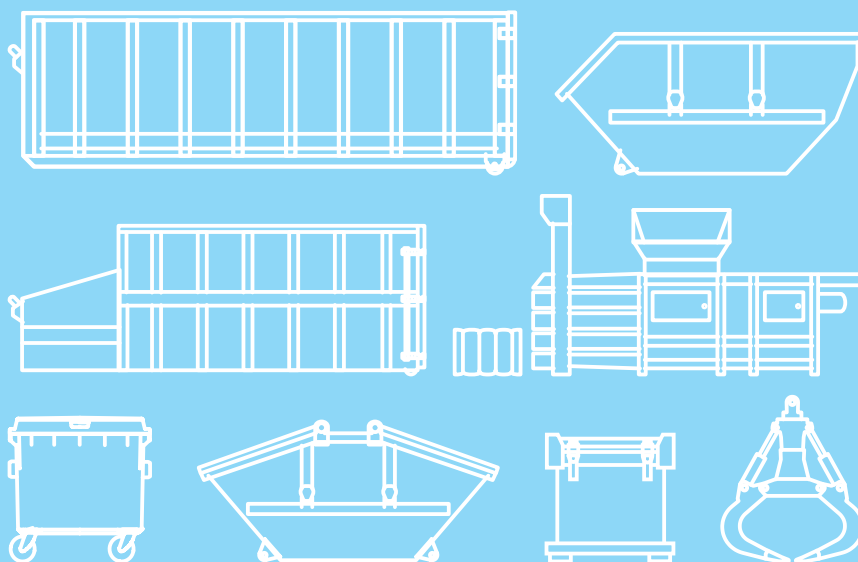


Rewald[®]

GmbH



Components for the Waste Industry Catalog 2024

Rewald Customer no.

Contents

Components for Roll-off, ISO & Platform Containers	6
Rollers	8
Polyamid rollers / Polyamid rollers for bolted mounting / Steel polyamide rollers / Steel rollers for bolted mounting / Solid rollers / Steel rollers / Rollers for stackable containers / Central rollers / Fire department rollers / Floor guards / Accessories / Shunting aids	
Hinges	22
Hinges for roll-off containers / for stackable roll-off containers / for lids	
Container doors	25
Container doors / Door chains / Accessories	
Container covers, tarpaulins & nets	26
Pivoting lid / Container covers / Tarpaulins / Nets / Tarpaulin hooks / Accessories	
Ladders	32
Steps / Accessories / Ladders / Folding steps / Folding ladders	
Lid hydraulics & jacks	36
Lid hydraulics with adapter for cordless drill / Lid hydraulics / Lid hydraulics with hoses / Accessories / Lid hydraulics in parts / Gas springs / Container wall jacks with gas spring / Container wall jacks / Container jacks / Accessories	
Locks, keys & anti theft devices	46
Locks / Keys / Anti theft & locking devices for roll-off containers / Repair plates	
Locking devices	48
Over centre door lock / Safety locks for lever bar / Door lock pins / Door locking hooks / Automatic locking system / Locking shafts / Locking levers / Door locking & ISO corner fittings for cargo & platform containers / C-locks / Latches type MARREL / Retainer pins / Over centre locks / Over centre lid locks / Systems for tailgates / Tailgate locks / Tailgate locks in parts / Accessories / Flap locks for platform containers / Bolt locks / Door & Tailgate locks	
Lifting bars	70
City lifting bars / Lifting bars / Lifting bar plates / Gusset plates / Guiding bar / Lifting bars complete / Hinged lifting bars / Exchangeable lifting bars / Heavy duty lifting bars / Container bumper / Wear gauge / Radius gauge / Chain guides / Rope pulleys / Rope hooks	
Cargo securing	82
Ratchet load binders / Container lashings / Lashing chains / Anti-slip mats / Lifting points / Load rings / Lashing eyes	
Ratchets & accessories	86
Ratchets / Clevises / Threaded eyes / Threaded rods	
Seals	88
Water outlet / Foam rubber seals / Rubber seals / Guide profiles	
Components for Skips & Waste Bins	90
Hinges	92
Hinges for flaps & lids / Rubber hinges for aluminum lid	
Lids & accessories	94
Rubber lids for skips / Steel lids for skips / Lid hinge bars / Spring bars / Anchoring plates / Pins / Handles / DURAFLEX lids & Lid hinge bar systems / Spring relief systems / Lid securing systems / Lid detents / Container wall jack / Opening aids / Gas springs	
Nets & tarpaulins	108
Tarpaulins / Nets / Rubber cords & accessories / Tarpaulin hooks / Crank handles	
Locking devices	111
Lid locking devices / Bolt locks / Tailgate locks / Eyebolts / Ring nuts / Over centre locks / Chains / Lid locking sheets / Retainer pins / Lid locking bars / Accessories	
Locks & keys	120
Triangular locks / Mounting plates / Locking latches / Locks & keys / Anti theft and locking devices	
Lifting lugs & tipping bar brackets	123
Lifting lugs / Tipping bar brackets / Triple tipping bar brackets / Lifting plug for underfloor containers / Set of forklift cradles	
Cargo securing	130
Ratchet load binders / Container lashings / Lashing chains / Anti-slip mats / Lifting points / Load rings / Repair plates	
Casters	134
Heavy duty casters / Swivel casters / Fixed casters / Wheels / Extended hub wheels	
Seals	138
Water outlets / Foam rubber seals / Rubber seals / Guide profiles	

Components for IBCs 140

Accessories for lids	142
Hinges for lids / Accessories / Lid detents / Lid support	
Locking mechanisms / Container bases	144
Over centre locks / Accessories / Locking mechanisms / Container bases	
Safety valves / Seals	148
Safety valves / Foam rubber seals / Sealing frames	

Components for Compactors 150

Type ALU-STAHl / Type ATRIK / Type AVERMANN	152
Slide profiles / Guide profiles	
Type BACHMANN / Type BERINGER / Type HAGEMANN	154
Slide profiles / Guide profiles / Scrapers / Hinged lifting bars	
Type HAUHINCO	158
Slide profiles / Guide profiles / Hinged lifting bars	
Type HUSMANN	160
Slide profiles / Pressing plates / Angle profiles / Guide profiles / Hinged lifting bars / Hydraulic cylinder / Rollers	
Type HÜFFERMANN / Type KLAUS / Type KNIERIM	170
Rollers / Hinged lifting bars / Angle profiles / Guide profiles / Slide profiles	
Type L+M LUDDEN + MENNEKES	173
Hinged lifting bars / Guide profiles / Slide profiles / Rollers	
Type LMS / Type NAU	176
Slide profiles / Guide profiles	
Type OTTO / Type RIES	177
Hinged lifting bars / Slide profiles	
Type TIEK / Type TOLLENSE	178
Hinged lifting bars / Guide profiles / Slide profiles / Catches / Scrapers	
Type WAGNER	182
Hinged lifting bars / Track rollers / Guide profiles / Filter cartridges	
Type WERNER & WEBER	185
Hinged lifting bars / Steel rollers / Slide profiles / Guide profiles	
Door locking systems & accessories	187
Door locking system / Tailgate locks / Accessories / Eyebolts/ Ring nuts / Gas springs	
Ratchets & accessories	192
Ratchets / Clevises / Threaded eyes / Threaded rods	
Locks, keys & anti theft devices	194
Locks / Keys / Anti theft & locking devices for roll-off containers / Repair sheets	
Accessories	196
Retaining sprockets & scrapers / Plastic sheets / Seals / Exchangeable lifting bars / Wear gauge / Shunting aids	

Components for Balers 200

Type PAAL	202
Track rollers / Bolts / Bearings / Pressure plate blades / Wear plates / Scrapers / Guides / Bottom wear plates / Counter plates / Guide rails / Accessories / Twisting hooks / Link bolts / Wire cutting blades / Chains / Wire drawing needles / Mounts for rollers / Wire guide rollers / Conveyor rollers / Bumper / Filters	
Type BOA	230
Wire drawing needles / Wire guide rollers / Mounts for rollers / Twisting hooks / Blades	
Type BOLLEGRAAF	232
Wire drawing needles / Wire guide rollers / Mounts for rollers / Slide profiles / Blades / Twisting hooks / Track rollers	
Type EUROPRESS	235
Sprockets / Bushings / Wire guide rollers / Blades	
Type HSM	237
Slide profiles	

Type MACPRESSE EUROPA 238

Wire drawing needles / Wire guide rollers / Mounts for rollers / Twisting hooks / Blades / Track rollers

Type PRESONA 242

Wire drawing needles / Wire guide rollers / Twisting hooks

Components for Grabs 244

Type ATLAS / Type HGT 246

Bushings / Bolts

Type KINTEC / Type LIEBHERR 248

Bushings / Bolts / Grab tips

Type TEREX-FUCHS 250

Bushings / Bolts

Type TEREX-O&K / Type SBL 252

Bushings / Bolts / Grab tips

Grab suspensions 254

Grab suspensions / Bushings / Bolts

Stickers & Chevron Markings 258

Stickers / Chevron markings 260

Inspection stickers / Base stickers / Type label aluminum stickers & plates / Safety stickers / Chevron markings / Magnetic foil / Chevron markings for vehicles

Forms & Contact 269

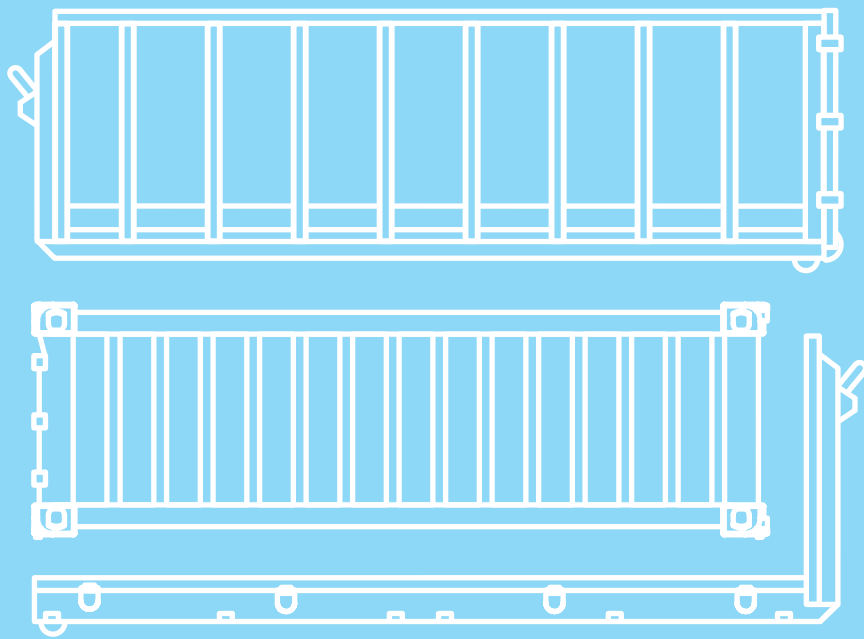
Forms & contact 269

Custom order form / Order form / General Terms & Conditions REWALD GmbH



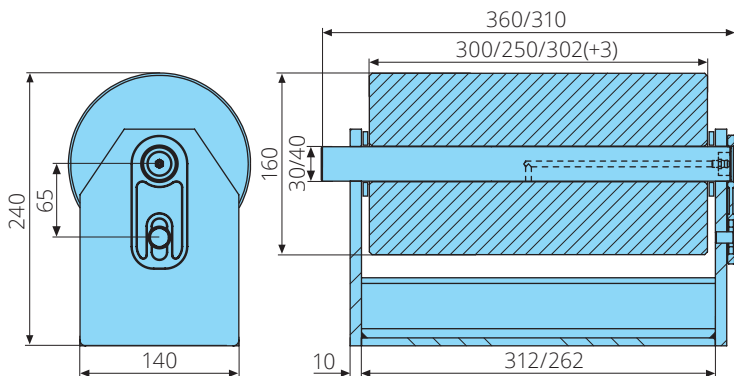
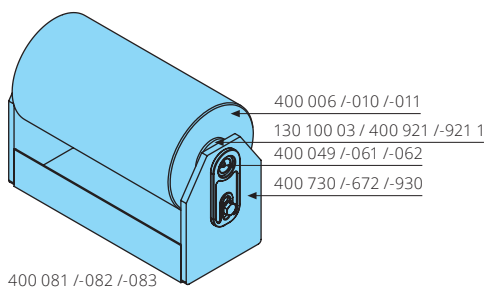
www.rewald.eu





Components for Roll-off, ISO & Platform Containers

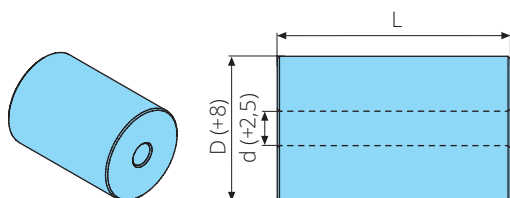
Polyamid rollers



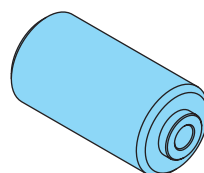
Article no.	Product	Description
400 081	Polyamid roller complete	31-160-300mm, H=240mm, with lubrication, with 2 spacers 130 100 03
400 006	Polyamide roller	31-160-300mm
400 049	Axle for polyamide roller	30x360mm, with lubrication & safety catch, S355J2
400 730	Bracket for roller	d=31mm, for H=240mm, l=312mm, side plate t=10mm
130 100 03	Washer	31-56-4mm, galvanized, ISO 7090, 200 HV

Article no.	Product	Description
400 082	Polyamid roller complete	41-160-250mm, H=240mm, with lubrication, with 2 spacers 400 921
400 010	Polyamide roller	41-160-250mm
400 061	Axle for polyamide roller	40x310mm, with lubrication & safety catch, S355J2
400 672	Bracket for roller	d=41mm, for H=240mm, l=262mm, side plate t=15mm
400 921	Spacer	41-57(+3)-4mm

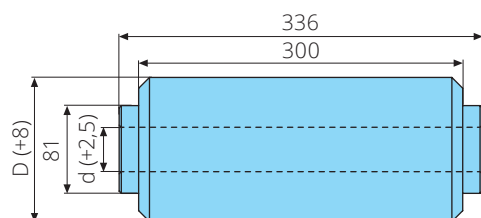
Article no.	Product	Description
400 083	Polyamid roller complete	41-160-302(+3)mm, H=240mm, with lubrication, with 2 spacers 400 921
400 011	Polyamide roller	41-160-302(+3)mm
400 062	Axle for polyamide roller	40x360mm, with lubrication & safety catch, S355J2
400 930	Bracket for roller	d=41mm, for H=240mm, l=312mm, side plate t=15mm
400 921 1	Washer	41(+2)-57(+3)-2mm



400 001 /-000 /-020 /-021 /-017 /-002 /-003 /-015 /-004 /-005 /-006
400 018 /-019 /-007 /-008 /-016 /-009 /-010 /-011 /-013 /-022 /-014

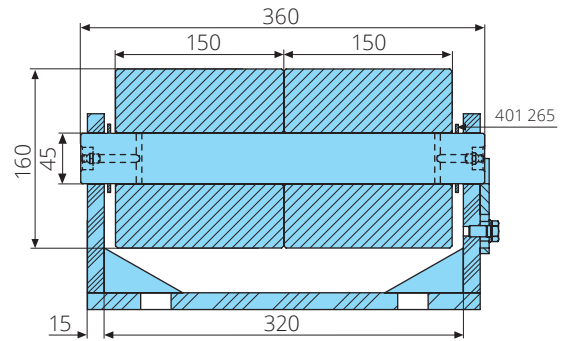
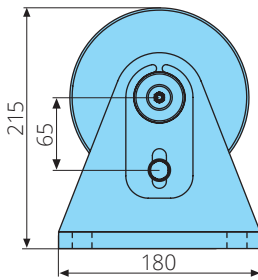
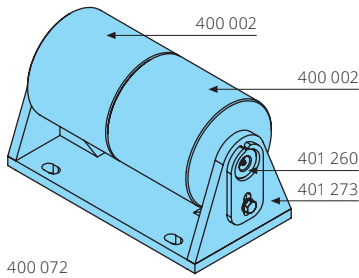
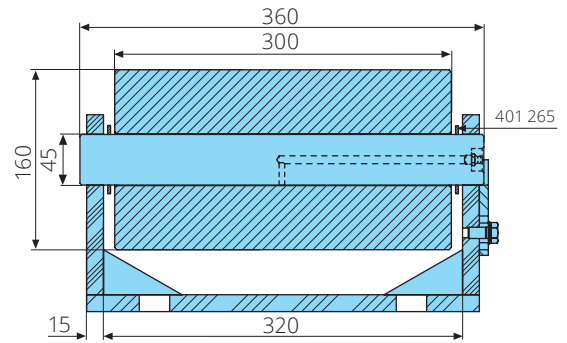
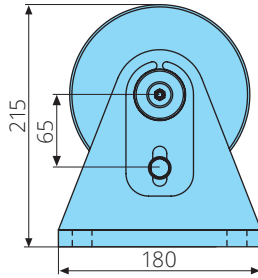
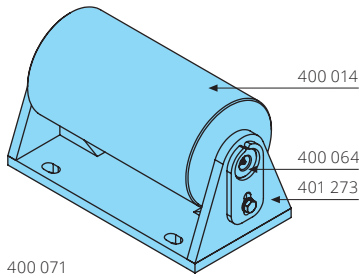


400 001 01 /-011 01



Article no.	Product	Description
400 001	Polyamide roller	31-130-180mm
400 000	Polyamide roller	31-130-210mm
400 020	Polyamide roller	31-150-150mm
400 021	Polyamide roller	31-150-250mm
400 002	Polyamide roller	31-160-120mm
400 003	Polyamide roller	31-160-150mm
400 015	Polyamide roller	31-160-170mm
400 004	Polyamide roller	31-160-200mm
400 005	Polyamide roller	31-160-250mm
400 006	Polyamide roller	31-160-300mm
400 018	Polyamide roller	36-160-300mm
400 001 01	Polyamide roller	41-133-300/336mm, step on both sides
400 007	Polyamide roller	41-160-120mm
400 008	Polyamide roller	41-160-150mm
400 016	Polyamide roller	41-160-170mm
400 009	Polyamide roller	41-160-200mm
400 010	Polyamide roller	41-160-250mm
400 011	Polyamide roller	41-160-302(+3)mm
400 011 01	Polyamide roller	41-160-300/336mm, step on both sides
400 013	Polyamide roller	41-200-300mm
400 022	Polyamide roller	46-160-150mm
400 014	Polyamide roller	46-160-300mm

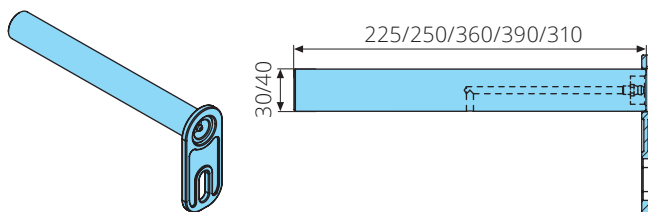
Polyamide rollers for bolted mounting



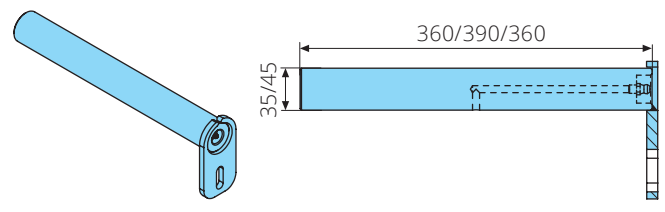
Article no.	Product	Description
400 071	Polyamide roller complete for bolted mounting	45-160-300mm, H=215mm, with lubrication
400 014	Polyamide roller	46-160-300mm
400 064	Axle for polyamide roller	45x360mm, with lubrication & safety catch, S355J2
401 273	Bracket for roller	d=46mm, for H=215mm, l=320mm, side plate t=15mm, for bolted mounting
401 265	Spacer	46-60-3mm

Article no.	Product	Description
400 072	Polyamide roller complete for bolted mounting	45-160-300mm, H=215mm, with lubrication, roller divided
400 022	Polyamide roller	46-160-150mm
401 260	Axle	45x360mm, with lubrication & safety catch, S355J2
401 273	Bracket for roller	d=46mm, for H=215mm, l=320mm, side plate t=15mm, for bolted mounting
401 265	Spacer	46-60-3mm

Axles for polyamide rollers



400 047 /-048 /-049 /-050
400 057 /-061 /-062 /-060



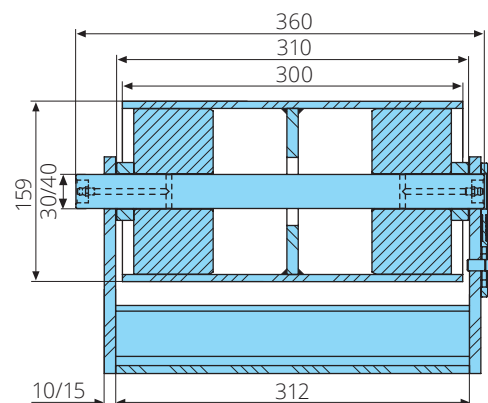
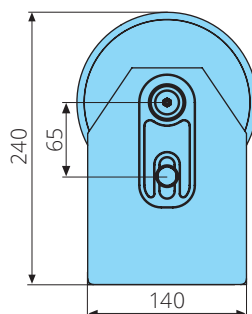
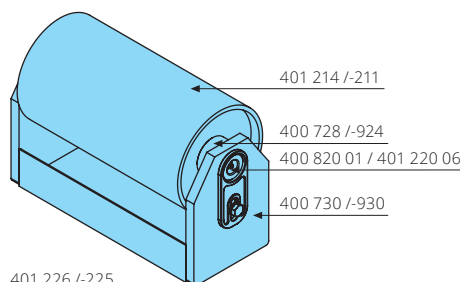
400 056 /-055 /-064 /-065

Article no.	Product	Description
400 047	Axle for polyamide roller	30x225mm, with lubrication & safety catch, S355J2
400 048	Axle for polyamide roller	30x250mm, with lubrication & safety catch, S355J2
400 049	Axle for polyamide roller	30x360mm, with lubrication & safety catch, S355J2
400 050	Axle for polyamide roller	30x390mm, with lubrication & safety catch, S355J2
400 056	Axle for polyamide roller	35x180mm, with lubrication & safety catch, S355J2
400 055	Axle for polyamide roller	35x390mm, with lubrication & safety catch, S355J2
400 057	Axle for polyamide roller	40x225mm, with lubrication & safety catch, S355J2
400 061	Axle for polyamide roller	40x310mm, with lubrication & safety catch, S355J2
400 062	Axle for polyamide roller	40x360mm, with lubrication & safety catch, S355J2
400 060	Axle for polyamide roller	40x390mm, with lubrication & safety catch, S355J2
400 064	Axle for polyamide roller	45x360mm, with lubrication & safety catch, S355J2
400 065	Axle for polyamide roller	45x390mm, with lubrication & safety catch, S355J2

Steel polyamide rollers

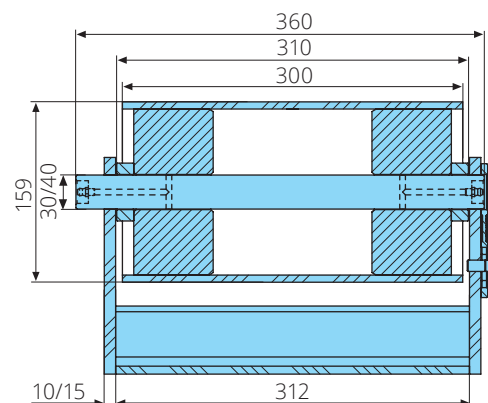
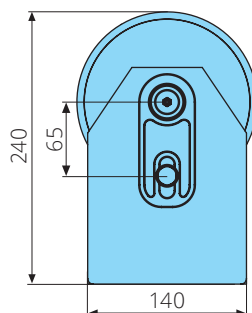
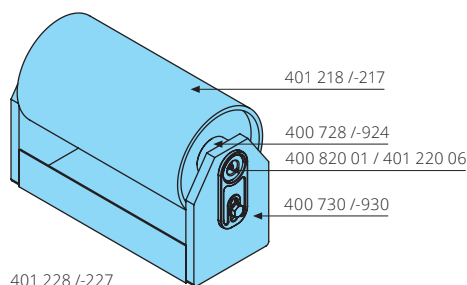
- more stable due to the additional center disk
- less damage to the surface

Utility model DE 20 2012 004 394.3



Article no.	Product	Description
401 226	Steel polyamide roller complete	30-159-300/310mm, H=240mm, lubrication, with 2 shaft spacers 400 728
401 214	Steel polyamide roller	30-159-300/310mm, primed, with 2 shaft spacers 400 728
400 820 01	Axle	30x360mm, with lubrication & safety catch, S355J2
400 730	Bracket for roller	d=31mm, for H=240mm, l=312mm, side plate t=10mm
400 728	Axle spacer	31-51-15mm

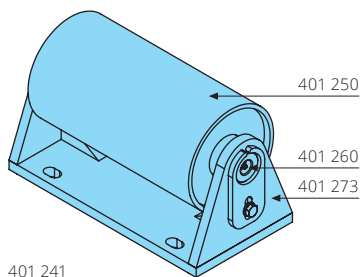
Article no.	Product	Description
401 225	Steel polyamide roller complete	40-159-300/310mm, H=240mm, lubrication, with 2 shaft spacers 400 924
401 211	Steel polyamide roller	40-159-300/310mm, primed, with 2 shaft spacers 400 924
401 220 06	Axle	40x360mm, with lubrication & safety catch, S355J2
400 930	Bracket for roller	d=41mm, for H=240mm, l=312mm, side plate t=15mm
400 924	Axle spacer	41(+2)-57(+3)-20mm



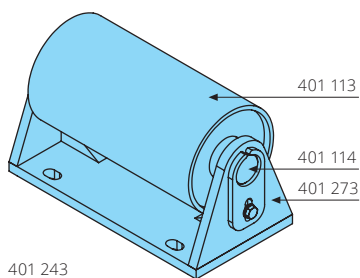
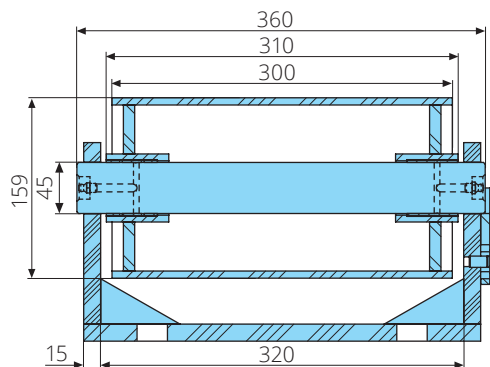
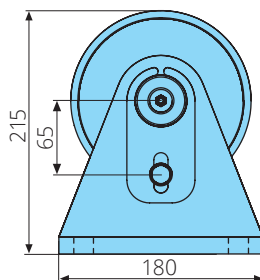
Article no.	Product	Description
401 228	Steel polyamide roller complete	30-159-300/310mm, H=240mm, lubrication, with 2 shaft spacers 400 728
401 218	Steel polyamide roller	30-159-300/310mm, primed, with 2 shaft spacers 400 728
400 820 01	Axle	30x360mm, with lubrication & safety catch, S355J2
400 730	Bracket for roller	d=31mm, for H=240mm, l=312mm, side plate t=10mm
400 728	Axle spacer	31-51-15mm

Article no.	Product	Description
401 227	Steel polyamide roller complete	40-159-300/310mm, H=240mm, lubrication, with 2 shaft spacers 400 924
401 217	Steel polyamide roller	40-159-300/310mm, primed, with 2 shaft spacers 400 924
401 220 06	Axle	40x360mm, with lubrication & safety catch, S355J2
400 930	Bracket for roller	d=41mm, for H=240mm, l=312mm, side plate t=15mm
400 924	Axle spacer	41(+2)-57(+3)-20mm

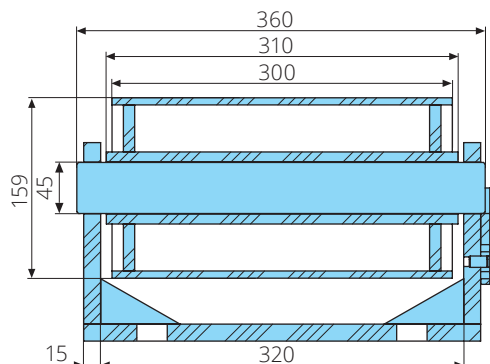
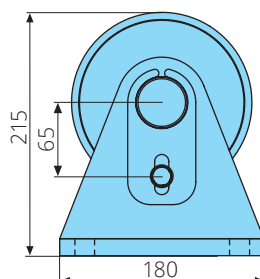
Steel rollers for bolted mounting



401 241



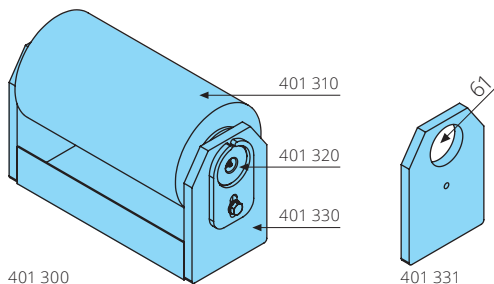
401 243



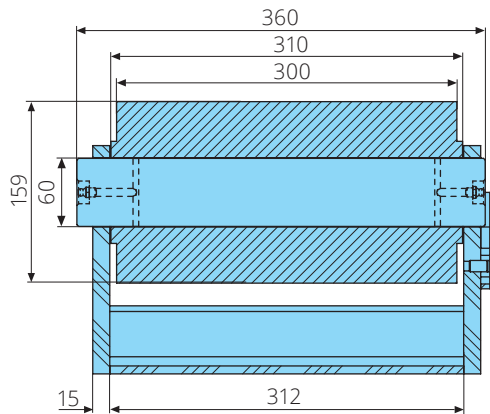
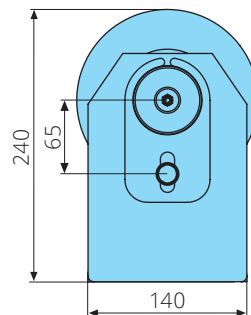
Article no.	Product	Description
401 241	Steel roller complete	45-159-300/310mm, H=215mm, with lubrication, brass bushing, for bolted mounting
401 250	Steel roller	45-159-300/310mm, brass bushing
401 260	Axle	45x360mm, with lubrication & safety catch, S355J2
401 273	Bracket for roller	d=46mm, for H=215mm, l=320mm, side plate t=15mm, for bolted mounting

Article no.	Product	Description
401 243	Steel roller complete	45-159-300/310mm, H=215mm, full sleeve tubing, for bolted mounting
401 113	Steel roller	45-159-300/310mm, full sleeve tubing
401 114	Axle	45x360mm, with safety catch, S355J2
401 273	Bracket for roller	d=46mm, for H=215mm, l=320mm, side plate t=15mm, for bolted mounting

Solid rollers

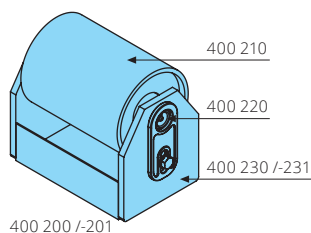


401 300



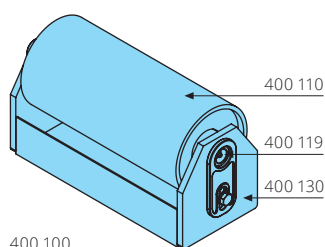
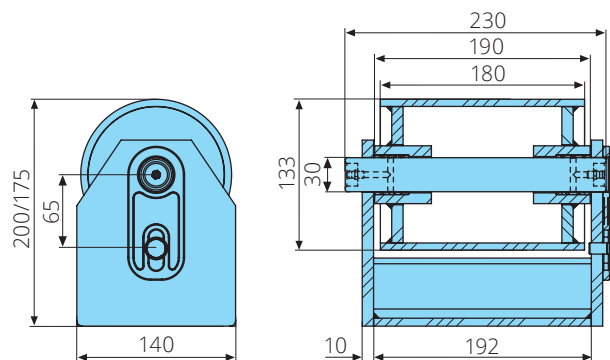
Article no.	Product	Description
401 300	Solid roller complete	60-159-300/310mm, H=240mm, lubrication
401 310	Solid roller	60-159-300/310mm
401 320	Axle	60x360mm, with lubrication & safety catch, hardened, 42CrMo4
401 330	Bracket for roller	d=61mm, for H=240mm, l=312mm, side plate t=15mm
401 331	Side plates for roller brackets	d=61mm, t=15mm

City rollers / ACTS rollers



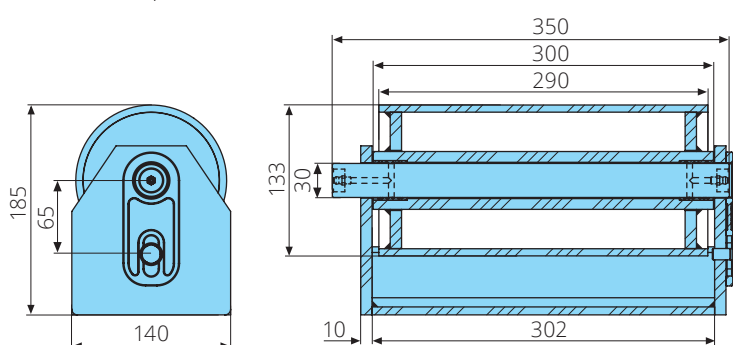
400 200 /-201

Article no.	Product	Description
400 200	City roller complete	30-133-180/190mm, H=200mm, lubrication, brass bushing
400 201	City roller complete	30-133-180/190mm, H=175mm, lubrication, brass bushing
400 210	City roller	30-133-180/190mm, brass bushing
400 220	Axle	30x230mm, with lubrication & safety catch, S355J2
400 230	Bracket for roller	d=31mm, for H=200mm, l=192mm, side plate t=10mm
400 231	Bracket for roller	d=31mm, for H=175mm, l=192mm, side plate t=10mm

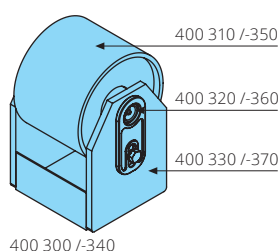


400 100

Article no.	Product	Description
400 100	ACTS roller complete	30-133-290/300mm, H=185mm, lubrication, full sleeve tubing, brass bushing
400 110	ACTS roller	30-133-290/300mm, full sleeve tubing, brass bushing
400 119	Axle	30x350mm, with lubrication & safety catch, S355J2
400 130	Bracket for roller	d=31mm, for H=185mm, l=302mm, side plate t=10mm



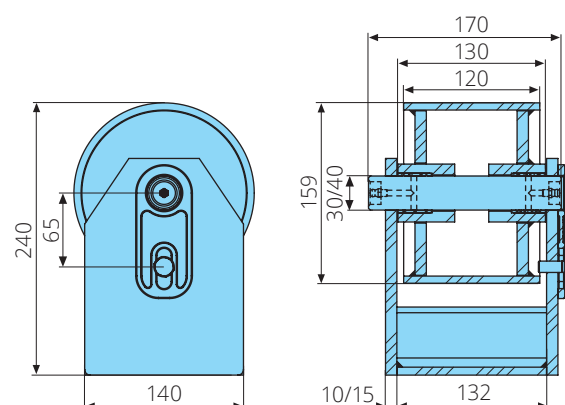
Steel rollers



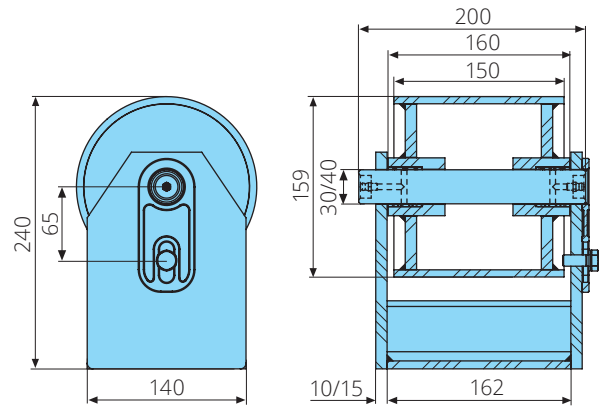
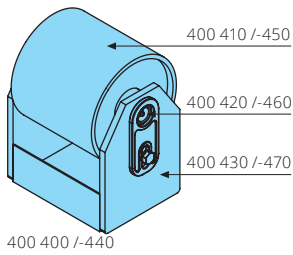
400 300 /-340

Article no.	Product	Description
400 300	Steel roller complete	30-159-120/130mm, H=240mm, lubrication, brass bushing
400 310	Steel roller	30-159-120/130mm, brass bushing
400 320	Axle	30x170mm, with lubrication & safety catch, S355J2
400 330	Bracket for roller	d=31mm, for H=240mm, l=132mm, side plate t=10mm
400 331	Bracket for roller	d=31mm, for H=200mm, l=132mm, side plate t=10mm

Article no.	Product	Description
400 340	Steel roller complete	40-159-120/130mm, H=240mm, lubrication, brass bushing
400 350	Steel roller	40-159-120/130mm, brass bushing
400 360	Axle	40x170mm, with lubrication & safety catch, S355J2
400 370	Bracket for roller	d=41mm, for H=240mm, l=132mm, side plate t=15mm

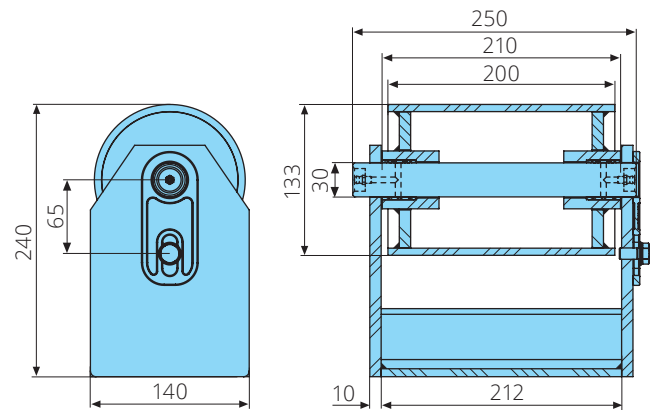
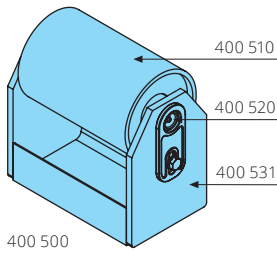


Steel rollers

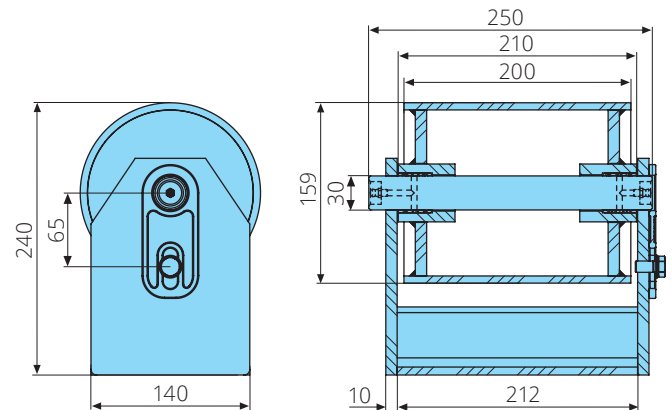
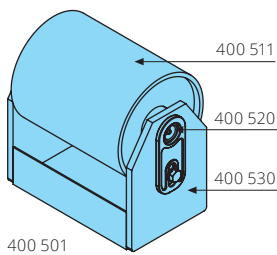


Article no.	Product	Description
400 400	Steel roller complete	30-159-150/160mm, H=240mm, lubrication, brass bushing
400 410	Steel roller	30-159-150/160mm, brass bushing
400 420	Axle	30x200mm, with lubrication & safety catch, S355J2
400 430	Bracket for roller	d=31mm, for H=240mm, l=162mm, side plate t=10mm
400 431	Bracket for roller	d=31mm, for H=220mm, l=162mm, side plate t=10mm

Article no.	Product	Description
400 440	Steel roller complete	40-159-150/160mm, H=240mm, lubrication, brass bushing
400 450	Steel roller	40-159-150/160mm, brass bushing
400 460	Axle	40x220mm, with lubrication & safety catch, S355J2
400 470	Bracket for roller	d=41mm, for H=240mm, l=162mm, side plate t=15mm

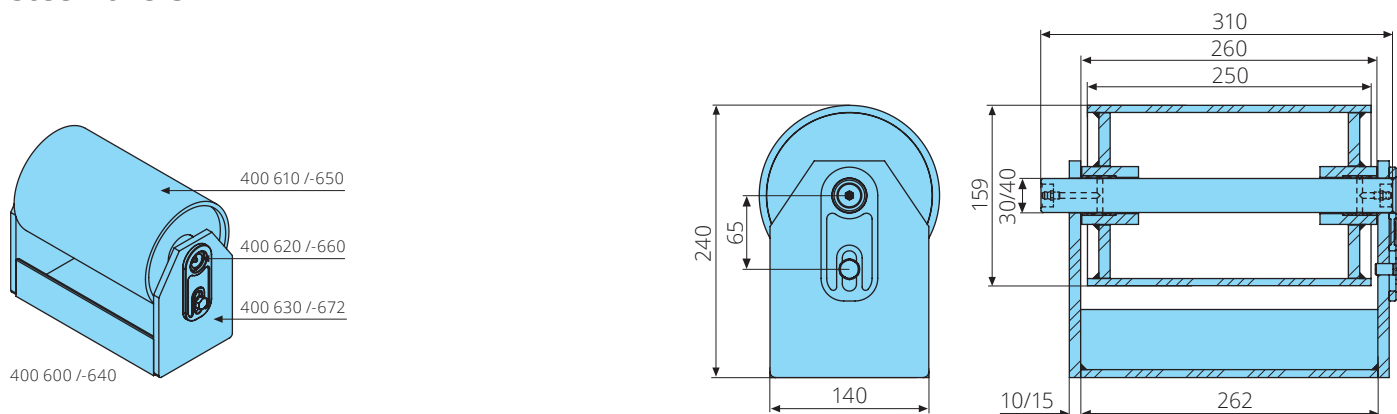


Article no.	Product	Description
400 500	Steel roller complete	30-133-200/210mm, H=240mm, lubrication, brass bushing
400 510	Steel roller	30-133-200/210mm, brass bushing
400 520	Axle	30x250mm, with lubrication & safety catch, S355J2
400 531	Bracket for roller	d=31mm, for H=240mm, l=212mm, side plate t=10mm



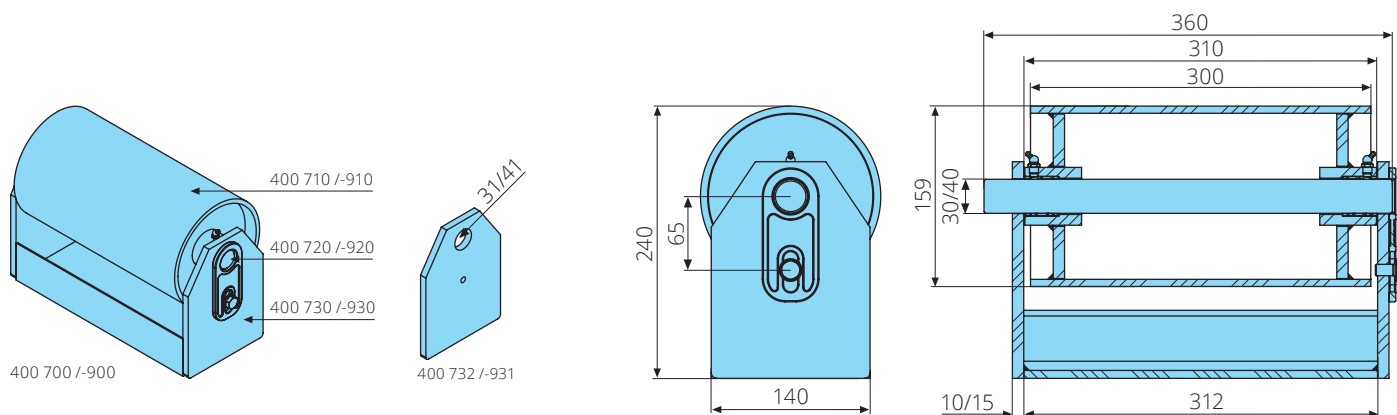
Article no.	Product	Description
400 501	Steel roller complete	30-159-200/210mm, H=240mm, lubrication, brass bushing
400 511	Steel roller	30-159-200/210mm, brass bushing
400 520	Axle	30x250mm, with lubrication & safety catch, S355J2
400 522	Axle	30x255mm, with safety catch, S355J2
400 530	Bracket for roller	d=31mm, for H=240mm, l=212mm, side plate t=10mm

Steel rollers



Article no.	Product	Description
400 600	Steel roller complete	30-159-250/260mm, H=240mm, lubrication, brass bushing
400 610	Steel roller	30-159-250/260mm, brass bushing
400 620	Axle	30x310mm, with lubrication & safety catch, S355J2
400 630	Bracket for roller	d=31mm, for H=240mm, l=262mm, side plate t=10mm

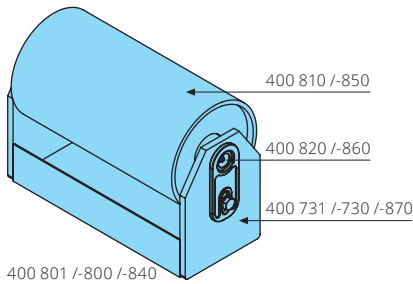
Article no.	Product	Description
400 640	Steel roller complete	40-159-250/260mm, H=240mm, lubrication, brass bushing
400 650	Steel roller	40-159-250/260mm, brass bushing
400 660	Axle	40x310mm, with lubrication & safety catch, S355J2
400 672	Bracket for roller	d=41mm, for H=240mm, l=262mm, side plate t=15mm



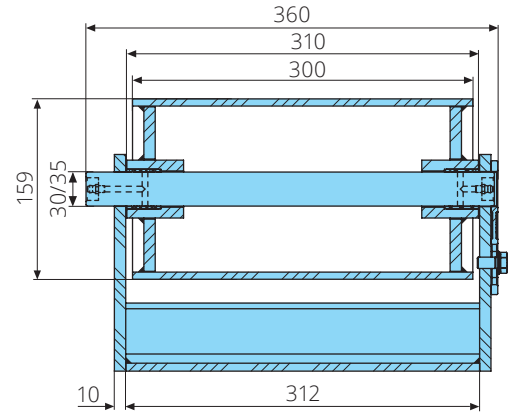
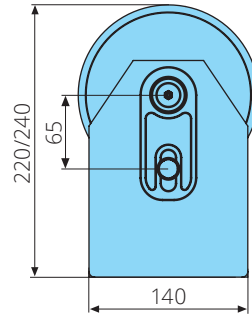
Article no.	Product	Description
400 700	Steel roller complete	30-159-300/310mm, H=240mm, bushing lubrication, brass bushing
400 710	Steel roller	30-159-300/310mm, bushing lubrication, brass bushing
400 720	Axle	30x360mm, with safety catch, S355J2
400 729	Axle	30x390mm, with safety catch, S355J2
400 722	Axle	30x420mm, with safety catch, S355J2
400 723	Axle	30x460mm, with safety catch, S355J2
400 730	Bracket for roller	d=31mm, for H=240mm, l=312mm, side plate t=10mm
400 732	Side plates for roller brackets	d=31mm, t=10mm

Article no.	Product	Description
400 900	Steel roller complete	40-159-300/310mm, H=240mm, bushing lubrication, brass bushing
400 910	Steel roller	40-159-300/310mm, bushing lubrication, brass bushing
400 920	Axle	40x360mm, with safety catch, S355J2
400 922	Axle	40x390mm, with safety catch, S355J2
400 930	Bracket for roller	d=41mm, for H=240mm, l=312mm, side plate t=15mm
400 931	Side plates for roller brackets	d=41mm, t=15mm

Steel rollers

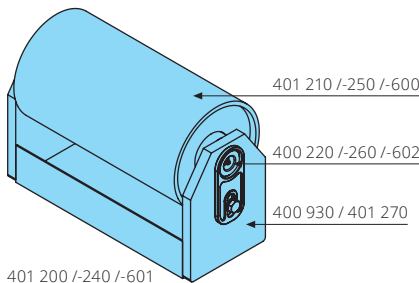


400 801 /-800 /-840

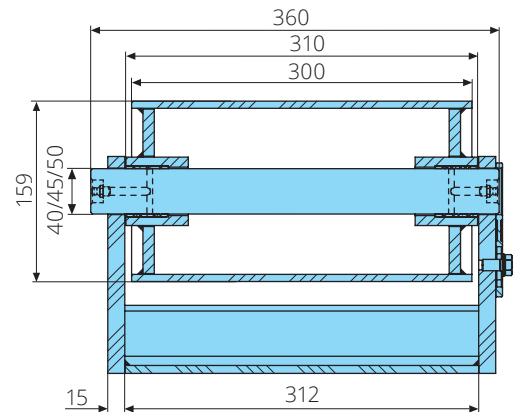
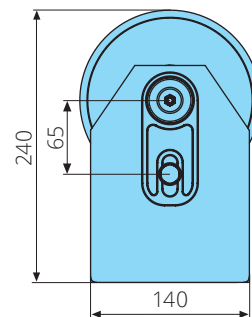
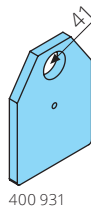


Article no.	Product	Description
400 801	Steel roller complete	30-159-300/310mm, H=220mm, lubrication, brass bushing
400 800	Steel roller complete	30-159-300/310mm, H=240mm, lubrication, brass bushing
400 810	Steel roller	30-159-300/310mm, brass bushing
400 820	Axle	30x360mm, with lubrication & safety catch, S355J2
400 821	Axle	30x390mm, with lubrication & safety catch, S355J2
400 822	Axle	30x460mm, with lubrication & safety catch, S355J2
400 731	Bracket for roller	d=31mm, for H=220mm, l=312mm, side plate t=10mm
400 730	Bracket for roller	d=31mm, for H=240mm, l=312mm, side plate t=10mm

Article no.	Product	Description
400 840	Steel roller complete	35-159-300/310mm, H=240mm, lubrication, brass bushing
400 850	Steel roller	35-159-300/310mm, brass bushing
400 851	Steel roller	35-159-300/310mm, brass bushing, full sleeve tubing
400 860	Axle	35x360mm, with lubrication & safety catch, S355J2
400 865	Axle	35x390mm, with lubrication & safety catch, S355J2
400 870	Bracket for roller	d=36mm, for H=240mm, l=312mm, side plate t=10mm



401 200 /-240 /-601

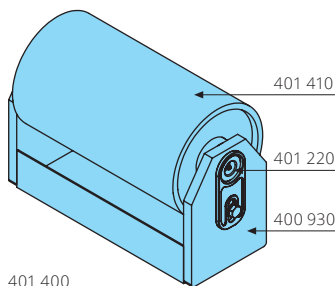


Article no.	Product	Description
401 200	Steel roller complete	40-159-300/310mm, H=240mm, lubrication, brass bushing
401 210	Steel roller	40-159-300/310mm, brass bushing
401 220	Axle	40x360mm, with lubrication & safety catch, S355J2
401 221	Axle	40x390mm, with extended lubrication & safety catch, S355J2
400 930	Bracket for roller	d=41mm, for H=240mm, l=312mm, side plate t=15mm
400 931	Side plates for roller brackets	d=41mm, t=15mm

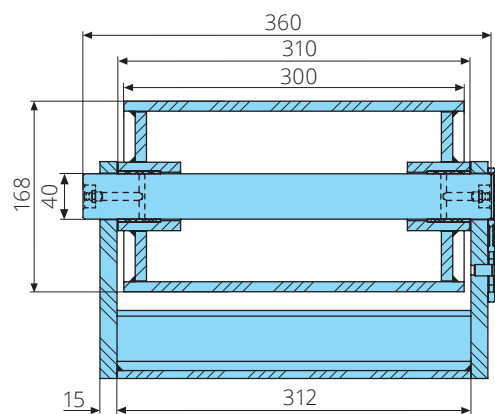
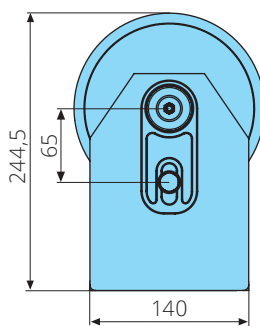
Article no.	Product	Description
401 240	Steel roller complete	45-159-300/310mm, H=240mm, lubrication, brass bushing
401 250	Steel roller	45-159-300/310mm, brass bushing
401 260	Axle	45x360mm, with lubrication & safety catch, S355J2
401 262	Axle	45x390mm, with lubrication & safety catch, S355J2
401 270	Bracket for roller	d=46mm, for H=240mm, l=312mm, side plate t=15mm

Article no.	Product	Description
401 601	Steel roller complete	50-159-300/310mm, H=240mm, lubrication, brass bushing
401 600	Steel roller	50-159-300/310mm, brass bushing
401 602	Axle	50x360mm, with lubrication & safety catch, S355J2
401 602 02	Axle	50x390mm, with lubrication & safety catch, S355J2

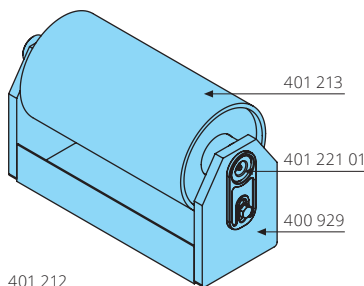
Steel rollers



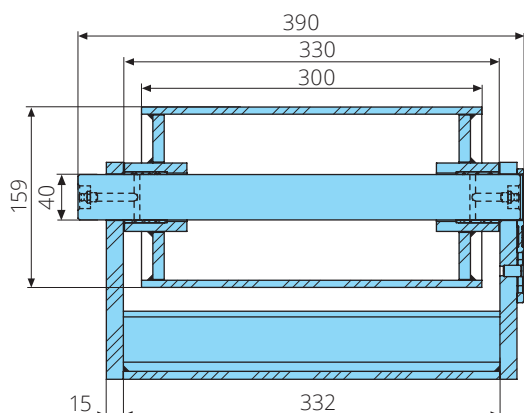
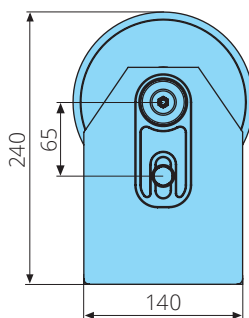
401 400



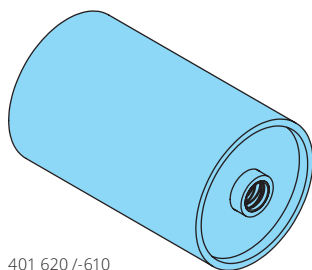
Article no.	Product	Description
401 400	Steel roller complete	40-168-300/310mm, H=244,5mm, lubrication, brass bushing
401 410	Steel roller	40-168-300/310mm, brass bushing
401 220	Axle	40x360mm, with lubrication & safety catch, S355J2
400 930	Bracket for roller	d=41mm, for H=240mm, l=312mm, side plate t=15mm



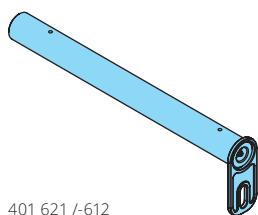
401 212



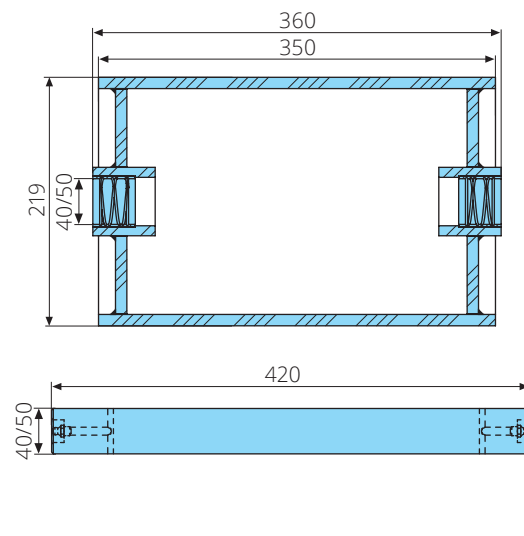
Article no.	Product	Description
401 212	Steel roller complete	40-159-300/330mm, H=240mm, lubrication, brass bushing
401 213	Steel roller	40-159-300/330mm, brass bushing
401 221 01	Axle	40x390mm, with lubrication & safety catch, S355J2
400 929	Bracket for roller	d=41mm, for H=240mm, l=332mm, side plate t=15mm



401 620 /-610

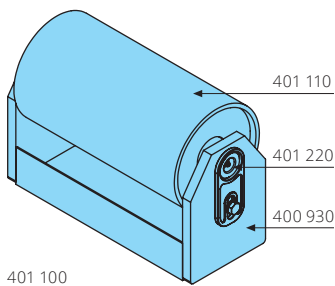


401 621 /-612

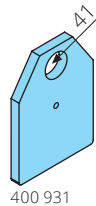


Article no.	Product	Description
401 620	Steel roller	40-219-350/390mm, brass bushing
401 621	Axle	30x295mm, with lubrication & safety catch, S355J2
Article no.	Product	Description
401 610	Steel roller	50-219-350/360mm, brass bushing
401 612	Axle	50x360mm, with lubrication & safety catch, S355J2

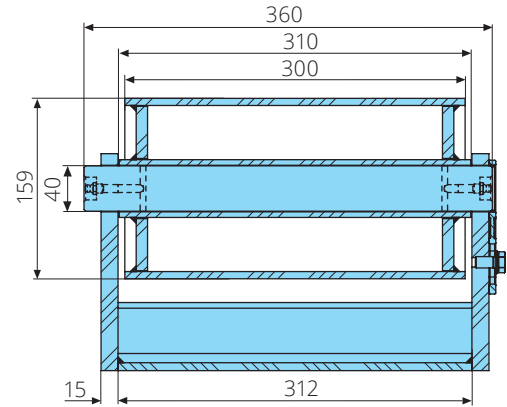
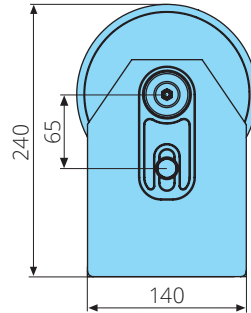
Steel rollers with full sleeve tubing



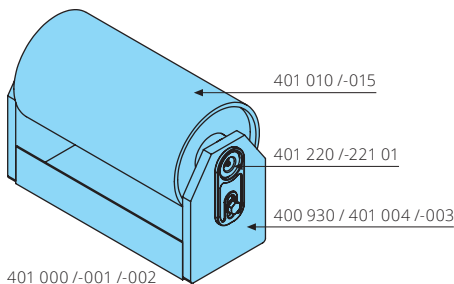
401 100



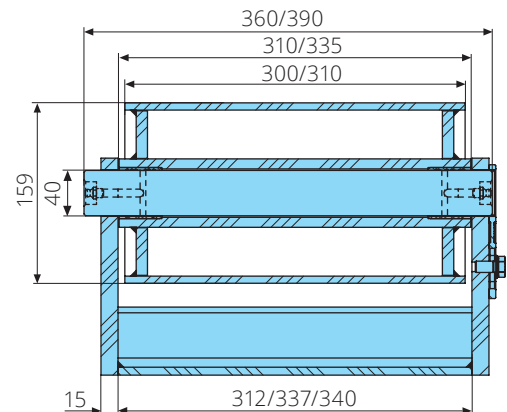
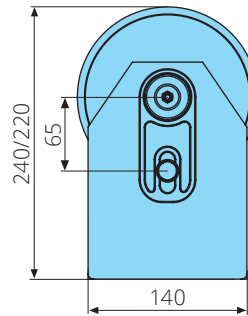
400 931



Article no.	Product	Description
401 100	Steel roller complete	40-159-300/310mm, H=240mm, full sleeve tubing, lubrication
401 110	Steel roller	40-159-300/310mm, full sleeve tubing
401 011	Steel roller	40-159-300/310mm, full sleeve tubing, side disc t=16mm, tread t=10mm
401 220	Axle	40x360mm, with lubrication & safety catch, S355J2
400 930	Bracket for roller	d=41mm, for H=240mm, l=312mm, side plate t=15mm
400 931	Side plates for roller brackets	d=41mm, t=15mm

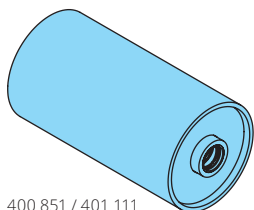


401 000 /-001 /-002



Article no.	Product	Description
401 000	Steel roller complete	40-159-300/310mm, H=240mm, full sleeve tubing, lubrication, brass bushing
401 010	Steel roller	40-159-300/310mm, full sleeve tubing, brass bushing
401 220	Axle	40x360mm, with lubrication & safety catch, S355J2
400 930	Bracket for roller	d=41mm, for H=240mm, l=312mm, side plate t=15mm

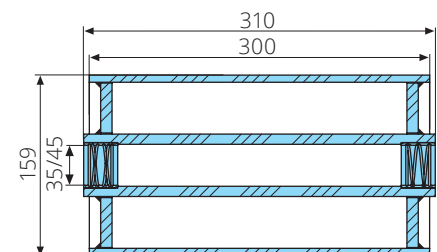
Article no.	Product	Description
401 001	Steel roller complete	40-159-310/335mm, H=220mm, full sleeve tubing, lubrication, brass bushing
401 002	Steel roller complete	40-159-310/335mm, H=240mm, full sleeve tubing, lubrication, brass bushing
401 015	Steel roller	40-159-310/335mm, full sleeve tubing, brass bushing
401 221 01	Axle	40x390mm, with lubrication & safety catch, S355J2
401 004	Bracket for roller	d=41mm, for H=240mm, l=337mm, side plate t=15mm
401 003	Bracket for roller	d=41mm, for H=240mm, l=340mm, side plate t=15mm



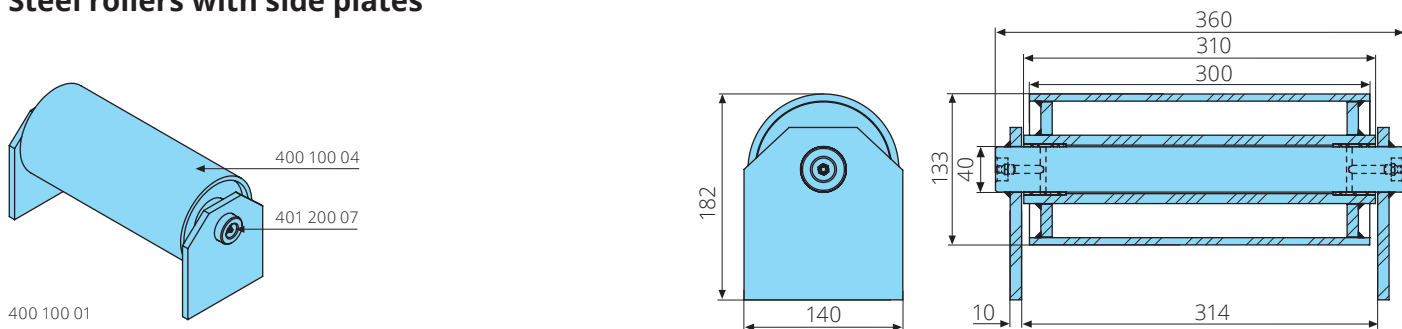
400 851 / 401 111

Article no.	Product	Description
400 851	Steel roller	35-159-300/310mm, brass bushing, full sleeve tubing
400 860	Axle	35x360mm, with lubrication & safety catch, S355J2
400 870	Bracket for roller	d=36mm, for H=240mm, l=312mm, side plate t=10mm

Article no.	Product	Description
401 111	Steel roller	40-159-300/310mm, full sleeve tubing, brass bushing
401 260	Axle	45x360mm, with lubrication & safety catch, S355J2
401 270	Bracket for roller	d=46mm, for H=240mm, l=312mm, side plate t=15mm

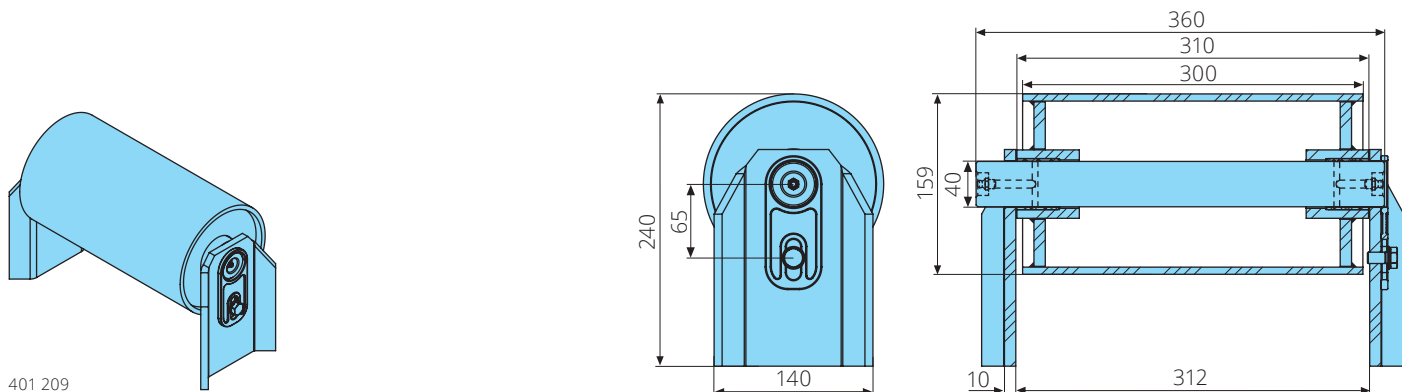


Steel rollers with side plates



400 100 01

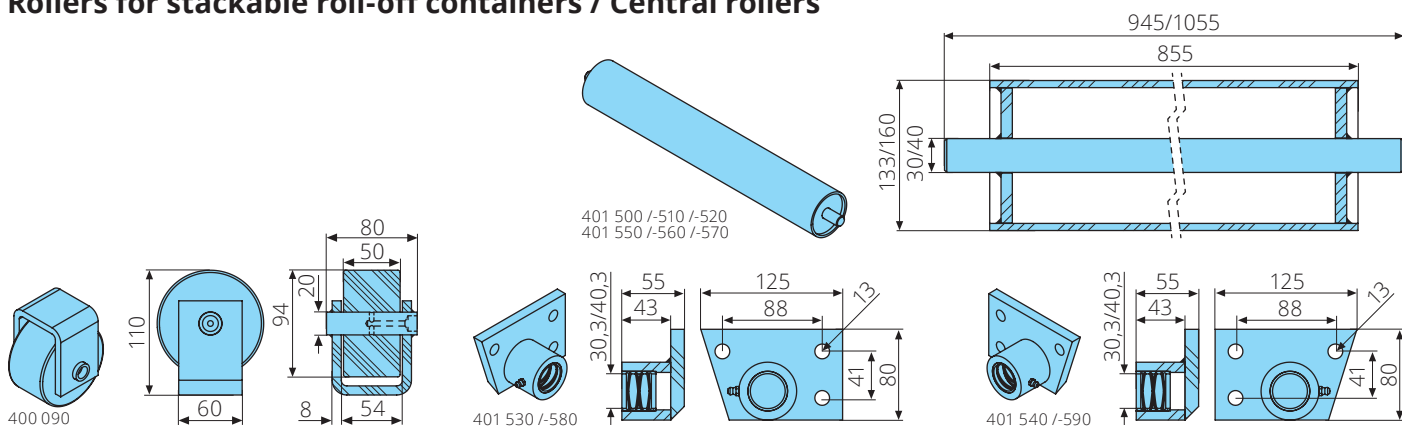
Article no.	Product	Description
400 100 01	Steel roller complete	40-133-300/310mm, H=182mm, lubrication, full sleeve tubing, brass bushing
400 100 04	Steel roller	30-133-300/310mm, full sleeve tubing, brass bushing
401 200 07	Axle	40x360mm, mit Schmierung, S355J2



401 209

Article no.	Product	Description
401 209	Steel roller complete	40-159-300/310mm, H=240mm, lubrication, brass bushing

Rollers for stackable roll-off containers / Central rollers



400 090

401 500 /-510 /-520
401 550 /-560 /-570

401 530 /-580

401 540 /-590

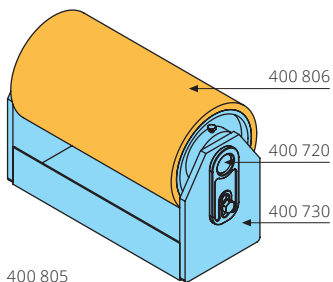
Article no.	Product	Description
400 090	Roller complete for stackable roll-off containers	20-94-50/80mmmm, H=110mm, with lubrication

Article no.	Product	Description
401 500	Central roller	30-133-855/945mm
401 510	Central roller	30-160-855/945mm
401 520	Central roller	30-160-855/1055mm
401 530	Bearing for central roller	d=30,3mm, left, for central roller, lubrication, brass bushing
401 540	Bearing for central roller	d=30,3mm, right, for central roller, lubrication, brass bushing

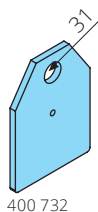
Article no.	Product	Description
401 550	Central roller	40-133-855/945mm
401 560	Central roller	40-160-855/945mm
401 570	Central roller	40-160-855/1055mm
401 580	Bearing for central roller	d=40,3mm, left, for central roller, lubrication, brass bushing
401 590	Bearing for central roller	d=40,3mm, right, for central roller, lubrication, brass bushing

Fire department rollers

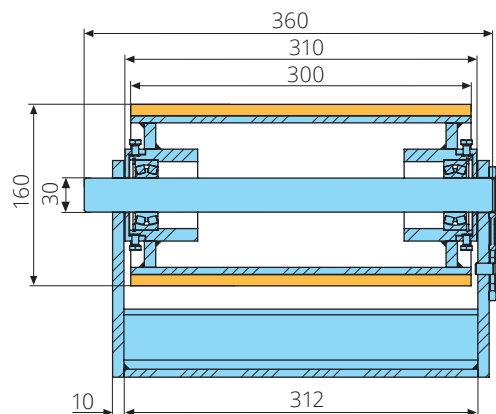
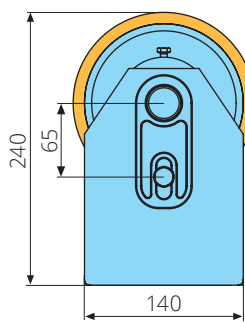
The fire department roller **400 806** can only be ordered together with the axle **400 720!**



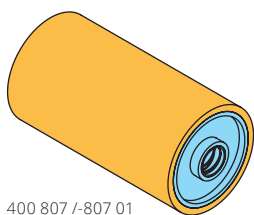
400 805



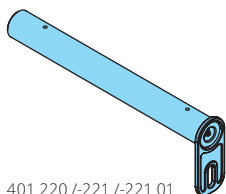
400 732



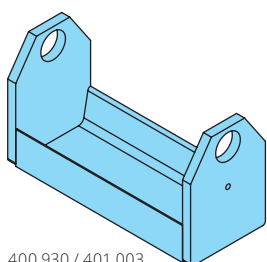
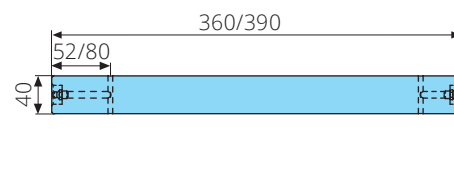
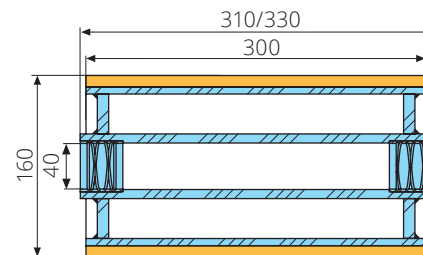
Article no.	Product	Description
400 805	Fire department roller complete	30-159-300/310mm, H=240mm, load capacity 8t, tread polyurethan coated, ball bearing
400 806	Fire department roller	30-159-300/310mm, polyurethane coated, spherical roller bearings
400 720	Axle	30x360mm, with safety catch, S355J2
400 730	Bracket for roller	d=31mm, for H=240mm, l=312mm, side plate t=10mm
400 732	Side plates for roller brackets	d=31mm, t=10mm



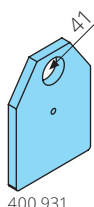
400 807 / -807 01



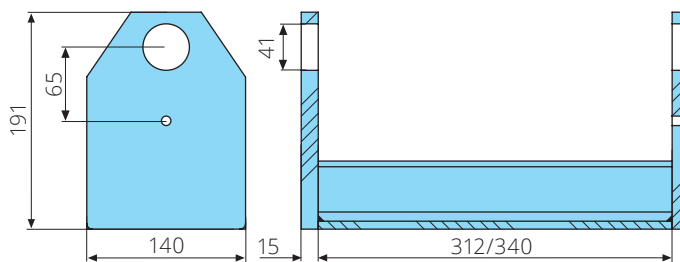
401 220 / -221 / -221 01



400 930 / 401 003



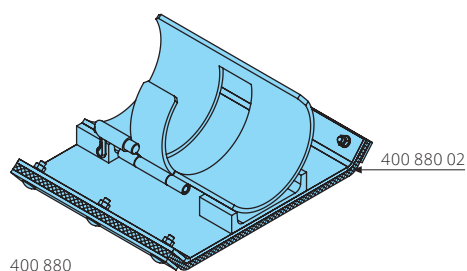
400 931



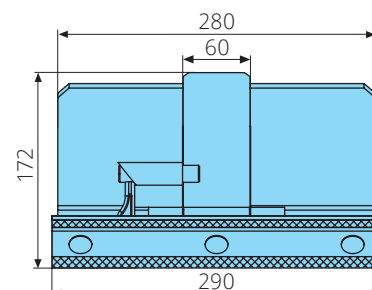
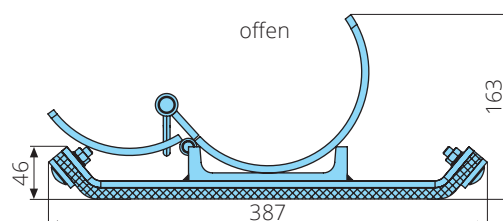
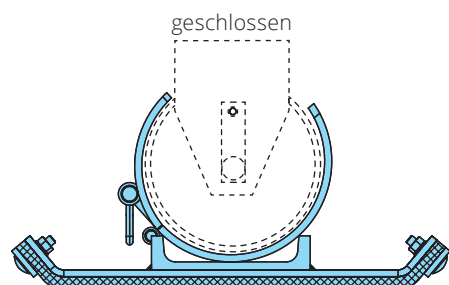
Article no.	Product	Description
400 807	Fire department roller	40-160-300/310mm, load capacity 8t, tread polyurethan coated, brass bushing, full sleeve tubing
401 220	Axle	40x360mm, with lubrication & safety catch, S355J2
400 930	Bracket for roller	d=41mm, for H=240mm, l=312mm, side plate t=15mm
400 931	Side plates for roller brackets	d=41mm, t=15mm

Article no.	Product	Description
400 807 01	Fire department roller	40-160-300/330mm, load capacity 8t, tread polyurethan coated, brass bushing, full sleeve tubing
401 221	Axle	40x390mm, with extended lubrication & safety catch, S355J2
401 221 01	Axle	40x390mm, with lubrication & safety catch, S355J2
401 003	Bracket for roller	d=41mm, for H=240mm, l=340mm, side plate t=15mm
400 931	Side plates for roller brackets	d=41mm, t=15mm

Steel roller floor guards



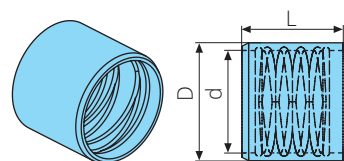
400 880



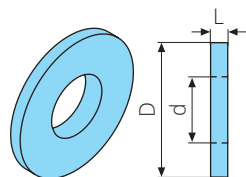
- protection of sensitive surfaces such as bitumen, paving or historic paving against damage caused by container rollers
- with oil-resistant rubber padding
- can be used alternately on different containers
- easy transportation on the vehicle
- 1-man set-up, no tools needed, as the guard is mounted on the roller with a quick-locking mechanism
- roller floor guard for other roller diameters on request

Article no.	Product	Description
400 880	Steel roller floor guard	left, for roller diameter 159mm
400 881	Steel roller floor guard	right, for roller diameter 159mm
400 880 02	Rubber mat for roller shoe	290x400x10mm, SBR, fits for 400 880 /- 881

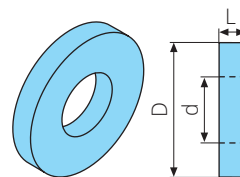
Accessories for rollers



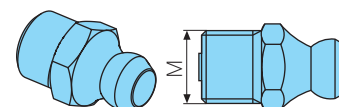
400 111 01 /-863 01 /-911 01
401 250 02 /-611 01



400 726 / 130 100 03 / 400 725 /-861 /-923
400 921 1 /-921 1 /-921 2 / 401 265 /-266



400 728 /-862 /-924
400 266 /-925

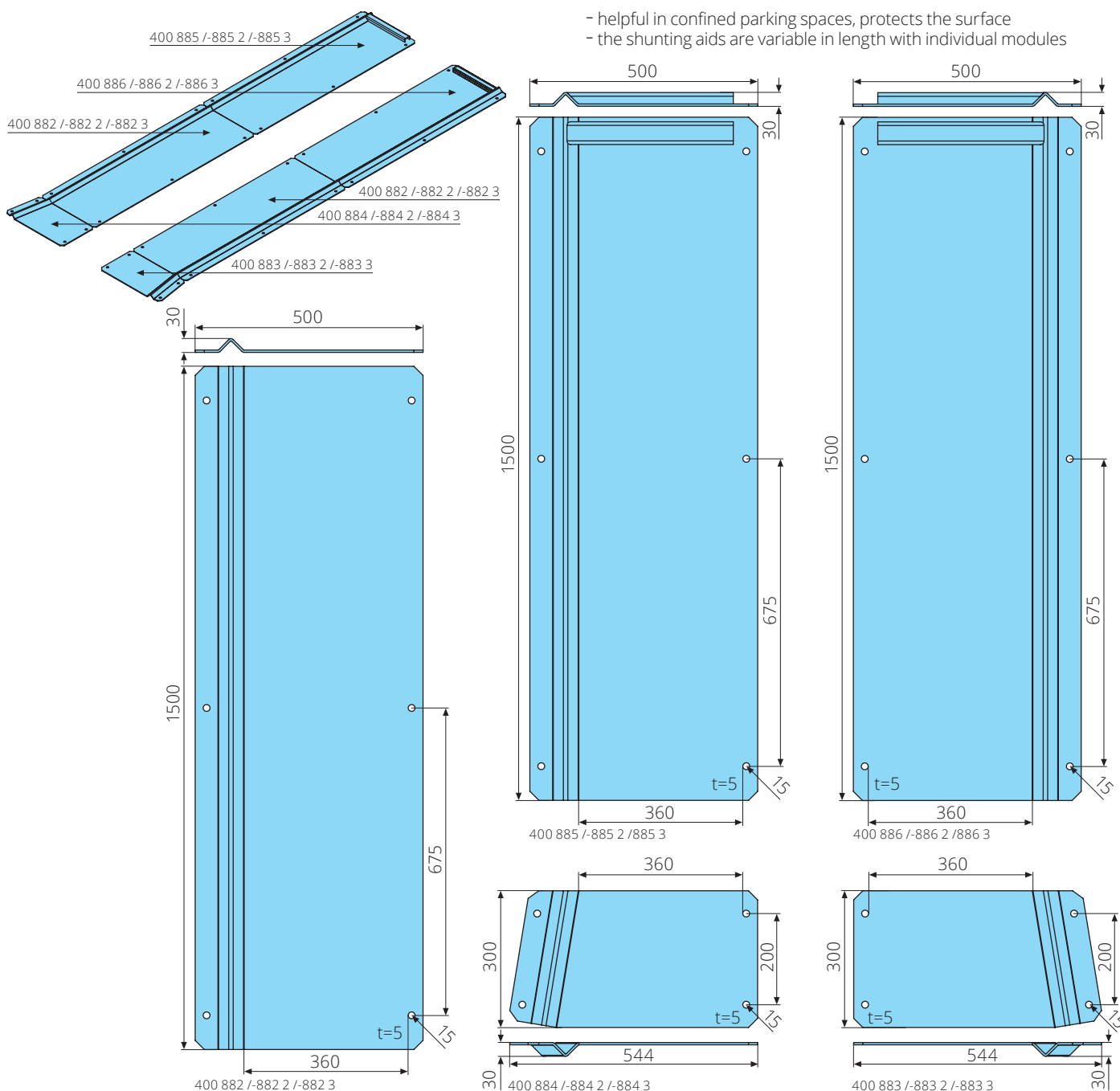


400 040 /-041 /-041 01 /-042

Article no.	Product	Description (dxDxL)
400 111 01	Brass bushing	30(+0,75)-35-30mm
400 863 01	Brass bushing	35(+0,75)-40-30mm
400 911 01	Brass bushing	40(+0,75)-45-37,5mm
401 250 02	Brass bushing	45(+0,75)-50-45mm
401 611 01	Brass bushing	50(+0,75)-55-50mm
400 726	Spacer	31-51-10mm
130 100 03	Washer	31-56-4mm, galvanized, ISO 7090, 200 HV
400 725	Spacer	31-56-8mm
400 861	Spacer	36(+1)-56(+2)-4mm
400 923	Spacer	41-50-10mm
400 921 1	Washer	41(+2)-57(+3)-2mm
400 921	Spacer	41-57(+3)-4mm
400 921 2	Washer	41-57(+3)-8mm
401 265	Spacer	46-60-3mm
401 266	Spacer	46-60-10mm
400 728	Axle spacer	31-51-15mm
400 862	Axle spacer	36-56-15mm
400 924	Axle spacer	41(+2)-57(+3)-20mm
400 266	Axle spacer	46-62-20mm
400 925	Axle spacer	46-70-20mm

Article no.	Product	Description
400 040	Grease fitting	M6x1mm, straight, PU 100 pieces
400 041	Grease fitting	M8x1mm, straight, PU 100 pieces
400 041 01	Grease fitting	M8x1,25mm, straight, PU 100 pieces
400 042	Grease fitting	M10x1mm, straight, PU 100 pieces

Shunting aids

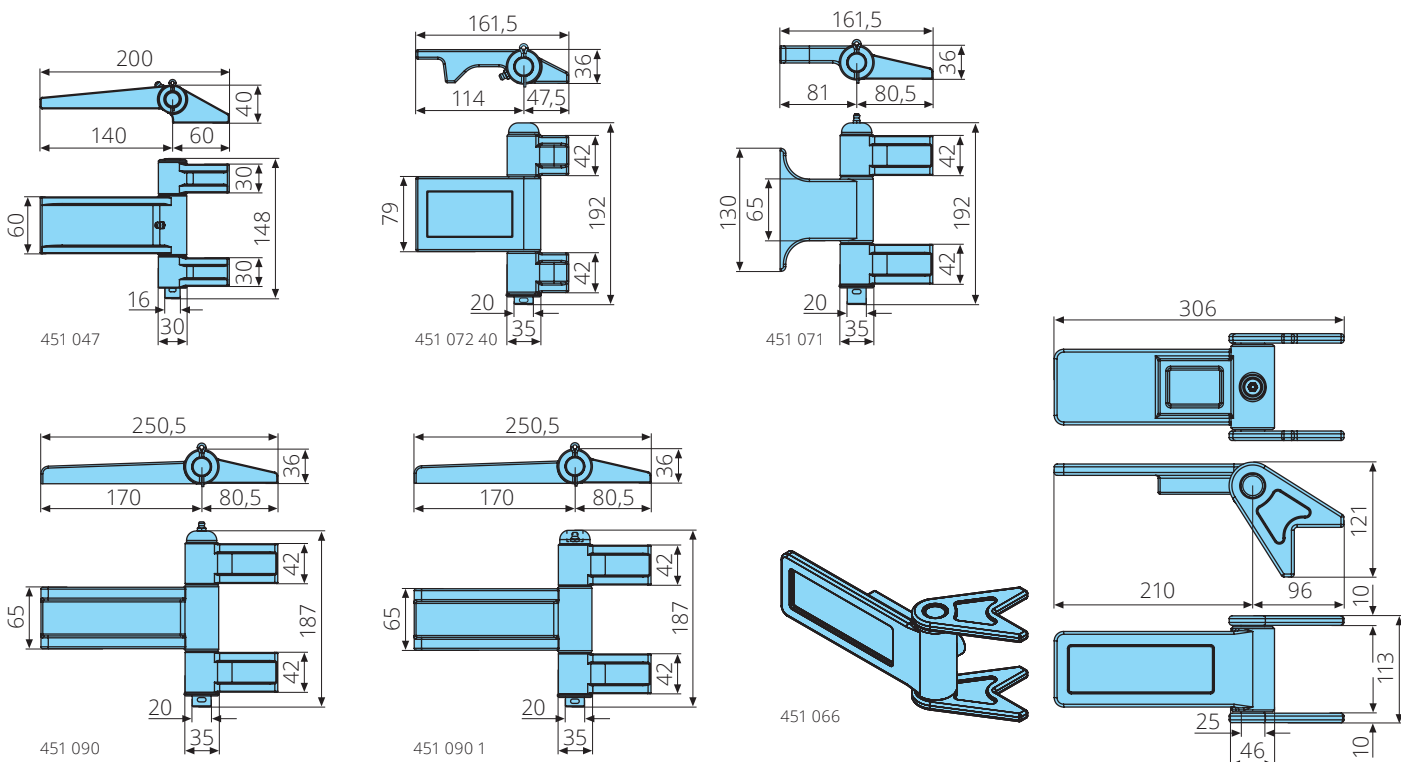


Article no.	Product	Description
400 882	Shunting aid	1500x500x30mm, left/right, raw
400 885	Shunting aid with stop	1500x500x30mm, left, raw
400 886	Shunting aid with stop	1500x500x30mm, right, raw
400 884	Shunting aid	300x544x30mm, front left/rear right, raw
400 883	Shunting aid	300x544x30mm, front right/rear left, raw

Article no.	Product	Description
400 882 2	Shunting aid	1500x500x30mm, left/right, stainless steel
400 885 2	Shunting aid with stop	1500x500x30mm, left, stainless steel
400 886 2	Shunting aid with stop	1500x500x30mm, right, stainless steel
400 884 2	Shunting aid	300x544x30mm, front left/rear right, stainless steel
400 883 2	Shunting aid	300x544x30mm, front right/rear left, stainless steel

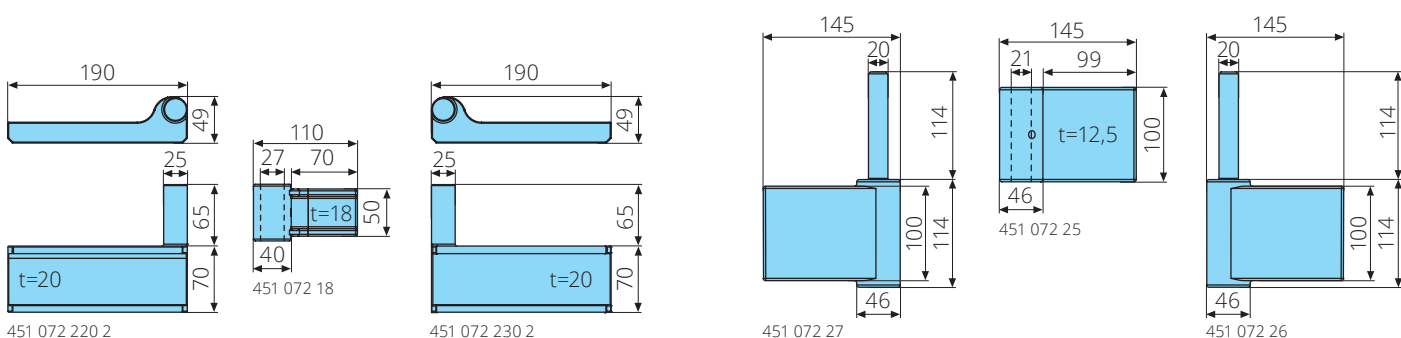
Article no.	Product	Description
400 882 3	Shunting aid	1500x500x30mm, left/right, galvanized
400 885 3	Shunting aid with stop	1500x500x30mm, left, galvanized
400 886 3	Shunting aid with stop	1500x500x30mm, right, galvanized
400 884 3	Shunting aid	300x544x30mm, front left/rear right, galvanized
400 883 3	Shunting aid	300x544x30mm, front right/rear left, galvanized

Hinges for roll-off containers



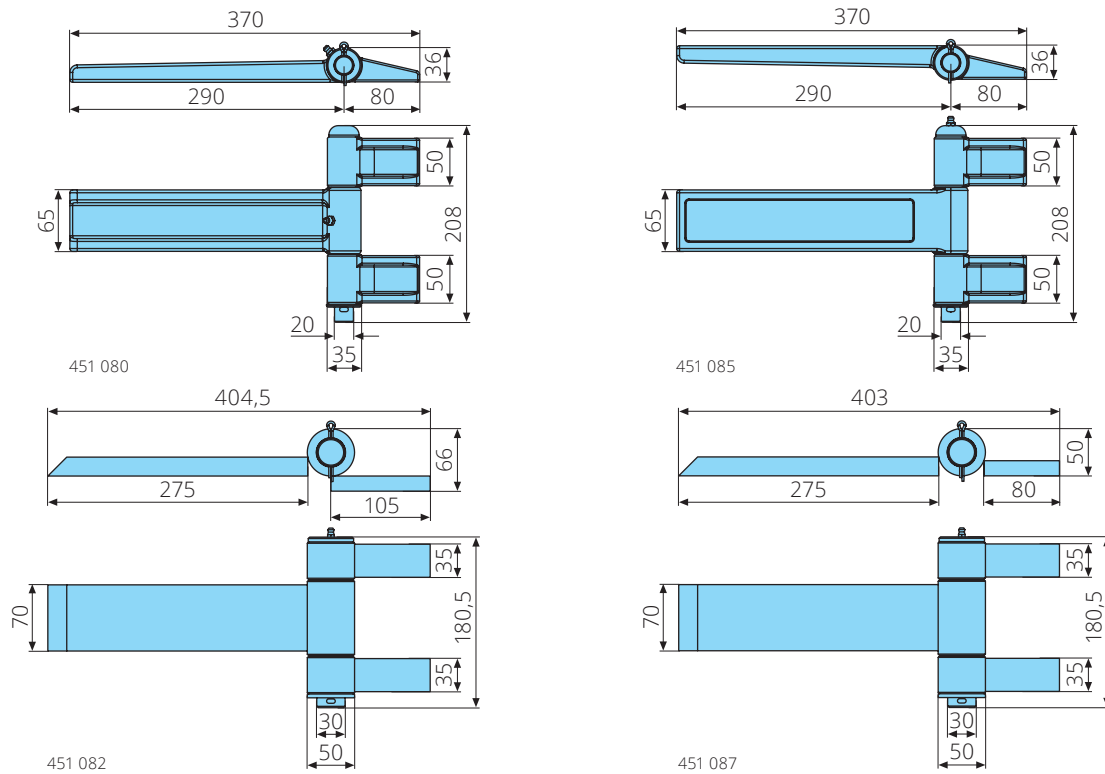
Article no.	Product	Description
451 047	Hinge	30x148x200mm, left, for city container, bushing lubrication, cast steel
451 048	Hinge	30x148x200mm, right, for city container, bushing lubrication, cast steel
Article no.	Product	Description
451 072 40	Hinge	35x192x161,5mm, left, bushing lubrication
451 072 41	Hinge	35x192x161,5mm, right, bushing lubrication
451 071	Hinge	35x192x161,5mm, left, lubrication
451 072	Hinge	35x192x161,5mm, right, lubrication
Article no.	Product	Description
451 090	Hinge	35x187x250,5mm, left, forged, heavy duty version, lubrication
451 091	Hinge	35x187x250,5mm, right, forged, heavy duty version, lubrication
451 090 1	Hinge	35x187x250,5mm, left, forged, heavy duty version, lubrication, grease fitting flush
451 091 1	Hinge	35x187x250,5mm, right, forged, heavy duty version, lubrication, grease fitting flush

Article no.	Product	Description
451 066	Hinge	46x360x113mm, left/right, forged, bushing lubrication



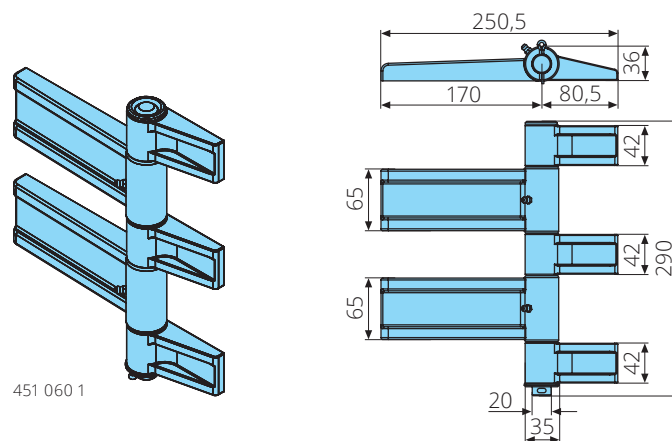
Article no.	Product	Description
451 072 220 2	Scharnier	49x135x190mm, bottom left, for hinges 451 072 18
451 072 18	Hinge	40x50x110mm, top, for hinges 451 072 22 02 /-23 02
451 072 230 2	Scharnier	49x135x190mm, bottom right, for hinges 451 072 18
Article no.	Product	Description
451 072 27	Hinge	46x228x145mm, bottom left, for hinge 451 072 25
451 072 25	Hinge	46x100x145mm, top, for hinges 451 072 27 /-26
451 072 26	Hinge	46x228x145mm, bottom right, for hinge 451 072 25

Hinges for roll-off containers



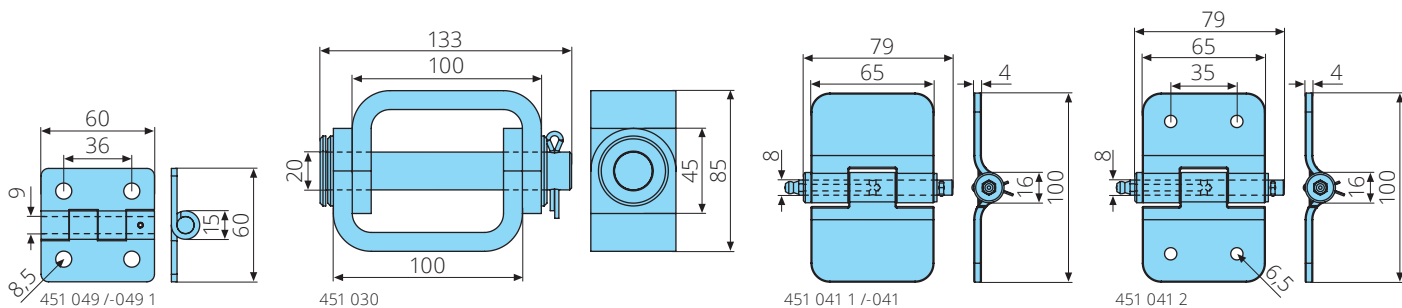
Article no.	Product	Description
451 080	Hinge	35x208x370mm, left, forged, heavy duty version, bushing lubrication
451 081	Hinge	35x208x370mm, right, forged, heavy duty version, bushing lubrication
451 085	Hinge	35x208x370mm, left, forged, heavy duty version, lubrication
451 084	Hinge	35x208x370mm, right, forged, heavy duty version, lubrication
Article no.	Product	Description
451 082	Hinge	50x180,5x404,5mm, left, heavy duty version, lubrication
451 083	Hinge	50x180,5x404,5mm, right, heavy duty version, lubrication
451 087	Hinge	50x180,5x403mm, left, heavy duty version, lubrication
451 088	Hinge	50x180,5x403mm, right, heavy duty version, lubrication

Hinges for stackable roll-off containers

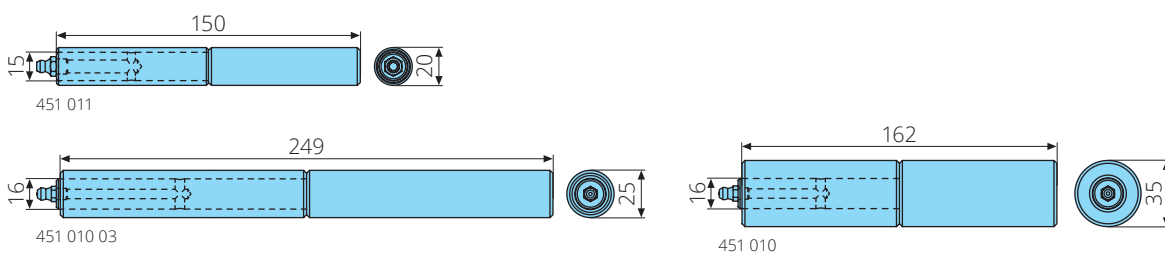


Article no.	Product	Description
451 060 1	Hinge	35x290x250,5mm, left, for stackable roll-off containers, bushing lubrication, forged
451 061 1	Hinge	35x290x250,5mm, right, for stackable roll-off containers, bushing lubrication

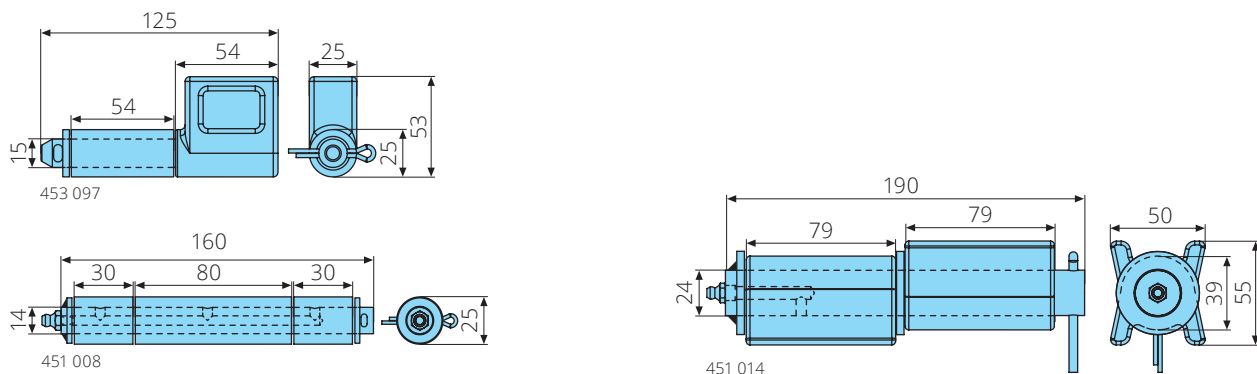
Hinges for lids



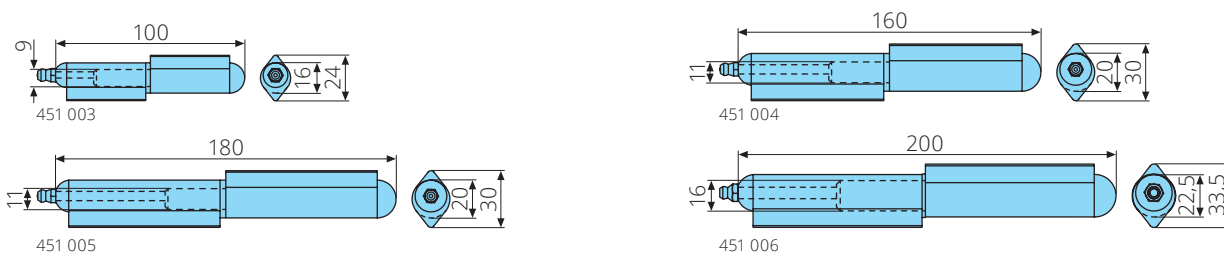
Article no.	Product	Description
451 049	Hinge	15x60x60mm, raw, with bras pin, for bolted mounting
451 049 1	Hinge	15x60x60mm, galvanized, with bras pin, for bolted mounting
451 030	Hinge	20x133x85mm, primed
451 041 1	Hinge	16x79x100mm, raw, lubrication
451 041	Hinge	16x79x100mm, galvanized, lubrication
451 041 2	Hinge	16x79x100mm, galvanized, lubrication, with bores



Article no.	Product	Description
451 011	Hinge	20x150mm, for container lids, lubrication
451 010 03	Hinge	25x249mm, for container lids, lubrication
451 010	Hinge	35x162mm, for container lids, lubrication



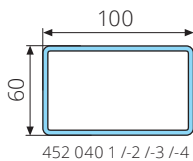
Article no.	Product	Description
453 097	Tailgate lock hinge	25x125x53mm, forged, raw
451 008	Hinge	25x160x25mm, for container lids, lubrication
451 014	Hinge	39x190x55mm, for container lids, lubrication



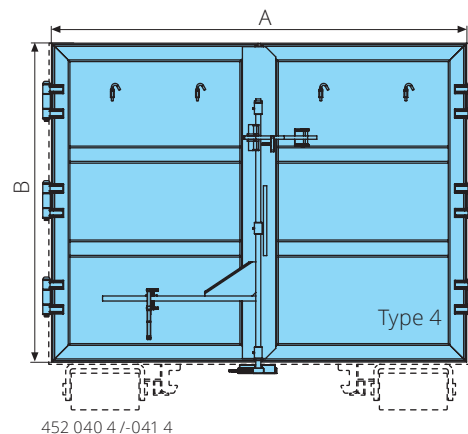
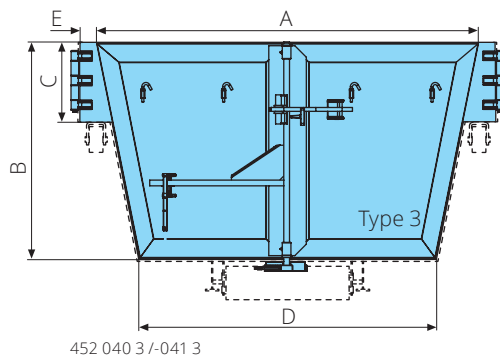
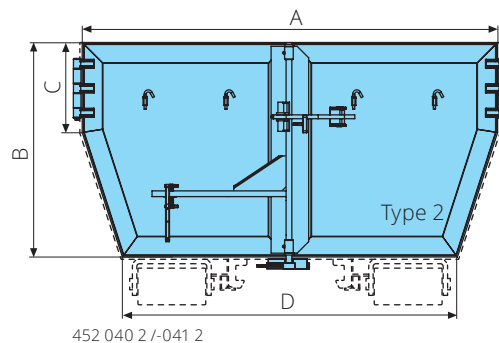
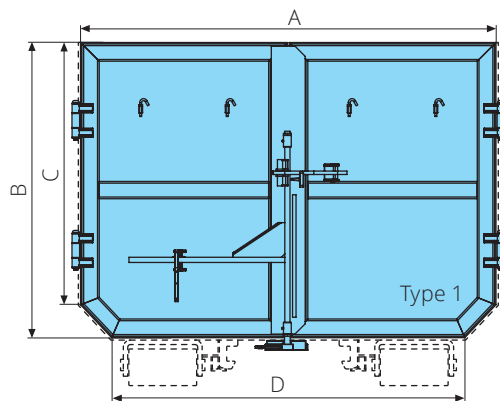
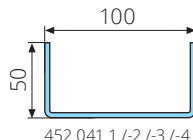
Article no.	Product	Description
451 003	Barrel hinge	16x100x24mm, with brass washer
451 004	Barrel hinge	20x160x30mm, with brass washer
451 005	Barrel hinge	20x180x30mm, with brass washer
451 006	Barrel hinge	22,5x200x33,5mm, with brass washer

Container doors

- with over centre door lock
- with hinges
- with tarpaulin hooks
- door profile heavy duty version:



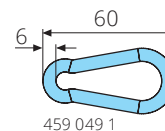
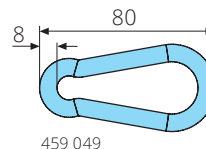
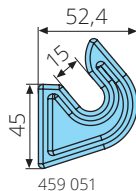
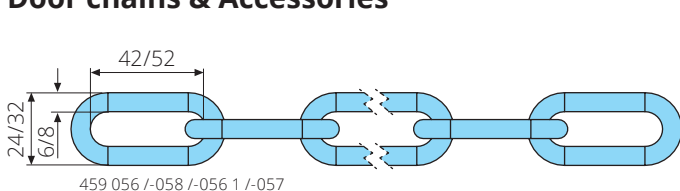
- door profile standard version:



Article no.	Product	Description
452 040 1	Container door type 1	heavy duty version, primed, made to order
452 040 2	Container door type 2	heavy duty version, primed, made to order
452 040 3	Container door type 3	heavy duty version, primed, made to order
452 040 4	Container door type 4	heavy duty version, primed, made to order
452 041 1	Container door type 1	standard version, primed, made to order
452 041 2	Container door type 2	standard version, primed, made to order
452 041 3	Container door type 3	standard version, primed, made to order
452 041 4	Container door type 4	standard version, primed, made to order

ORDER FORM							
Article no.	Type	A in mm	B in mm	C in mm	D in mm	E in mm	Sets

Door chains & Accessories

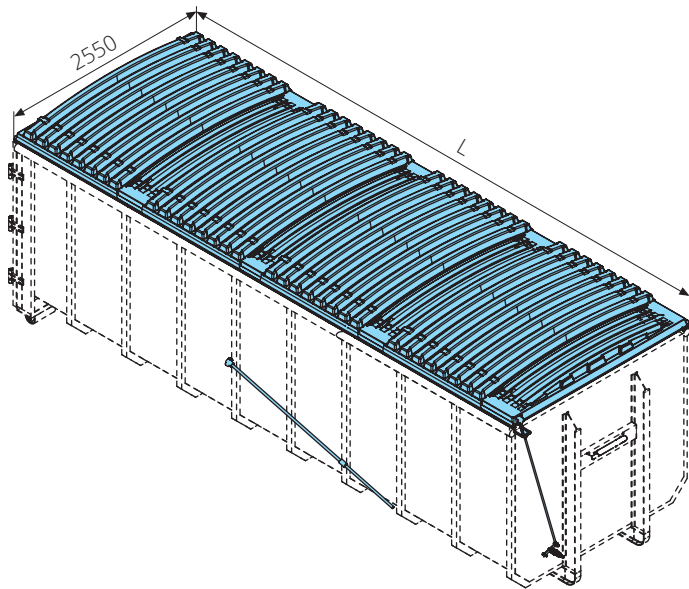


Article no.	Product	Description
459 056	Chain	NG 6mm, DIN 763, galvanized, length according to specification
459 056 1	Chain	NG 8mm, DIN 763, galvanized, length according to specification

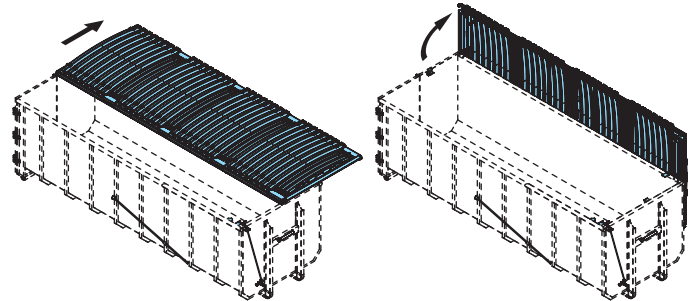
Article no.	Product	Description
459 058	Chain	NG 6mm, L=30m, DIN 763, galvanized
459 057	Chain	NG 8mm, L=30m, DIN 763, galvanized

Article no.	Product	Description
459 051	Hook for chains	t=12mm, cast steel
459 049	Snap hook	8x80mm, DIN 5299C, galvanized
459 049 1	Snap hook	6x60mm, DIN 5299C, galvanized

Pivoting lid for roll-off containers



- very sturdy rollable plastic lid, UV-resistant, made from recycled material
- one-man handling, can be opened without jack or hydraulics
- when opened, only half of the cover remains as a wind load surface
- particularly suitable for spaces with low ceilings
- consists of 4 plastic covers, steel frame with slide, locking device, opening bar & assembly material
- weight approx. 385kg

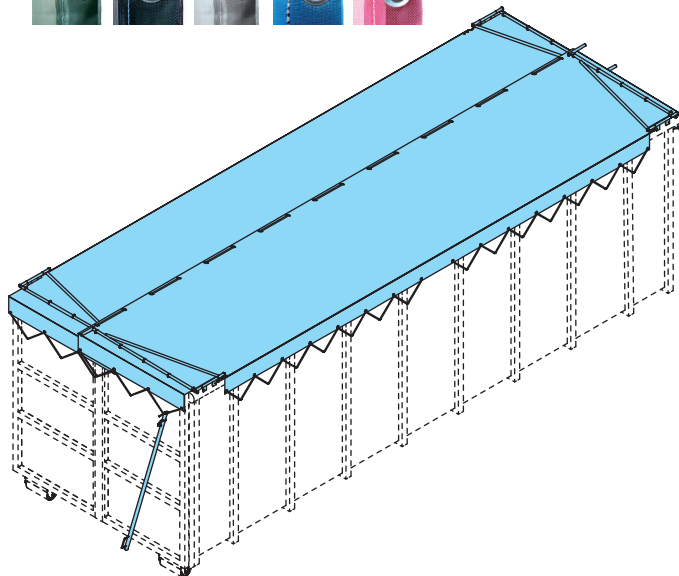
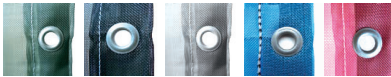


Article no.	Product	Description
452 090	Pivoting lid for roll-off container	B=2550mm, length as specified (5000-7000mm)

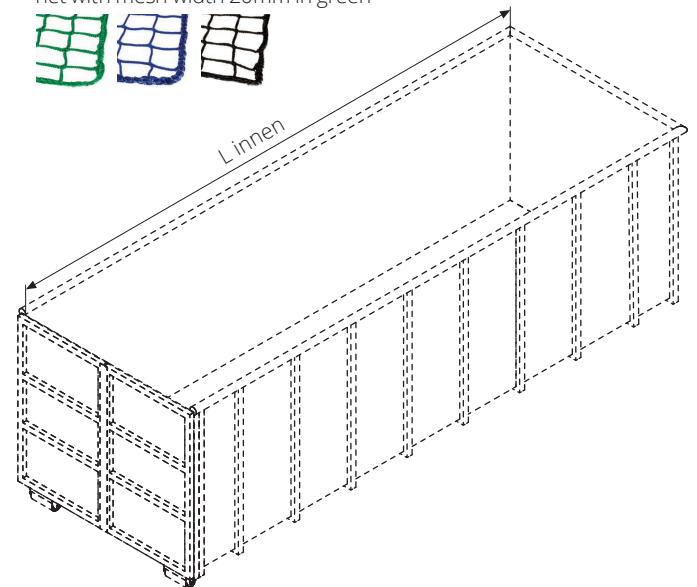
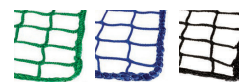
ORDER FORM	
L in mm (5000 - 7000mm)	Amount

Container covers for roll-off containers

- fabric tarpaulin in green, black, grey, blau or red



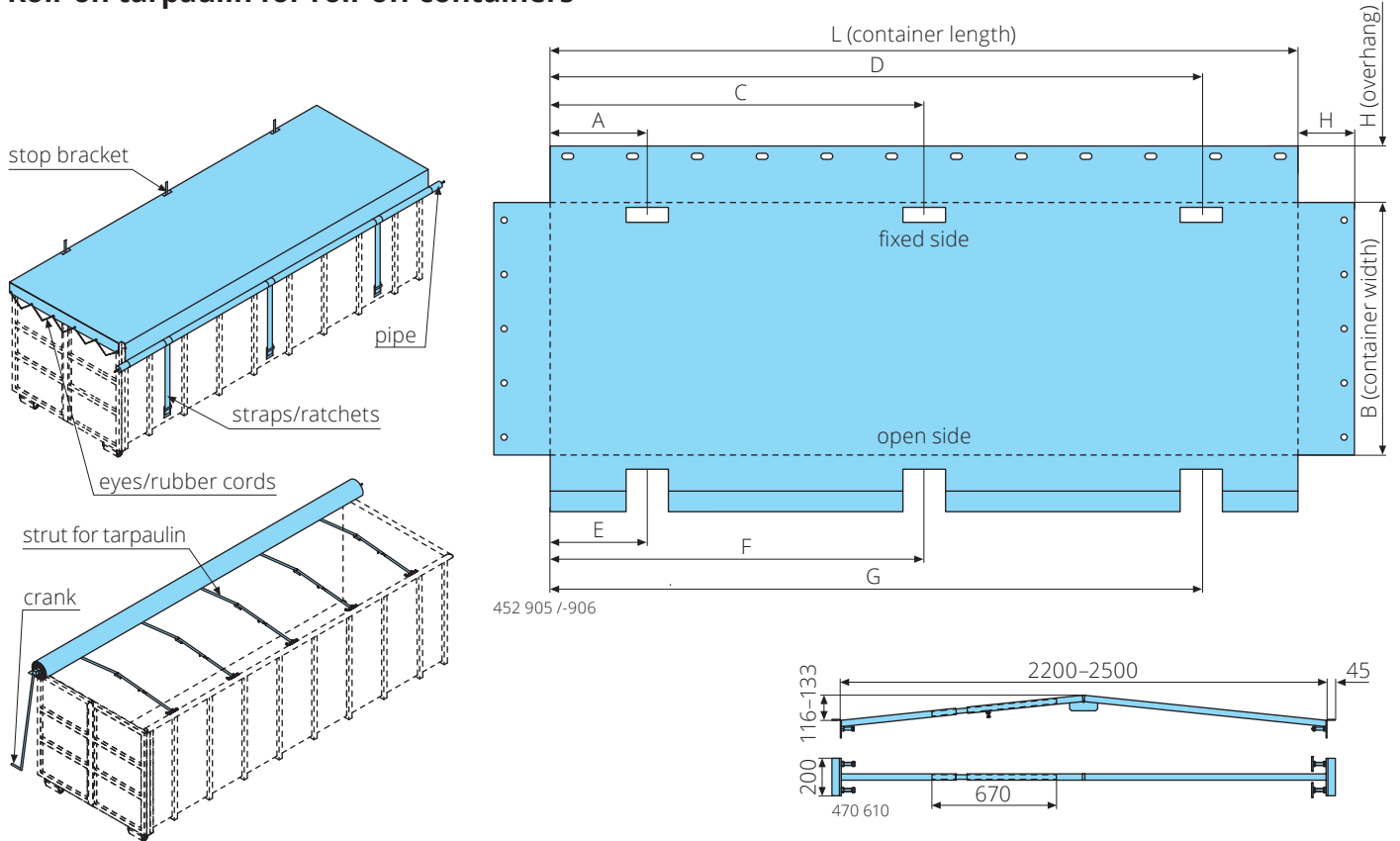
- net with mesh width 45mm in black
- net with mesh width 30mm in green, blue or black
- net with mesh width 20mm in green



Article no.	Product	Description
452 900	Container cover with fabric tarpaulin	double-leaf, with fabric tarpaulin, with telescope bar & mount, made to order
452 900 1	Container cover with net	double-leaf, with net, with telescope bar & mount, made to order

ORDER FORM				
Article no.	L internal in cm	Color	(Mesh width)	Amount

Roll-on tarpaulin for roll-off containers



Article no.	Product	Description
452 905	Roll-on tarpaulin	PVC tarpaulin, water tight, 630g/m ² , grey, green, black, blue, red, orange, yellow or white
452 906	Roll-on tarpaulin	fabric tarpaulin, stiff, breathable, 200g/m ² , colors: green, blue, black, red, grey

Article no.	Product	Description
470 610	Strut for tarpaulin	adjustable length, primed

ORDER FORM										
Article no.	Amount	L in m	B in m	H in m	A in m	C in m	D in m	E in m	F in m	G in m

Tarpaulin color							
grey	green	black	blue	red	orange	yellow	white

Rubber cord diameter						
w/o	4mm	6mm	8mm	10mm	12mm	

Eye diamter on short sides					
w/o	10mm	16mm	20mm	25mm	40mm

Eyes (42x22mm) on fixed side		
w/o	vertical	horizontal

Distance of eyes	
40cm	Distance in cm

Brackets on fixed side	
w/o	3 stop brackets

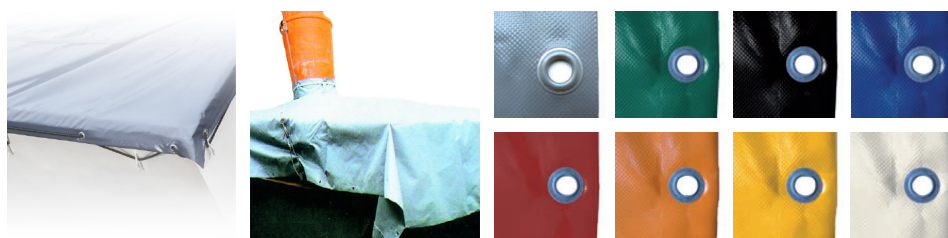
Strut 470 610	
w/o	Amount (4 - 6 suggested)

Pipe on open side		
w/o	round pipe (d=75mm)	square pipe (20x100mm)

Straps & Ratchets on open side		
w/o	2 Straps/Ratchets	3 Straps/Ratchets

Crank			
w/o	Hand crank	Roll fix crank (2,4m), foldable	Roll fix crank (1,3m)

Containe tarpaulins



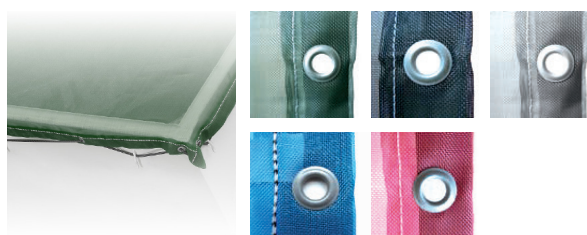
- waterproof
- eyelet every 40 cm
- without rubber cord
- other sizes & with rubber cord on request

Article no.	Product	Description
470 110	Container tarpaulin PE/PVC	for 12-20m ³ container, 3,1x7,0m, 630g/m ² , grey
470 115	Container tarpaulin PE/PVC	for 30m ³ container, 3,1x7,5m, 630g/m ² , grey
470 120	Container tarpaulin PE/PVC	for 38-40m ³ container, 3,1x8,0m, 630g/m ² , grey
470 125	Container tarpaulin PE/PVC	for 10-12m ³ container, 3,0x6,0m, 630g/m ² , with collar for feed chute, grey

Article no.	Product	Description
470 570	Container tarpaulin PE/PVC	for 12-20m ³ container, 3,1x7,0m, 630g/m ² , green, black, blue, red, orange, yellow or white
470 575	Container tarpaulin PE/PVC	for 30m ³ container, 3,1x7,5m, 630g/m ² , green, black, blue, red, orange, yellow or white
470 580	Container tarpaulin PE/PVC	for 38-40m ³ container, 3,1x8,0m, 630g/m ² , green, black, blue, red, orange, yellow or white

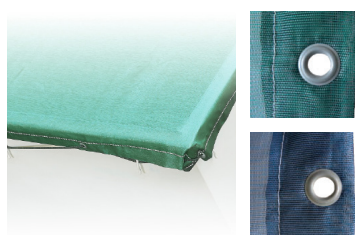
Article no.	Product	Description
470 596	Container tarpaulin PE/PVC	for 12-20m ³ container, 3,1x7,0m, 620g/m ² , reinforced corners, grey
470 597	Container tarpaulin PE/PVC	for 30m ³ container, 3,1x7,5m, 620g/m ² , reinforced corners, grey
470 598	Container tarpaulin PE/PVC	for 38-40m ³ container, 3,1x8,0m, 620g/m ² , reinforced corners, grey

Fabric tarpaulins



- stable, air-permeable
- firm, very resistant to abrasion
- eyelet every 40 cm
- without rubber cord
- other sizes, other colours & with rubber cord on request

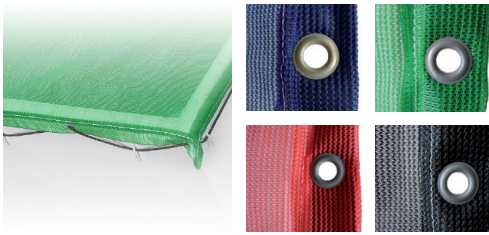
Article no.	Product	Description
470 140	PE-monofilament tarpaulin	for 12-20m ³ container, 3,1x7,0m, 200g/m ² , green, black, grey, blue or red
470 145	PE-monofilament tarpaulin	for 30m ³ container, 3,1x7,5m, 200g/m ² , green, black, grey, blue or red
470 150	PE-monofilament tarpaulin	for 38-40m ³ container, 3,1x8,0m, 200g/m ² , green, black, grey, blue or red



- dense weave
- eyelet every 40 cm
- without rubber cord
- other sizes and with rubber cord on request

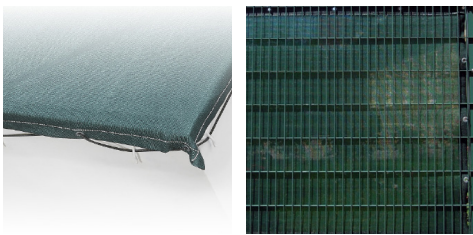
Article no.	Product	Description
470 310	Fabric tarpaulin PE	for 12-20m ³ container, 3,1x7,0m, 190g/m ² , green or blue
470 315	Fabric tarpaulin PE	for 30m ³ container, 3,1x7,5m, 190g/m ² , green or blue
470 320	Fabric tarpaulin PE	for 38-40m ³ container, 3,1x8,0m, 190g/m ² , green or blue

Fabric tarpaulins



- easily folded, air-permeable
- eyelet every 40 cm
- without rubber cord
- other sizes, other colours & with rubber cord on request

Article no.	Product	Description
470 525	PE monofilament tarpaulin	for 10m ³ container, 3,1x5,0m, 220g/m ² , green, black, gray or red
470 530	PE monofilament tarpaulin	for 10-12m ³ container, 3,1x6,0m, 220g/m ² , green, black, gray or red
470 535	PE monofilament tarpaulin	for 10-12m ³ container, 3,1x7,0m, 220g/m ² , green, black, gray or red
470 540	PE monofilament tarpaulin	for 30m ³ container, 3,1x7,5m, 220g/m ² , green, black, gray or red
470 545	PE monofilament tarpaulin	for 38-40m ³ container, 3,1x8,0m, 220g/m ² , green, black, gray or red

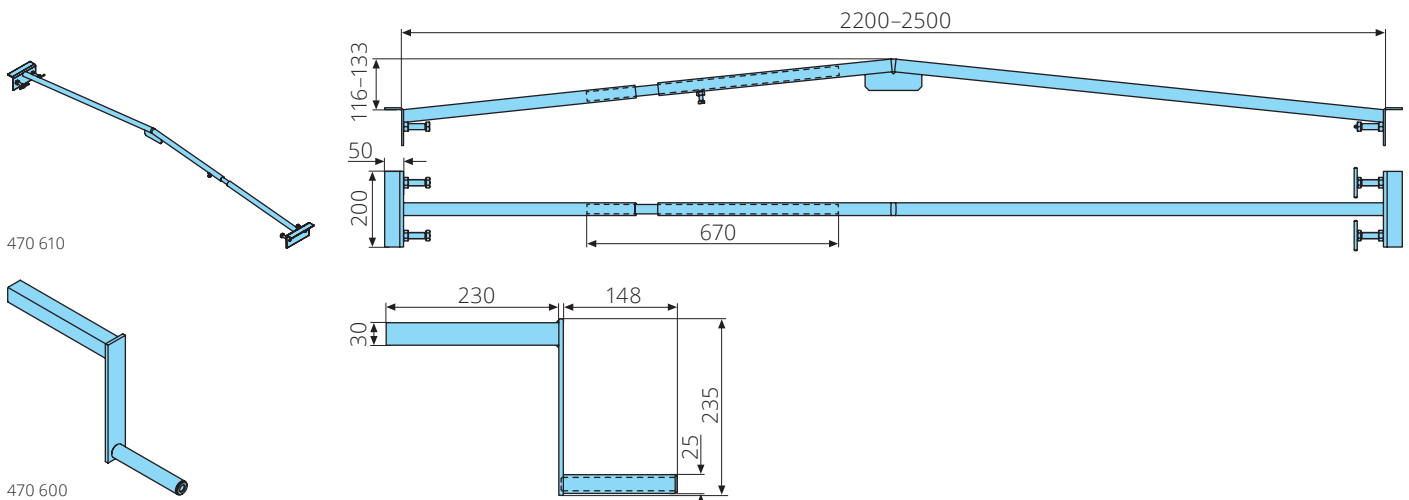


- air-permeable
- eyelet every 40 cm
- without rubber cord
- other sizes and with rubber cord on request

Article no.	Product	Description
470 331	Woven band tarpaulin PE	for 10m ³ container, 3,1x5,0m, 200g/m ² , green
470 332	Woven band tarpaulin PE	for 12-20m ³ container, 3,1x7,0m, 200g/m ² , green
470 333	Woven band tarpaulin PE	for 30m ³ container, 3,1x7,5m, 200g/m ² , green
470 334	Woven band tarpaulin PE	for 38-40m ³ container, 3,1x8,0m, 200g/m ² , green

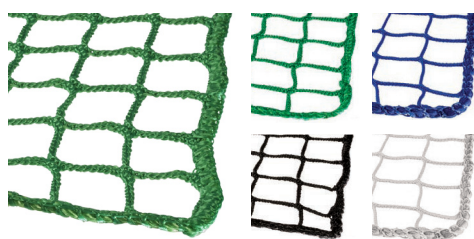
Article no.	Product	Description
470 330	Woven band tarpaulin PE	for 10m ³ container, 3,5x5,0m, 200g/m ² , green
470 335	Woven band tarpaulin PE	for 12-20m ³ container, 3,5x7,0m, 200g/m ² , green
470 340	Woven band tarpaulin PE	for 30m ³ container, 3,5x7,5m, 200g/m ² , green
470 345	Woven band tarpaulin PE	for 38-40m ³ container, 3,5x8,0m, 200g/m ² , green
470 355	Screen tarpauling PE	2,0x12,0m, 200g/m ² , green

Strut for tarpaulins & Crank handle



Article no.	Product	Description
470 610	Strut for tarpaulin	adjustable length, primed
470 600	Crank handle	for rolling tarpaulin, S235JR, galvanized

Nets



- high-strength
- with border rope
- reinforced border
- other sizes on request

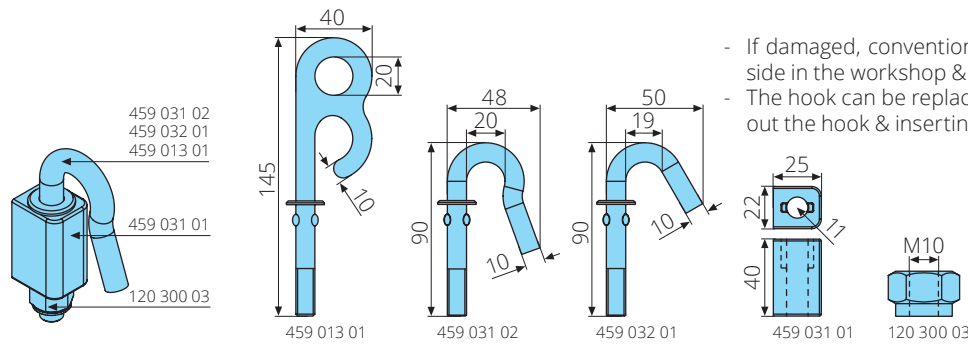
Article no.	Product	Description
470 400	Synthetic net PP	for 5m ³ container, 2,5x4,5m, 130g/m ² , 2,3mm, mesh width 45mm, black
470 405	Synthetic net PP	for 5-10m ³ container, 3,0x5,0m, 130g/m ² , 2,3mm, mesh width 45mm, black
470 410	Synthetic net PP	for 5-10m ³ container, 3,5x6,0m, 130g/m ² , 2,3mm, mesh width 45mm, black
470 415	Synthetic net PP	for 12-20m ³ container, 3,5x7,0m, 130g/m ² , 2,3mm, mesh width 45mm, black
470 420	Synthetic net PP	for 30-40m ³ container, 3,5x8,0m, 130g/m ² , 2,3mm, mesh width 45mm, black

Article no.	Product	Description
470 430	Synthetic net PP	for 5-10m ³ container, 3,0x5,0m, 200g/m ² , 2,5mm, mesh width 20mm, black
470 435	Synthetic net PP	for 5-12m ³ container, 3,5x6,0m, 200g/m ² , 2,5mm, mesh width 20mm, black
470 440	Synthetic net PP	for 12-20m ³ container, 3,5x7,0m, 200g/m ² , 2,5mm, mesh width 20mm, black
470 445	Synthetic net PP	for 30-40m ³ container, 3,5x8,0m, 200g/m ² , 2,5mm, mesh width 20mm, black

Article no.	Product	Description
470 455	Synthetic net PP	1,7x2,5m, 200g/m ² , 3mm, mesh width 30mm, green, blue or black
470 460	Synthetic net PP	for 5-10m ³ container, 3,0x5,0m, 200g/m ² , 3mm, mesh width 30mm, green, blue or black
470 465	Synthetic net PP	for 5-10m ³ container, 3,5x6,0m, 200g/m ² , 3mm, mesh width 30mm, green, blue or black
470 470	Synthetic net PP	for 12-20m ³ container, 3,5x7,0m, 200g/m ² , 3mm, mesh width 30mm, green, blue or black
470 475	Synthetic net PP	for 30-40m ³ container, 3,5x8,0m, 200g/m ² , 3mm, mesh width 30mm, green, blue or black

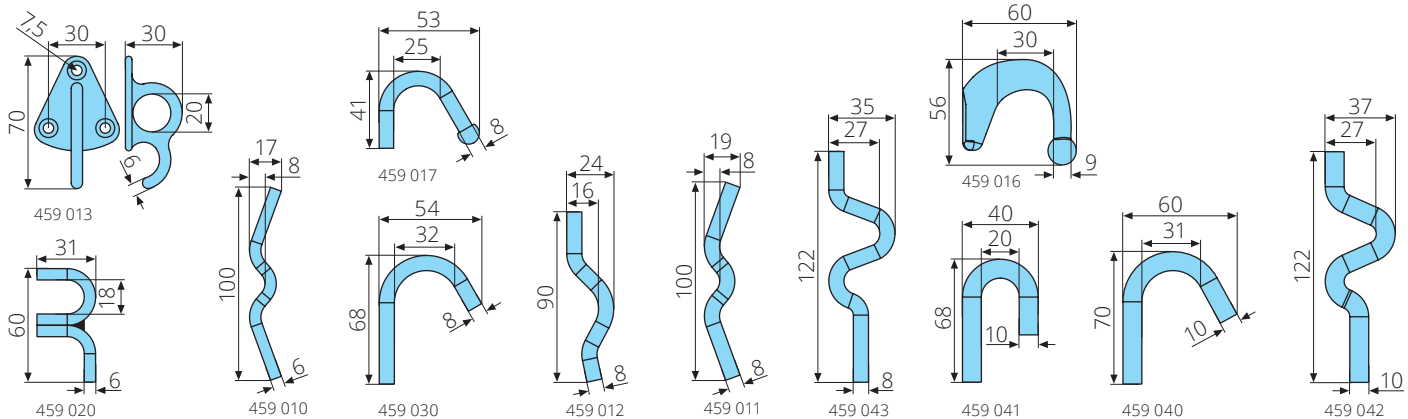
Article no.	Product	Description
470 485	Synthetic net PP	1,7x2,5m, 170g/m ² , 3mm, mesh width 45mm, green, blue, black or white
470 490	Synthetic net PP	for 5-10m ³ container, 3,0x5,0m, 170g/m ² , 3mm, mesh width 45mm, green, blue, black or white
470 495	Synthetic net PP	for 5-10m ³ container, 3,5x6,0m, 170g/m ² , 3mm, mesh width 45mm, green, blue, black or white
470 500	Synthetic net PP	for 12-20m ³ container, 3,5x7,0m, 170g/m ² , 3mm, mesh width 45mm, green, blue, black or white
470 505	Synthetic net PP	for 30-40m ³ container, 3,5x8,0m, 170g/m ² , 3mm, mesh width 45mm, green, blue, black or white

Tarpaulin hooks / Accessories for tarpaulins & nets

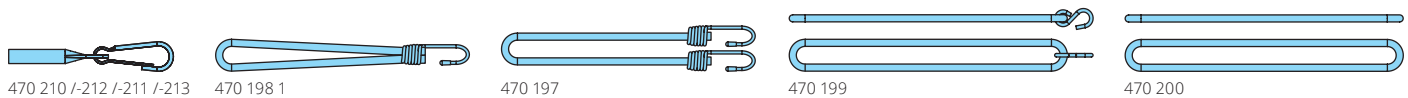


- If damaged, conventional tarpaulin hooks must be cut off on each side in the workshop & welded on again
- The hook can be replaced by the driver by loosening the nut, pulling out the hook & inserting the new hook

Article no.	Product	Description
459 013 01	Tarpaulin hook with thread	10x145mm, M10, galvanized, with eye
459 031 02	Tarpaulin hook with thread	10x90mm, M10, galvanized, curved
459 032 01	Tarpaulin hook with thread	10x90mm, M10, galvanized
459 031 01	Mount for tarpaulin hook	40x22x25mm, d=11mm, cast steel
120 300 03	Hex head nut	M10, self-locking, galvanized, ISO 7040



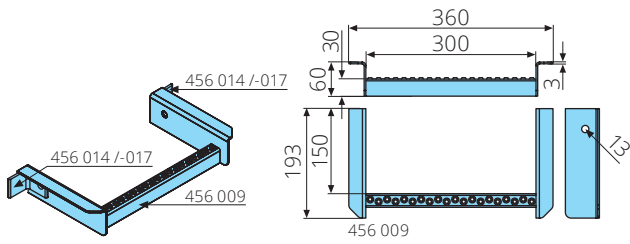
Article no.	Product	Description
459 013	Tarpaulin hook	6x70mm, for bolted mounting, galvanized
459 020	Tarpaulin hook	6x60mm
459 010	Tarpaulin hook	6x100mm
459 017	Tarpaulin hook	8x41mm
459 030	Tarpaulin hook	8x68mm
459 012	Tarpaulin hook	8x90mm
459 011	Tarpaulin hook	8x100mm
459 043	Tarpaulin hook	8x122mm
459 016	Tarpaulin hook	9x56mm
459 041	Tarpaulin hook	10x68mm
459 040	Tarpaulin hook	10x70mm
459 042	Tarpaulin hook	10x122mm



Article no.	Product	Description
470 210	Cable end closure	d=8mm, with hook, galvanized
470 212	Cable end closure	d=8mm, with hook, galvanized, PU 100 pieces, price/PU
470 211	Cable end closure	d=10mm, with hook, galvanized
470 213	Cable end closure	d=10mm, with hook, galvanized, PU 100 pieces, price/PU
470 198 1	Stretch lashing	D=5,4mm, L=400mm, stretch rope, with spiral hook
470 198	Stretch lashing	D=8mm, L=400mm, stretch rope, with spiral hook
470 197	Stretch lashing	D=9mm, L=800mm, stretch rope, with spiral hooks on both ends
470 199	Rubber lashing loop	D=8mm, L=400mm, with s-hook, galvanized
470 200	Rubber lashing loop	D=8mm, L=400mm

Article no.	Product	Description
470 127	Rubber cord	D=8mm, 50m bundle
470 126	Rubber cord	D=10mm, 50m bundle
470 196	Stretch rope	D=8mm, 100m bundle, single-stranded
470 129	Stretch rope	D=10mm, 50m bundle, single-stranded
470 128	Stretch rope	D=10mm, 100m bundle, single-stranded

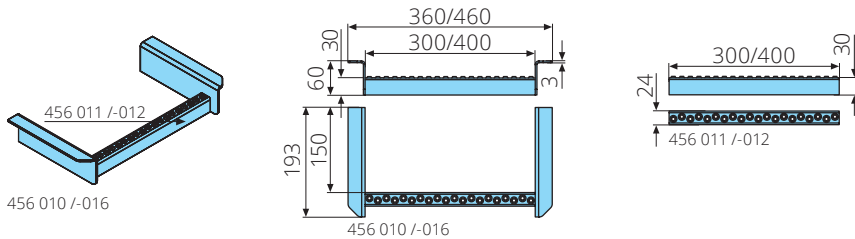
Steps & accessories



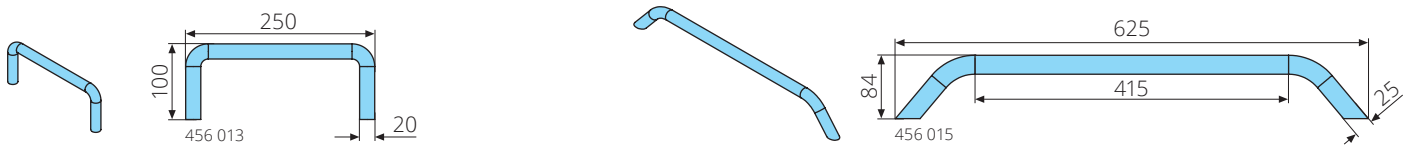
- 90% of ladders & rungs are damaged in the area of the rear of the truck when maneuvering or reversing
 - easy & inexpensive to replace as they can be screwed on



Article no.	Product	Description
456 009	Step	L=360/300mm, galvanized, for bolted mounting, according to DGUV
456 014	Mounting bracket	50x50x5mm, bore d=13mm
456 017	Bracket	50x50x5mm, with 2 bores d=13mm, galvanized

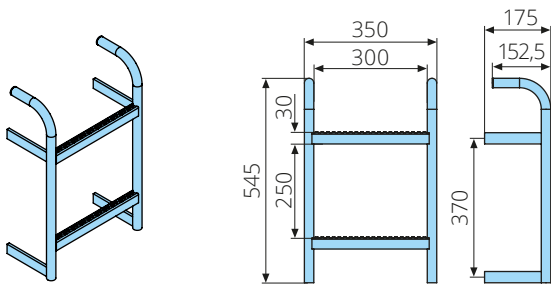


Article no.	Product	Description
456 010	Step	L=360/300mm, primed, for welding, according to DGUV
456 016	Step	L=460/400mm, primed, for welding, according to DGUV
456 011	Step profile	L=300mm, according to DGUV
456 012	Step profile	L=400mm, according to DGUV

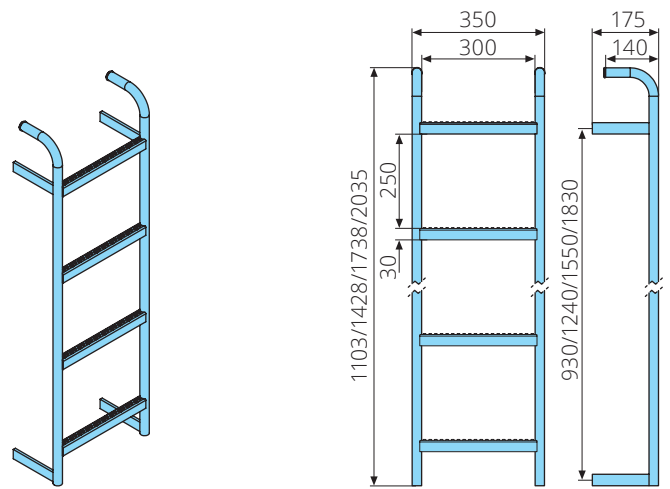


Article no.	Product	Description
456 013	Handle	D=20mm, horizontal, according to DGUV
456 015	Handle	D=25mm, vertical, according to DGUV

Ladders for welding

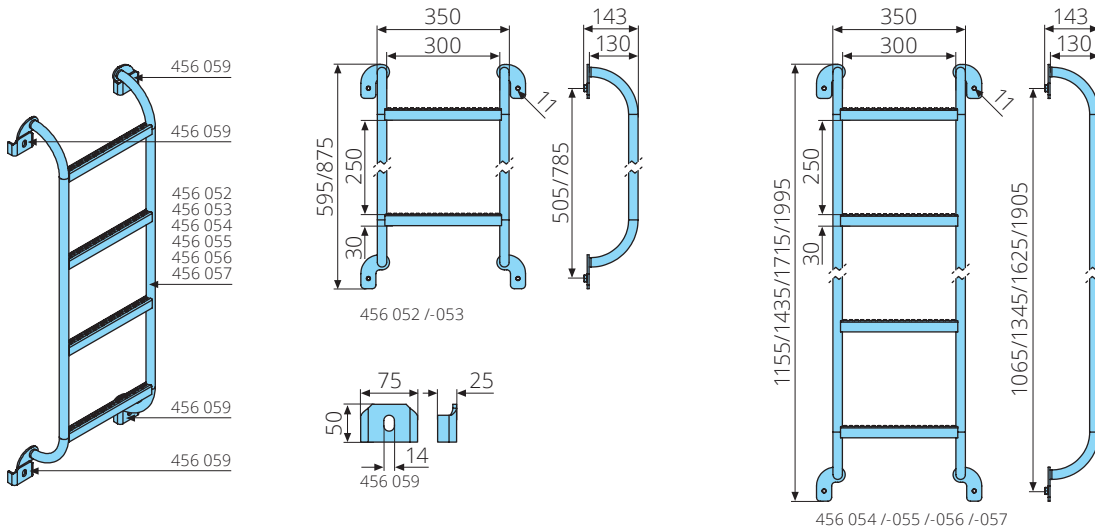


NEW

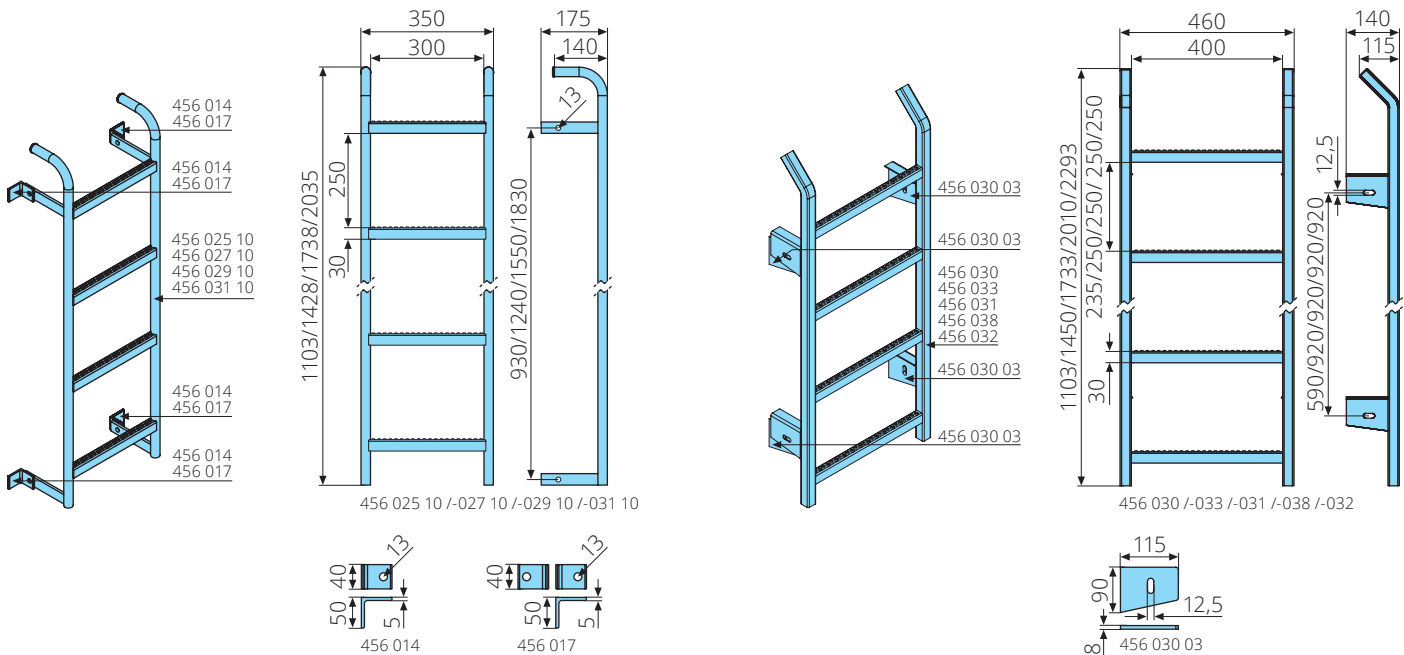


Article no.	Product	Description
456 020 10	Ladder	2 rungs, 545mm, primed, for welding, steel, according to DGUV
456 024 10	Ladder	4 rungs, 1103mm, primed, for welding, steel, according to DGUV
456 026 10	Ladder	5 rungs, 1428mm, primed, for welding, steel, according to DGUV
456 028 10	Ladder	6 rungs, 1738mm, primed, for welding, steel, according to DGUV
456 030 10	Ladder	7 rungs, 2035mm, primed, for welding, steel, according to DGUV

Ladders for bolted mounting



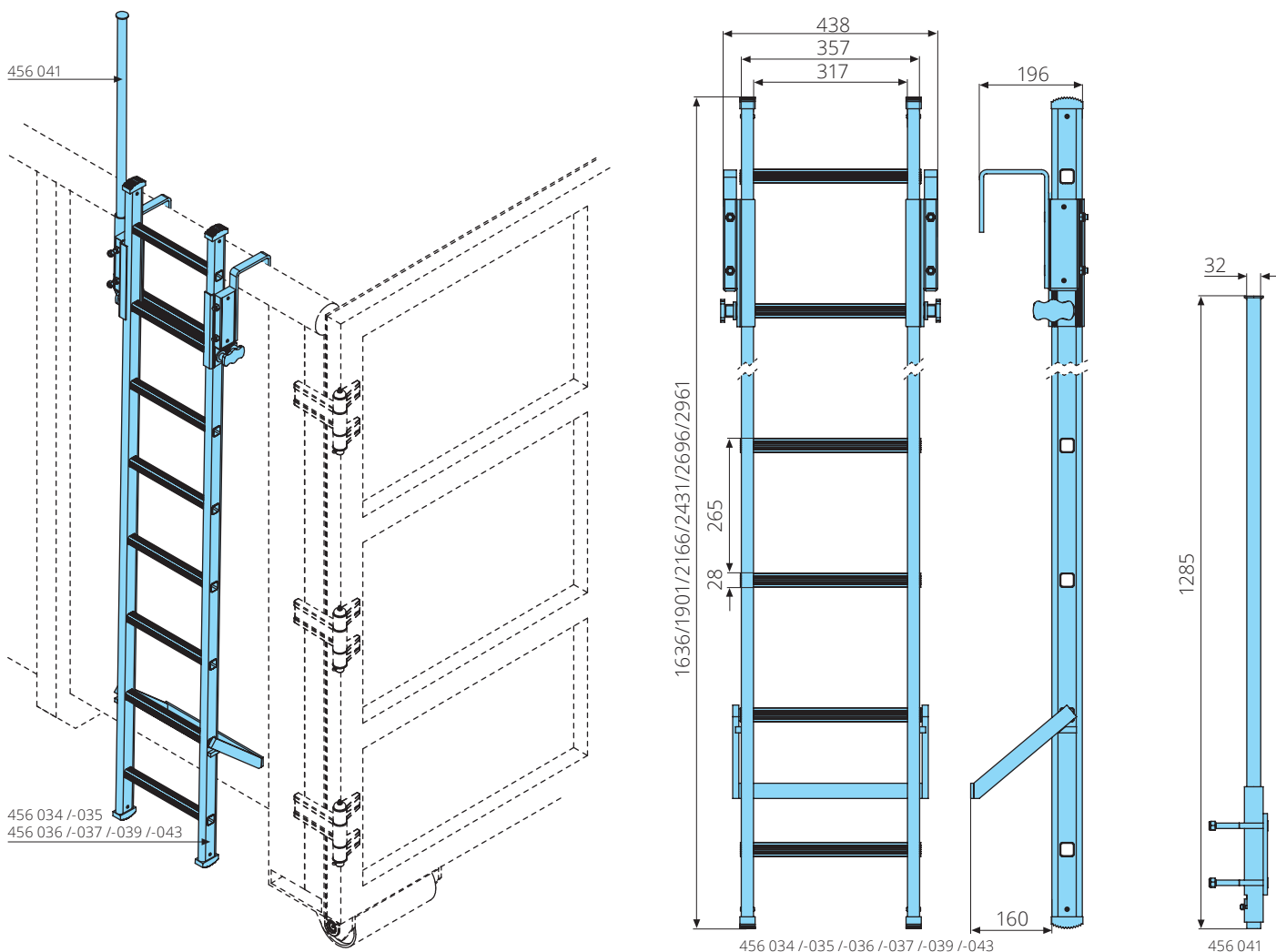
Article no.	Product	Description
456 052	Ladder	2 rungs, 595mm, galvanized, for bolted mounting, steel, according to DGUV
456 053	Ladder	3 rungs, 875mm, galvanized, for bolted mounting, steel, according to DGUV
456 054	Ladder	4 rungs, 1155mm, galvanized, for bolted mounting, steel, according to DGUV
456 055	Ladder	5 rungs, 1435mm, galvanized, for bolted mounting, steel, according to DGUV
456 056	Ladder	6 rungs, 1715mm, galvanized, for bolted mounting, steel, according to DGUV
456 057	Ladder	7 rungs, 1995mm, galvanized, for bolted mounting, steel, according to DGUV
456 059	Mounting plate	50x75x25mm, for ladders 456 052 /-053 /-054 /-055 /-056 /-057



Article no.	Product	Description
456 025 10	Ladder	4 rungs, 1103mm, galvanized, for bolted mounting, steel, according to DGUV
456 027 10	Ladder	5 rungs, 1428mm, galvanized, for bolted mounting, steel, according to DGUV
456 029 10	Ladder	6 rungs, 1738mm, galvanized, for bolted mounting, steel, according to DGUV
456 031 10	Ladder	7 rungs, 2035mm, galvanized, for bolted mounting, steel, according to DGUV
456 014	Mounting bracket	50x50x5mm, bore d=13mm
456 017	Bracket	50x50x5mm, with 2 bores d=13mm, galvanized

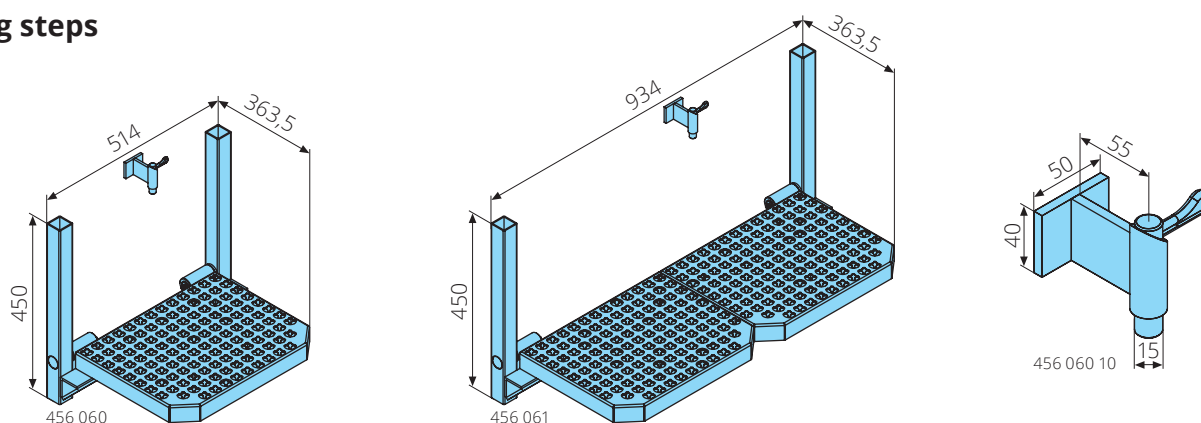
Article no.	Product	Description
456 030	Ladder	4 rungs, 1103mm, galvanized, for bolted mounting, steel, type BERINGER
456 033	Ladder	5 rungs, 1450mm, galvanized, for bolted mounting, steel, type BERINGER
456 031	Ladder	6 rungs, 1733mm, galvanized, for bolted mounting, steel, according to DGUV, type BERINGER
456 038	Ladder	7 rungs, 2010mm, galvanized, for bolted mounting, steel, type BERINGER
456 032	Ladder	8 rungs, 2293mm, galvanized, for bolted mounting, steel, according to DGUV, type BERINGER
456 030 03	Mounting plate	90x115x8mm, type BERINGER

Ladders with hooks



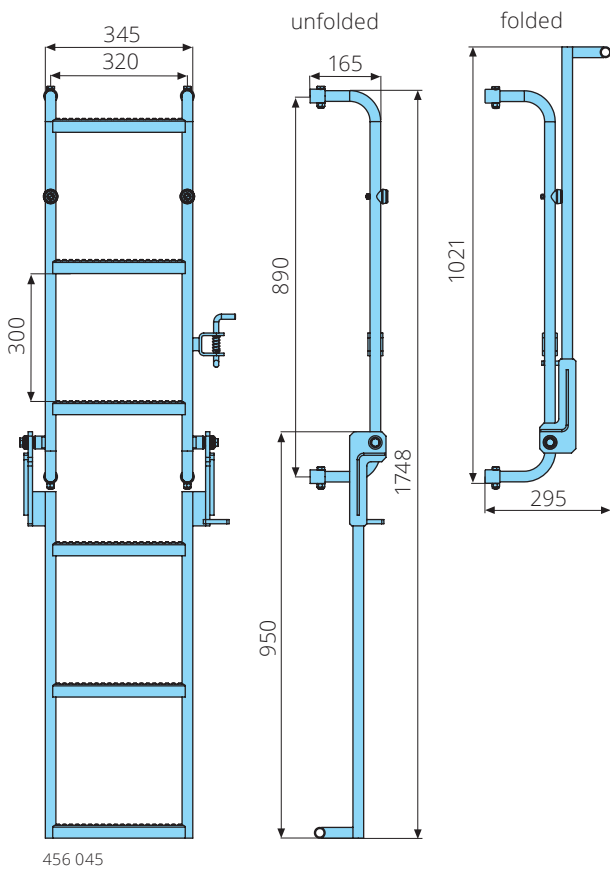
Article no.	Product	Description
456 034	Ladder with hooks	6 rungs, 1636mm, only according to DGUV with hand rail 456 041 (available separately)
456 035	Ladder with hooks	7 rungs, 1901mm, only according to DGUV with hand rail 456 041 (available separately)
456 036	Ladder with hooks	8 rungs, 2166mm, only according to DGUV with hand rail 456 041 (available separately)
456 037	Ladder with hooks	9 rungs, 2431mm, only according to DGUV with hand rail 456 041 (available separately)
456 039	Ladder with hooks	10 rungs, 2696mm, only according to DGUV with hand rail 456 041 (available separately)
456 043	Ladder with hooks	11 rungs, 2696mm, only according to DGUV with hand rail 456 041 (available separately)
456 041	Hand rail	1285x32mm, telescopic, for ladders with hooks 456 034/-035/-036/-037 /- 039, according to DGUV

Folding steps



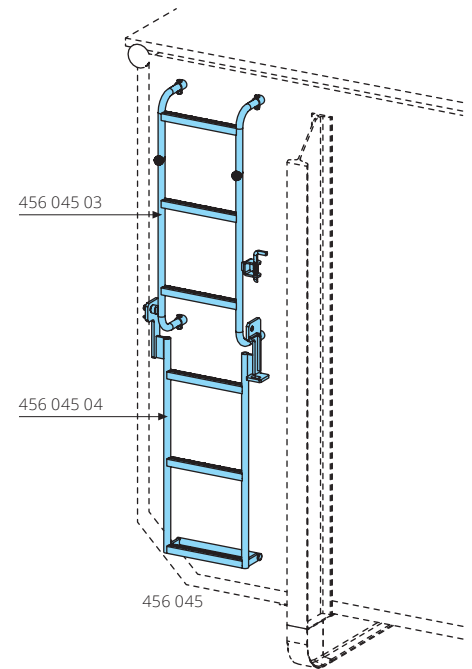
Article no.	Product	Description
456 060	Folding step	512x450x363,5mm, primed, grid step galvanized, with spring bolt 456 060 10
456 061	Folding step	934x450x363,5mm, primed, grid step galvanized, with spring bolt 456 060 10
456 060 10	Spring bolt	D=15mm, spring bolt galvanized, mount primed

Folding ladders

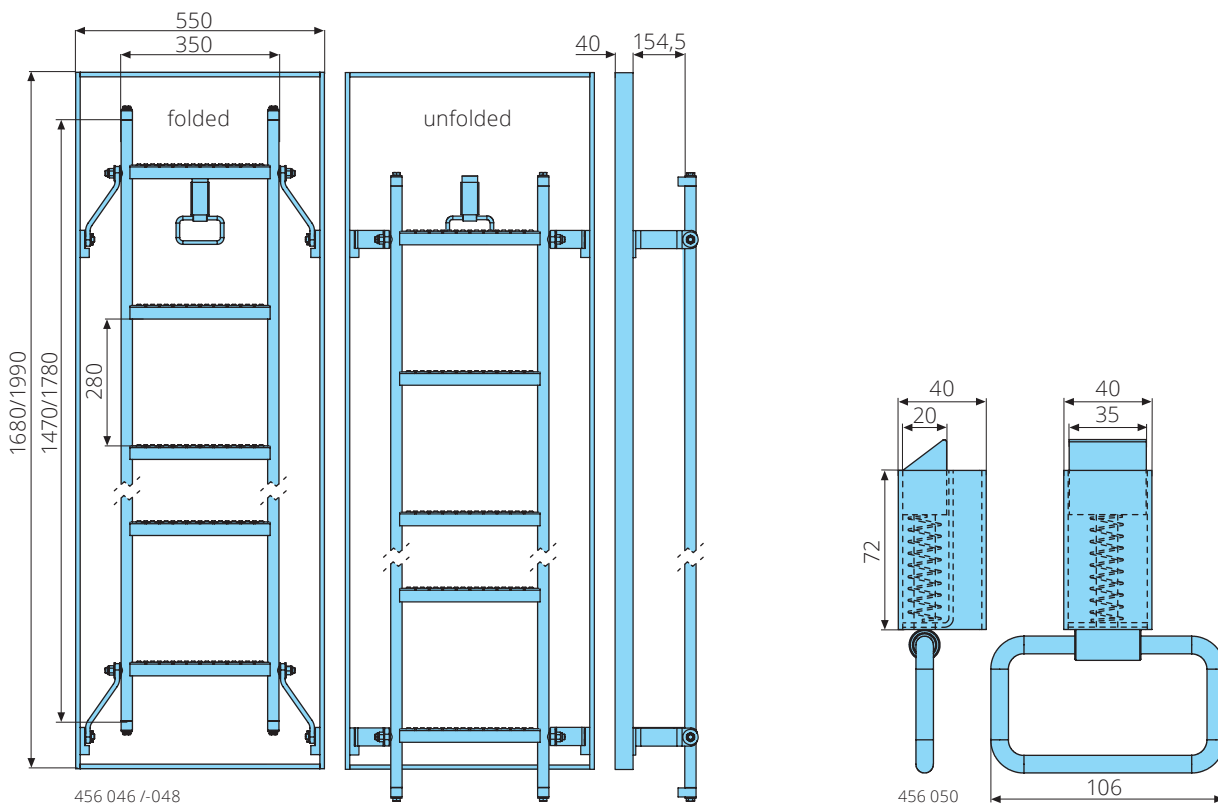


- the lower part of the ladder folds out of the danger zone
- everything can be screwed on, easy to replace
- the top of the ladder is rounded to prevent clothing from getting caught on it

Utility model DE 20 2012 006 322.7 / DE 20 2012 009 894.2



Article no.	Product	Description
456 045	Folding ladder	6 rungs, 1748mm, with spring bolt & bracket, for bolted mounting, galvanized
456 045 03	Folding ladder top	890mm, with spring bolt & bracket, galvanized
456 045 04	Folding ladder bottom	950mm, galvanized

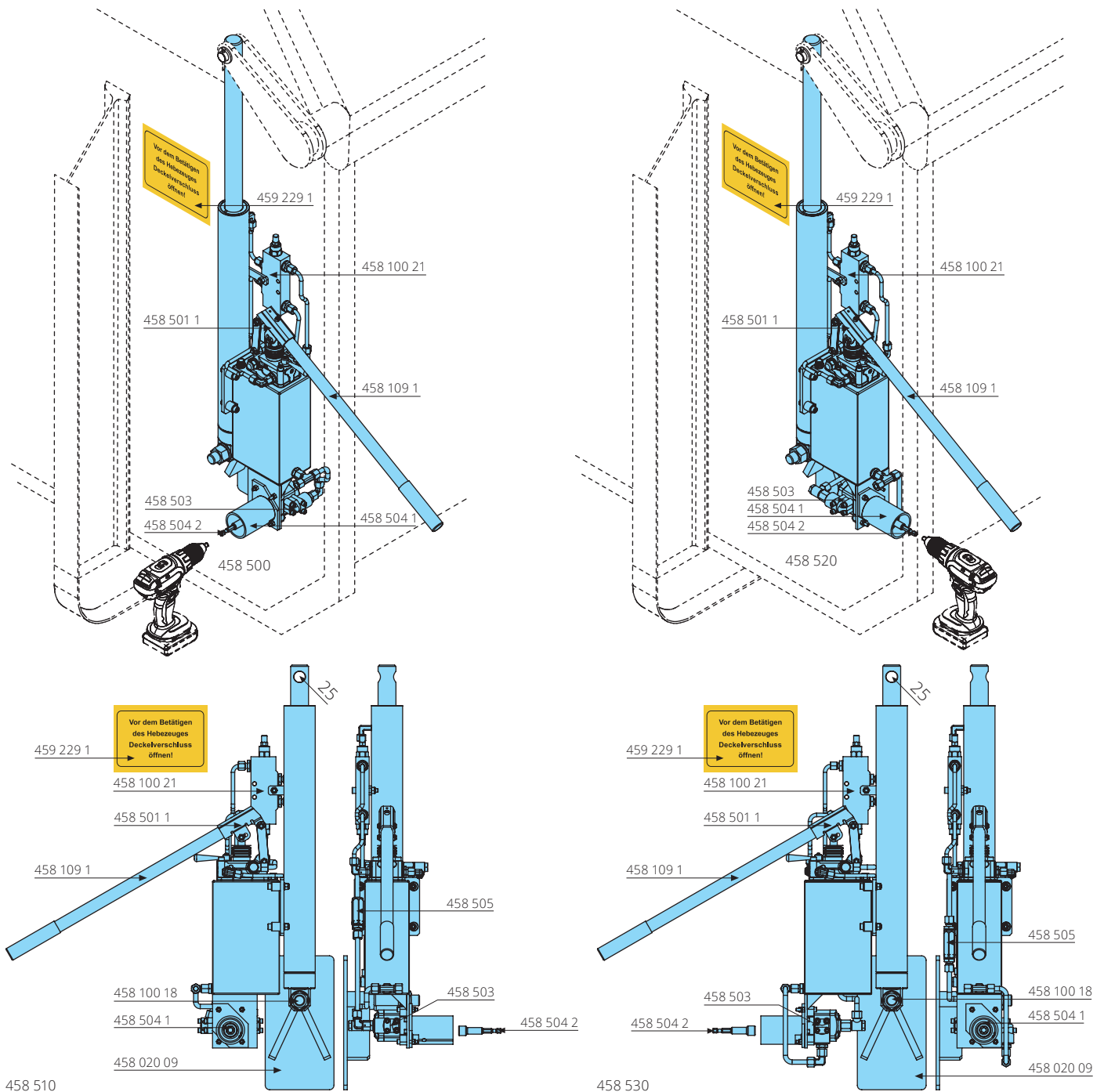


Article no.	Product	Description
456 046	Folding ladder	5 rungs, 1470mm, with spring bolt 456 050, for welding, steel
456 048	Folding ladder	6 rungs, 1780mm, with spring bolt 456 050, for welding, steel
456 050	Spring bolt	35x20mm

Lid hydraulics with adapter for cordless drill

- manual opening & closing is replaced by a cordless screwdriver
- opening & closing time is approx. 40 sec
- depending on optimal operating conditions, the lid can be opened & closed up to 3 times with one battery charge

- easy to replace due to screw & plug-in fastening
- with lowering brake, overflow & non-return valve
- with cylinder support & threaded bolt
- left/right direction



Article no.	Product	Description
458 500	Lid hydraulic complete	stroke 500mm, mounting left, frontal adapter, double-acting, 25cm ³
458 510	Lid hydraulic complete	stroke 500mm, mounting right, frontal adapter, double-acting, 25cm ³
458 520	Lid hydraulic complete	stroke 500mm, mounting left, adapter on the side, double-acting, 25cm ³
458 530	Lid hydraulic complete	stroke 500mm, mounting right, adapter on the side, double-acting, 25cm ³

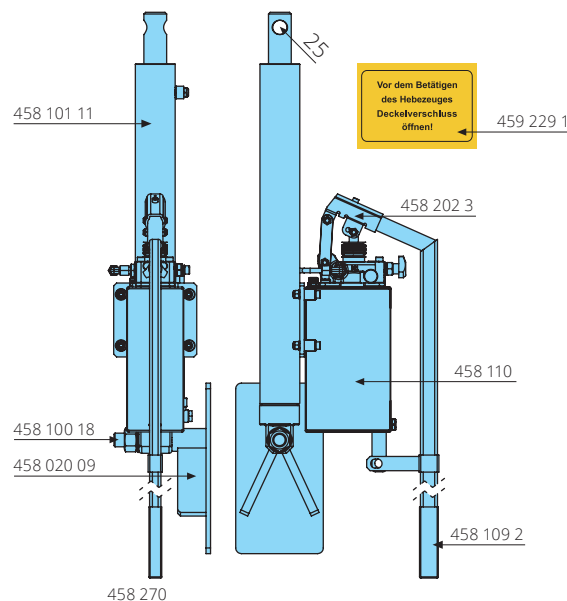
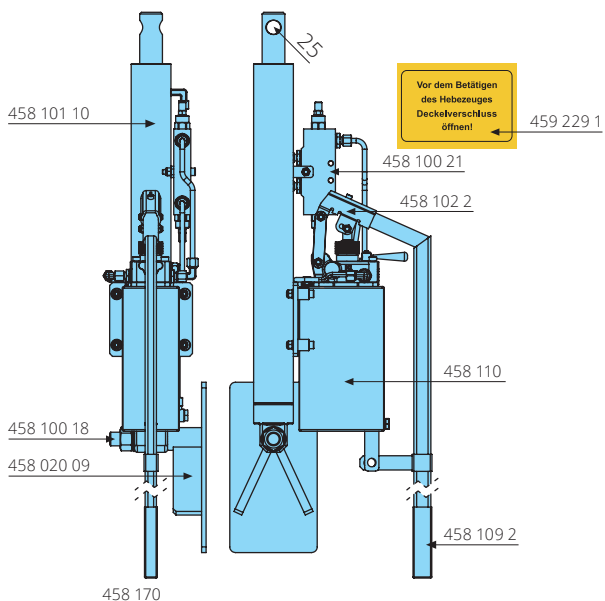
Article no.	Product	Description
458 501 1	Hand pump	25cm ³ , double-acting, with sealing, fittings & overflow valve
458 502	Gear pump	1,1cm ³ /rotation
458 503	Flange	3/8"
458 504 1	Adapter	for cordless drill
458 504 2	Socket	for cordless drill
458 505	Check valve	3/8"
458 100 21	Brake valve	3/8", for double-acting lid hydrauliks

Lid hydraulics / Lid hydraulics with hoses

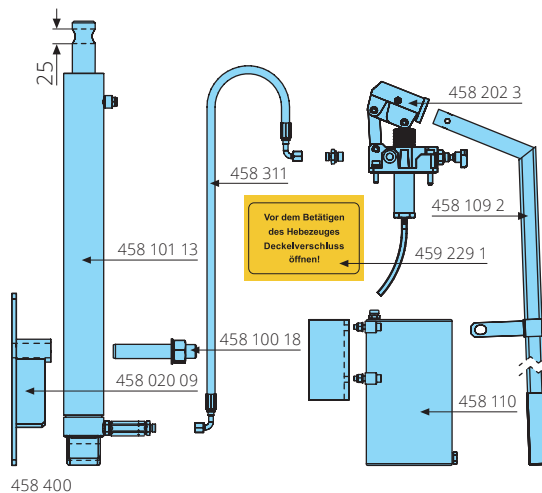
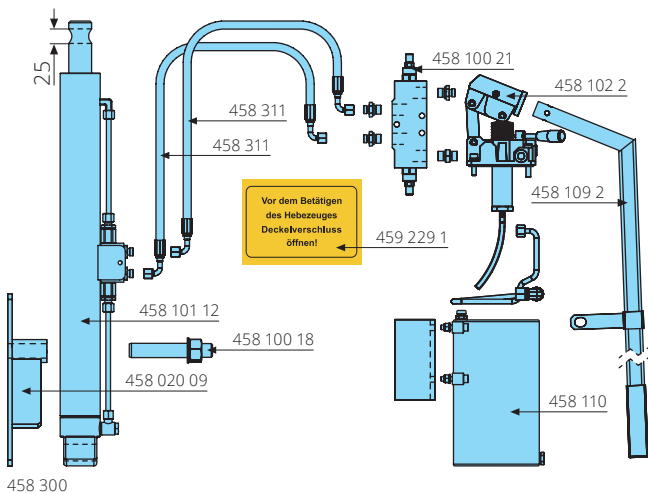
- flat design against the container wall
- 25 cm³ pumping volume, fewer strokes to open the lid
- pipes are pre-assembled, therefore little assembly work required

- lockable, the entire unit is protected against theft

Utility model DE 20 2015 002 812.8

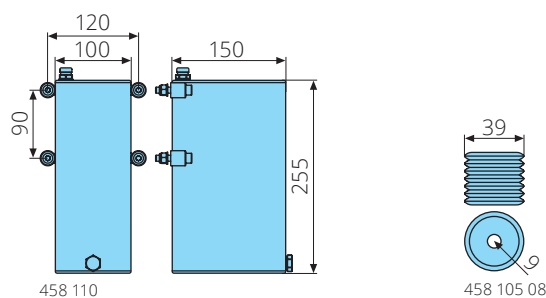


Article no.	Product	Description
458 170	Lid hydraulic complete	stroke 500mm, single-acting, with cylinder mounting, bolt, brake & overflow valve
458 101 10	Cylinder	stroke 500mm, double-acting, with mounting plate & bracket
458 102 2	Hand pump	25cm ³ , double-acting, with seal, fittings & overflow valve
458 100 21	Brake valve	3/8", for double-acting lid hydrauliks
Article no.	Product	Description
458 270	Lid hydraulic complete	stroke 500mm, single-acting, with overflow valve, not according to BG
458 101 11	Cylinder	stroke 500mm, single-acting
458 202 3	Hand pump	25cm ³ , single-acting, with sealing, fittings & overflow valve

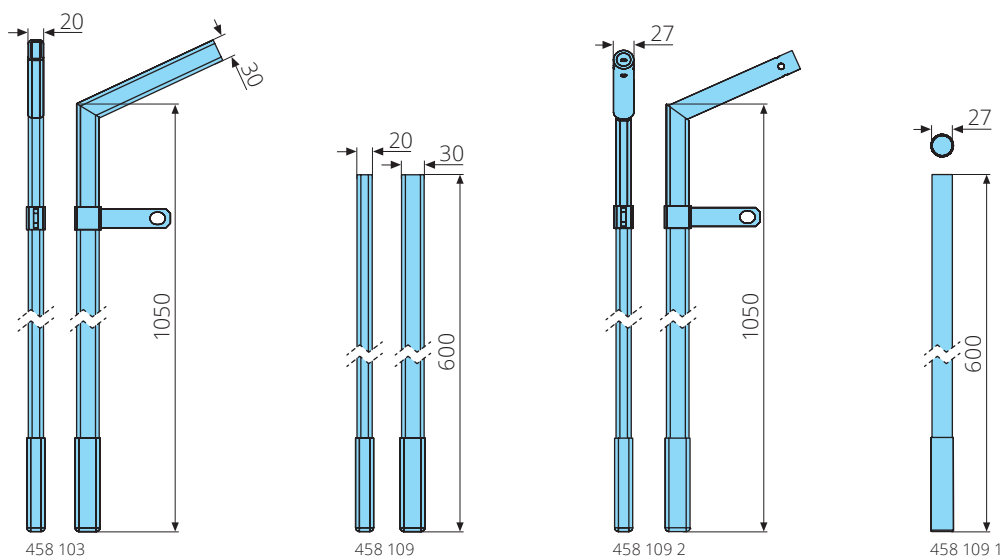


Article no.	Product	Description
458 300	Lid hydraulic with hoses complete	stroke 500mm, double-acting
458 101 12	Cylinder	stroke 500mm, double-acting
458 102 2	Hand pump	25cm ³ , double-acting, with seal, fittings & overflow valve
458 311	Hydraulic hose	3/8", L=1200mm, 2 needed for double-acting hand pump
458 100 21	Brake valve	3/8", for double-acting lid hydrauliks
Article no.	Product	Description
458 400	Lid hydraulic with hose complete	stroke 500mm, single-acting, not according to BG
458 101 13	Cylinder	stroke 500mm, single-acting, with hose rupture safety valve
458 202 3	Hand pump	25cm ³ , single-acting, with sealing, fittings & overflow valve
458 311	Hydraulic hose	3/8", L=1200mm, 2 needed for double-acting hand pump

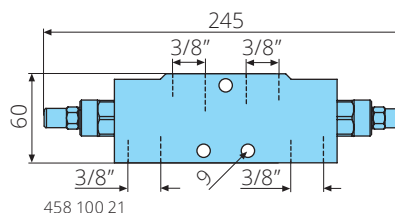
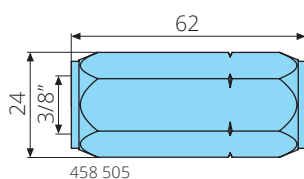
Accessories for lid hydraulics



Article no.	Product	Description
458 110	Tank	3 litre, painted
458 105 08	Rubber bellow	d=9mm, for hand pumps



Article no.	Product	Description
458 103	Lever	30x20x1050mm, square, galvanized, with padlock fitting
458 109	Lever	30x20x600mm, square, galvanized
458 109 2	Lever	27x1050mm, round, galvanized, with padlock fitting
458 109 1	Lever	27x600mm, round, galvanized



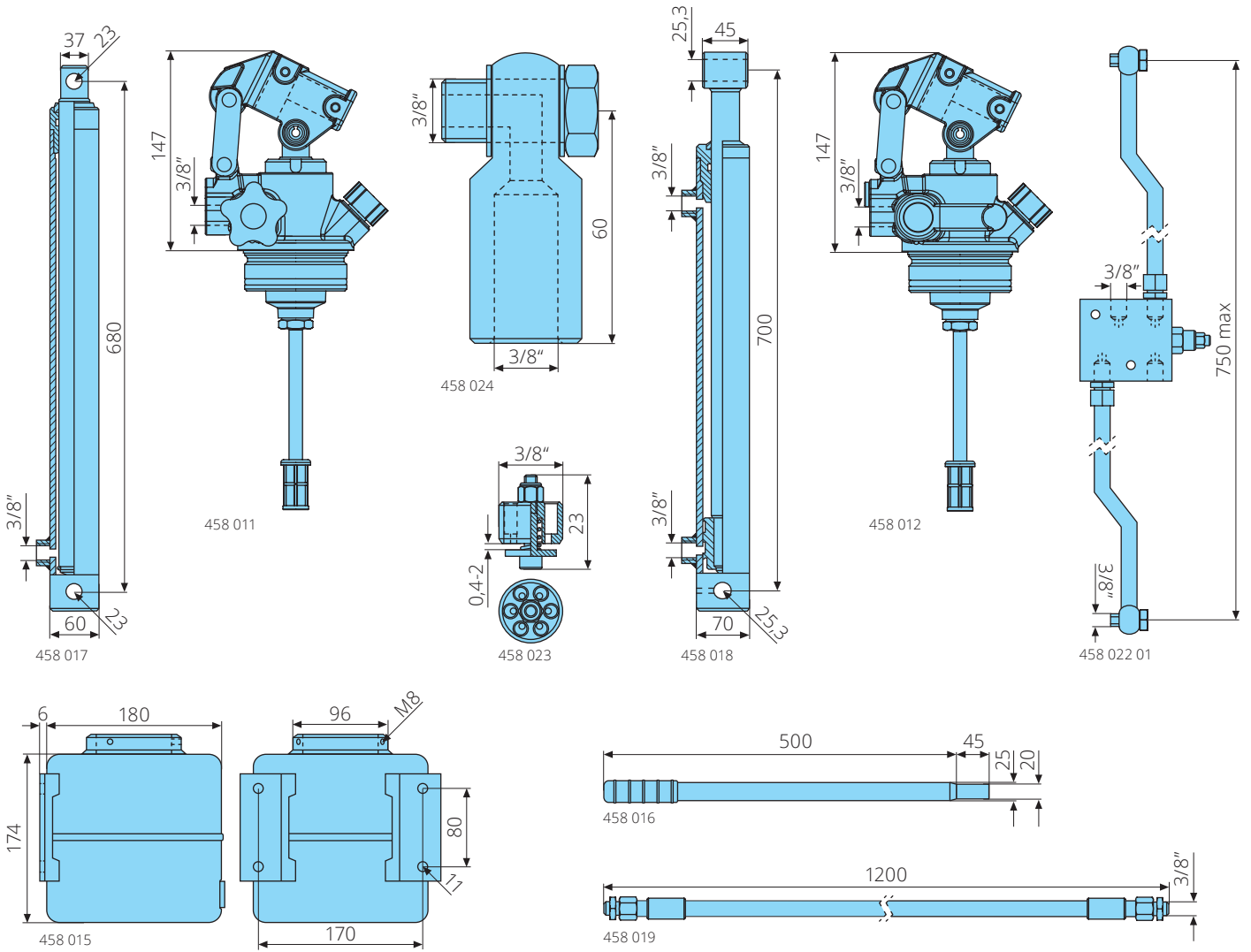
Article no.	Product	Description
458 505	Check valve	3/8"
458 100 21	Brake valve	3/8", for double-acting lid hydrauliks



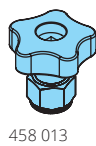
459 229 /-229 1

Article no.	Product	Description
459 229	PVC sticker "Deckelverschluss öffnen!"	210x150mm, 2 stickers/sheet
459 229 1	PVC sticker Deckelverschluss öffnen!	210x150mm

Lid hydraulics in parts



Article no.	Product	Description
458 017	Cylinder	Hub 550mm, single-acting
458 011	Hand pump	single-acting, 15cm ³ , 200bar, with filter, hose & seal set 458 025
458 023	Hose rupture safety valve	3/8", for double- & single-acting cylinder
458 024	BANJO elbow fitting	3/8", pivoting
Article no.	Product	Description
458 018	Cylinder	Hub 550mm, double-acting
458 012	Hand pump	double-acting, 20cm ³ , 150bar, with filter, hose & seal set 458 025
458 019	Hydraulic hose	3/8", L=1200mm, GE 12LR, 2 straight reducer unions
458 022 01	Check valve	3/8", for double-acting cylinder, 2 pivoting elbow fittings, brake valve
Article no.	Product	Description
458 015	Tank	180x194mm, 4 litre, grey
458 016	Lever	20x545mm
458 019	Hydraulic hose	3/8", L=1200mm, GE 12LR, 2 straight reducer unions



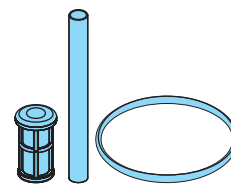
458 013



458 014



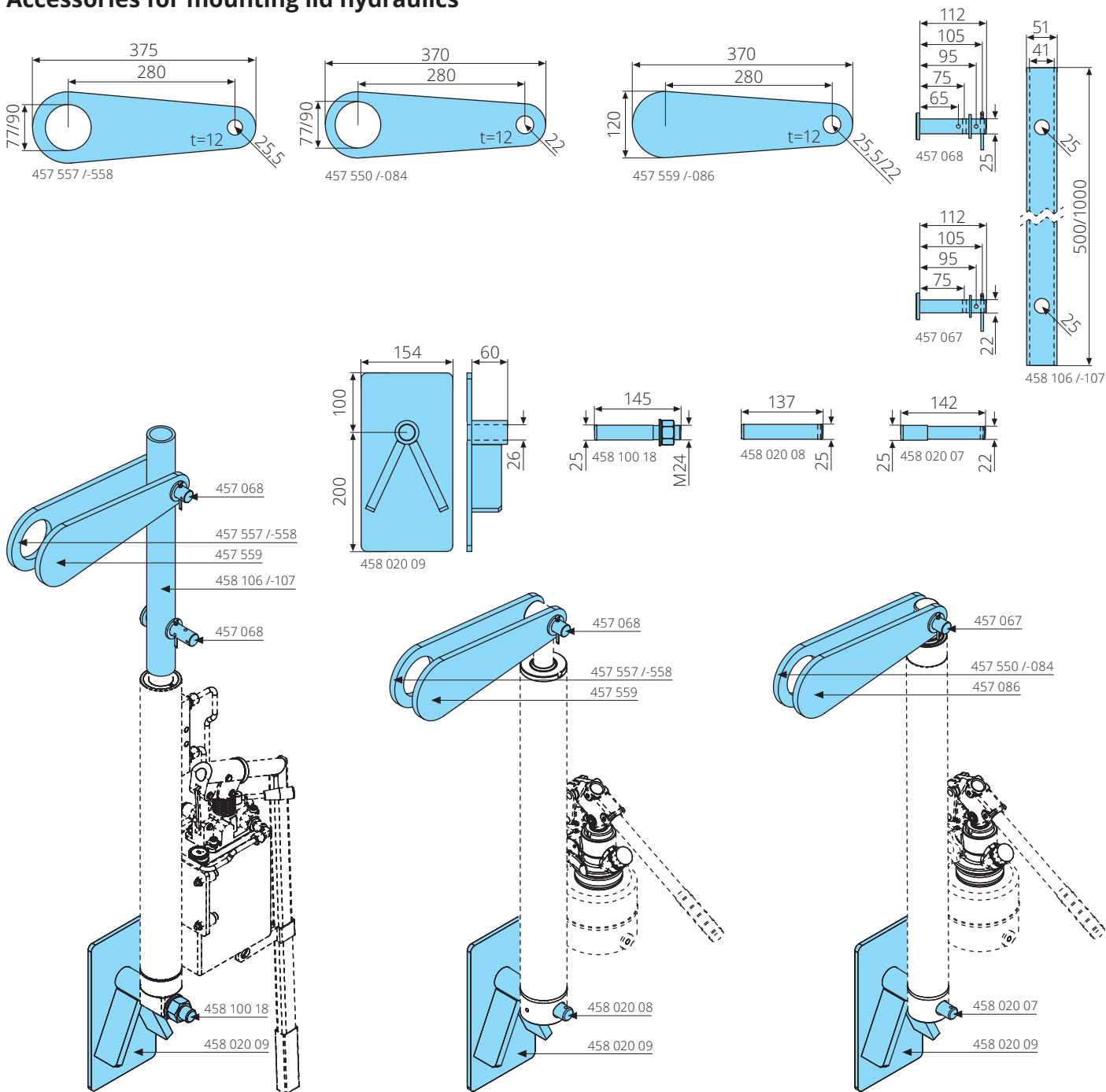
458 028



458 025

Article no.	Product	Description
458 013	Valve with hand wheel	plastic hand wheel
458 014	Hand wheel	plastic
458 028	Filler neck	plastic
458 025	Filter set for hand pumps	with filter, hose & seal

Accessories for mounting lid hydraulics

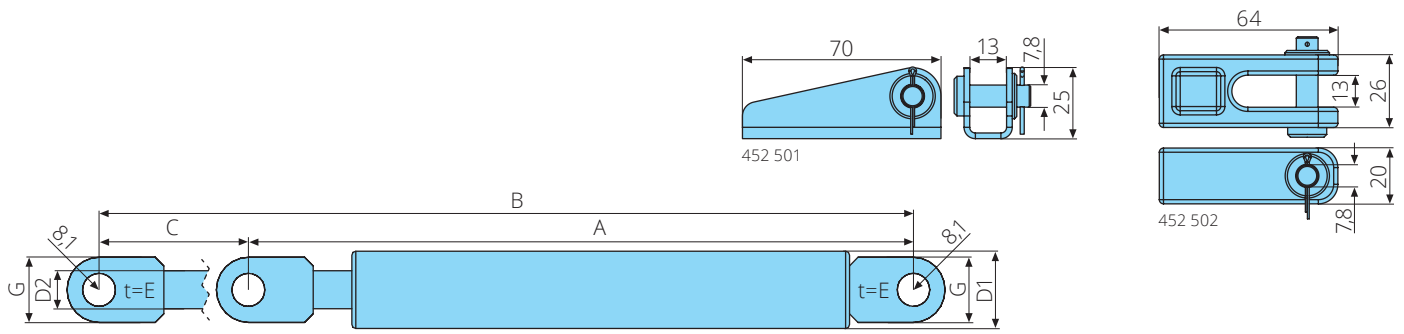


Article no.	Product	Description
457 557	Jack arm	L=375mm, t=12mm, d=77, bore for bolt d=25,5mm
457 558	Jack arm	L=375mm, t=12mm, d=90, bore for bolt d=25,5mm
457 559	Jack arm	L=370mm, t=12mm, bore for bolt d=25,5mm
457 550	Jack arm	L=370mm, t=12mm, d=77mm, bore for bolt d=22mm
457 084	Jack arm	L=370mm, t=12mm, d=90mm, bore for bolt d=22mm
457 086	Jack arm	L=370mm, t=12mm, bore for bolt d=22mm
457 068	Bolt	25x112mm, with cotter pin & washer, 4 bores
457 067	Bolt	22x112mm, with cotter pin & washer, 3 bores, for single acting cylinder top

Article no.	Product	Description
458 106	Hydraulic extension	41-51-500mm
458 107	Hydraulic extension	41-51-1000mm

Article no.	Product	Description
458 020 09	Cylinder mounting	d=26mm, without bolt
458 100 18	Adapter bolt	25x145mm, for cylinder & jack mounting d=26mm, with nut M24
458 020 07	Adapter bolt	22x142mm, for cylinder mounting 458 020 09, with bore for cotter pin
458 020 08	Adapter bolt	25x137mm, for cylinder mounting 458 020 09, with bore for cotter pin

Gas springs



Article no.	Product	Spring force	Stroke C	Length A	Length B	Cylinder D1	Piston D2	Eyes			
452 500	Gas spring	250N	100mm	201mm	300,5mm	22mm	10mm	E = 12mm G = 17mm Eyes with thread			
452 505	Gas spring	500N		150mm	295mm				444,5mm		
452 510	Gas spring	250N	200mm		305mm				504,5mm		
452 515	Gas spring	500N		250mm	402mm				651,5mm		
452 520	Gas spring	750N	300mm		451mm				750,5mm		
452 525	Gas spring	1000N		300mm	450mm				749,5mm		
452 530	Gas spring	250N	400mm		496,5mm				896,5mm		
452 535	Gas spring	500N		100mm	185mm				285mm	22mm	14mm
452 540	Gas spring	750N	150mm		235mm				385mm		
452 545	Gas spring	1000N		200mm	285mm				485mm		
452 550	Gas spring	250N	250mm		335mm	585mm					
452 555	Gas spring	500N		300mm	385mm	685mm					
452 560	Gas spring	750N	400mm		490mm	890mm					
452 565	Gas spring	1000N									
452 571	Gas spring	500N									
452 575	Gas spring	750N									
452 580	Gas spring	1000N									
452 585	Gas spring	1250N									
452 590	Gas spring	1500N									
452 595	Gas spring	500N									
452 600	Gas spring	750N									
452 605	Gas spring	1000N									
452 610	Gas spring	1250N									
452 615	Gas spring	1500N									
452 620	Gas spring	2000N									
452 625	Gas spring	250N									
452 630	Gas spring	500N									
452 635	Gas spring	250N									
452 640	Gas spring	500N									
452 645	Gas spring	750N									
452 650	Gas spring	1000N									
452 655	Gas spring	1150N									
452 660	Gas spring	250N									
452 665	Gas spring	500N									
452 670	Gas spring	750N									
452 675	Gas spring	1000N									
452 680	Gas spring	1150N									
452 685	Gas spring	250N									
452 690	Gas spring	500N									
452 695	Gas spring	750N									
452 700	Gas spring	1000N									
452 705	Gas spring	1150N									
452 710	Gas spring	500N									
452 715	Gas spring	750N									
452 720	Gas spring	1000N									
452 725	Gas spring	1150N									
452 730	Gas spring	500N									
452 735	Gas spring	750N									
452 740	Gas spring	950N									

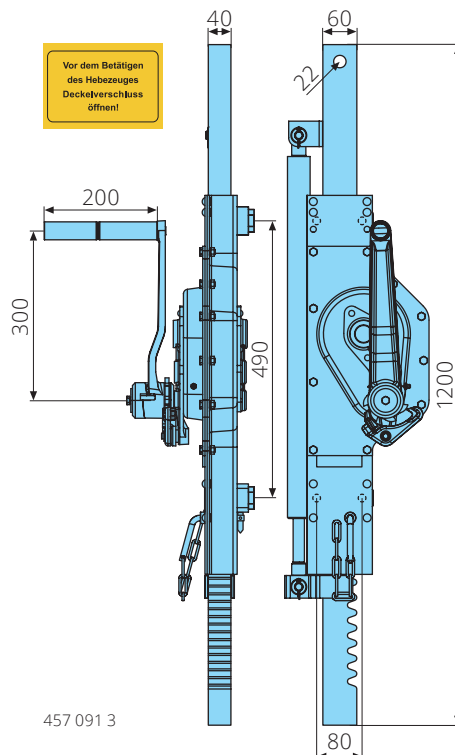
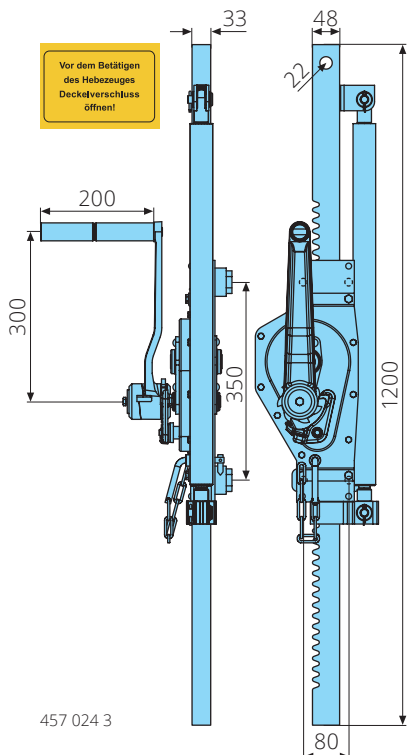
Article no.	Product	Description
452 502	Bracket for gas spring	with pin, cotter pin & washer
452 501	Bracket for gas spring	with pin, cotter pin & washer

Container wall jacks with gas spring

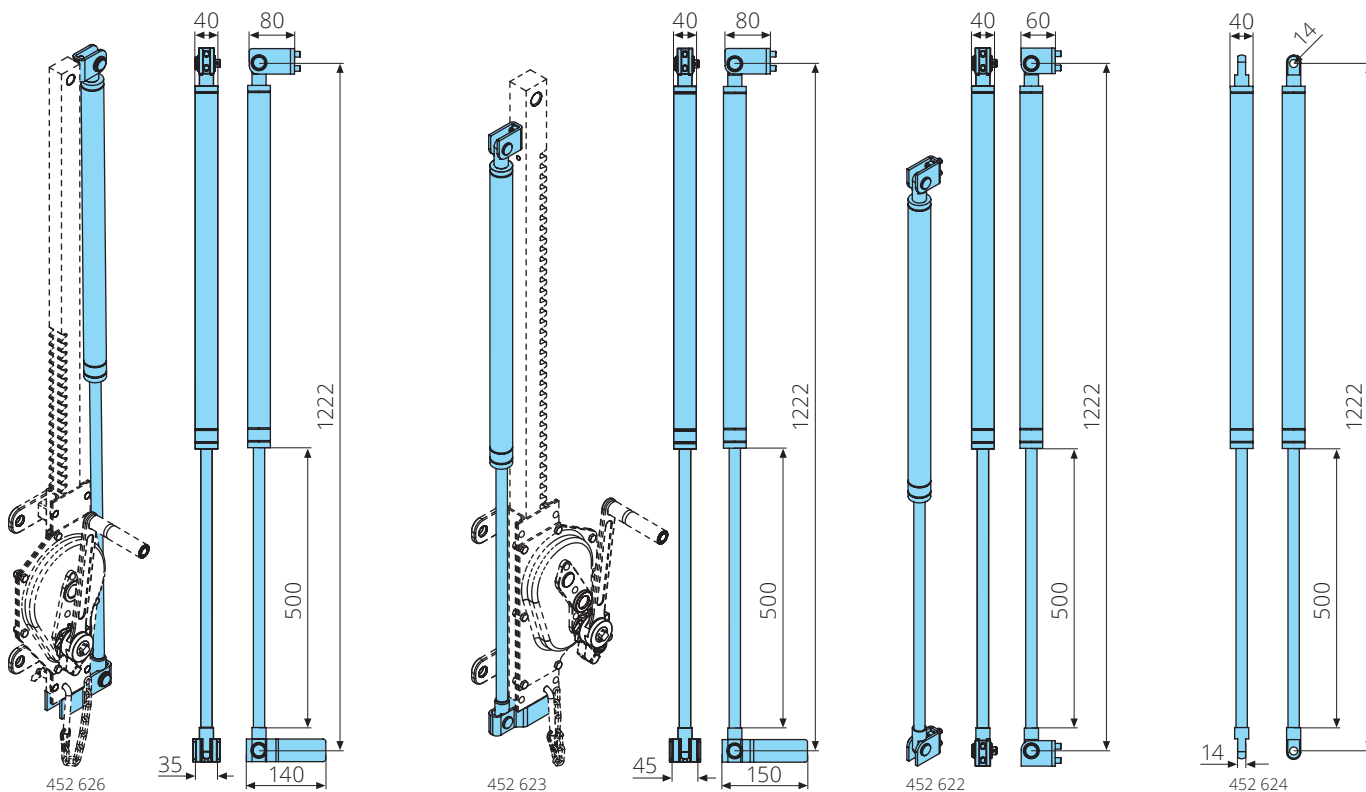
- the gas spring greatly reduces the force required (5000 N)
- the safety plug prevents unintentional destruction of the lid, as the roof is often not secured before operation

- installation requires only screws & bolts, quick change possible

Utility model DE 20 2009 007 876.0

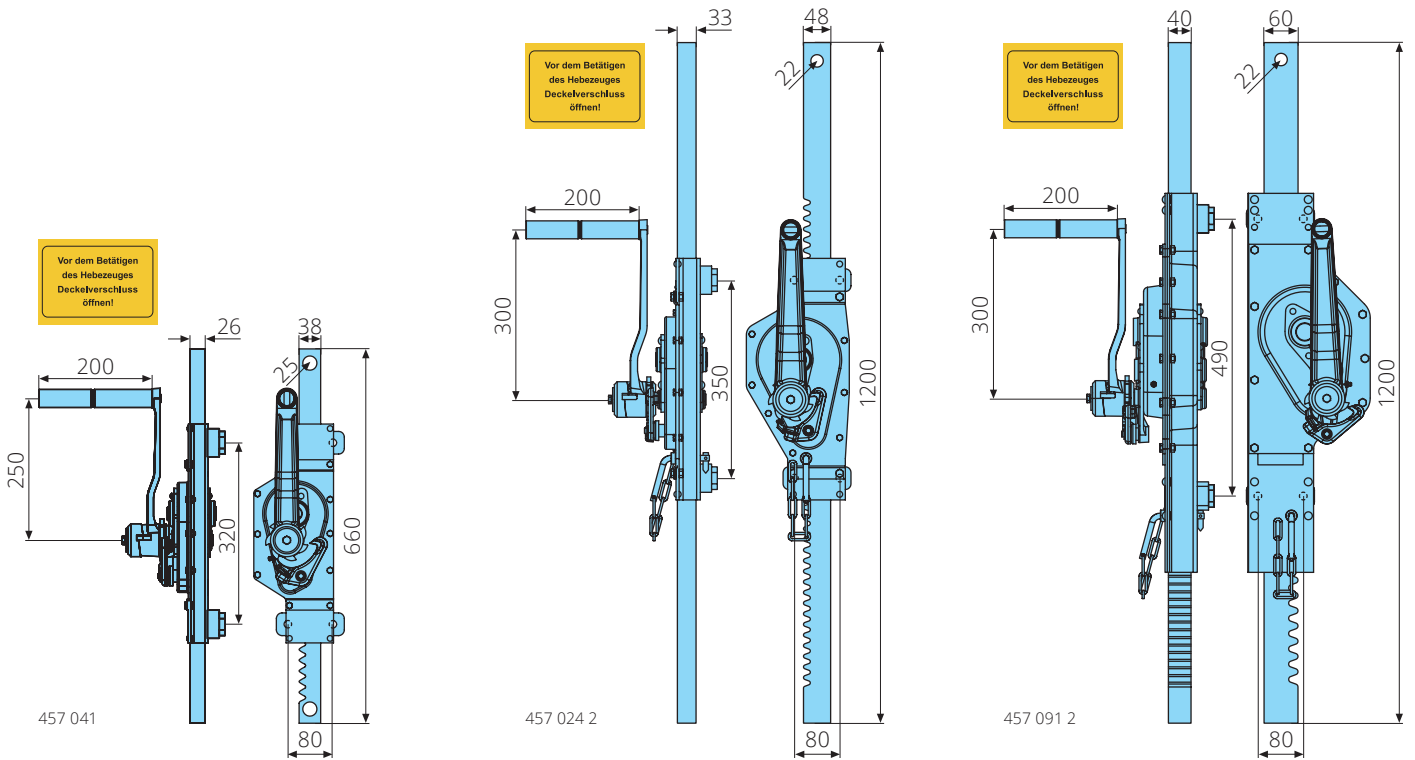


Article no.	Product	Description
457 024 3	Container wall jack	lifting force 3t, lifting capacity 5t, stroke 500mm, with gas spring 452 626 & safety pin
457 091 3	Container wall jack	lifting force 5t, lifting capacity 10t, stroke 500mm, with gas spring 452 622 & safety pin



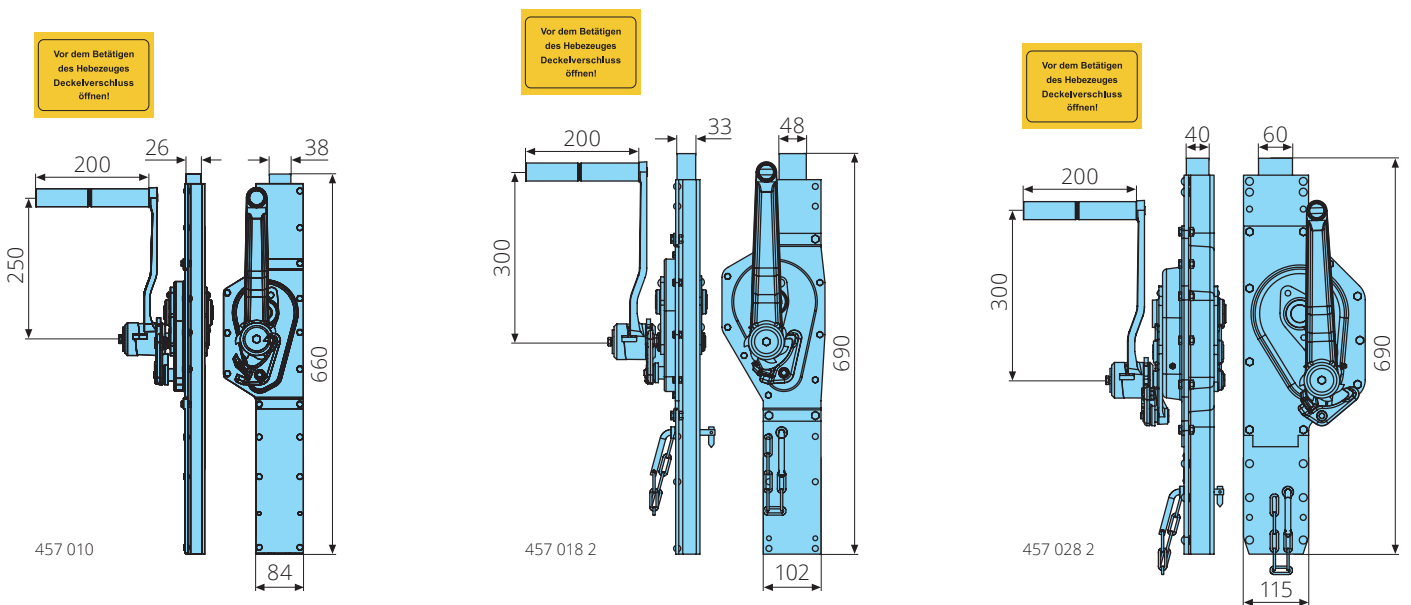
Article no.	Product	Description
452 626	Gas spring with mounting set for 3t jack	5000N, stroke 500mm, eyes with thread, total length 1222mm
452 623	Gas spring with mounting set for 5t jack	5000N, stroke 500mm, eyes with thread, total length 1222mm
452 622	Gas spring with mounting set for jacks	5000N, stroke 500mm, eyes with thread, total length 1222mm
452 624	Gas spring	5000N, stroke 500mm, eyes with thread, total length 1222mm

Container wall jacks



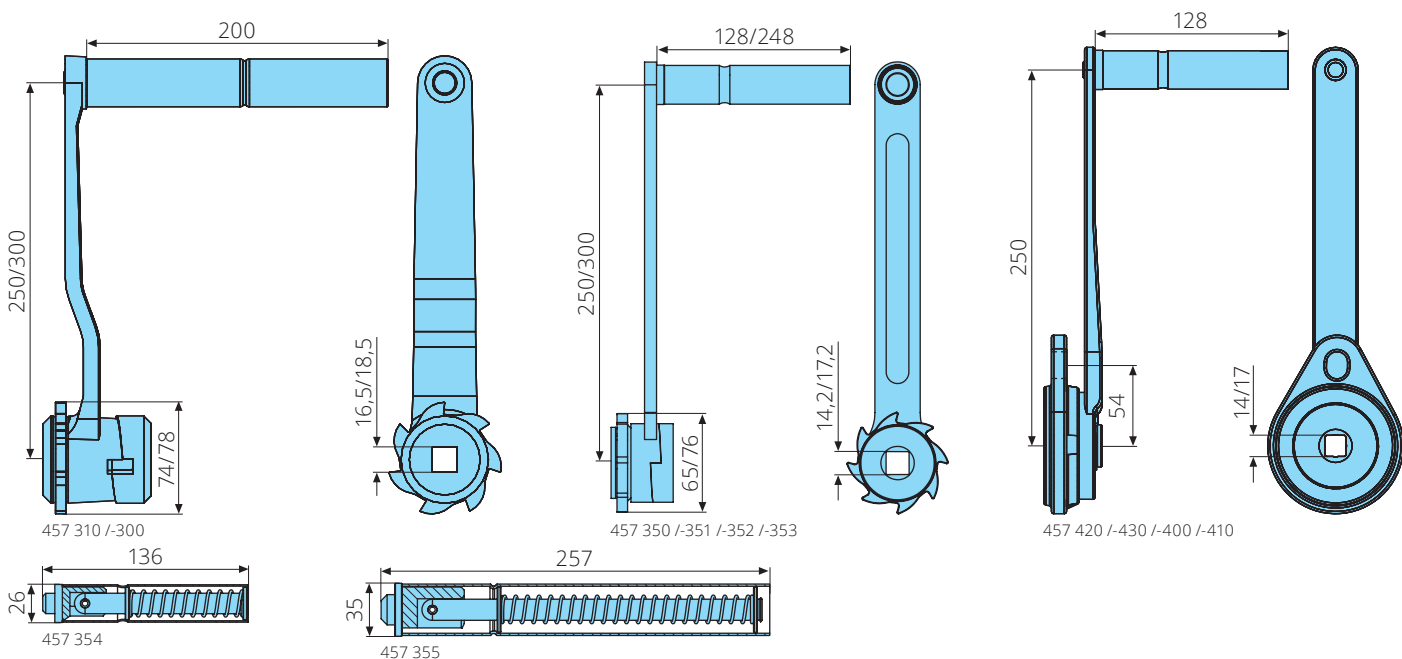
Article no.	Product	Description
457 041	Container wall jack	lifting force 1,75t, lifting capacity 2,5t, stroke 350mm,
457 024 2	Container wall jack	lifting force 3t, lifting capacity 5t, stroke 800mm, with safety pin
457 091 2	Container wall jack	lifting force 5t, lifting capacity 10t, stroke 800mm, with safety pin

Containerwinden

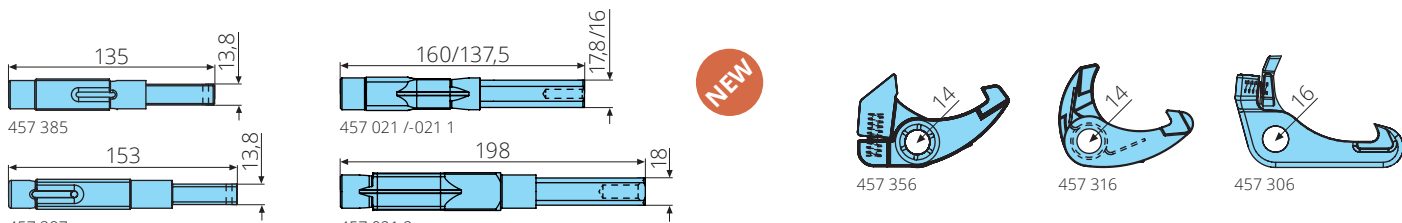


Article no.	Product	Description
457 010	Container jack	lifting force 1,75t, lifting capacity 2,5t, stroke 345mm
457 018 2	Container jack	lifting force 3t, lifting capacity 5t, stroke 360mm, with safety pin
457 028 2	Container jack	lifting force 5t, lifting capacity 10t, stroke 345mm, with safety pin

Accessories for jacks



Article no.	Product	Description
457 310	Crank	L=250mm, square 16,5mm, with coupling, type BRANO
457 300	Crank	L=300mm, square 18,5mm, with coupling, type BRANO
457 350	Safety crank	L=250mm, square 14,2mm, D=65mm, galvanized
457 351	Safety crank	L=250mm, square 17,2mm, D=65mm, galvanized
457 352	Safety crank	L=300mm, square 14,2mm, D=76mm
457 353	Safety crank	L=300mm, square 17,2mm, D=76mm
457 420	Pressure roller crank	L=250mm, square 14mm, with foldable handle
457 430	Pressure roller crank	L=250mm, square 17mm, with foldable handle
457 400	Aluminum safety crank	L=250mm, square 14mm, with foldable handle
457 410	Aluminum safety crank	L=250mm, square 17mm, with foldable handle
457 354	Foldable handle	L=136mm, for safety crank & pressure roller crank L=250mm
457 355	Foldable handle	L=257mm, for safety crank L=300



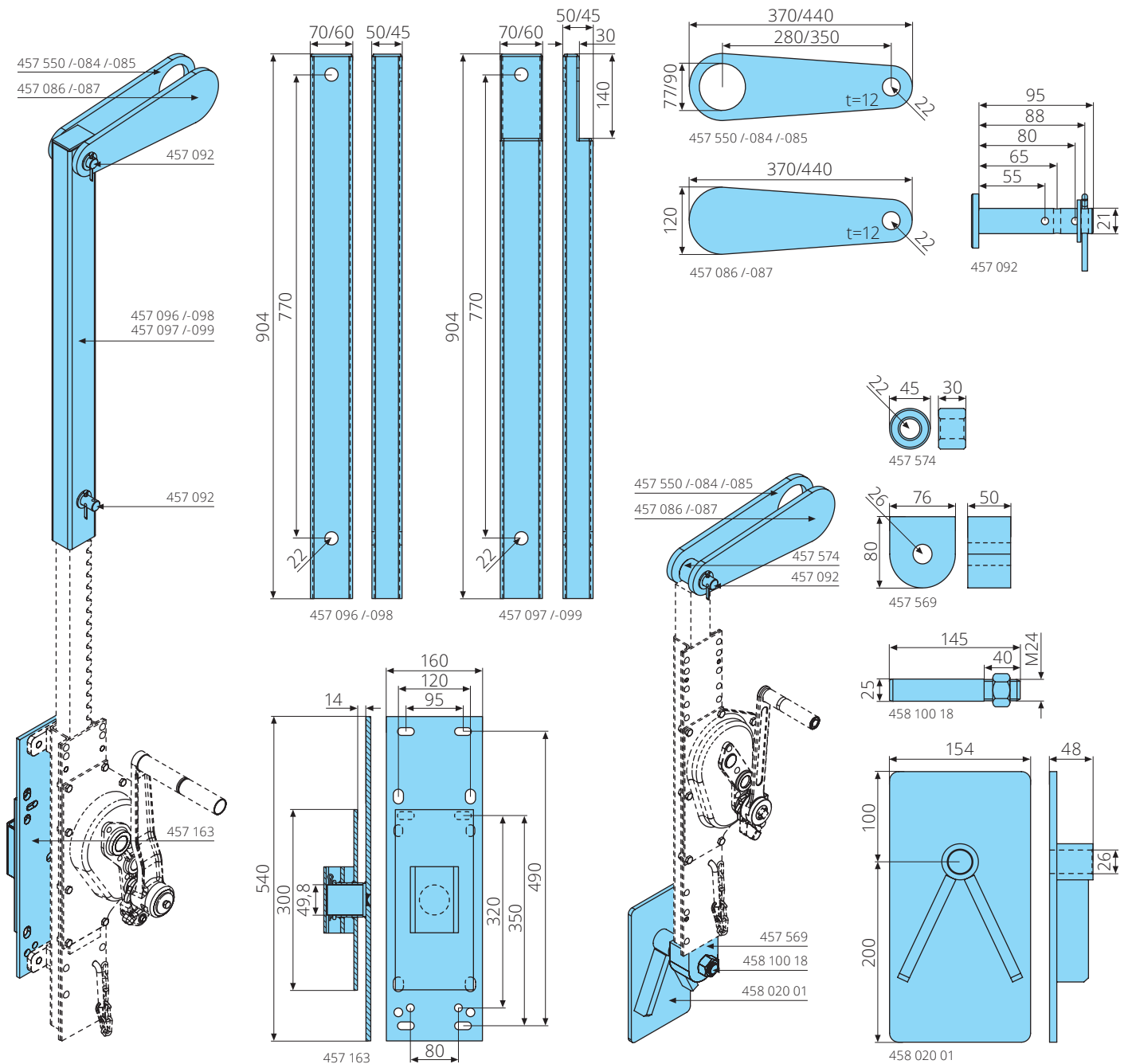
Article no.	Product	Description
457 385	Crank drive	L=135mm, square 13,8mm, for 3t jacks, type HZE/BÖCKER
457 387	Crank drive	L=153mm, square 13,8mm, for 5t jacks, type HZE/BÖCKER
457 021	Crank drive	L=160mm, square 17,8mm, for 3,5t jacks, type REWALD/BRANO
457 021 1	Crank drive	L=160mm, square 17,8mm, for 3,5t jacks, type REWALD/BRANO
457 021 2	Crank drive	L=160mm, square 17,8mm, for 3,5t jacks, type REWALD/BRANO
457 356	Repair kit	d=14mm, for 1,5-5t jacks, with spring, pin, clamping rings, large & small pawls, type BÖCKER/HZE
457 316	Repair kit	d=14mm, with spring, large & small pawl, type HAACON
457 306	Repair kit	d=16mm, with spring, large & small pawl, type REWALD/BRANO

**Vor dem Betätigen
des Hebezeuges
Deckelverschluss
öffnen!**

459 229 / -229 1

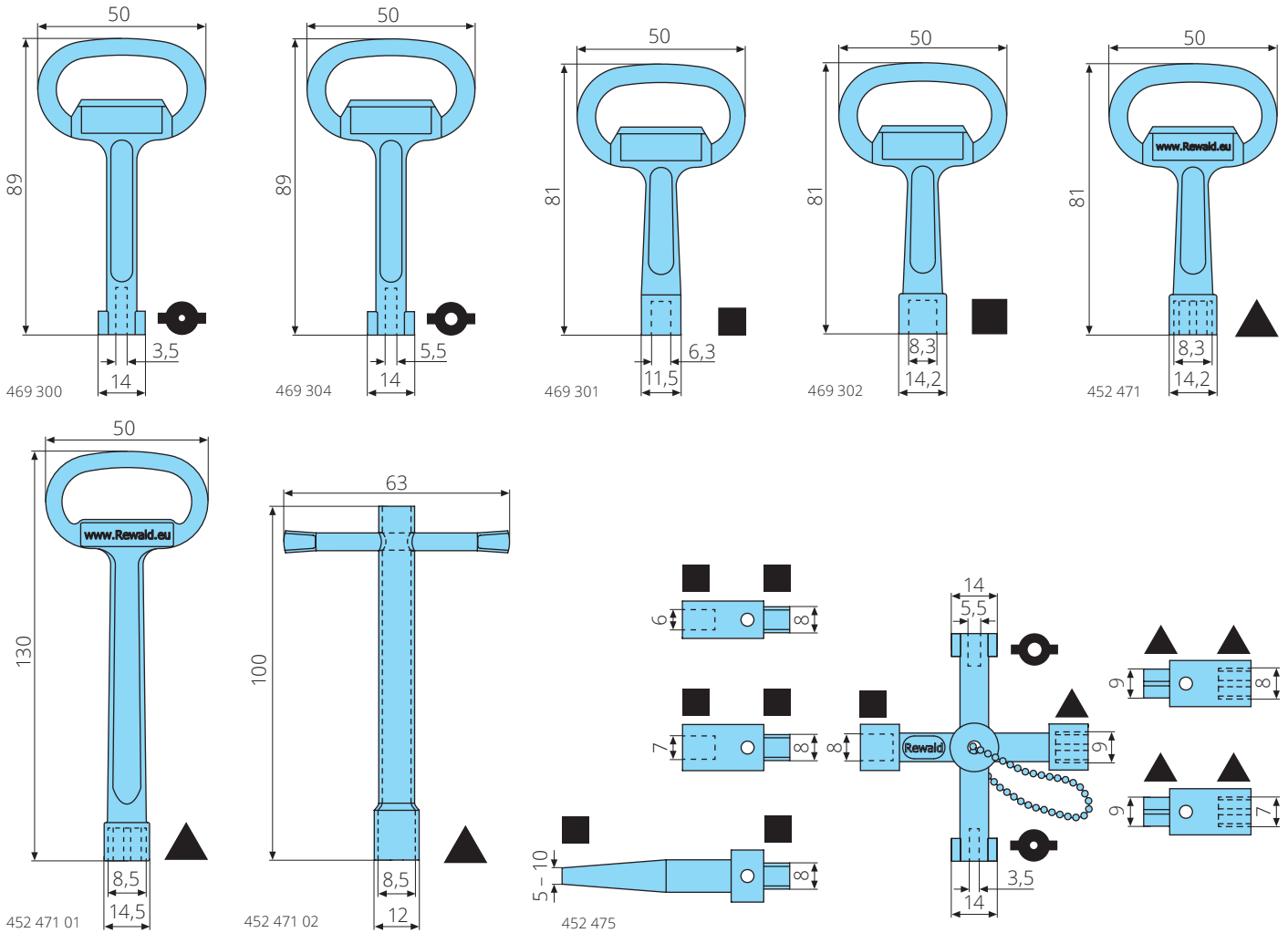
Article no.	Product	Description
459 229	PVC sticker "Deckelverschluss öffnen!"	210x150mm, 2 stickers/sheet
459 229 1	PVC sticker "Deckelverschluss öffnen!"	210x150mm

Accessories for mounting jacks

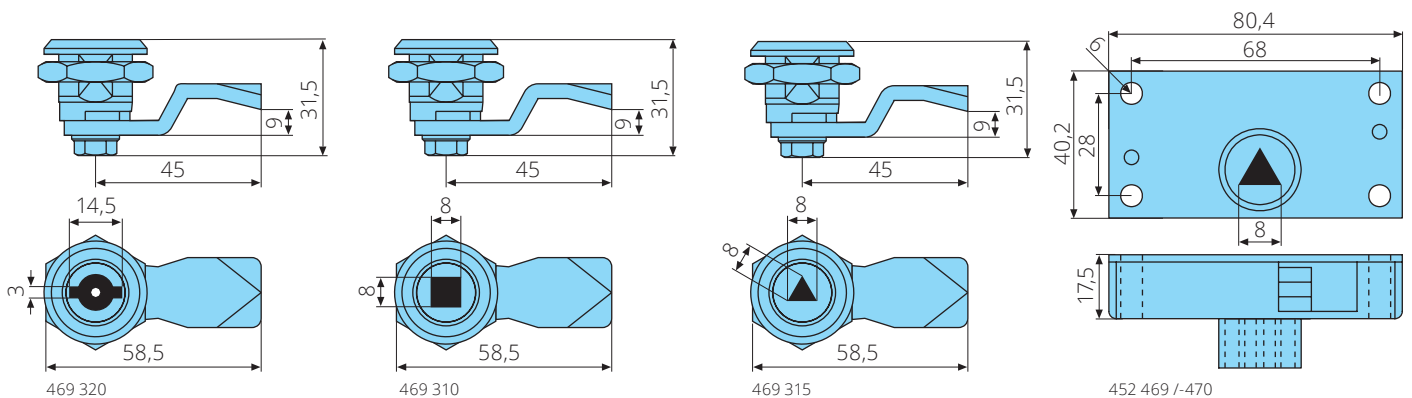


Article no.	Product	Description
457 550	Jack arm	L=370mm, t=12mm, d=77mm, bore for bolt d=22mm
457 084	Jack arm	L=370mm, t=12mm, d=90mm, bore for bolt d=22mm
457 085	Jack arm	L=440mm, t=12mm, d=90mm
457 086	Jack arm	L=370mm, t=12mm, bore for bolt d=22mm
457 087	Jack arm	L=440mm, t=12mm
457 092	Bolt	21x95mm, with cotter pin & washer, 4 bores, for jack extensions & jacks
Article no.	Product	Description
457 096	Jack extension	904x70x50mm, for 5t jacks 457 091 2 /-091 3 /-028 2
457 097	Jack extension	904x70x50/30mm, for 5t jacks 457 091 2 /-091 3 /-028 2, with shoulder
457 098	Jack extension	904x60x45mm, for 3t jacks 457 024 2 /-024 3 /-018 2
457 099	Jack extension	904x60x45/30mm, for 3t jacks 457 024 2 /-024 3 /-018 2, with shoulder
Article no.	Product	Description
457 163	Mounting kit for jacks	160x430mm, with mounting plate, bolt, bushing & cover, for container wall jacks
457 574	Jack bushing	d=22mm, for welding, top
457 569	Jack bushing	d=26mm, for welding, bottom
458 020 01	Jack mounting	d=26mm, without bolt
458 100 18	Adapter bolt	25x145mm, for cylinder & jack mounting d=26mm, with nut M24

Locks & keys



Article no.	Product	Description
469 300	Double bit key	3x14mm, L=89mm, zinc die casting
469 304	Double bit key	5x14mm, L=89mm, zinc die casting
469 301	Square key	6x11,5mm, L=81mm, internal, zinc die casting
469 302	Square key	8x14,2mm, L=81mm, internal, zinc die casting
452 471	Triangular key	8,3x14,2mm, internal, zinc die casting
452 471 01	Triangular key	8,5x14,5mm, internal, L=130mm, zinc die casting
452 471 02	Triangular key	8,5x12mm, internal, L=100mm, galvanized
452 475	Multi way key	zinc die casting, 9 functions, 5 adapters

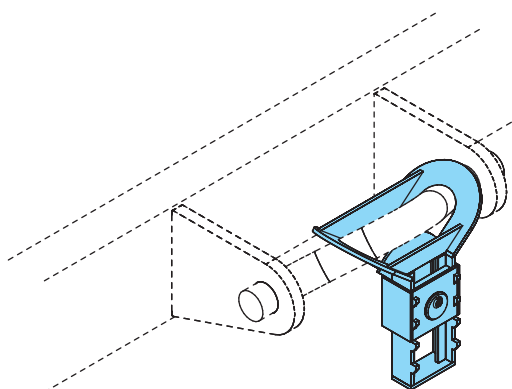


Article no.	Product	Description
469 320	Double bit lock	3mm, 45mm tongue, cranking 9mm, galvanized
469 310	Square lock	8mm, 45mm tongue, cranking 9mm, galvanized
469 315	Triangular lock	8mm, 45mm tongue, cranking 9mm, galvanized
452 469	Triangular lock	8mm, open-closed, galvanized
452 470	Triangular lock	8mm, automatic lock, galvanized

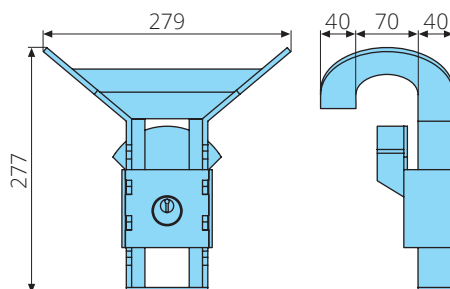
Anti theft & locking devices for roll-off containers

- mobile & for differently shaped bars D=50/60
- with IKON locking cylinder & 2 keys
- prevents unauthorized pick-up after attachment
- available as a keyed alike version with surcharge

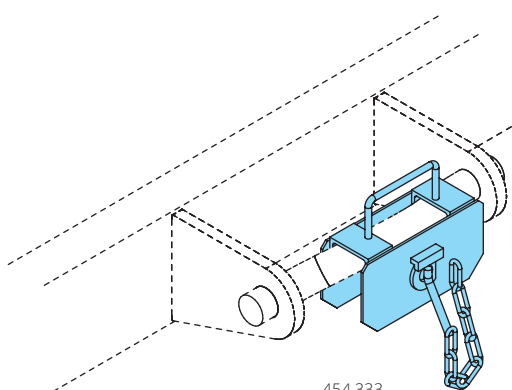
DE patent DE 10 2005 031 205.5



454 331 /-336

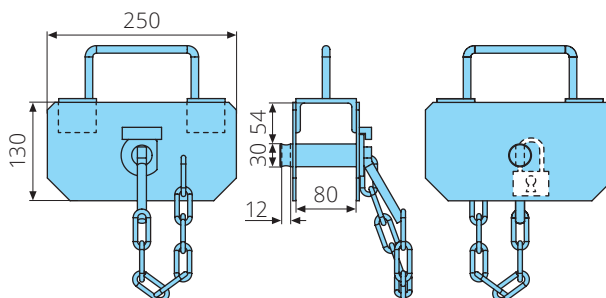


Article no.	Product	Description
454 331	Anti theft device	for roll-off containers, with locking cylinder type IKON & 2 keys, S355J2, galvanized
454 336	Anti theft device	for roll-off containers, with locking cylinder type IKON & 2 keys, S355J2, galvanized, keyed alike



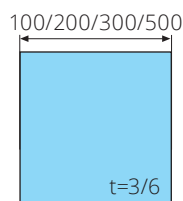
454 333

- mobile & for differently shaped bars D=50/60
- indicates occupied containers
- can optionally be secured against theft with a padlock

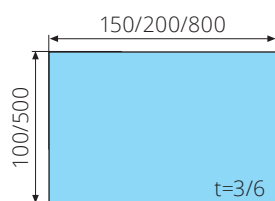


Article no.	Product	Description
454 333	Locking device for lifting bar	for roll-off containers, S355J2, galvanized

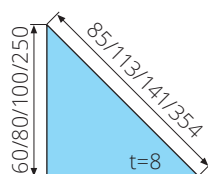
Repair plates



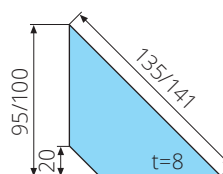
459 083 /-082 /-081 /-050



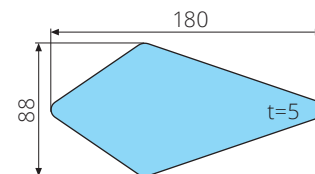
459 085 /-084 /-051



459 189 /-187 /-188 /-186



459 193 /-192



454 283

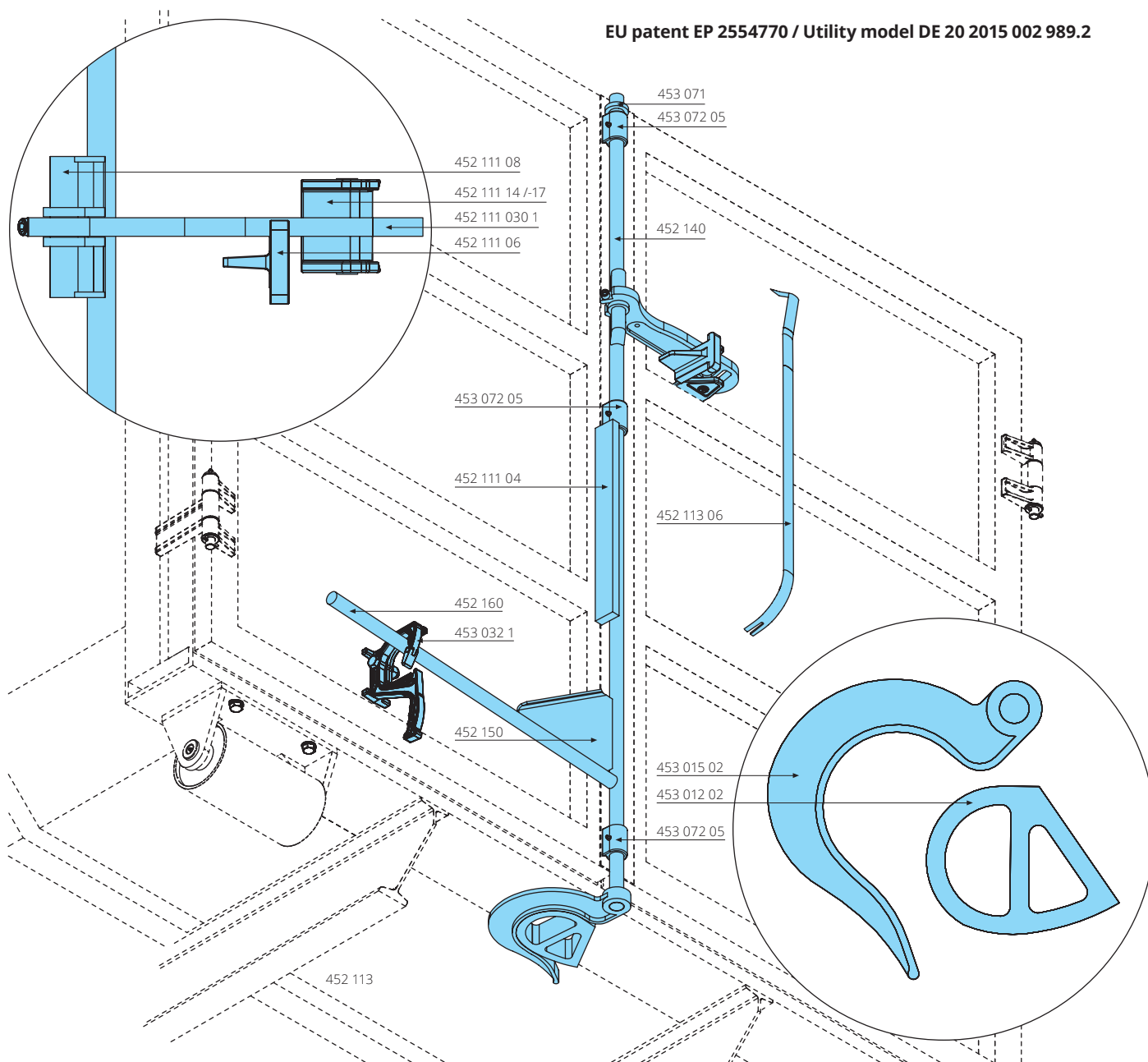
Article no.	Product	Description
459 083	Plate	100x100x3mm, square
459 082	Plate	200x200x3mm, square
459 081	Plate	300x300x3mm, square
452 050	Plate	500x500x6mm, square
459 085	Plate	150x100x3mm, rectangular
459 084	Plate	200x100x3mm, rectangular
452 051	Plate	500x800x6mm, rectangular
459 189	Plate	60x60x85x8mm, triangular
459 187	Plate	80x80x113x8mm, triangular
459 188	Plate	100x100x141x8mm, triangular
459 186	Plate	250x250x354x8mm, triangular
459 193	Plate	95x95x135x10mm, trapezoidal
459 192	Plate	100x100x141x10mm, trapezoidal
454 283	Reinforcement Plate	180x88x5mm, kite shaped

Over centre door lock stroke 100mm

- The lower door lock is 50/30 mm thick, which ensures a secure hold of the closed door & a significantly longer service life
- The upper hook allows for quick opening with a short opening path. During opening the hook is pushed out of the locking mechanism.

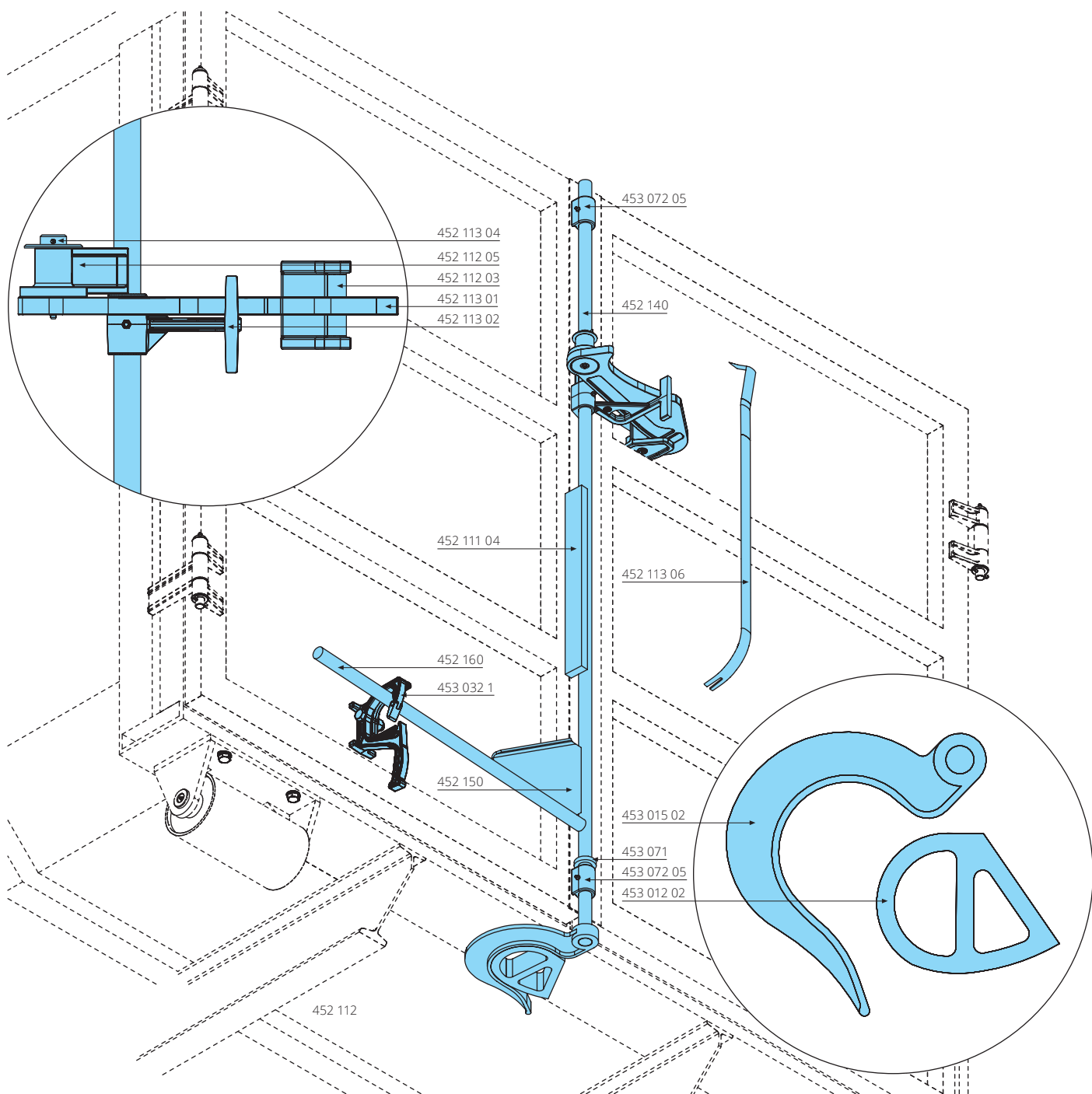
- If the doors are severely bent, it is possible to use a crowbar to prise the hook out of the locking mechanism
- The hook is guided at the front & held in place with an hexagonal socket screw, so it can be easily replaced if deformed

EU patent EP 2554770 / Utility model DE 20 2015 002 989.2



Article no.	Product	Description
452 113	Over centre door lock	stroke 100m
452 111 030 1	Hook	forged, with allen screw
452 111 06	Guide	cast steel
452 111 08	Lever	cast steel
452 111 14	Seat for hook	for frame depth 50mm, cast steel
452 111 17	Seat for hook	for frame depth 60mm, cast steel
453 072 05	Bushing	31-45-69mm, with lubrication M10x1,5mm, forged
453 071	Washer	31-50-10mm, S355J2, can be welded to top or bottom of shaft
452 140	Door lock shaft	30x2500mm, S355J2
452 160	Lever bar	30x900mm, S355J2
452 150	Gusset plate	5x200x300mm, S235JR
453 032 1	Safety lock for lever bar	for lever bar D=30/40mm, forged, handle galvanized
452 111 04	Guard plate	20x50x500mm, S235JR
453 015 02	Door locking hook	d=32mm, t=30mm, S355J2
453 012 02	Seat for door locking hook	t=50mm, S355J2
452 113 06	Crowbar	L=750mm

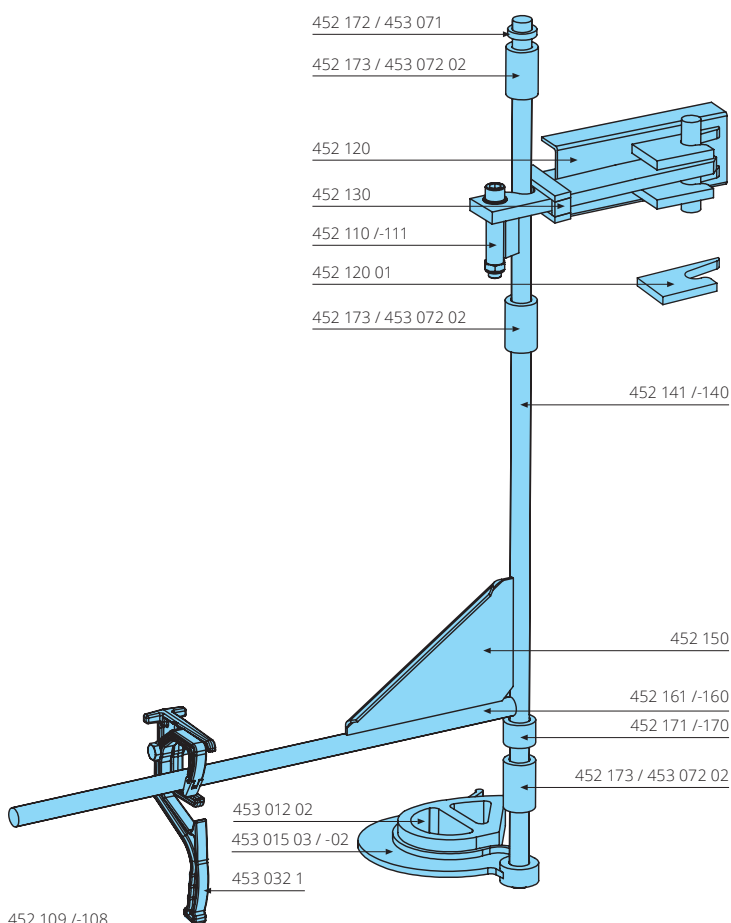
Over centre door lock stroke 200mm



Over centre door lock stroke 100mm / stroke 200mm

Article no.	Product	Description
452 112	Over centre door lock	stroke 200m
452 113 01	Hook	cast steel
452 113 02	Guide	cast steel
452 113 04	Bolt	29,9x85mm, with lubrication, washer & cotter pin
452 112 03	Hook Seat	cast steel
452 112 05	Lever	cast steel
453 072 05	Bushing	31-45-69mm, with lubrication M10x1,5mm, forged
453 071	Washer	31-50-10mm, S355J2, can be welded to top or bottom of shaft
452 140	Door lock shaft	30x2500mm, S355J2
452 160	Lever bar	30x900mm, S355J2
452 150	Gusset plate	5x200x300mm, S235JR
453 032 1	Safety lock for lever bar	for lever bar D=30/40mm, forged, handle galvanized
452 111 04	Guard plate	20x50x500mm, S235JR
453 015 02	Door locking hook	d=32mm, t=30mm, S355J2
453 012 02	Seat for door locking hook	t=50mm, S355J2
452 113 06	Crowbar	L=750mm

Door locking hook standard version

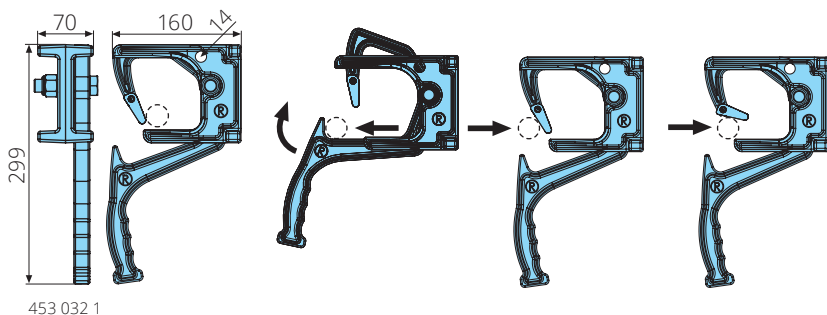


- Standard door locking hooks always yield a few centimetres under strong internal pressure, which leads to greater pressure on the central locking system & can cause it to spring open
- The door locking system, consisting of door locking hook 453 015 03 / -02 & seat for door locking hook 453 012 02, absorbs these loads. External damage is also barely possible
- Pin 452 110 / -111 & pin yoke 452 120 ensure smooth opening and closing even after the doors have been deformed

Article no.	Product	Description
452 109	Over centre door lock	D=40mm
452 110	Pin	L=335mm, S355J2
452 111	Pin	L=460mm, S355J2
452 120	Pin yoke	S355J2
452 120 01	Pin yoke repair plate	153x80x15mm, S355J2, for pin yoke 452 120
452 130	Guide	S355J2
452 141	Door lock shaft	40x2500mm, for version D=40mm, S355J2
452 161	Lever bar	40x900mm, for version D=40mm, S355J2
452 173	Bushing	41-50-80mm, for version D=40mm, S355J2
452 171	Bushing	41-50-40mm, for version D=40mm, S355J2
452 172	Washer	d=41mm, for version D=40mm, S355J2
452 150	Gusset plate	5x200x300mm, S235JR
453 015 03	Door locking hook	d=42mm, t=30mm, S355J2
453 012 02	Seat for door locking hook	t=50mm, S355J2
453 032 1	Safety lock for lever bar	for lever bar D=30/40mm, forged, handle galvanized

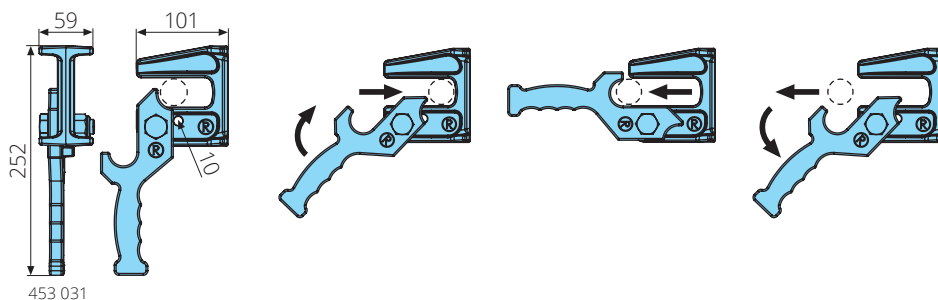
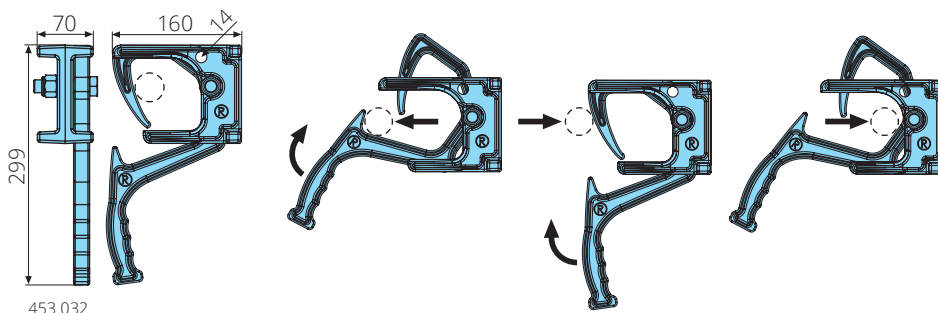
Article no.	Product	Description
452 108	Over centre door lock	D=30mm
452 110	Pin	L=335mm, S355J2
452 111	Pin	L=460mm, S355J2
452 120	Pin yoke	S355J2
452 120 01	Pin yoke repair plate	153x80x15mm, S355J2, for pin yoke 452 120
452 130	Guide	S355J2
452 140	Door lock shaft	30x2500mm, S355J2
452 160	Lever bar	30x900mm, S355J2
453 072 02	Bushing	31-50-80mm, with lubrication M8x1mm, S355J2, for version D=30mm
452 170	Bushing	31-50-40mm, for version D=30mm, S355J2
453 071	Washer	31-50-10mm, S355J2, can be welded to top or bottom of shaft
452 150	Gusset plate	5x200x300mm, S235JR
453 015 02	Door locking hook	d=32mm, t=30mm, S355J2
453 012 02	Seat for door locking hook	t=50mm, S355J2
453 032 1	Safety lock for lever bar	for lever bar D=30/40mm, forged, handle galvanized

Safety locks for lever bar



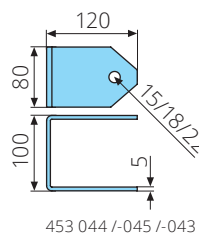
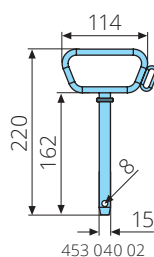
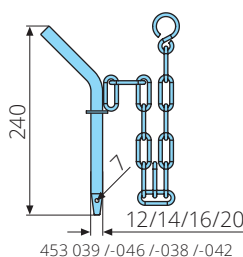
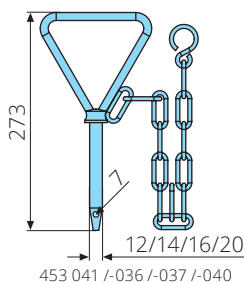
- In order to better absorb the pressure of the door when the container is full, this lock opens in 3 stages
- The door can be opened safely when the container is on the vehicle
- The locking mechanism closes automatically when the hand lever is closed
- For hand levers with diameters up to 30/40 mm

Utility model DE 20 2017 005 708.5



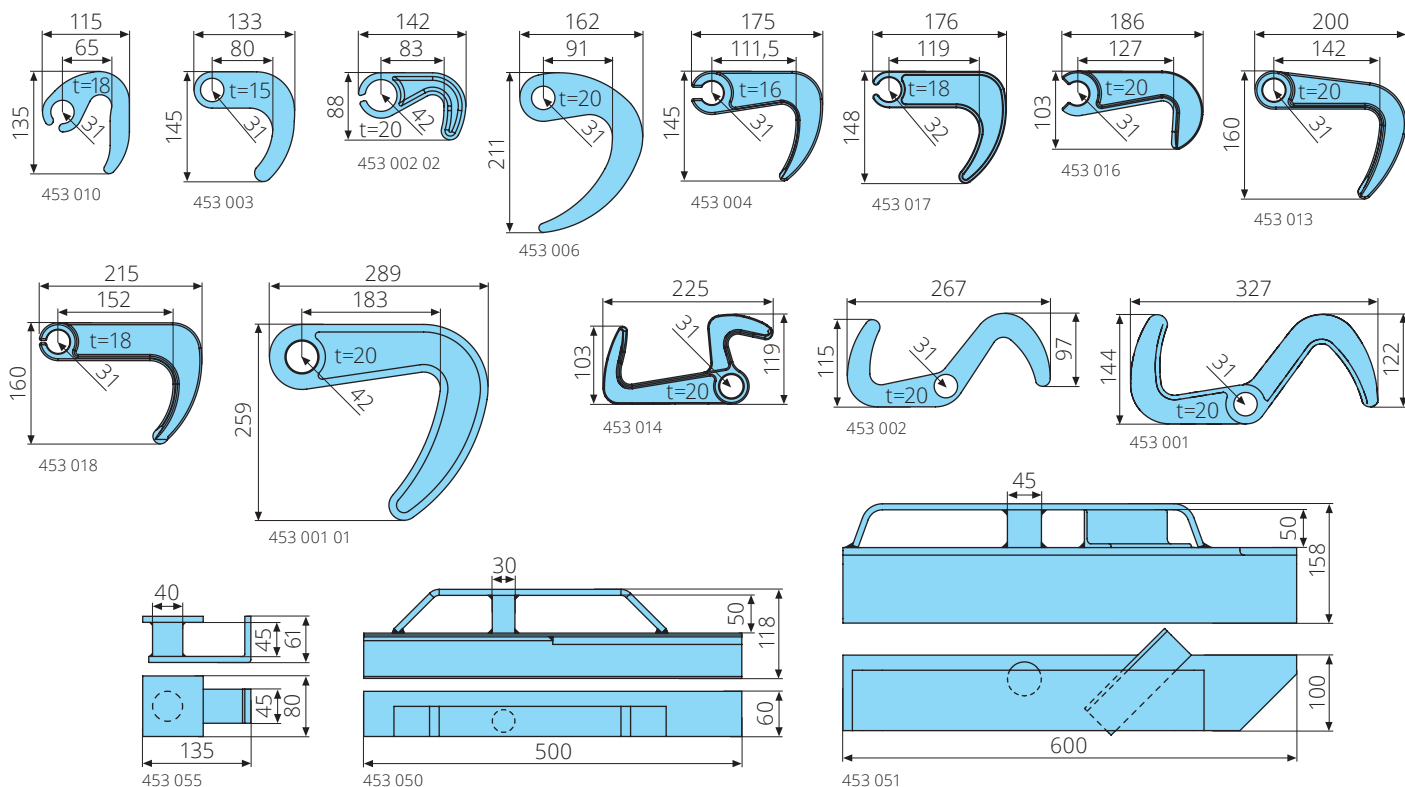
Article no.	Product	Description
453 032 1	Safety lock for lever bar	for lever bar D=30/40mm, forged, handle galvanized
453 032	Safety lock for lever bar	for lever bar D=30/35mm
453 031	Safety lock for lever bar	for lever bar D=30mm, for containers with fixed roof

Door lock pins

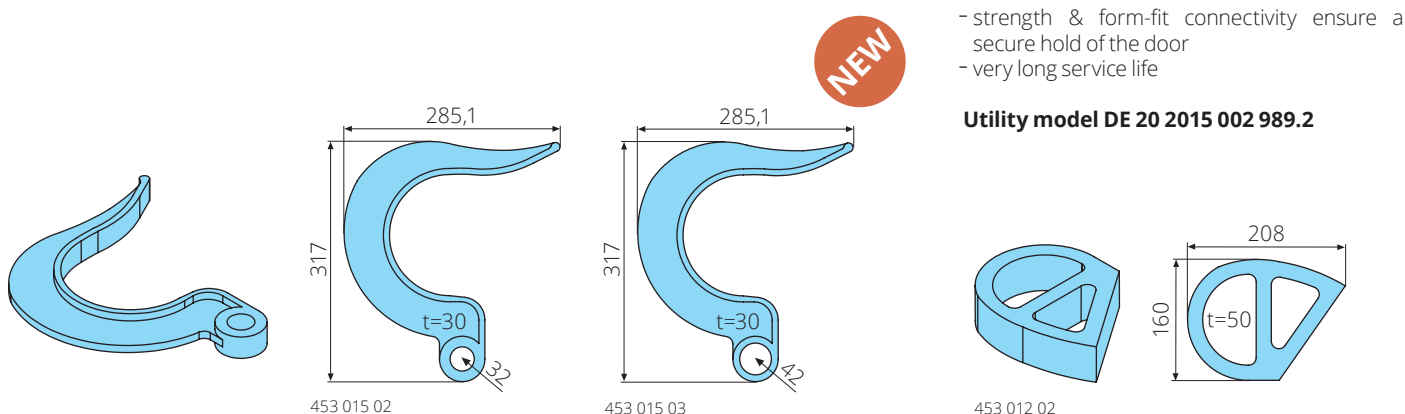


Article no.	Product	Description
453 041	Door lock pin	D=12mm, type A, galvanized, with chain
453 036	Door lock pin	D=14mm, type A, galvanized, with chain
453 037	Door lock pin	D=16mm, type A, galvanized, with chain
453 040	Door lock pin	D=20mm, type A, galvanized, with chain
453 039	Door lock pin	D=12mm, type B, galvanized, with chain
453 046	Door lock pin	D=14mm, type B, galvanized, with chain
453 038	Door lock pin	D=16mm, type B, galvanized, with chain
453 042	Door lock pin	D=20mm, type B, galvanized, with chain
453 040 02	Door lock pin	D=15mm, type C, galvanized
453 044	Seat for door lock pin	d=15mm, S235JR
453 045	Seat for door lock pin	d=18mm, S235JR
453 043	Seat for door lock pin	d=22mm, S235JR

Door locking hooks



Article no.	Product	Description
453 010	Door locking hook	d=31mm, t=18mm, top, flame cut, S355J2
453 003	Door locking hook	d=31mm, t=15mm, flame cut, S355J2
453 002 02	Door locking hook	d=42mm, t=20mm, forged, S355J2
453 006	Door locking hook	d=31mm, t=20mm, flame cut, S355J2
453 004	Door locking hook	d=31mm, t=16mm, flame cut, S355J2
453 017	Door locking hook	d=32mm, t=18mm, forged, S355J2
453 016	Door locking hook	d=31mm, t=20mm, forged, S355J2
453 013	Door locking hook	d=31mm, t=20mm, forged, S355J2
453 018	Door locking hook	d=31mm, t=18mm, forged, S355J2
453 001 01	Door locking hook	d=42mm, t=20mm, forged, S355J2
453 014	Door locking hook	d=31mm, t=20mm, cast steel, S355J2
453 002	Door locking hook	d=31mm, t=20mm, flame cut, S355J2
453 001	Door locking hook	d=31mm, t=20mm, forged, S355J2
453 055	Seat for door locking hook	D=40mm, bottom
453 050	Seat for door locking hook	D=30mm, top
453 051	Seat for door locking hook	D=45mm, top, heavy-duty version



- strength & form-fit connectivity ensure a secure hold of the door
- very long service life

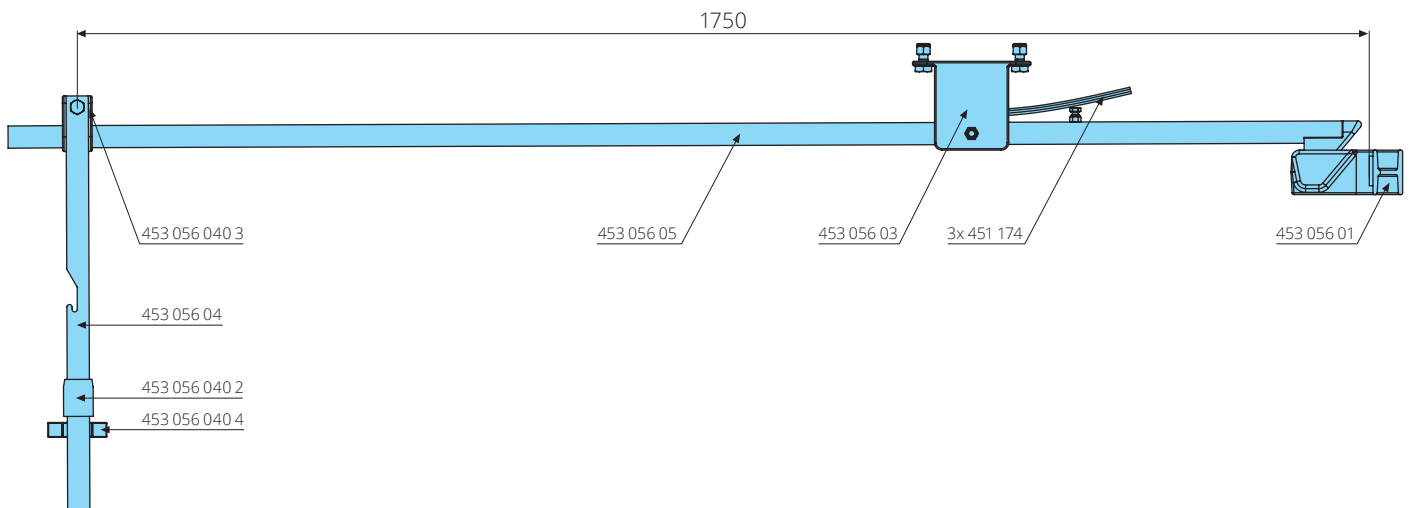
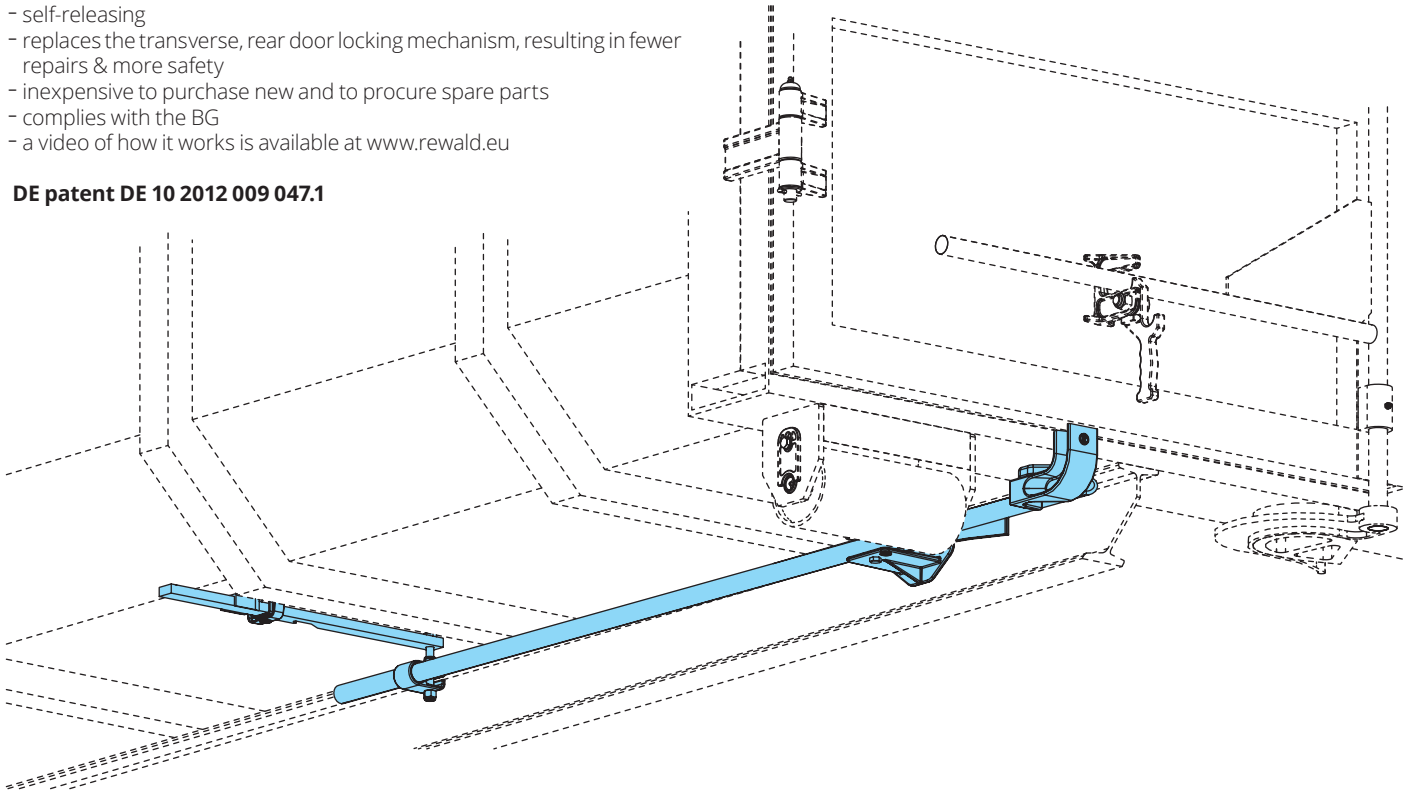
Utility model DE 20 2015 002 989.2

Article no.	Product	Description
453 015 02	Door locking hook	d=32mm, t=30mm, S355J2
453 015 03	Door locking hook	d=42mm, t=30mm, S355J2
453 012 02	Seat for door locking hook	t=50mm, S355J2

Automatic locking system

- self-releasing
- replaces the transverse, rear door locking mechanism, resulting in fewer repairs & more safety
- inexpensive to purchase new and to procure spare parts
- complies with the BG
- a video of how it works is available at www.rewald.eu

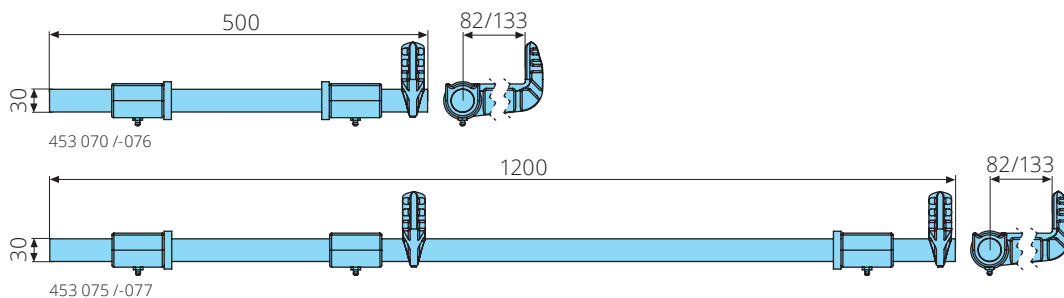
DE patent DE 10 2012 009 047.1



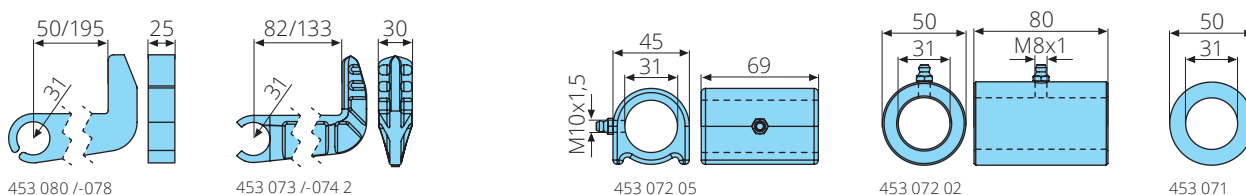
453 057

Article no.	Product	Description
453 057	Automatic locking system	L=1750mm
Article no.	Product	Description
453 056 01	Seat for hook	cast steel
453 056 05	Strut with hook	L=1800mm, strut S235R, hook cast steel
453 056 03	Mounting for strut	cast steel
451 174	Spring bar	300x30x3mm, 3 needed
453 056 04	Handle	slide profile 453 056 040 2
453 056 0403	Bracket for handle	cast steel
453 056 0404	U-profile	cast steel
453 056 0402	Slide profile	50x38x20mm, plastic

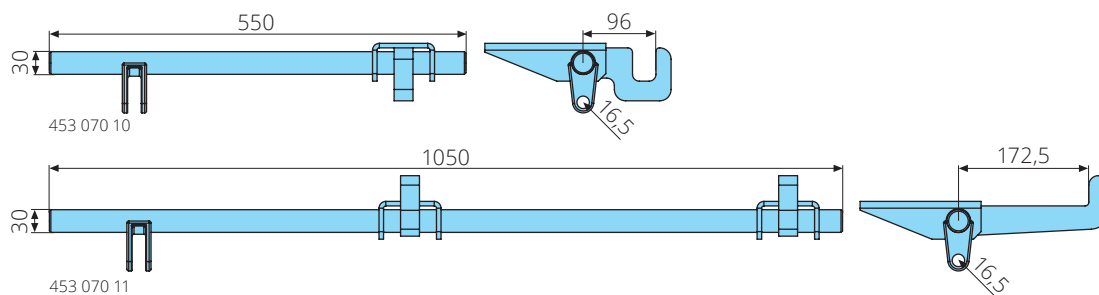
Locking shafts



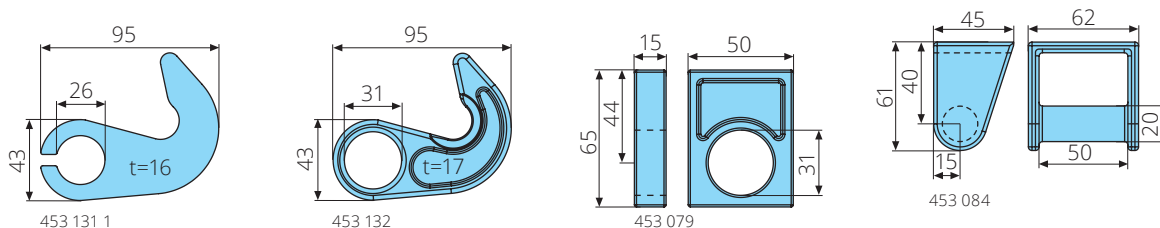
Article no.	Product	Description
453 070	Locking shaft complete	30x500mm, with hook 453 073 L=82mm
453 076	Locking shaft complete	30x500mm, with hook 453 074 L=133mm
453 075	Locking shaft complete	30x1200mm, with hook 453 073 L=82mm
453 077	Locking shaft complete	30x1200mm, with hook 453 074 L=133mm



Article no.	Product	Description
453 080	Hook	L=50mm, t=25mm, flame cut
453 073	Hook	L=82mm, t=30mm, cast steel
453 074 2	Hook	L=133mm, t=30mm, forged
453 078	Hook	L=195mm, t=25mm, flame cut
453 072 05	Bushing	31-45-69mm, with lubrication M10x1,5mm, forged
453 072 02	Bushing	31-50-80mm, with lubrication M8x1mm, S355J2, for version D=30mm
453 071	Washer	31-50-10mm, S355J2, can be welded to top or bottom of shaft

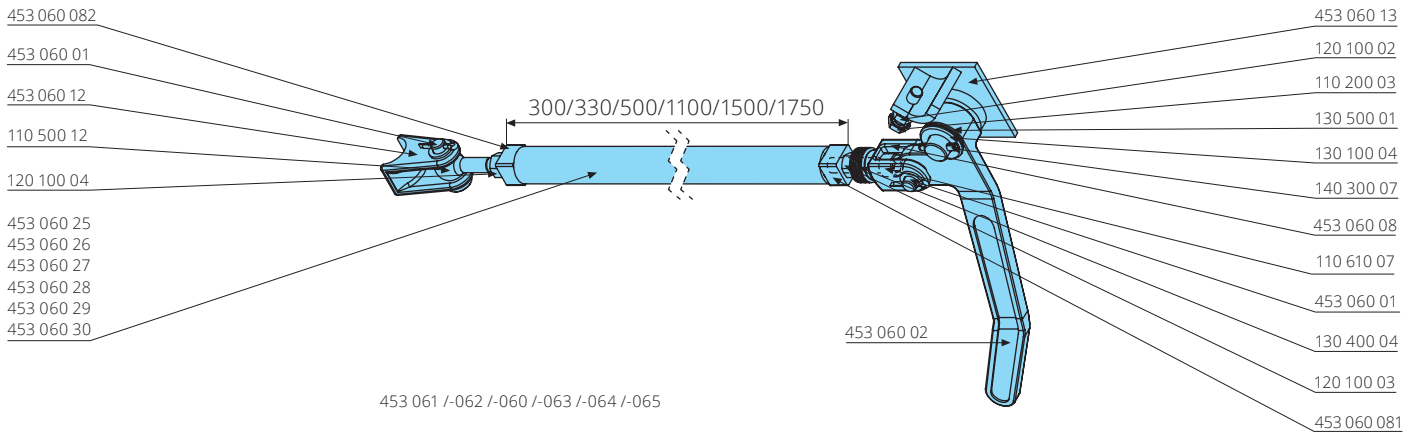


Article no.	Product	Description
453 070 10	Locking shaft complete	30x500mm, with hook L=96mm
453 070 11	Locking shaft complete	30x1050mm, with hook L=172,5mm



Article no.	Product	Description
453 131 1	Hook	d=26mm, flame cut
453 132	Hook	d=31mm
453 079	Bearing plate	d=31mm, cast steel
453 084	Rest for hook	D=20mm, cast steel

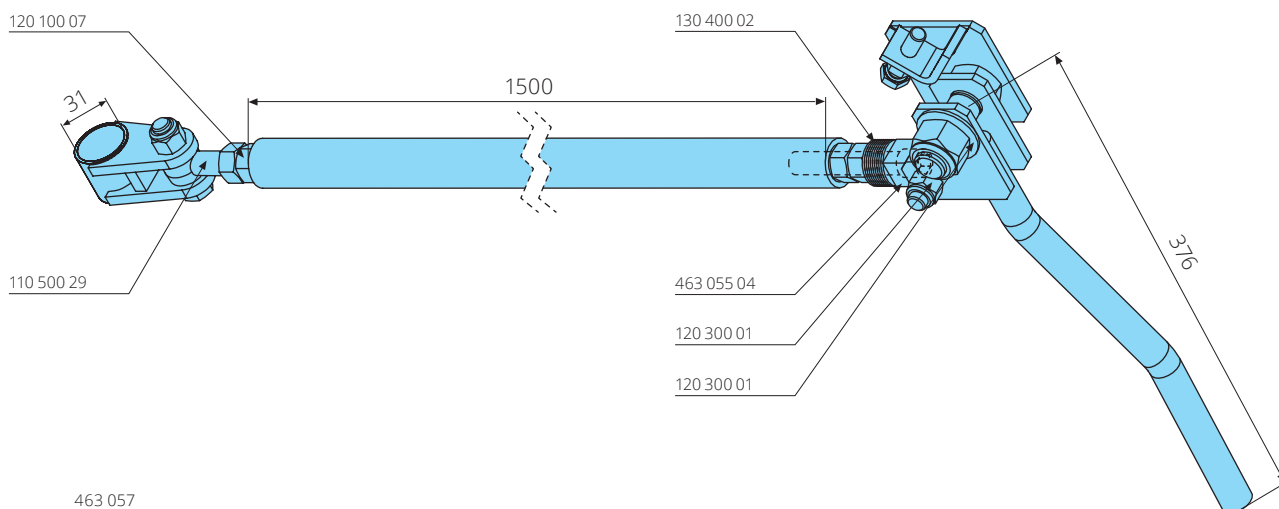
Locking levers M12



Article no.	Product	Description
453 061	Locking lever M12 complete	strut L=300mm
453 062	Locking lever M12 complete	strut L=330mm
453 060	Locking lever M12 complete	strut L=500mm
453 063	Locking lever M12 complete	strut L=1100mm
453 064	Locking lever M12 complete	strut L=1500mm
453 065	Locking lever M12 complete	strut L=1750mm, according to BG

Article no.	Product	Description
453 060 01	Pin	12x46mm, for M12, with washer & split pin
453 060 02	Hand lever	L=249mm, forged
130 500 01	Spring washer	21-36-1,6mm, DIN 137 B
140 300 07	Spring pin	6x35mm, ISO 8752
110 200 03	Hex head bolt	M10x45mm, galvanized, ISO 4017
120 100 04	Hex head nut	M12, galvanized, left-hand thread, ISO 4032
120 100 03	Hex head nut	M12, galvanized, ISO 4032
453 060 08	Clevis	d=12,5mm, cast steel
110 610 07	Cylinder head bolt	M12x60mm, galvanized, ISO 4762, 8.8
110 500 12	Eyebolt	M12x70mm, left-hand thread, DIN 444
130 400 04	Cup washer	12,3x34x1,5mm, DIN 2093 A
453 060 12	Clevis mount	d=12mm, for locking shaft D=31mm, cast steel
453 060 13	Base plate	D=20mm
130 100 04	Washer	21-33-4mm, galvanized, ISO 7090, 200 HV
120 100 02	Hex head nut	M10, galvanized, ISO 4032
453 060 25	Strut	L=300mm, with threaded nuts M12 left & right-hand thread
453 060 26	Strut	L=330mm, with threaded nuts M12 left & right-hand thread
453 060 27	Strut	L=500mm, with threaded nuts M12 left & right-hand thread
453 060 28	Strut	L=1100mm, with threaded nuts M12 left & right-hand thread
453 060 29	Strut	L=1500mm, with threaded nuts M12 left & right-hand thread
453 060 30	Strut	L=1500mm, with threaded nuts M12 left & right-hand thread
453 060 081	Threaded nut	M12
453 060 082	Threaded nut	M12, left-hand thread

Locking levers M14

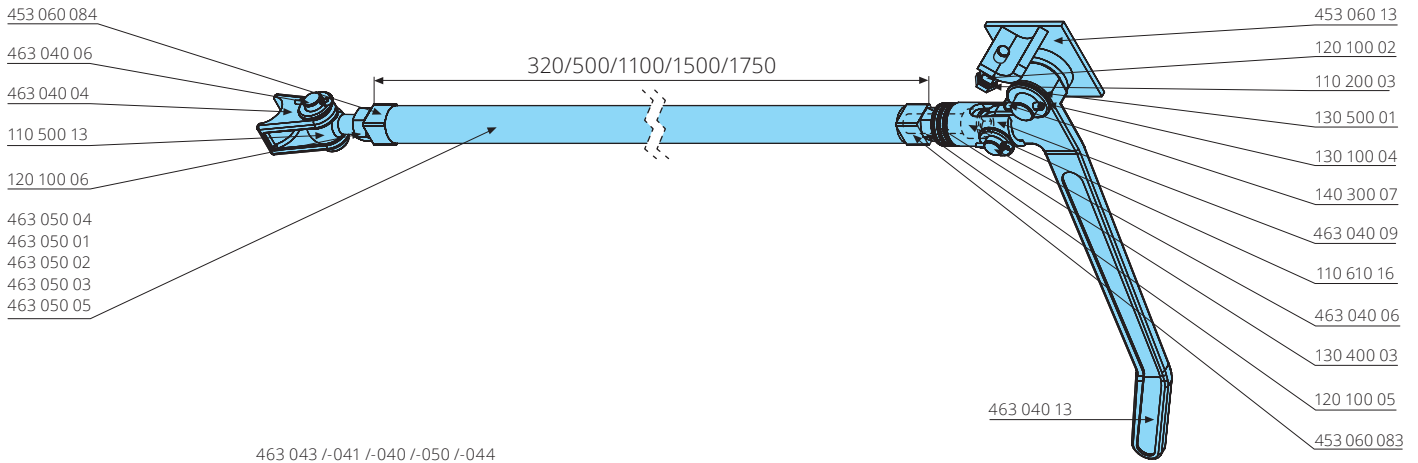


463 057

Article no.	Product	Description
463 057	Locking lever M14 complete	strut L=1500mm, with bushing for locking shaft, galvanized

Article no.	Product	Description
120 100 07	Hex head nut	M14, galvanized, left-hand thread, ISO 4032
110 500 29	Eyebolt	M14x120mm, galvanized, left-hand thread, DIN 444
130 400 02	Cup washer	14,3-28-1,5mm, DIN 2093 A
463 055 04	Square sleeve	20x20x48mm, galvanized
120 300 01	Hex head nut	M12, self-locking, galvanized, ISO 7040
130 400 01	Cup washer	20,4-40-1,5mm, DIN 2093 A

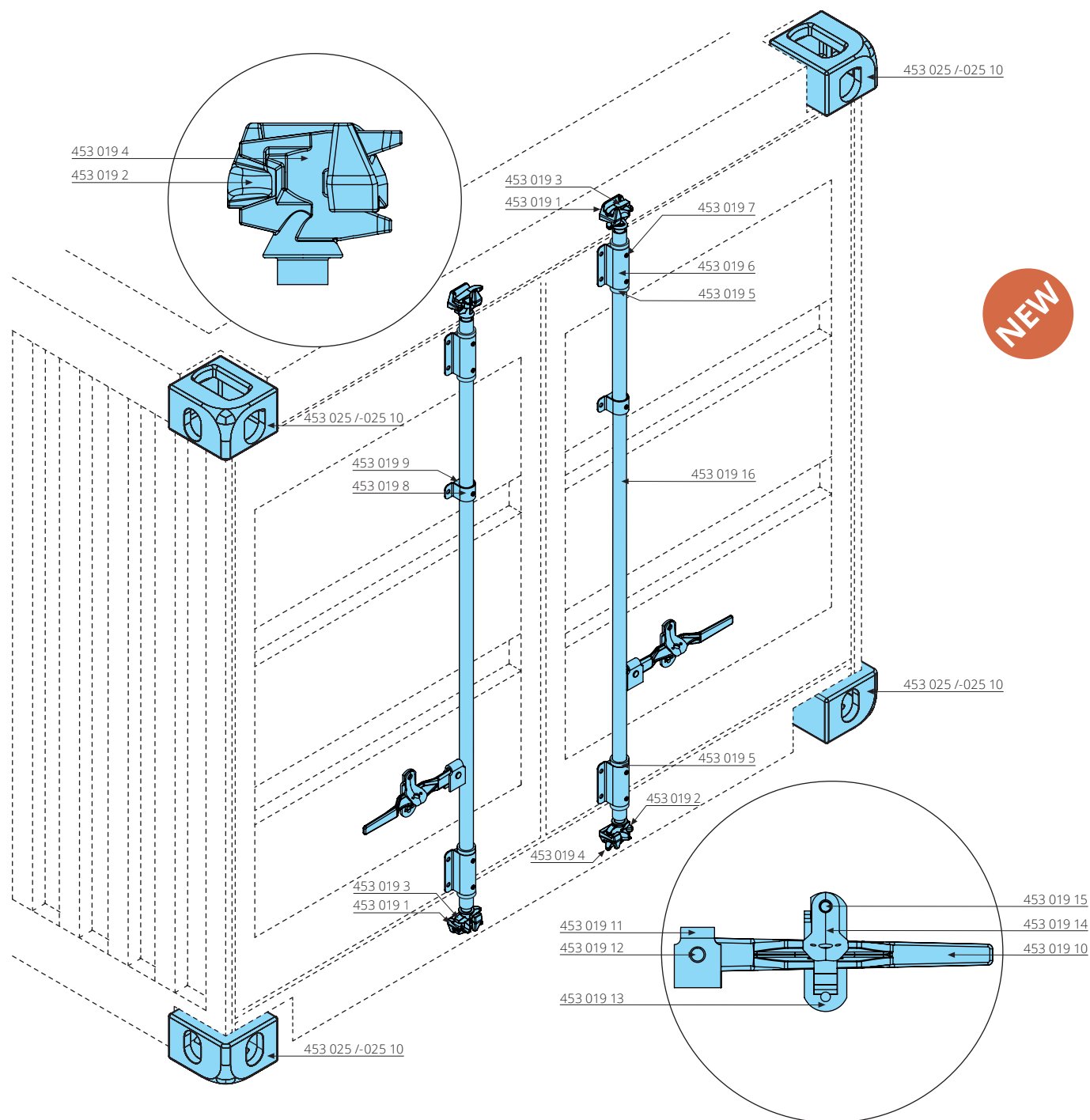
Locking levers M16



Article no.	Product	Description
463 043	Locking lever M16 complete	strut L=320mm, heavy duty version
463 041	Locking lever M16 complete	strut L=500mm, heavy duty version
463 040	Locking lever M16 complete	strut L=1100mm, heavy duty version
463 050	Locking lever M16 complete	strut L=1500mm, heavy duty version
463 044	Locking lever M16 complete	strut L=1750mm, heavy duty version, according to BG

Article no.	Product	Description
463 040 06	Pin	16x50mm, with washer & split pin, 2 needed for one locking lever
463 040 13	Hand lever	L=354mm, cast steel, left
130 500 01	Spring washer	21-36-1,6mm, DIN 137 B
140 300 07	Spring pin	6x35mm, ISO 8752
110 200 03	Hex head bolt	M10x45mm, galvanized, ISO 4017
120 100 06	Hex head nut	M16, galvanized, left-hand thread, ISO 4032
120 100 05	Hex head nut	M16, galvanized, ISO 4032
463 040 09	Clevis	d=18mm, cast steel
110 610 16	Cylinder head bolt	M16x60mm, galvanized, ISO 4762, 8.8
110 500 13	Eyebolt	M16x70mm, left-hand thread, DIN 444
130 400 03	Cup washer	16,3x34x1,5mm, DIN 2093 A
463 040 04	Clevis mount	d=16mm, for locking shafts D=31mm, cast steel
453 060 13	Base plate	D=20mm
130 100 04	Washer	21-33-4mm, galvanized, ISO 7090, 200 HV
120 100 02	Hex head nut	M10, galvanized, ISO 4032
463 050 04	Strut	L=320mm, with threaded nuts M16 left & right-hand thread
463 050 01	Strut	L=500mm, with threaded nuts M16 left & right-hand thread
463 050 02	Strut	L=1100mm, with threaded nuts M16 left & right-hand thread
463 050 03	Strut	L=1500mm, with threaded nuts M16 left & right-hand thread
463 050 05	Strut	L=500mm, with threaded nuts M16 left & right-hand thread
453 060 083	Threaded nut	M16
453 060 084	Threaded nut	M16, left-hand thread

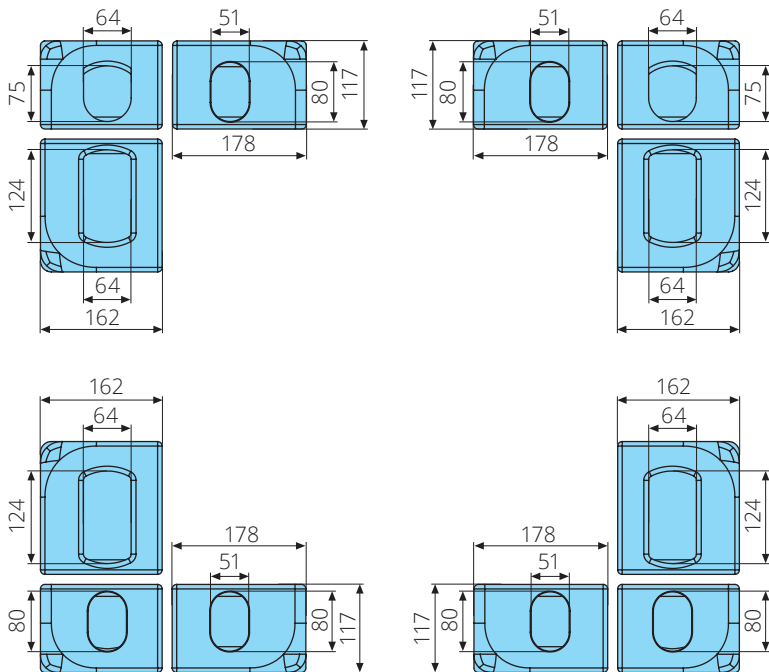
Door locking for cargo & platform containers



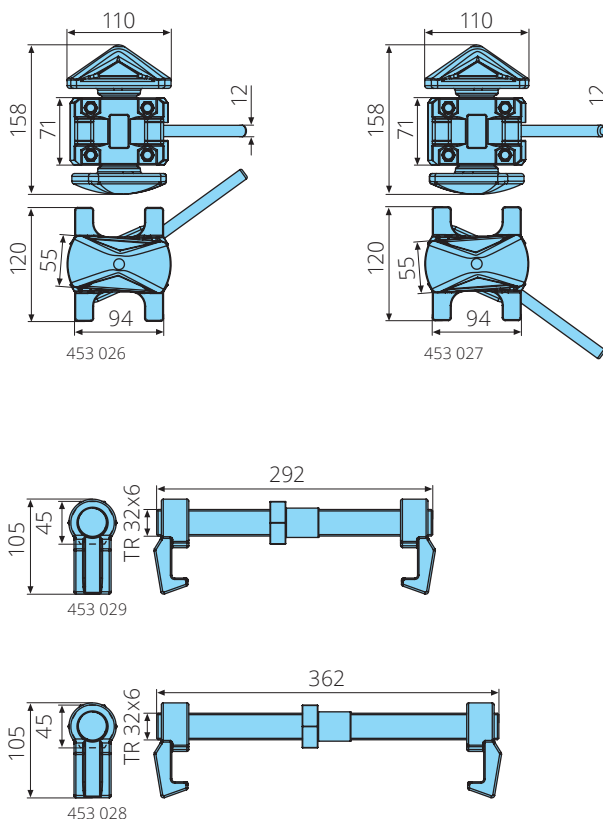
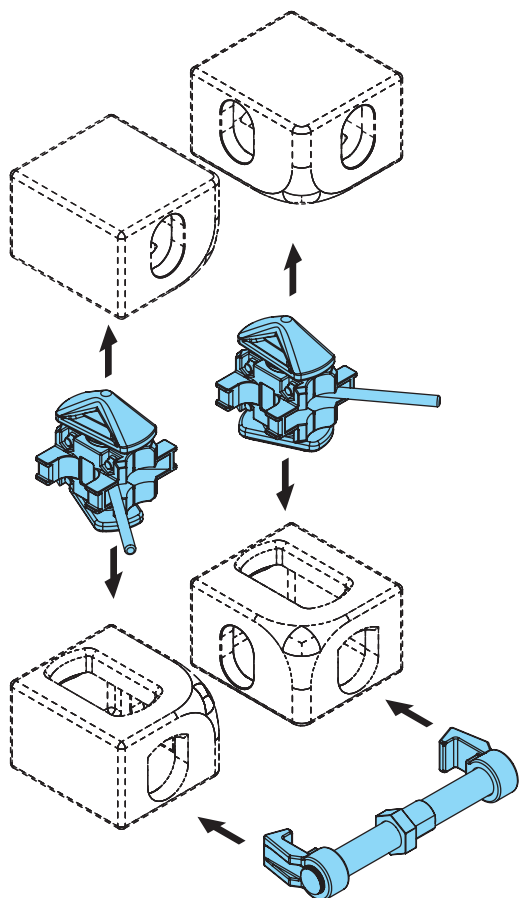
NEW

Article no.	Product	Description
453 019 3	Cam, left	120x40x77mm, galvanized
453 019 1	Cam keeper, left	48x76x42mm, galvanized
453 019 4	Cam, right	120x40x77mm, galvanized
453 019 2	Cam keeper, right	48x76x42mm, galvanized
453 019 6	Bearing bracket large	94x50x114mm, galvanized
453 019 7	Split plastic-bushing large	38x50x111mm, for bearing bracket large
453 019 8	Bearing bracket small	94x50x38mm, galvanized
453 019 9	Split plastic-bushing small	38x50x37mm, for bearing bracket small
453 019 16	Door lock rod	34x3,2mm, L=2312mm, galvanized
453 019 5	Anti rack ring	35-45-10mm, galvanized
453 019 11	Door handle hub	51x66x24mm, galvanized
453 019 12	Rivet for door handle	10-17-31mm, galvanized
453 019 13	Retainer plate	22x46x130mm, forged, galvanized
453 019 15	Retainer bushing	13,5-22,5x8mm, galvanized
453 019 14	Retainer catch	41x49x77mm, galvanized
453 019 10	Door handle	37x36x341mm, forged, galvanized

ISO corner fittings for cargo & platform containers

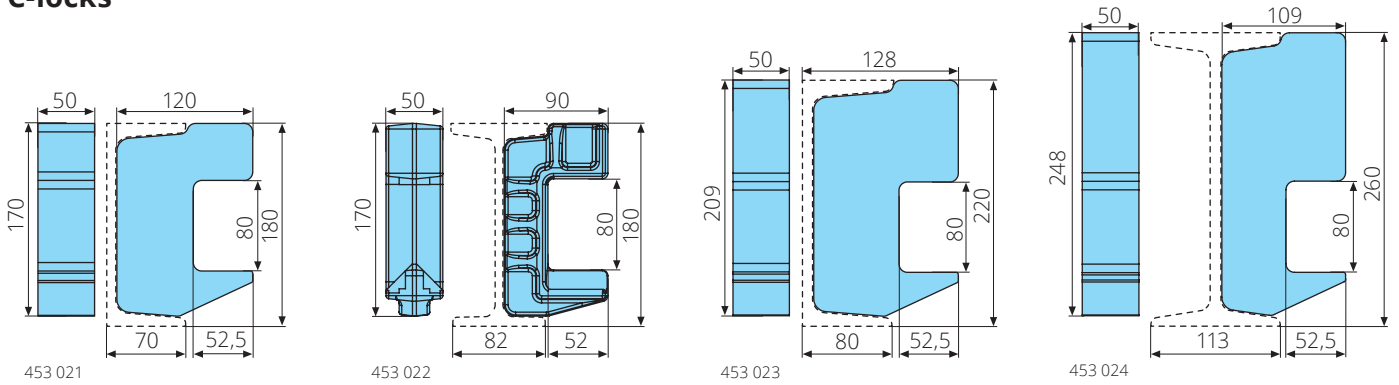


Article no.	Product	Description
453 025	Set of ISO corner fittings	4 corner fitting, according to ISO 1161:1984, primer weldable
453 025 10	Set of ISO corner fittings	8 corner fitting, according to ISO 1161:1984, primer weldable



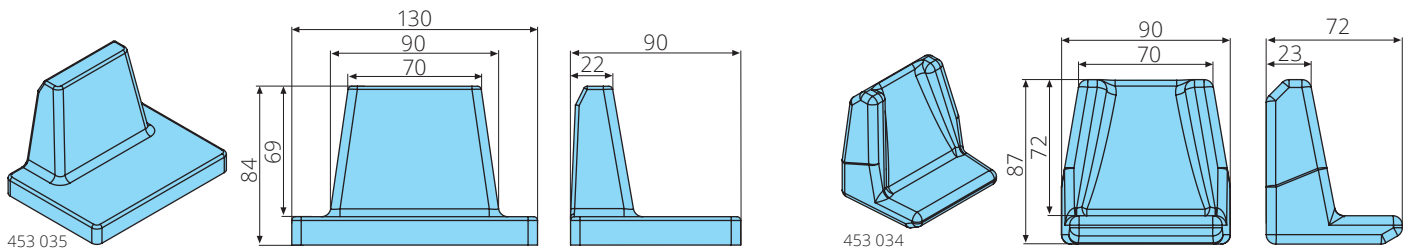
Article no.	Product	Description
453 026	Intermediate Twistlock	left, galvanized
453 027	Intermediate Twistlock	right, galvanized
453 029	Bridge fitting	short
453 028	Bridge fitting	long

C-locks



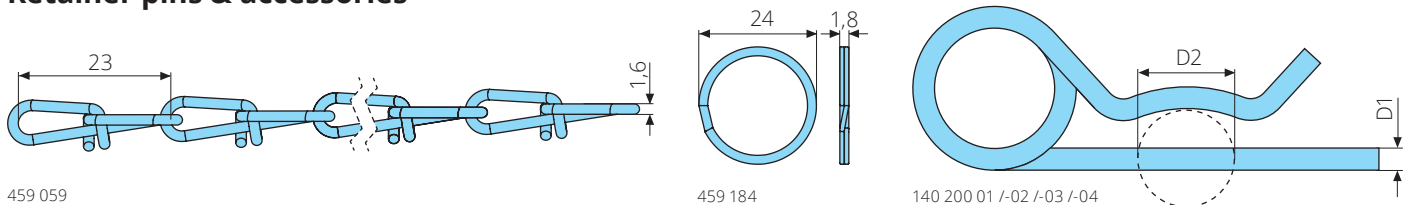
Article no.	Product	Description
453 021	C-lock	for UNP 180, S355J2
453 022	C-lock	for INP 180, forged, S355J2, DIN 30722-1
453 023	C-lock	for UNP 220, S355J2, DIN 30722-1/30722-2
453 024	C-lock	for INP 260, S355J2

Latches type MARREL



Article no.	Product	Description
453 035	MARREL latch	84x130x90mm, cast steel, S355J2G3
453 034	MARREL latch	87x90x72mm, forged, S355J2G3

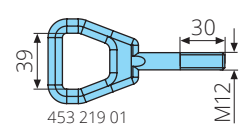
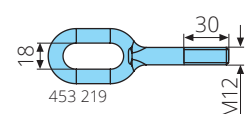
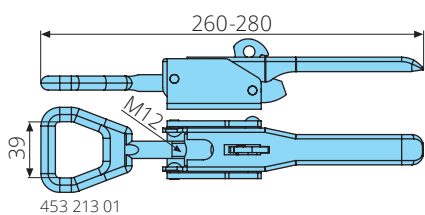
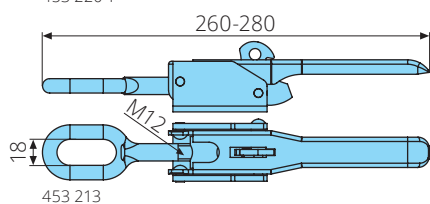
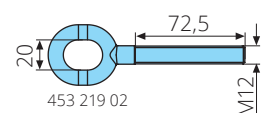
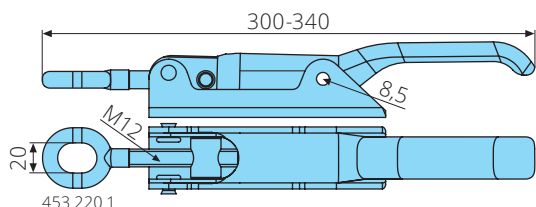
Retainer pins & accessories



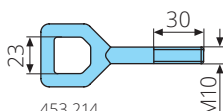
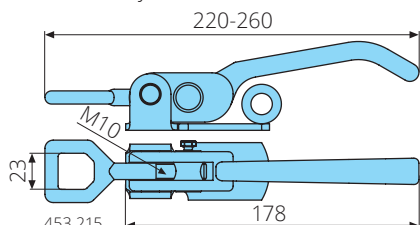
Article no.	Product	Description
459 059	Knotted chain	D=1,6mm, galvanized, DIN 5686, length according to specification

Article no.	Product	Description
459 184	Key ring	24x1,8mm, rust free
140 200 01	Retainer pin	for shaft D=11-14mm, wire D=2,8mm, DIN 11024, form D galvanized
140 200 02	Retainer pin	for shaft D=14-20mm, wire D=3,6mm, DIN 11024, form D, galvanized
140 200 03	Retainer pin	for shaft D=20-26mm, wire D=4,5mm, DIN 11024, form D, galvanized
140 200 04	Retainer pin	for shaft D=26-34mm, wire D=5,6mm, DIN 11024, form D, galvanized

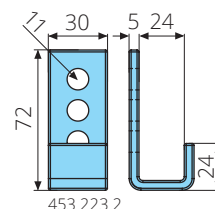
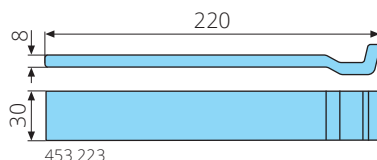
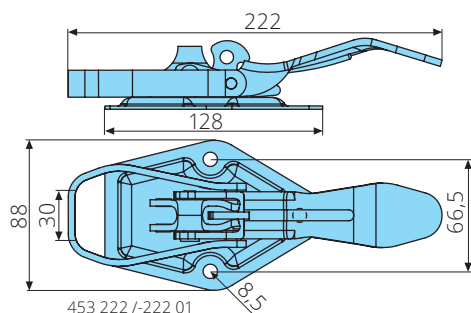
Over centre locks



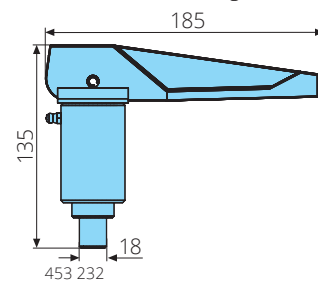
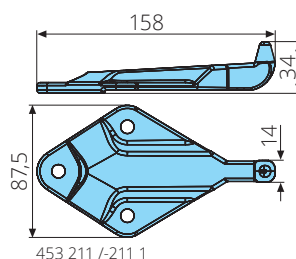
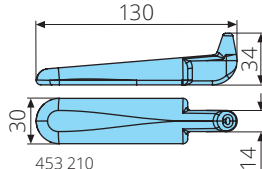
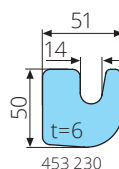
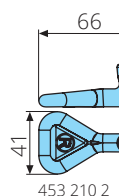
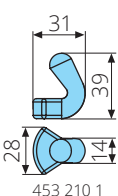
Article no.	Product	Description
453 220 1	Over centre lock	M12, stroke 35mm, with eye 453 219 02
453 213	Over centre lock	M12, stroke 20mm, with automatic safety latch, with padlock fitting, with eye 453 219
453 213 01	Over centre lock	M12, stroke 20mm, with automatic safety latch, with padlock fitting, with eye 453 219 01
453 219 02	Eye	M12, galvanized
453 219	Eye	M12
453 219 01	Eye	M12, galvanized, triangle



Article no.	Product	Description
453 215	Over centre lock	M10, stroke 35mm, galvanized, with padlock fitting, with eye 453 214
453 214	Eye	M10, forged, galvanized

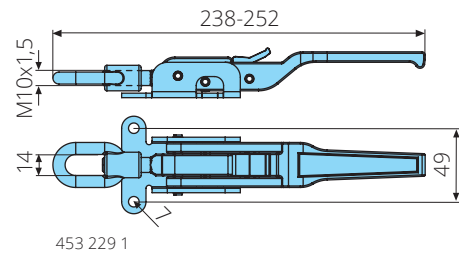
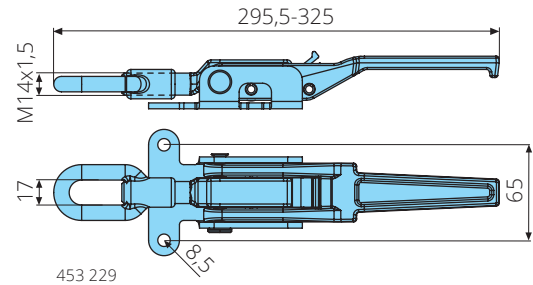
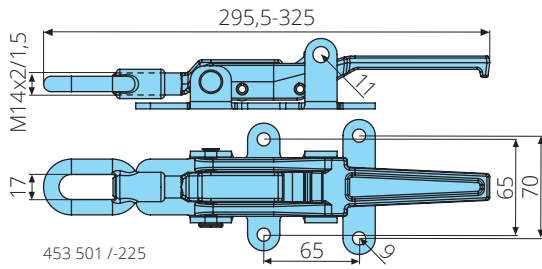
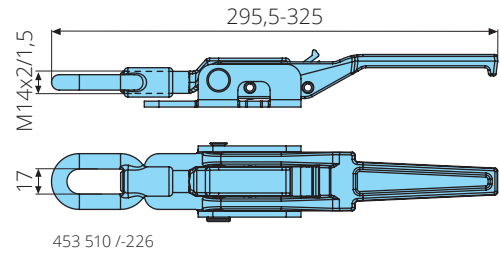
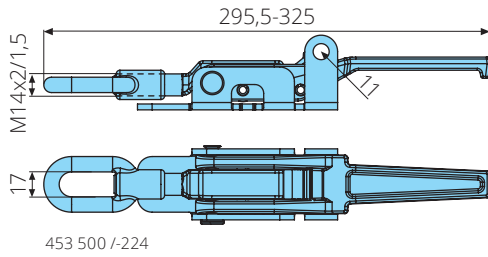


Article no.	Product	Description
453 222	Over centre lock	stroke 50mm, with automatic safety latch, Danish model
453 222 01	Over centre lock	stroke 50mm, with automatic safety latch, Danish model, galvanized
453 223	Counterhold for over centre locks	30x220mm, for over centre locks 453 222 /-222 01
453 223 2	Counterhold for over centre locks	30x72mm, for over centre locks 453 222 /-222 01, galvanized, for bolted mounting



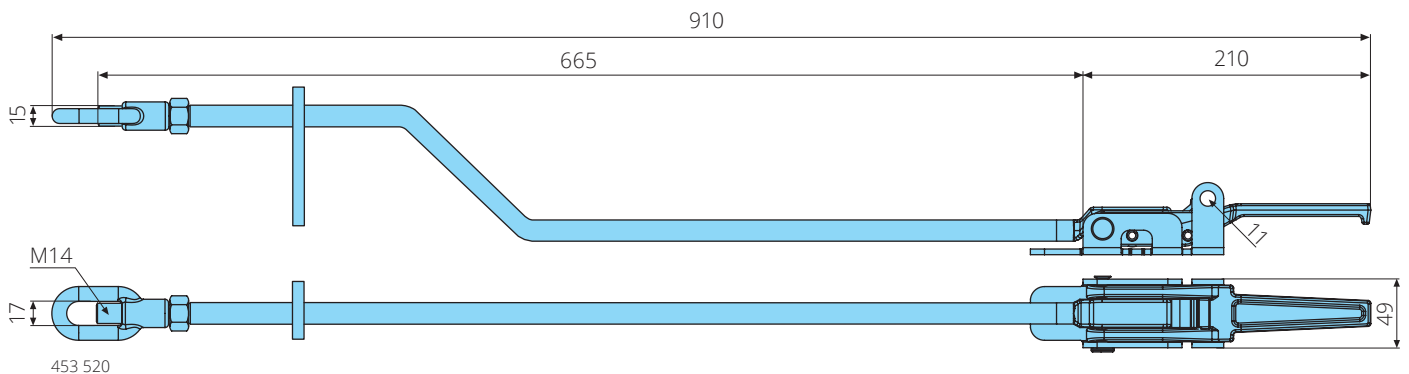
Article no.	Product	Description
453 210 1	Counterhold for over centre locks	D=14mm
453 210 2	Counterhold for over centre locks	D=12mm
453 230	Counterhold for over centre locks	t=6mm
453 210	Counterhold for over centre locks	D=14mm, forged
453 211	Counterhold for over centre locks	D=14mm, for bolted mounting, galvanized
453 211 1	Counterhold for over centre locks	D=14mm, for bolted mounting, cast steel
453 232	Spring bolt	D=18mm

Over centre locks



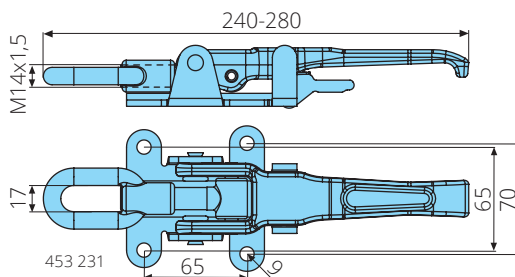
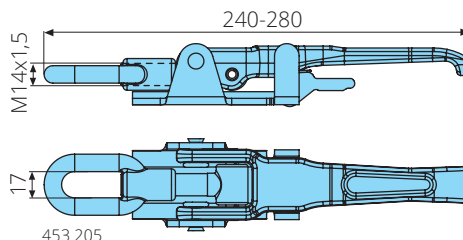
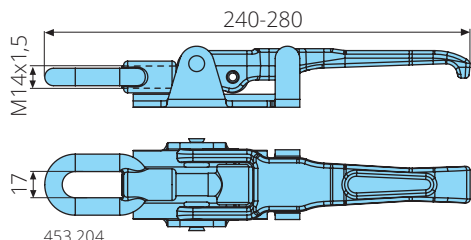
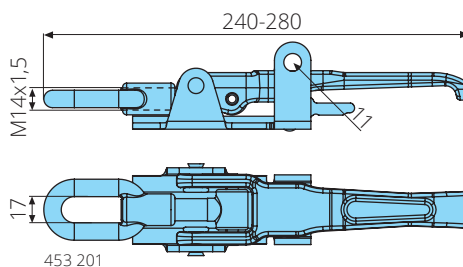
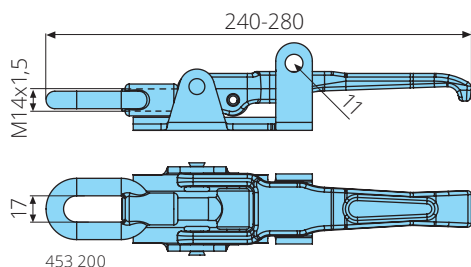
Article no.	Product	Description
453 500	Over centre lock	M14x2mm, stroke 25mm, with automatic safety latch, with padlock fitting
453 510	Over centre lock	M14x2mm, stroke 25mm, with automatic safety latch
453 501	Over centre lock	M14x2mm, stroke 25mm, with automatic safety latch, with padlock fitting, for bolted mounting
453 224	Over centre lock	M14x1,5mm, stroke 25mm, with automatic safety latch, with padlock fitting
453 226	Over centre lock	M14x1,5mm, stroke 25mm, with automatic safety latch
453 225	Over centre lock	M14x1,5mm, stroke 25mm, with automatic safety latch, with padlock fitting, for bolted mounting
453 229	Over centre lock	M14x1,5mm, stroke 25mm, with automatic safety latch, for bolted mounting, galvanized
453 229 1	Over centre lock	M14x1,5mm, stroke 15mm, with automatic safety latch, for bolted mounting, galvanized

Over centre lid lock

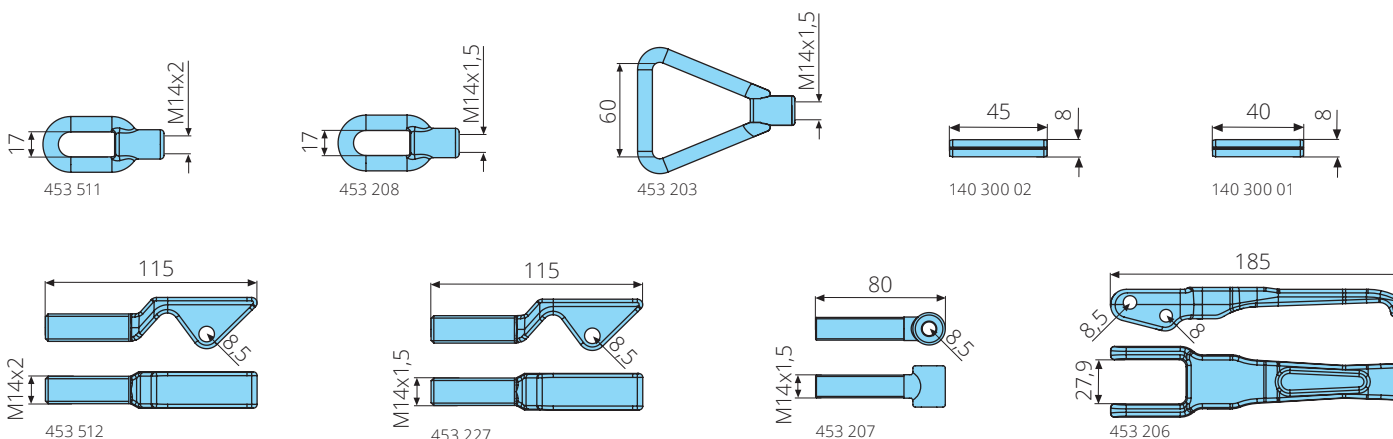


Article no.	Product	Description
453 520	Over center lid lock	M14x2mm, stroke 25mm, with automatic safety latch, with padlock fitting

Over centre locks

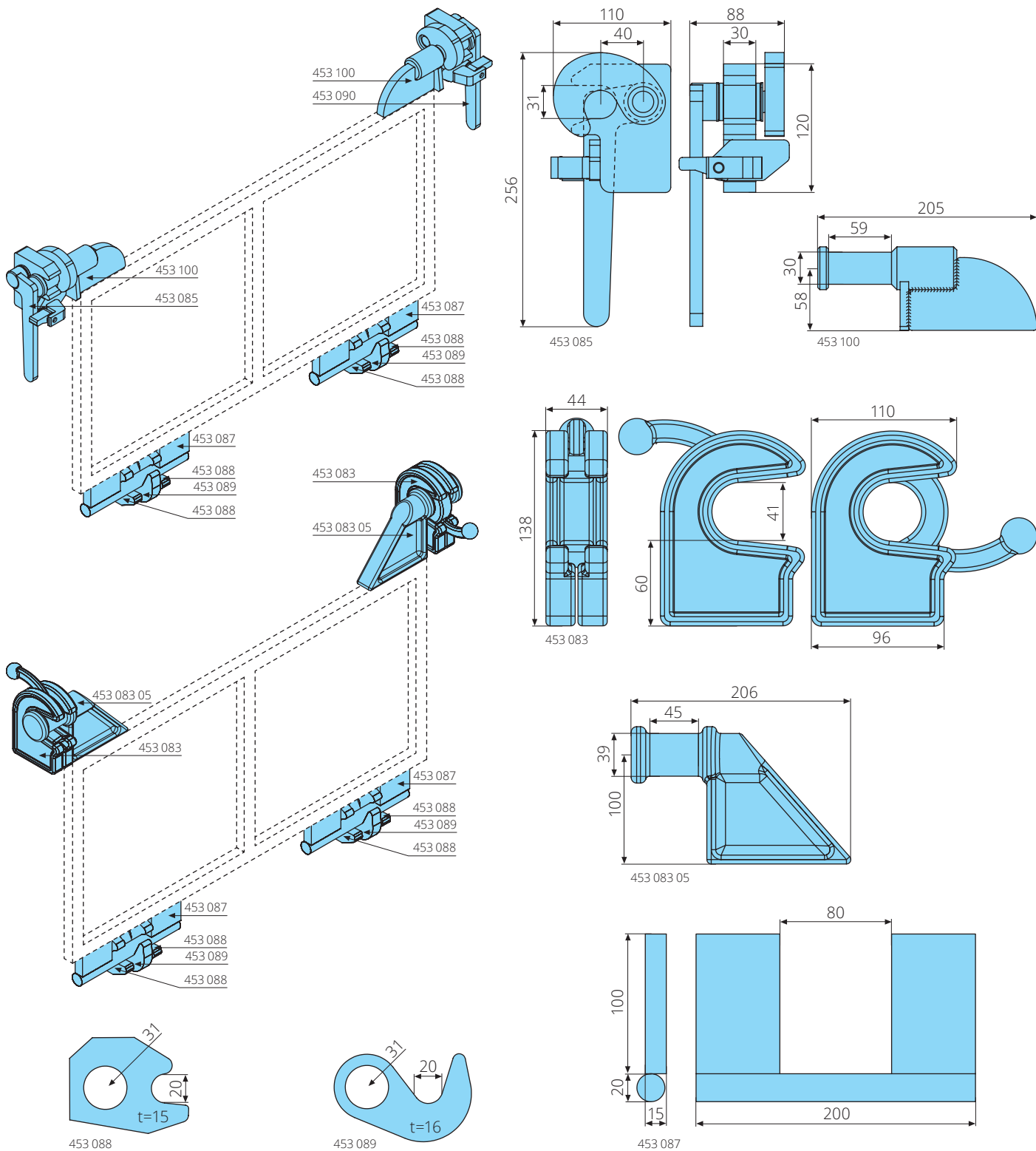


Article no.	Product	Description
453 200	Over centre lock	M14x1,5mm, stroke 25mm, with padlock fitting
453 201	Over centre lock	M14x1,5mm, stroke 25mm, with automatic safety latch, with padlock fitting
453 204	Over centre lock	M14x1,5mm, stroke 30mm
453 205	Over centre lock	M14x1,5mm, stroke 30mm, with automatic safety latch
453 231	Over centre lock	M14x1,5mm, stroke 30mm, with automatic safety latch, for bolted mounting, galvanized



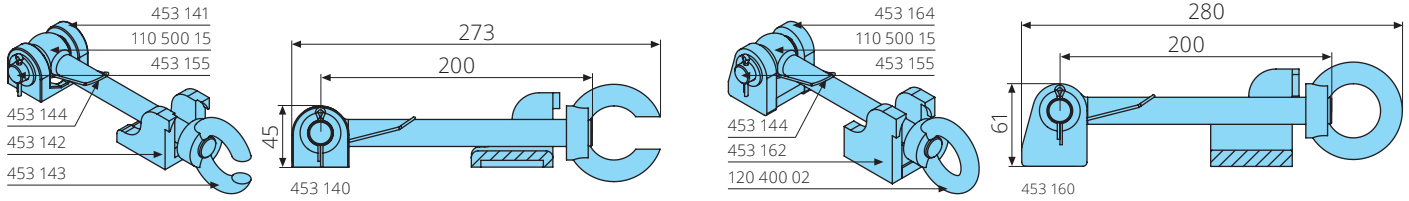
Article no.	Product	Description
453 511	Threaded eye	M14x2mm, spare part for 453 500 /-501 /-510 /-520, galvanized
453 208	Threaded eye	M14x1,5mm, spare part for 453 200 /-201 /-204 /-205 /-224 /-225 /-226 /-229 /-231, galvanized
453 203	Triangular eye	M14x1,5mm, spare part for 453 200 /-201 /-204 /-205 /-224 /-225 /-226 /-229 /-231, galvanized
453 512	Threaded arm	M14x2mm, spare part for 453 500 /-501 /-510 /-520, galvanized
453 227	Threaded arm	M14x1,5mm, spare part for 453 224 /-225 /-226 /-229, galvanized
453 207	Eyebolt	M14x1,5mm, spare part for 453 200 /-201 /-204 /-205 /-231
453 206	Handle	L=185mm, spare part for 453 200 /-204, forged
140 300 01	Spring pin	8x40mm, ISO 8752
140 300 02	Spring pin	8x45mm, ISO 8752

Systems for tailgates



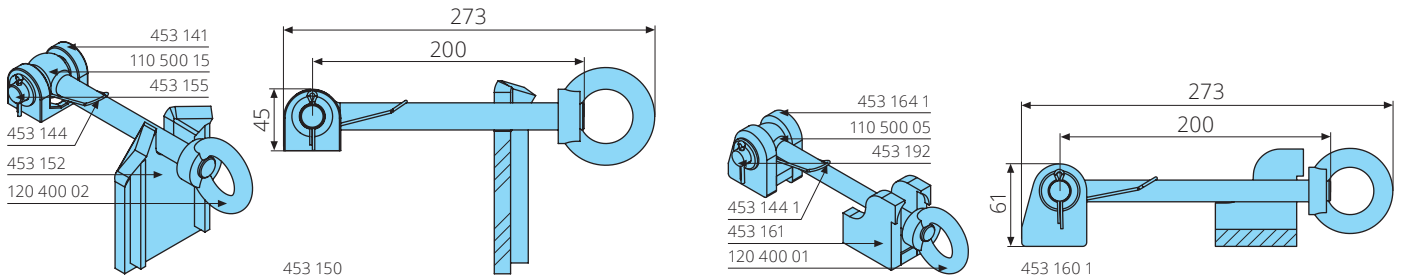
Article no.	Product	Description
453 085	Tailgate lock	d=31mm, left, hinged
453 090	Tailgate lock	d=31mm, right, hinged
453 100	Pin for tailgate lock	30x59mm
Article no.	Product	Description
453 083	Tailgate lock	d=42mm, left/right
453 083 05	Pin for tailgate lock	39x45mm
Article no.	Product	Description
453 088	Tailgate bearing	d=20mm, bore or shaft d=31mm
453 089	Tailgate hook	d=20mm, bore or shaft d=31mm
453 087	Tailgate hinge	D=20mm

Tailgate locks



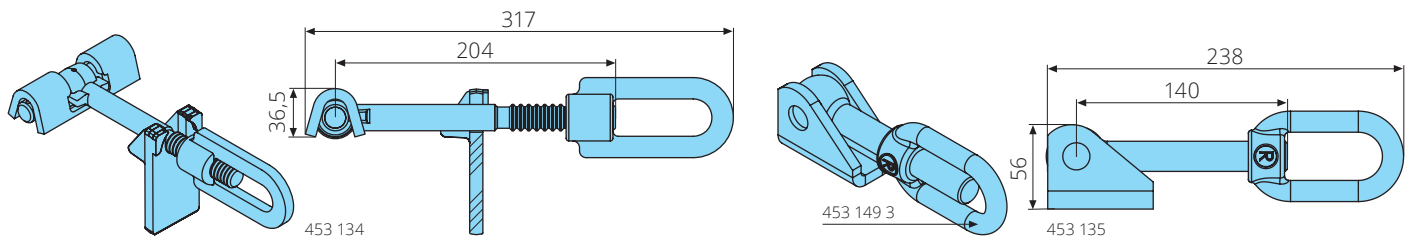
Article no.	Product	Description
453 140	Tailgate lock complete	M20, flat version, retaining spring
453 160	Tailgate lock complete	M20, with retaining spring

Article no.	Product	Description
453 141	Container bracket	for M20, flat version, cast steel
453 164	Container bracket	for M20
453 155	Pin	18x75mm, for eye bolt M20, galvanized, with cotter pin & washer
453 144	Retaining spring	d=21mm, wire D=2mm, galvanized
110 500 15	Eyebolt	M20x200mm, galvanized, continuous thread, DIN 444
453 143	Ring nut with slit	M20, galvanized, slit 24mm
120 400 02	Ring nut	M20, galvanized, DIN 582
453 142	Door bracket	for M20, flat Version, cast steel
453 162	Door bracket	for M20



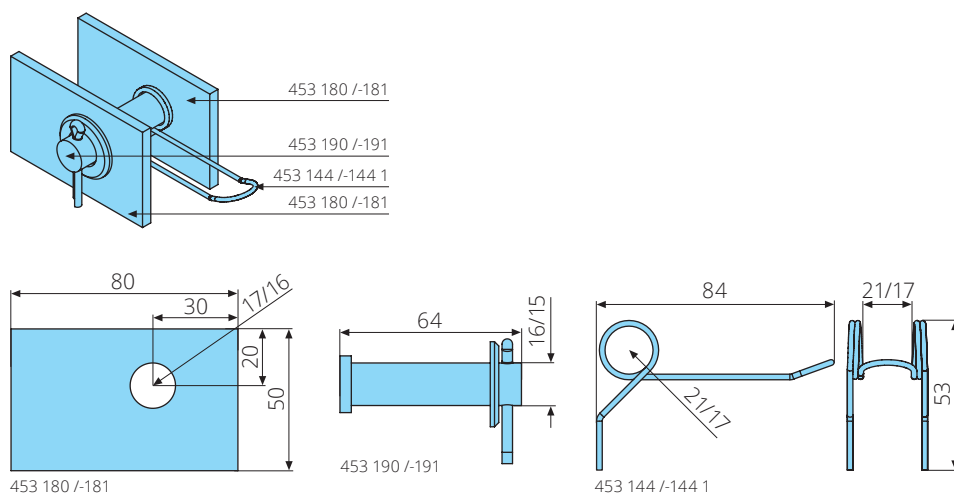
Article no.	Product	Description
453 150	Tailgate lock complete	M20, with retaining spring
453 160 1	Tailgate lock complete	M16, with retaining spring

Article no.	Product	Description
453 141	Container bracket	for M20, flat version, cast steel
453 164 1	Container bracket	for M16
453 155	Pin	18x75mm, for eye bolt M20, galvanized, with cotter pin & washer
453 192	Pin	15x70mm, for eye bolt M16, with cotter pin & washer
453 144	Retaining spring	d=21mm, wire D=2mm, galvanized
453 144 1	Retaining spring	d=17mm, for M16, wire D=2mm, galvanized
110 500 15	Eyebolt	M20x200mm, galvanized, continuous thread, DIN 444
110 500 05	Eyebolt	M16x200mm, galvanized, DIN 444
120 400 02	Ring nut	M20, galvanized, DIN 582
120 400 01	Ring nut	M16, galvanized, DIN 582
453 152	Door bracket	for M20
453 161	Door bracket	for M16, cast steel



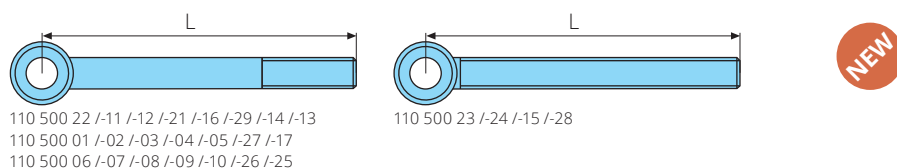
Article no.	Product	Description
453 134	Tailgate lock complete	TR20x4mm, trapezoidal thread
453 135	Tailgate lock complete	M20, with retaining spring
453 149 3	Ring nut	M20

Tailgate locks in parts



Article no.	Product	Description
453 180	Mounting plate	d=17mm, for M20
453 181	Mounting plate	d=16mm, for M16
453 190	Pin	16x64mm, for M20, with cotter pin & washer
453 191	Pin	15x64mm, for M16, with cotter pin & washer
453 144	Retaining spring	d=21mm, wire D=2mm, galvanized
453 144 1	Retaining spring	d=17mm, for M16, wire D=2mm, galvanized

Eyebolts

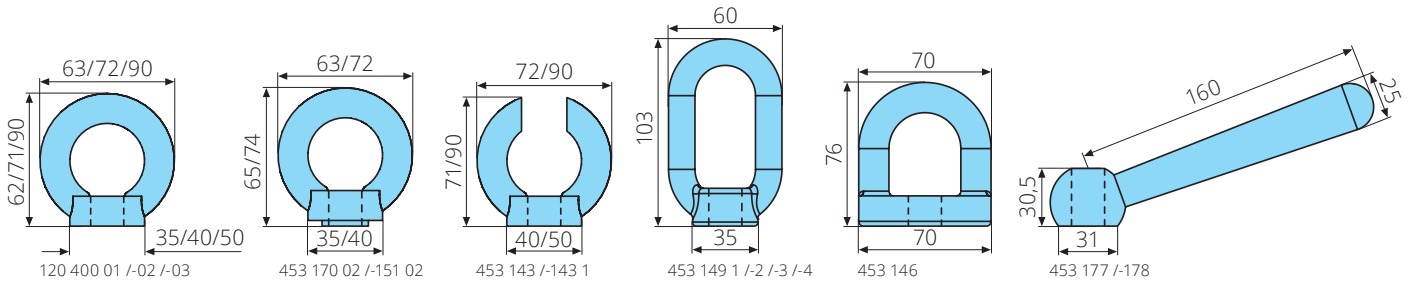


110 500 22 /-11 /-12 /-21 /-16 /-29 /-14 /-13
 110 500 01 /-02 /-03 /-04 /-05 /-27 /-17
 110 500 06 /-07 /-08 /-09 /-10 /-26 /-25

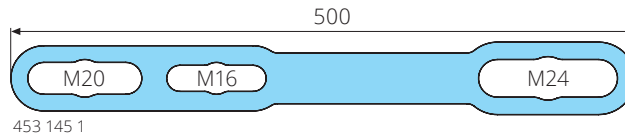
110 500 23 /-24 /-15 /-28

Article no.	Product	Description
110 500 22	Eyebolt	M10x80mm, galvanized, DIN 444
110 500 11	Eyebolt	M12x70mm, DIN 444
110 500 12	Eyebolt	M12x70mm, left-hand thread, DIN 444
110 500 21	Eyebolt	M12x80mm, galvanized, DIN 444
110 500 16	Eyebolt	M14x80mm, galvanized, left-hand thread, DIN 444
110 500 29	Eyebolt	M14x120mm, galvanized, left-hand thread, DIN 444
110 500 14	Eyebolt	M16x70mm, DIN 444
110 500 13	Eyebolt	M16x70mm, left-hand thread, DIN 444
110 500 01	Eyebolt	M16x120mm, galvanized, DIN 444
110 500 02	Eyebolt	M16x140mm, galvanized, DIN 444
110 500 03	Eyebolt	M16x160mm, galvanized, DIN 444
110 500 04	Eyebolt	M16x180mm, galvanized, DIN 444
110 500 05	Eyebolt	M16x200mm, galvanized, DIN 444
110 500 24	Eyebolt	M16x200mm, galvanized, continuous thread, DIN 444
110 500 27	Eyebolt	M18x200mm, galvanized, DIN 444
110 500 17	Eyebolt	M20x100mm, galvanized, DIN 444
110 500 06	Eyebolt	M20x120mm, galvanized, DIN 444
110 500 07	Eyebolt	M20x140mm, galvanized, DIN 444
110 500 08	Eyebolt	M20x160mm, galvanized, DIN 444
110 500 09	Eyebolt	M20x180mm, galvanized, DIN 444
110 500 15	Eyebolt	M20x200mm, galvanized, continuous thread, DIN 444
110 500 10	Eyebolt	M20x220mm, galvanized, DIN 444
110 500 39	Eyebolt	M20x240mm, galvanized, DIN 444
110 500 30	Eyebolt	M20x260mm, galvanized, DIN 444
110 500 23	Eyebolt	M24x180mm, galvanized, continuous thread, DIN 444
110 500 28	Eyebolt	M24x280mm, galvanized, continuous thread, DIN 444
110 500 26	Eyebolt	M24x250mm, galvanized, eye d=25mm
110 500 25	Eyebolt	M24x270mm, galvanized, DIN 444

Ring nuts & Nuts with handle

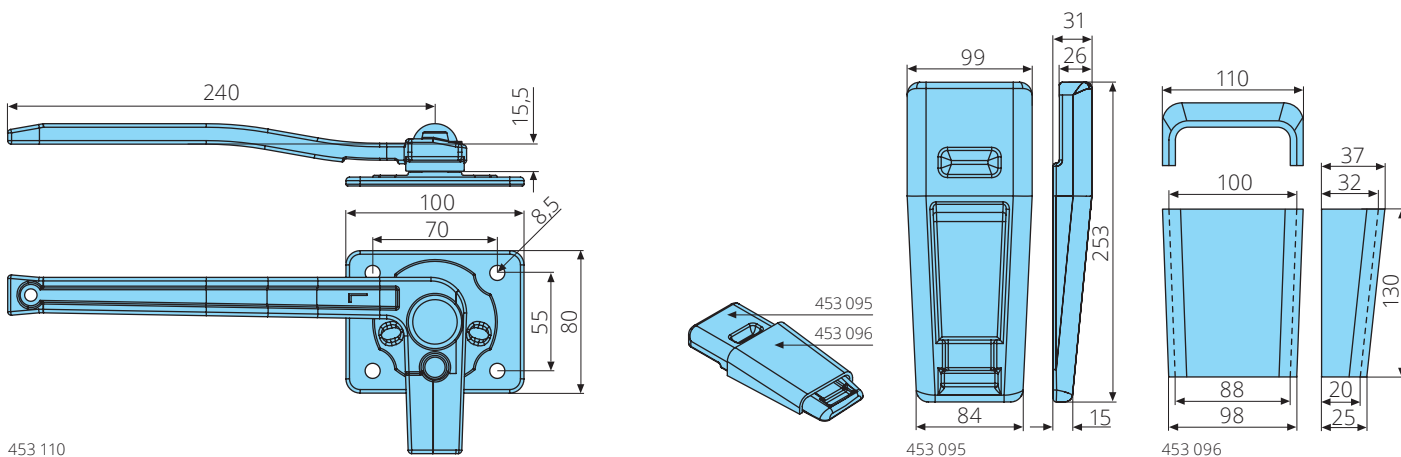


Article no.	Product	Description
120 400 01	Ring nut	M16, galvanized, DIN 582
453 170 02	Ring nut with collar	M16, galvanized, collar 3x18mm
453 149 1	Ring nut	M16
453 149 2	Ring nut	M18
120 400 02	Ring nut	M20, galvanized, DIN 582
453 151 02	Ring nut with collar	M20, galvanized, collar 3x22mm
453 143	Ring nut with slit	M20, galvanized, slit 24mm
453 149 3	Ring nut	M20
453 146	Ring nut	M20, galvanized
120 400 03	Ring nut	M24, galvanized, DIN 582
453 143 1	Ring nut with slit	M24, galvanized, slit 28mm
453 149 4	Ring nut	M24
453 145 1	Key for ring nuts	500x50x12mm, for M16, M20 & M24, galvanized
453 177	Nut with handle	M16, galvanized
453 178	Nut with handle	M20, galvanized



Article no.	Product	Description
453 145 1	Key for ring nuts	500x50x12mm, for M16, M20 & M24, galvanized

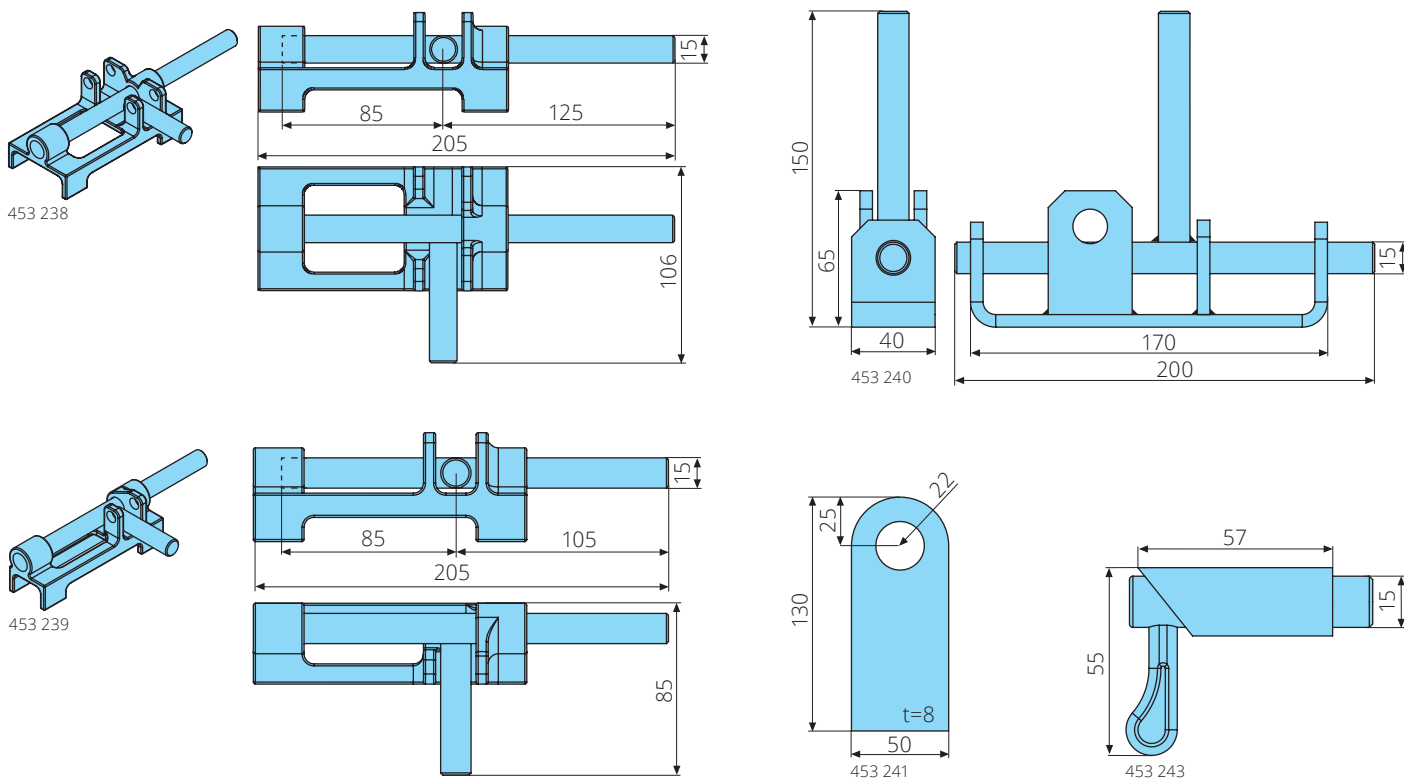
Flap locks for platform containers



453 110

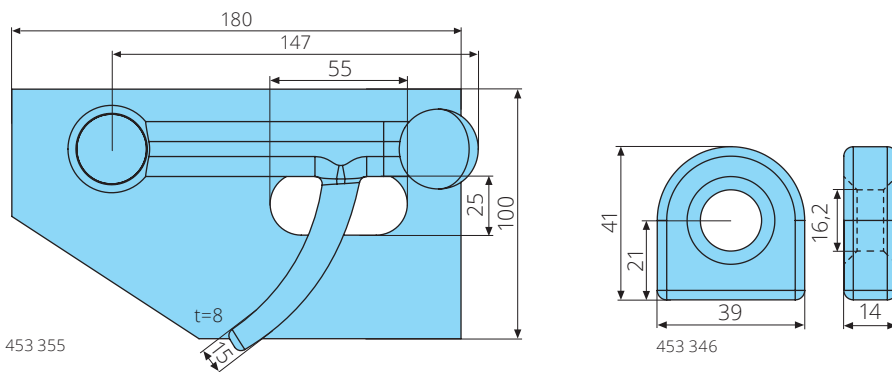
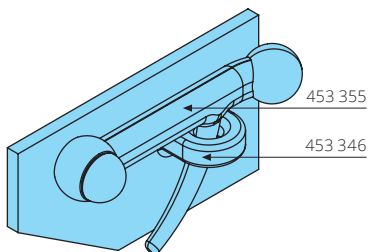
Article no.	Product	Description
453 110	Flap lock	left, forged
453 111	Flap lock	right, forged
453 095	Stanchion key	99x253mm, cast steel
453 096	Stanchion pocket	110x130mm

Bolt locks

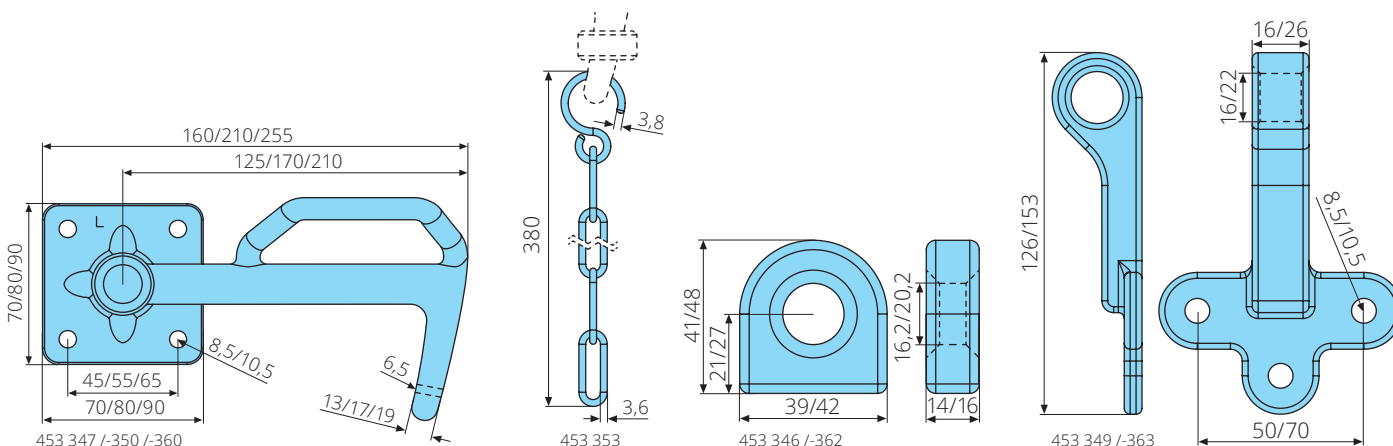


Article no.	Product	Description
453 238	Bolt lock	D=15mm, left/right, with padlock fitting
453 239	Bolt lock	D=15mm, right, with padlock fitting
453 240	Bolt lock	D=15mm, left/right, with padlock fitting
453 241	Locking plate for bolt lock	d=22mm
453 243	Spring bolt	D=15mm, galvanized

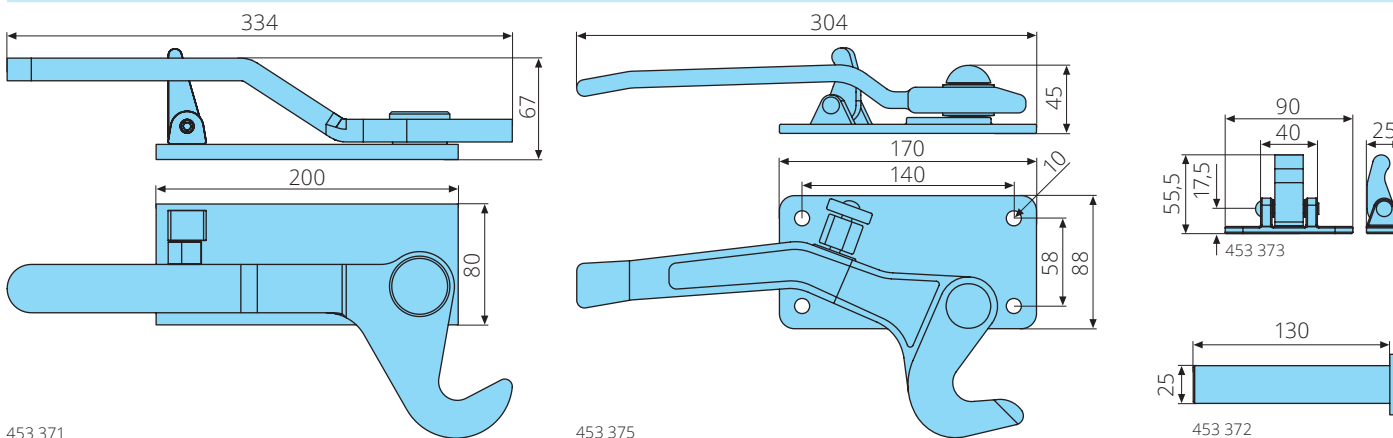
Door & Tailgate locks



Article no.	Product	Description
453 355	Door lock	D=15mm, left, raw
453 354	Door lock	D=15mm, right, raw
453 346	Eye	d=16,2mm, for tailgate lock size 1, for welding

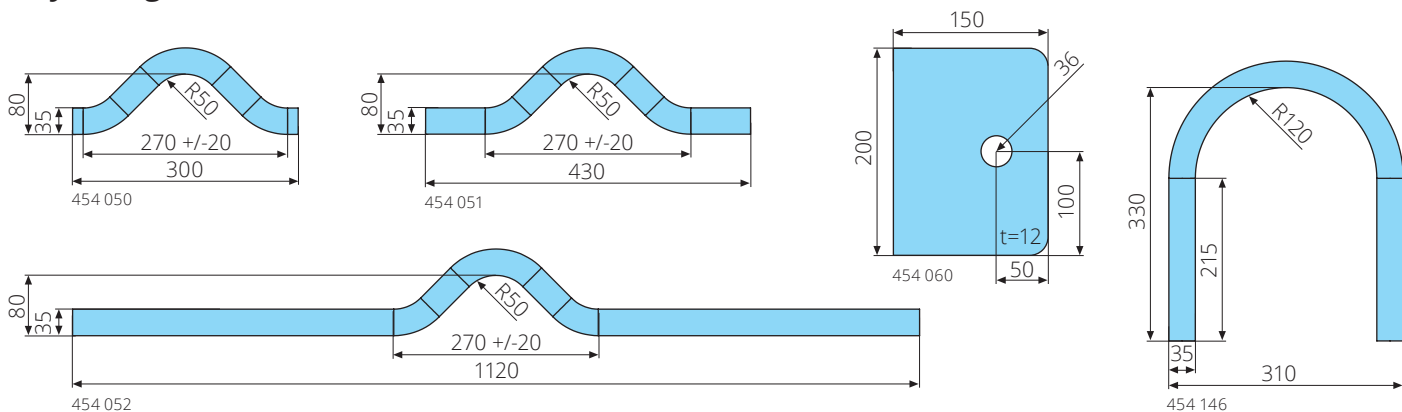


Article no.	Product	Description
453 347	Tailgate lock	D=13mm, left, size 1, hook L=125mm, plate 70x70mm, galvanized
453 348	Tailgate lock	D=13mm, right, size 1, hook L=125mm, plate 70x70mm, galvanized
453 350	Tailgate lock	D=17mm, left, size 2, hook L=170mm, plate 80x80mm, galvanized
453 351	Tailgate lock	D=17mm, right, size 2, hook L=170mm, plate 80x80mm, galvanized
453 360	Tailgate lock	D=19mm, left, size 3, hook L=210mm, plate 90x90mm, galvanized
453 361	Tailgate lock	D=19mm, right, size 3, hook L=210mm, plate 90x90mm, galvanized
453 353	Safety hook with chain	D=3,8mm, L=380mm, galvanized, packaging unit of 10
453 346	Eye	d=16,2mm, for tailgate lock size 1, for welding
453 349	Eye	d=16mm, for tailgate lock size 1, for welding, galvanized
453 362	Eye	d=20,2mm, for lock latches Size 2+3, for welding
453 363	Eye	d=22mm, for tailgate lock size 2/3, for bolted mounting, galvanized



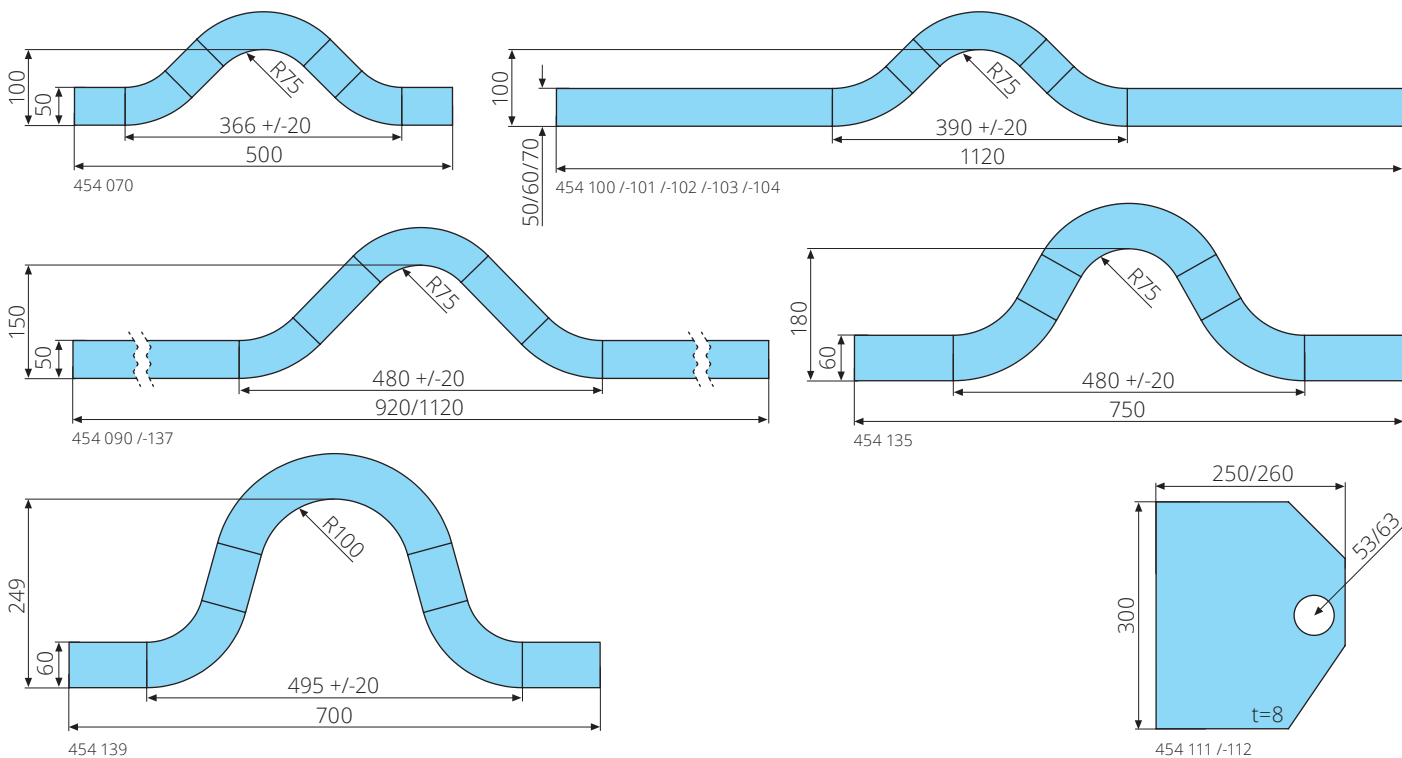
Article no.	Product	Description
453 371	Tailgate lock	left, plate 10mm
453 370	Tailgate lock	right, plate 10mm
453 375	Tailgate lock	left, forged
453 376	Tailgate lock	right, forged
453 372	Locking pin	25x130mm, for tailgate locks
453 373	Safety latch	cast steel

City lifting bars



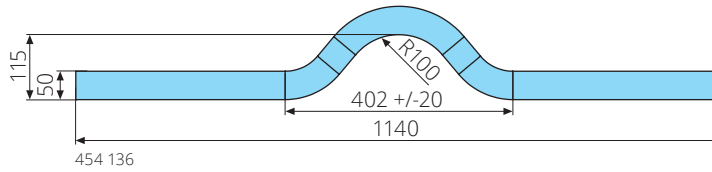
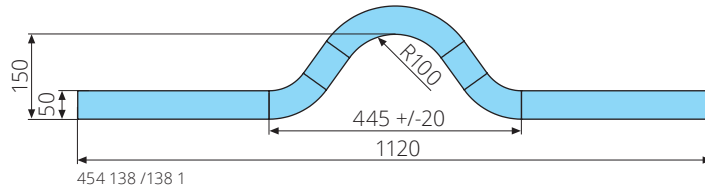
Article no.	Product	Description
454 050	City lifting bar	35x80x300mm, R50, cold-worked, S355J2+N
454 051	City lifting bar	35x80x430mm, R50, cold-worked, S355J2+N, DIN30722
454 052	City lifting bar	35x80x1120mm, R50, cold-worked, S355J2+N, DIN30722
454 060	Welding plate	12x150x200mm, d=36mm, for city lifting bar D=35mm, S355J2
454 146	City lifting bar	35x330x310mm, R120, cold-worked, S355J2+N

Lifting bars

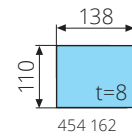
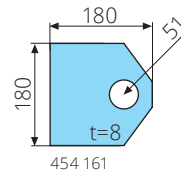
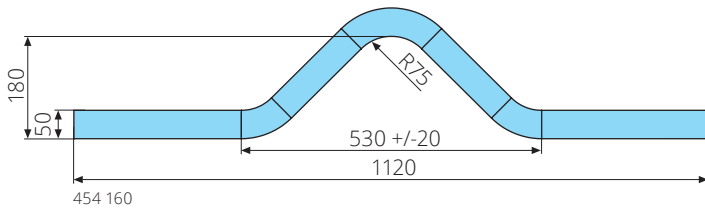


Article no.	Product	Description
454 070	Lifting bar	50x100x500mm, R75, cold-worked, S355J2+N
454 090	Lifting bar	50x150x920mm, R75, cold-worked, S355J2+N
454 137	Lifting bar	50x150x1120mm, R75, cold-worked, S355J2+N
454 100	Lifting bar	50x100x1120mm, R75, cold-worked, S355J2+N, DIN30722
454 101	Lifting bar	50x100x1120mm, R75, forged, S355J2+N, DIN30722
454 139	Lifting bar	60x249x700mm, R100, cold-worked, S355J2+N
454 135	Lifting bar	60x180x750mm, R75, forged, S355J2+N
454 102	Lifting bar	60x100x1120mm, R75, cold-worked, S355J2+N, DIN30722
454 103	Lifting bar	60x100x1120mm, R75, forged, S355J2+N, DIN30722
454 104	Lifting bar	70x100x1120mm, R75, cold-worked, S355J2+N
454 111	Welding plate	250x300x8mm, d=53mm, for lifting bars D=50mm, S355J2
454 112	Welding plate	260x300x8mm, d=53mm, for lifting bars D=60mm, S355J2

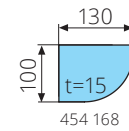
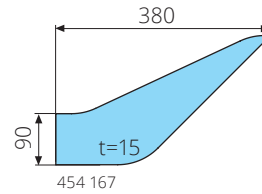
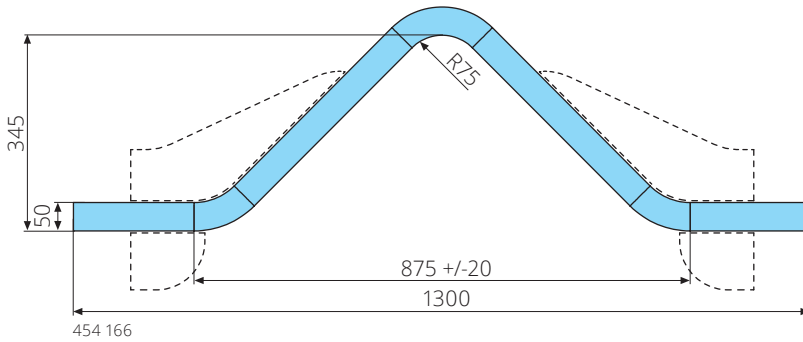
Lifting bars



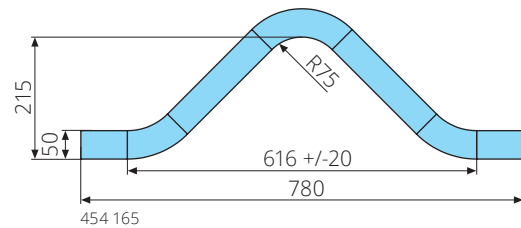
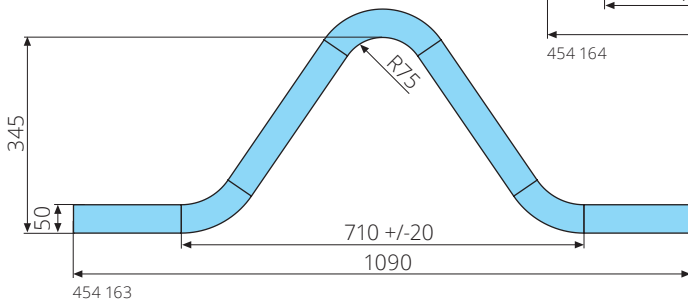
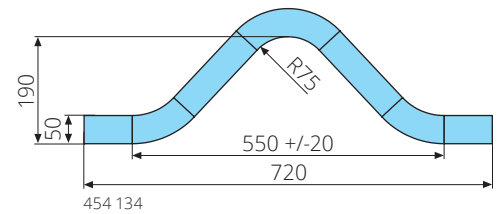
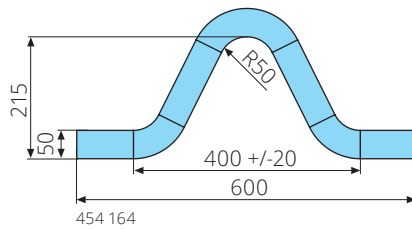
Article no.	Product	Description
454 138	Lifting bar	50x150x1120mm, R100, cold-worked, S355J2+N
454 138 1	Lifting bar	50x150x1120mm, R100, forged, S355J2+N
454 136	Lifting bar	50x115x1140mm, R100, cold-worked, S355J2+N



Article no.	Product	Description
454 160	Lifting bar	50x180x1120mm, R75, cold-worked, S355J2+N
454 161	Side plate	180x180x8mm, d=51mm
454 162	Cover plate	110x138x8mm

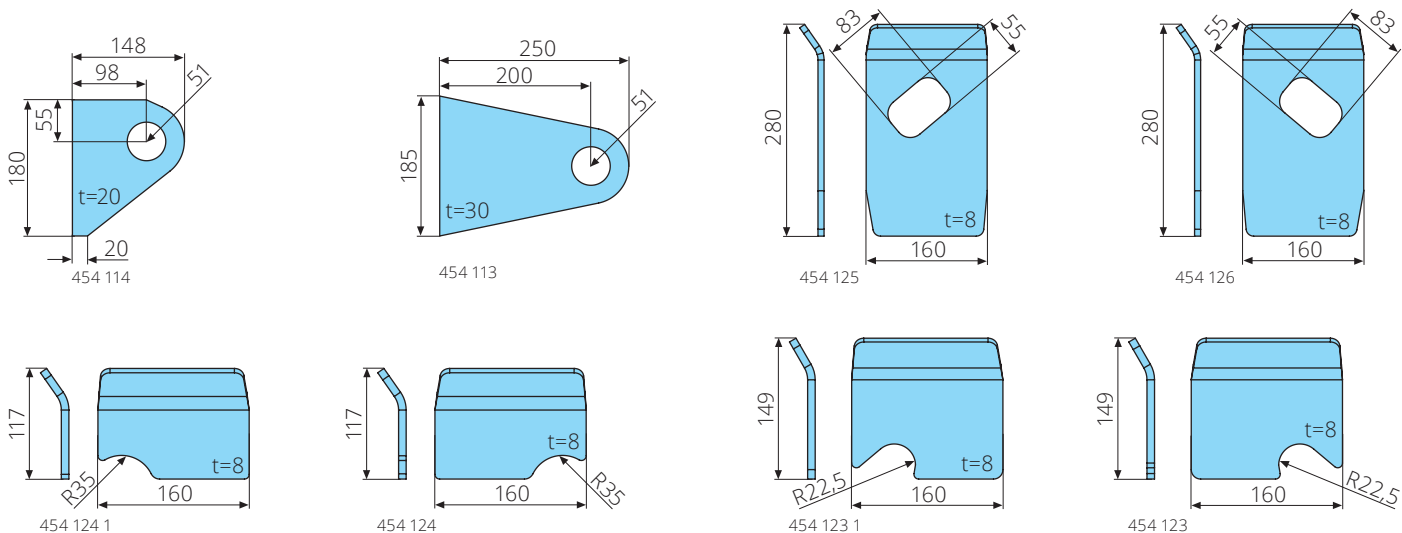


Article no.	Product	Description
454 166	Lifting bar	50x345x1300mm, R75, cold-worked, S355J2+N
454 167	Reinforcing plate	90x380x15mm
454 168	Reinforcing plate	100x130x15mm



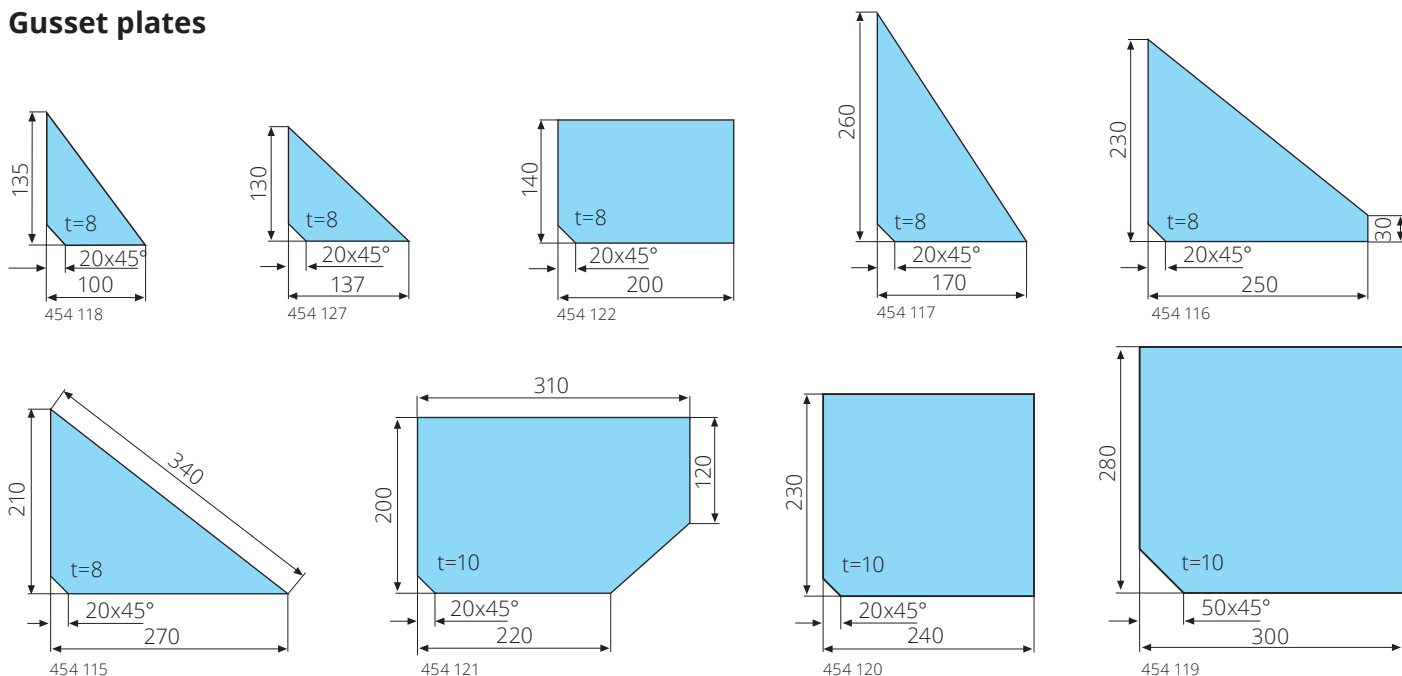
Article no.	Product	Description
454 164	Lifting bar	50x215x600mm, R50, cold-worked, S355J2+N
454 134	Lifting bar	50x190x720mm, R75, cold-worked, S355J2+N
454 165	Lifting bar	50x215x780mm, R75, cold-worked, S355J2+N
454 163	Lifting bar	50x345x1090mm, R75, cold-worked, S355J2+N

Lifting bar plates



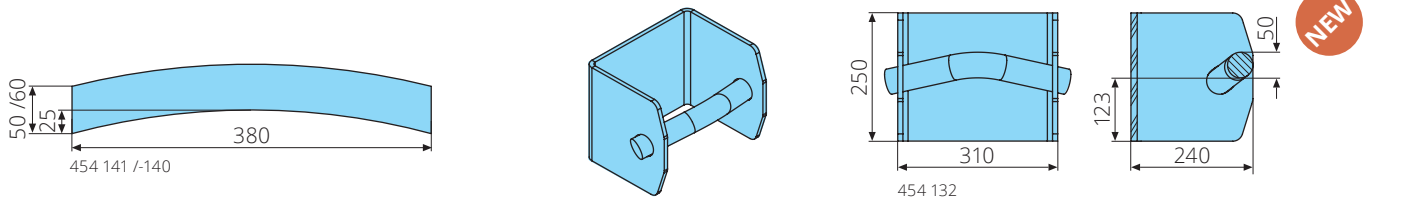
Article no.	Product	Description
454 114	Lifting bar plate	180x148x20mm, d=51mm
454 113	Lifting bar plate	250x185x30mm, d=51mm
454 125	Lifting bar plate	280x160x8mm, left
454 126	Lifting bar plate	280x160x8mm, right
454 124 1	Lifting bar plate	117x160x8mm, left
454 124	Lifting bar plate	117x160x8mm, right
454 123 1	Lifting bar plate	149x160x8mm, left
454 123	Lifting bar plate	149x160x8mm, right

Gusset plates

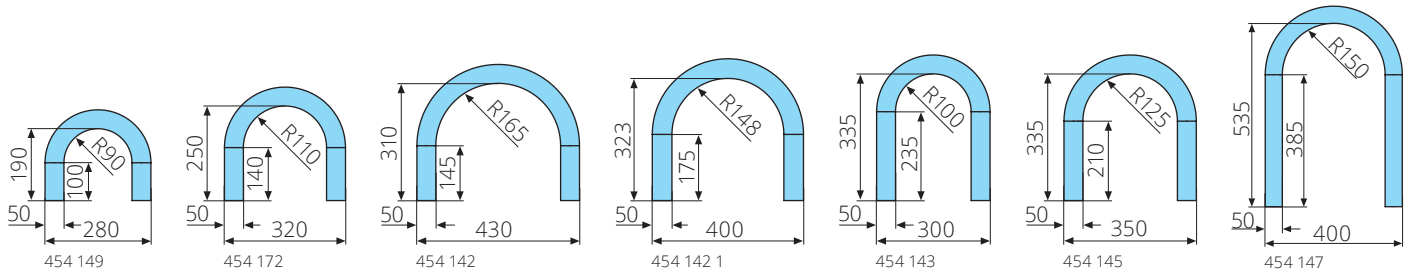


Article no.	Product	Description
454 118	Gusset plate	100x135x8mm
454 127	Gusset plate	137x130x8mm
454 122	Gusset plate	140x200x8mm
454 117	Gusset plate	170x260x8mm
454 116	Gusset plate	250x230x8mm
454 115	Gusset plate	270x210x340x8mm
454 121	Gusset plate	220x200x310x120x10mm
454 120	Gusset plate	230x240x10mm
454 119	Gusset plate	280x300x10mm

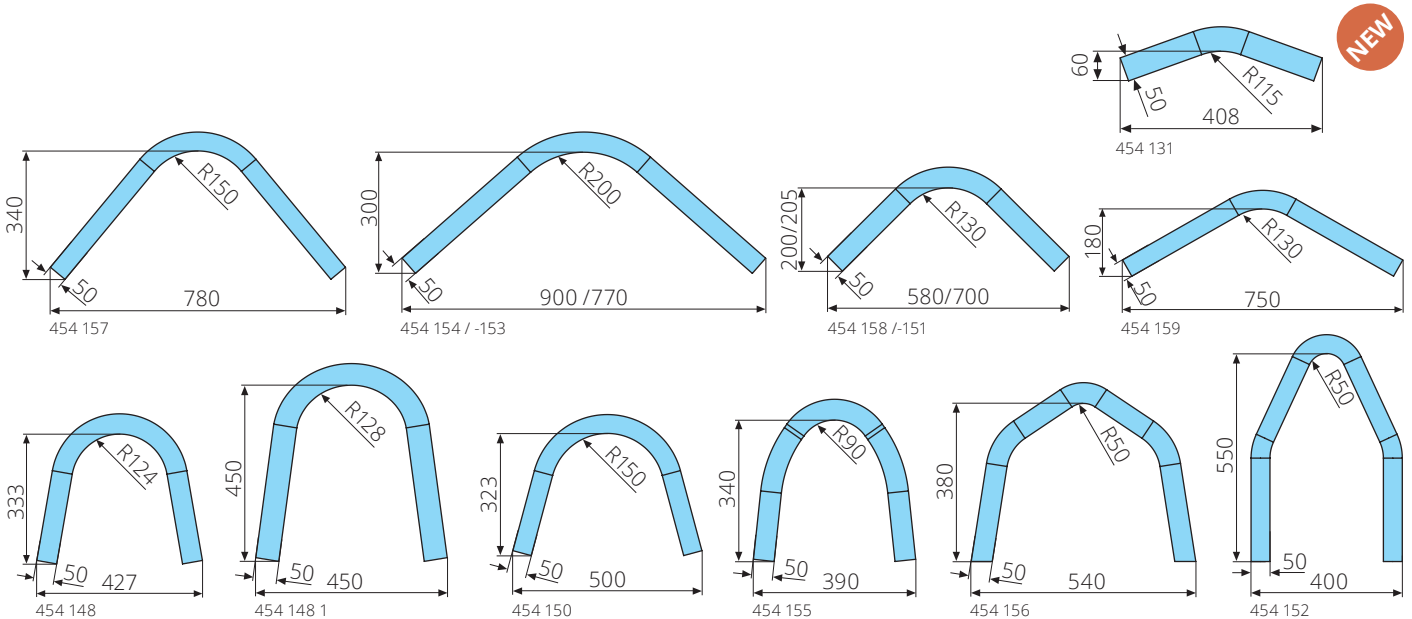
Lifting bars



Article no.	Product	Description
454 141	Lifting bar	50x25x380mm, R734, cold-worked, S355J2+N
454 140	Lifting bar	60x25x380mm, R734, cold-worked, S355J2+N
454 132	Lifting bar complete	50x310x250mm, S355J2+N, primed

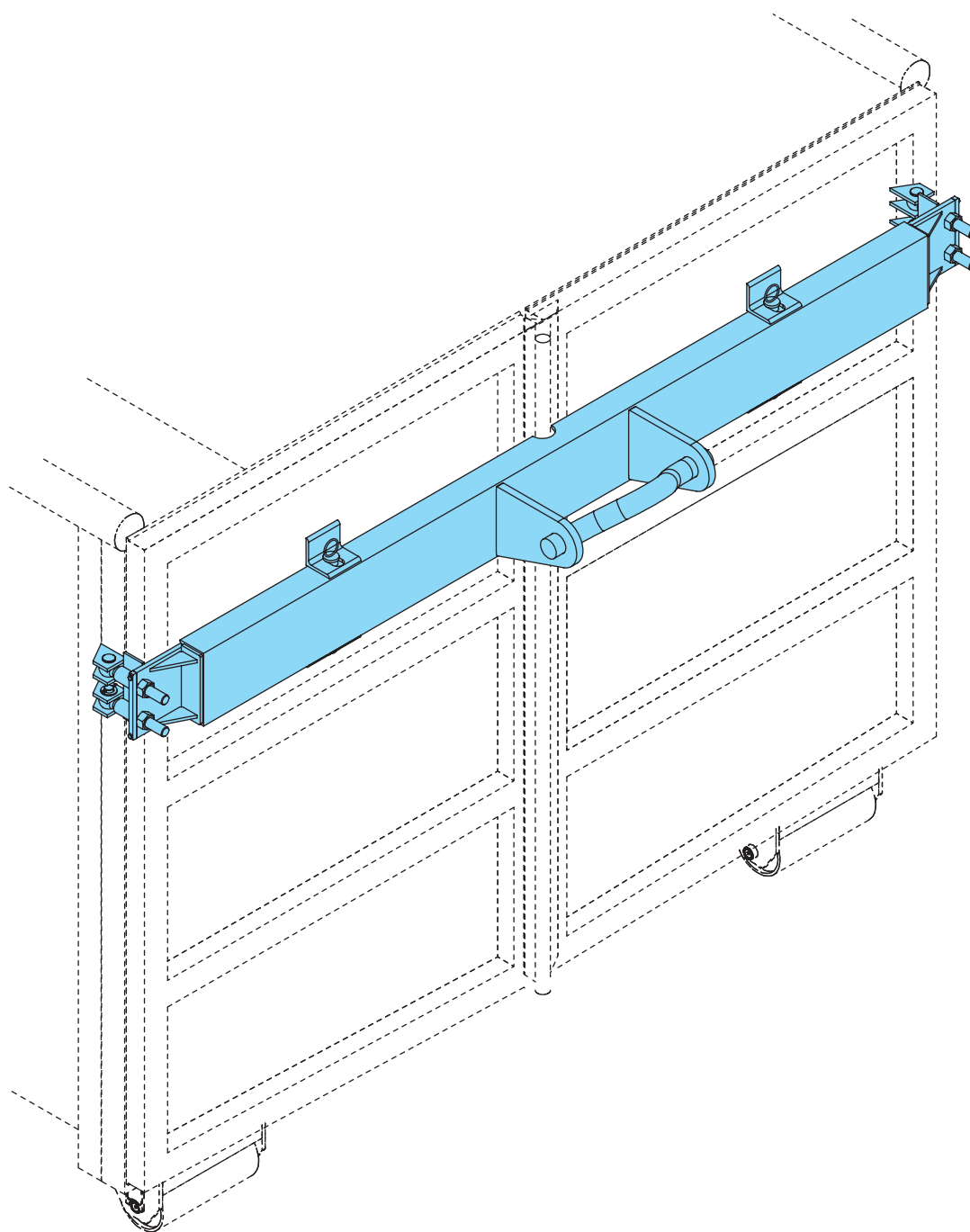


Article no.	Product	Description
454 149	Lifting bar	50x190x280mm, R90, cold-worked, S355J2+N
454 172	Lifting bar	50x250x320mm, R110, cold-worked, S355J2+N
454 142	Lifting bar	50x310x430mm, R165, cold-worked, S355J2+N
454 142 1	Lifting bar	50x323x400mm, R148, forged, S355J2+N
454 143	Lifting bar	50x335x300mm, R100, cold-worked, S335J2+N
454 145	Lifting bar	50x335x350mm, R125, cold-worked, S355J2+N
454 147	Lifting bar	50x535x400mm, R150, cold-worked, S355J2+N

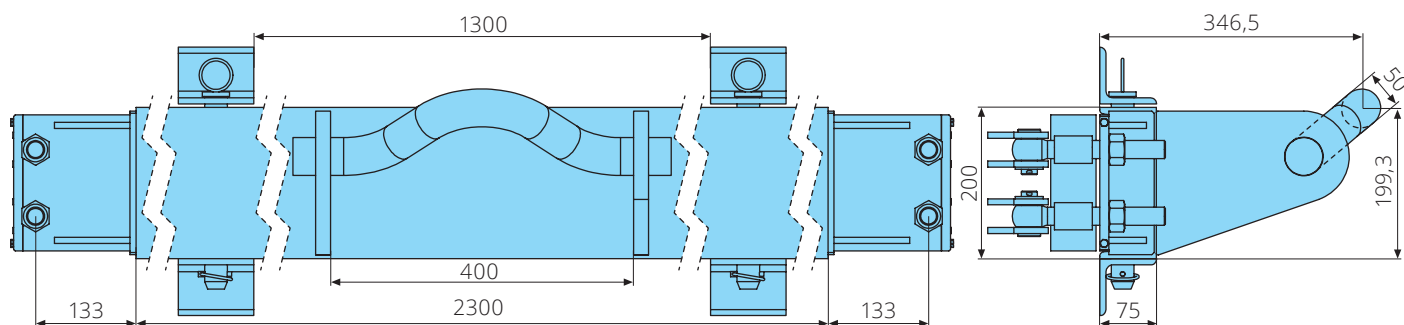


Article no.	Product	Description
454 131	Lifting bar	50x60x408mm, R115, cold-worked, S355J2+N
454 157	Lifting bar	50x340x780mm, R150, cold-worked, S355J2+N
454 154	Lifting bar	50x300x900mm, R200, cold-worked, S355J2+N
454 153	Lifting bar	50x300x770mm, R200, cold-worked, S355J2+N
454 158	Lifting bar	50x200x580mm, R130, cold-worked, S355J2+N
454 151	Lifting bar	50x205x700mm, R130, cold-worked, S355J2+N
454 159	Lifting bar	50x180x750mm, R130, cold-worked, S355J2+N
454 148	Lifting bar	50x333x427mm, R124, forged, S355J2+N
454 148 1	Lifting bar	50x450x450mm, R128, cold-worked, S355J2+N
454 150	Lifting bar	50x323x500mm, R150, cold-worked, S355J2+N
454 155	Lifting bar	50x340x390mm, R90, cold-worked, S355J2+N
454 156	Lifting bar	50x380x540mm, R50, cold-worked, S355J2+N
454 152	Lifting bar	50x550x400mm, R50, cold-worked, S355J2+N

Guiding bar complete

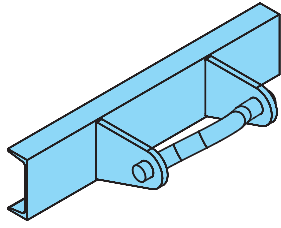


454 191

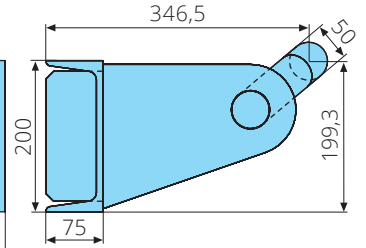
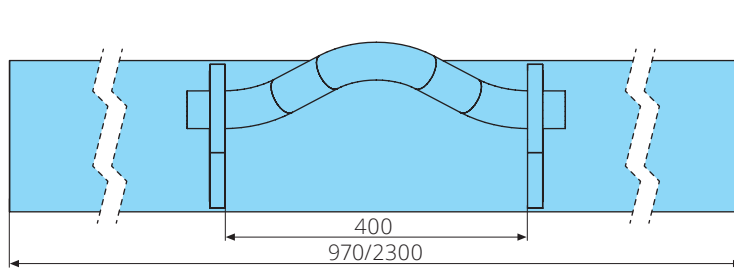


Article no.	Product	Description
454 191	Guiding bar complete	50x2300mm, for container doors, swiveling, U-profile 200mm, S355J2+N

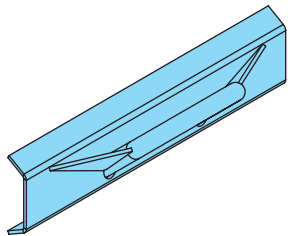
Lifting bars complete



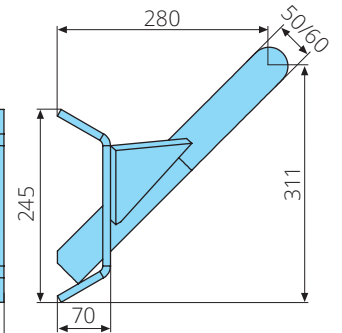
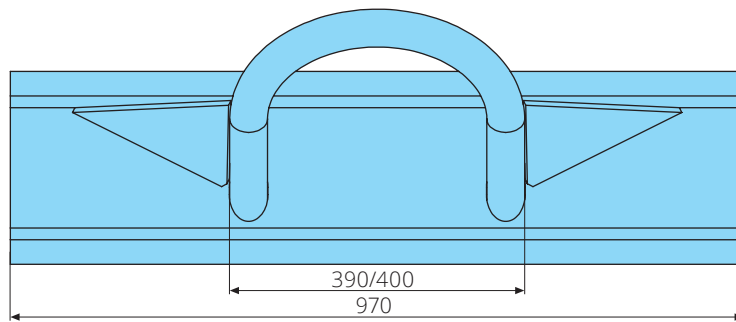
454 180 /-190



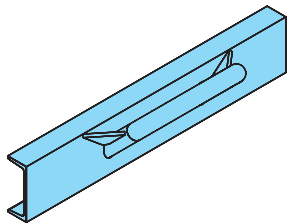
Article no.	Product	Description
454 180	Lifting bar complete	50x970mm, U-profile 200mm, primed, S355J2+N
454 190	Lifting bar complete	50x2300mm, U-profile 200mm, raw, S355J2+N



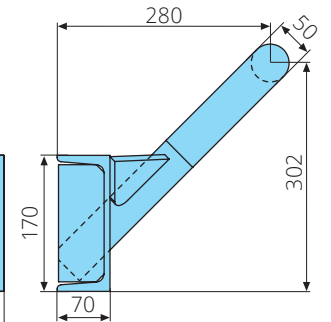
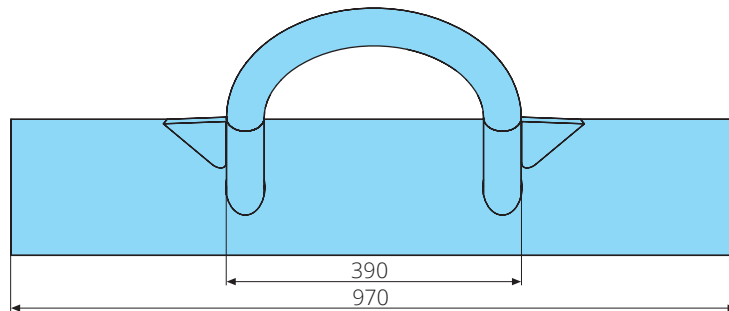
454 181 2 /-181 3



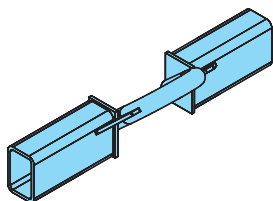
Article no.	Product	Description
454 181 2	Lifting bar complete	50x970mm, S355J2+N
454 181 3	Lifting bar complete	60x970mm, S355J2+N



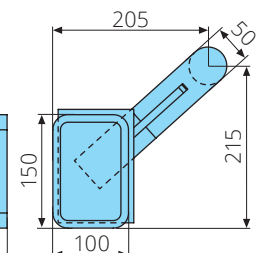
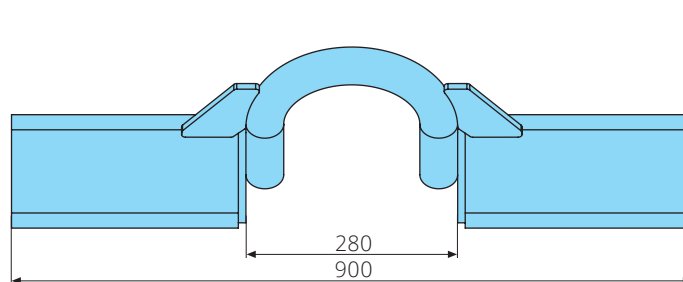
454 181 02



Article no.	Product	Description
454 181 02	Lifting bar complete	50x970mm, S355J2+N

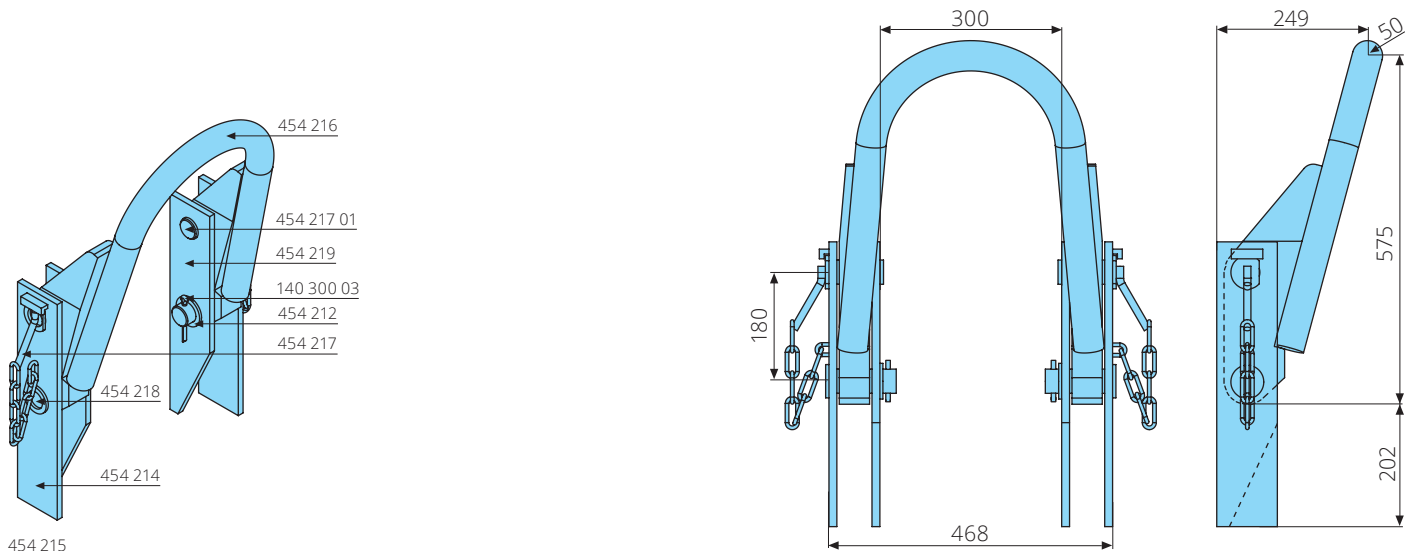


454 182



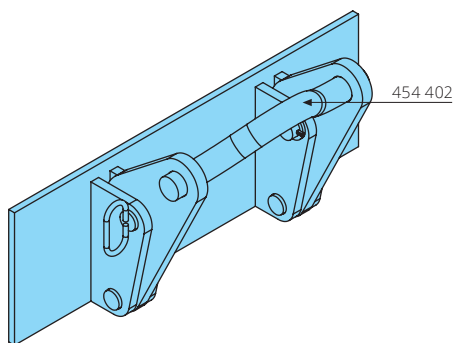
Article no.	Product	Description
454 182	Lifting bar complete	50x900mm, for volume containers, raw, S355J2+N, with lifting bar 454 149

Hinged lifting bars

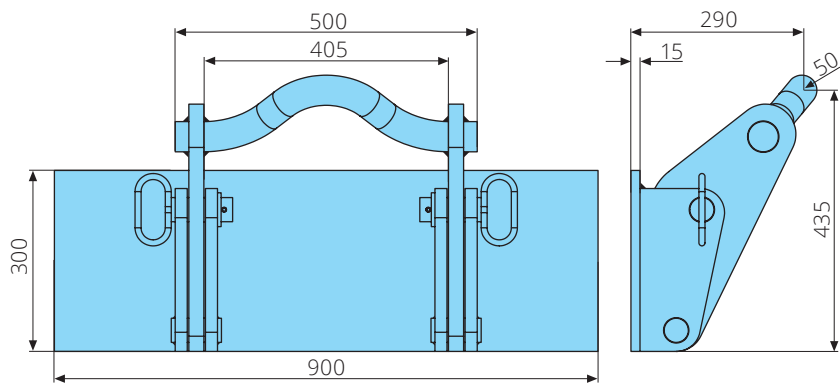


454 215

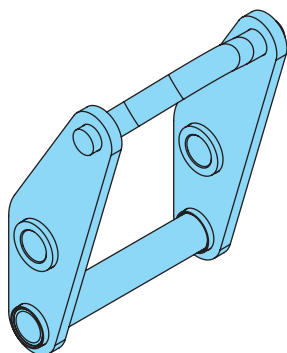
Article no.	Product	Description
454 215	Hinged lifting bar complete	50x468mm, universal, S355J2+N
454 216	Hinged lifting bar	50x434mm, S355J2+N
454 217	Bolt	40x90mm, left, with chain
454 217 01	Bolt	40x90mm, right, with chain
454 218	Bolt	40x110mm, without chain
140 300 03	Spring pin	8x70mm, ISO 8752
454 212	Washer	41-59-5mm
454 214	Plate	with pin safety latch
454 219	Plate	without pin safety latch



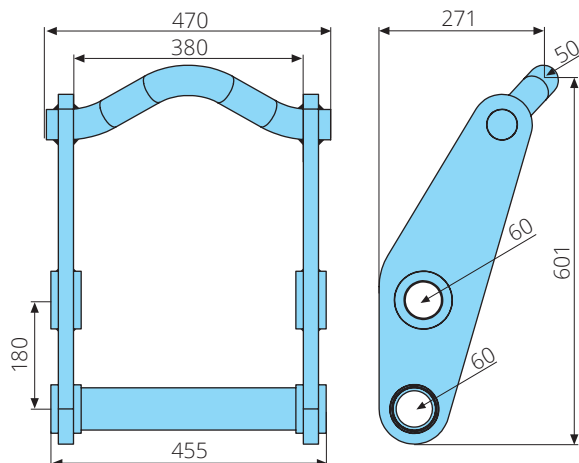
454 401



Article no.	Product	Description
454 401	Hinged lifting bar complete	50x900mm, S355J2+N
454 402	Hinged lifting bar	50x500mm, S355J2+N

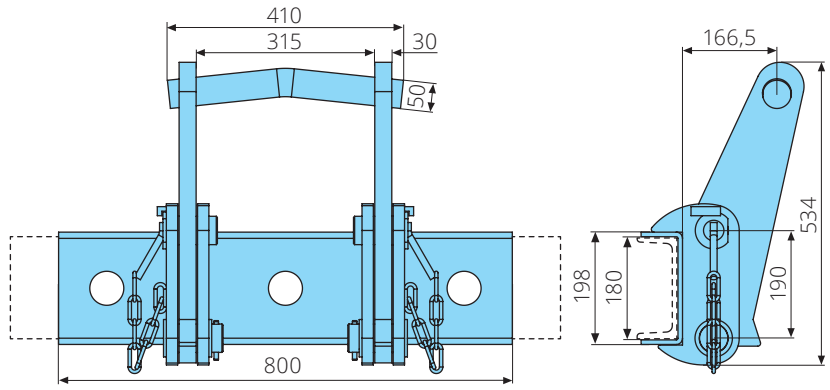
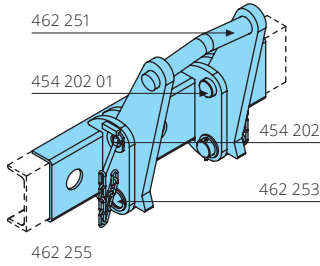


454 240

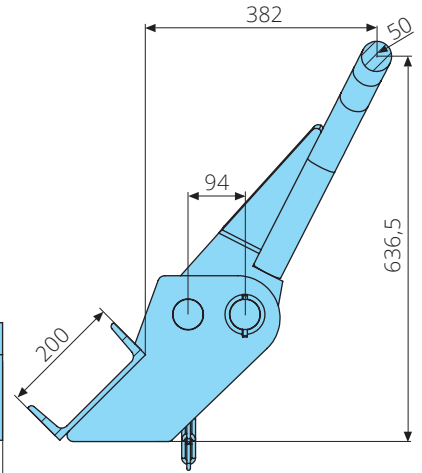
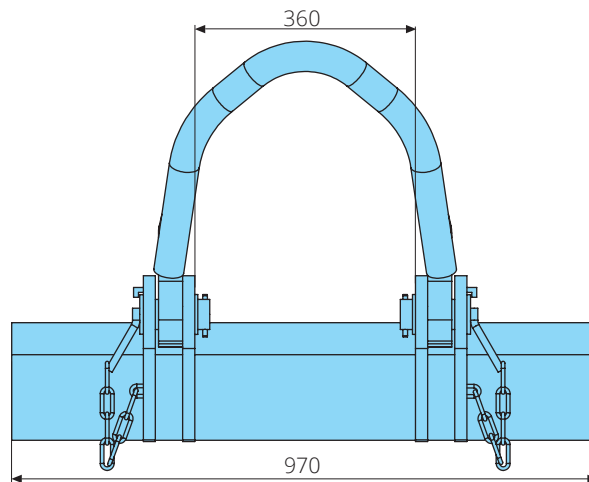
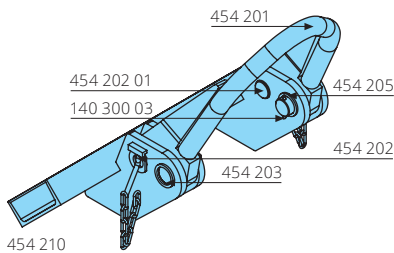
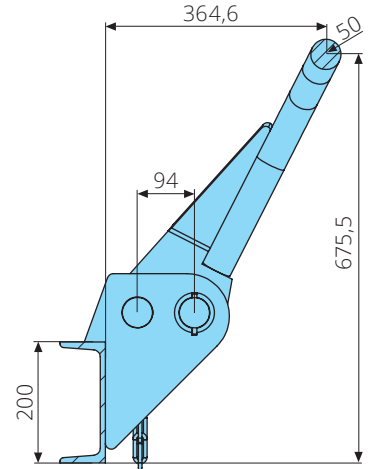
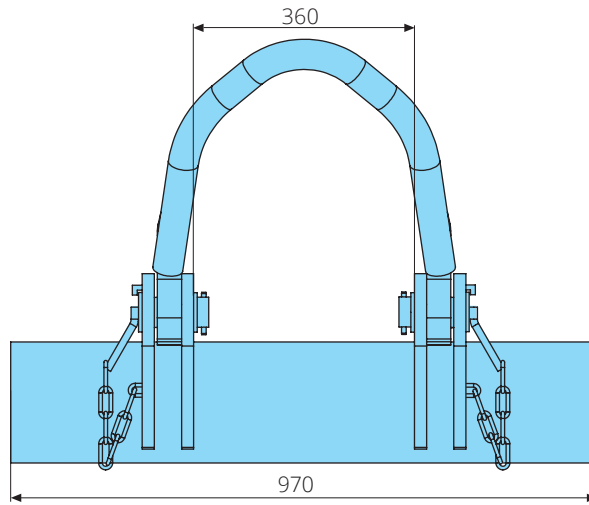
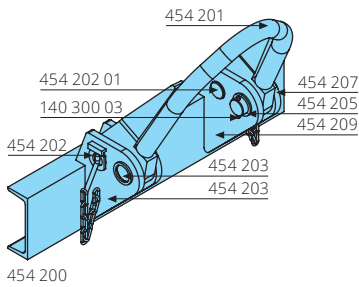


Article no.	Product	Description
454 240	Hinged lifting bar	50x455mm, S355J2+N, type LOTUS

Hinged lifting bars



Article no.	Product	Description
462 255	Hinged lifting bar complete	50x800mm, S355J2+N, type HUSMANN
462 251	Hinged lifting bar	50x410mm, S355J2+N, bore spacing 190mm, type HUSMANN
454 202	Bolt	50x90mm, left, with chain
454 202 01	Bolt	50x90mm, right, with chain
462 253	Bolt	50x100mm, type HUSMANN

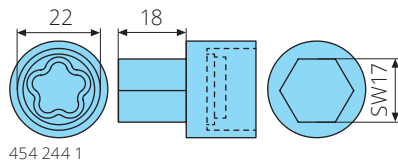
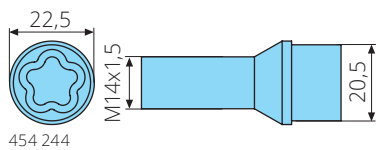
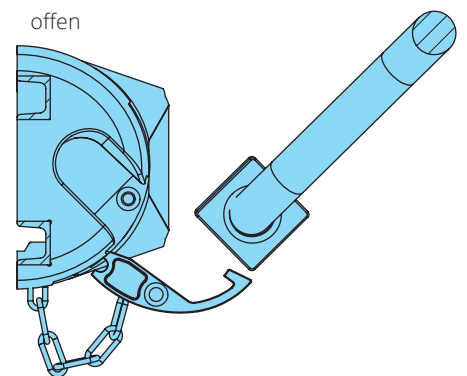
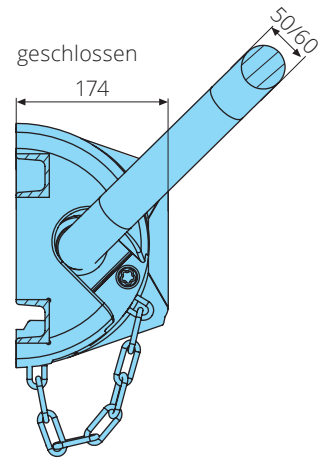
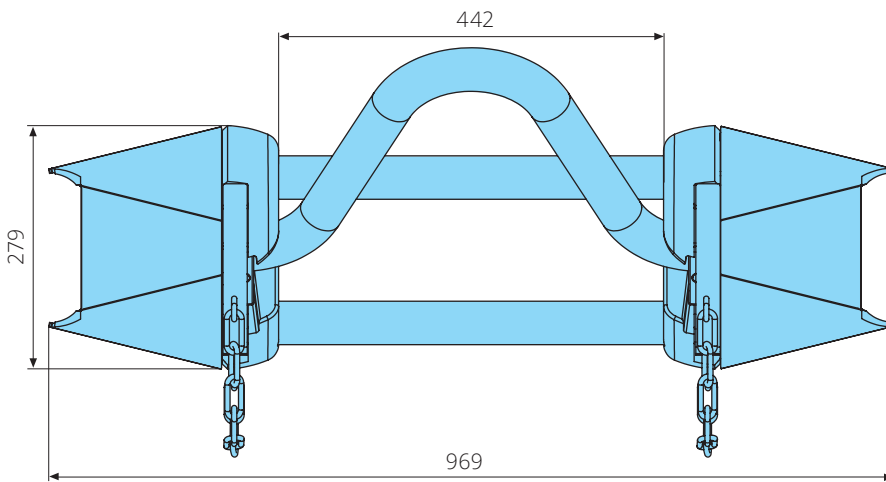
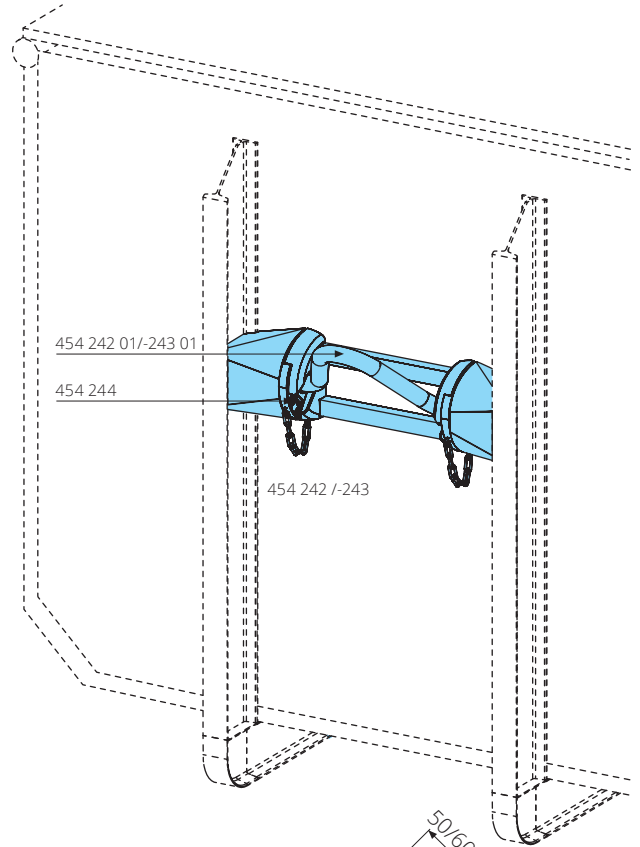


Article no.	Product	Description
454 200	Hinged lifting bar complete	50x970mm, for 90° front wall, S355J2+N
454 210	Hinged lifting bar complete	50x970mm, for 133° Front Wall, S355J2+N
454 201	Hinged lifting bar	50x485mm, S355J2+N
454 202	Bolt	50x90mm, left, with chain
454 202 01	Bolt	50x90mm, right, with chain
454 203	Bolt	50x110mm, without chain
140 300 03	Spring pin	8x70mm, ISO 8752
454 205	Washer	51-65-5mm
454 206	Side plate	left, with pin safety latch, for hinged lifting bar 454 200
454 207	Side plate	right, with pin safety latch, for hinged lifting bar 454 200
454 209	Side plate	internal, without pin safety latch, for hinged lifting bar 454 200

Exchangeable lifting bars

- due to the slot system the lifting bar is easily interchangeable
- can be used as an anti-theft device or for locking reserved containers
- 50/60mm bar diameter with identical mounting
- maximum carrying capacity 15/24 tonnes
- own weight 17/22 kg
- the bar can be secured with a standard or personalised lock
- easy to fit as installation dimensions comply with DIN
- DEKRA tested
- only for I-profile, for U-profile on request

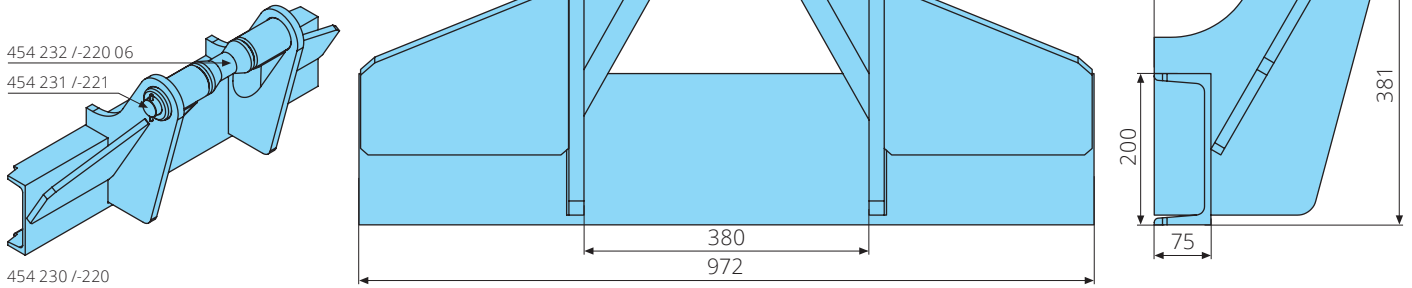
Utility model DE 20 2012 008 224.8



Article no.	Product	Description
454 242	Exchangeable lifting bar complete	50x969mm, S355J2+N
454 242 01	Exchangeable lifting bar	50x565mm, S355J2+N
454 243	Exchangeable lifting bar complete	60x969mm, S355J2+N
454 243 01	Exchangeable lifting bar	60x565mm, S355J2+N
Article no.	Product	Description
454 244	Lock for exchangeable lifting bar	M14x1,5mm
454 244 1	Key for exchangeable lifting bar	SW17

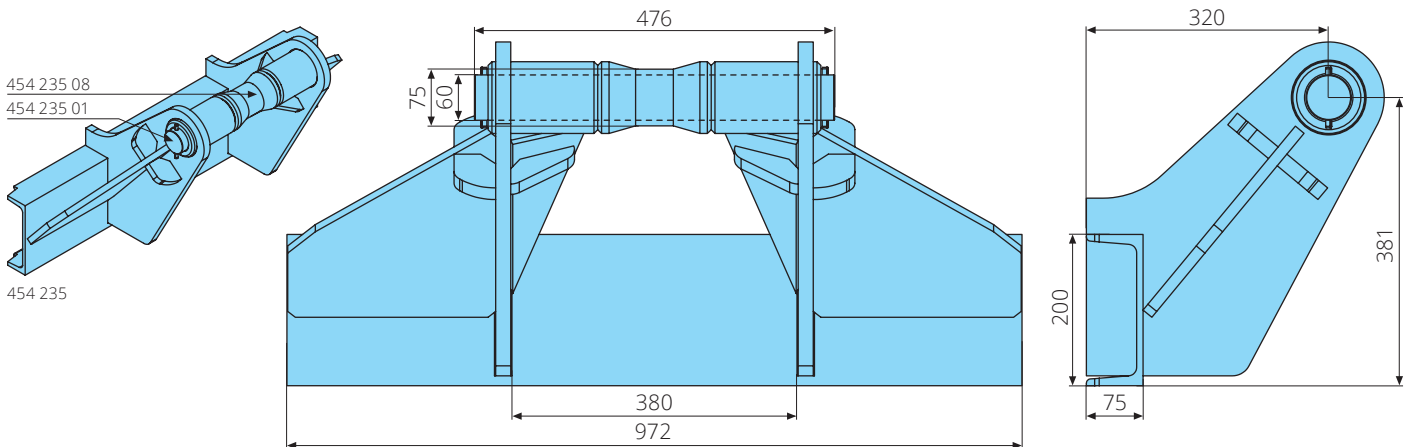
Heavy duty lifting bars

- low wear on roller & lifting hook
- low-noise
- low costs for UVV testing
- no welding work when changing



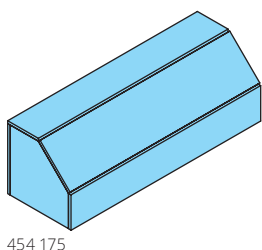
Article no.	Product	Description
454 230	Heavy duty lifting bar complete	55x972mm, roller D=55mm
454 231	Shaft	45x476mm, 42CrMo4
454 232	Roller	45-55-150mm, with 2 bushings

Article no.	Product	Description
454 220	Heavy duty lifting bar complete	65x972mm, roller D=65mm
454 221	Shaft	50x476mm, S355J2
454 220 06	Roller	50-65-150mm, with 2 bushings

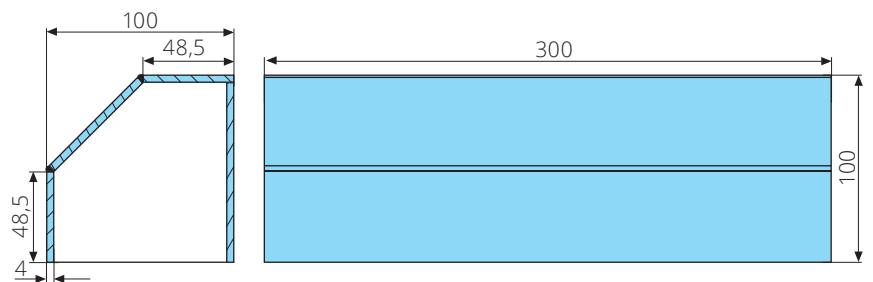


Article no.	Product	Description
454 235	Heavy duty lifting bar complete	75x972mm, roller D=75mm
454 235 01	Shaft	60x476mm, 42CrMo4
454 235 08	Roller	60-75-150mm, with 2 bushings

Container bumper



454 175



Article no.	Product	Description
454 175	Container bumper	100x300x100mm, S235JR

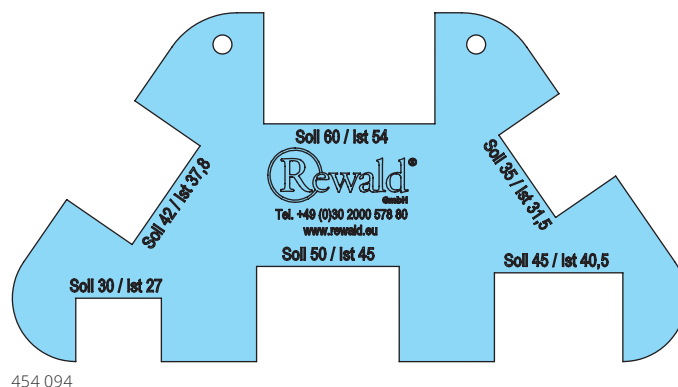
Wear gauge for container inspection according to DIN (wear limit of 10%)

6 gap gauges for checking admissible wear limits of 10% according to DIN 30735, DIN 30720-1/-2 & DIN 30722-1/-2/-3:

- Lifting bars on roll-off containers & mobile compactors
- Tipping bolts on skips
- Lifting lugs on skips

The wear gauge enables a quick & secure check of the above named components within the framework of container inspections. Select the respective gap gauge according to the nominal dimension for the lifting bar, tipping bolt or lifting lug. If it is possible to slide the gauge over the diameter of the tested part, it no longer conforms with safety requirements. Holes for filing away.

Utility model DE 20 2009 002 403.2



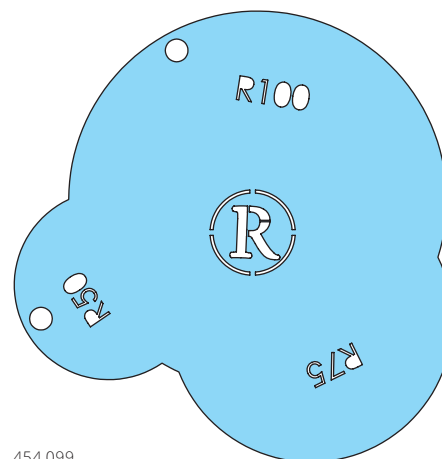
Article no.	Product	Description
454 094	Wear gauge	V4A plate, for checking a wear limit of 10% according to DIN

Radius gauge for checking lifting bars

3 gauges for checking lifting bar radii:

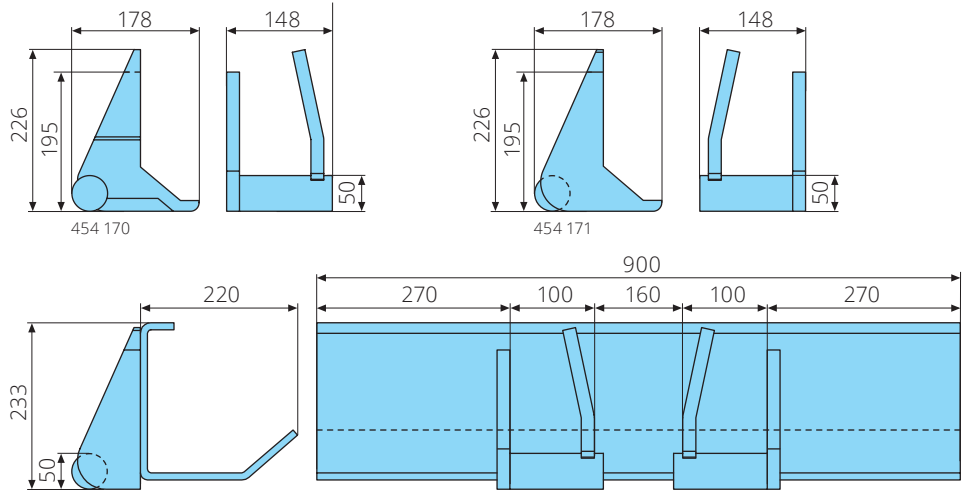
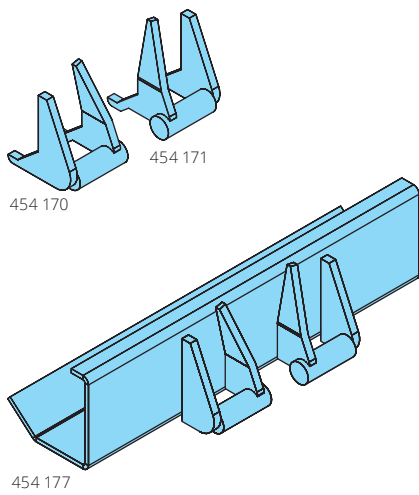
- R50
- R75
- R100

Holes for filing away.



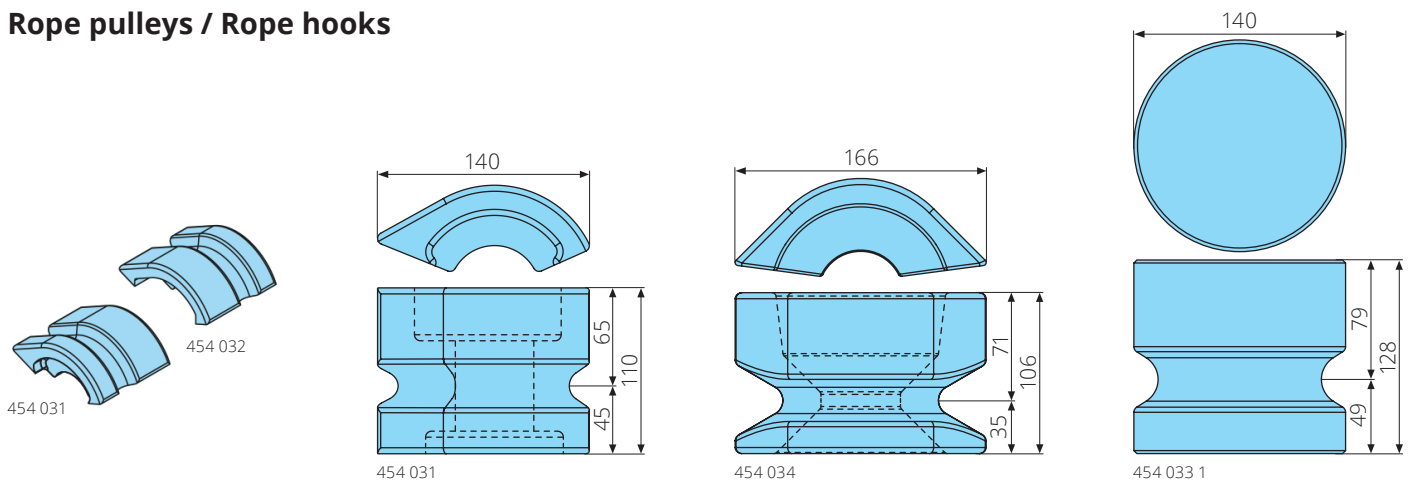
Article no.	Product	Description
454 099	Radius gauge	steel plate, for checking R50, R75 & R100

Chain guides

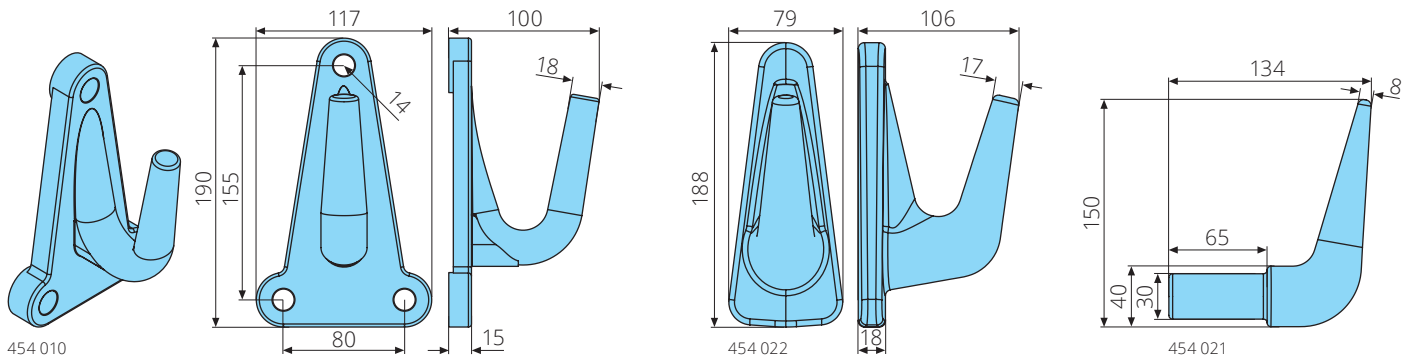


Article no.	Product	Description
454 170	Chain guide	left, S355J2
454 171	Chain guide	right, S355J2
454 177	Chain guide complete	primed, S355J2

Rope pulleys / Rope hooks

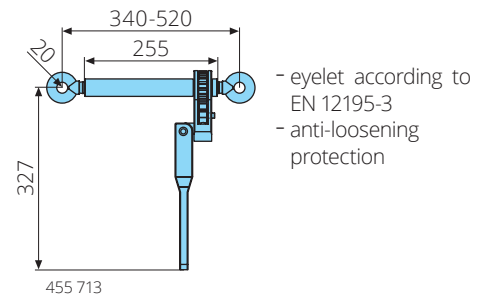
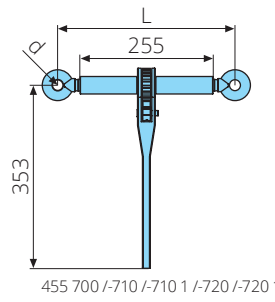
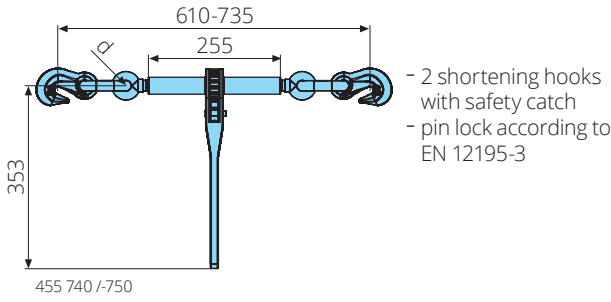


Article no.	Product	Description
454 031	Rope pulley	140x110mm, left
454 032	Rope pulley	140x110mm, right
454 034	Rope pulley	166x106mm, forged, S355J2
454 033 1	Rope pulley	140x128mm



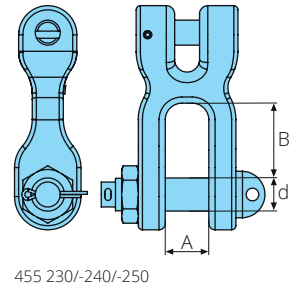
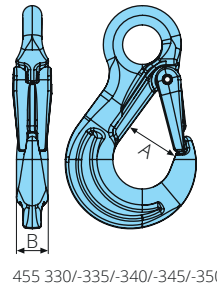
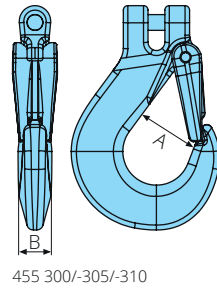
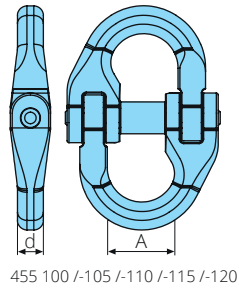
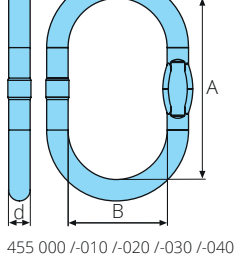
Article no.	Product	Description
454 010	Rope hook	for screw mounting
454 022	Rope hook	for welding, forged
454 021	Rope hook	for welding, forged

Ratchet load binders



Article no.	Product	Description	NG	LC	MBL	L min-max	d
455 740	Ratchet load binder with hooks	painting red	10	6.300daN	12.600daN	610-735mm	20mm
455 750	Ratchet load binder with hooks	painting red	13	10.000daN	20.000daN	610-735mm	26mm
455 700	Ratchet load binder	painting red	8	4.000daN	8.000daN	320-480mm	20mm
455 710	Ratchet load binder	painting red	10	6.300daN	12.600daN	340-520mm	20mm
455 713	Ratchet load binder with foldable handle	painting red	10	6.300daN	12.600daN	340-520mm	20mm
455 710 1	Ratchet load binder	galvanized	10	6.300daN	12.600daN	340-520mm	20mm
455 720	Ratchet load binder	painting red	13	10.000daN	20.000daN	360-530mm	26mm
455 720 1	Ratchet load binder	galvanized	13	10.000daN	20.000daN	360-530mm	26mm

Cargo securing



Article no.	Product	Description	NG	A	B	d	WLL
455 000	Suspension link	GK 8, according to EN-1677-4	6	110mm	60mm	13mm	1,6t
455 010	Suspension link	GK 8, according to EN-1677-4	8	110mm	60mm	16mm	2,12t
455 020	Suspension link	GK 8, according to EN-1677-4	10	135mm	75mm	18mm	3,15t
455 030	Suspension link	GK 8, according to EN-1677-4	13	160mm	90mm	22mm	5,3t
455 040	Suspension link	GK 8, according to EN-1677-4	16	180mm	100mm	26mm	8t

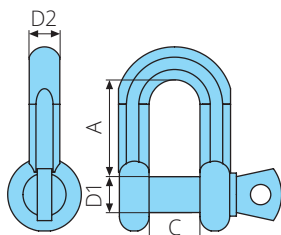
Article no.	Product	Description	NG	A	d	WLL
455 100	Coupling	GK 8	6	18mm	7,6mm	1,12t
455 105	Coupling	GK 8	8	23mm	10mm	2t
455 110	Coupling	GK 8	10	27mm	12,6mm	3,15t
455 115	Coupling	GK 8	13	34mm	16,7mm	5,3t
455 120	Coupling	GK 8	16	39mm	21mm	8t

Article no.	Product	Description	NG	A	B	WLL
455 300	Clevis load hook	GK 8, forged safety latch	6	26mm	15mm	1,12t
455 305	Clevis load hook	GK 8, forged safety latch	8	34mm	19mm	2t
455 310	Clevis load hook	GK 8, forged safety latch	10	40mm	25mm	3,15t

Article no.	Product	Description	NG	A	B	WLL
455 330	Eye load hook	GK 8, forged safety latch	6	25mm	16,5mm	1,12t
455 335	Eye load hook	GK 8, forged safety latch	8	33mm	19mm	2t
455 340	Eye load hook	GK 8, forged safety latch	10	40mm	26mm	3,15t
455 345	Eye load hook	GK 8, forged safety latch	13	51mm	33mm	5,3t
455 350	Eye load hook	GK 8, forged safety latch	16	55mm	40mm	8t

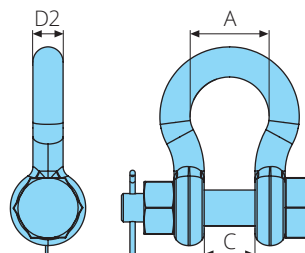
Article no.	Product	Description	NG	A	B	d	WLL
455 230	Clevis shackle	GK 8	10	21mm	36mm	16mm	3,15t
455 240	Clevis shackle	GK 8	13	27mm	49mm	20mm	5,3t
455 250	Clevis shackle	GK 8	16	33mm	56mm	24mm	8t

Cargo securing



455 600 /-605 /-610 /-615

- extra strong
- with screw bolt
- minimum 5-fold safety
- hot-dip galvanised bracket
- bolt painted

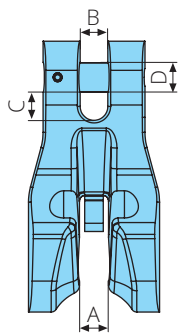


455 630 /-635 /-640 /-645 /-650 /-655

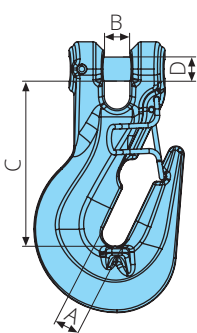
- extra strong
- with nut & split pin
- minimum 5-fold safety
- hot-dip galvanised bracket
- bolt painted

Article no.	Product	NG	WLL	A	C	D1	D2
455 600	Shackle	5/8"	3,25t	51mm	27mm	20mm	16mm
455 605	Shackle	3/4"	4,75t	60mm	32mm	22mm	19mm
455 610	Shackle	7/8"	6,5t	71mm	36mm	27mm	22mm
455 615	Shackle	1"	8,5t	81mm	43mm	28mm	25mm

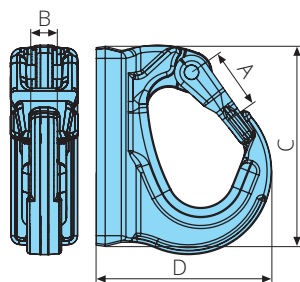
Article no.	Product	NG	WLL	A	C	D1	D2
455 630	Shackle curved	3/8"	1t	26mm	16mm	12mm	10mm
455 635	Shackle curved	5/8"	3,25t	43mm	27mm	20mm	16mm
455 640	Shackle curved	3/4"	4,75t	51mm	32mm	22mm	19mm
455 645	Shackle curved	7/8"	6,5t	58mm	36mm	27mm	22mm
455 650	Shackle curved	1"	8,5t	68mm	43mm	28mm	25mm
455 655	Shackle curved	1 1/8"	9,5t	74mm	46mm	33mm	29mm



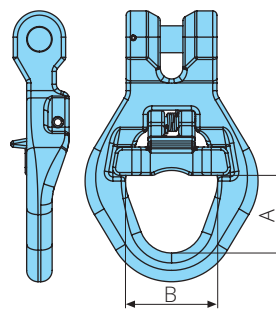
455 405 /-410 /-415



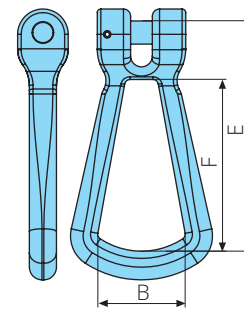
455 450 /-455 /-460 /-465



455 565 /-570 /-575



455 355 /-360



455 535 /-540

Article no.	Product	Description	NG	A/B	C	D	WLL
455 405	Shortening cleat	GK 8, with clevis & safety latch	8	9,5mm	10mm	10mm	2t
455 410	Shortening cleat	GK 8, with clevis & safety latch	10	12mm	14,5mm	13mm	3,15t
455 415	Shortening cleat	GK 8, with clevis & safety latch	13	16mm	18mm	16mm	5,3t

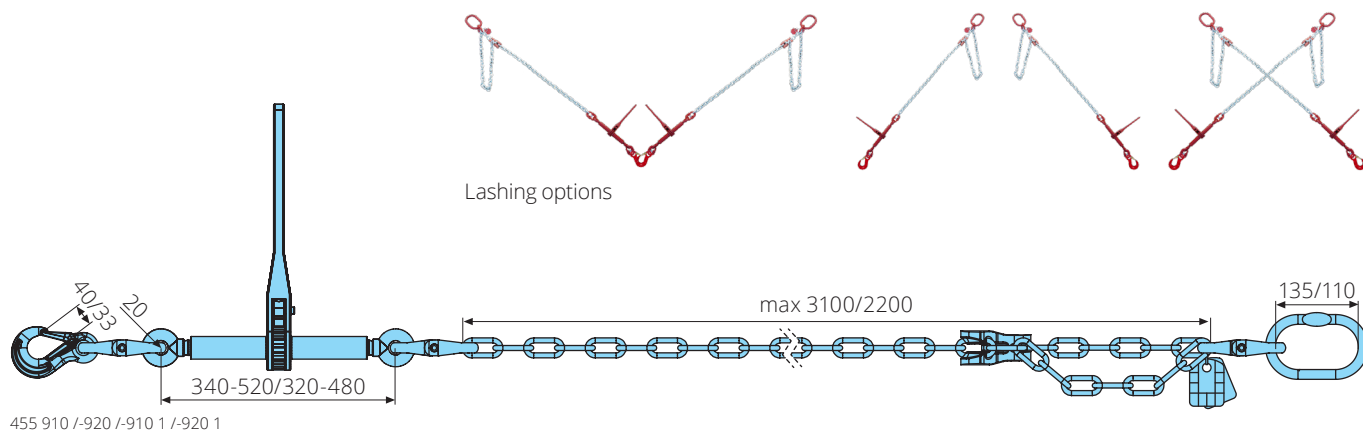
Article no.	Product	Description	NG	A/B	C	D	WLL
455 450	Shortening hook	GK 8, with clevis & safety latch	6	8mm	51mm	7,5mm	1,12t
455 455	Shortening hook	GK 8, with clevis & safety latch	8	10mm	65mm	10mm	2t
455 460	Shortening hook	GK 8, with clevis & safety latch	10	13mm	80mm	13mm	3,15t
455 465	Shortening hook	GK 8, with clevis & safety latch	13	17mm	105mm	16mm	5,3t

Article no.	Product	Description	A	B	C	D	WLL
455 565	Weld-on hook	GK 8	30,5mm	24mm	129mm	106mm	3t
455 570	Weld-on hook	GK 8	34,5mm	30mm	171mm	136mm	5t
455 575	Weld-on hook	GK 8	34,5mm	39mm	177mm	140mm	8t

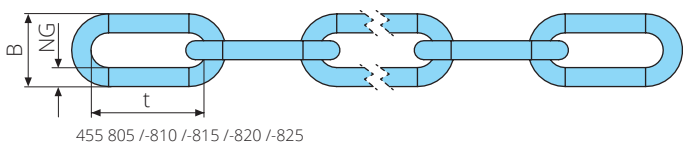
Article no.	Product	Description	NG	A	B	WLL
455 355	Lifting eye	GK 8, with clevis, forged safety latch	13	57mm	65mm	5,3t
455 360	Lifting eye	GK 8, with clevis, forged safety latch	16	57mm	65mm	8t

Article no.	Product	Description	NG	B	E	F	WLL
455 535	Lifting link	GK 8, for mini skip, with clevis	10	49mm	126mm	95mm	3,15t
455 540	Lifting link	GK 8, for mini skip, with clevis	13	60mm	158,5mm	120mm	5,3t

Container lashings / Lashing chains



Article no.	Product	Description
455 910	Container lashing	NG 10, GK 8, lashing capacity 6.300daN, maximum effective length 3100mm/strand
455 920	Container lashing	NG 10, GK 8, lashing capacity 6.300daN, maximum effective length 2200m/strand
455 910 1	Container lashing	NG 8, GK 8, lashing capacity 6.300daN, maximum effective length 3100m/strand
455 920 1	Container lashing	NG 8, GK 8, lashing capacity 6.300daN, maximum effective length 2200m/strand

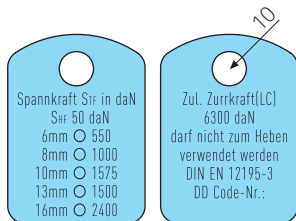


- chains tested, not containing gauges
- corrosion-resistant, silver-coloured surface
- chains for installation in container lashing

Article no.	Product	Description	B	NG	t	WLL
455 805	Lashing chain	EN 818-2	21,6	6	18	1,12t
455 810	Lashing chain	EN 818-2	28,8	8	24	2t
455 815	Lashing chain	EN 818-2	36	10	30	3,15t
455 820	Lashing chain	EN 818-2	46,8	13	39	5,3t
455 825	Lashing chain	EN 818-2	57,6	16	48	8t



455 830



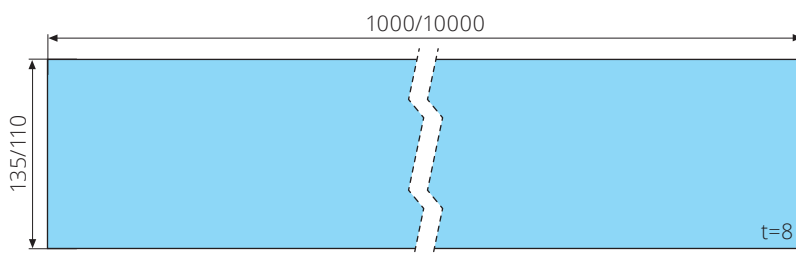
455 831

Article no.	Product	Description
455 830	Inspection badge	for lashing chain GK 8
455 831	Inspection badge	for lashing chain GK 8, lashing force

Anti-slip mats

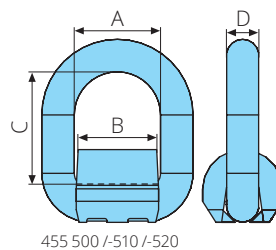
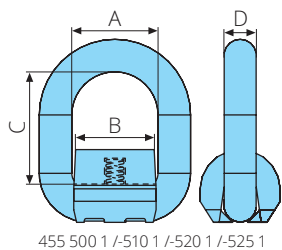


455 981 /-982

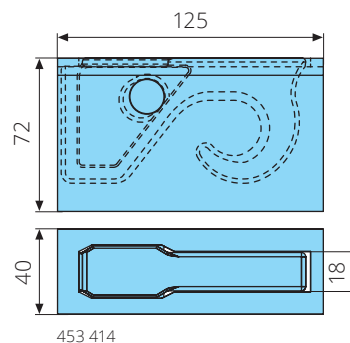
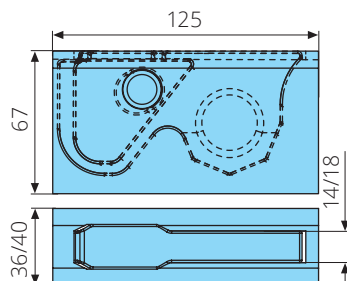
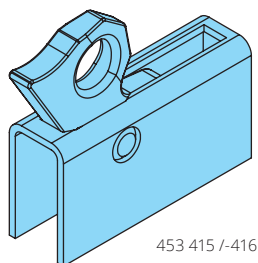
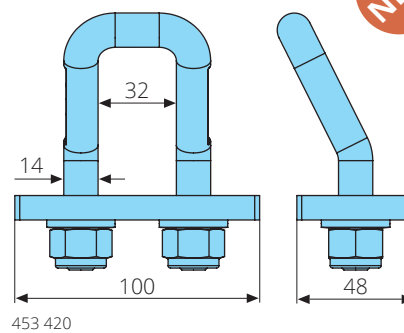
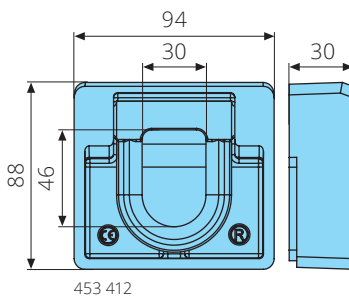
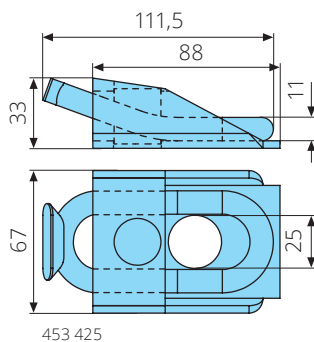
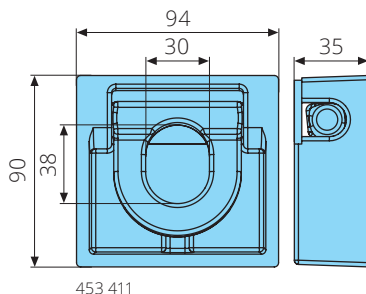
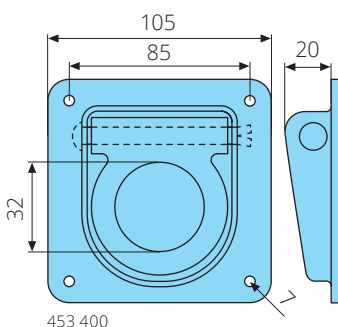


Article no.	Product	Description
455 981	Anti-slip mat	125x1000x8mm, slip-friction coefficient $\mu=0,6$
455 982	Anti-slip mat	125x10000x8mm, slip-friction coefficient $\mu=0,6$

Lifting points / Load rings / Lashing eyes

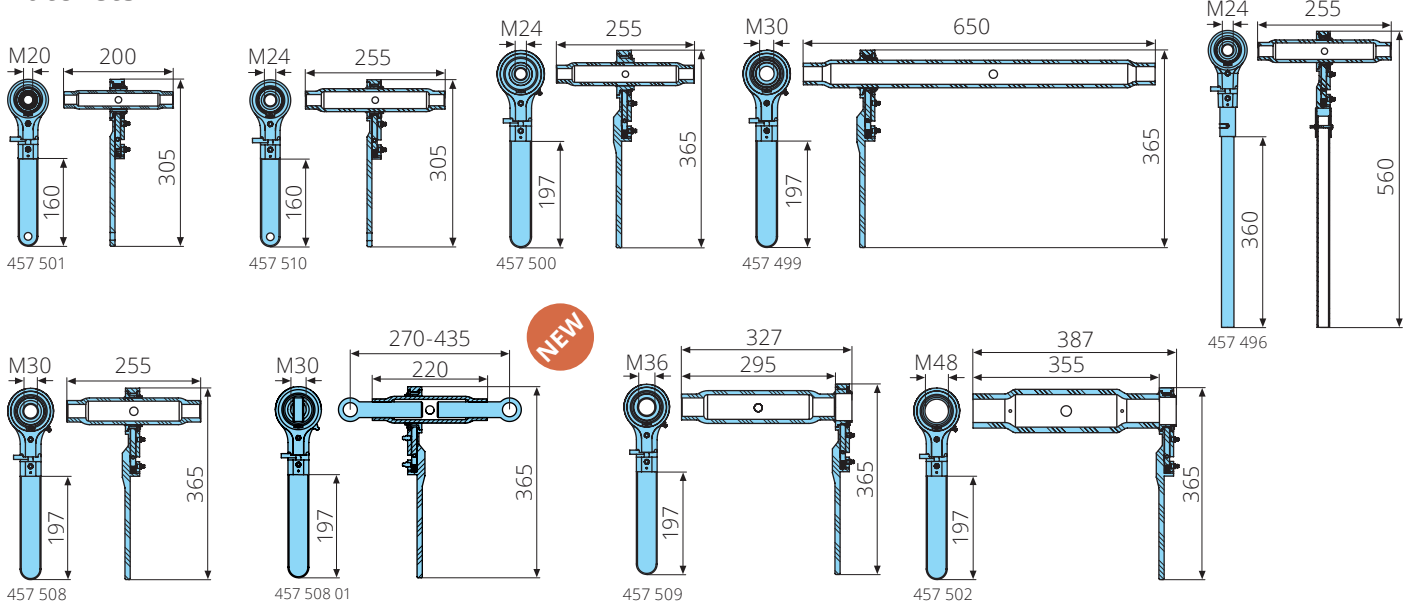


Article no.	Product	Description	A	B	C	D	WLL
455 500 1	Lifting point	with spring, for welding	45	43	60	17	3,15t
455 500	Lifting point	for welding	45	43	60	17	3,15t
455 510 1	Lifting point	with spring, for welding	55	49	76	22	5,3t
455 510	Lifting point	for welding	55	49	76	22	5,3t
455 520 1	Lifting point	with spring, for welding	69	66	88	26,5	8t
455 520	Lifting point	for welding	69	66	88	26,5	8t
455 525 1	Lifting point	with spring, for welding	97	90	120	34	15t

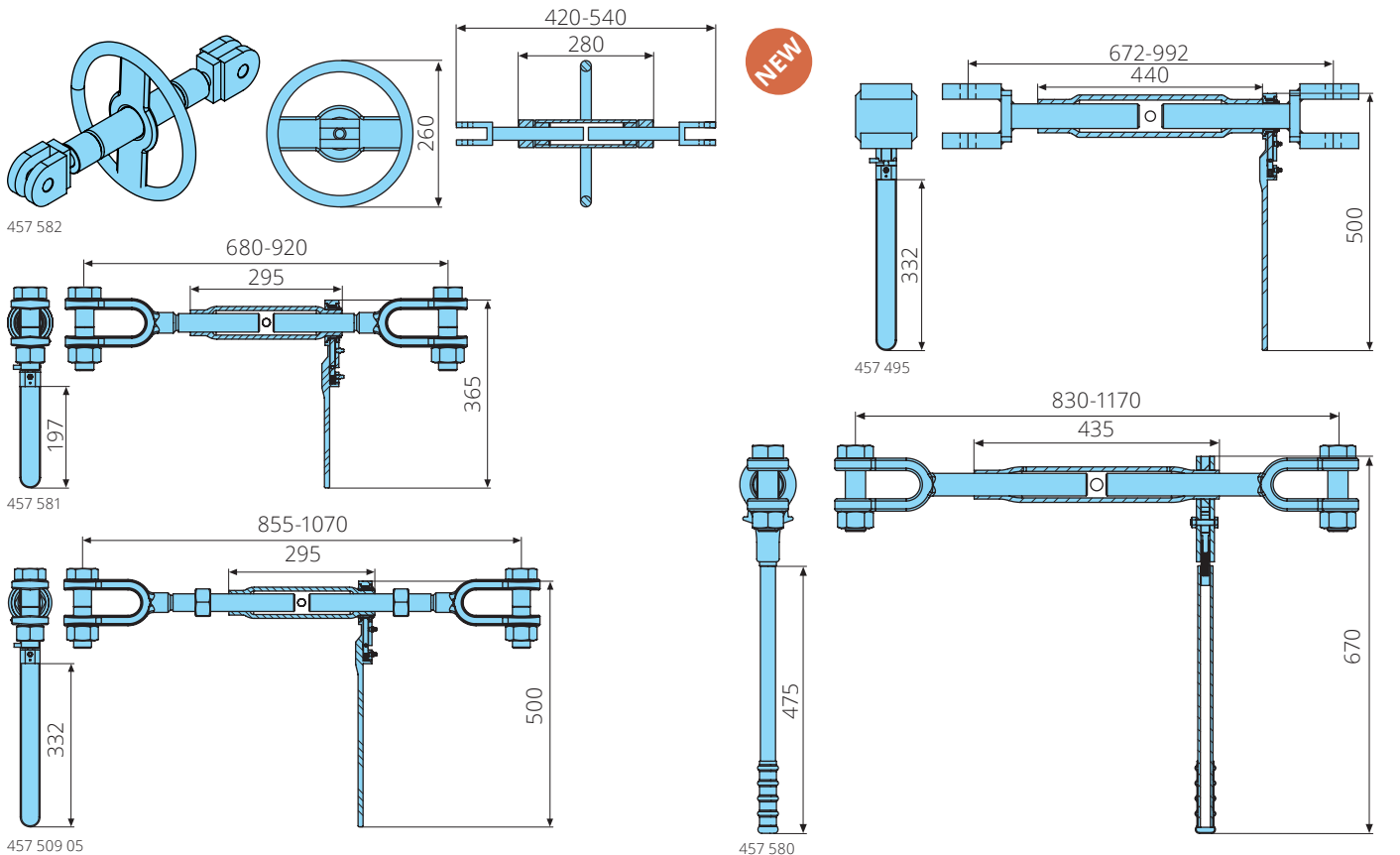


Article no.	Product	Description	LC
453 400	Lashing eye	105x105x20mm, galvanized, for wooden floors, with spring & drain hole	LC 1000daN (1t)
453 412	Lashing eye	88x94x30mm, raw, with drain hole	LC 2500daN (2,5t)
453 425	Lashing eye	33x110x67mm, forged	LC 2500daN (2,5t)
453 411	Lashing eye	90x94x35mm, raw, with drain hole, DIN EN 12640	LC 6000daN (6t)
453 420	Lashing eye	100x100x50mm, forged, galvanized	LC 3000daN (3t)
453 415	Lashing hook	67x125x36mm, forged, foldable	LC 4000daN (4t)
453 416	Lashing hook	67x125x40mm, forged, foldable	LC 6000daN (6t)
453 414	Lashing hook	72x125x40mm, forged, foldable	LC 3000daN (3t)

Ratchets

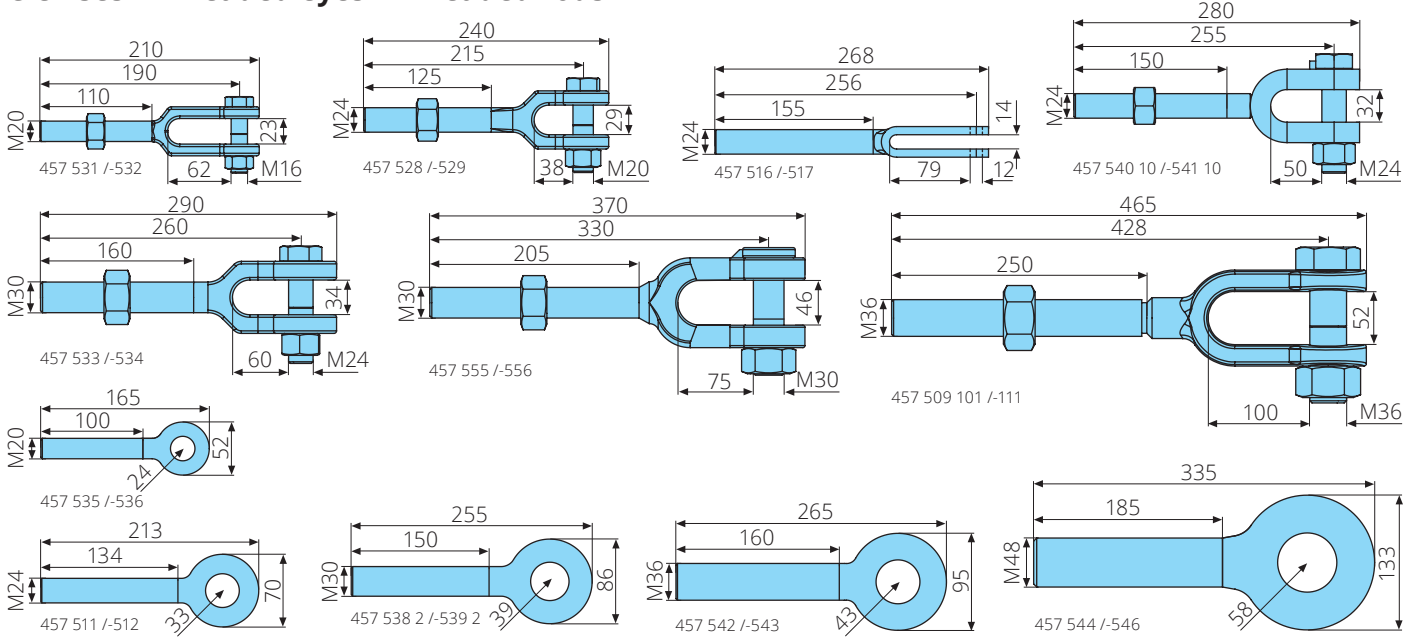


Article no.	Product	Description
457 501	Ratchet	M20, turnbuckle L=200mm, handle L=160mm, for compactors, type LOTUS, galvanized
457 510	Ratchet	M24, turnbuckle L=255mm, handle L=160mm, for compactors, galvanized
457 500	Ratchet	M24x255x365mm, handle L=197mm, for compactors, galvanized
457 496	Ratchet	M24, turnbuckle L=255mm, handle L=360mm, for swap containers, type HÜFFERMANN, galvanized
457 508	Ratchet	M30, turnbuckle L=255mm, handle L=197mm, for compactors, galvanized
457 508 01	Ratchet	M30x220x365mm, handle L=197mm, for compactors, with threaded eyes, galvanized
457 499	Ratchet	M30, turnbuckle L=650mm, handle L=197mm, for stationary compactors, galvanized
457 509	Ratchet	M36, turnbuckle L=295mm, handle L=197mm, for compactors, galvanized
457 502	Ratchet	M48, turnbuckle L=355mm, handle L=197mm, for stationary compactors, galvanized

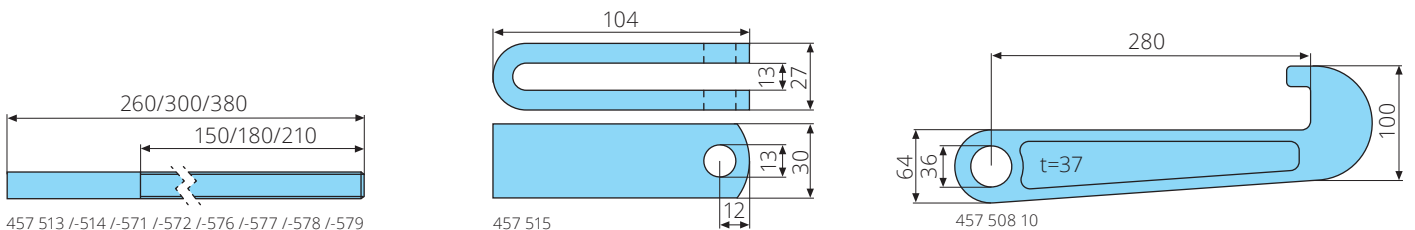


Article no.	Product	Description
457 582	Ratchet with clevises & hand wheel	TR24x5, turnbuckle L=280mm, hand wheel D=260mm, with clevises with trapezoidal thread, painted black
457 509 05	Ratchet with clevises	M36, turnbuckle L=295mm, handle L=332mm, with clevises 457 509 101 /-509 111, galvanized
457 580	Ratchet with clevises	M40, turnbuckle L=435mm, handle L=465mm, with clevises, galvanized
457 581	Ratchet with clevises	M36, turnbuckle L=295mm, handle L=197mm, with clevises, galvanized
457 495	Ratchet with clevises	TR48, turnbuckle L=440mm, handle L=332mm, with clevises with trapezoidal thread, galvanized

Clevises / Threaded eyes / Threaded rods

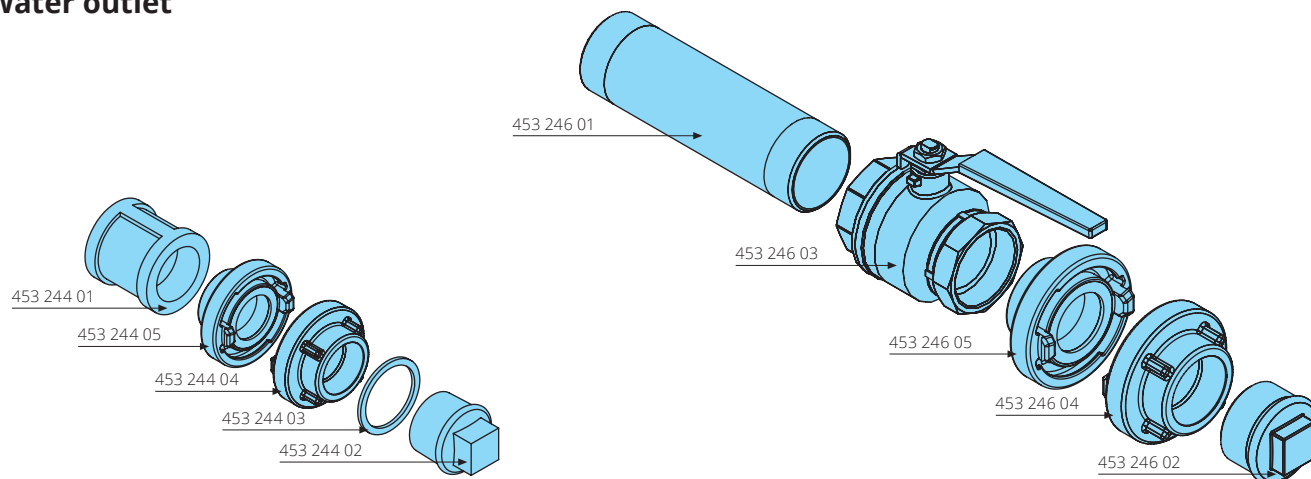


Article no.	Product	Description
457 531	Clevis	M20x210mm, left-hand thread, galvanized, with bolt & nuts
457 532	Clevis	M20x210mm, right-hand thread, galvanized, with bolt & nuts
457 528	Clevis	M24x240mm, left-hand thread, galvanized, forged, with bolt & nuts
457 529	Clevis	M24x240mm, right-hand thread, galvanized, forged, with bolt & nuts
457 516	Clevis	M24x268mm, left-hand thread, galvanized
457 517	Clevis	M24x268mm, right-hand thread, galvanized
457 540 10	Clevis	M24x280mm, left-hand thread, galvanized, welded, with locking lug, bolt & nut
457 541 10	Clevis	M24x280mm, right-hand thread, galvanized, welded, with locking lug, bolt & nuts
457 533	Clevis	M30x290mm, left-hand thread, galvanized, with bolt & nuts
457 534	Clevis	M30x290mm, right-hand thread, galvanized, with bolt & nuts
457 555	Clevis	M30x370mm, left-hand thread, galvanized, forged, with locking lug, bolt & nuts
457 556	Clevis	M30x370mm, right-hand thread, galvanized, forged, with locking lug, bolt & nuts
457 509 101	Clevis	M36x465mm, left-hand thread, galvanized, forged, with bolt & nuts
457 509 111	Clevis	M36x465mm, right-hand thread, galvanized, forged, with bolt & nuts
457 535	Threaded eye	M20x165mm, left-hand thread, galvanized, d=24mm
457 536	Threaded eye	M20x165mm, right-hand thread, galvanized, d=24mm
457 511	Threaded eye	M24x213mm, left-hand thread, galvanized, d=33mm
457 512	Threaded eye	M24x213mm, right-hand thread, galvanized, d=33mm
457 538 2	Threaded eye	M30x255mm, left-hand thread, galvanized, d=39mm
457 539 2	Threaded eye	M30x255mm, right-hand thread, galvanized, d=39mm
457 542	Threaded eye	M36x265mm, left-hand thread, galvanized, d=43mm
457 543	Threaded eye	M36x265mm, right-hand thread, galvanized, d=43mm
457 544	Threaded eye	M48x335mm, left-hand thread, galvanized, d=58mm
457 545	Threaded eye	M48x335mm, right-hand thread, galvanized, d=58mm



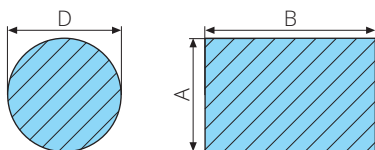
Article no.	Product	Description
457 513	Threaded rod	M24x260mm, left-hand thread, DIN 34828
457 514	Threaded rod	M24x260mm, right-hand thread, DIN 34828
457 571	Threaded rod	M30x260mm, left-hand thread, DIN 34828
457 572	Threaded rod	M30x260mm, right-hand thread, DIN 34828
457 576	Threaded rod	M36x260mm, left-hand thread, DIN 34828
457 577	Threaded rod	M36x260mm, right-hand thread, DIN 34828
457 578	Threaded rod	M48x260mm, left-hand thread, DIN 34828
457 579	Threaded rod	M48x260mm, right-hand thread, DIN 34828
457 515	Clevis head	104x30mm
457 508 10	Hook	280x37mm, galvanized

Water outlet



Article no.	Product	Description
453 244 01	Coupling sleeve	1" , raw
453 244 05	Storz coupling	1" , outer thread
453 244 04	Storz coupling	1" , inner thread
453 244 03	Sealing ring	1"
453 244 02	Plug	1" , galvanized
453 246 01	Threaded pipe	2" , L=200mm, galvanized
453 246 03	Ball valve	2" , brass thread, SW65
453 246 05	Storz coupling	2" , outer thread
453 246 04	Storz coupling	2" , inner thread
453 246 02	Plug	2" , galvanized

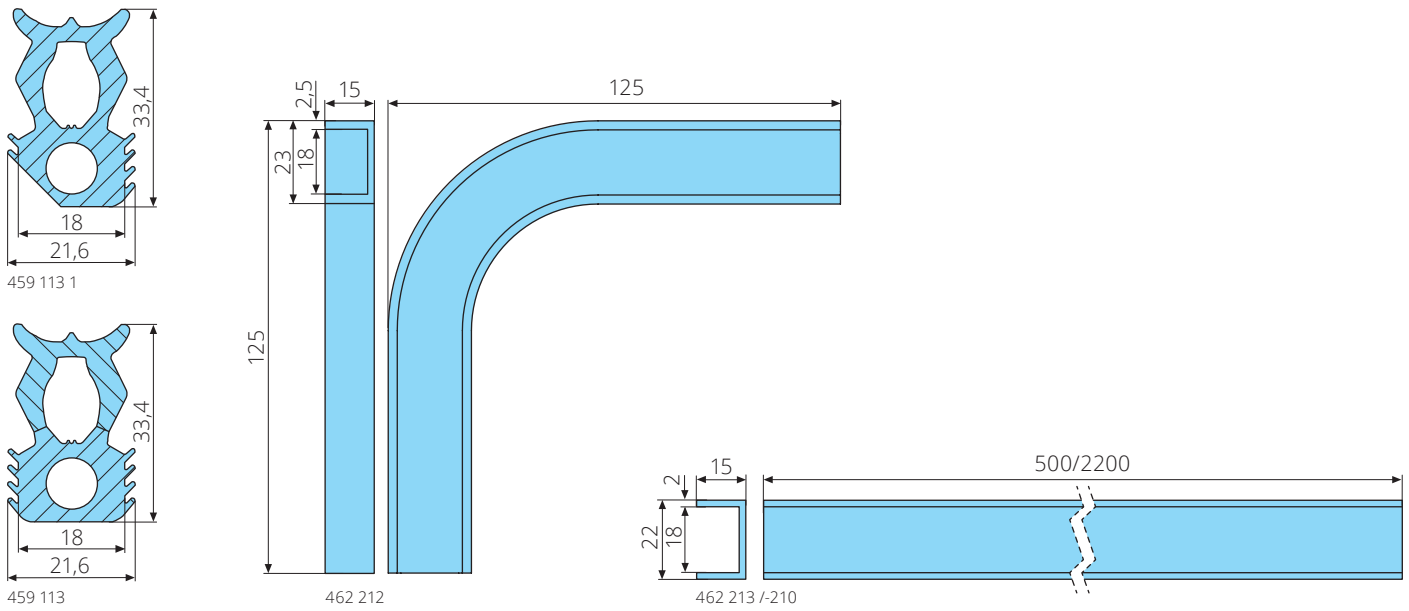
Moosgummidichtungen



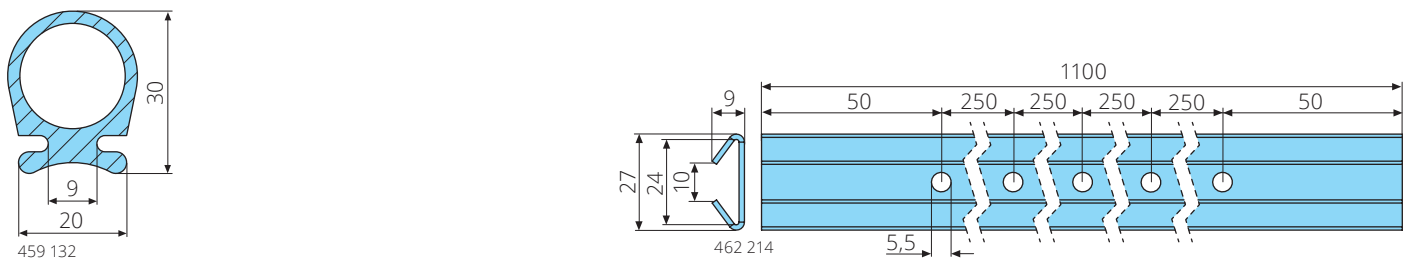
Article no.	Product	Description
459 119	Foam rubber seal	D=20mm, round, 25m bundle
459 120	Foam rubber seal	D=30mm, round, 20m bundle
459 126	Foam rubber seal	10x60mm, square, 25m bundle
459 114	Foam rubber seal	12x20mm, square, 50m bundle
459 128 01	Foam rubber seal	15x15mm, square, 25m bundle
459 102	Foam rubber seal	15x20mm, square, 25m bundle
459 115	Foam rubber seal	15x30mm, square, 25m bundle
459 104	Foam rubber seal	15x40mm, square, 25m bundle
459 104 1	Foam rubber seal	15x50mm, square, 25m bundle
459 101	Foam rubber seal	20x20mm, square, 25m bundle
459 127	Foam rubber seal	20x25mm, square, 25m bundle
459 112	Foam rubber seal	20x30mm, square, 25m bundle
459 112 1	Foam rubber seal	20x35mm, square, 25m bundle
459 106	Foam rubber seal	20x40mm, square, 25m bundle
459 117	Foam rubber seal	20x45mm, square, 25m bundle
459 103	Foam rubber seal	20x50mm, square, 25m bundle
459 107	Foam rubber seal	25x25mm, square, 25m bundle
459 121	Foam rubber seal	25x30mm, square, 25m bundle
459 125	Foam rubber seal	25x40mm, square, 25m bundle
459 111	Foam rubber seal	25x50mm, square, 15m bundle
459 108	Foam rubber seal	30x30mm, square, 20m bundle
459 118	Foam rubber seal	30x35mm, square, 15m bundle
459 110 1	Foam rubber seal	30x40mm, square, 15m bundle
459 110	Foam rubber seal	30x45mm, square, 15m bundle
459 116	Foam rubber seal	40x40mm, square, 10m bundle

Article no.	Product	Description
459 143	Adhesive kit for EPDM	glue & primer, 10g, to be applied in thin layers on both ends

Rubber seals / Guide profiles

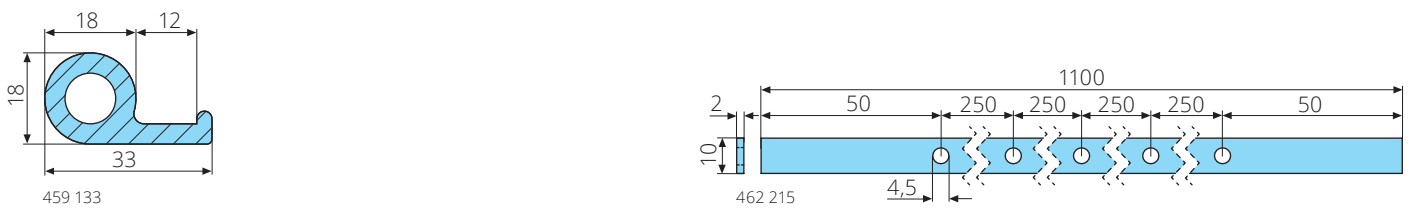


Article no.	Product	Description
459 113 1	Solid rubber seal	21,6x33,4mm, 20m bundle
459 113	Seal for compactors	21,6x33,4mm, 2 types of rubber, 20m bundle
Article no.	Product	Description
462 212	U-profile	125x23x15x2,5mm, 90° elbow, S355J2
462 213	U-profile	500x22x15x2mm, S355J2
462 210	U-profile	2200x22x15x2mm, S355J2



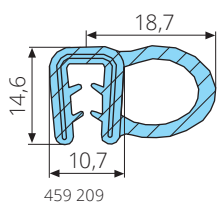
Article no.	Product	Description
459 132	Seal for container doors	20x30mm, 25m bundle

Article no.	Product	Description
462 214	Guide profile	1100x27x9mm, steel, galvanized



Article no.	Product	Description
459 133	Seal for container doors	18x33mm, 25m bundle

Article no.	Product	Description
462 215	Anchoring plate	1100x10x2mm, galvanized



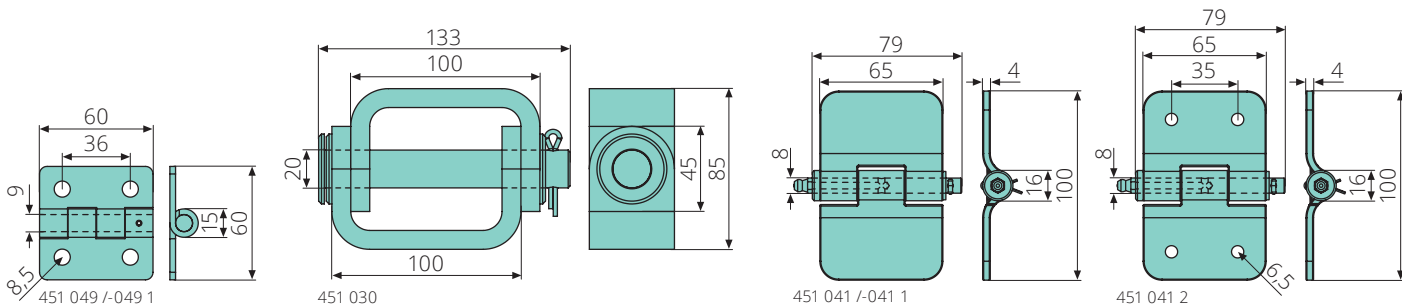
Article no.	Product	Description
459 209	Composite sealing profile	24x14,6mm, self-clamping, 25m bundle, deformable max. 10mm



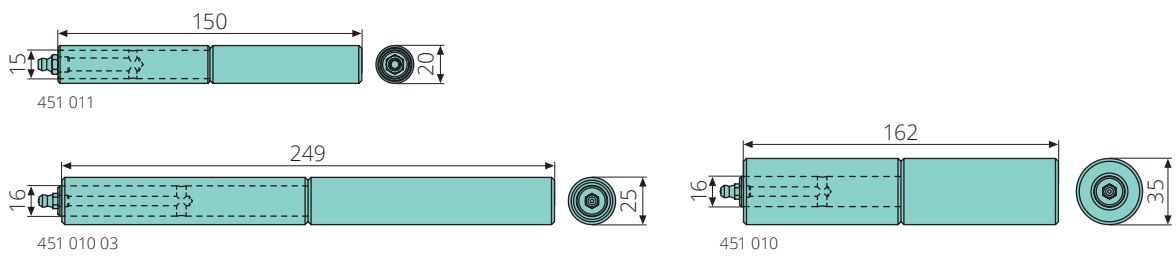


Components for Skips & Waste Bins

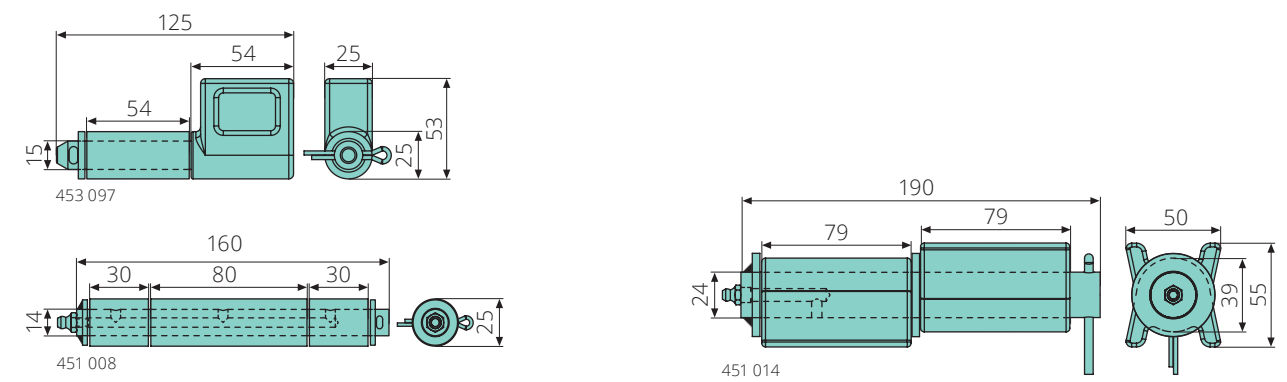
Hinges for flaps & lids



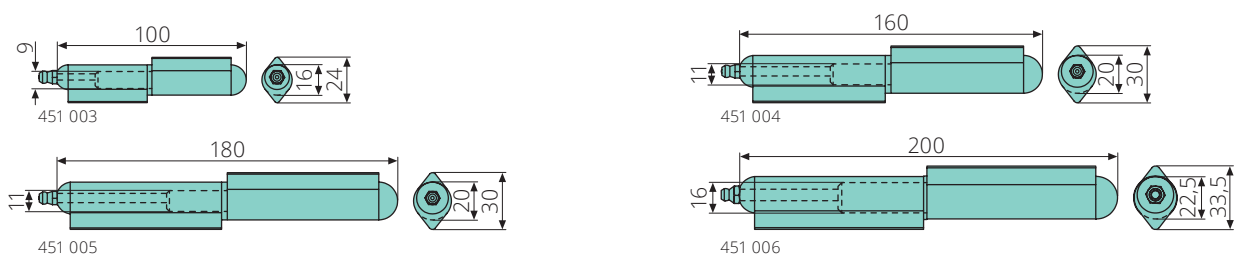
Article no.	Product	Description
451 049	Hinge	15x60x60mm, raw, with bras pin, for bolted mounting
451 049 1	Hinge	15x60x60mm, galvanized, with bras pin, for bolted mounting
451 030	Hinge	20x133x85mm, primed
451 041	Hinge	16x79x100mm, galvanized, lubrication
451 041 1	Hinge	16x79x100mm, raw, lubrication
451 041 2	Hinge	16x79x100mm, galvanized, lubrication, with bores



Article no.	Product	Description
451 011	Hinge	20x150mm, for container lids, lubrication
451 010 03	Hinge	25x249mm, for container lids, lubrication
451 010	Hinge	35x162mm, for container lids, lubrication

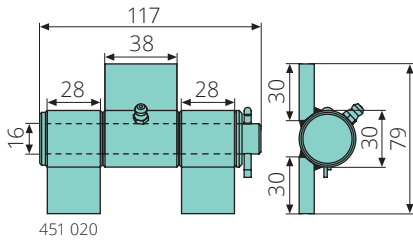


Article no.	Product	Description
453 097	Tailgate lock hinge	25x125x53mm, forged, raw
451 008	Hinge	25x160x25mm, for container lids, lubrication
451 014	Hinge	39x190x55mm, for container lids, lubrication

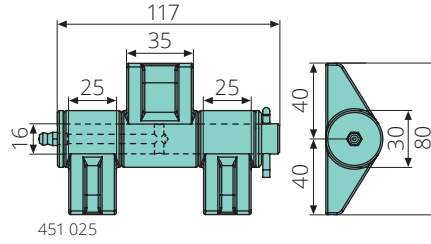


Article no.	Product	Description
451 003	Barrel hinge	16x100x24mm, with brass washer
451 004	Barrel hinge	20x160x30mm, with brass washer
451 005	Barrel hinge	20x180x30mm, with brass washer
451 006	Barrel hinge	22,5x200x33,5mm, with brass washer

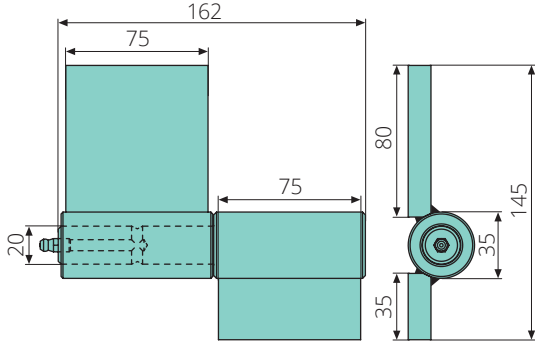
Hinges for flaps & lids



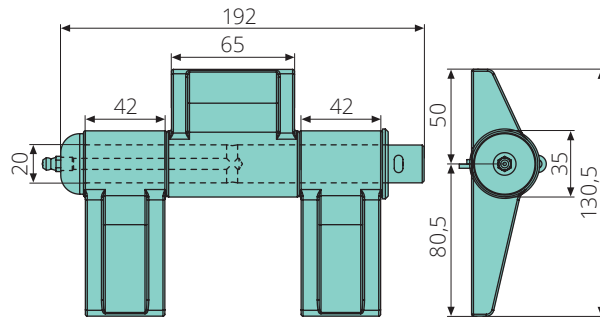
451 020



451 025



451 040

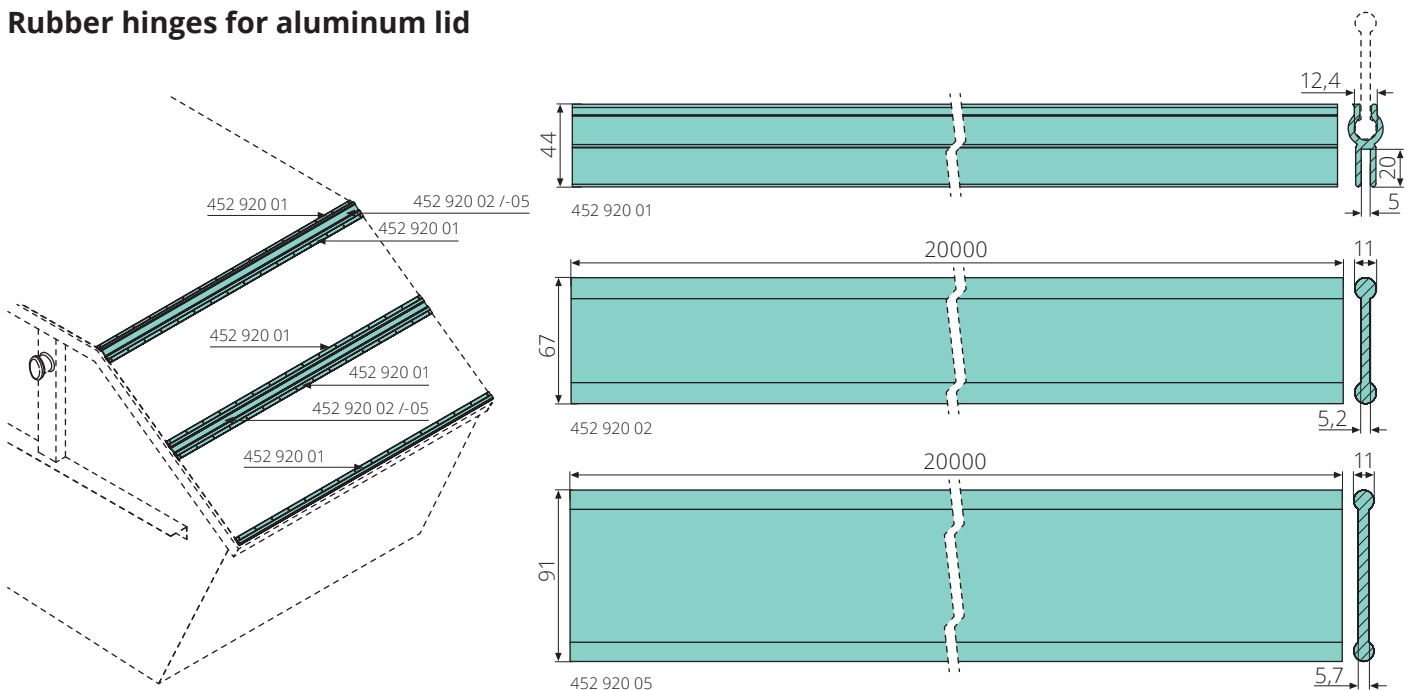


451 019

Article no.	Product	Description
451 020	Hinge	30x115x79mm, for skip lids, bushing lubrication
451 025	Hinge	30x115x80mm, for skip lids, lubrication, cast steel
451 040	Hinge	35x162x145mm, for skip lids, lubrication
451 019	Hinge	35x192x130,5mm, for skip lids, lubrication, forged

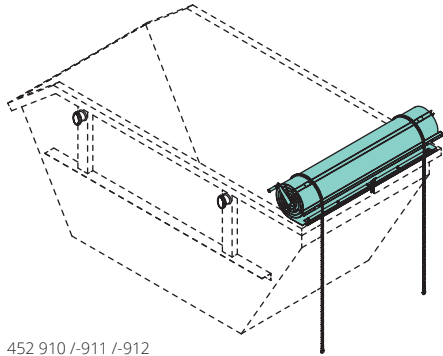
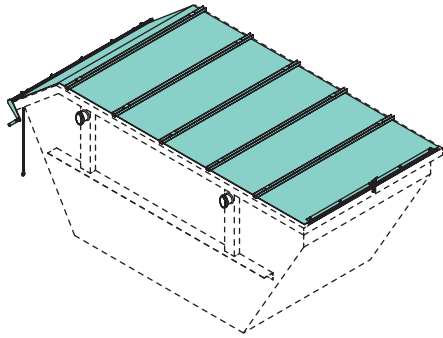
Hinges for flaps & lids / Rubber hinges for aluminum lid

Rubber hinges for aluminum lid

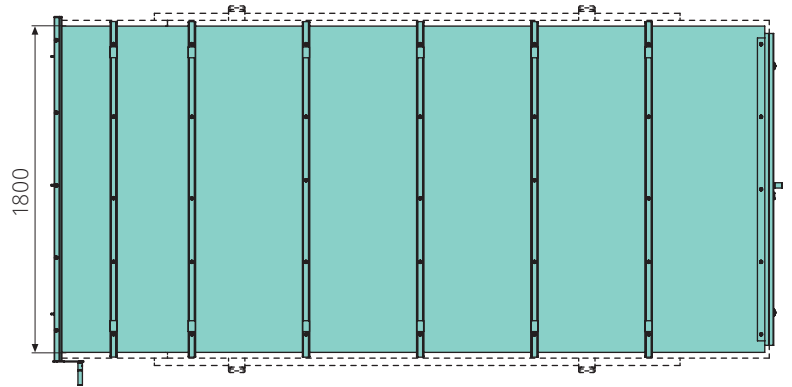
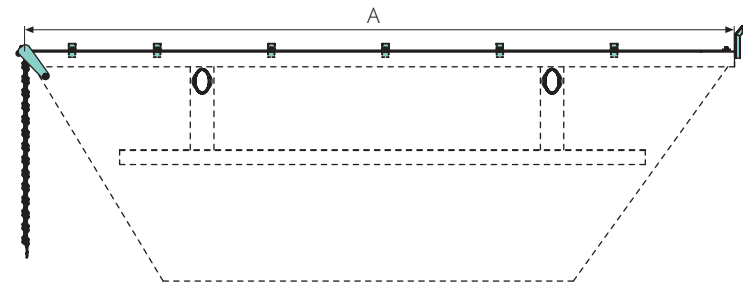
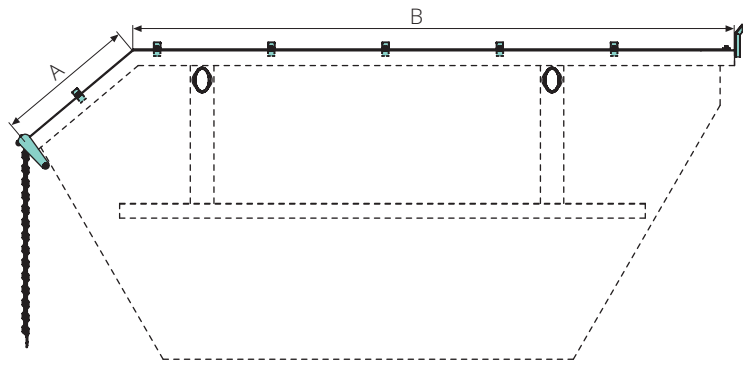


Article no.	Product	Description
452 920 01	Guide profile for rubber hinge	44x19mm, aluminium, for rubber hinge 452 920 03 /-02 /-05, length according to specification
452 920 02	Rubber hinge	67x11mm, EPDM, 20m bundle
452 920 05	Rubber hinge	91x11mm, EPDM, 20m bundle

Rubber lid for skips



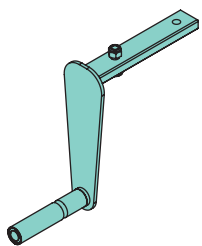
452 910 /-911 /-912



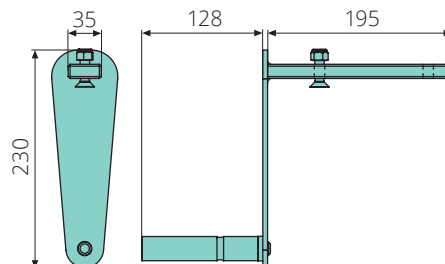
Article no.	Product	Description
452 910	Rubber lid for 5m³ container	width 1800mm, length up to 3300mm, with crank, made to order
452 911	Rubber lid for 7m³ container	width 1800mm, length up to 3800mm, with crank, made to order
452 912	Rubber lid for 10m³ container	width 1800mm, length up to 4200mm, with crank, made to order

ORDER FORM				
Article no.	A in mm	B in mm (if asymmetrical)	additional crank (advised for 10m³)	Amount

Crank for rubber lid

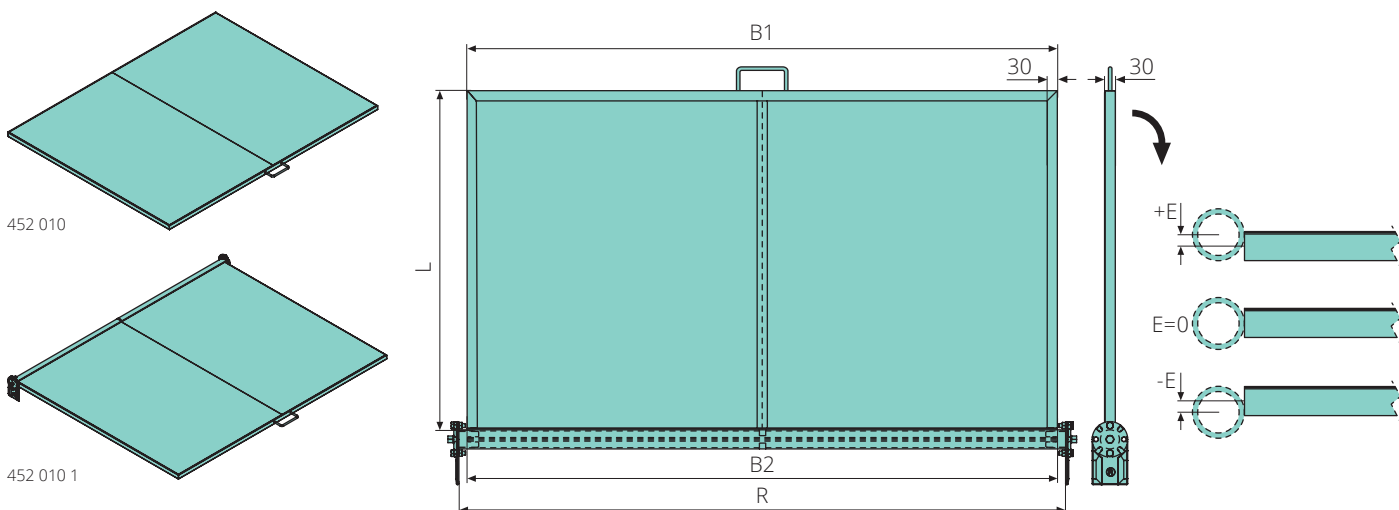


452 910 15



Article no.	Product	Description
452 910 15	Crank	with foldable handle, galvanized, recommended for 10m³ (für Gummideckel 452 912)

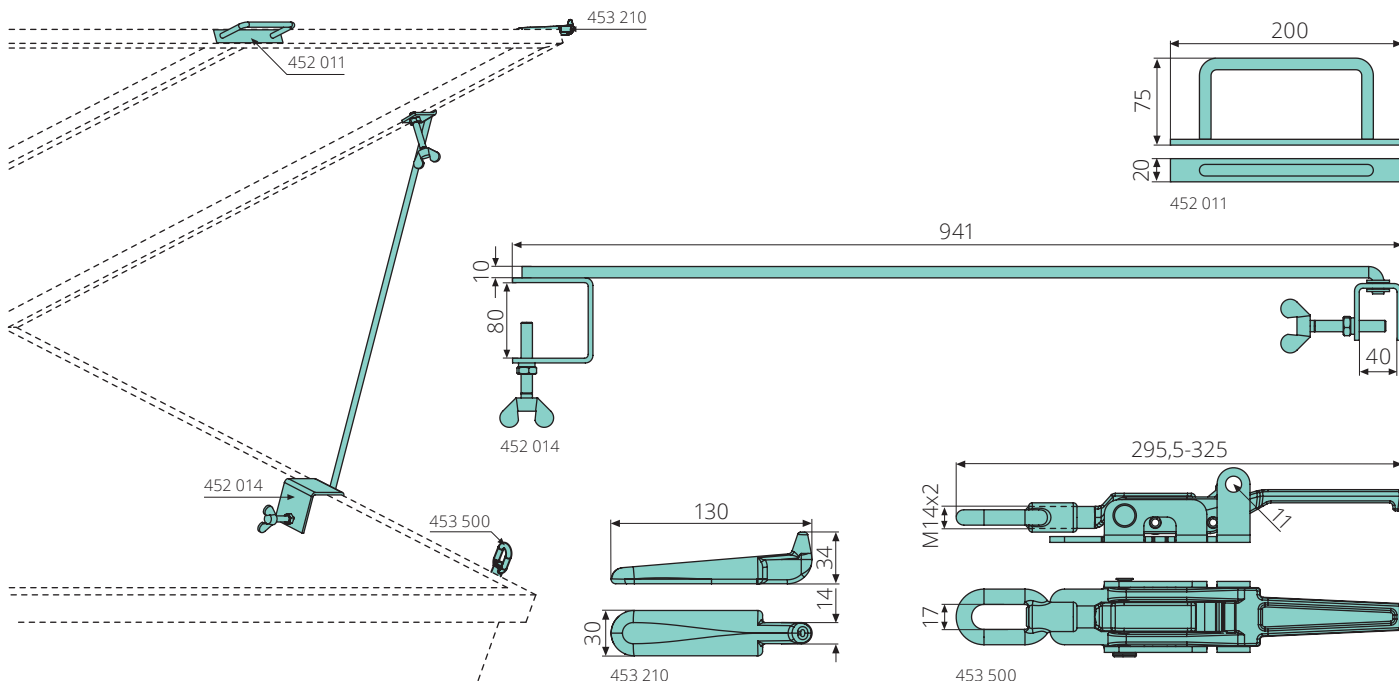
Steel lid for skips



Article no.	Product	Description
452 010	Steel lid	with handle, delivered with transport sheet, made to order
452 010 1	Steel lid with hinge bar	with handle, with external pin, plates & central stop & 3x spring bar, made to order

ORDER FORM						
Article no.	L in mm	B1 in mm	B2 in mm (if trapezoidal)	R in mm (with hinge bar)	E in mm (with hinge bar)	Amount

Accessories for steel lids

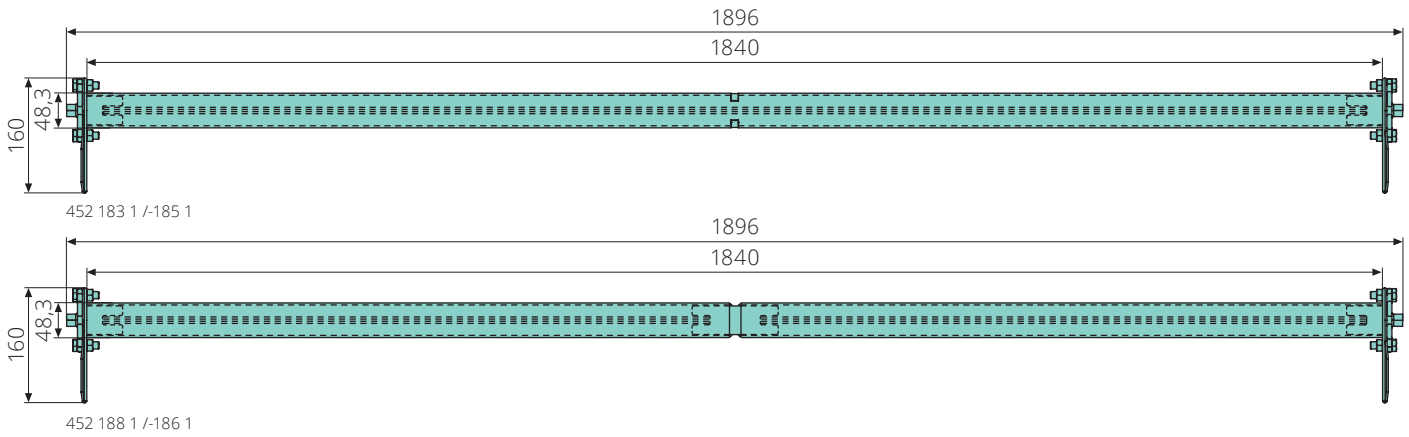


Article no.	Product	Description
452 014	Lid detent	L=941mm, with wing nuts M12, for steel lid 452 010 /-010 1, galvanized
452 011	Handle	200x75x20mm, raw, for welding

Article no.	Product	Description
453 500	Over centre lock	M14x2mm, stroke 25mm, with automatic safety latch, with padlock fitting

Article no.	Product	Description
453 210	Counterhold for over centre locks	D=14mm, forged

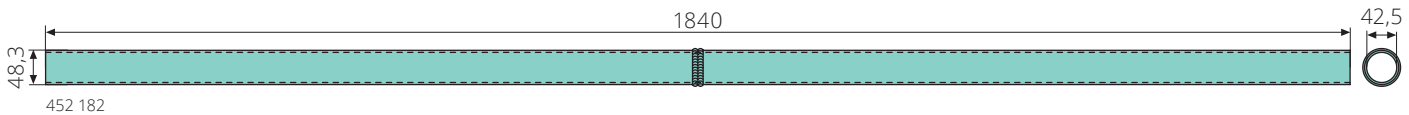
Lid hinge bars with spring bars



Article no.	Product	Description
452 183 1	Lid hinge bar	48,3x1840mm, with external pin, plates & central stop, 3x spring bar 1760x30x3mm, preassembled
452 185 1	Lid hinge bar	48,3x1840mm, with external pin, plates & central stop, 3x spring bar 1790x40x3mm, preassembled
452 188 1	Lid hinge bar	48,3x1840mm, with external pin, plates & central stop, 6x spring bar 860x30x3mm, preassembled
452 186 1	Lid hinge bar	48,3x1840mm, with external pin, plates & central stop, 6x spring bar 860x40x3mm, preassembled

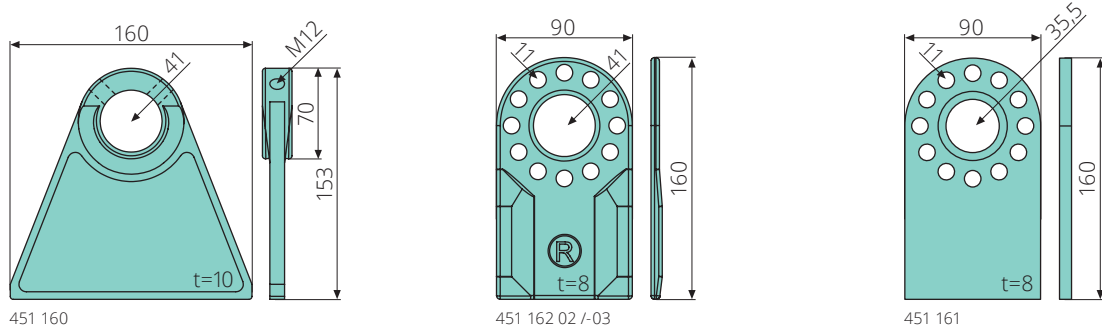
Article no.	Product	Description
451 163	Spring bar	1800x25x5mm
451 171	Spring bar	875x30x3mm
451 169	Spring bar	1790x30x3mm
451 165	Spring bar	1800x30x5mm
451 172	Spring bar	875x35x3mm
451 173	Spring bar	1760x35x3mm
451 170 01	Spring bar	859x40x3mm, for assembly kit 452 292
451 170	Spring bar	875x40x3mm
451 166	Spring bar	1790x40x3mm
451 167	Spring bar	1800x40x5mm

Lid hinge bar for lids with stop



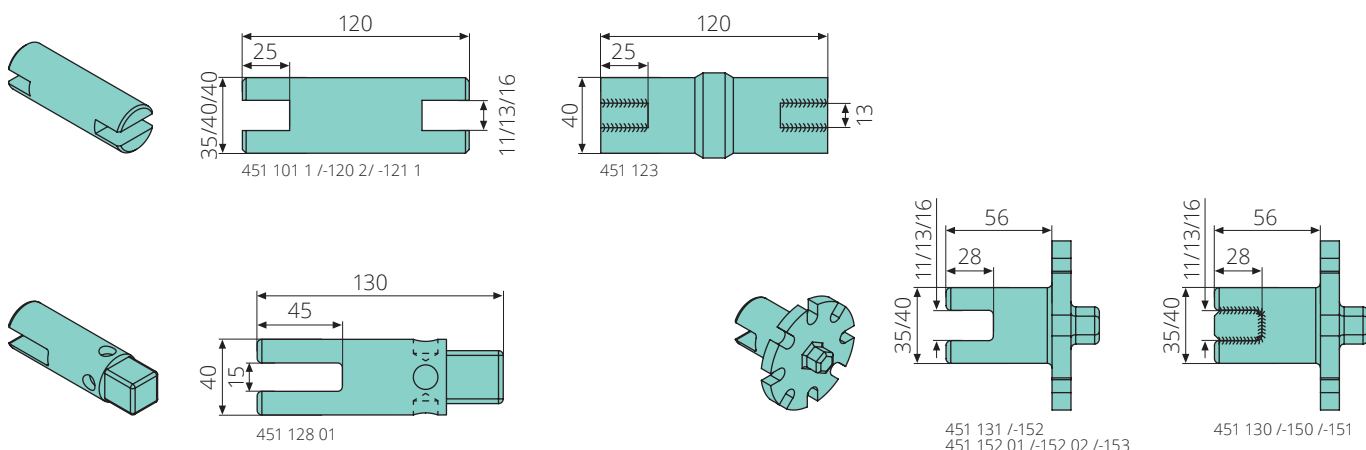
Article no.	Product	Description
452 182	Lid hinge bar	48,3x1840mm, for lids with stop

Anchoring plate



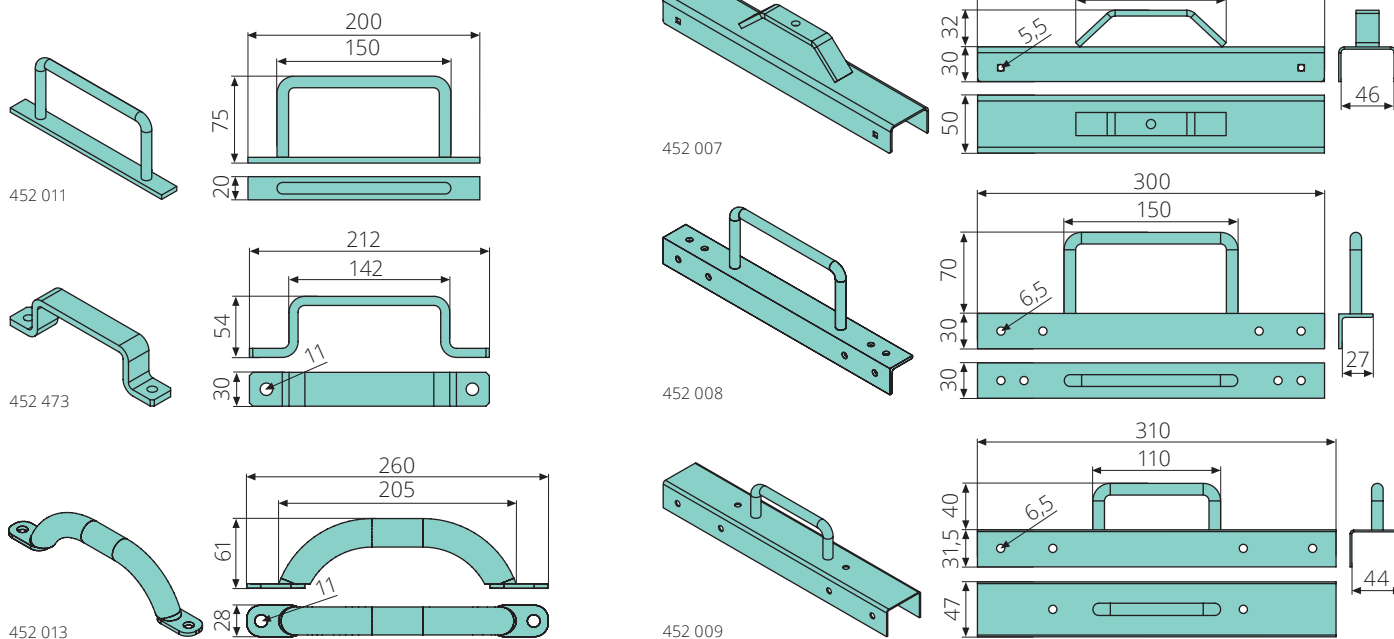
Article no.	Product	Description
451 160	Support for lid hinge bar	d=41mm, M12, cast steel
451 162 02	Anchoring plate	d=41mm, 12 bores d=11mm, forged, galvanized
451 162 03	Anchoring plate	d=41mm, 12 bores d=11mm, forged
451 161	Anchoring plate	d=35,5mm, 12 bores d=11mm

Connector pins / External pins

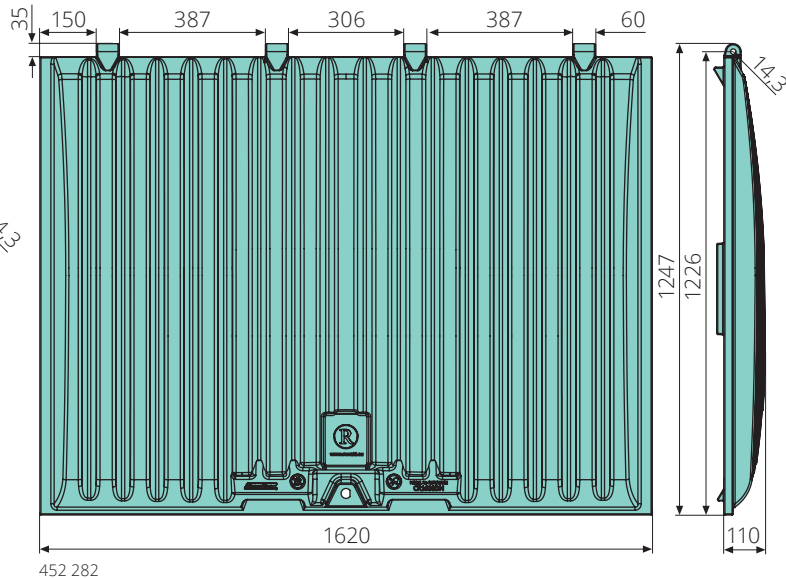
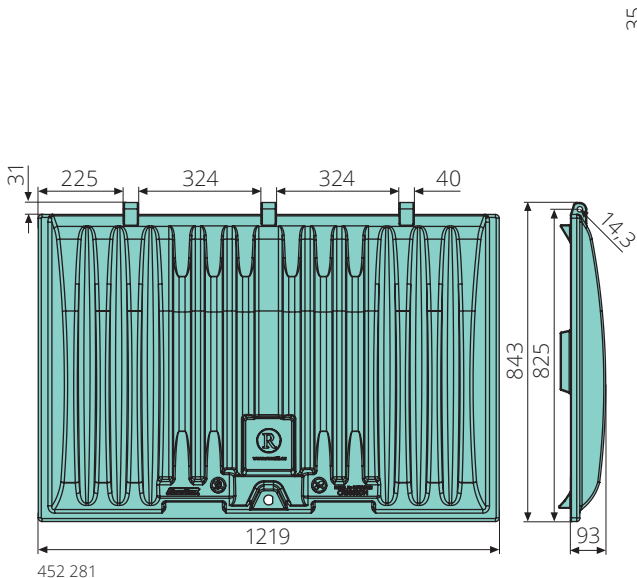


Article no.	Product	Description
451 101 1	Connector pin	D=35mm, L=120mm, slot 11x25mm
451 120 2	Connector pin	D=40mm, L=120mm, slot 13x25mm
451 121 1	Connector pin	D=40mm, L=120mm, slot 16x25mm
451 123	Connector pin	D=40mm, L=120mm, slot 13x25mm, with reinforcement plate
451 128 01	External pin	D=40mm, L=100mm, slot 15x45mm, square 28x28mm
451 131	External pin	D=35mm, L=56mm, slot 11x28mm, hexagon SW17
451 130	External pin	D=35mm, L=56mm, slot 11x28mm, hexagon SW17, with reinforcement plate
451 152	External pin	D=40mm, L=56mm, slot 13x28mm, hexagon SW17, cast steel
451 152 01	External pin	D=40mm, L=56mm, slot 13x28mm, hexagon SW17, cast steel, galvanized
451 152 02	External pin	D=40mm, L=56mm, slot 13x28mm, square 30x30mm, cast steel
451 150	External pin	D=40mm, L=56mm, slot 13x28mm, hexagon SW17, with reinforcement plate, cast steel
451 153	External pin	D=40mm, L=56mm, slot 16x28mm, hexagon SW17
451 151	External pin	D=40mm, L=56mm, slot 16x28mm, hexagon SW17, with reinforcement plate

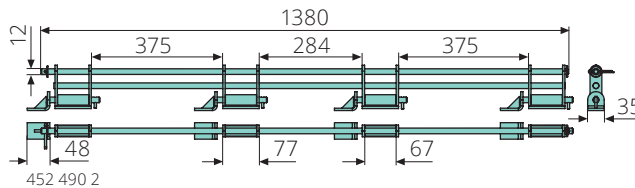
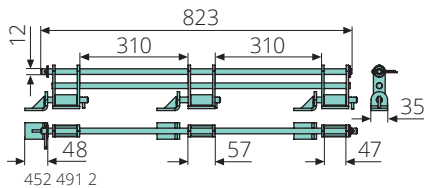
Handles



Article no.	Product	Description
452 011	Handle	200x75x20mm, raw, for welding
452 473	Handle	212x54x30mm, galvanized, for bolted mounting
452 013	Handle	260x61x28mm, galvanized, for bolted mounting
452 007	U-profile with handle	300x62x50mm, galvanized, for bolted mounting
452 008	Handle with L-profile	300x100x30mm, galvanized, for bolted mounting
452 009	Handle with U-profile	310x70x47mm, galvanized, for bolted mounting



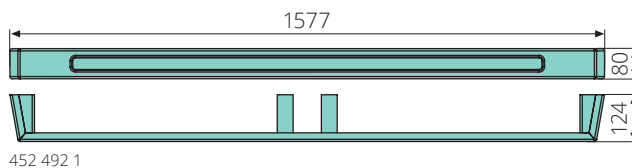
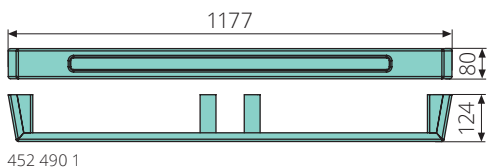
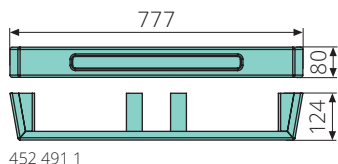
Article no.	Product	Description
452 281	DURAFLEX lid for metal box	1219x843mm, plastic, black
452 281 1	DURAFLEX lid for metal box with flap	1219x843mm, plastic, black
452 282	DURAFLEX lid for metal box	1620x1247mm, plastic, black
452 282 1	DURAFLEX lid for metal box with flap	1620x1247mm, plastic, black



Article no.	Product	Description
452 491 2	Hinge for metal box	12x823mm, small, steel, primed
452 490 2	Hinge for metal box	12x1380mm, large, steel, primed



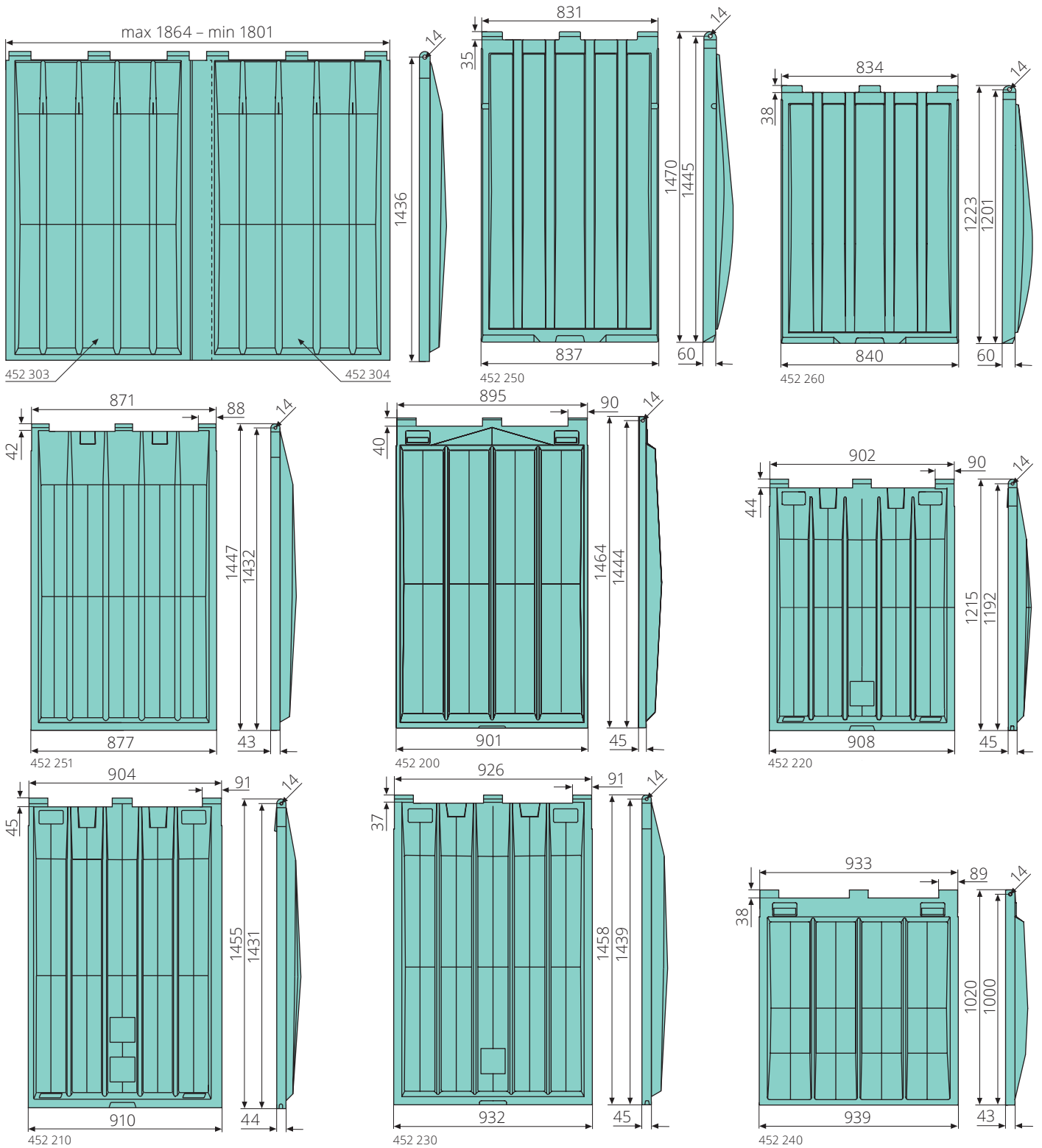
Article no.	Product	Description
452 492	Triangular lock for DURAFLEX lids	8mm, 35mm tongue



Article no.	Product	Description
452 491 1	Skid for metal box	777x80x124mm, small, S235JR
452 490 1	Skid for metal box	1177x80x124mm, large, S235JR
452 492 1	Skid for metal box	1577x80x124mm, extra large, S235JR

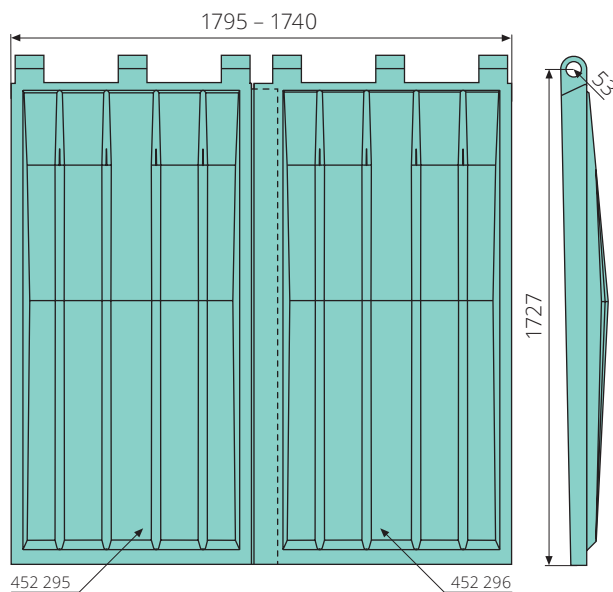
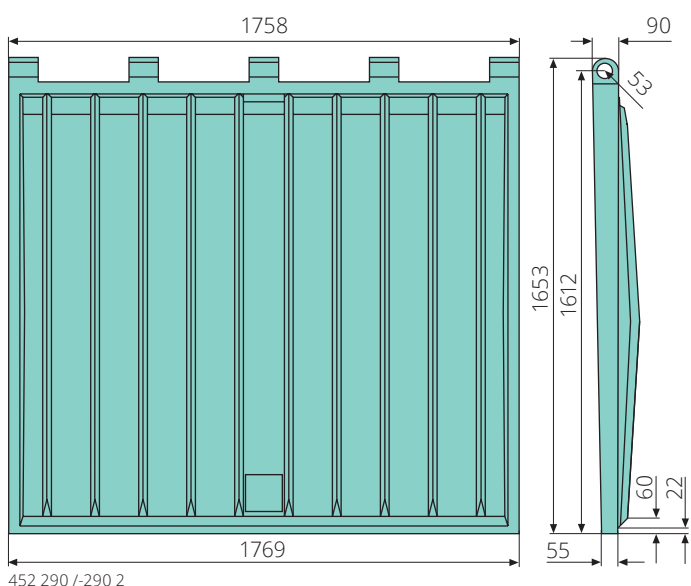
DURAFLEX lids

DURAFLEX lids for metal boxes & accessories / DURAFLEX lids



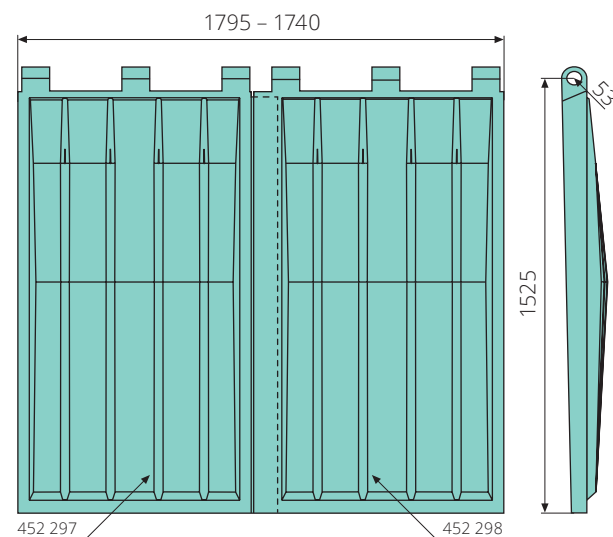
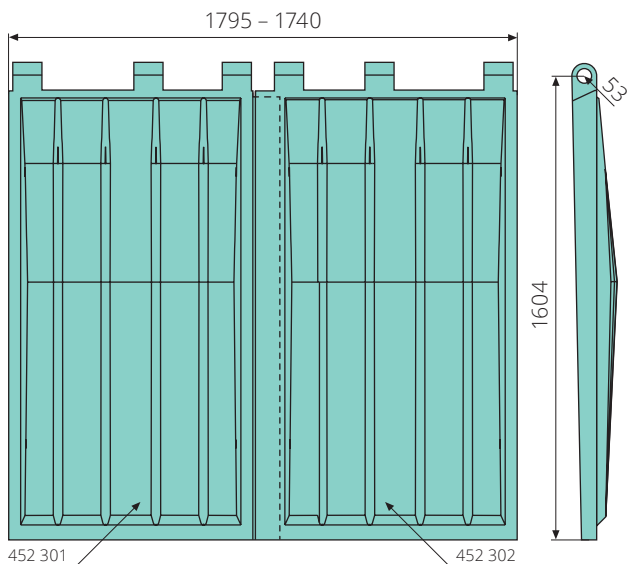
Article no.	Product	Description
452 303	DURAFLEX lid FO3757SM	1436x903mm, left, plastic, divided/overlapping, for front loading container, black
452 304	DURAFLEX lid FO3757MM	1436x903mm, right, plastic, divided/overlapping, for front loading container, black
452 250	DURAFLEX lid ND3357	837x1470mm, plastic, black
452 260	DURAFLEX lid ND3347	840x1223mm, plastic, black
452 251	DURAFLEX lid FL3457	877x1447mm, plastic, black
452 200	DURAFLEX lid GA3557	901x1464mm, plastic, black
452 220	DURAFLEX lid FL3647	908x1215mm, plastic, black
452 210	DURAFLEX lid FL3657	910x1455mm, plastic, black
452 230	DURAFLEX lid FM3757	932x1458mm, plastic, black
452 240	DURAFLEX lid AE3740	939x1020mm, plastic, black

Other colors on request, similar to RAL: 7015 5002 5015 6029 1003 2010 3020



Article no.	Product	Description
452 290	DURAFLEX lid AM6963	1769x1653mm, plastic, without bore & bushings, black
452 290 2	DURAFLEX lid AM6963	1769x1653mm, plastic, with 4 bores & bushings, black

Article no.	Product	Description
452 295	DURAFLEX lid AM3468SM	1727x903mm, left, plastic, divided/overlapping, black
452 296	DURAFLEX lid AM3468MM	1727x903mm, right, plastic, divided/overlapping, black

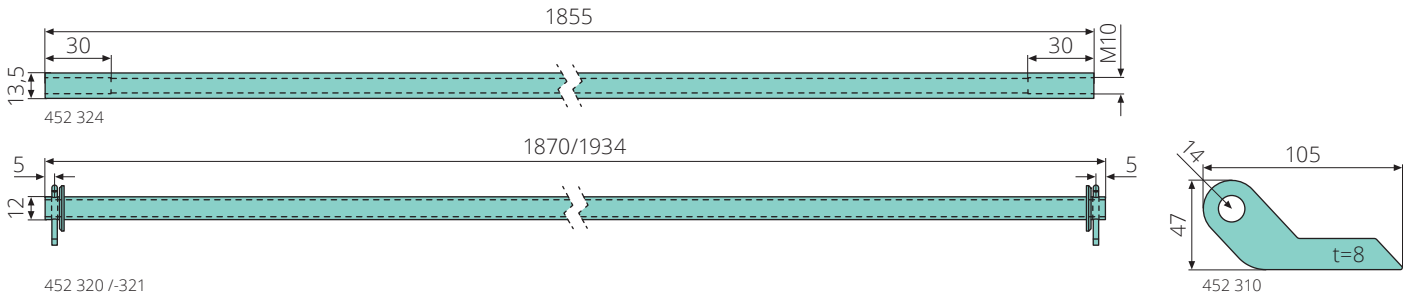


Article no.	Product	Description
452 301	DURAFLEX lid AM3463SM	1604x903mm, left, plastic, divided/overlapping, black
452 302	DURAFLEX lid AM3463MM	1604x903mm, right, plastic, divided/overlapping, black

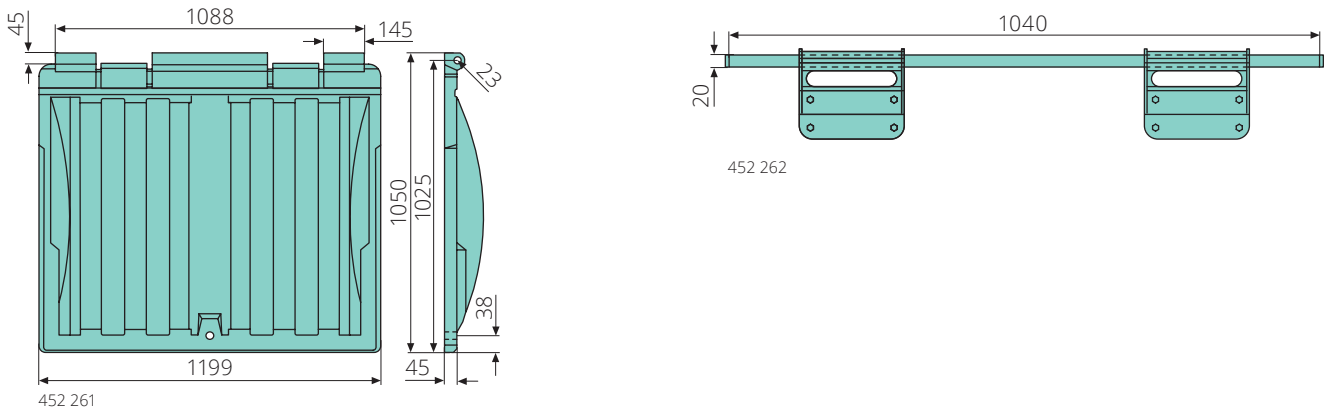
Article no.	Product	Description
452 297	DURAFLEX lid AM3460SM	1525x903mm, left, plastic, divided, overlapping, black
452 298	DURAFLEX lid AM3460MM	1525x903mm, right, plastic, divided/overlapping, black

Other colors on request, similar to RAL: 7015 5002 5015 6029 1003 2010 3020

DURAFLEX lids & Lid hinge bar systems

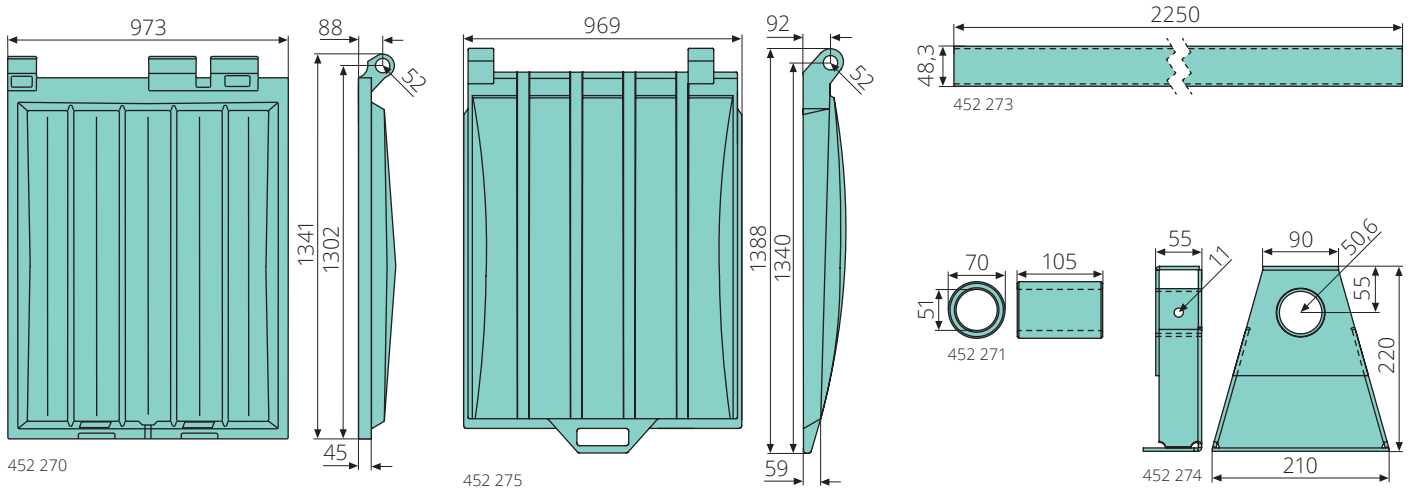


Article no.	Product	Description
452 324	Lid hinge bar	13,5x1855mm, galvanized, with thread M10 on both ends, für DURAFLEX lid with bore d=14mm
452 320	Lid hinge bar	12x1870mm, galvanized, with 2 washers & cotter pins, für DURAFLEX lid with bore d=14mm
452 321	Lid hinge bar	12x1934mm, galvanized, with 2 washers & cotter pins, für DURAFLEX lid with bore d=14mm
452 310	Mount for lid hinge bar	d=14mm



Article no.	Product	Description
452 261	DURAFLEX lid MH1100	1199x1050mm, plastic, black

Article no.	Product	Description
452 262	Lid hinge bar kit	20x1040mm, with hinge bar, 2 plugs, 2 hinges & set of screws, plastic

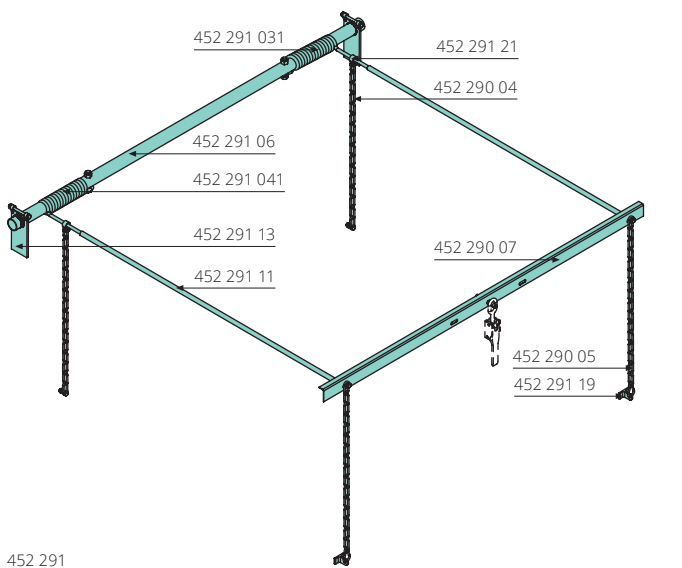


Article no.	Product	Description
452 270	DURAFLEX lid EA3853	973x1341mm, plastic, black
452 275	DURAFLEX lid EA3850	969x1388mm, plastic, black

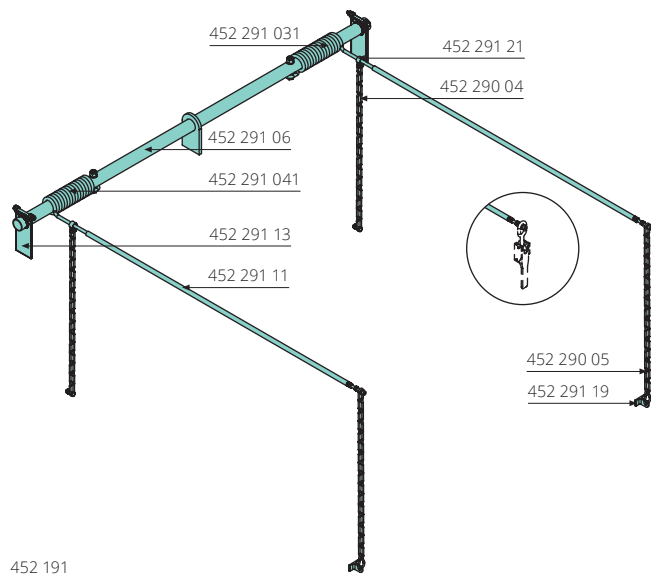
Article no.	Product	Description
452 273	Lid hinge bar	42,5-48,3-2250mm, galvanized, for DURAFLEX lid EA3853
452 271	Plastic bushing	51-70-105mm, for DURAFLEX lid EA3853
452 274	Mount for lid hinge bar	d=50,6mm, galvanized

Other colors on request, similar to RAL: 7015 5002 5015 6029 1003 2010 3020

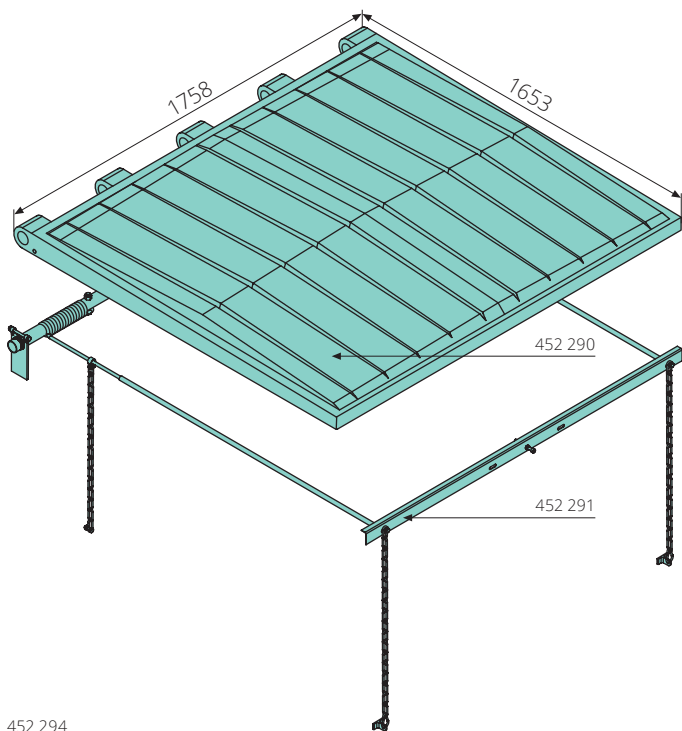
Spring relief systems with spiral springs



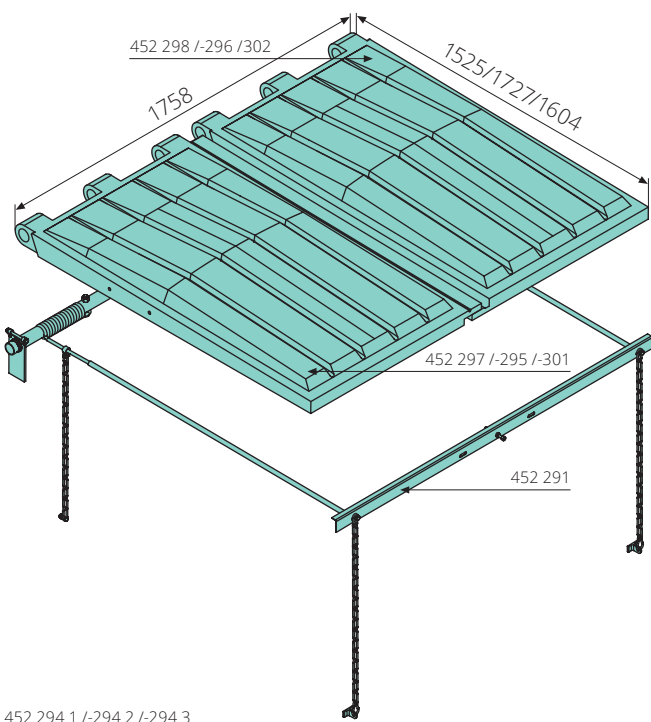
452 291



452 191



452 294

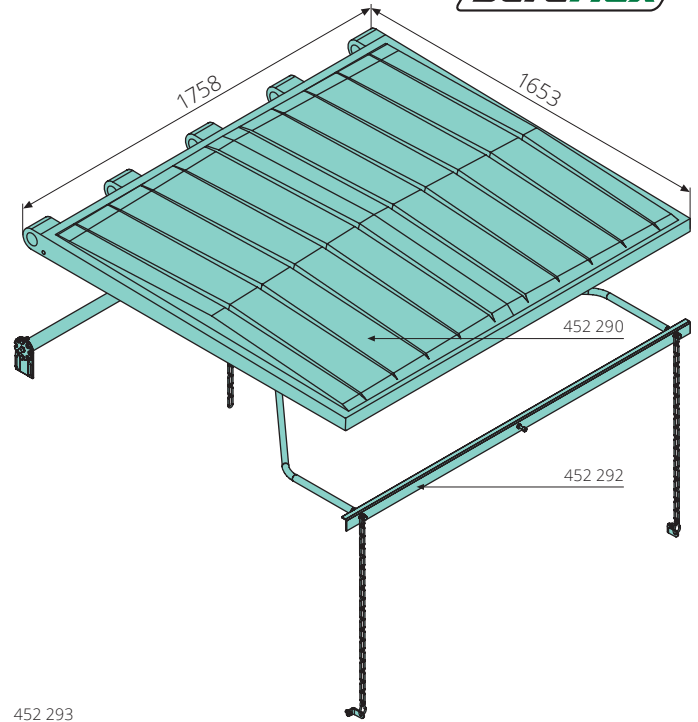
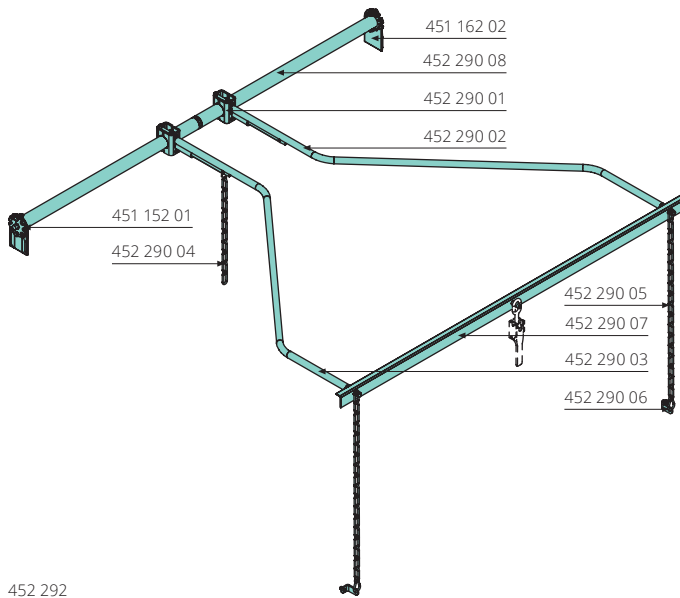


452 294 1 / 294 2 / 294 3

Article no.	Product	Description
452 291	Spring relief system	for DRURAFELX lids AM6963 / AM3460SM /-MM / AM3468SM /-MM (452 290 /-297 /-298 /-295 /-296)
452 191	Spring relief system	for divided DRURAFELX-lids AM3460SM /-MM (452 297 /-298), for separate opening
452 294	Spring relief system complete	1758x1653mm, spring relief system (452 291) & DURAFLEX lid AM6963 (452 290)
452 294 1	Spring relief system complete	1758x1525mm, spring relief system (452 291) & DURAFLEX lids AM3460SM /-MM (452 297 /-298)
452 294 2	Spring relief system complete	1758x1727mm, spring relief system (452 291) & DURAFLEX lids AM3468SM /-MM (452 295 /-296)
452 294 3	Spring relief system complete	1758x1604mm, spring relief system (452 291) & DURAFLEX lids AM3463SM /-MM (452 301 /-302)

Article no.	Product	Description
452 291 031	Spiral spring	d=51mm, right, powder coated
452 291 041	Spiral spring	d=51mm, left, powder coated
452 291 06	Lid hinge bar	48,3x1850mm, galvanized
452 290 07	L-bracket	52x25x1750mm, galvanized, with screws, nuts & washers
452 291 11	Support bar	18x1390mm, with welded nut, galvanized
452 291 13	Anchoring plate	d=49mm, with screw & nut for adjusting, forged, galvanized
452 290 04	Safety chain	D=4,5mm, galvanized
452 290 05	Fastening chain	D=4,5mm, with snap hook, galvanized
452 291 19	Fastening bracket	d=10mm, galvanized
452 291 21	Fastening clasp	d=21mm, for safety chain, galvanized

Spring relief system with spring bars



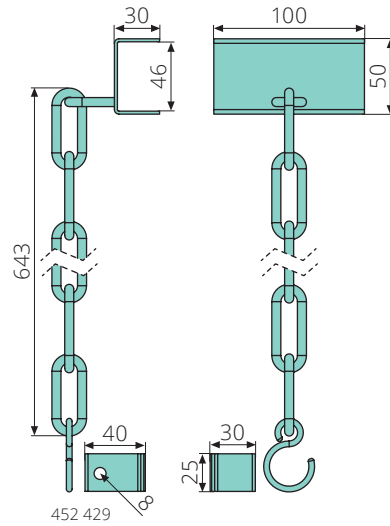
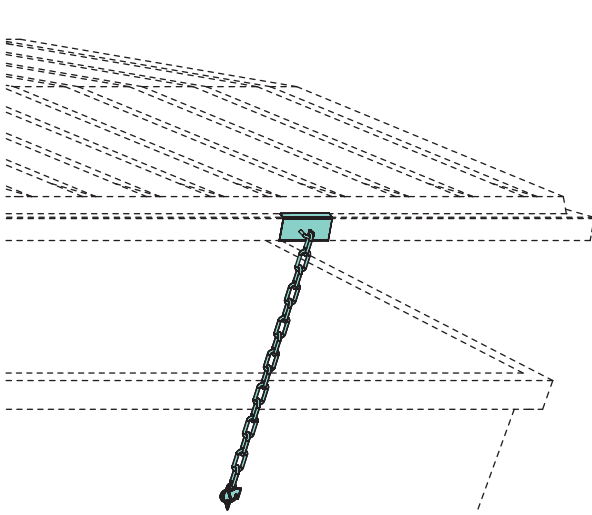
452 292

452 293

Article no.	Product	Description
452 292	Spring relief system with spring bars	for DURAFLEX lid AM6963 (452 290 2), galvanized, kit
452 293	Spring relief system with spring bars complete	1758x1653mm, spring relief system (452 292) & DURAFLEX lid AM6963 (452 290 2)

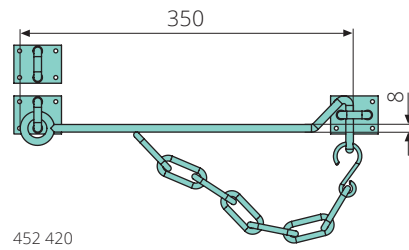
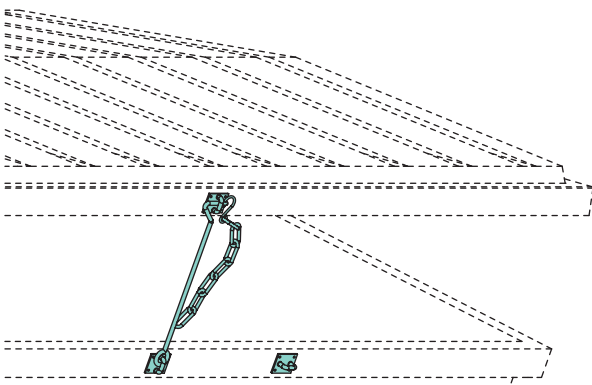
Article no.	Product	Description
452 290 01	Connecting part	d=48,5mm, galvanized
452 290 03	Support bar	25x1415mm, left, galvanized
452 290 02	Support bar	25x1415mm, right, galvanized
452 290 04	Safety chain	D=4,5mm, galvanized
452 290 05	Fastening chain	D=4,5mm, with snap hook, galvanized
452 290 06	Fastening bracket	50x30x25mm, galvanized, with screw & nut M6
452 290 07	L-bracket	52x25x1750mm, galvanized, with screws, nuts & washers
452 290 08	Lid hinge bar	48x1840mm, with connector pin, preassembled, galvanized
451 170 01	Spring bar	859x40x3mm, for assembly kit 452 292
451 162 02	Anchoring plate	d=41mm, 12 bores d=11mm, forged, galvanized
451 152 01	External pin	D=40mm, L=56mm, slot 13x28mm, hexagon SW17, cast steel, galvanized

Lid securing system

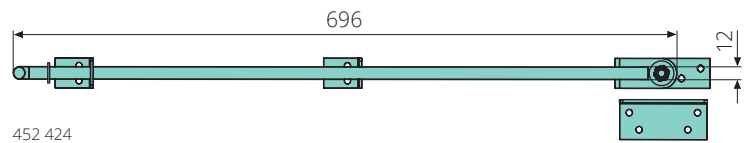
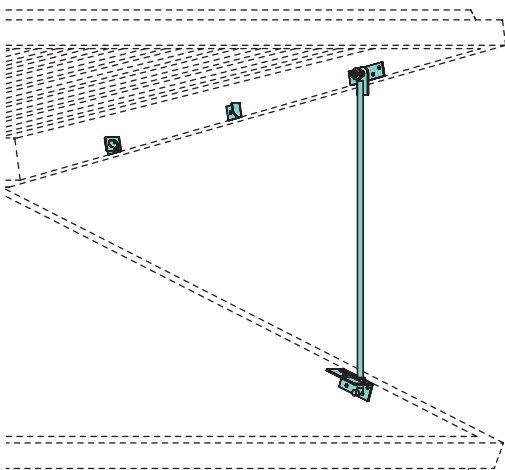


Article no.	Product	Description
452 429	Lid securing system	L=643mm, galvanized, for lids with counter spring system

Lid detents

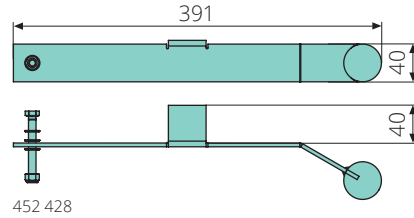
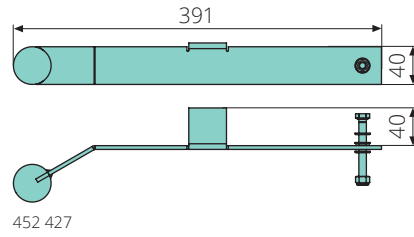
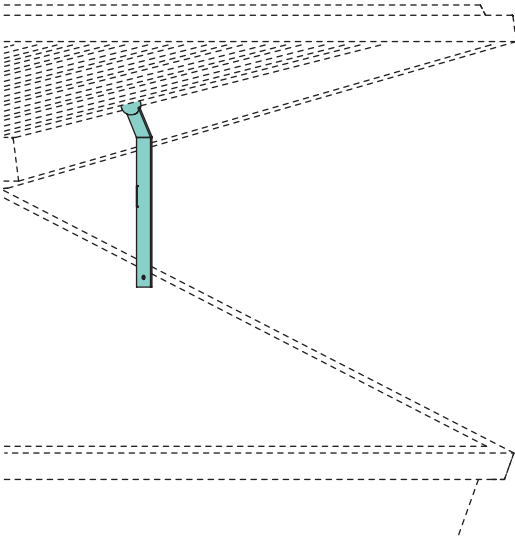


Article no.	Product	Description
452 420	Lid detent	L=350mm, galvanized, for DURAFLEX lids wider than 800mm

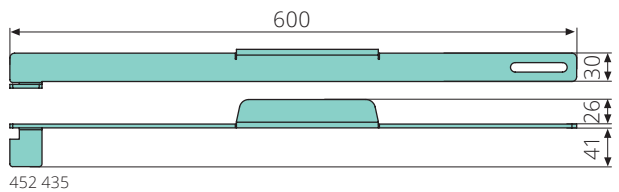
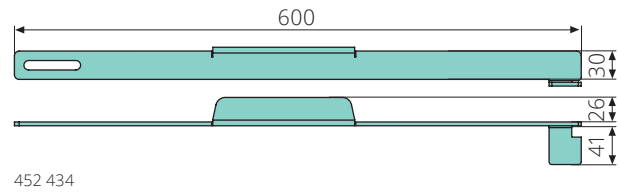
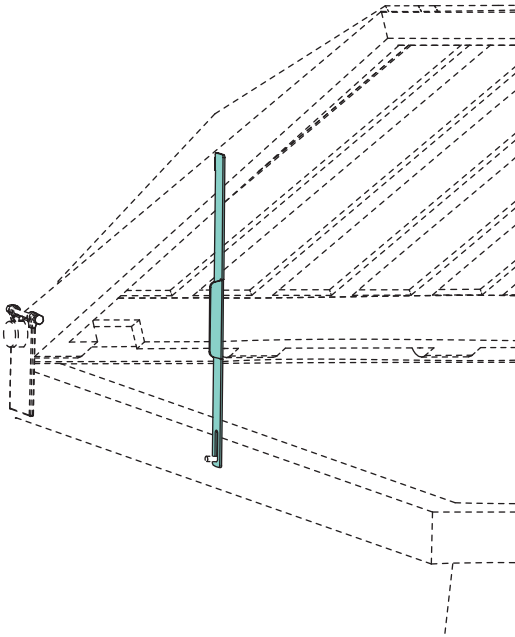


Article no.	Product	Description
452 424	Lid detent	L=696mm, galvanized

Lid detents

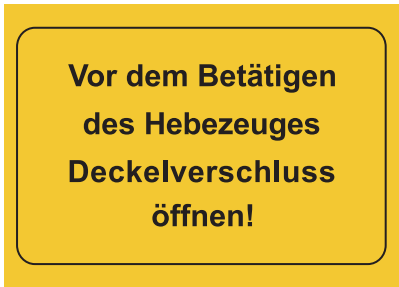
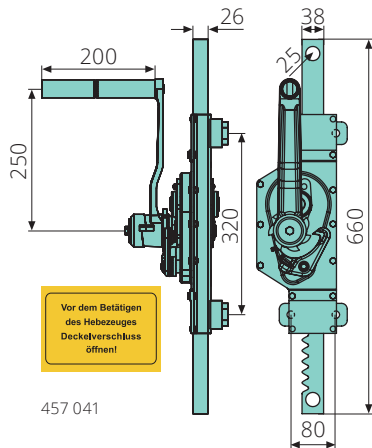


Article no.	Product	Description
452 427	Lid detent	L=391mm, left, galvanized, with screw, washer & nut
452 428	Lid detent	L=391mm, right, galvanized, with screw, washer & nut



Article no.	Product	Description
452 434	Lid detent	L=600mm, left, galvanized
452 435	Lid detent	L=600mm, right, galvanized

Container wall jack

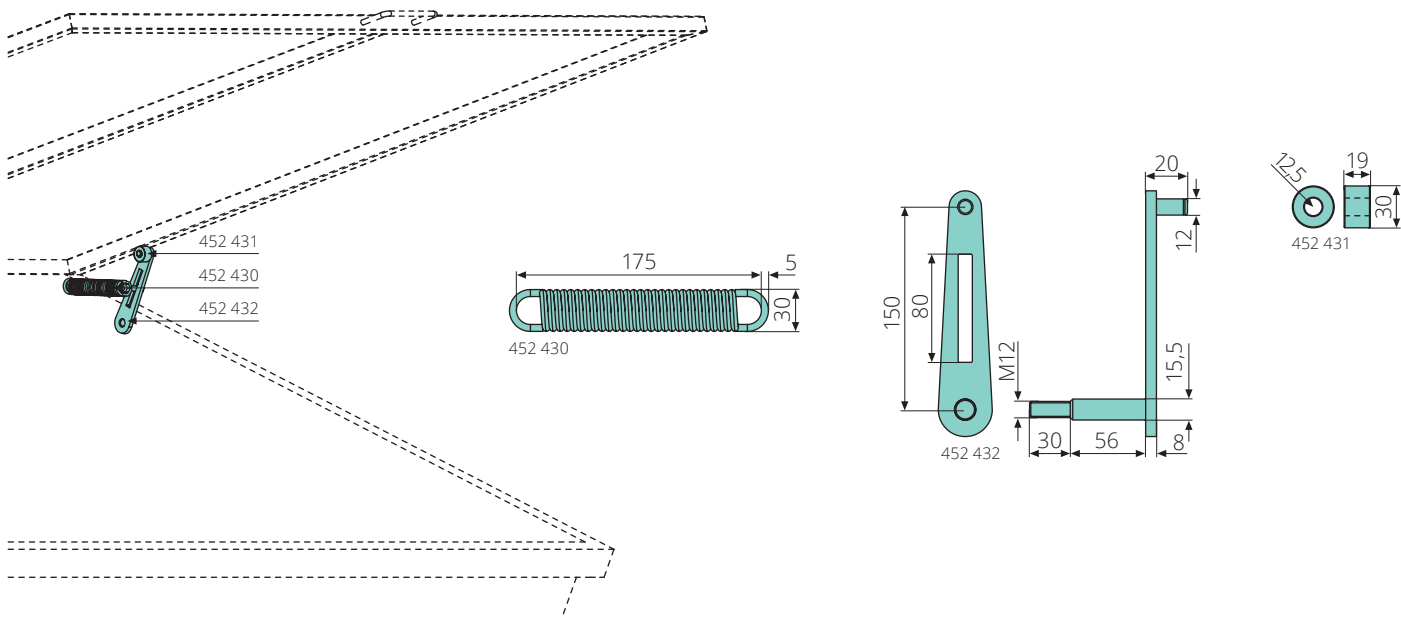


459 229 /-229 1

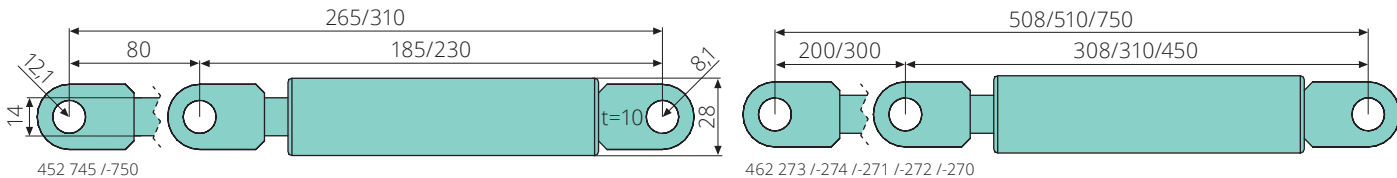
Article no.	Product	Description
457 041	Container wall jack	lifting force 1,75t, lifting capacity 2,5t, stroke 350mm

Article no.	Product	Description
459 229 1	PVC sticker "Deckelverschluss öffnen!"	210x150mm
459 229	PVC sticker "Deckelverschluss öffnen!"	210x150mm, 2 stickers/sheet

Opening aids / Gas springs

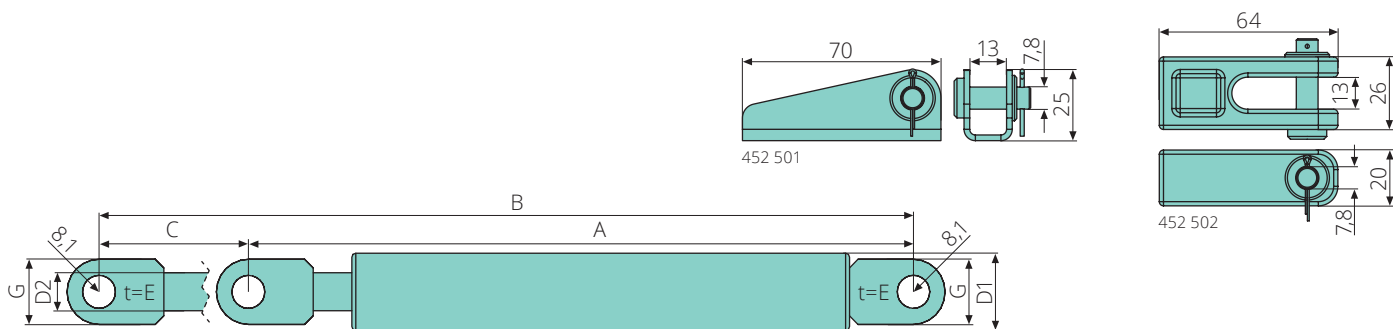


Article no.	Product	Description
452 430	Tension spring	30x175mm, type IVB
452 432	Mount for polyamide roller	D=12mm, galvanized, type IVB
452 431	Polyamide roller	12,5-30-19mm, type IVB



Article no.	Product	Description
452 745	Gas spring	L=265mm, 650N, stroke 80mm, type BERINGER
452 750	Gas spring	L=310mm, 650N, stroke 80mm, type BERINGER
462 273	Gas spring	L=508mm, 2000N, stroke 200mm, eyes with thread
462 274	Gas spring	L=510mm, 1000N, stroke 200mm, eyes with thread
462 271	Gas spring	L=510mm, 1500N, stroke 200mm, eyes with thread, OEM Nr. 01908020
462 272	Gas spring	L=510mm, 1750N, stroke 200mm, eyes with thread, OEM Nr. 01908025
462 270	Gas spring	L=750mm, 2000N, stroke 300mm, eyes with thread

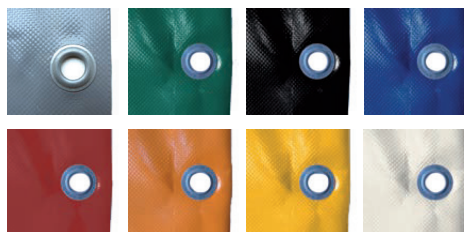
Gas springs



Article no.	Product	Spring force	Stroke C	Length A	Length B	Cylinder D1	Piston D2	Eyes
452 500	Gas spring	250N	100mm	201mm	300,5mm	22mm	10mm	E = 12mm G = 17mm Eyes with thread
452 505	Gas spring	500N		295mm	444,5mm			
452 510	Gas spring	250N	150mm	295mm	444,5mm			
452 515	Gas spring	500N						
452 520	Gas spring	750N						
452 525	Gas spring	1000N	200mm	305mm	504,5mm			
452 530	Gas spring	250N						
452 535	Gas spring	500N	250mm	402mm	651,5mm			
452 540	Gas spring	750N						
452 545	Gas spring	1000N						
452 550	Gas spring	250N						
452 555	Gas spring	500N	300mm	451mm	750,5mm			
452 560	Gas spring	750N						
452 565	Gas spring	1000N						
452 571	Gas spring	500N	450mm	749,5mm				
452 575	Gas spring	750N						
452 580	Gas spring	1000N	400mm	496,5mm	896,5mm	28mm	14mm	
452 585	Gas spring	1250N						
452 590	Gas spring	1500N						
452 595	Gas spring	500N						
452 600	Gas spring	750N						
452 605	Gas spring	1000N						
452 610	Gas spring	1250N						
452 615	Gas spring	1500N						
452 620	Gas spring	2000N						
452 625	Gas spring	250N						100mm
452 630	Gas spring	500N						
452 635	Gas spring	250N						
452 640	Gas spring	500N						
452 645	Gas spring	750N						
452 650	Gas spring	1000N						
452 655	Gas spring	1150N						
452 660	Gas spring	250N						
452 665	Gas spring	500N						
452 670	Gas spring	750N						
452 675	Gas spring	1000N	200mm	285mm	485mm			
452 680	Gas spring	1150N						
452 685	Gas spring	250N						
452 690	Gas spring	500N						
452 695	Gas spring	750N	250mm	335mm	585mm			
452 700	Gas spring	1000N						
452 705	Gas spring	1150N						
452 710	Gas spring	500N	300mm	385mm	685mm			
452 715	Gas spring	750N						
452 720	Gas spring	1000N						
452 725	Gas spring	1150N						
452 730	Gas spring	500N	400mm	490mm	890mm			
452 735	Gas spring	750N						
452 740	Gas spring	950N						

Article no.	Product	Description
452 502	Bracket for gas spring	with pin, cotter pin & washer
452 501	Bracket for gas spring	with pin, cotter pin & washer

Tarpaulins



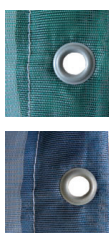
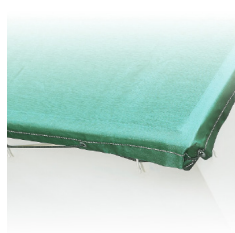
- waterproof
- eyelet every 40 cm
- without rubber cord
- other sizes & with rubber cord on request

Article no.	Product	Description
470 100	Container tarpaulin PE/PVC	for 7m³ container, 2,3x4,5m, 630g/m², grey
470 560	Container tarpaulin PE/PVC	for 7m³ container, 2,3x4,5m, 630g/m², green, black, blue, red, orange, yellow or white
470 590	Container tarpaulin PE/PVC	for 7m³ container, 2,3x4,5m, 620g/m², reinforced corners, grey
470 105	Container tarpaulin PE/PVC	for 10m³ container, 2,3x5,0m, 630g/m², grey
470 565	Container tarpaulin PE/PVC	for 10m³ container, 2,3x5,0m, 630g/m², green, black, blue, red, orange, yellow or white
470 595	Container tarpaulin PE/PVC	for 10m³ container, 2,3x5,0m, 620g/m², reinforced corners, grey



- stable, air-permeable
- firm, very resistant to abrasion
- eyelet every 40 cm
- without rubber cord
- other sizes, other colours & with rubber cord on request

Article no.	Product	Description
470 130	PE-monofilament tarpaulin	for 7m³ container, 2,3x4,5m, 200g/m², green, black, grey, blue or red
470 135	PE-monofilament tarpaulin	for 10m³ container, 2,3x5,0m, 200g/m², green, black, grey, blue or red



- dense weave
- eyelet every 40 cm
- without rubber cord
- other sizes and with rubber cord on request

Article no.	Product	Description
470 300	Fabric tarpaulin PE	for 7m³ container, 2,3x4,5m, 190g/m², green or blue
470 305	Fabric tarpaulin PE	for 10m³ container, 2,3x5,0m, 190g/m², green or blue



- easily folded, air-permeable
- eyelet every 40 cm
- without rubber cord
- other sizes, other colours & with rubber cord on request

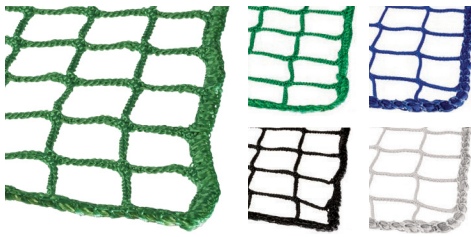
Article no.	Product	Description
470 515	PE monofilament tarpaulin	for 7m³ container, 2,3x4,5m, 220g/m², green, black, gray or red
470 520	PE monofilament tarpaulin	for 10m³ container, 2,3x5,0m, 220g/m², green, black, gray or red
470 525	PE monofilament tarpaulin	for 10m³ container, 3,1x5,0m, 220g/m², green, black, gray or red



- air-permeable
- eyelet every 40 cm
- without rubber cord
- other sizes and with rubber cord on request

Article no.	Product	Description
470 331	Woven band tarpaulin PE	for 10m³ container, 3,1x5,0m, 200g/m², green
470 330	Woven band tarpaulin PE	for 10m³ container, 3,5x5,0m, 200g/m², green

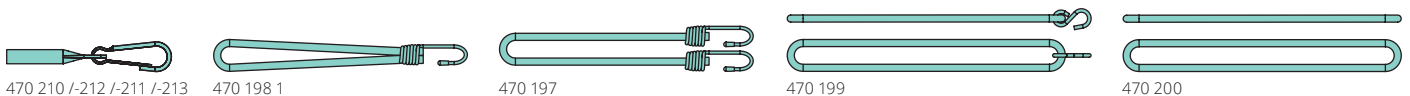
Nets



- high-strength
- with border rope
- reinforced border
- other sizes on request

Article no.	Product	Description
470 455	Synthetic net PP	1,7x2,5m, 200g/m ² , 3mm, mesh width 30mm, green, blue or black
470 485	Synthetic net PP	1,7x2,5m, 170g/m ² , 3mm, mesh width 45mm, green, blue, black or white
470 400	Synthetic net PP	for 5m ³ container, 2,5x4,5m, 130g/m ² , 2,3mm, mesh width 45mm, black
470 405	Synthetic net PP	for 5-10m ³ container, 3,0x5,0m, 130g/m ² , 2,3mm, mesh width 45mm, black
470 430	Synthetic net PP	for 5-10m ³ container, 3,0x5,0m, 200g/m ² , 2,5mm, mesh width 20mm, black
470 460	Synthetic net PP	for 5-10m ³ container, 3,0x5,0m, 200g/m ² , 3mm, mesh width 30mm, green, blue or black
470 490	Synthetic net PP	for 5-10m ³ container, 3,0x5,0m, 170g/m ² , 3mm, mesh width 45mm, green, blue, black or white
470 410	Synthetic net PP	for 5-10m ³ container, 3,5x6,0m, 130g/m ² , 2,3mm, mesh width 45mm, black
470 435	Synthetic net PP	for 5-12m ³ container, 3,5x6,0m, 200g/m ² , 2,5mm, mesh width 20mm, black
470 465	Synthetic net PP	for 5-10m ³ container, 3,5x6,0m, 200g/m ² , 3mm, mesh width 30mm, green, blue or black
470 495	Synthetic net PP	for 5-10m ³ container, 3,5x6,0m, 170g/m ² , 3mm, mesh width 45mm, green, blue, black or white

Rubber cords & accessories

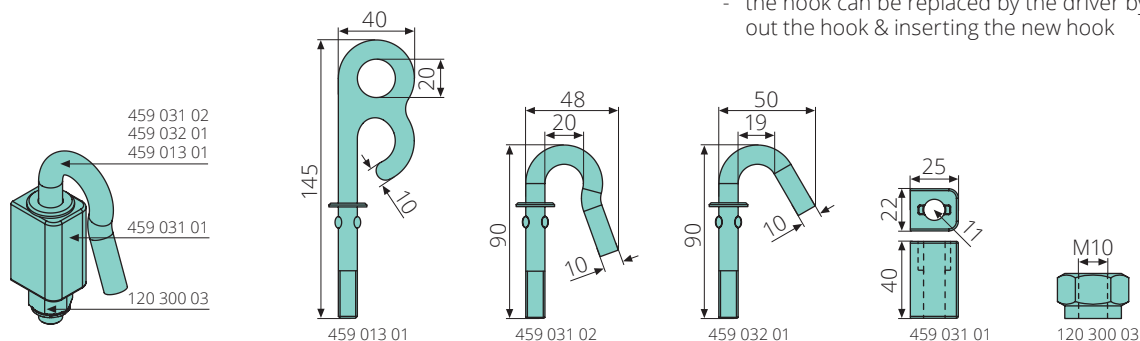


Article no.	Product	Description
470 210	Cable end closure	d=8mm, with hook, galvanized
470 212	Cable end closure	d=8mm, with hook, galvanized, PU 100 pieces, price/PU
470 211	Cable end closure	d=10mm, with hook, galvanized
470 213	Cable end closure	d=10mm, with hook, galvanized, PU 100 pieces, price/PU
470 198 1	Stretch lashing	D=5,4mm, L=400mm, stretch rope, with spiral hook
470 198	Stretch lashing	D=8mm, L=400mm, stretch rope, with spiral hook
470 197	Stretch lashing	D=9mm, L=800mm, stretch rope, with spiral hooks on both ends
470 199	Rubber lashing loop	D=8mm, L=400mm, with s-hook, galvanized
470 200	Rubber lashing loop	D=8mm, L=400mm

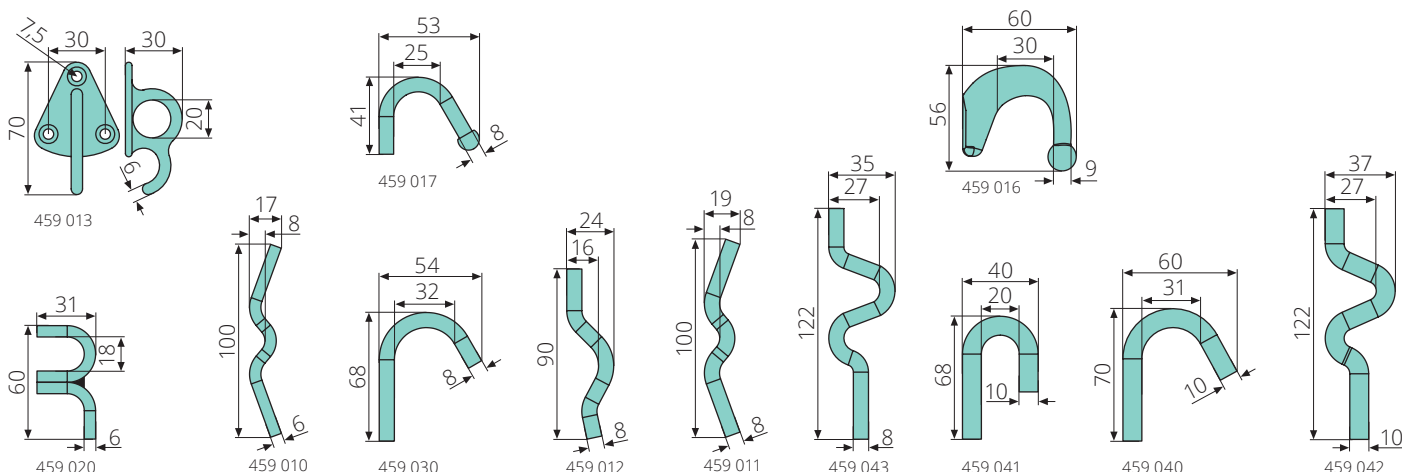
Article no.	Product	Description
470 127	Rubber cord	D=8mm, 50m bundle
470 126	Rubber cord	D=10mm, 50m bundle
470 196	Stretch rope	D=8mm, 100m bundle, single-stranded
470 129	Stretch rope	D=10mm, 50m bundle, single-stranded
470 128	Stretch rope	D=10mm, 100m bundle, single-stranded

Tarpaulin hooks / Crank handle

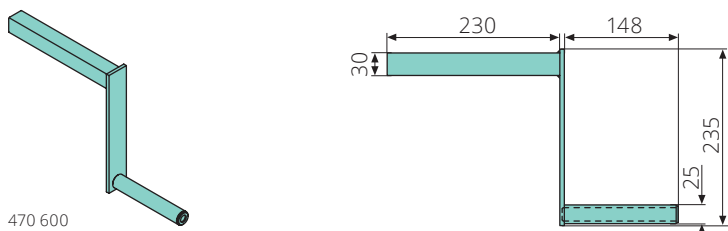
- if damaged, conventional tarpaulin hooks must be cut off on each side in the workshop & welded on again
- the hook can be replaced by the driver by loosening the nut, pulling out the hook & inserting the new hook



Article no.	Product	Description
459 013 01	Tarpaulin hook with thread	10x145mm, M10, galvanized, with eye
459 031 02	Tarpaulin hook with thread	10x90mm, M10, galvanized, curved
459 032 01	Tarpaulin hook with thread	10x90mm, M10, galvanized
459 031 01	Mount for tarpaulin hook	40x22x25mm, d=11mm, cast steel
120 300 03	Hex head nut	M10, self-locking, galvanized, ISO 7040

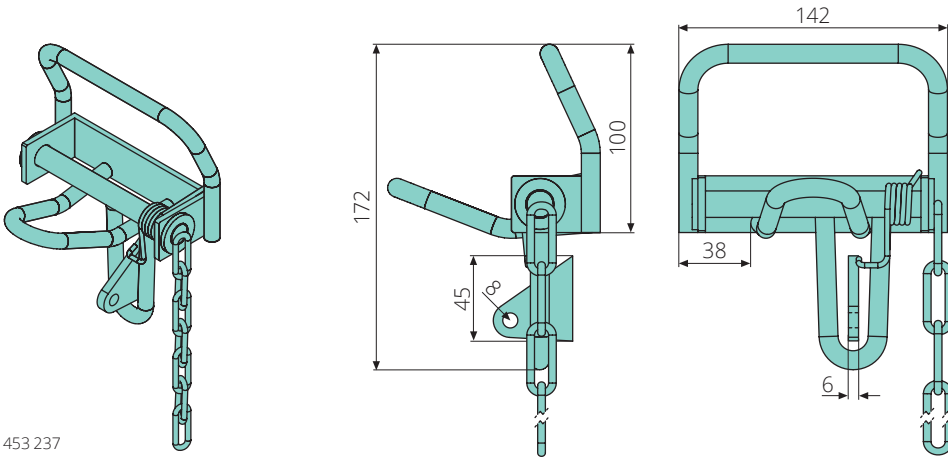


Article no.	Product	Description
459 013	Tarpaulin hook	6x70mm, for bolted mounting, galvanized
459 020	Tarpaulin hook	6x60mm
459 010	Tarpaulin hook	6x100mm
459 017	Tarpaulin hook	8x41mm
459 030	Tarpaulin hook	8x68mm
459 012	Tarpaulin hook	8x90mm
459 011	Tarpaulin hook	8x100mm
459 043	Tarpaulin hook	8x122mm
459 016	Tarpaulin hook	9x56mm
459 041	Tarpaulin hook	10x68mm
459 040	Tarpaulin hook	10x70mm
459 042	Tarpaulin hook	10x122mm



Article no.	Product	Description
470 600	Crank handle	for rolling tarpaulin, S235JR, galvanized

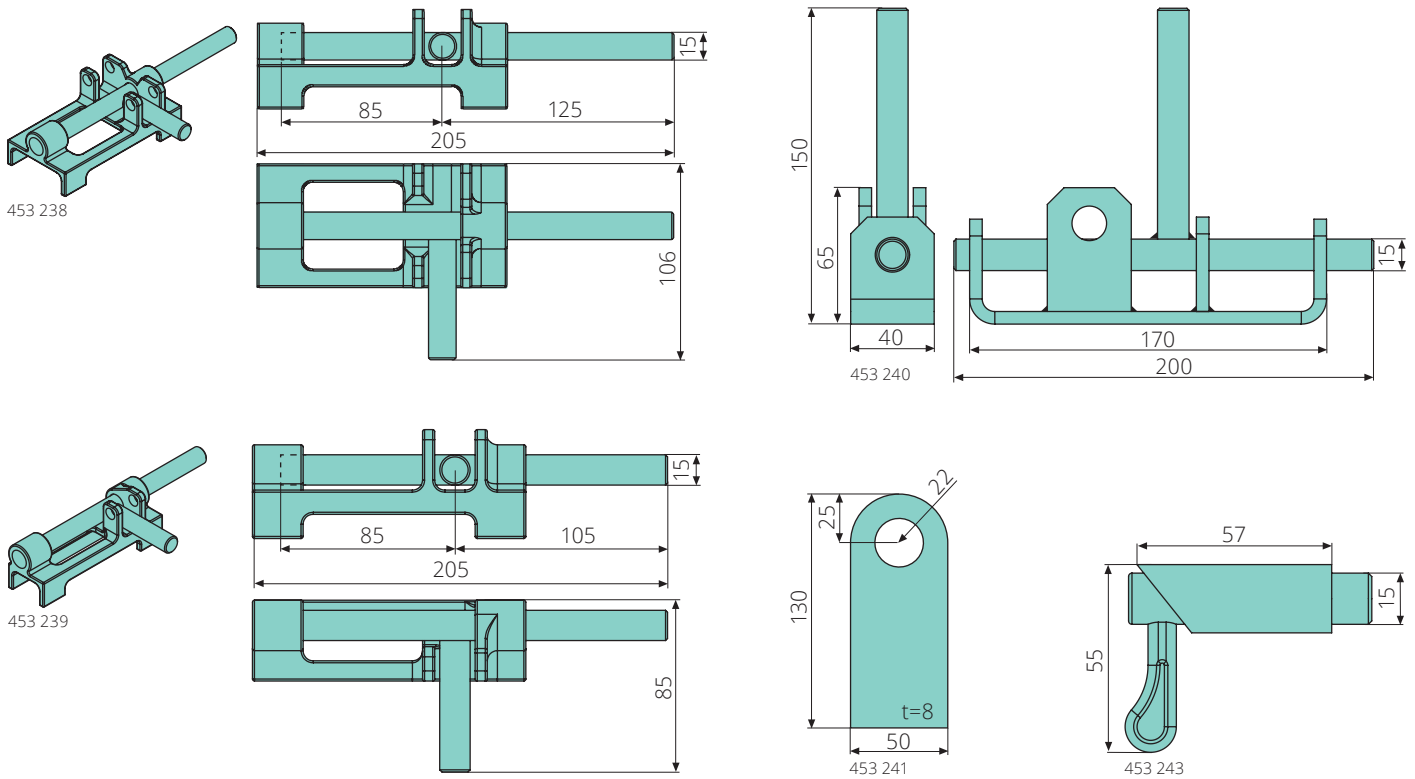
Lid locking device



453 237

Article no.	Product	Description
453 237	Lid locking device	with locking plate, with padlock fitting, for skip lids

Bolt locks



453 238

453 239

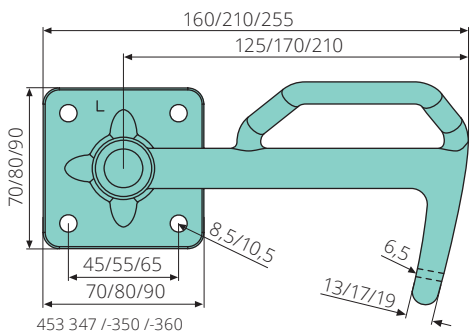
453 240

453 241

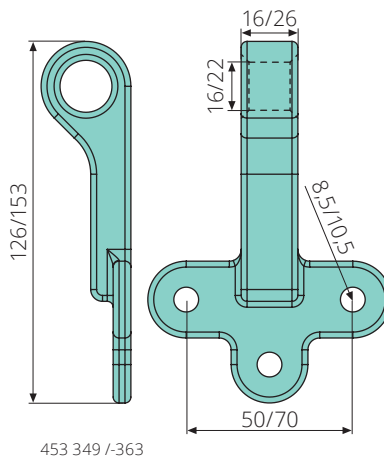
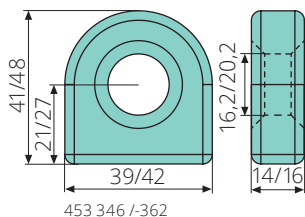
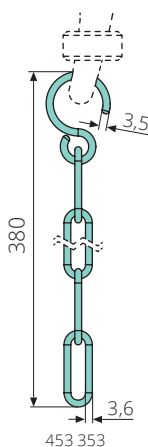
453 243

Article no.	Product	Description
453 238	Bolt lock	D=15mm, left/right, with padlock fitting
453 239	Bolt lock	D=15mm, right, with padlock fitting
453 240	Bolt lock	D=15mm, left/right, with padlock fitting
453 241	Locking plate for bolt lock	d=22mm
453 243	Spring bolt	D=15mm, galvanized

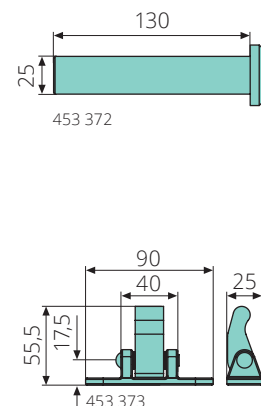
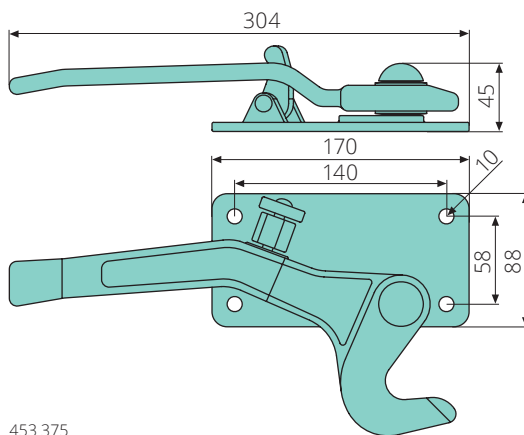
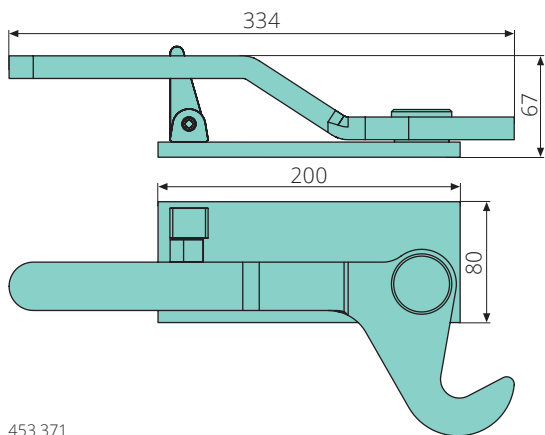
Tailgate locks



Article no.	Product	Description
453 347	Tailgate lock	D=13mm, left, size 1, hook L=125mm, plate 70x70mm, galvanized
453 348	Tailgate lock	D=13mm, right, size 1, hook L=125mm, plate 70x70mm, galvanized
453 350	Tailgate lock	D=17mm, left, size 2, hook L=170mm, plate 80x80mm, galvanized
453 351	Tailgate lock	D=17mm, right, size 2, hook L=170mm, plate 80x80mm, galvanized
453 360	Tailgate lock	D=19mm, left, size 3, hook L=210mm, plate 90x90mm, galvanized
453 361	Tailgate lock	D=19mm, right, size 3, hook L=210mm, plate 90x90mm, galvanized

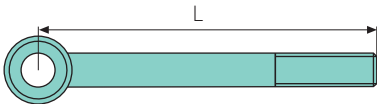


Article no.	Product	Description
453 353	Safety hook with chain	D=3,8mm, L=380mm, galvanized, packaging unit of 10
453 346	Eye	d=16,2mm, for tailgate lock size 1, for welding
453 349	Eye	d=16mm, for tailgate lock size 1, for welding, galvanized
453 362	Eye	d=20,2mm, for lock latches Size 2+3, for welding
453 363	Eye	d=22mm, for tailgate lock size 2/3, for bolted mounting, galvanized

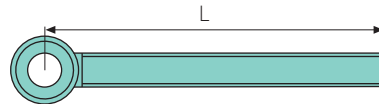


Article no.	Product	Description
453 371	Tailgate lock	left, plate 10mm
453 370	Tailgate lock	right, plate 10mm
453 375	Tailgate lock	left, forged
453 376	Tailgate lock	right, forged
453 372	Locking pin	25x130mm, for tailgate locks
453 373	Safety latch	cast steel

Eyebolts & Ring nuts



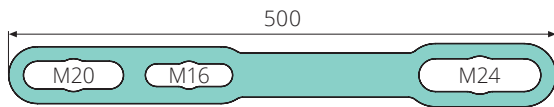
110 500 22 /-11 /-12 /-21 /-16 /-29 /-14 /-13
110 500 01 /-02 /-03 /-04 /-05 /-27 /-17
110 500 06 /-07 /-08 /-09 /-10 /-26 /-25



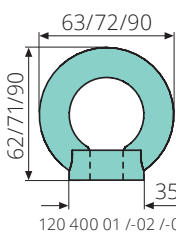
110 500 23 /-24 /-15 /-28



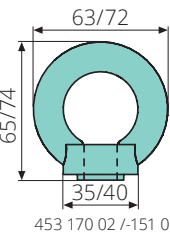
Article no.	Product	Description
110 500 22	Eyebolt	M10x80mm, galvanized, DIN 444
110 500 11	Eyebolt	M12x70mm, DIN 444
110 500 12	Eyebolt	M12x70mm, left-hand thread, DIN 444
110 500 21	Eyebolt	M12x80mm, galvanized, DIN 444
110 500 16	Eyebolt	M14x80mm, galvanized, left-hand thread, DIN 444
110 500 29	Eyebolt	M14x120mm, galvanized, left-hand thread, DIN 444
110 500 14	Eyebolt	M16x70mm, DIN 444
110 500 13	Eyebolt	M16x70mm, left-hand thread, DIN 444
110 500 01	Eyebolt	M16x120mm, galvanized, DIN 444
110 500 02	Eyebolt	M16x140mm, galvanized, DIN 444
110 500 03	Eyebolt	M16x160mm, galvanized, DIN 444
110 500 04	Eyebolt	M16x180mm, galvanized, DIN 444
110 500 05	Eyebolt	M16x200mm, galvanized, DIN 444
110 500 24	Eyebolt	M16x200mm, galvanized, continuous thread, DIN 444
110 500 27	Eyebolt	M18x200mm, galvanized, DIN 444
110 500 17	Eyebolt	M20x100mm, galvanized, DIN 444
110 500 06	Eyebolt	M20x120mm, galvanized, DIN 444
110 500 07	Eyebolt	M20x140mm, galvanized, DIN 444
110 500 08	Eyebolt	M20x160mm, galvanized, DIN 444
110 500 09	Eyebolt	M20x180mm, galvanized, DIN 444
110 500 15	Eyebolt	M20x200mm, galvanized, continuous thread, DIN 444
110 500 10	Eyebolt	M20x220mm, galvanized, DIN 444
110 500 39	Eyebolt	M20x240mm, galvanized, DIN 444
110 500 30	Eyebolt	M20x260mm, galvanized, DIN 444
110 500 23	Eyebolt	M24x180mm, galvanized, continuous thread, DIN 444
110 500 28	Eyebolt	M24x280mm, galvanized, continuous thread, DIN 444
110 500 26	Eyebolt	M24x250mm, galvanized, eye d=25mm
110 500 25	Eyebolt	M24x270mm, galvanized, DIN 444



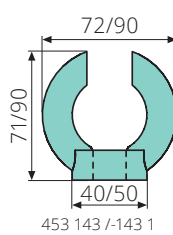
453 145 1



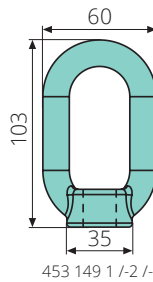
120 400 01 /-02 /-03



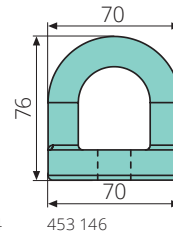
453 170 02 /-151 02



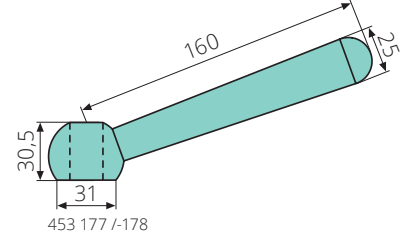
453 143 /-143 1



453 149 1 /-2 /-3 /-4



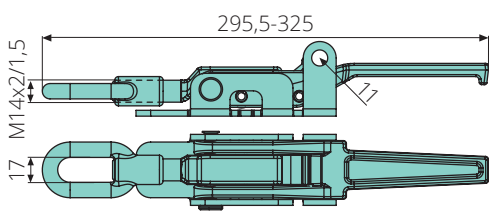
453 146



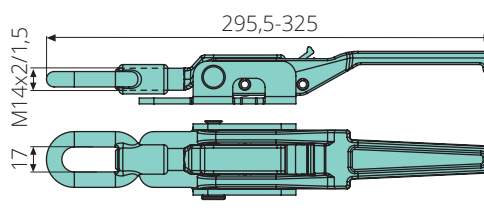
453 177 /-178

Article no.	Product	Description
453 145 1	Key for ring nuts	500x50x12mm, for M16, M20 & M24, galvanized
120 400 01	Ring nut	M16, galvanized, DIN 582
453 170 02	Ring nut with collar	M16, galvanized, collar 3x18mm
453 149 1	Ring nut	M16
453 149 2	Ring nut	M18
120 400 02	Ring nut	M20, galvanized, DIN 582
453 151 02	Ring nut with collar	M20, galvanized, collar 3x22mm
453 143	Ring nut with slit	M20, galvanized, slit 24mm
453 149 3	Ring nut	M20
453 146	Ring nut	M20, galvanized
120 400 03	Ring nut	M24, galvanized, DIN 582
453 143 1	Ring nut with slit	M24, galvanized, slit 28mm
453 149 4	Ring nut	M24
453 177	Nut with handle	M16, galvanized
453 178	Nut with handle	M20, galvanized

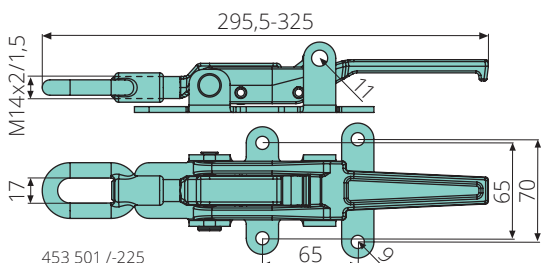
Over centre locks



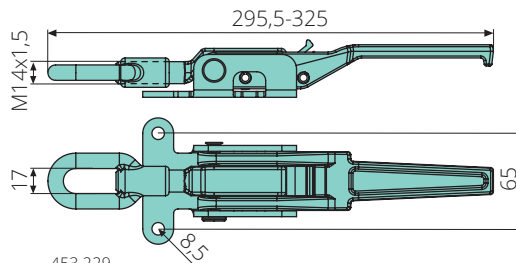
453 500 /-224



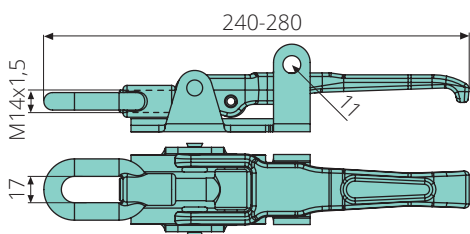
453 510 /-226



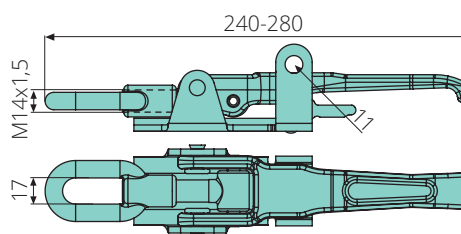
453 501 /-225



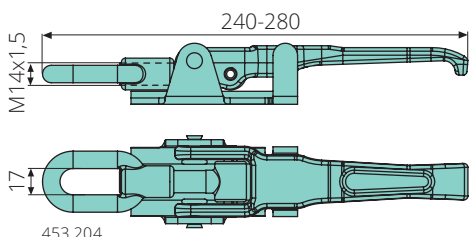
453 229



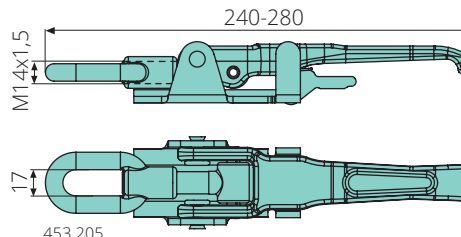
453 200



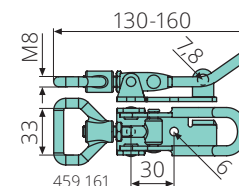
453 201



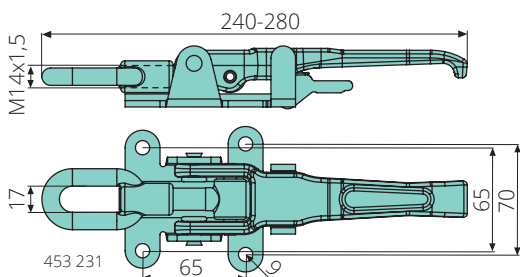
453 204



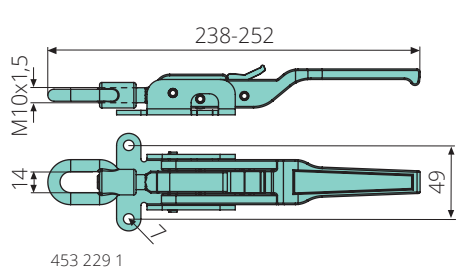
453 205



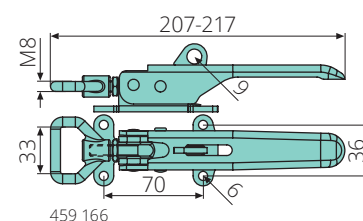
459 161



453 231



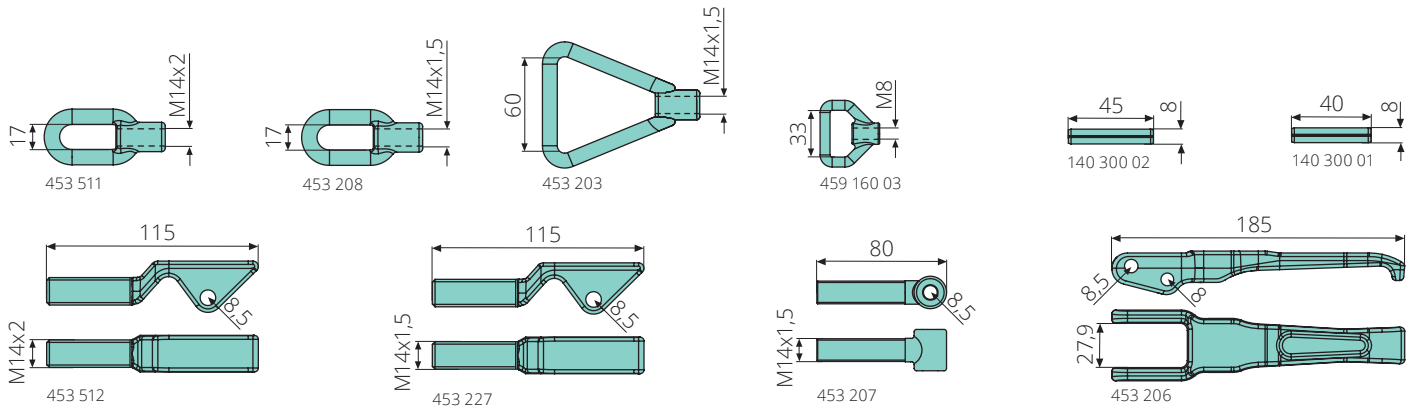
453 229 1



459 166

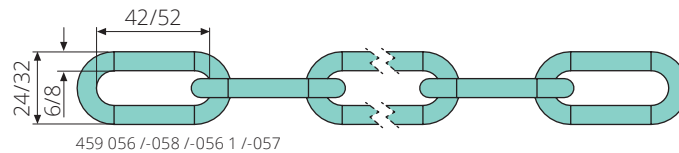
Article no.	Product	Description
453 500	Over centre lock	M14x2mm, stroke 25mm, with automatic safety latch, with padlock fitting
453 510	Over centre lock	M14x2mm, stroke 25mm, with automatic safety latch
453 501	Over centre lock	M14x2mm, stroke 25mm, with automatic safety latch, with padlock fitting, for bolted mounting
453 224	Over centre lock	M14x1,5mm, stroke 25mm, with automatic safety latch, with padlock fitting
453 226	Over centre lock	M14x1,5mm, stroke 25mm, with automatic safety latch
453 225	Over centre lock	M14x1,5mm, stroke 25mm, with automatic safety latch, with padlock fitting, for bolted mounting
453 229	Over centre lock	M14x1,5mm, stroke 25mm, with automatic safety latch, for bolted mounting, galvanized
453 200	Over centre lock	M14x1,5mm, stroke 25mm, with padlock fitting
453 201	Over centre lock	M14x1,5mm, stroke 25mm, with automatic safety latch, with padlock fitting
453 204	Over centre lock	M14x1,5mm, stroke 30mm
453 205	Over centre lock	M14x1,5mm, stroke 30mm, with automatic safety latch
453 231	Over centre lock	M14x1,5mm, stroke 30mm, with automatic safety latch, for bolted mounting, galvanized
453 229 1	Over centre lock	M14x1,5mm, stroke 15mm, with automatic safety latch, for bolted mounting, galvanized
459 161	Over centre lock	M8, stroke 30mm, galvanized, can be locked
459 166	Over centre lock	M8, stroke 20mm, galvanized, with automatic safety latch, can be locked

Accessories for over centre locks

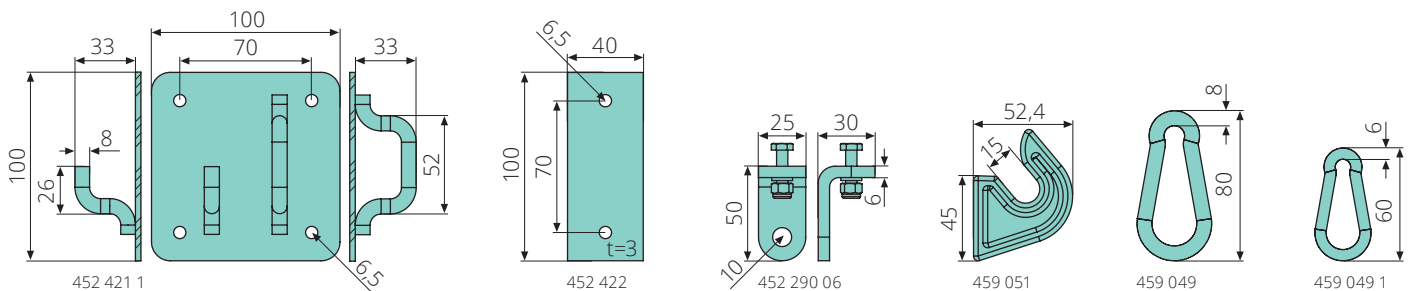


Article no.	Product	Description
453 511	Threaded eye	M14x2mm, spare part for 453 500 /-501 /-510 /-520, galvanized
453 208	Threaded eye	M14x1,5mm, spare part for 453 200 /-201 /-204 /-205 /-224 /-225 /-226 /-229 /-231, galvanized
453 203	Triangular eye	M14x1,5mm, spare part for 453 200 /-201 /-204 /-205 /-224 /-225 /-226 /-229 /-231, galvanized
459 160 03	Eye for over centre locks	M8, galvanized
453 512	Threaded arm	M14x2mm, spare part for 453 500 /-501 /-510, galvanized
453 227	Threaded arm	M14x1,5mm, spare part for 453 224 /-225 /-226 /-229, galvanized
453 207	Eyebolt	M14x1,5mm, spare part for 453 200 /-201 /-204 /-205 /-231
453 206	Handle	L=185mm, spare part for 453 200 /-204, forged
140 300 01	Spring pin	8x40mm, ISO 8752
140 300 02	Spring pin	8x45mm, ISO 8752

Chains & accessories

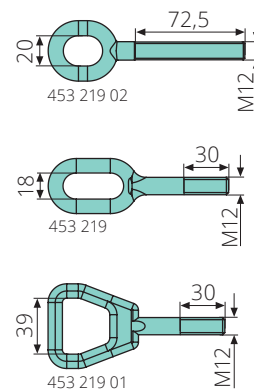
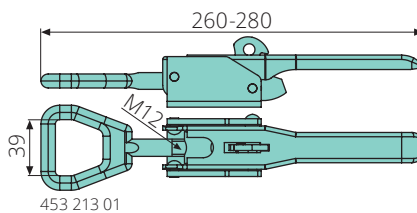
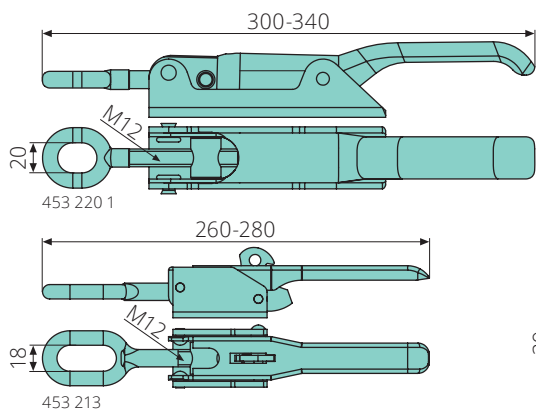


Article no.	Product	Description
459 056	Chain	NG 6mm, DIN 763, galvanized, length according to specification
459 056 1	Chain	NG 8mm, DIN 763, galvanized, length according to specification
Article no.	Product	Description
459 058	Chain	NG 6mm, L=30m, DIN 763, galvanized
459 057	Chain	NG 8mm, L=30m, DIN 763, galvanized

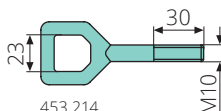
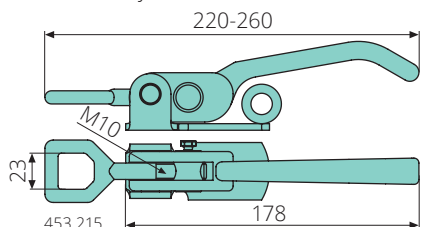


Article no.	Product	Description
452 421 1	Chain mount	100x100x3mm, galvanized, welded
452 422	Counter plate	100x40x3mm, galvanized
452 290 06	Fastening bracket	50x30x25mm, galvanized, with screw & nut M6
459 051	Hook for chains	t=12mm, cast steel
459 049	Snap hook	8x80mm, DIN 5299C, galvanized
459 049 1	Snap hook	6x60mm, DIN 5299C, galvanized

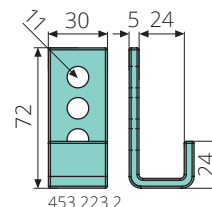
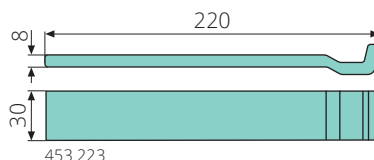
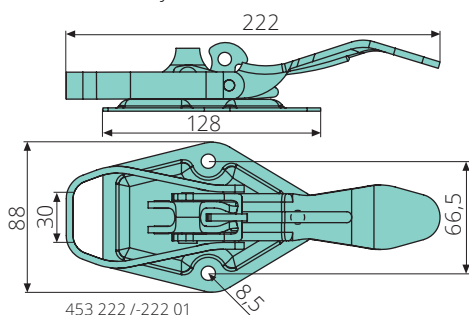
Over centre locks



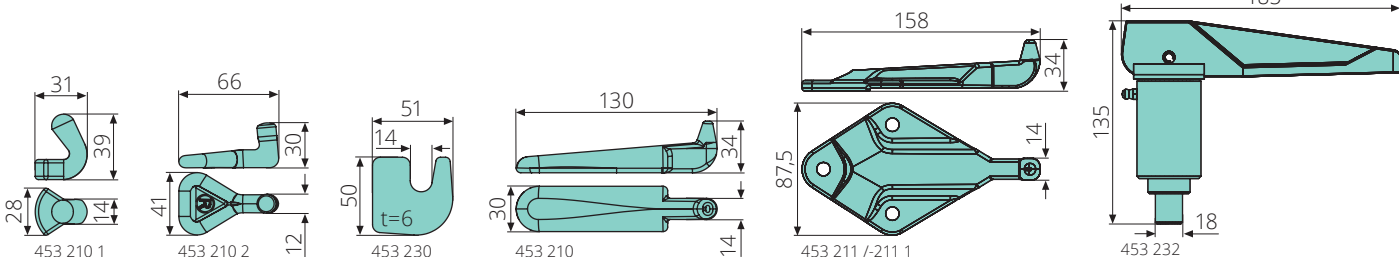
Article no.	Product	Description
453 220 1	Over centre lock	M12, stroke 35mm, with eye 453 219 02
453 213	Over centre lock	M12, stroke 20mm, with automatic safety latch, with padlock fitting, with eye 453 219
453 213 01	Over centre lock	M12, stroke 20mm, with automatic safety latch, with padlock fitting, with eye 453 219 01
453 219 02	Eye	M12, galvanized
453 219	Eye	M12
453 219 01	Eye	M12, galvanized, triangle



Article no.	Product	Description
453 215	Over centre lock	M10, stroke 35mm, galvanized, with padlock fitting, with eye 453 214
453 214	Eye	M10, forged, galvanized

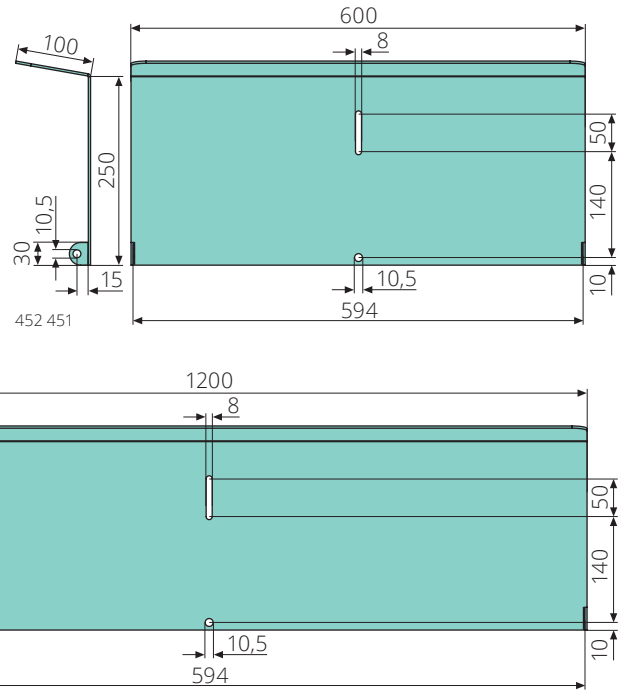
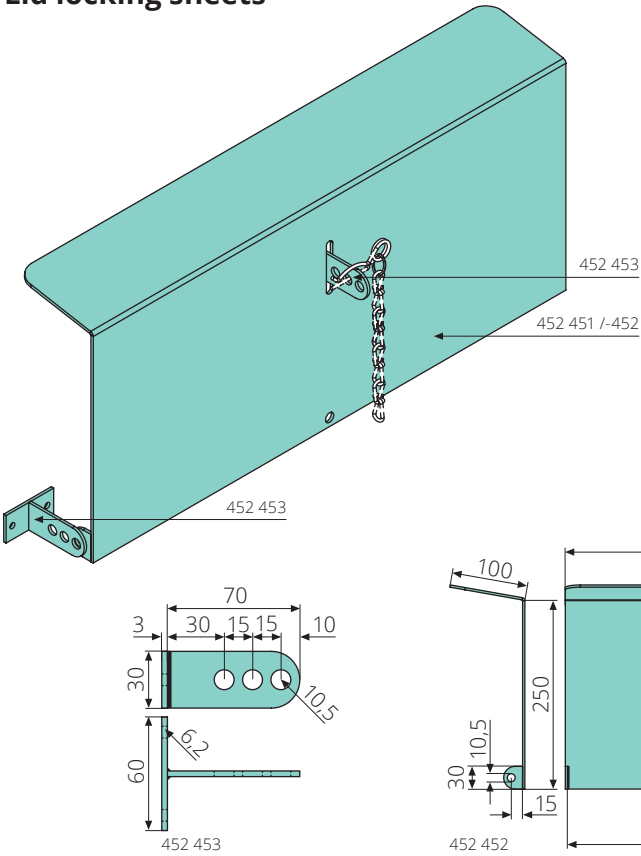


Article no.	Product	Description
453 222	Over centre lock	stroke 50mm, with automatic safety latch, Danish model
453 222 01	Over centre lock	stroke 50mm, with automatic safety latch, Danish model, galvanized
453 223	Counterhold for over centre locks	30x220mm, for over centre locks 453 222 /-222 01
453 223 2	Counterhold for over centre locks	30x72mm, for over centre locks 453 222 /-222 01, galvanized, for bolted mounting



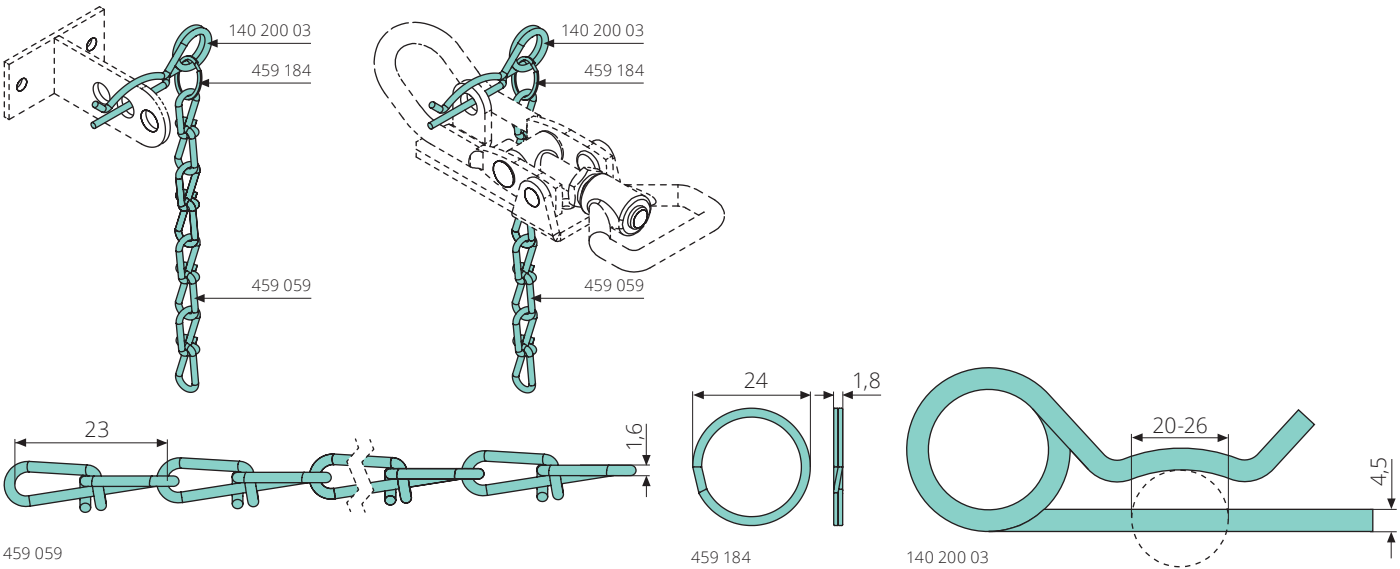
Article no.	Product	Description
453 210 1	Counterhold for over centre locks	D=14mm
453 210 2	Counterhold for over centre locks	D=12mm
453 230	Counterhold for over centre locks	t=6mm
453 210	Counterhold for over centre locks	D=14mm, forged
453 211	Counterhold for over centre locks	D=14mm, for bolted mounting, galvanized
453 211 1	Counterhold for over centre locks	D=14mm, for bolted mounting, cast steel
453 232	Spring bolt	D=18mm

Lid locking sheets



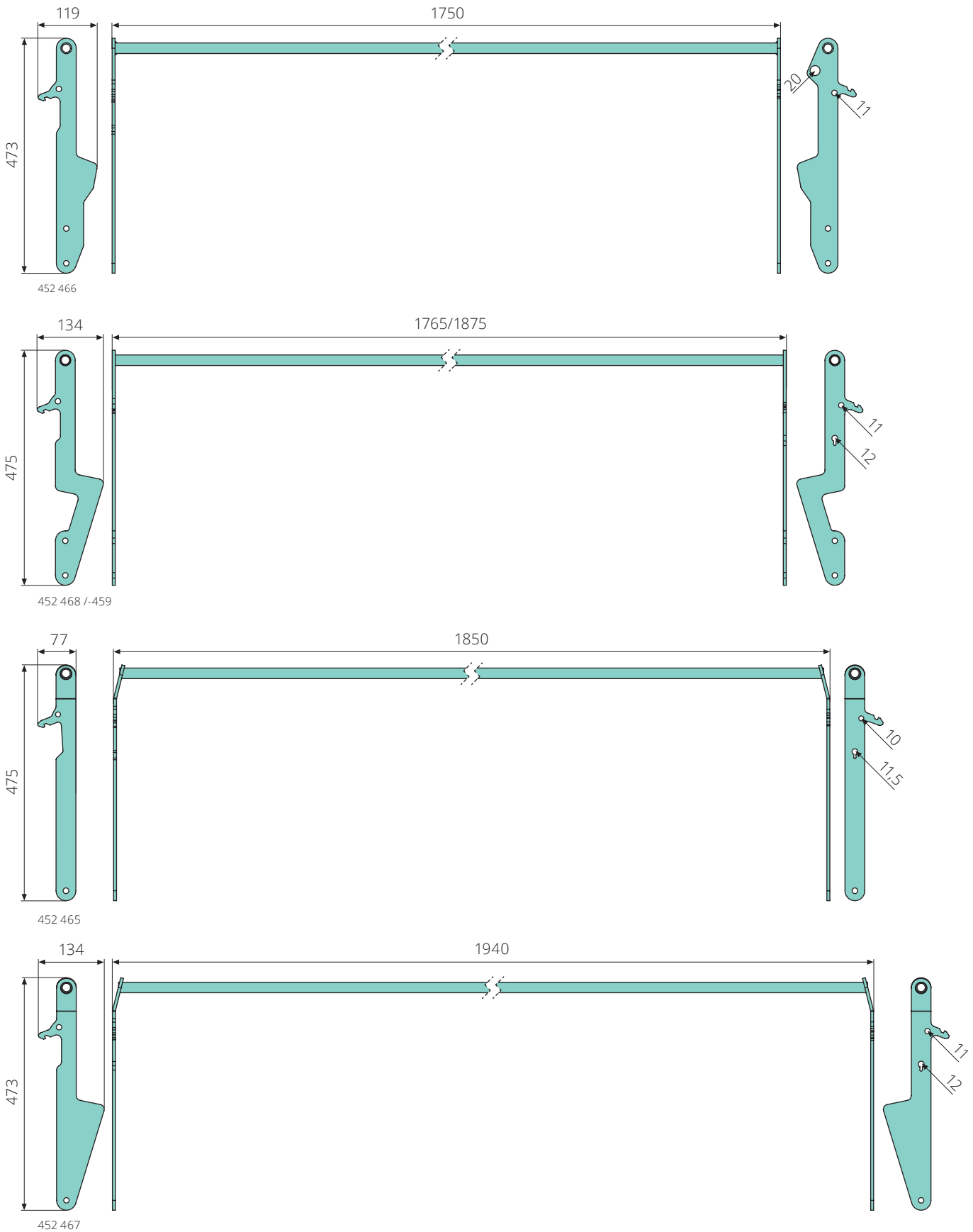
Article no.	Product	Description
452 451	Lid locking sheet	100x250x600mm, galvanized
452 452	Lid locking sheet	100x250x1200mm, galvanized
452 453	Bracket	30x60x70mm, galvanized

Retainer pin & accessories



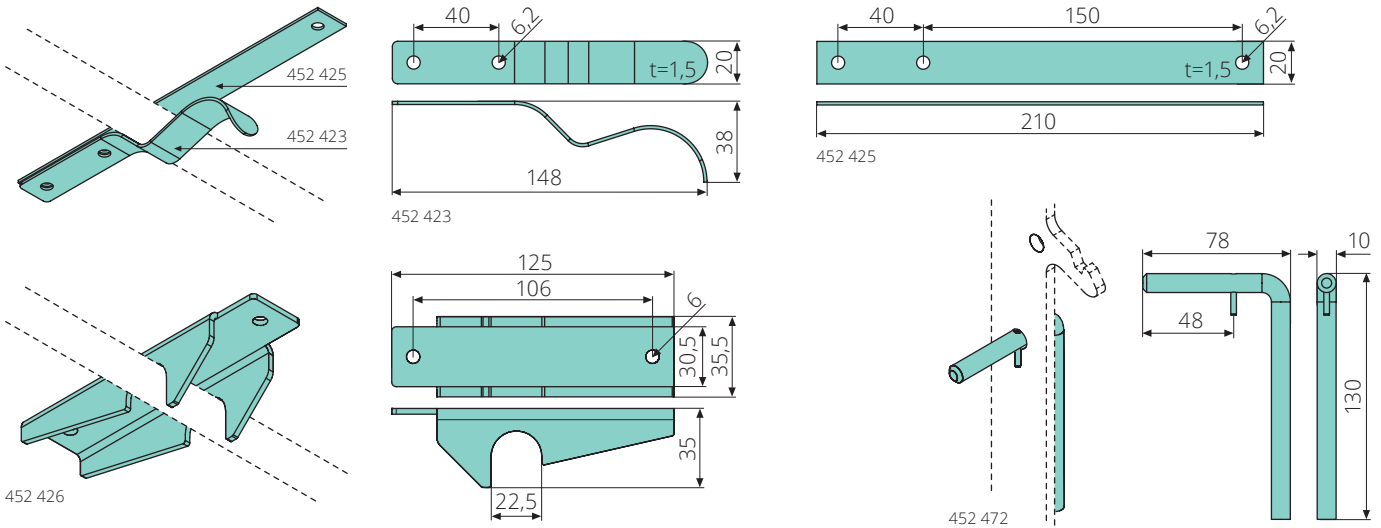
Article no.	Product	Description
459 059	Knotted chain	D=1,6mm, galvanized, DIN 5686, length according to specification
459 184	Key ring	24x1,8mm, rust free
140 200 03	Retainer pin	for shaft D=20-26mm, wire D=4,5mm, DIN 11024, form D, galvanized

Lid locking bars with round tubes



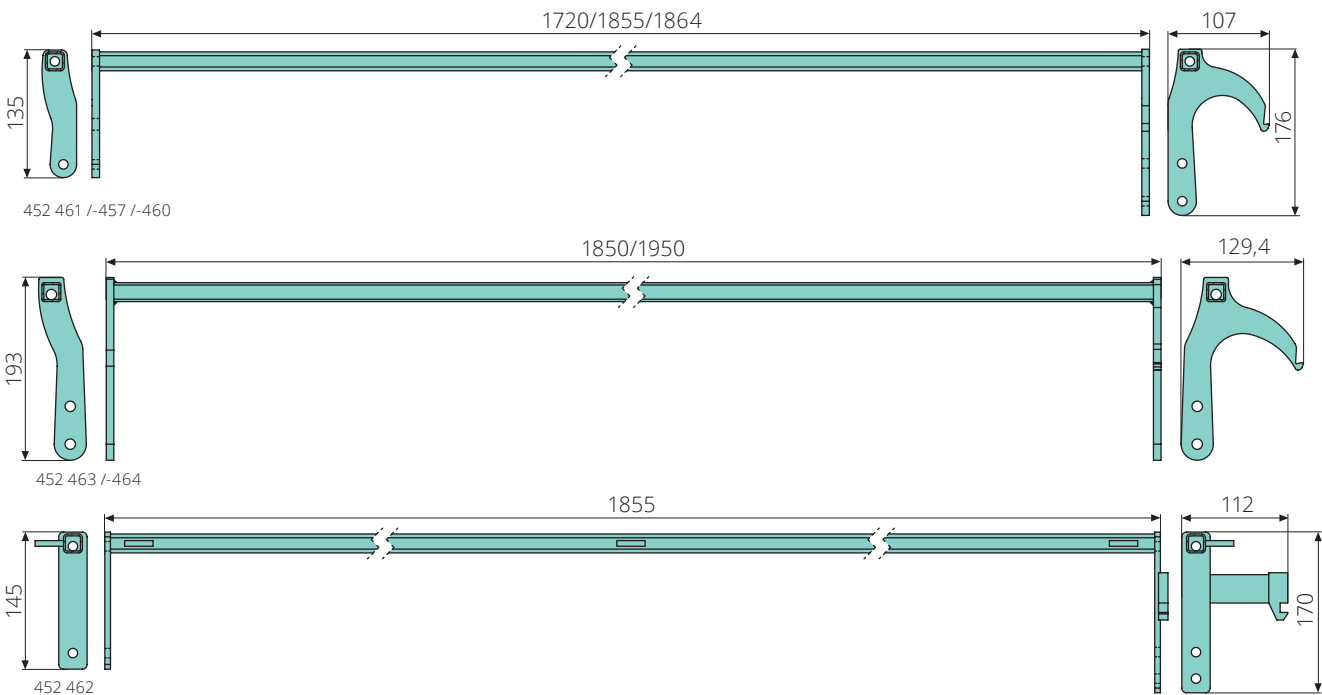
Article no.	Product	Description
452 466	Lid locking bar	1750x473mm, galvanized, round tube
452 468	Lid locking bar	1765x475mm, galvanized, round tube
452 465	Lid locking bar	1850x475mm, galvanized, round tube
452 459	Lid locking bar	1875x475mm, galvanized, round tube
452 467	Lid locking bar	1940x473mm, galvanized, round tube

Accessories for lid locking bars with round tubes



Article no.	Product	Description
452 423	Lid detent spring	20x148x1,5mm, galvanized, for bolted mounting, type IVB
452 425	Lid detent	20x210x1,5mm, galvanized, for bolted mounting, type IVB
452 426	Lid detent	35,5x125x35mm, galvanized, for bolted mounting
Article no.	Product	Description
452 472	Lock pin	130x78x10mm, galvanized, with spring pin

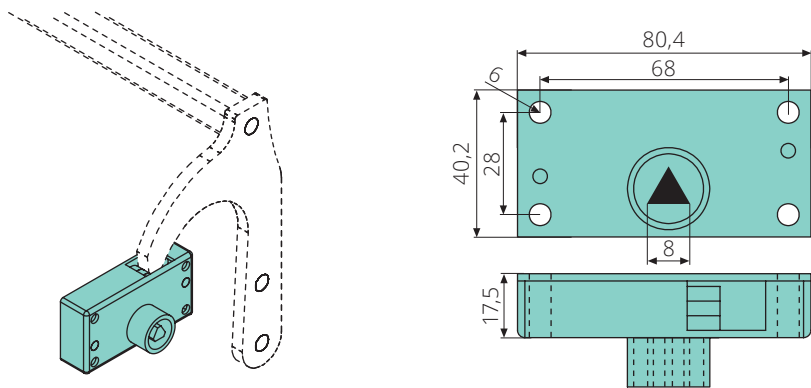
Lid locking bars with square tubes



Article no.	Product	Description
452 461	Lid locking bar	1720x176mm, galvanized, square tube
452 457	Lid locking bar	1864x176mm, galvanized, square tube
452 460	Lid locking bar	1864x176mm, galvanized, square tube
452 463	Lid locking bar	1850x193mm, galvanized, square tube
452 464	Lid locking bar	1950x193mm, galvanized, square tube
452 462	Lid locking bar	1855x170mm, galvanized, square tube

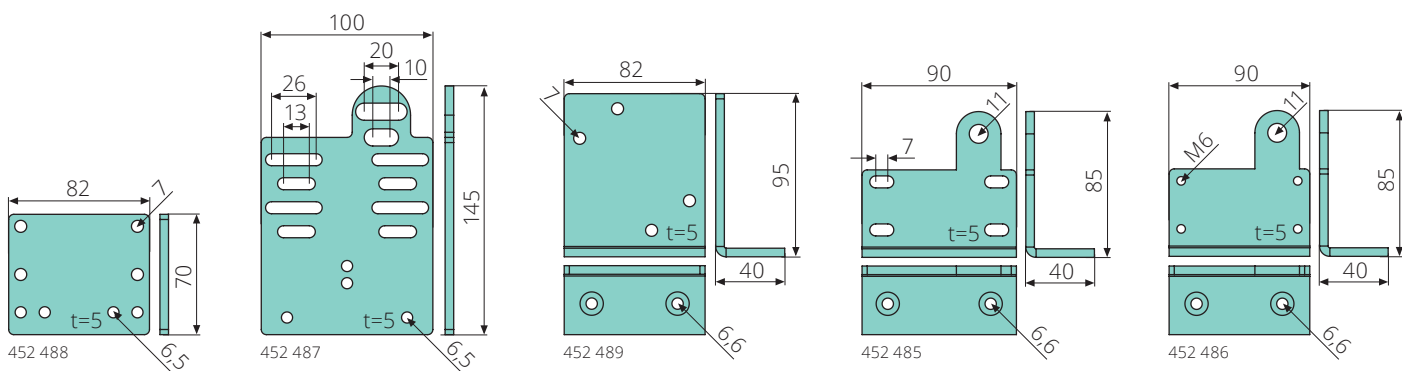
Lid locking bars with round tubes / Accessories / Lid locking bars with square tubes

Triangular locks / Mounting plates / Locking latches

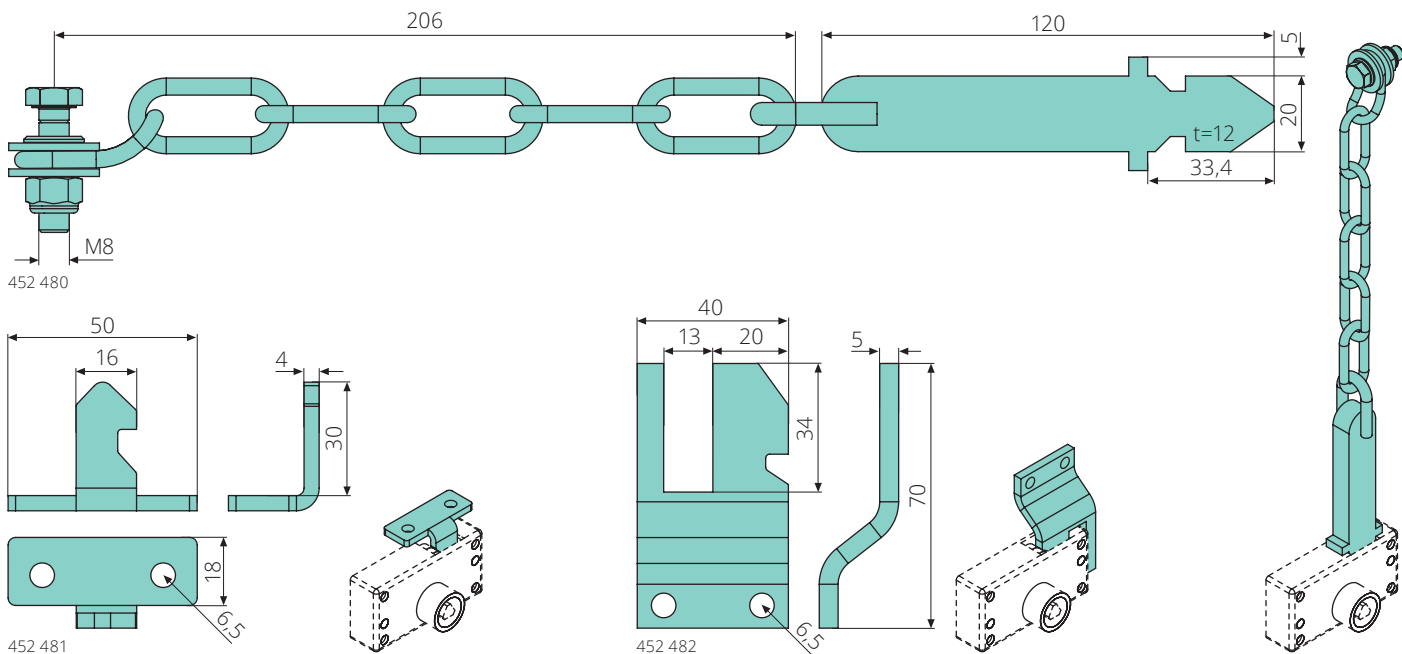


452 469 /-470

Article no.	Product	Description
452 469	Triangular lock	8mm, open-closed, galvanized
452 470	Triangular lock	8mm, automatic lock, galvanized

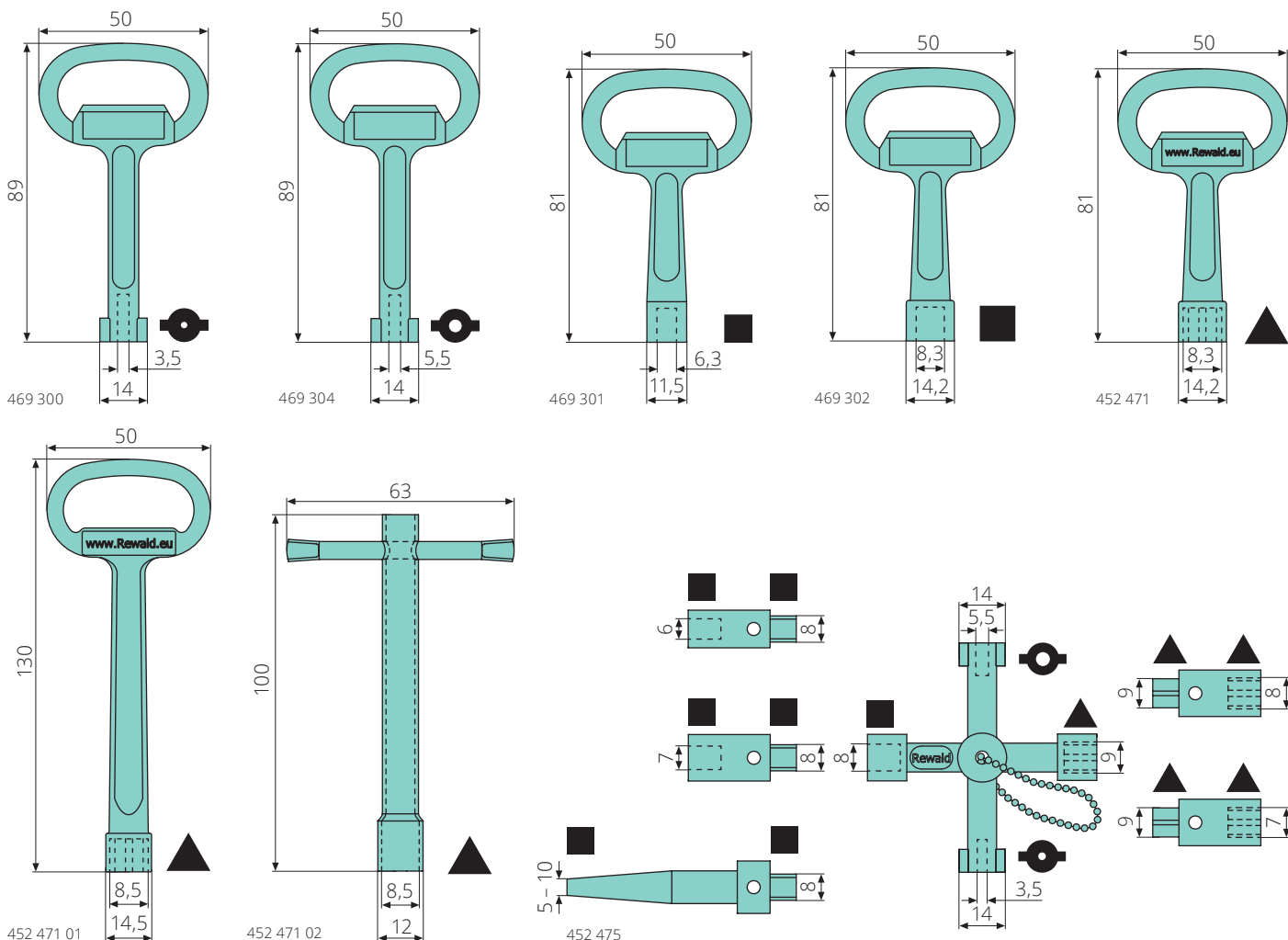


Article no.	Product	Description
452 488	Mounting plate	82x70x5mm, galvanized, straight
452 487	Mounting plate	100x145x5mm, galvanized, straight
452 489	Mounting plate	82x95x40x5mm, galvanized, mounting angle 52°, angled
452 485	Mounting plate	90x85x40x5mm, galvanized, angled
452 486	Mounting plate	82x85x40x5mm, galvanized, angled, with thread

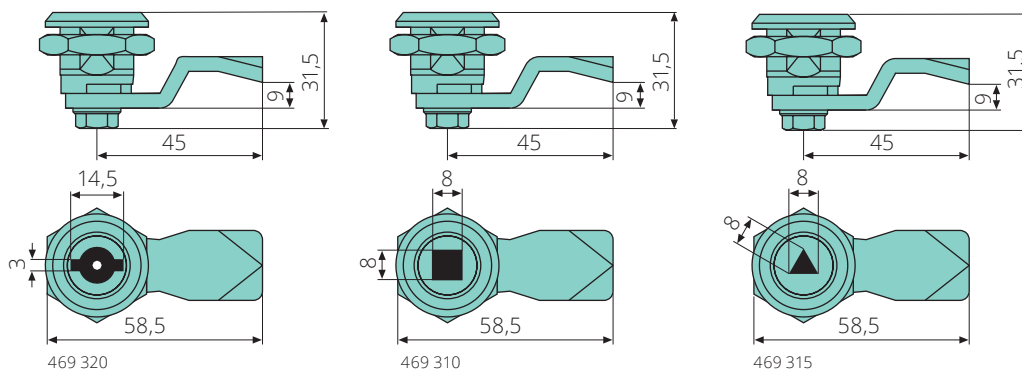


Article no.	Product	Description
452 480	Locking latch with chain	20x33,4x12mm, with screw, washers & nut, galvanised
452 481	Locking latch	16x30x4mm, galvanised
452 482	Locking latch	20x34x5mm, galvanised

Locks & keys

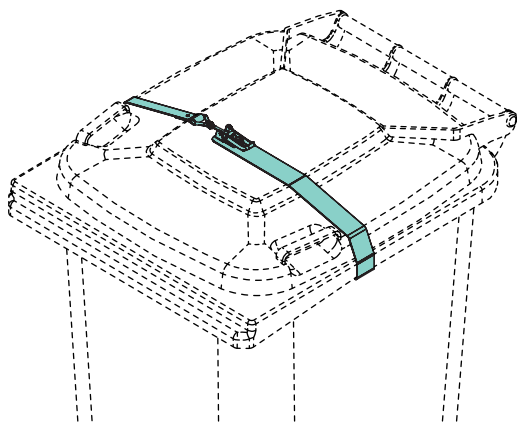


Article no.	Product	Description
469 300	Double bit key	3x14mm, L=89mm, zinc die casting
469 304	Double bit key	5x14mm, L=89mm, zinc die casting
469 301	Square key	6x11,5mm, L=81mm, internal, zinc die casting
469 302	Square key	8x14,2mm, L=81mm, internal, zinc die casting
452 471	Triangular key	8,3x14,2mm, internal, zinc die casting
452 471 01	Triangular key	8,5x14,5mm, internal, L=130mm, zinc die casting
452 471 02	Triangular key	8,5x12mm, internal, L=100mm, galvanized
452 475	Multi way key	zinc die casting, 9 functions, 5 adapters

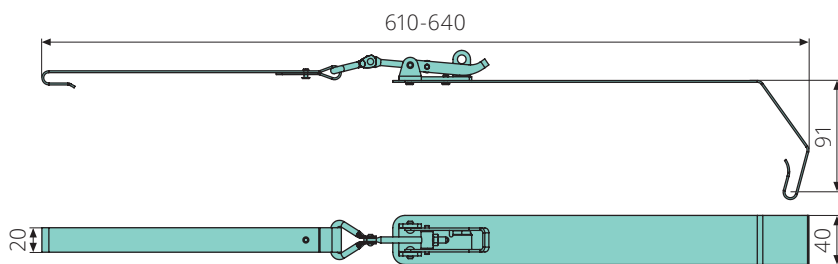


Article no.	Product	Description
469 320	Double bit lock	3mm, 45mm tongue, cranking 9mm, galvanized
469 310	Square lock	8mm, 45mm tongue, cranking 9mm, galvanized
469 315	Triangular lock	8mm, 45mm tongue, cranking 9mm, galvanized

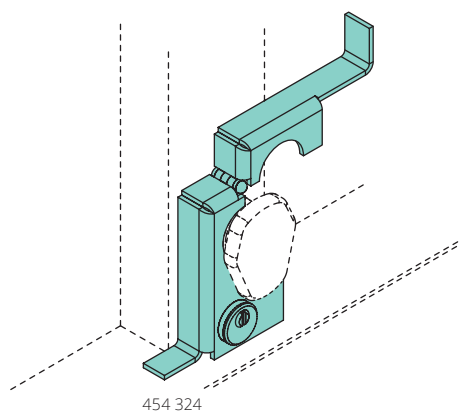
Anti theft and locking devices for waste bins and skips



452 410

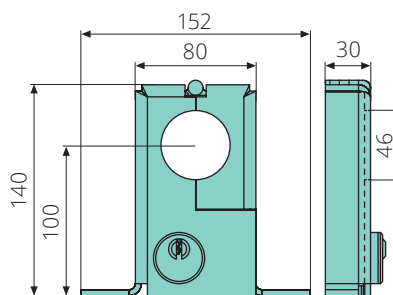


Article no.	Product	Description
452 410	Locking clasp for 240l wheelie bins	L= 610-640mm, over center lock galvanized, clasp stainless steel, with padlock fitting

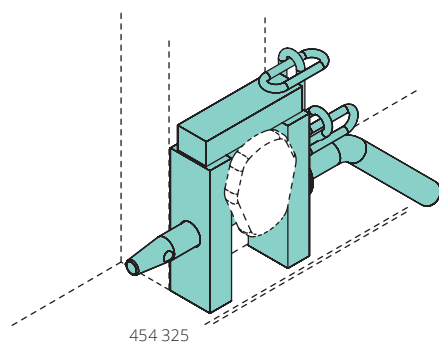


454 324

- With IKON locking cylinder & 2 keys
- Prevents unauthorised access after installation
- Available as a keyed alike version with surcharge

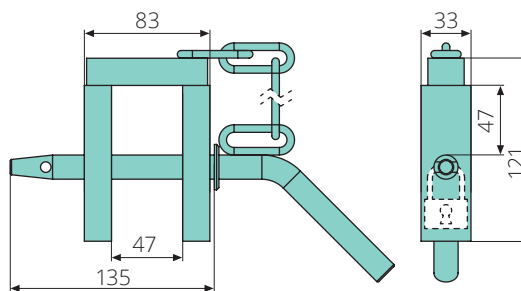


Article no.	Product	Description
454 324	Anti theft device	for skips, with locking cylinder type IKON & 2 keys, S355J2, galvanized



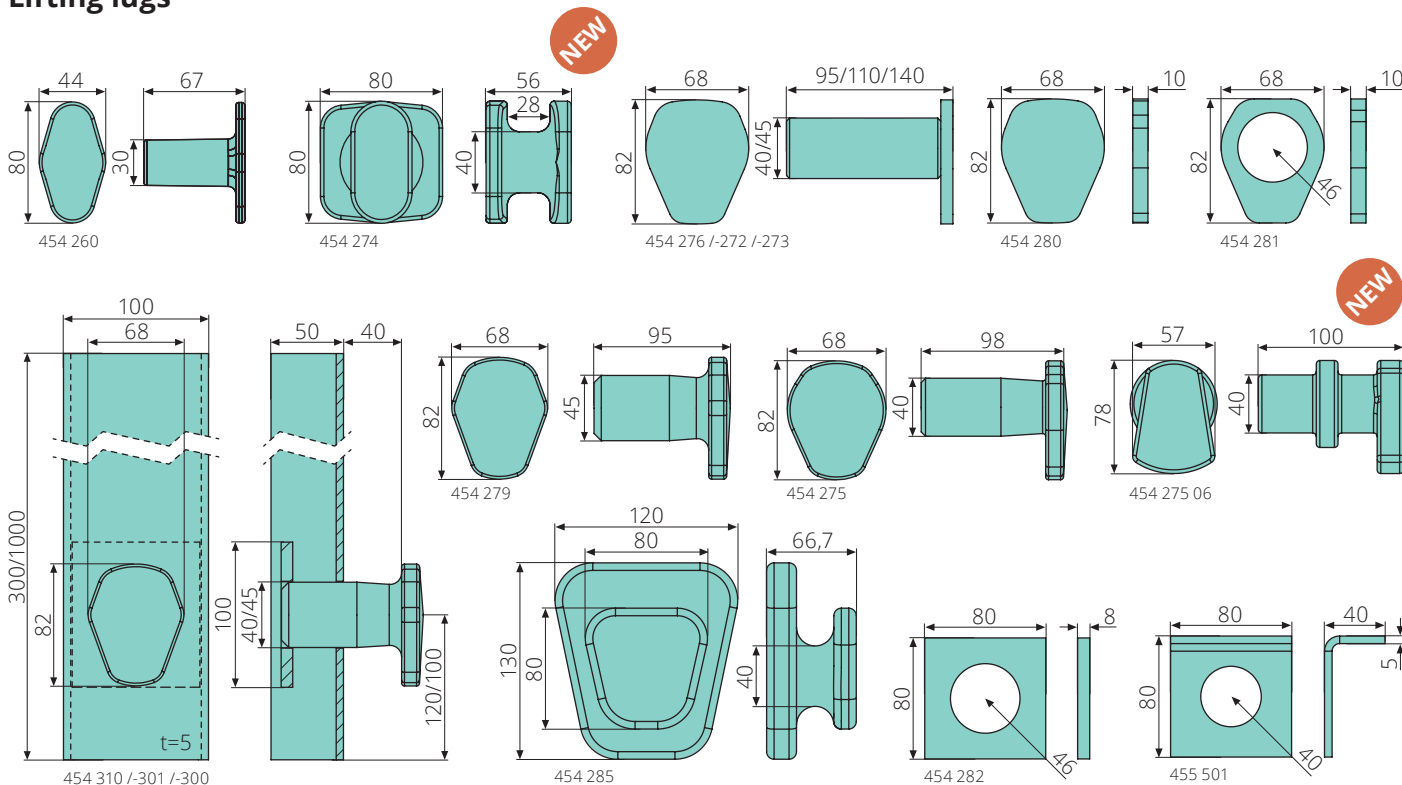
454 325

- Indicates occupied containers
- Can be secured against theft with a padlock

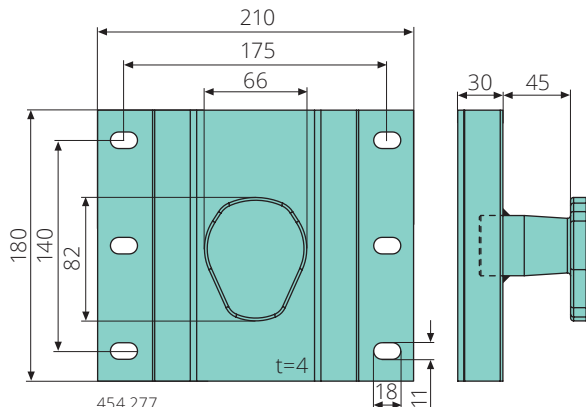
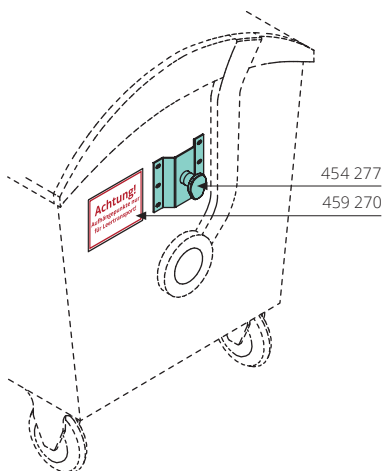


Article no.	Product	Description
454 325	Anti theft device	for skips, S355J2, galvanized

Lifting lugs



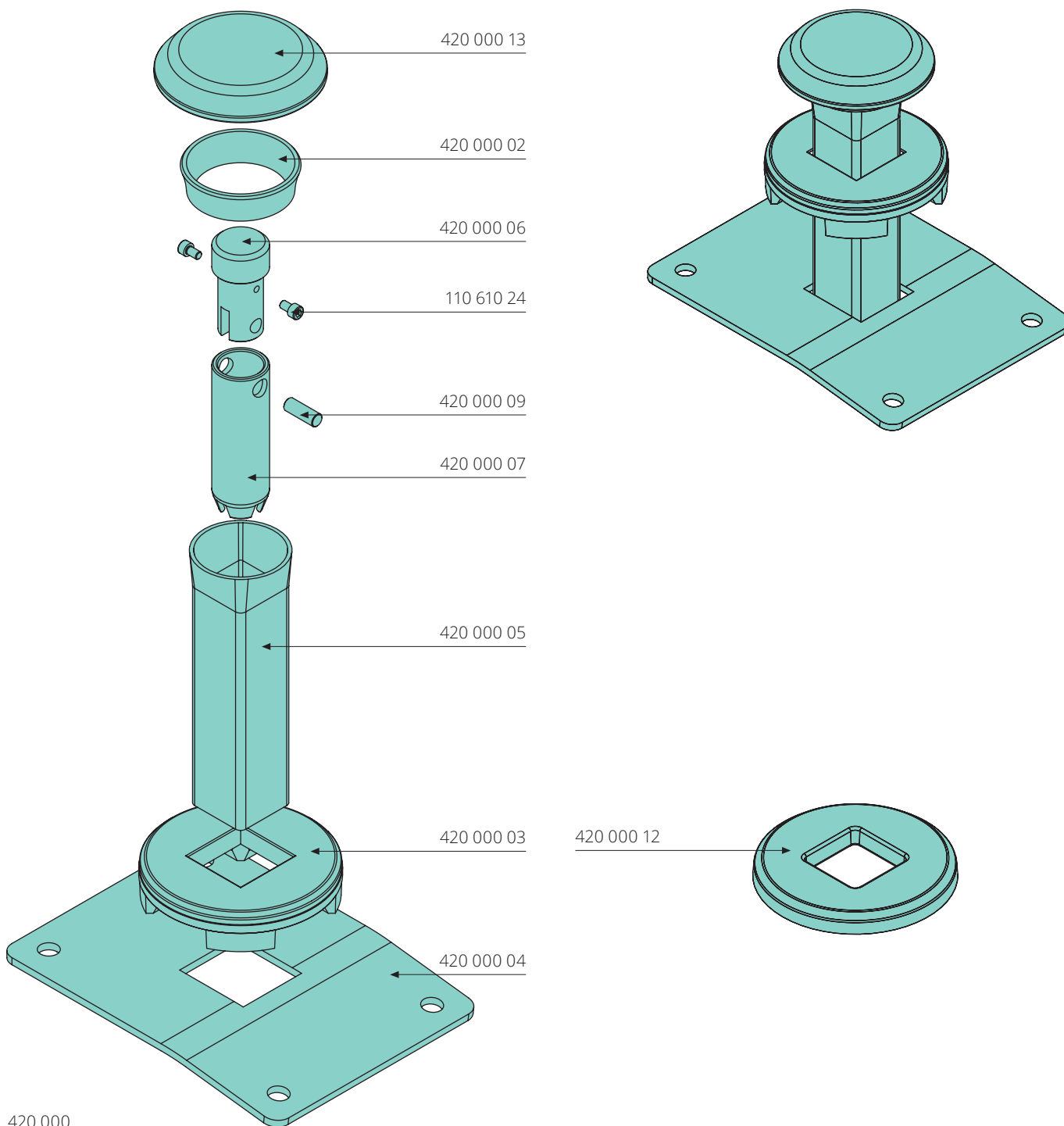
Article no.	Product	Description
454 260	Lifting lug	30x67x80mm, forged, type DAUTEL
454 274	Lifting lug	40x56x80mm, forged
454 285	Lifting lug	40x66,7x130mm, forged
454 310	Profile with lifting lug	40x1000x100x50mm, forged lug
454 276	Lifting lug	40x110x82mm, welded
454 275	Lifting lug	40x98x84mm, forged
454 275 06	Lifting lug	40x100x78mm, forged
454 301	Profile with lifting lug	45x300x100x50mm, forged lug
454 300	Profile with lifting lug	45x1000x100x50mm, forged lug
454 279	Lifting lug	45x95x82mm, forged, according to DIN
454 272	Lifting lug	45x110x82mm, welded
454 273	Lifting lug	45x140x82mm, welded
454 280	Plate	82x68x10mm, for lifting lugs
454 281	Plate	82x68x10mm, for lifting lugs, d=46mm
454 282	Plate	80x80x8mm, for lifting lugs, d=46mm
455 501	Lashing eye	80x80x40mm, for lashing stacked skips, d=40mm



Article no.	Product	Description
454 277	Lifting lug	40x90x180mm, galvanized, lug S355J2, only suitable for transport of empty containers

Article no.	Product	Description
459 270	PVC sticker "Aufhängepunkte nur für Leertransport"	210x150mm, 2 stickers/sheet

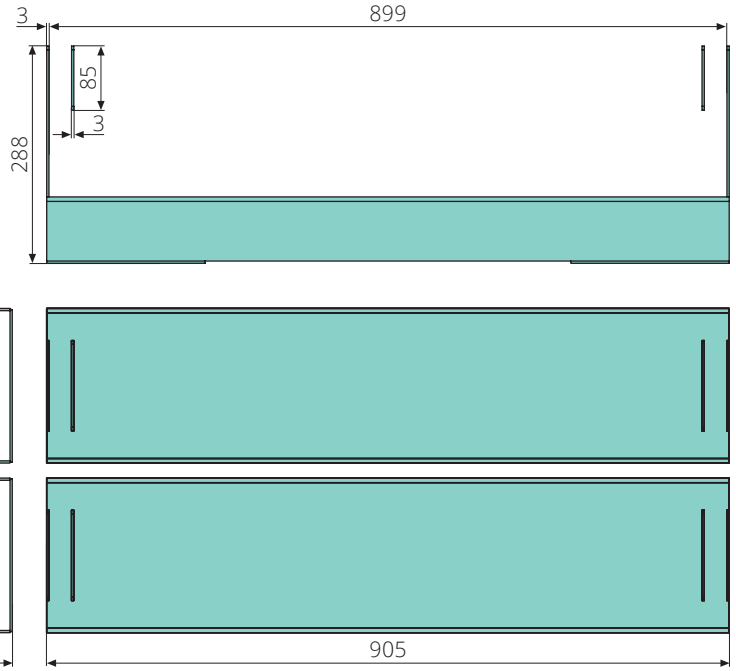
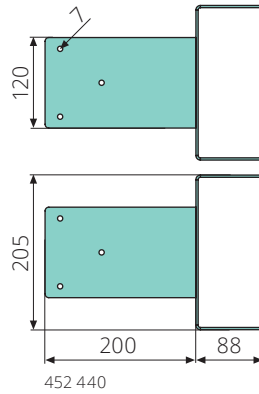
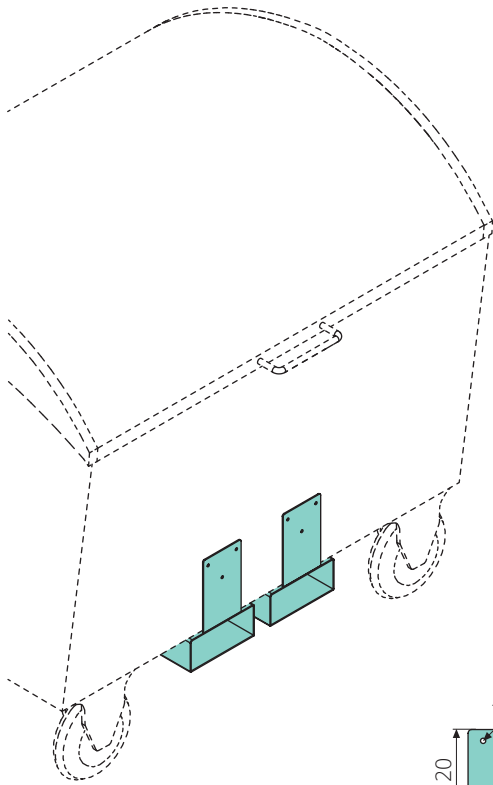
Lifting plug for underfloor containers



420 000

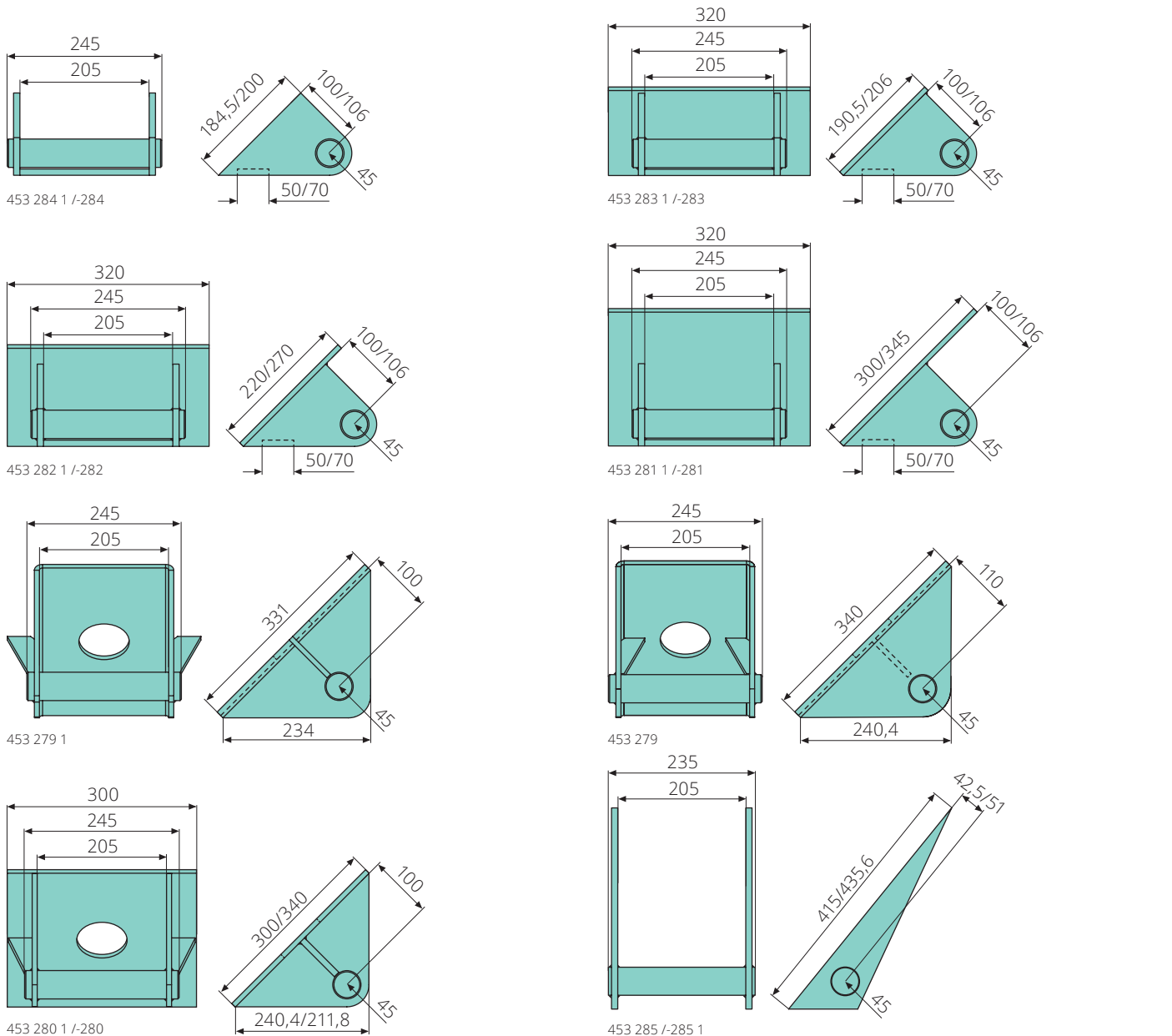
Article no.	Product	Description
420 000	Lifting plug for grab complete	
420 000 13	Cap	120x20mm, forged
420 000 02	Ring	65/75-74/84-23mm
420 000 06	Bolt	40x75mm
110 610 24	Cylinder head bolt	M6x10mm, galvanized, ISO 4762, 8.8
420 000 09	Cylinder pin	10x30mm
420 000 07	Pipe	40x130mm
420 000 05	Square pipe	50x50x240mm
420 000 03	Detent ring	141x32mm, forged
420 000 04	Mounting plate	200x271x6mm
Article no.	Product	Description
420 000 12	Washer	141x15mm, forged

Set of forklift cradles

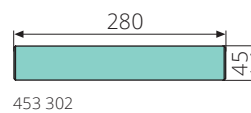
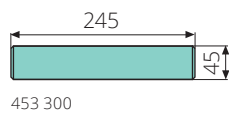


Article no.	Product	Description
452 440	Set of forklift cradles	205x288x905mm, galvanized, with 2 cradles & 4 counter plates

Tipping bar brackets

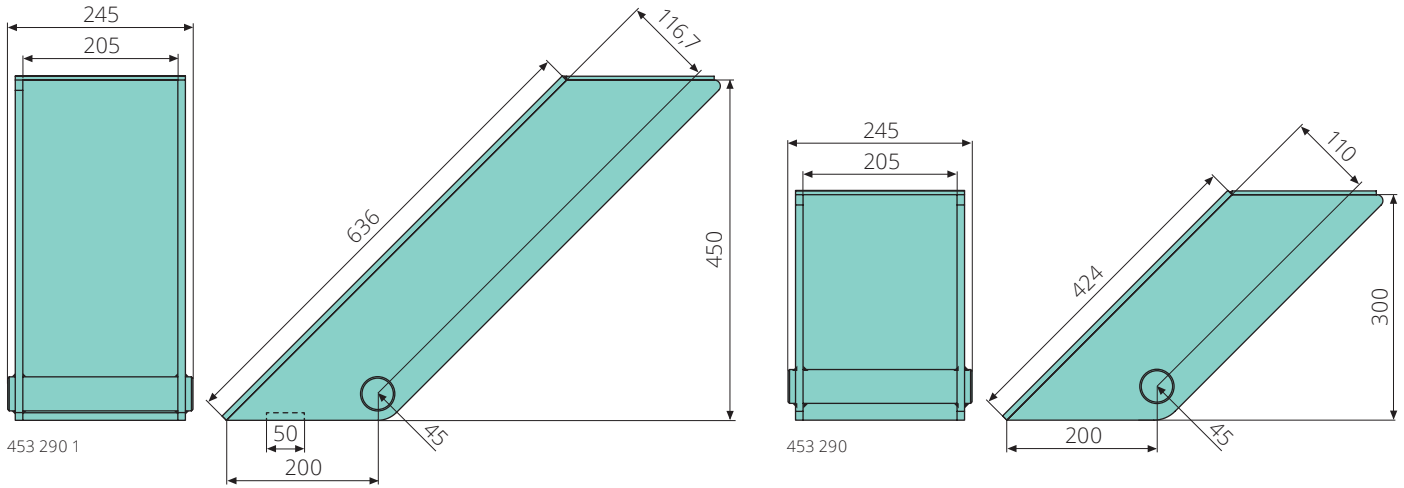


Article no.	Product	Description
453 284 1	Tipping bar bracket	245x184,5mm, without base plate, in individual parts, bolt S355J2
453 284	Tipping bar bracket	245x200mm, without base plate, in individual parts, bolt S355J2
453 283 1	Tipping bar bracket	320x190,5x8mm, bolt S355J2
453 283	Tipping bar bracket	320x206x8mm, bolt S355J2
453 282 1	Tipping bar bracket	320x220x8mm, bolt S355J2
453 282	Tipping bar bracket	320x270x8mm, bolt S355J2
453 281 1	Tipping bar bracket	320x300x8mm, bolt S355J2
453 281	Tipping bar bracket	320x345x8mm, bolt S355J2
453 279 1	Tipping bar bracket	245x331x8mm, bolt S355J2
453 279	Tipping bar bracket	245x340x8mm, bolt S355J2
453 280 1	Tipping bar bracket	300x300x8mm, bolt S355J2
453 280	Tipping bar bracket	300x340x8mm, bolt S355J2
453 285	Tipping bar bracket	235x415mm, without base plate, S355J2
453 285 1	Tipping bar bracket	235x435,6mm, without base plate, S355J2



Article no.	Product	Description
453 300	Tipping bar shaft	45x245mm, S355J2
453 302	Tipping bar shaft	45x280mm, S355J2

Tipping bar brackets

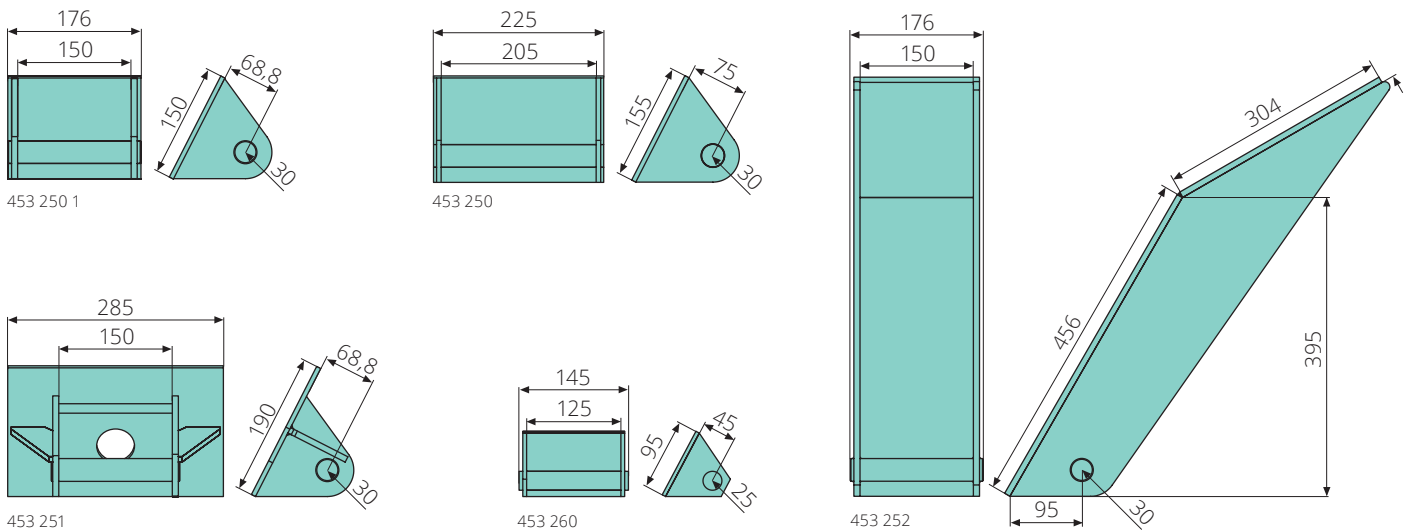


Article no.	Product	Description
453 290 1	Tipping bar bracket	245x636x8mm, internal mounting, bolt S355J2
453 290	Tipping bar bracket	245x424x8mm, internal mounting, bolt S355J2



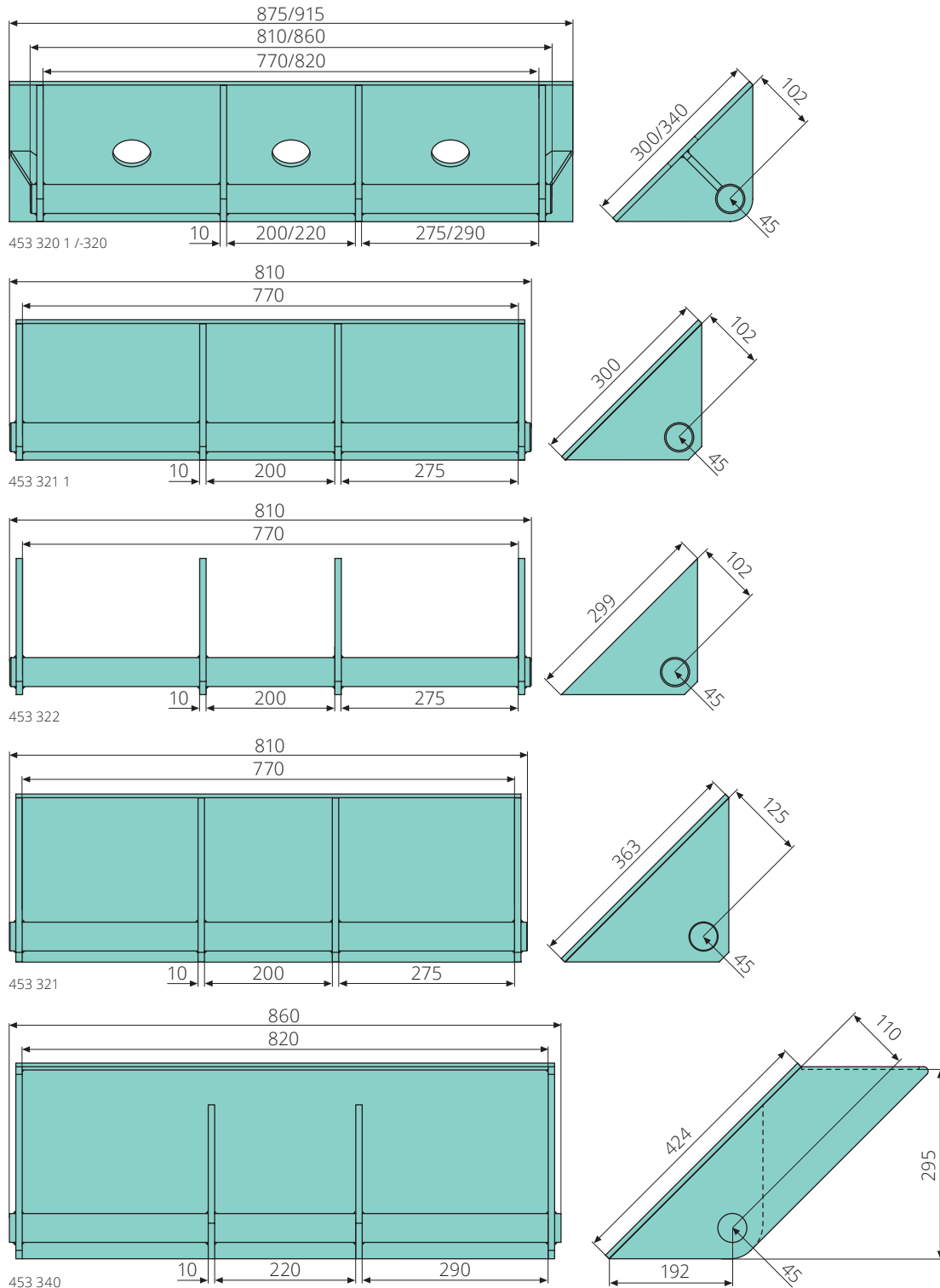
Article no.	Product	Description
453 300	Tipping bar shaft	45x245mm, S355J2
453 302	Tipping bar shaft	45x280mm, S355J2

Tipping bar brackets for mini skips

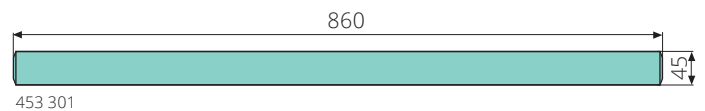
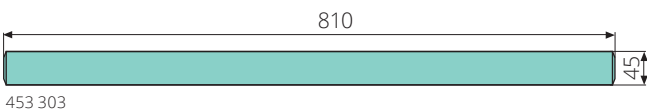


Article no.	Product	Description
453 250 1	Tipping bar bracket	176x150x6mm, for mini skips, bolt S355J2
453 250	Tipping bar bracket	225x155x6mm, for mini skips, bolt S355J2
453 251	Tipping bar bracket	285x190x6mm, for mini skips, bolt S355J2
453 260	Tipping bar bracket	145x95x5mm, for mini skips, bolt S355J2, type DAUTEL
453 252	Tipping bar bracket	176x456x8mm, for mini skips, internal mounting, bolt S355J2

Triple tipping bar brackets



Article no.	Product	Description
453 320 1	Triple tipping bar bracket	875x300x8mm, bolt S355J2
453 320	Triple tipping bar bracket	915x340x8mm, bolt S355J2
453 321 1	Triple tipping bar bracket	810x300x8mm, bolt S355J2
453 322	Triple tipping bar bracket	810x299mm, without base plate, bolt S355J2
453 321	Triple tipping bar bracket	810x363x8mm, bolt S355J2
453 340	Triple tipping bar bracket	860x424x8mm, internal mounting, bolt S355J2



Article no.	Product	Description
453 303	Tipping bar shaft	45x810mm, S355J2
453 301	Tipping bar shaft	45x860mm, S355J2

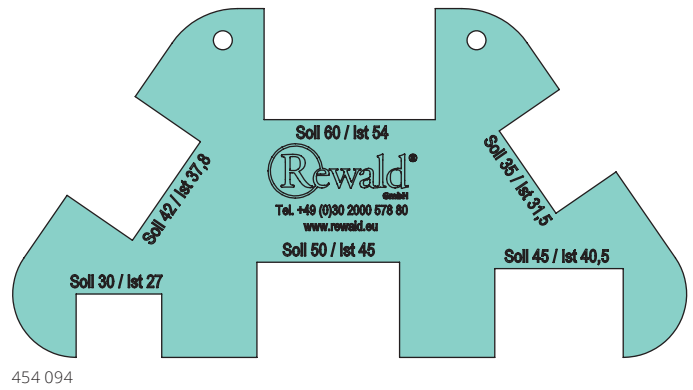
Wear gauge for container inspection according to DIN (wear limit of 10%)

6 gap gauges for checking admissible wear limits of 10% according to DIN 30735, DIN 30720-1/-2 & DIN 30722-1/-2/-3:

- Lifting bars on roll-off containers & mobile compactors
- Tipping bolts on skips
- Lifting lugs on skips

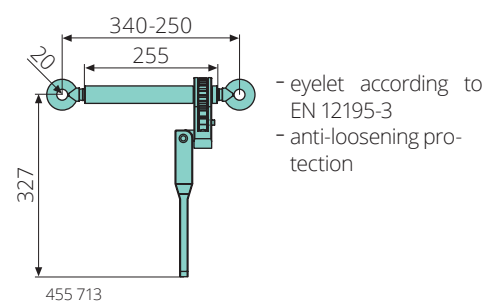
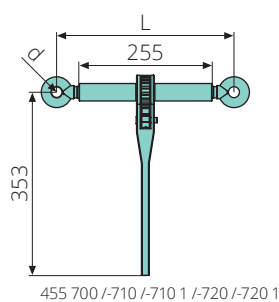
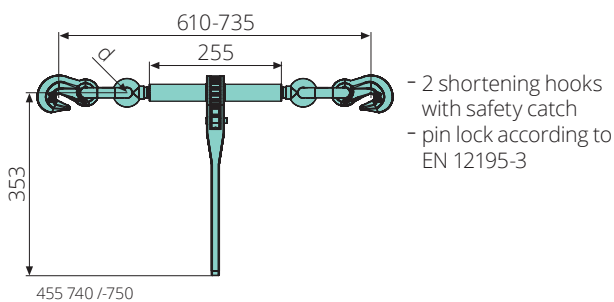
The wear gauge enables a quick & secure check of the above named components within the framework of container inspections. Select the respective gap gauge according to the nominal dimension for the lifting bar, tipping bolt or lifting lug. If it is possible to slide the gauge over the diameter of the tested part, it no longer conforms with safety requirements. Holes for filing away.

Utility model DE 20 2009 002 403.2



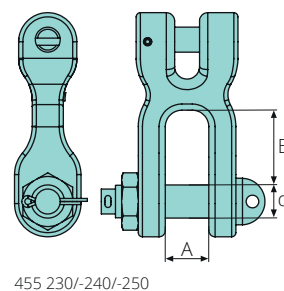
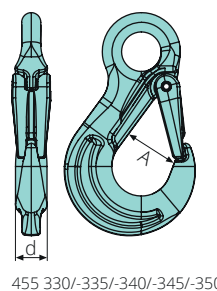
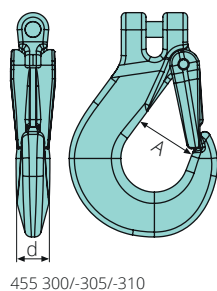
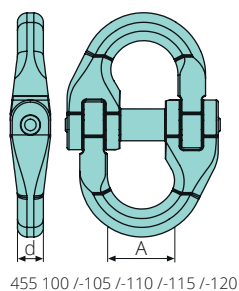
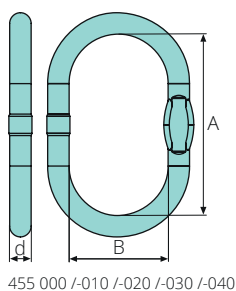
Article no.	Product	Description
454 094	Wear gauge	V4A plate, for checking a wear limit of 10% according to DIN

Ratchet load binders



Article no.	Product	Description	NG	LC	MBL	L min-max	d
455 740	Ratchet load binder with hooks	455 740 /-750 painted red	10	6.300daN	12.600daN	610-735mm	20mm
455 750	Ratchet load binder with hooks	455 750 /-750 painted red	13	10.000daN	20.000daN	610-735mm	26mm
455 700	Ratchet load binder	455 700 /-710 painted red	8	4.000daN	8.000daN	320-480mm	20mm
455 710	Ratchet load binder	455 710 /-710 1 painted red	10	6.300daN	12.600daN	340-520mm	20mm
455 713	Ratchet load binder with foldable handle	455 713 /-720 painted red	10	6.300daN	12.600daN	340-520mm	20mm
455 710 1	Ratchet load binder	455 710 1 /-720 1 galvanized	10	6.300daN	12.600daN	340-520mm	20mm
455 720	Ratchet load binder	455 720 /-720 painted red	13	10.000daN	20.000daN	360-530mm	26mm
455 720 1	Ratchet load binder	455 720 1 /-720 1 galvanized	13	10.000daN	20.000daN	360-530mm	26mm

Cargo securing



Article no.	Product	Description	NG	A	B	d	WLL
455 000	Suspension link	GK 8, according to EN-1677-4	6	110mm	60mm	13mm	1,6t
455 010	Suspension link	GK 8, according to EN-1677-4	8	110mm	60mm	16mm	2,12t
455 020	Suspension link	GK 8, according to EN-1677-4	10	135mm	75mm	18mm	3,15t
455 030	Suspension link	GK 8, according to EN-1677-4	13	160mm	90mm	22mm	5,3t
455 040	Suspension link	GK 8, according to EN-1677-4	16	180mm	100mm	26mm	8t

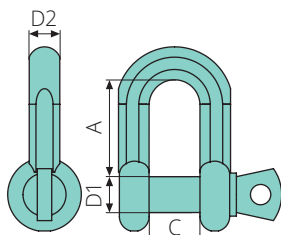
Article no.	Product	Description	NG	A	d	WLL
455 100	Coupling	GK 8	6	18mm	7,6mm	1,12t
455 105	Coupling	GK 8	8	23mm	10mm	2t
455 110	Coupling	GK 8	10	27mm	12,6mm	3,15t
455 115	Coupling	GK 8	13	34mm	16,7mm	5,3t
455 120	Coupling	GK 8	16	39mm	21mm	8t

Article no.	Product	Description	NG	A	d	WLL
455 300	Clevis load hook	GK 8, forged safety latch	6	26mm	15mm	1,12t
455 305	Clevis load hook	GK 8, forged safety latch	8	34mm	19mm	2t
455 310	Clevis load hook	GK 8, forged safety latch	10	40mm	25mm	3,15t

Article no.	Product	Description	NG	A	d	WLL
455 330	Eye load hook	GK 8, forged safety latch	6	25mm	16,5mm	1,12t
455 335	Eye load hook	GK 8, forged safety latch	8	33mm	19mm	2t
455 340	Eye load hook	GK 8, forged safety latch	10	40mm	26mm	3,15t
455 345	Eye load hook	GK 8, forged safety latch	13	51mm	33mm	5,3t
455 350	Eye load hook	GK 8, forged safety latch	16	55mm	40mm	8t

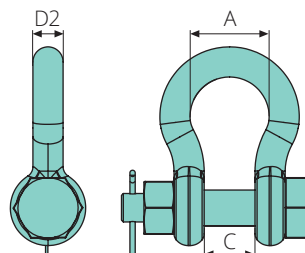
Article no.	Product	Description	NG	A	B	d	WLL
455 230	Clevis shackle	GK 8	10	21mm	36mm	16mm	3,15t
455 240	Clevis shackle	GK 8	13	27mm	49mm	20mm	5,3t
455 250	Clevis shackle	GK 8	16	33mm	56mm	24mm	8t

Cargo securing



455 600 /-605 /-610 /-615

- extra strong
- with screw bolt
- minimum 5-fold safety
- hot-dip galvanised bracket
- bolt painted

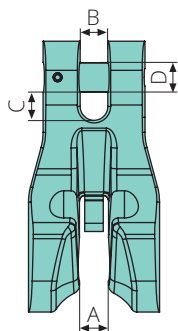


455 630 /-635 /-640 /-645 /-650 /-655

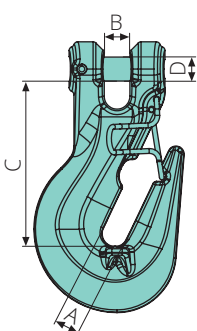
- extra strong
- with nut & split pin
- minimum 5-fold safety
- hot-dip galvanised bracket
- bolt painted

Article no.	Product	NG	WLL	A	C	D1	D2
455 600	Shackle	5/8"	3,25t	51mm	27mm	20mm	16mm
455 605	Shackle	3/4"	4,75t	60mm	32mm	22mm	19mm
455 610	Shackle	7/8"	6,5t	71mm	36mm	27mm	22mm
455 615	Shackle	1"	8,5t	81mm	43mm	28mm	25mm

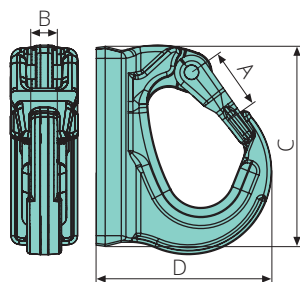
Article no.	Product	NG	WLL	A	C	D1	D2
455 630	Shackle curved	3/8"	1t	26mm	16mm	12mm	10mm
455 635	Shackle curved	5/8"	3,25t	43mm	27mm	20mm	16mm
455 640	Shackle curved	3/4"	4,75t	51mm	32mm	22mm	19mm
455 645	Shackle curved	7/8"	6,5t	58mm	36mm	27mm	22mm
455 650	Shackle curved	1"	8,5t	68mm	43mm	28mm	25mm
455 655	Shackle curved	1 1/8"	9,5t	74mm	46mm	33mm	29mm



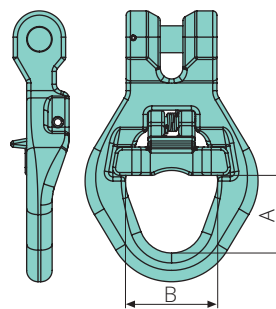
455 405 /-410 /-415



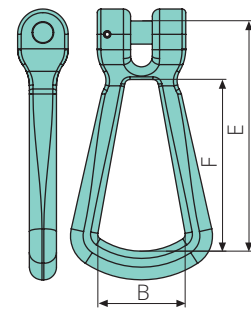
455 450 /-455 /-460 /-465



455 565 /-570 /-575



455 355 /-360



455 535 /-340

Article no.	Product	Description	NG	A/B	C	D	WLL
455 405	Shortening cleat	GK 8, with clevis & safety latch	8	9,5mm	10mm	10mm	2t
455 410	Shortening cleat	GK 8, with clevis & safety latch	10	12mm	14,5mm	13mm	3,15t
455 415	Shortening cleat	GK 8, with clevis & safety latch	13	16mm	18mm	16mm	5,3t

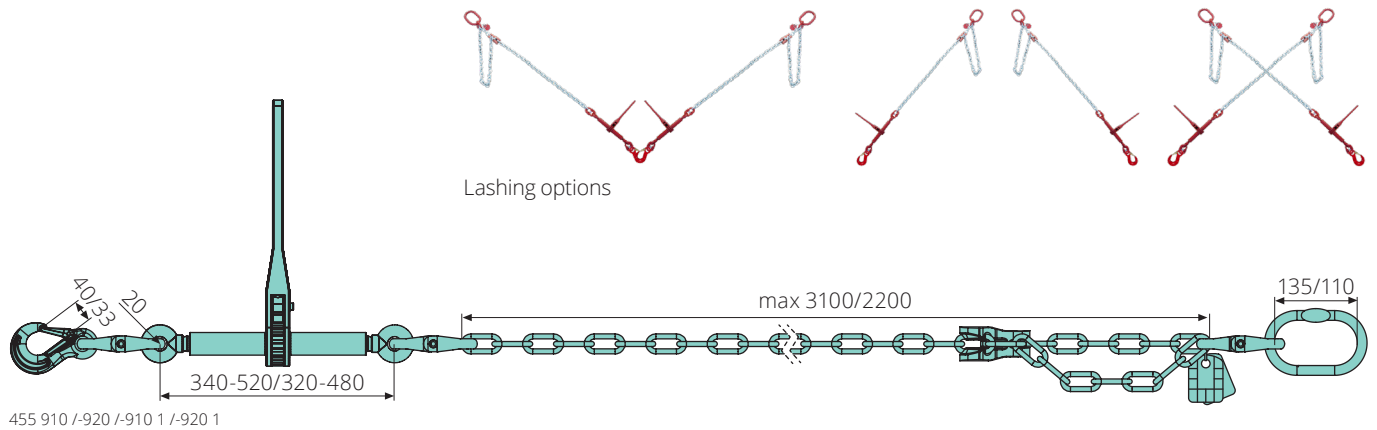
Article no.	Product	Description	NG	A/B	C	D	WLL
455 450	Shortening hook	GK 8, with clevis & safety latch	6	8mm	51mm	7,5mm	1,12t
455 455	Shortening hook	GK 8, with clevis & safety latch	8	10mm	65mm	10mm	2t
455 460	Shortening hook	GK 8, with clevis & safety latch	10	13mm	80mm	13mm	3,15t
455 465	Shortening hook	GK 8, with clevis & safety latch	13	17mm	105mm	16mm	5,3t

Article no.	Product	Description	A	B	C	D	WLL
455 565	Weld-on hook	GK 8	30,5mm	24mm	129mm	106mm	3t
455 570	Weld-on hook	GK 8	34,5mm	30mm	171mm	136mm	5t
455 575	Weld-on hook	GK 8	34,5mm	39mm	177mm	140mm	8t

Article no.	Product	Description	NG	A	B	WLL
455 355	Lifting eye	GK 8, with clevis, forged safety latch	13	57mm	65mm	5,3t
455 360	Lifting eye	GK 8, with clevis, forged safety latch	16	57mm	65mm	8t

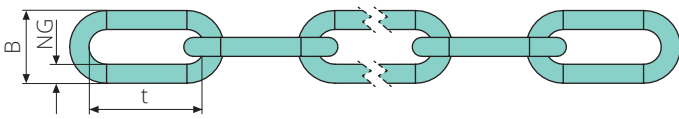
Article no.	Product	Description	NG	B	E	F	WLL
455 535	Lifting link	GK 8, for mini skip, with clevis	10	49mm	126mm	95mm	3,15t
455 540	Lifting link	GK 8, for mini skip, with clevis	13	60mm	158,5mm	120mm	5,3t

Container lashing / Lashing chains



455 910 /-920 /-910 1 /-920 1

Article no.	Product	Description
455 910	Container lashing	NG 10, GK 8, lashing capacity 6.300daN, maximum effective length 3100mm/strand
455 920	Container lashing	NG 10, GK 8, lashing capacity 6.300daN, maximum effective length 2200m/strand
455 910 1	Container lashing	NG 8, GK 8, lashing capacity 6.300daN, maximum effective length 3100m/strand
455 920 1	Container lashing	NG 8, GK 8, lashing capacity 6.300daN, maximum effective length 2200m/strand



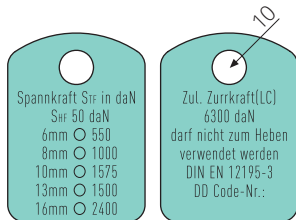
455 805 /-810 /-815 /-820 /-825

- Chains tested, not containing gauges
- Corrosion-resistant, silver-coloured surface
- Chains for installation in container lashing

Article no.	Product	Description	B	NG	t	WLL
455 805	Lashing chain	EN 818-2	21,6	6	18	1,12t
455 810	Lashing chain	EN 818-2	28,8	8	24	2t
455 815	Lashing chain	EN 818-2	36	10	30	3,15t
455 820	Lashing chain	EN 818-2	46,8	13	39	5,3t
455 825	Lashing chain	EN 818-2	57,6	16	48	8t



455 830



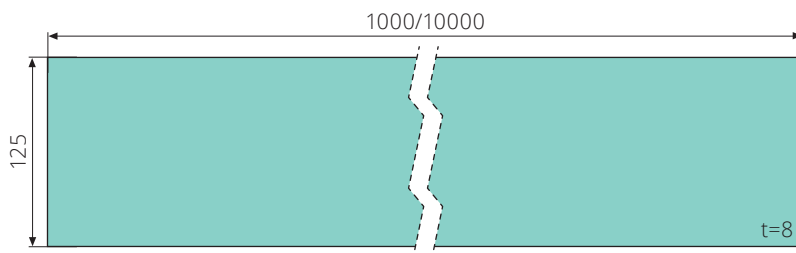
455 831

Article no.	Product	Description
455 830	Inspection badge	for lashing chain GK 8
455 831	Inspection badge	for lashing chain GK 8, lashing force

Anti-slip mats

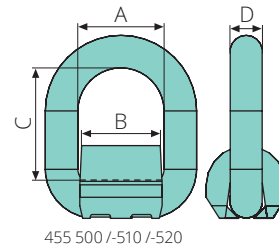
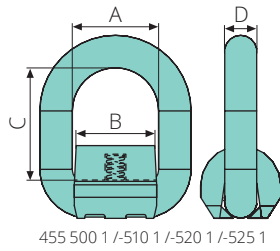


455 981

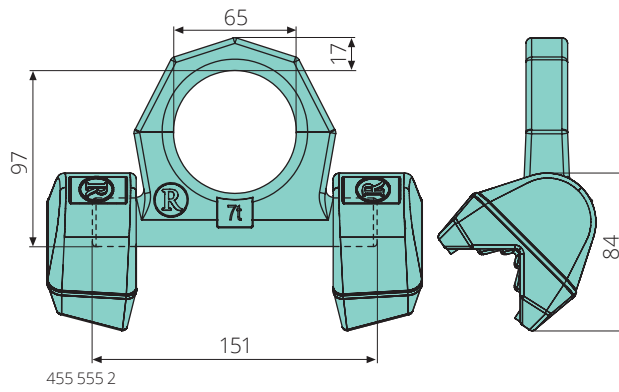


Article no.	Product	Description
455 981	Anti-slip mat	125x1000x8mm, slip-friction coefficient $\mu=0,6$
455 982	Anti-slip mat	125x10000x8mm, slip-friction coefficient $\mu=0,6$

Lifting points / Load rings

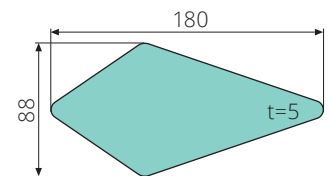
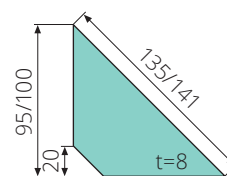
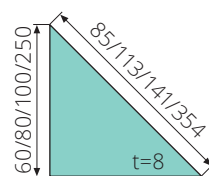
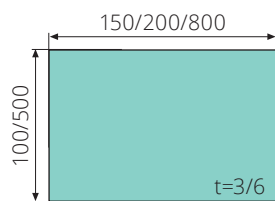
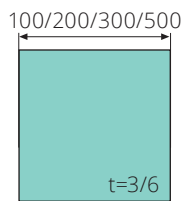


Article no.	Product	Description	A	B	C	D	WLL
455 500 1	Lifting point	with spring, for welding	45	43	60	17	3,15t
455 500	Lifting point	for welding	45	43	60	17	3,15t
455 510 1	Lifting point	with spring, for welding	55	49	76	22	5,3t
455 510	Lifting point	for welding	55	49	76	22	5,3t
455 520 1	Lifting point	with spring, for welding	69	66	88	26,5	8t
455 520	Lifting point	for welding	69	66	88	26,5	8t
455 525 1	Lifting point	with spring, for welding	97	90	120	34	15t



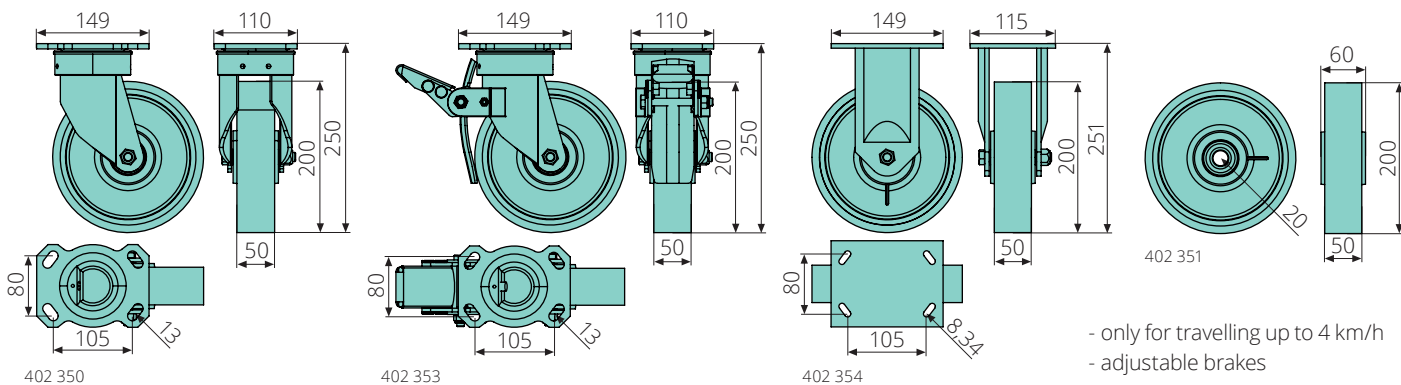
Article no.	Product	Description
455 555 2	Load ring for crane liftable skips	WLL 7t, for welding, swivel range 270°, with left & right mount

Repair plates



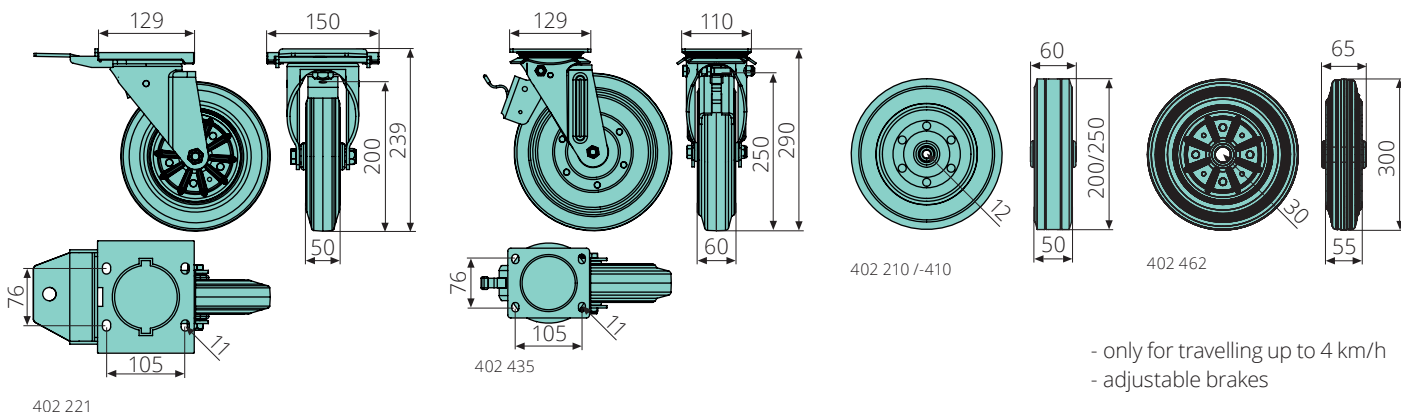
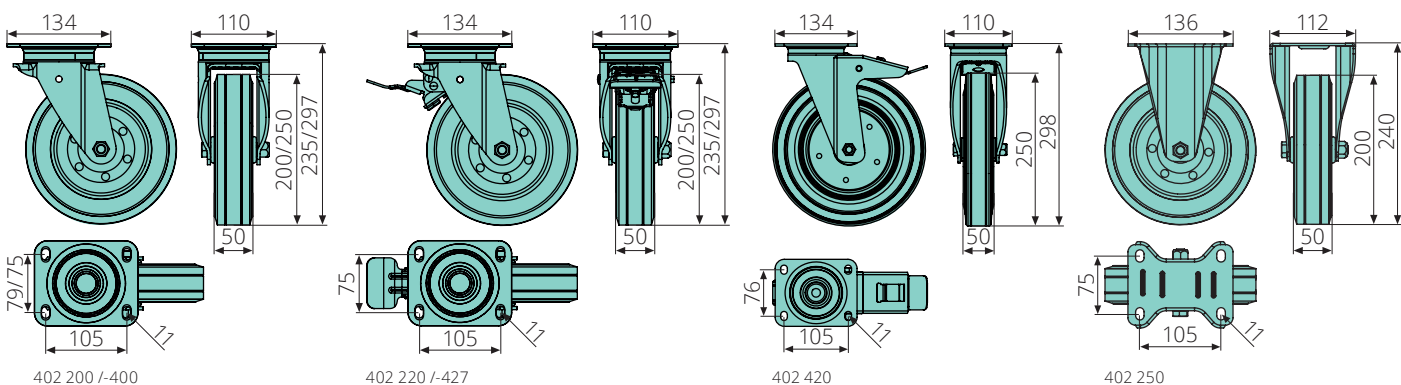
Article no.	Product	Description
459 083	Plate	100x100x3mm, square
459 082	Plate	200x200x3mm, square
459 081	Plate	300x300x3mm, square
452 050	Plate	500x500x6mm, square
459 085	Plate	150x100x3mm, rectangular
459 084	Plate	200x100x3mm, rectangular
452 051	Plate	500x800x6mm, rectangular
459 189	Plate	60x60x85x8mm, triangular
459 187	Plate	80x80x113x8mm, triangular
459 188	Plate	100x100x141x8mm, triangular
459 186	Plate	250x250x354x8mm, triangular
459 193	Plate	95x95x135x10mm, trapezoidal
459 192	Plate	100x100x141x10mm, trapezoidal
454 283	Reinforcement Plate	180x88x5mm, kite shaped

Casters



- only for travelling up to 4 km/h
- adjustable brakes

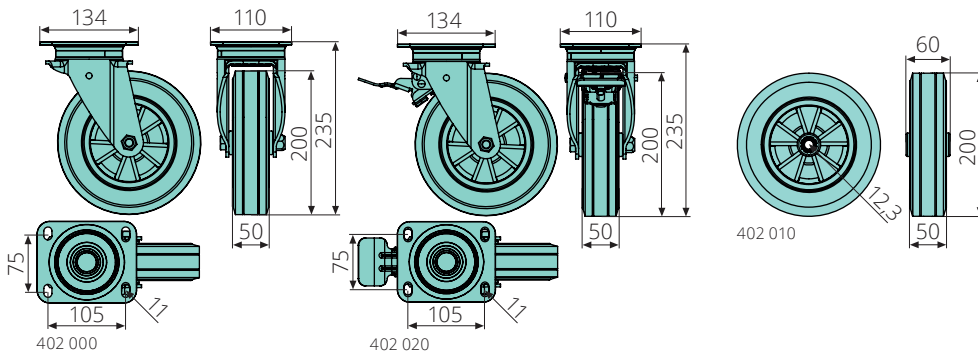
Article no.	Product	Description
402 350	Heavy duty swivel caster	200x50mm, dynamic load capacity 1000kg, polyurethane tyre, cast iron hub, ball bearing
402 353	Heavy duty swivel caster	200x50mm, dynamic load capacity 1000kg, polyurethane tyre, cast iron hub, ball bearing, with brake
402 354	Heavy duty fixed caster	200x50mm, dynamic load capacity 1000kg, polyurethane tyre, cast iron hub, ball bearing
402 351	Heavy duty Wheel	200x50mm, dynamic load capacity 1000kg, polyurethane tyre, cast iron hub, ball bearing



- only for travelling up to 4 km/h
- adjustable brakes

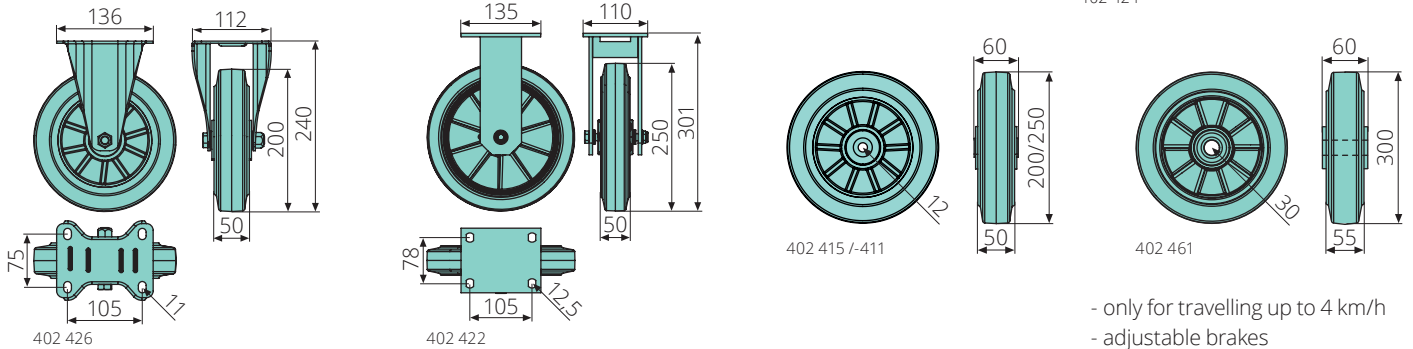
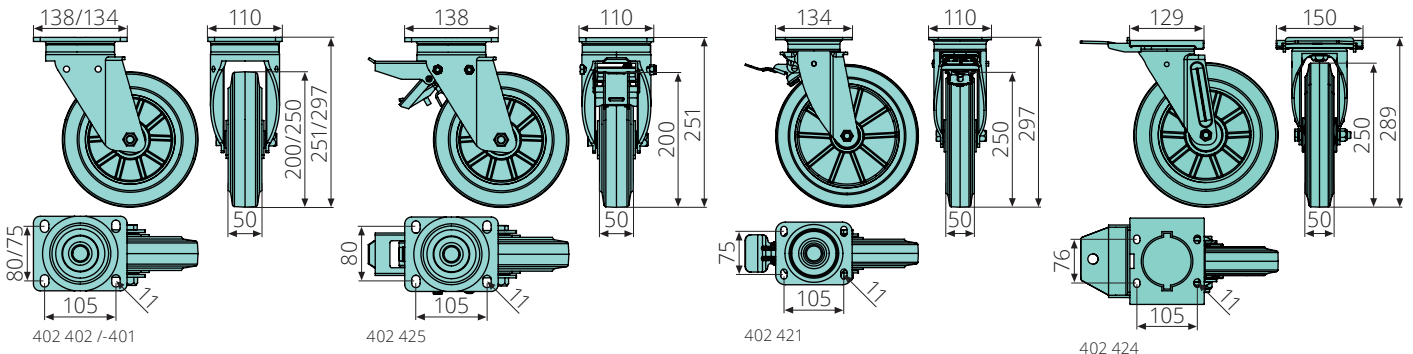
Article no.	Product	Description
402 200	Swivel caster	200x50mm, dynamic load capacity 330kg, solid rubber tyre, steel hub, roller bearing
402 220	Swivel caster	200x50mm, dynamic load capacity 330kg, solid rubber tyre, steel hub, roller bearing, with brake
402 400	Swivel caster	250x50mm, dynamic load capacity 280kg, solid rubber tyre, steel hub, roller bearing
402 427	Swivel caster	250x50mm, dynamic load capacity 280kg, solid rubber tyre, steel hub, roller bearing, front brake
402 420	Swivel caster	250x50mm, dynamic load capacity 280kg, solid rubber tyre, steel hub, roller bearing, with rear brake
402 250	Fixed caster	200x50mm, dynamic load capacity 330kg, solid rubber tyre, steel hub, roller bearing
402 221	Swivel caster	200x50mm, dynamic load capacity 400kg, elastic rubber tyre, steel hub, ball bearing, with brake
402 435	Swivel caster	250x60mm, dynamic load capacity 400kg, elastic rubber tyre, steel hub, ball bearing, with brake
402 210	Wheel	200x50mm, dynamic load capacity 330kg, solid rubber tyre, steel hub, roller bearing, steel bushing
402 410	Wheel	250x50mm, dynamic load capacity 280kg, solid rubber tyre, steel hub, roller bearing, steel bushing
402 462	Wheel	300x55mm, dynamic load capacity 700kg, elastic rubber tyre, steel hub, plastic bearing

Casters



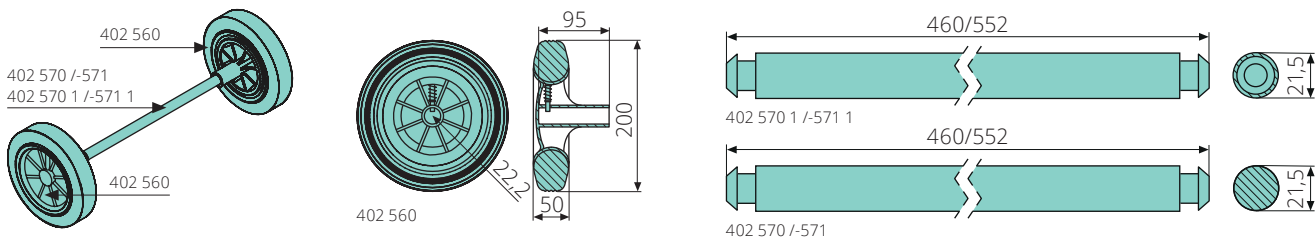
- only for travelling up to 4 km/h
- adjustable brakes

Article no.	Product	Description
402 000	Swivel caster	200x50mm, dynamic load capacity 210kg, solid rubber tyre, plastic hub, plain bearing
402 020	Swivel caster	200x50mm, dynamic load capacity 210kg, solid rubber tyre, plastic hub, plain bearing, with brake
402 010	Wheel	200x50mm, dynamic load capacity 210kg, solid rubber tyre, plastic hub, plain bearing, plastic sleeve



- only for travelling up to 4 km/h
- adjustable brakes

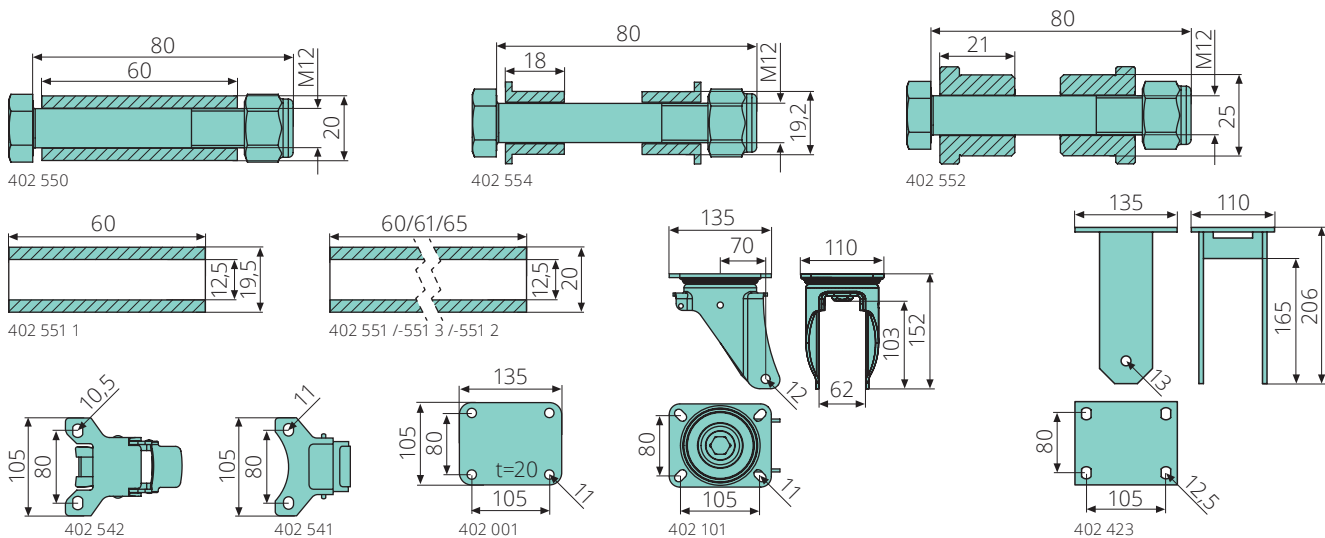
Article no.	Product	Description
402 402	Swivel caster	200x50mm, dynamic load capacity 500kg, elastic rubber tyre, aluminum hub, ball bearing
402 425	Swivel caster	200x50mm, dynamic load capacity 500kg, elastic rubber tyre, aluminum hub, ball bearing,
402 401	Swivel caster	250x50mm, dynamic load capacity 500kg, elastic rubber tyre, aluminum hub, ball bearing
402 421	Swivel caster	250x50mm, dynamic load capacity 500kg, elastic rubber tyre, aluminum hub, ball bearing, with brake
402 424	Swivel caster	250x50mm, dynamic load capacity 400kg, elastic rubber tyre, steel hub, ball bearing, with brake
402 426	Fixed caster	200x50mm, dynamic load capacity 500kg, elastic rubber tyre, aluminum hub, ball bearing
402 422	Fixed caster	250x50mm, dynamic load capacity 500kg, elastic rubber tyre, aluminum hub, ball bearing
402 415	Wheel	200x50mm, dyn. load capacity 500kg, elastic rubber tyre, aluminum hub, ball bearing, 2 collar sleeve
402 411	Wheel	250x50mm, dyn. load capacity 500kg, elastic rubber tyre, aluminum hub, ball bearing, 2 collar sleeve
402 461	Wheel	300x55mm, dynamic load capacity 700kg, elastic rubber tires, aluminum hub, ball bearing



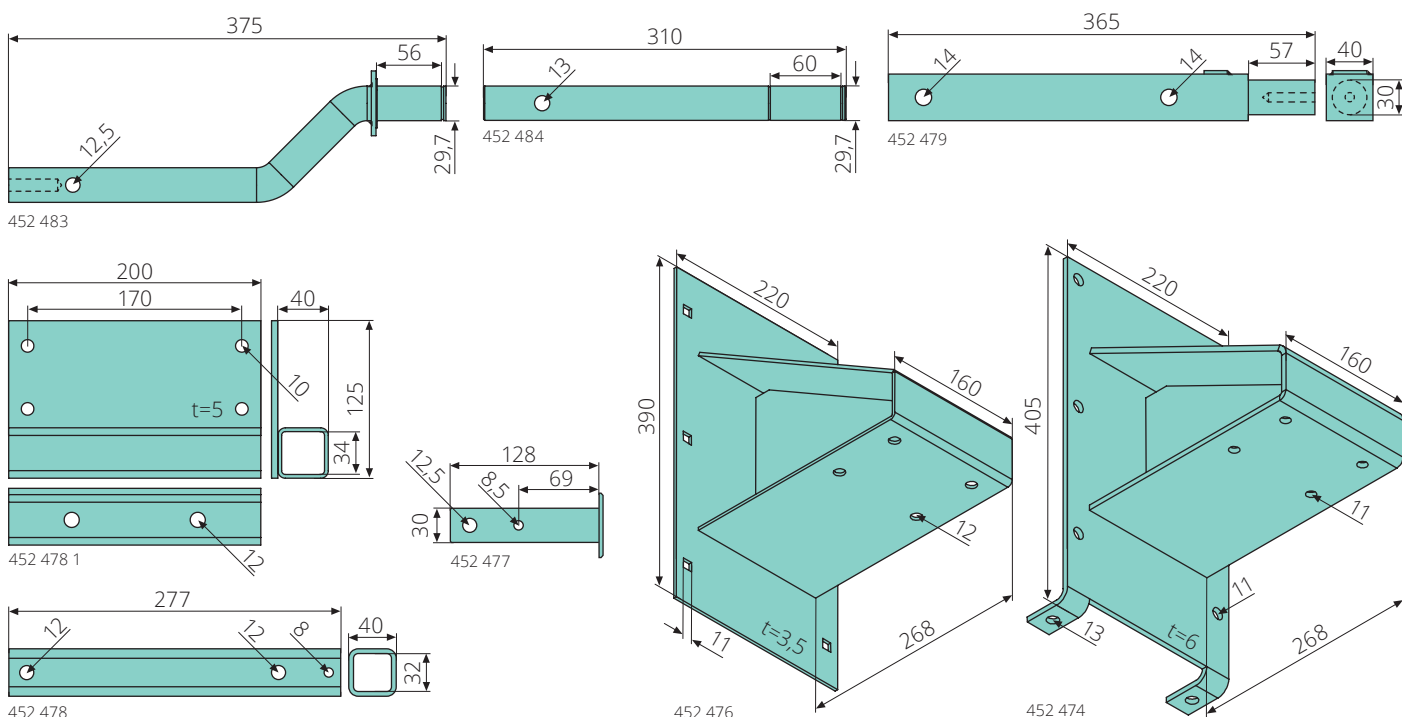
NEW

Article no.	Product	Description
402 560	Extended hub wheel	200x50mm, dynamic load capacity 60kg, rubber tyre, plastic hub
402 570	Shaft for extended hub wheel	21,5x460mm, for 120 l containers, galvanized, solid material
402 571	Shaft for extended hub wheel	21,5x552mm, for 240 l containers, galvanized, solid material
402 570 1	Shaft for extended hub wheel	21,5x460mm, für 120 l containers, galvanized, Tube material
402 571 1	Shaft for extended hub wheel	21,5x552mm, für 240 l Containers, galvanized, Tube material

Accessories for mounting casters



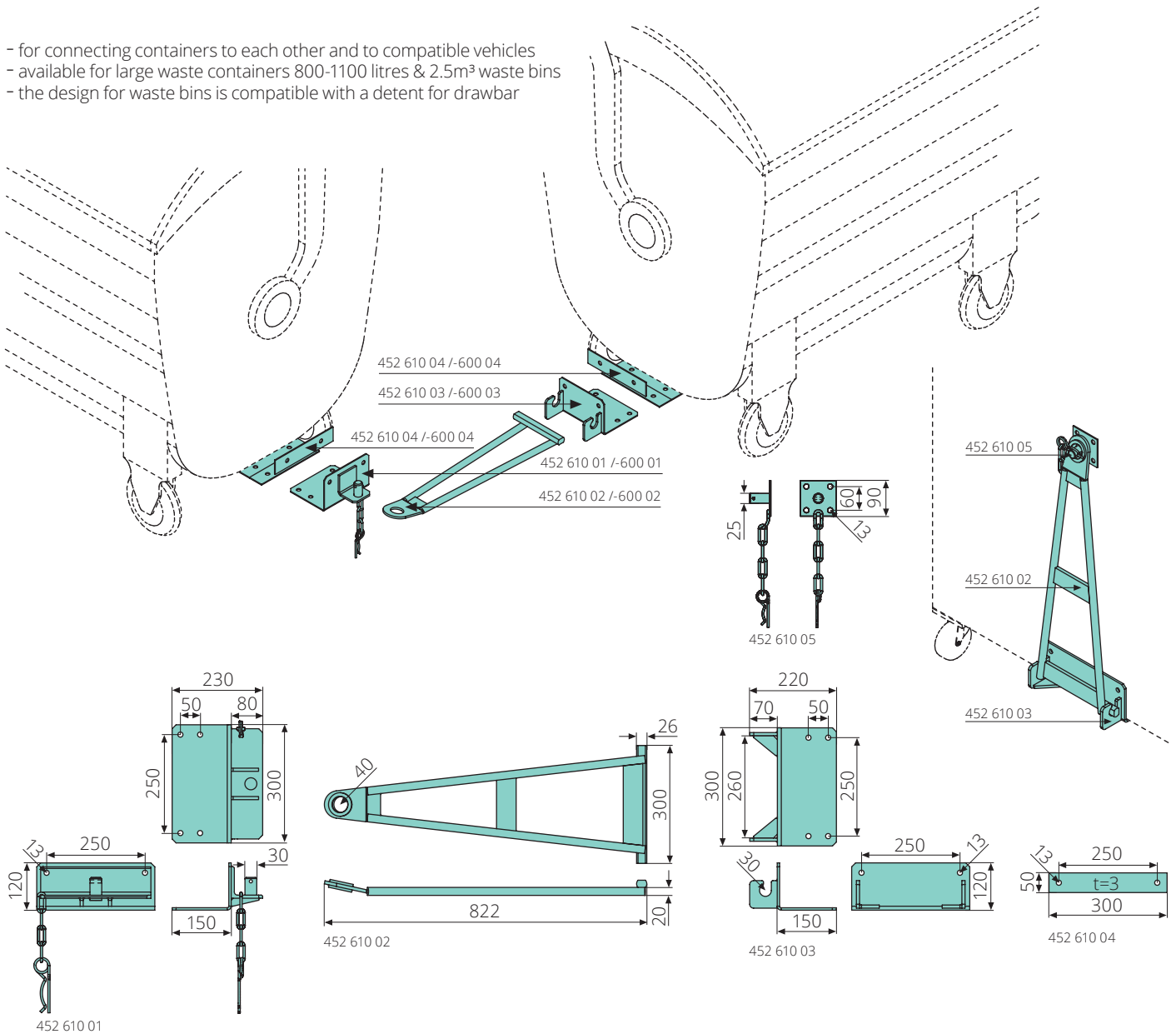
Article no.	Product	Description
402 550	Assembly kit for for wheels	20x80mm, for wheels D=200mm & plain/roller bearing, with shaft, lock nut & sleeve tubing
402 551 1	Sleeve tubing	12,5-19,5-60mm, for wheels D=200mm & plain/roller bearing
402 551	Sleeve tubing	12,5-20-60mm, for wheels D=200mm & plain/roller bearing
402 551 3	Sleeve tubing	12,5-20-61mm, for wheels D=200mm & plain/roller bearing
402 551 2	Sleeve tubing	12,5-20-65mm, for wheels D=200mm & plain/roller bearing
402 554	Assembly kit for for wheels	19,2x80mm, for wheels D=200mm & ball bearing, with shaft, lock nut & 2 bushings
402 552	Assembly kit for for wheels	25x80mm, for wheels D=250mm & ball bearing, with shaft, lock nut & 2 bushings
402 542	Directional lock	type HACO
402 541	Directional lock	type LIV
402 001	Spacer plate	135x105x20mm, for swivel casters, galvanized
402 423	Bracket for casters	for casters 200x50mm, dynamic load capacity 550kg, welded, galvanized
402 101	Bracket for casters	for casters 200x50mm, without brake, galvanized



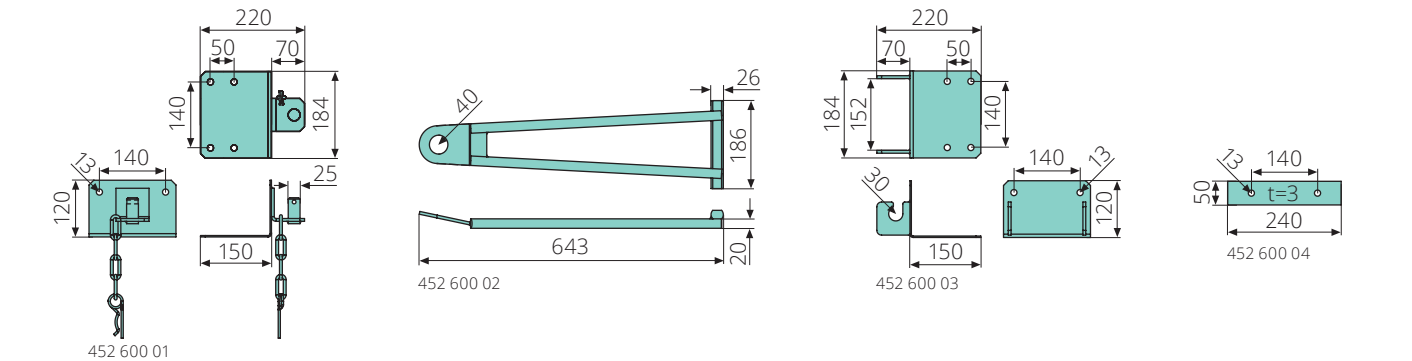
Article no.	Product	Description
452 483	Axle	29,7x375mm, galvanized, with thread M12, type BERINGER
452 484	Axle	29,7x310mm, galvanized, type BERINGER
452 479	Axle	30x365mm, galvanized, with thread M10, type BERINGER
452 478 1	Mount for axle	40x125x200mm, galvanized, for bolted mounting
452 478	Mount for axle	40x40x277mm, galvanized, type IVB
452 477	Axle	30x128mm, galvanized, type IVB
452 476	Support for casters	390x220mm, galvanized, type IVB
452 474	Support for casters	405x220mm, galvanized, type BERINGER

Hitching devices

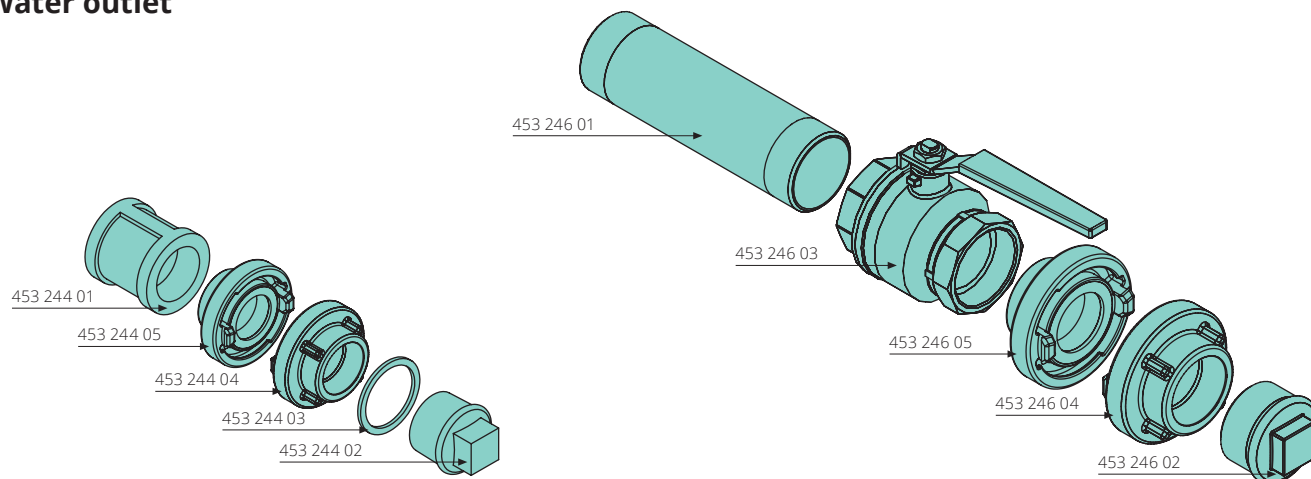
- for connecting containers to each other and to compatible vehicles
- available for large waste containers 800-1100 litres & 2.5m³ waste bins
- the design for waste bins is compatible with a detent for drawbar



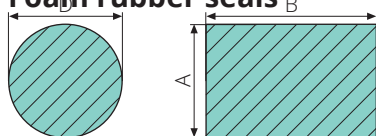
Article no.	Product	Description
452 610 01	Hitch	300x230x120mm, for 2,5m ³ wheelie bins, galvanized
452 610 02	Drawbar	822x300mm, for 2,5m ³ wheelie bins, galvanized
452 610 03	Seat for drawbar	300x220x120mm, for 2,5m ³ wheelie bins, galvanized
452 610 04	Counter plate	300x50x3mm, for 2,5m ³ wheelie bins, 3 needed for mounting a hitch or seat, galvanized
452 610 05	Detent for drawbar	90x90x3mm, galvanized



Article no.	Product	Description
452 600 01	Hitch	184x220x120mm, for 800-1100 liter bins, galvanized
452 600 02	Drawbar	643,4x186mm, for 800-1100 liter bins, galvanized
452 600 03	Seat for drawbar	184x220x120mm, for 800-1100 liter bins, galvanized
452 600 04	Counter plate	240x50x3mm, for 800-1100 liter bins, 3 needed for mounting a hitch or seat, galvanized

Water outlet


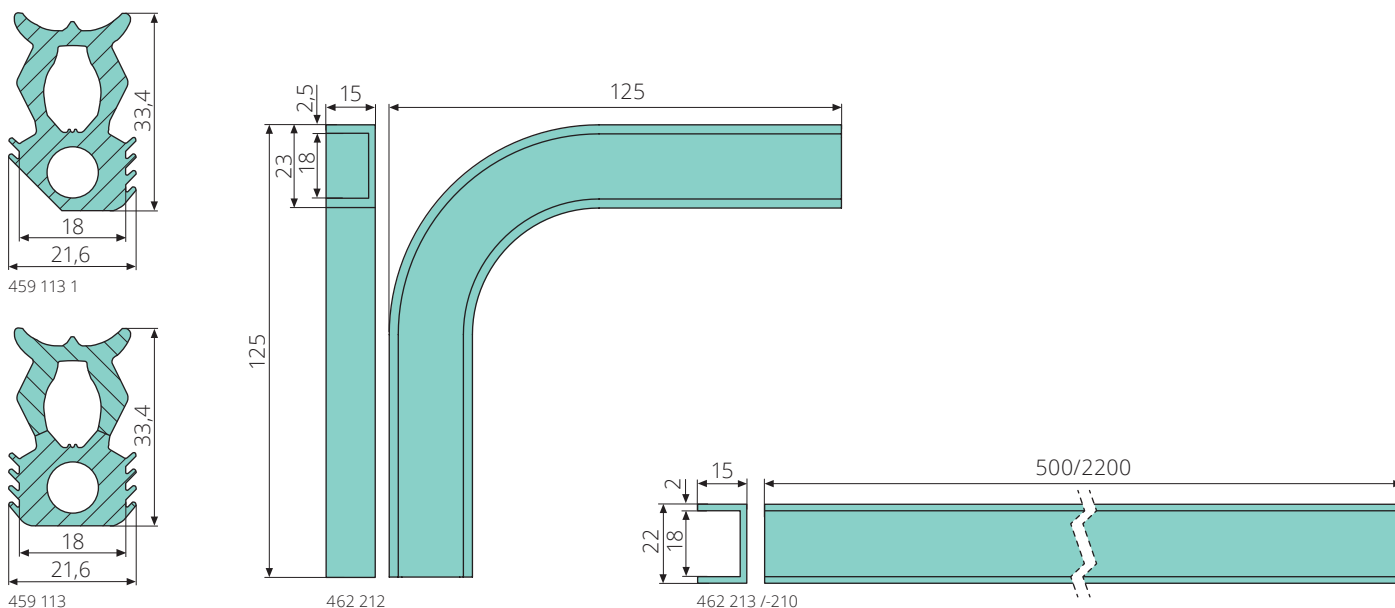
Article no.	Product	Description
453 244 01	Coupling sleeve	1" , raw
453 244 05	Storz coupling	1" , outer thread
453 244 04	Storz coupling	1" , inner thread
453 244 03	Sealing ring	1"
453 244 02	Plug	1" , galvanized
453 246 01	Threaded pipe	2" , L=200mm, galvanized
453 246 03	Ball valve	2" , brass thread, SW65
453 246 05	Storz coupling	2" , outer thread
453 246 04	Storz coupling	2" , inner thread
453 246 02	Plug	2" , galvanized

Foam rubber seals


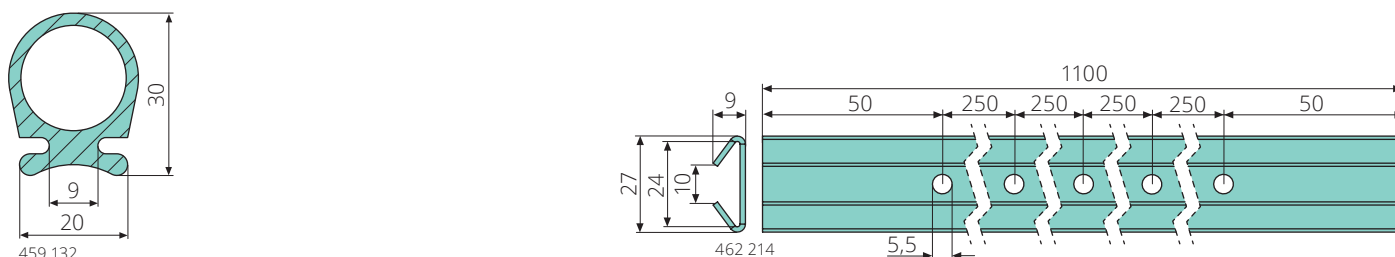
Article no.	Product	Description
459 119	Foam rubber seal	D=20mm, round, 25m bundle
459 120	Foam rubber seal	D=30mm, round, 20m bundle
459 126	Foam rubber seal	10x60mm, square, 25m bundle
459 114	Foam rubber seal	12x20mm, square, 50m bundle
459 128 01	Foam rubber seal	15x15mm, square, 25m bundle
459 102	Foam rubber seal	15x20mm, square, 25m bundle
459 115	Foam rubber seal	15x30mm, square, 25m bundle
459 104	Foam rubber seal	15x40mm, square, 25m bundle
459 104 1	Foam rubber seal	15x50mm, square, 25m bundle
459 101	Foam rubber seal	20x20mm, square, 25m bundle
459 127	Foam rubber seal	20x25mm, square, 25m bundle
459 112	Foam rubber seal	20x30mm, square, 25m bundle
459 112 1	Foam rubber seal	20x35mm, square, 25m bundle
459 106	Foam rubber seal	20x40mm, square, 25m bundle
459 117	Foam rubber seal	20x45mm, square, 25m bundle
459 103	Foam rubber seal	20x50mm, square, 25m bundle
459 107	Foam rubber seal	25x25mm, square, 25m bundle
459 121	Foam rubber seal	25x30mm, square, 25m bundle
459 125	Foam rubber seal	25x40mm, square, 25m bundle
459 111	Foam rubber seal	25x50mm, square, 15m bundle
459 108	Foam rubber seal	30x30mm, square, 20m bundle
459 118	Foam rubber seal	30x35mm, square, 15m bundle
459 110 1	Foam rubber seal	30x40mm, square, 15m bundle
459 110	Foam rubber seal	30x45mm, square, 15m bundle
459 116	Foam rubber seal	40x40mm, square, 10m bundle

Article no.	Product	Description
459 143	Adhesive kit for EPDM	glue & primer, 10g, to be applied in thin layers on both ends

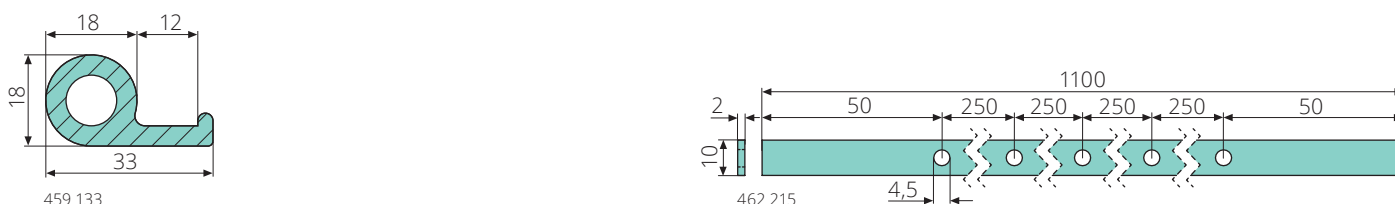
Rubber seals / Guide profiles



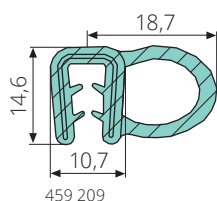
Article no.	Product	Description
459 113 1	Solid rubber seal	21,6x33,4mm, 20m bundle
459 113	Seal for compactors	21,6x33,4mm, 2 types of rubber, 20m bundle
Article no.	Product	Description
462 212	U-profile	125x23x15x2,5mm, 90° elbow, S355J2
462 213	U-profile	500x22x15x2mm, S355J2
462 210	U-profile	2200x22x15x2mm, S355J2



Article no.	Product	Description
459 132	Seal for container doors	20x30mm, 25m bundle
Article no.	Product	Description
462 214	Guide profile	1100x27x9mm, steel, galvanized

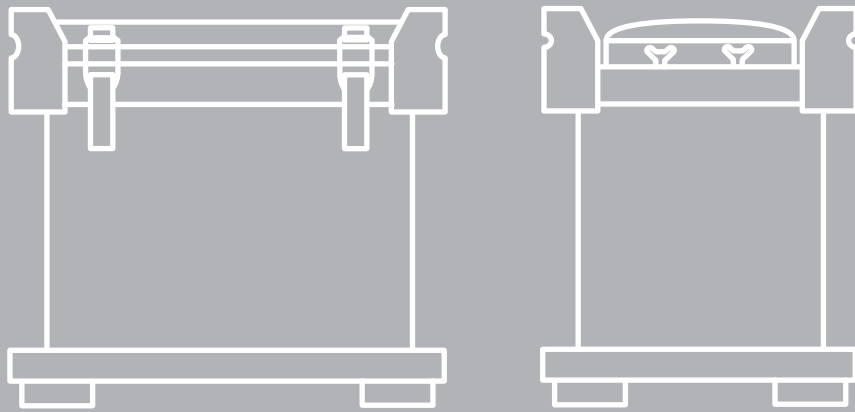


Article no.	Product	Description
459 133	Seal for container doors	18x33mm, 25m bundle
Article no.	Product	Description
462 215	Anchoring plate	1100x10x2mm, galvanized



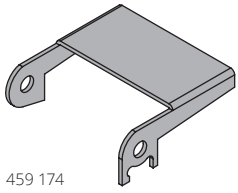
Article no.	Product	Description
459 209	Composite sealing profile	24x14,6mm, self-clamping, 25m bundle, deformable max. 10mm



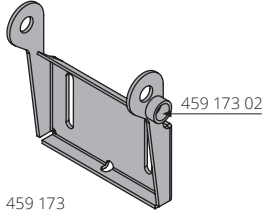
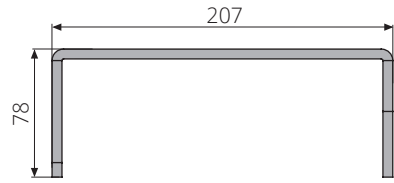
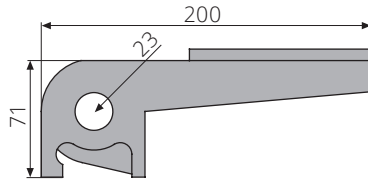


Components for IBCs

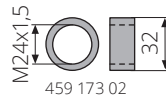
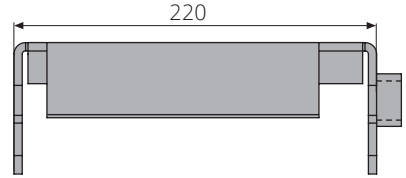
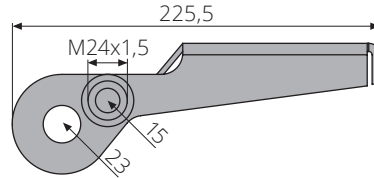
Accessories for lids



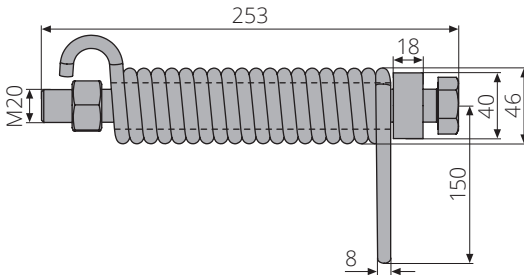
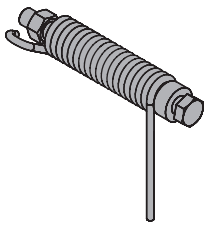
459 174



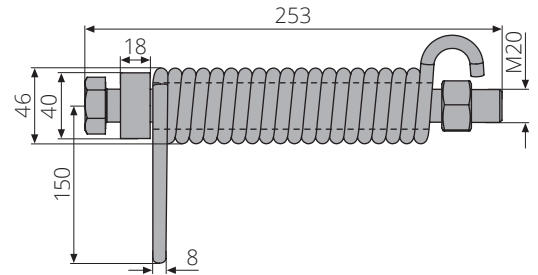
459 173



Article no.	Product	Description
459 174	Hinge for lid	200x207mm, top, S235JR, galvanized
459 173	Hinge for lid	225,5x220mm, bottom, S235JR, galvanized
459 173 02	Threaded bushing	M24x1,5mm, raw, for welding

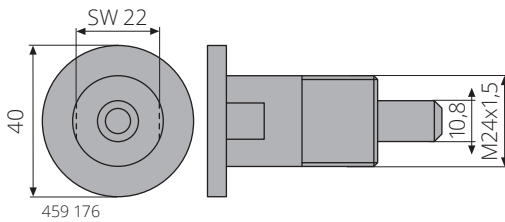
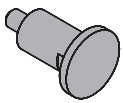


459 182

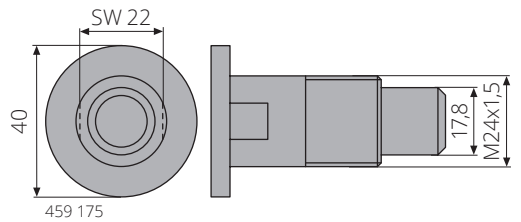


459 183

Article no.	Product	Description
459 182	Spring set complete	46x253mm, left, spring galvanized, type BAUER
459 183	Spring set complete	46x253mm, right, spring galvanized, type BAUER



459 176



459 175

Article no.	Product	Description
459 176	Spring bolt	M24x1,5mm, bolt D=10,8mm
459 175	Spring bolt	M24x1,5mm, bolt D=17,8mm

Achtung!

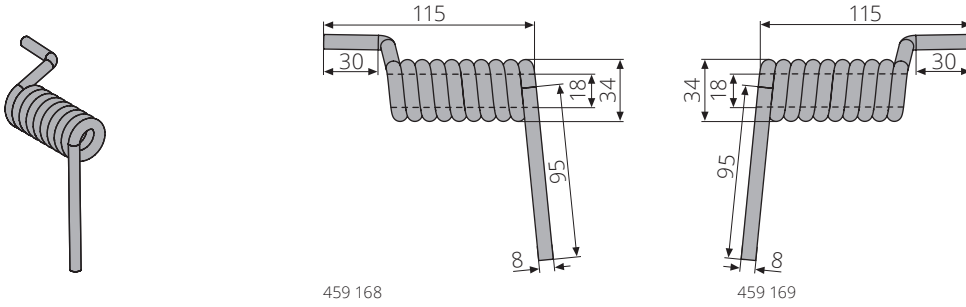
**Vor dem Umlegen des Deckels
unbedingt den Verschlussriegel**

**am linken Behälterscharnier
nach Skizze betätigen!**

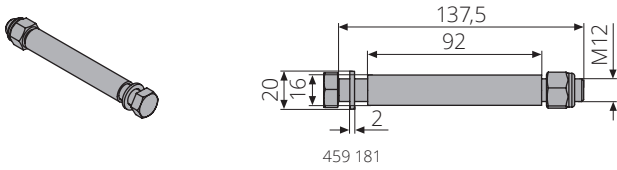
459 258

Article no.	Product	Description
459 258	PVC sticker "Achtung! Verschlussriegel betätigen"	210x150mm, 2 stickers/sheet

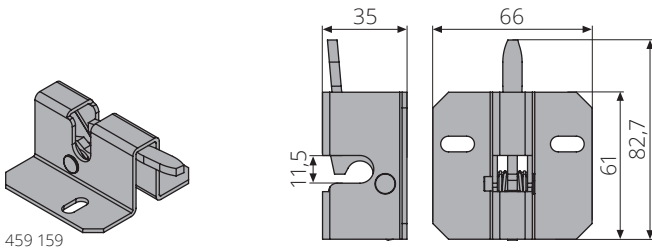
Accessories for lids



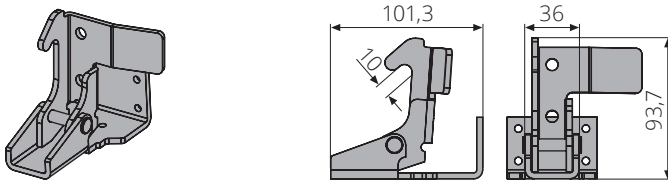
Article no.	Product	Description
459 168	Spring	18-34-115mm, left, galvanized, type BAUER
459 169	Spring	18-34-115mm, right, galvanized, type BAUER



Article no.	Product	Description
459 181	Bolt set	16x137,5mm, pipe galvanized, type BAUER

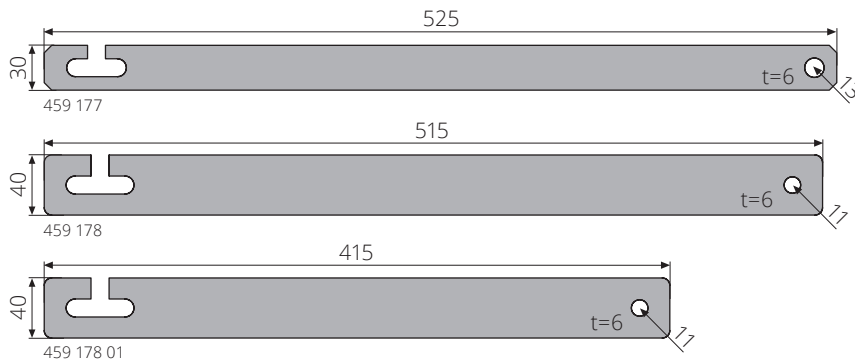


459 159



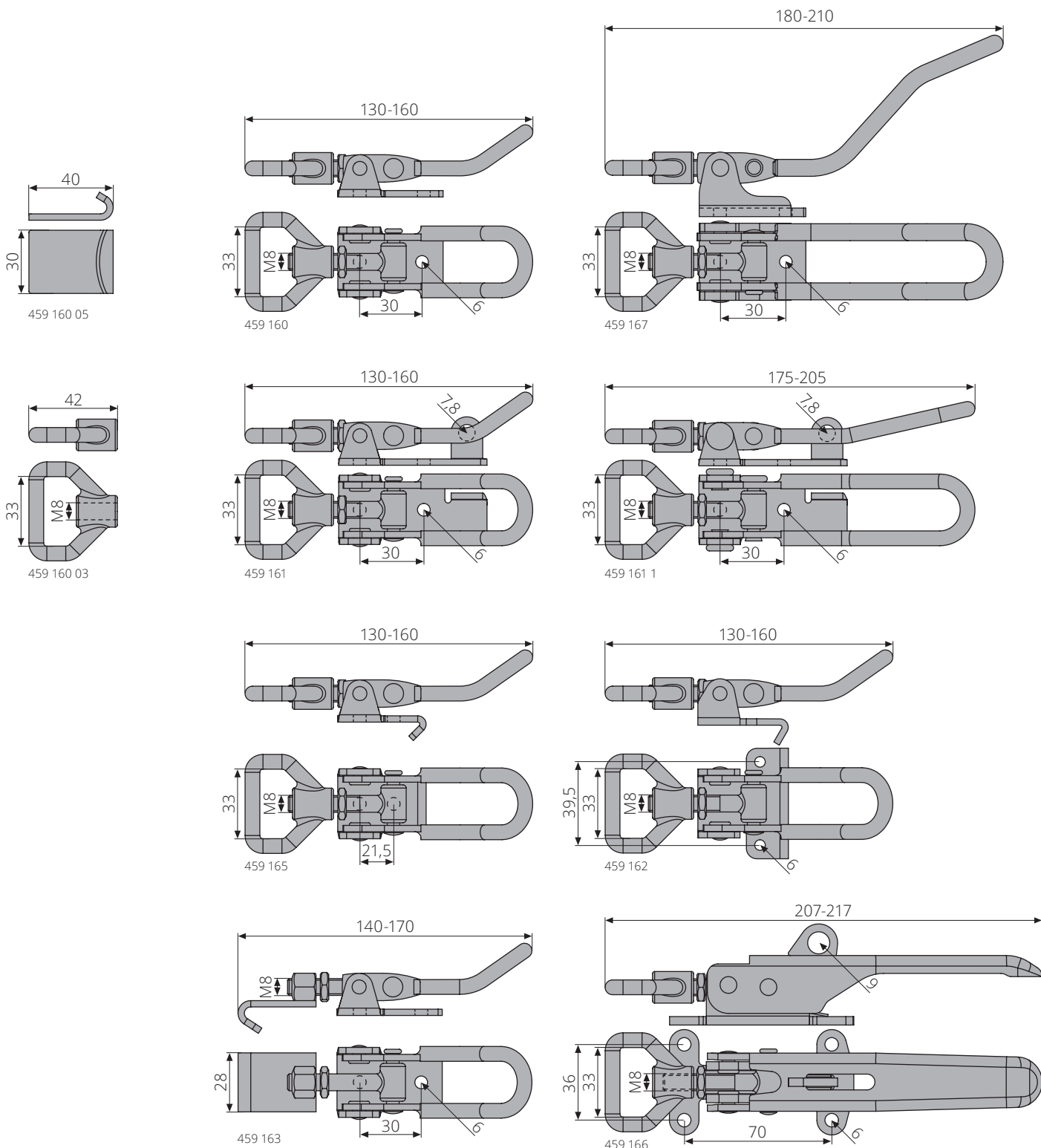
459 155

Article no.	Product	Description
459 155	Lid detent	101,3x93,7mm, galvanized, type FAUN
459 159	Lid detent	82,7x66mm, galvanized, heavy duty version, type BAUER



Article no.	Product	Description
459 177	Lid support	30x525x6mm, galvanized, type OTTO/BAUER/EDELHOFF
459 178	Lid support	40x515x6mm, galvanized, type OTTO/BAUER
459 178 01	Lid support	40x415x6mm, galvanized, type OTTO

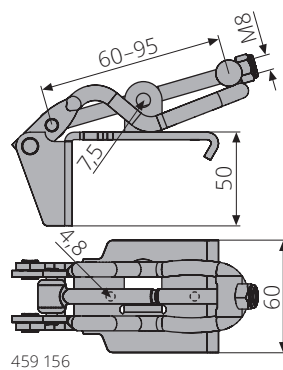
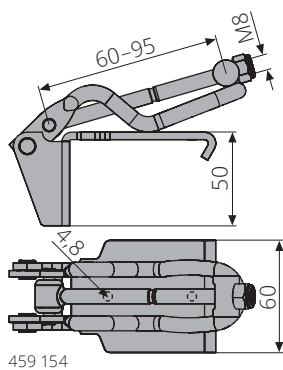
Over centre locks



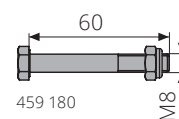
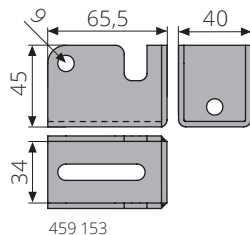
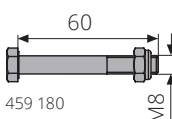
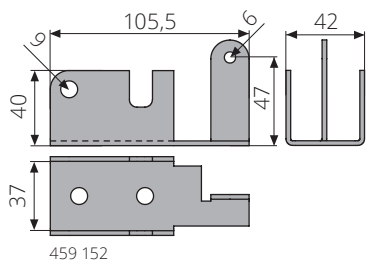
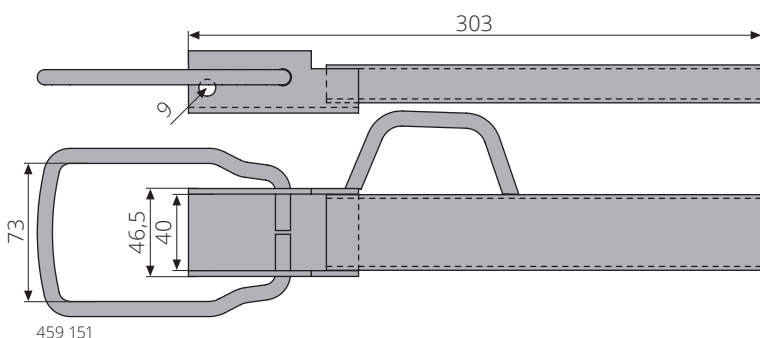
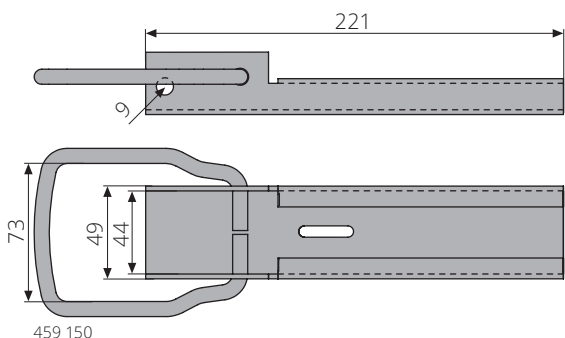
Article no.	Product	Description
459 160	Over centre lock	M8, stroke 30mm, galvanized
459 167	Over centre lock	M8, stroke 30mm, galvanized, long version
459 161	Over centre lock	M8, stroke 30mm, galvanized, can be locked
459 161 1	Over centre lock	M8, stroke 30mm, galvanized, can be locked, long version
459 165	Over centre lock	M8, stroke 30mm, galvanized
459 162	Over centre lock	M8, stroke 30mm, galvanized
459 163	Over centre lock	M8, stroke 30mm, galvanized, with hook plate
459 166	Over centre lock	M8, stroke 20mm, galvanized, with automatic safety latch, can be locked

Article no.	Product	Description
459 160 05	Counterhold for over centre locks	40x30mm, galvanized
459 160 03	Eye for over centre locks	M8, galvanized

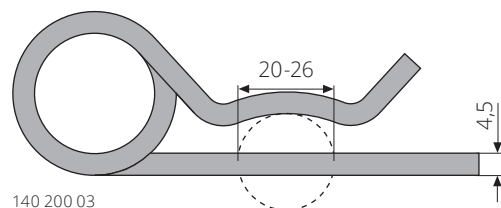
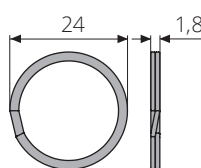
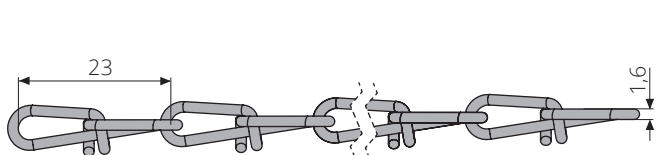
Over centre locks / Accessories



Article no.	Product	Description
459 154	Over centre lock	M8, stroke 30mm, S235JR, galvanized, with spring, type FAUN
459 156	Over centre lock	M8, stroke 30mm, S235JR, galvanized, with spring, type FAUN, can be locked

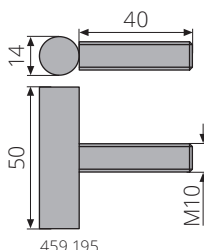


Article no.	Product	Description
459 150	Over centre lock	221x49mm, S235JR, galvanized, short version, type OTTO, can be locked
459 151	Over centre lock	303x40mm, S235JR, galvanized, long version, type OTTO
459 152	Casing	42x105,5mm, S235JR, galvanized, type OTTO, for 459 150, can be locked
459 153	Casing	40x65,5mm, S235JR, galvanized, type OTTO, for 459 151
459 180	Hex bolt	M8x60mm, galvanized, with lock nut



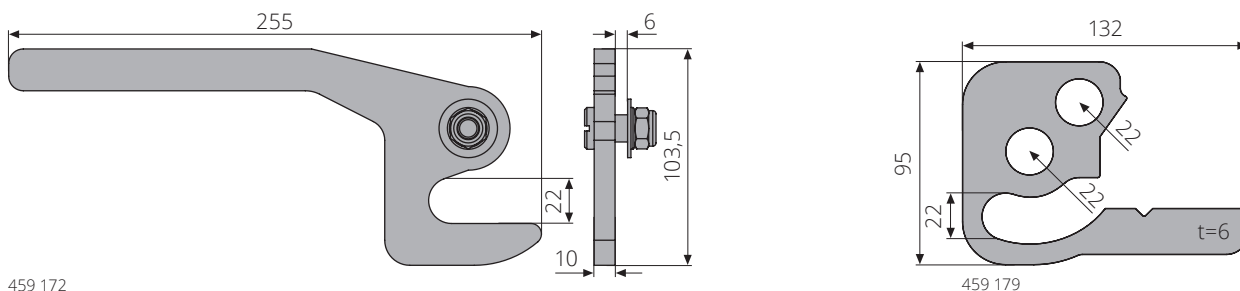
Article no.	Product	Description
459 059	Knotted chain	D=1,6mm, galvanized, DIN 5686, length according to specification

Article no.	Product	Description
459 184	Key ring	24x1,8mm, rust free
140 200 03	Retainer pin	for shaft D=20-26mm, wire D=4,5mm, DIN 11024, form D, galvanized



Article no.	Product	Description
459 195	Clamp bar for over centre locks	M10, galvanized, for over centre locks with M10 internal thread

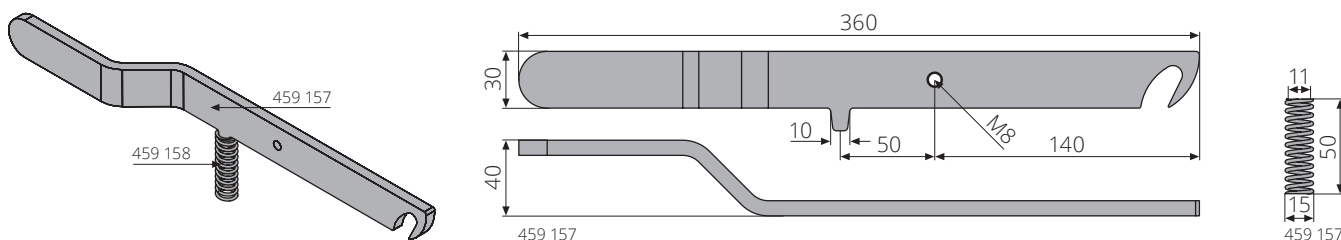
Locking mechanisms



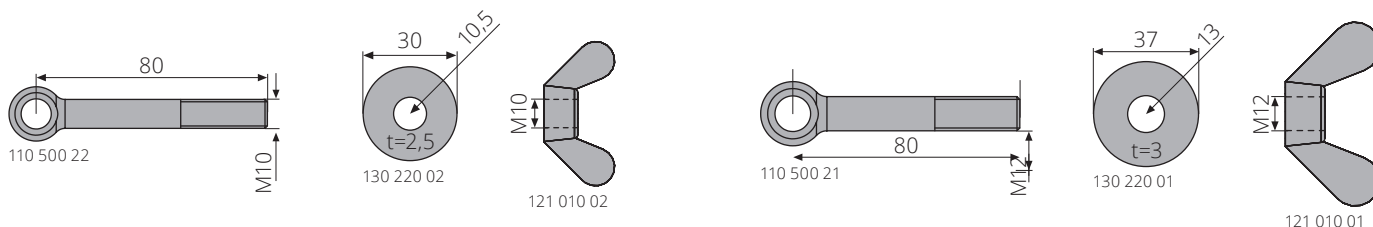
459 172

459 179

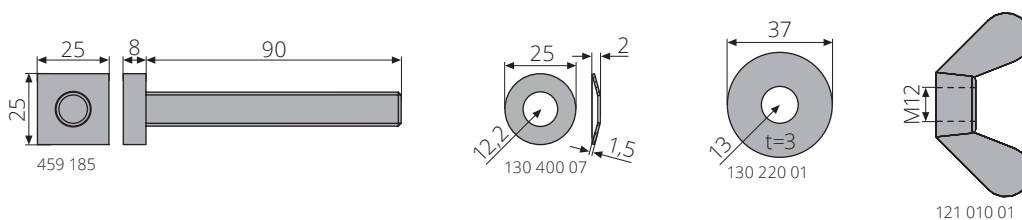
Article no.	Product	Description
459 172	Locking lever	255x103,5x10mm, left/right, galvanized, with washers, screw & nut, type FAUN
459 179	Base plate	132x95x6mm, steel sheet, S355J2, raw



Article no.	Product	Description
459 157	Locking hook	30x360x8mm, galvanized, type BAUER
459 158	Spring for locking hook	11-15-50mm, galvanized, for locking hook 459 157, type BAUER

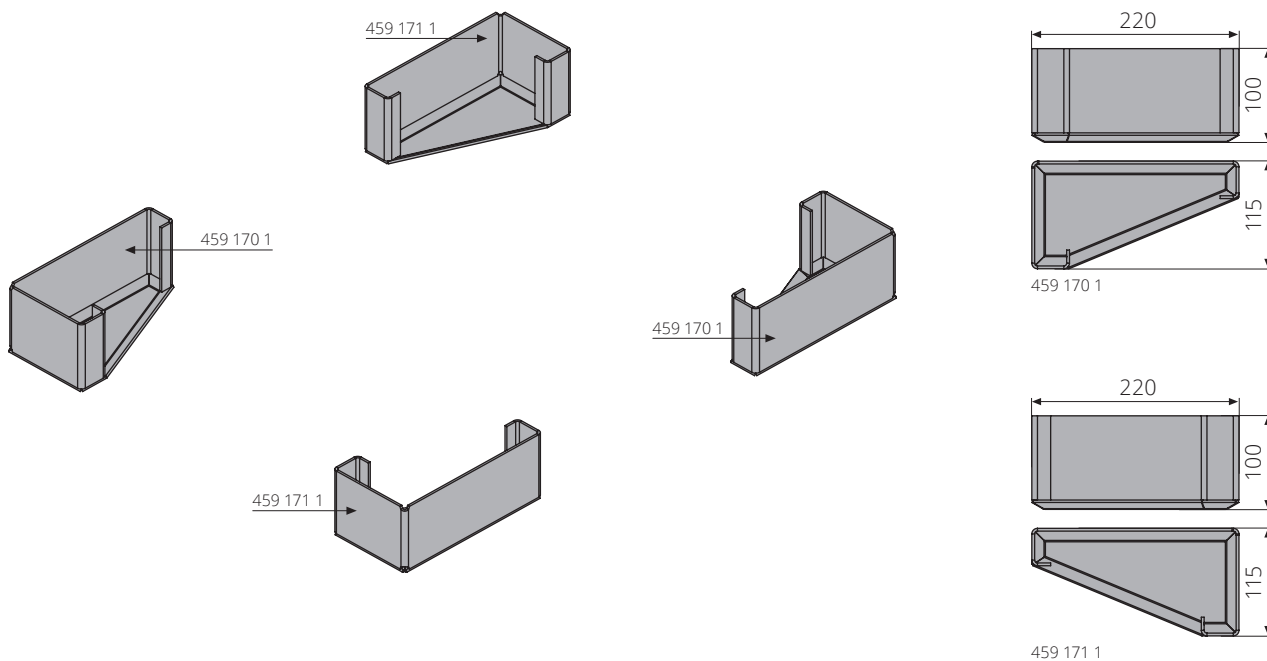


Article no.	Product	Description
110 500 22	Eyebolt	M10x80mm, galvanized, DIN 444
130 220 02	Washer	10,5-30-2,5mm, galvanized, DIN 9021
121 010 02	Wing nut	M10, galvanized, DIN 315 D
110 500 21	Eyebolt	M12x80mm, galvanized, DIN 444
130 220 01	Washer	13-37-3mm, galvanized, DIN 9021
121 010 01	Wing nut	M12, galvanized, DIN 315 D



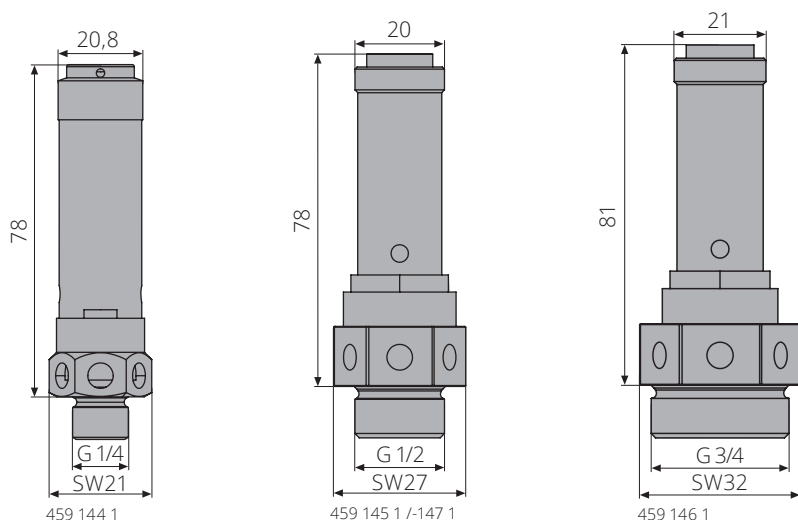
Article no.	Product	Description
459 185	Square headed screw	M12x90mm, galvanized
130 400 07	Cup washer	12,2-25-1,5mm, DIN 2093 A
130 220 01	Washer	13-37-3mm, galvanized, DIN 9021
121 010 01	Wing nut	M12, galvanized, DIN 315 D

Container bases



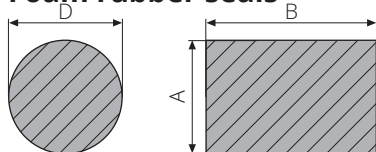
Article no.	Product	Dimensions	Description
459 170 1	Container base	220x115x100mm	front right/rear left, S235JR, primed
459 171 1	Container base	220x115x100mm	front left/rear right, S235JR, primed

Safety valves



Article no.	Product	Description
459 144 1	Safety valve	G 1/4 , SW 21, pressure range 0,6 bar, brass, TÜV-SV.1090 D/G, -20/+160 °C
459 145 1	Safety valve	G 1/2 , SW 27, pressure range 0,51 bar, brass, TÜV-SV.1090 D/G, -20/+160 °C
459 147 1	Safety valve	G 1/2 , SW 27, pressure range 0,6 bar, brass, TÜV-SV.1090 D/G, -20/+160 °C
459 146 1	Safety valve	G 3/4 , SW 32, pressure range 0,51 bar, brass, TÜV-SV.1090 D/G, -20/+160 °C

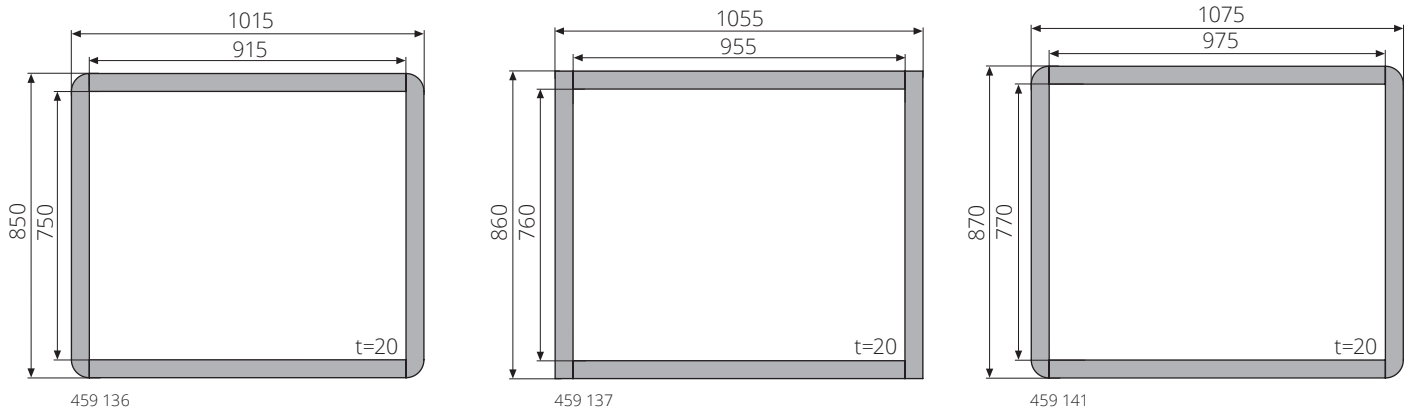
Foam rubber seals



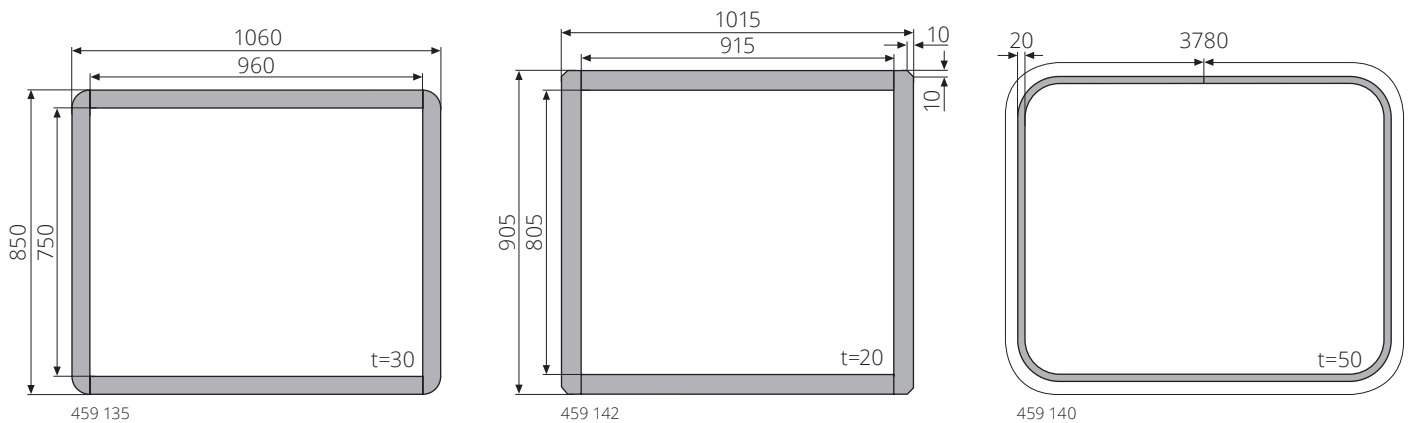
Article no.	Product	Description
459 119	Foam rubber seal	D=20mm, round, 25m bundle
459 120	Foam rubber seal	D=30mm, round, 20m bundle
459 126	Foam rubber seal	10x60mm, square, 25m bundle
459 114	Foam rubber seal	12x20mm, square, 50m bundle
459 128 01	Foam rubber seal	15x15mm, square, 25m bundle
459 102	Foam rubber seal	15x20mm, square, 25m bundle
459 115	Foam rubber seal	15x30mm, square, 25m bundle
459 104	Foam rubber seal	15x40mm, square, 25m bundle
459 104 1	Foam rubber seal	15x50mm, square, 25m bundle
459 101	Foam rubber seal	20x20mm, square, 25m bundle
459 127	Foam rubber seal	20x25mm, square, 25m bundle
459 112	Foam rubber seal	20x30mm, square, 25m bundle
459 112 1	Foam rubber seal	20x35mm, square, 25m bundle
459 106	Foam rubber seal	20x40mm, square, 25m bundle
459 117	Foam rubber seal	20x45mm, square, 25m bundle
459 103	Foam rubber seal	20x50mm, square, 25m bundle
459 107	Foam rubber seal	25x25mm, square, 25m bundle
459 121	Foam rubber seal	25x30mm, square, 25m bundle
459 125	Foam rubber seal	25x40mm, square, 25m bundle
459 111	Foam rubber seal	25x50mm, square, 15m bundle
459 108	Foam rubber seal	30x30mm, square, 20m bundle
459 118	Foam rubber seal	30x35mm, square, 15m bundle
459 110 1	Foam rubber seal	30x40mm, square, 15m bundle
459 110	Foam rubber seal	30x45mm, square, 15m bundle
459 116	Foam rubber seal	40x40mm, square, 10m bundle

Article no.	Product	Description
459 143	Adhesive kit for EPDM	glue & primer, 10g, to be applied in thin layers on both ends

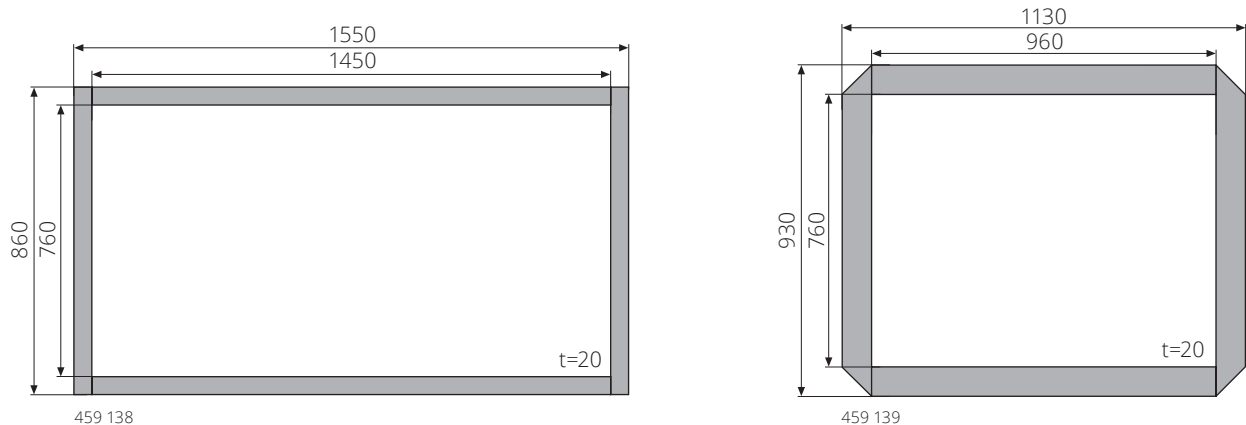
Sealing frames



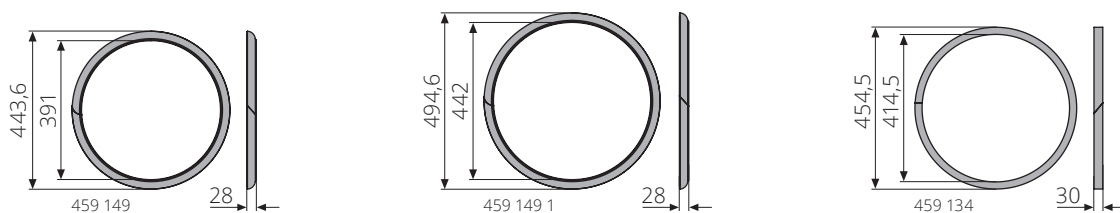
Article no.	Product	Description
459 136	Sealing frame	1015x850x20mm, foam rubber, welded, type OTTO (until 1990)
459 137	Sealing frame	1055x860x20mm, foam rubber, welded, type OTTO (from 1990)
459 141	Sealing frame	1075x870x20mm, foam rubber, welded, type OTTO (from 1994)



Article no.	Product	Description
459 135	Sealing frame	1060x850x30mm, foam rubber, welded, type BAUER
459 142	Sealing frame	1015x905x20mm, foam rubber, welded, type BAUER (from 2000)
459 140	Sealing frame	U=3780mm, foam rubber, welded, type BAUER, corners not stiff

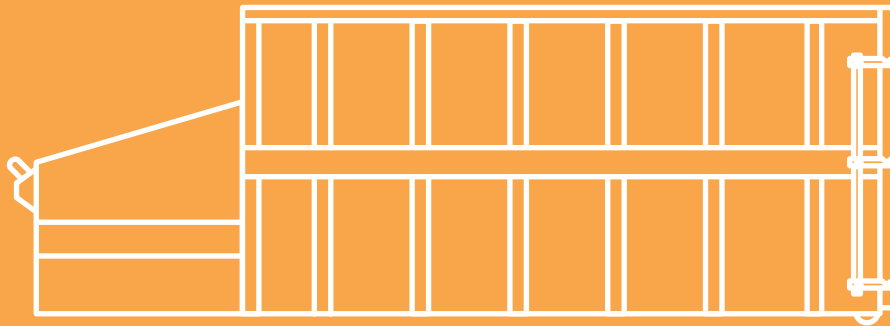


Article no.	Product	Description
459 138	Sealing frame	1550x860x20mm, foam rubber, welded, type HILLEBRANDT
459 139	Sealing frame	1130x930x20mm, foam rubber, welded, type EDELHOFF



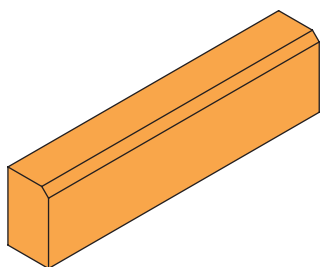
Article no.	Product	Description
459 149	Sealing frame	D=443,6mm, t=28mm, solid rubber, glued
459 149 1	Sealing frame	D=494,6mm, t=28mm, solid rubber, glued
459 134	Sealing frame	D=454,5mm, t=30mm, foam rubber, glued



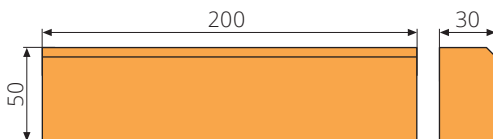


Components for Compactors

Type ALU-STAHL



464 400



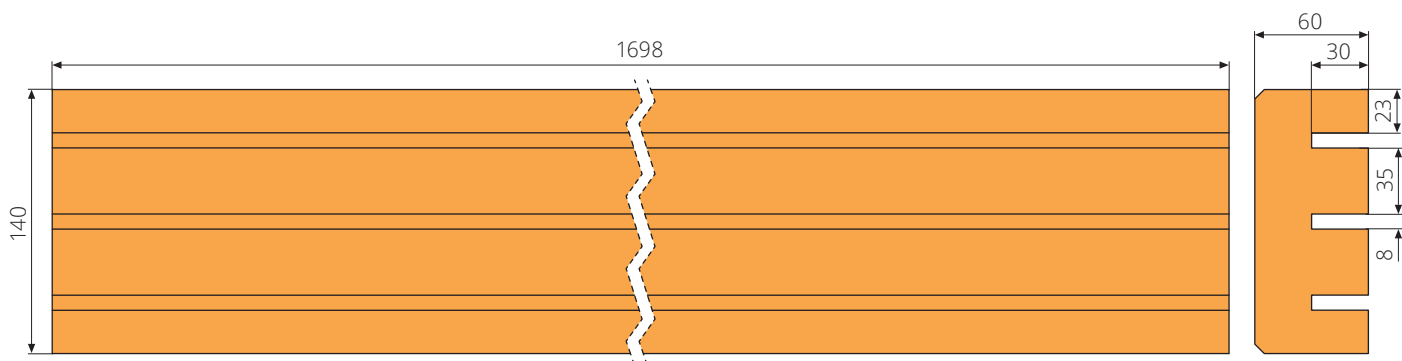
Article no.	Product	Description
464 400	Slide profile	200x30x50mm, plastic

Type ATRIK



469 701

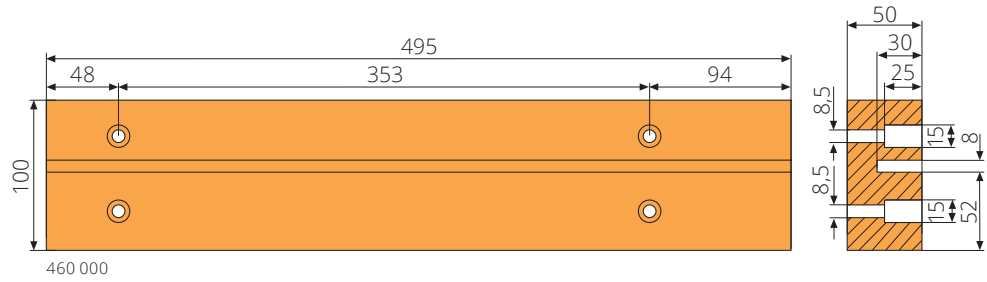
Article no.	Product	Description
469 701	Slide profile	495x70x48mm, plastic



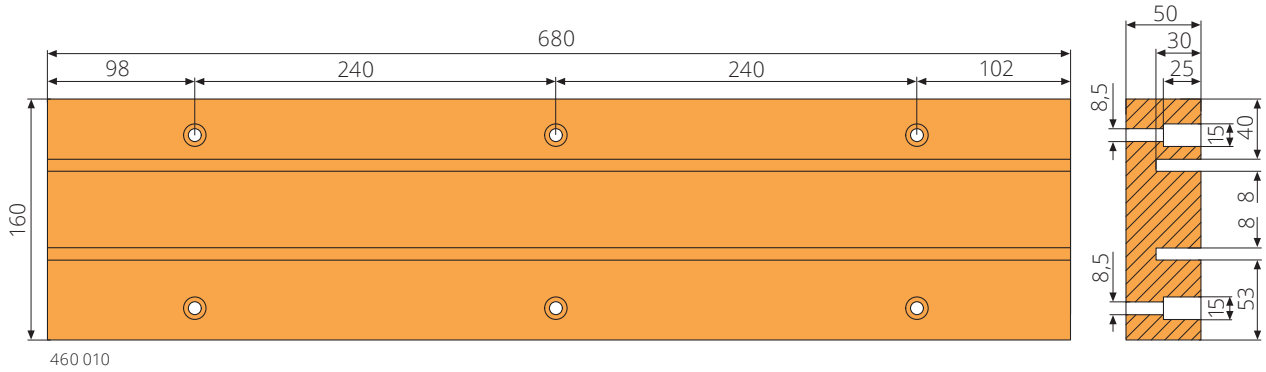
469 700

Article no.	Product	Description
469 700	Guide profile	1698x60x140mm, plastic

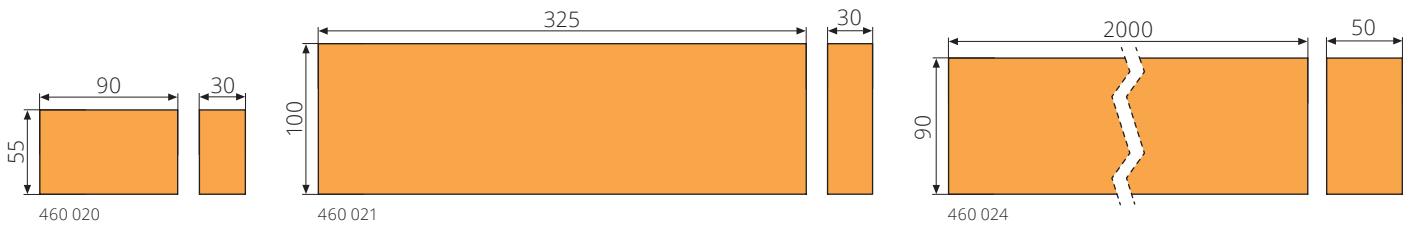
Type AVERMANN



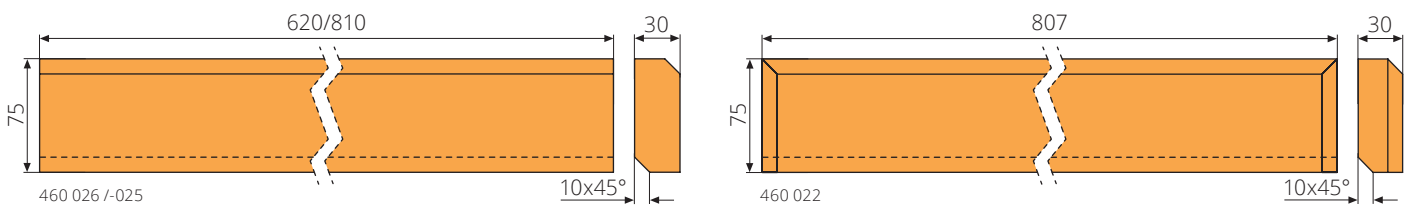
Article no.	Product	Description
460 000	Guide profile	495x100x50mm, left, plastic
460 005	Guide profile	495x100x50mm, right, plastic



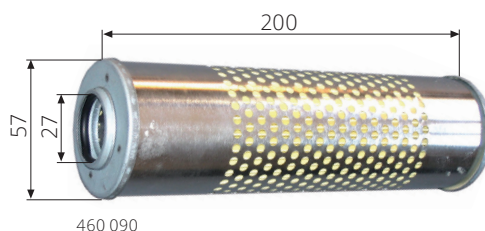
Article no.	Product	Description
460 010	Guide profile	680x160x50mm, left, plastic
460 015	Guide profile	680x160x50mm, right, plastic



Article no.	Product	Description
460 020	Slide profile	90x30x55mm, plastic
460 021	Slide profile	325x30x100mm, plastic
460 024	Slide profile	2000x50x90mm, plastic

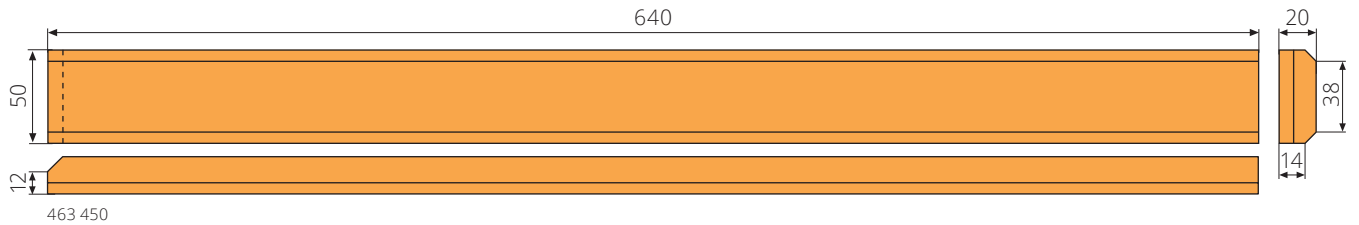
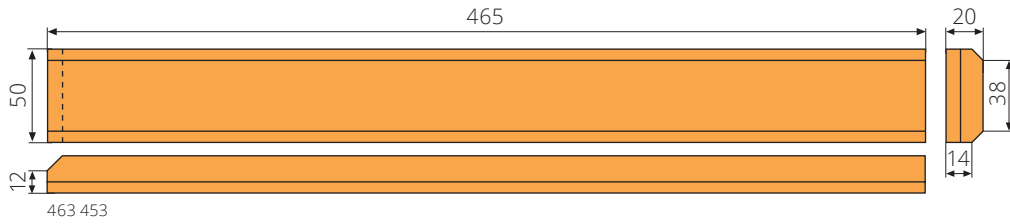


Article no.	Product	Description
460 026	Slide profile	620x30x75mm, plastic
460 025	Slide profile	810x30x75mm, plastic
460 022	Slide profile	807x75x30mm, plastic

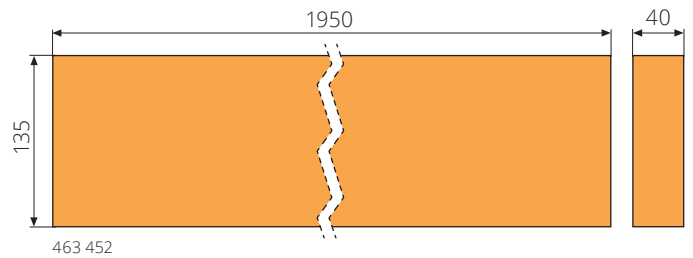
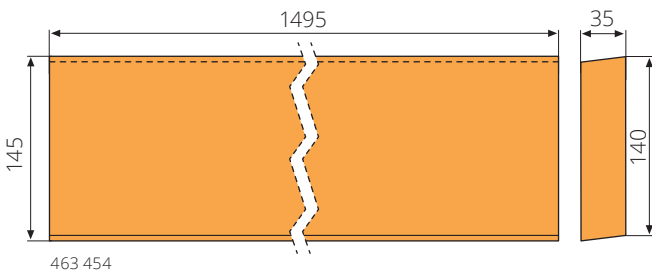


Article no.	Product	Description
460 090	Filter cartridge	27-57-200mm, 10 micron, paper

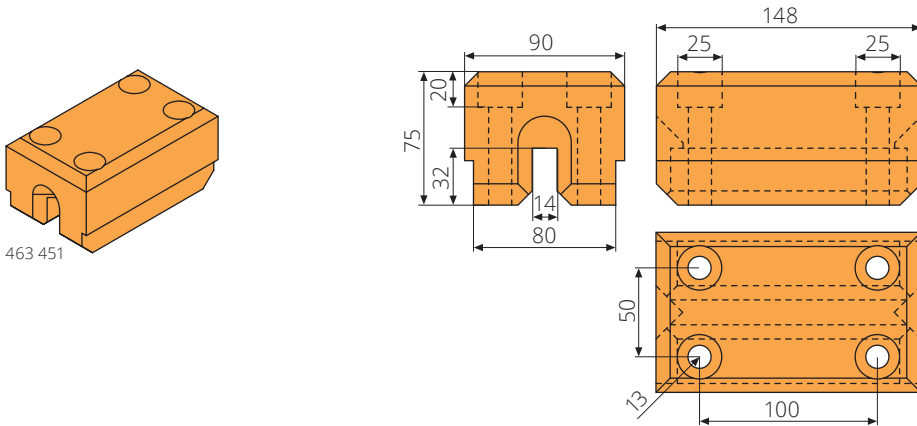
Type BACHMANN



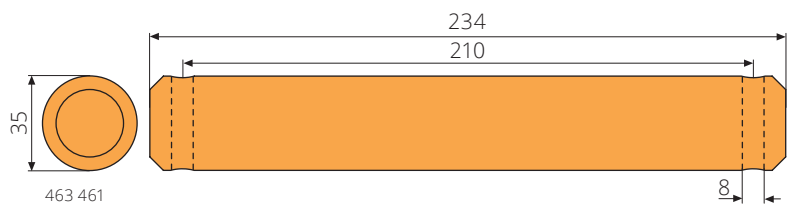
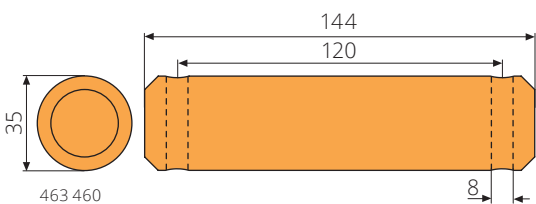
Article no.	Product	Description
463 453	Slide profile	465x20x50mm, for apron plate, plastic
463 450	Slide profile	640x20x50mm, for apron plate, plastic



Article no.	Product	Description
463 454	Slide profile	1495x35x145mm, for compaction plate, bottom, plastic
463 452	Slide profile	1950x40x135mm, for compaction plate, plastic

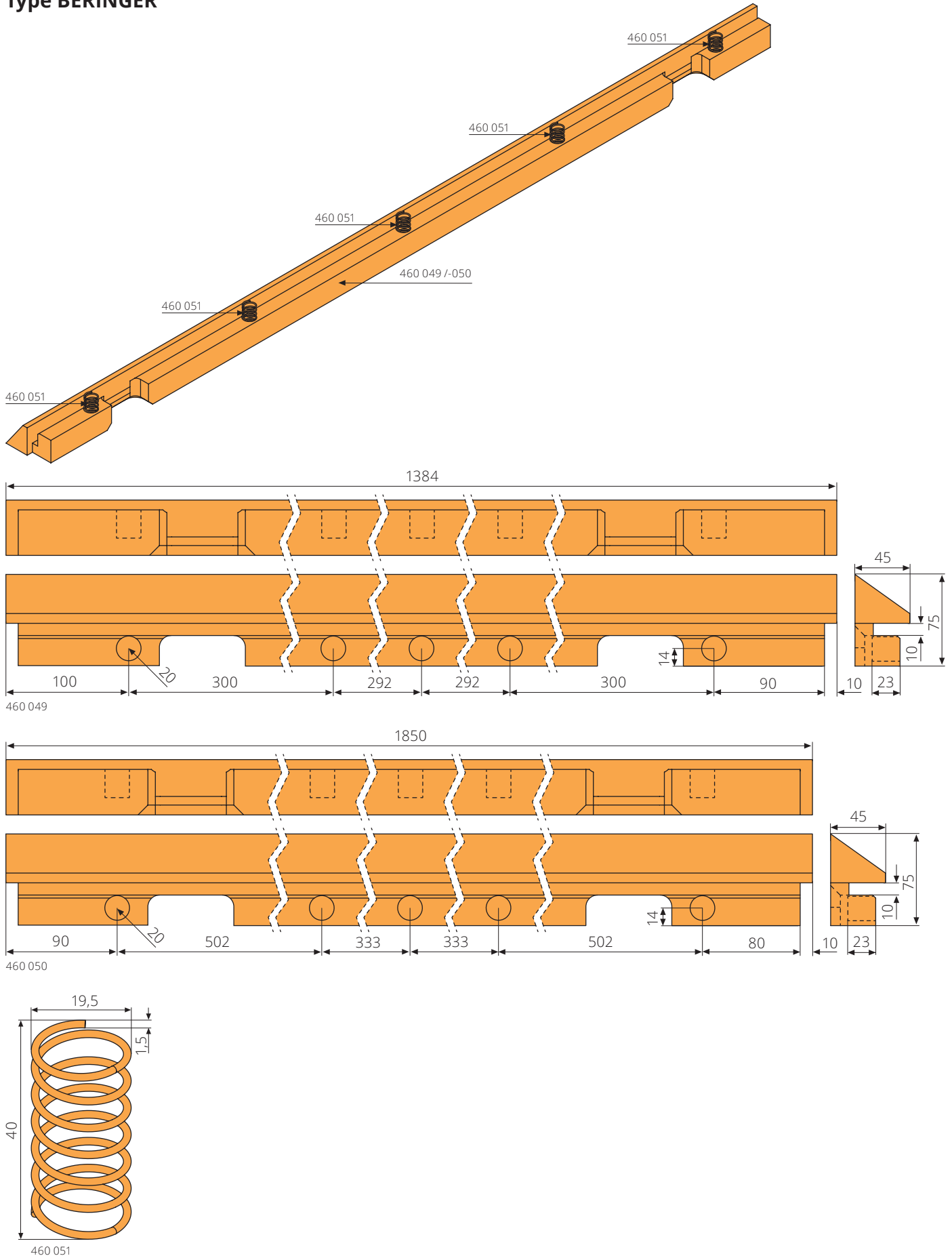


Article no.	Product	Description
463 451	Guide profile	148x75x90mm, for compaction plate, plastic



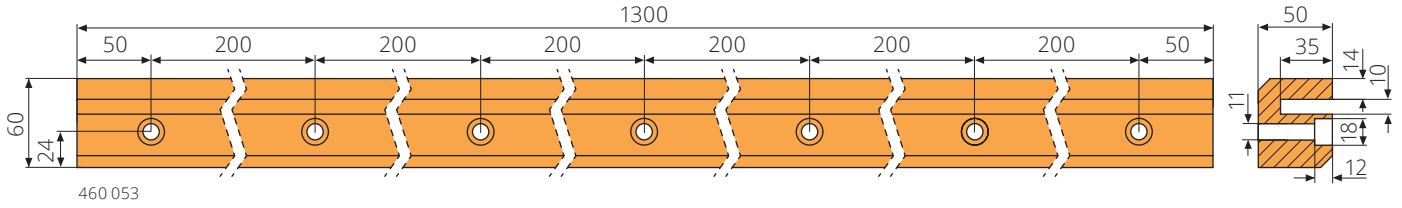
Article no.	Product	Description
463 460	Bolt	35x144mm, 42CrMo4, induction hardened
463 461	Bolt	35x234mm, 42CrMo4, induction hardened

Type BERINGER

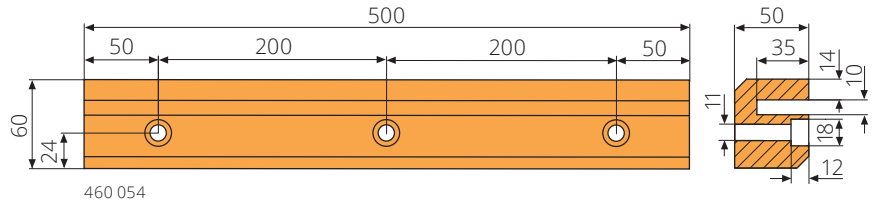


Article no.	Product	Description
460 049	Scraper	1384x45x75mm, plastic
460 050	Scraper	1850x45x75mm, plastic
460 051	Spring for guide profile	40x19,5mm, wire D=1,5mm, galvanized, 5 needed for one guide profile

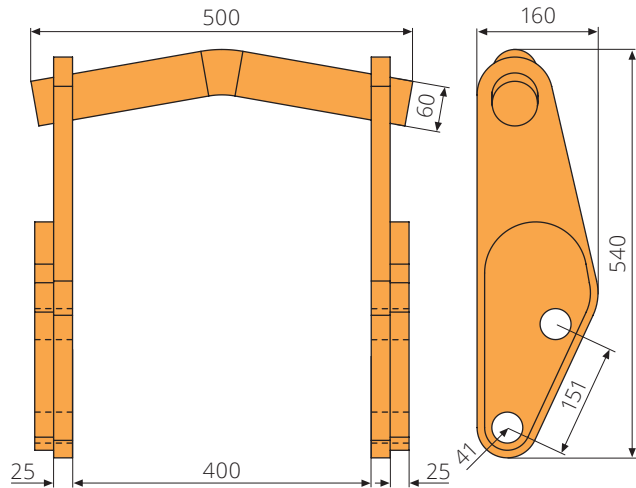
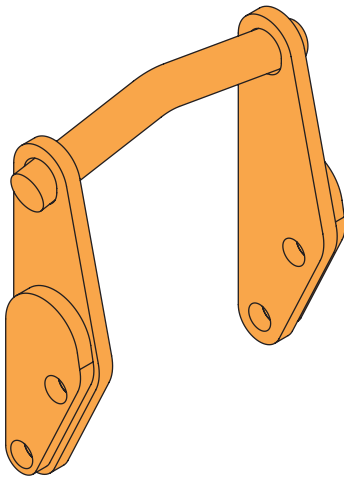
Type **BERINGER**



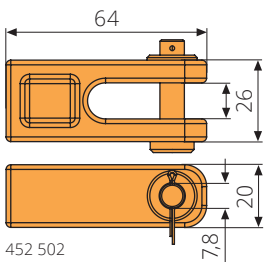
Article no.	Product	Description
460 053	Guide profile	1300x50x60mm, plastic, for X6



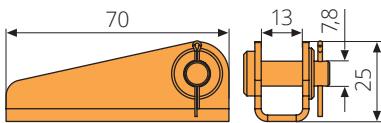
Article no.	Product	Description
460 054	Guide profile	500x50x60mm, plastic, for X6



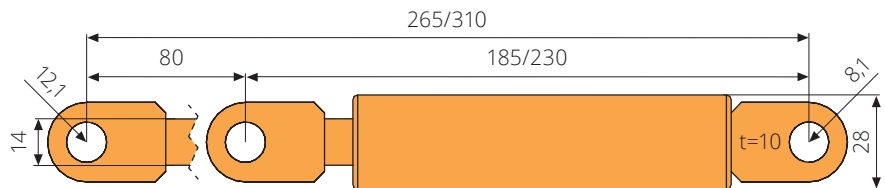
Article no.	Product	Description
460 060	Hinged lifting bar	60x500mm, S355J2+N



452 502



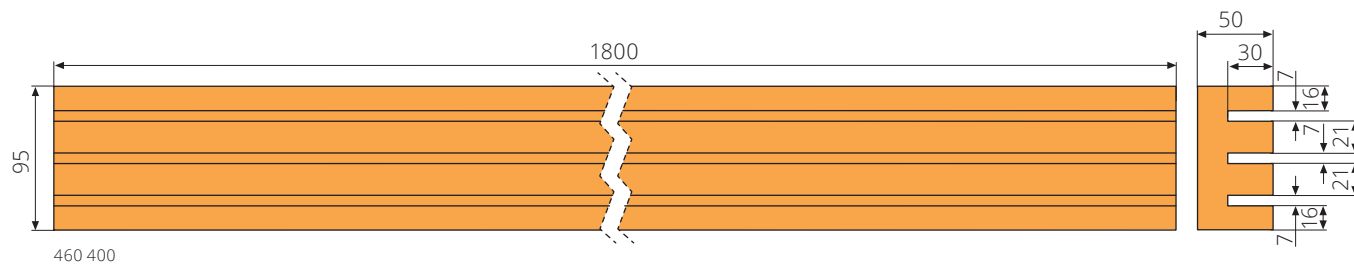
452 501



452 745 /-750

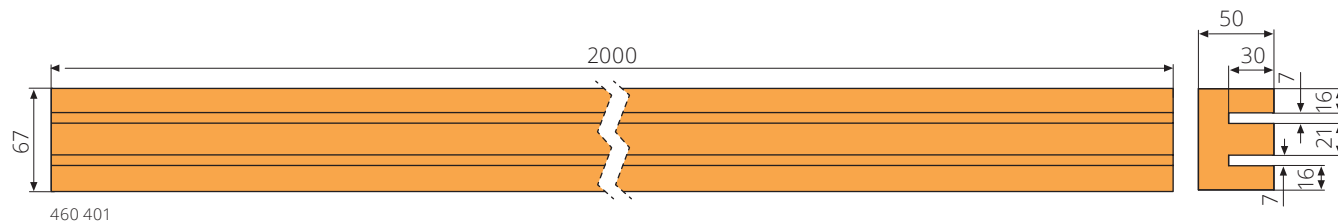
Article no.	Product	Description
452 745	Gas spring	L=265mm, 650N, stroke 80mm
452 750	Gas spring	L=310mm, 650N, stroke 80mm
452 501	Bracket for gas spring	with pin, cotter pin & washer
452 502	Bracket for gas spring	with pin, cotter pin & washer

Type HAGEMANN



460 400

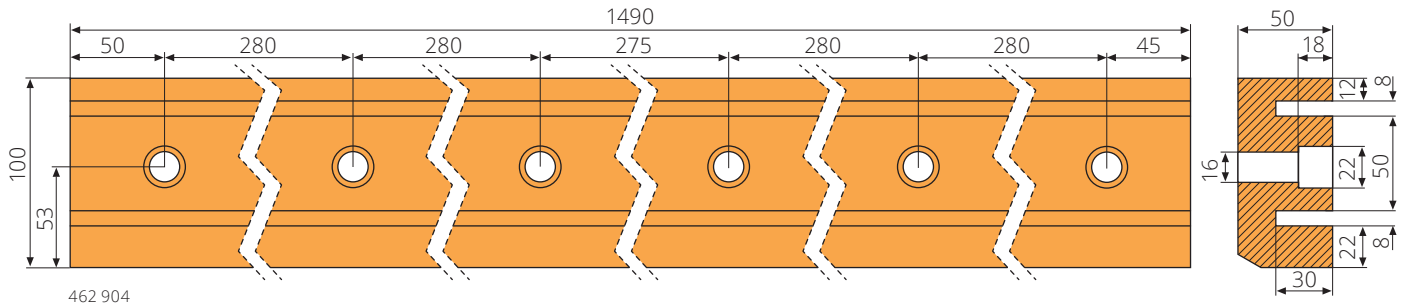
Article no.	Product	Description
460 400	Guide profile	1800x50x95mm, plastic, OEM 01.1822



460 401

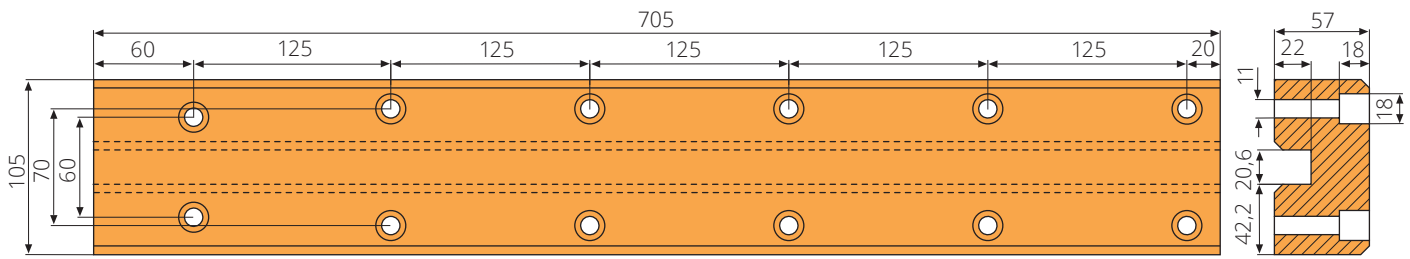
Article no.	Product	Description
460 401	Guide profile	2000x50x67mm, plastic, OEM 90.0475

Type HAUHINCO



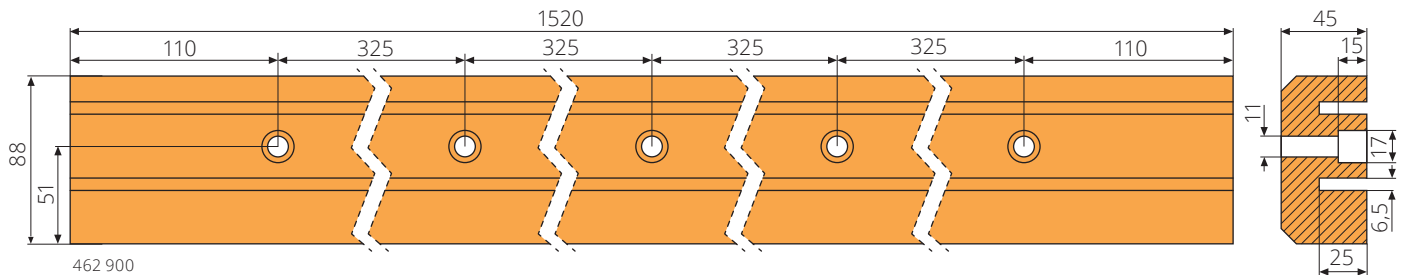
462 904

Article no.	Product	Description
462 904	Guide profile	1490x50x100mm, plastic



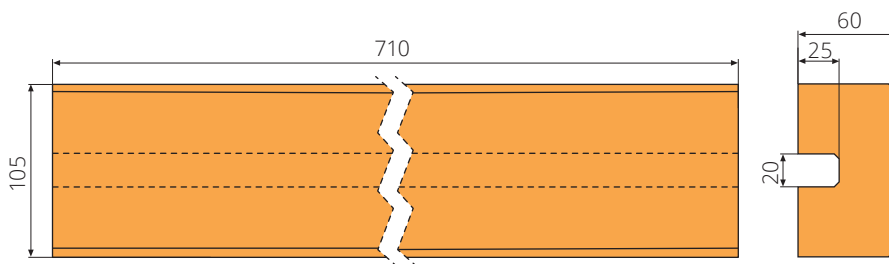
462 910

Article no.	Product	Description
462 910	Guide profile	705x57x105mm, plastic



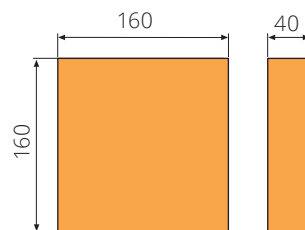
462 900

Article no.	Product	Description
462 900	Guide profile	1520x45x88mm, plastic



462 895

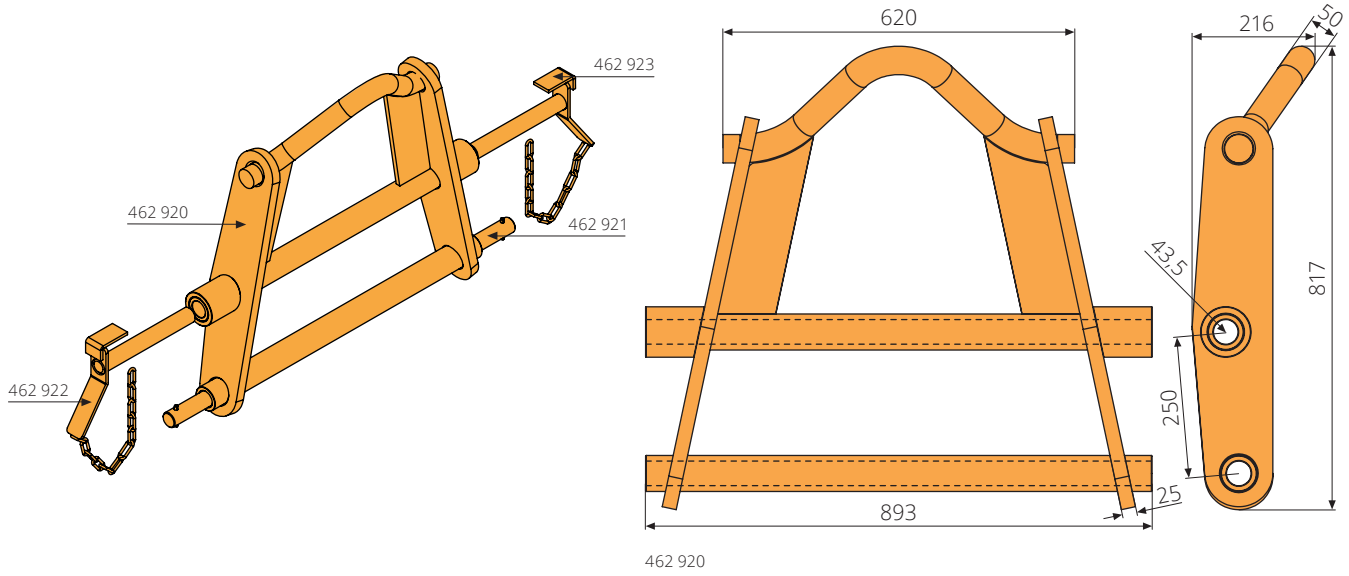
Article no.	Product	Description
462 895	Guide profile	710x60x105mm, plastic



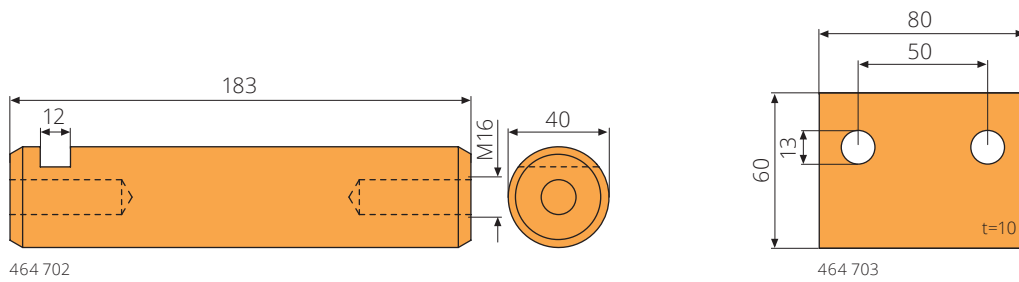
462 896

Article no.	Product	Description
462 896	Slide profile	160x160x40mm, plastic

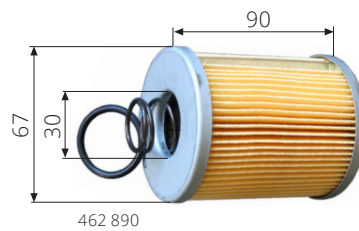
Type HAUHINCO



Article no.	Product	Description
462 920	Hinged lifting bar	50x893mm, S355J2+N
462 923	Bracket for bolt locking	50x40x90mm, S235JR
462 922	Bolt with chain	40x300mm, S355J2
462 921	Bolt with dowel pins	40x1140mm, S355J2

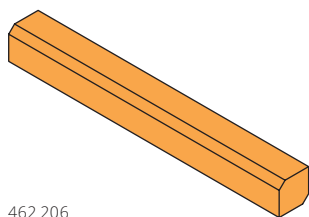


Article no.	Product	Description
464 702	Cylinder Bolt	40x183mm, 42CrMo4, hardened
464 703	Locking plate	80x60x10mm, S235JR

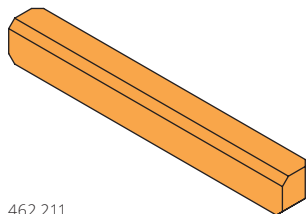
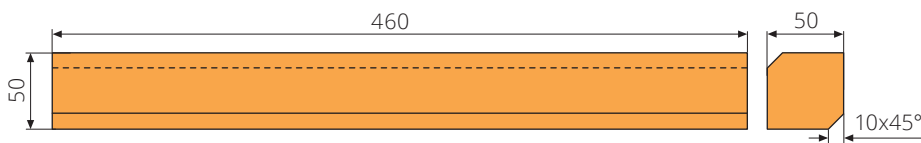


Article no.	Product	Description
462 890	Filter cartridge	30-67-90mm, 25 micron, paper

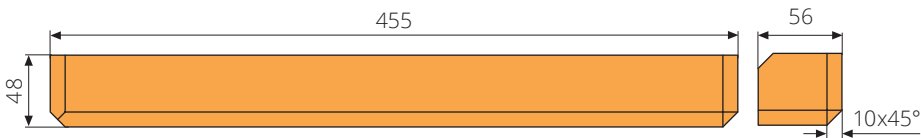
Type HUSMANN



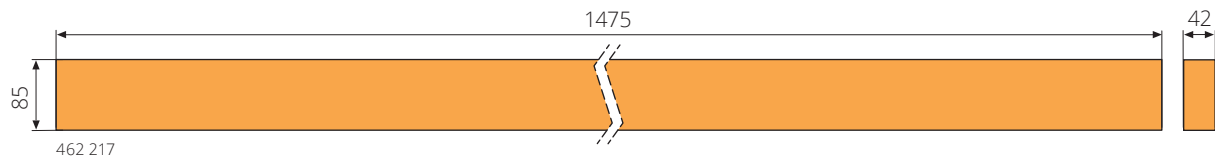
462 206



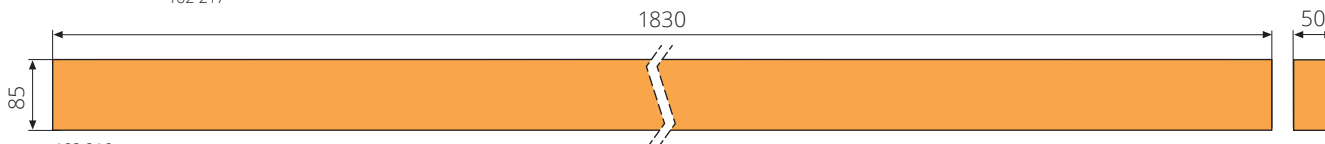
462 211



Article no.	Product	Description
462 206	Slide profile	460x50x50mm, plastic
462 211	Slide profile	455x56x48mm, plastic

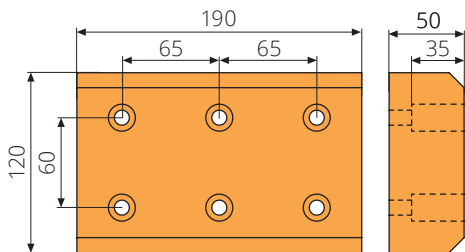


462 217

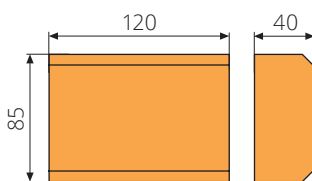


462 216

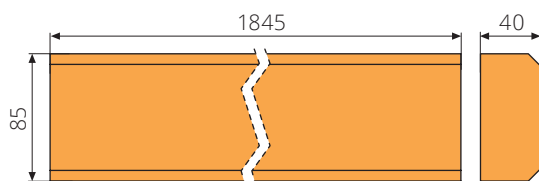
Article no.	Product	Description
462 217	Slide profile	1475x42x85mm, plastic, for compaction plate
462 216	Slide profile	1830x50x85mm, plastic



462 219

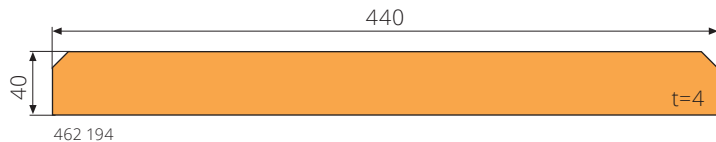


462 209

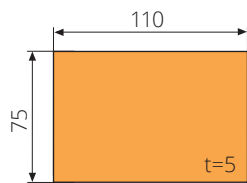


462 208

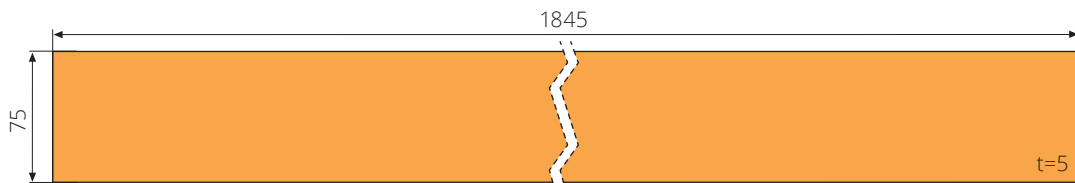
Article no.	Product	Description
462 219	Slide profile	190x120x50mm, plastic
462 209	Slide profile	120x85x40mm, plastic, SEN 20
462 208	Slide profile	1845x85x40mm, plastic, SEN 20



462 194



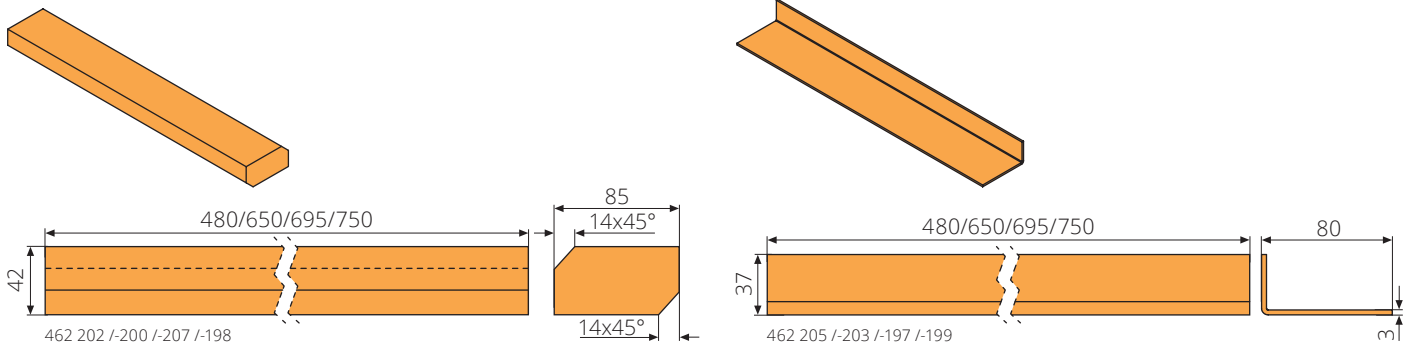
462 195



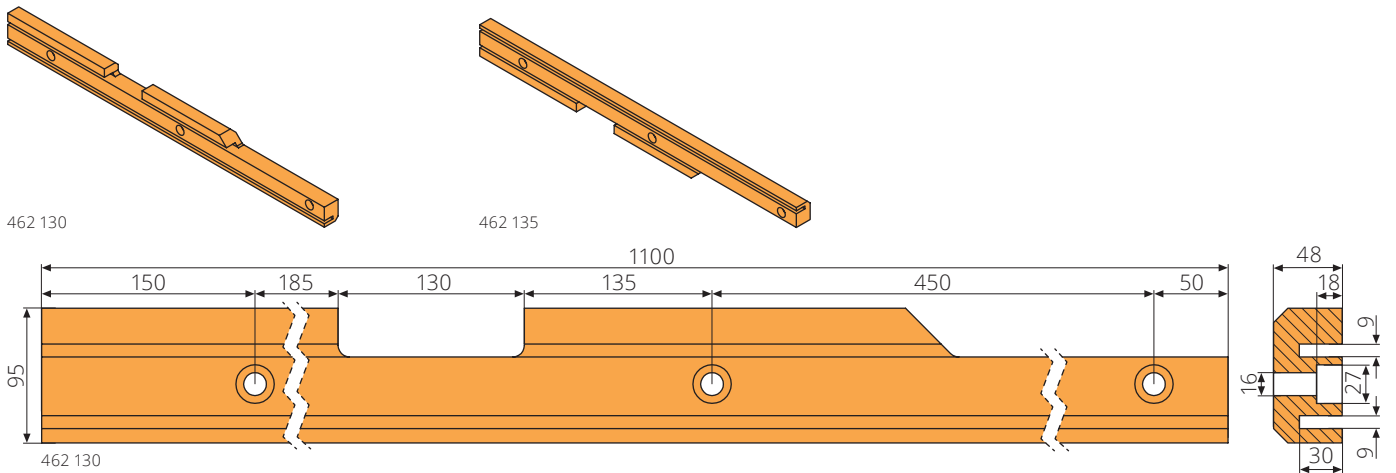
462 196

Article no.	Product	Description
462 194	Pressing plate	440x40x4mm, S355J2
462 195	Pressing plate	110x75x5mm, S355J2
462 196	Pressing plate	1845x75x5mm, S355J2

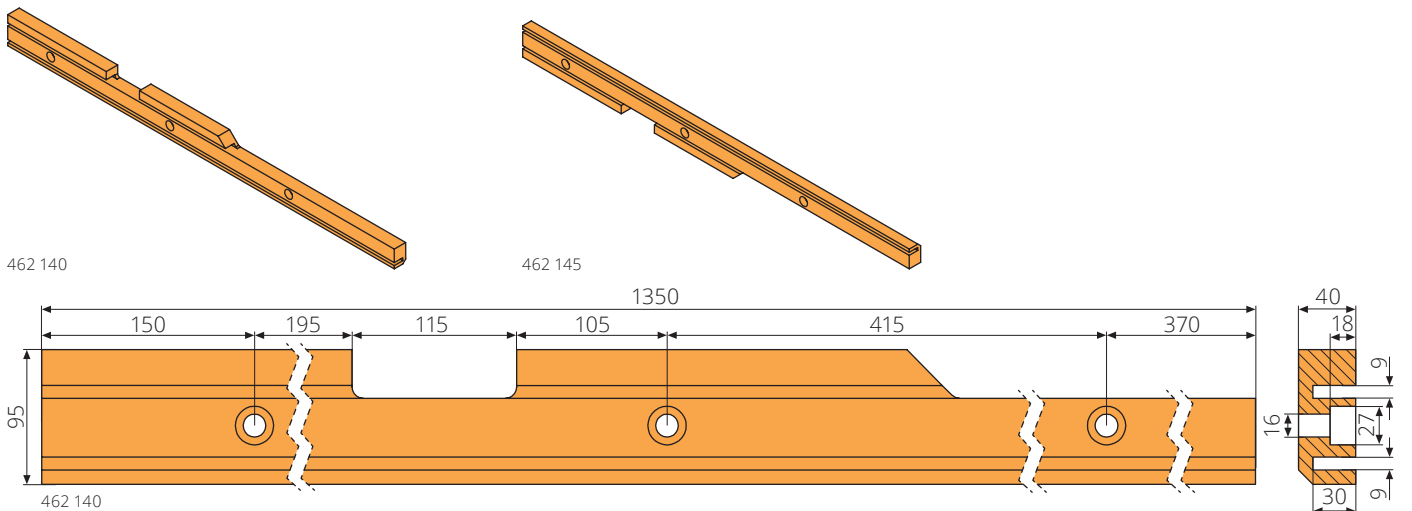
Type HUSMANN



Article no.	Product	Description
462 202	Slide profile	480x85x42mm, compaction plate, plastic
462 205	Angle profile	480x80x37mm, compaction plate, S355J2
462 200	Slide profile	650x85x42mm, compaction plate, plastic
462 203	Angle profile	650x80x37mm, compaction plate, S355J2
462 207	Slide profile	695x85x42mm, compaction plate, plastic
462 197	Angle profile	695x80x37mm, compaction plate, S355J2
462 198	Slide profile	750x85x42mm, compaction plate, plastic
462 199	Angle profile	750x80x37mm, compaction plate, S355J2

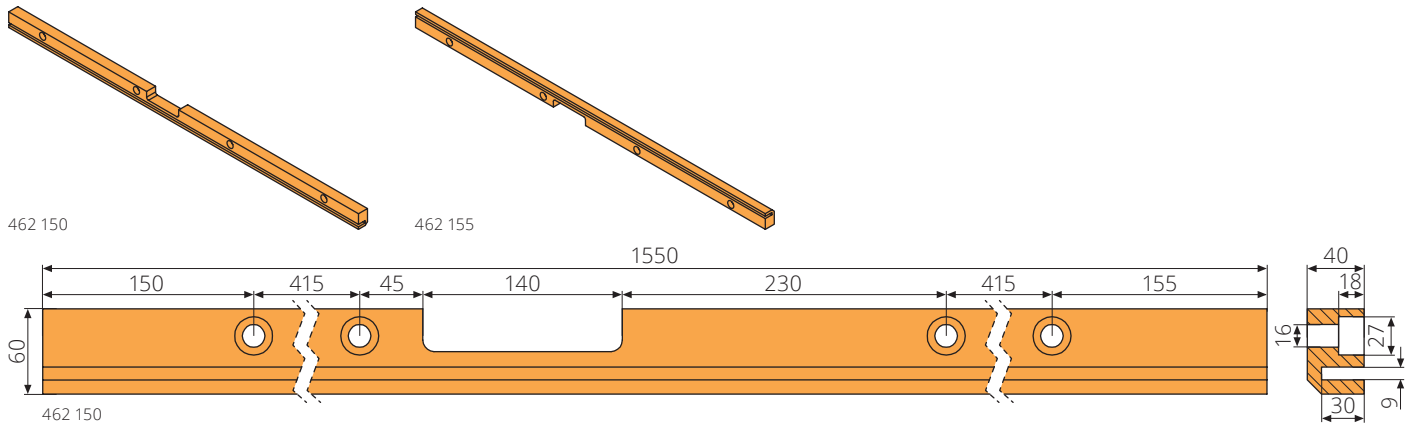


Article no.	Product	Description
462 130	Guide profile	1100x48x95mm, left, plastic
462 135	Guide profile	1100x48x95mm, right, plastic

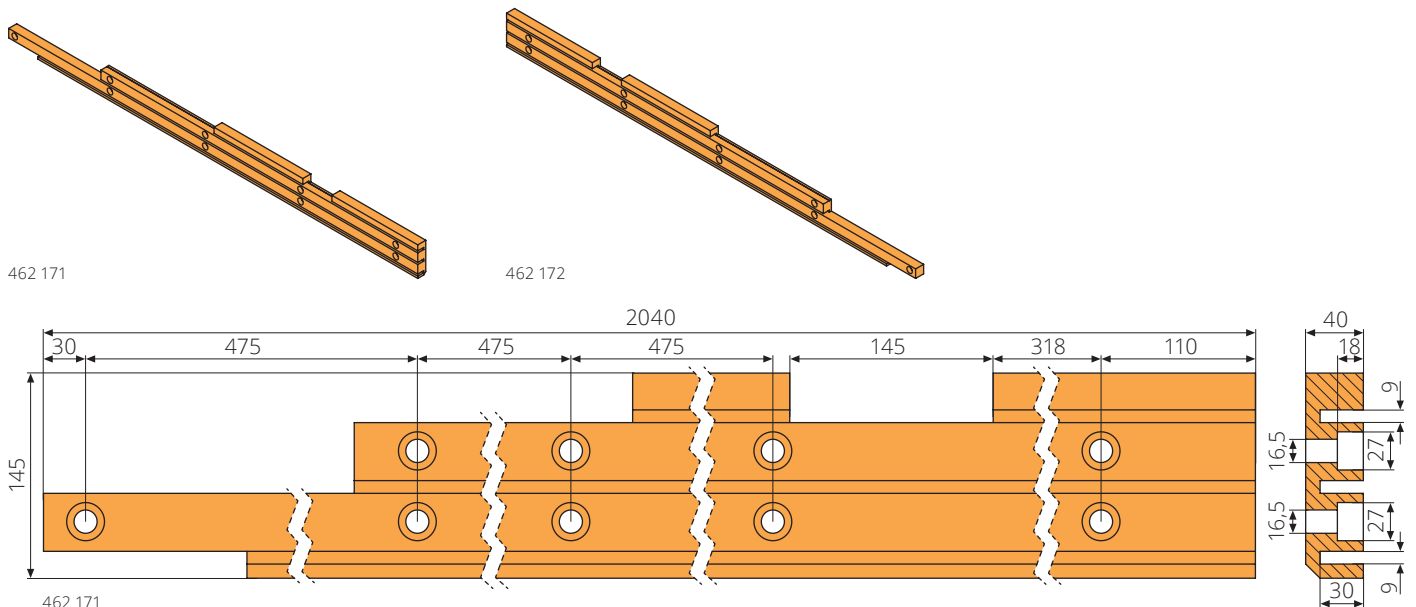


Article no.	Product	Description
462 140	Guide profile	1350x40x95mm, left, plastic
462 145	Guide profile	1350x40x95mm, right, plastic

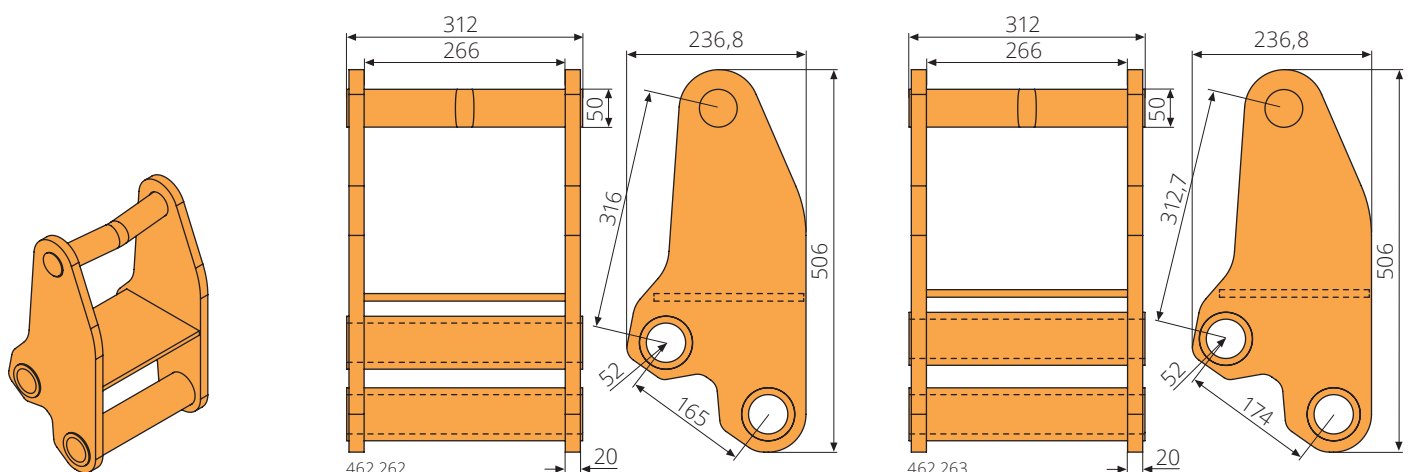
Type HUSMANN



Article no.	Product	Description
462 150	Guide profile	1550x40x60mm, left, plastic
462 155	Guide profile	1550x40x60mm, right, plastic



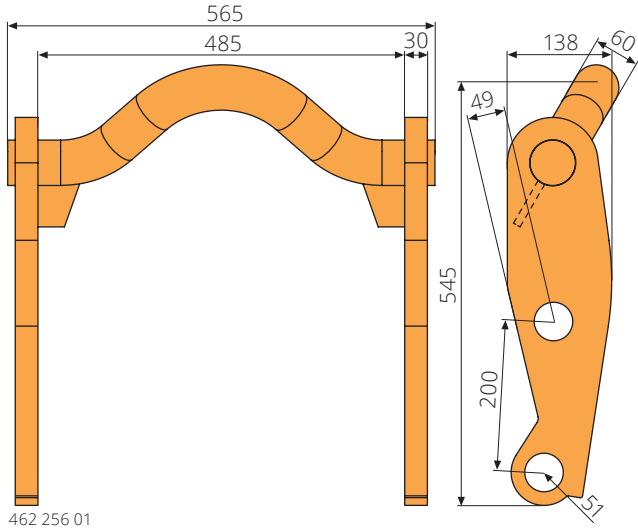
Article no.	Product	Description
462 171	Guide profile	2040x40x145mm, left, for apron plate, plastic
462 172	Guide profile	2040x40x145mm, right, for apron plate, plastic



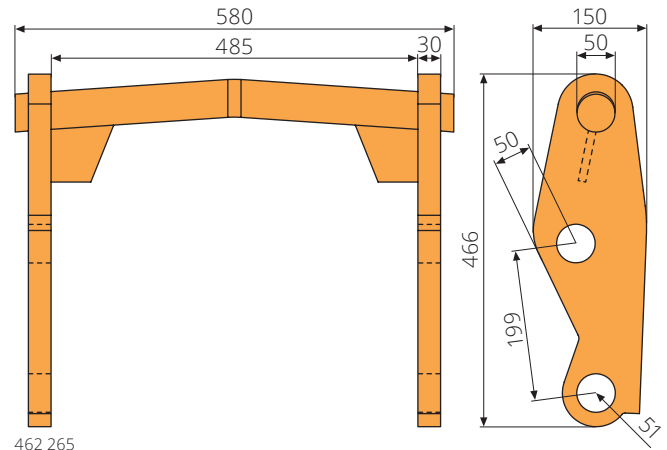
Article no.	Product	Description
462 262	Hinged lifting bar	50x312mm, S355J2+N, bore spacing 165mm
462 263	Hinged lifting bar	50x312mm, S355J2+N, bore spacing 174mm

Type HUSMANN

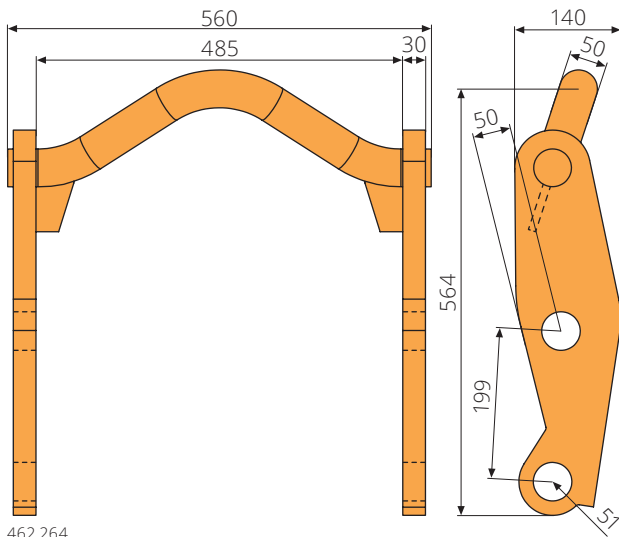
Type HUSMANN



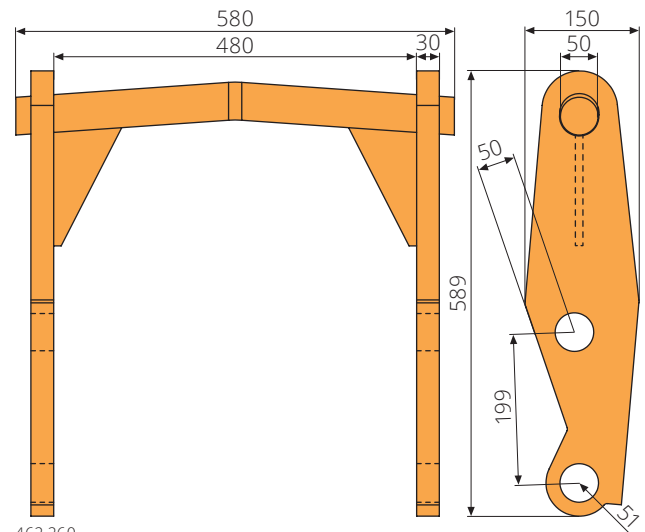
462 256 01



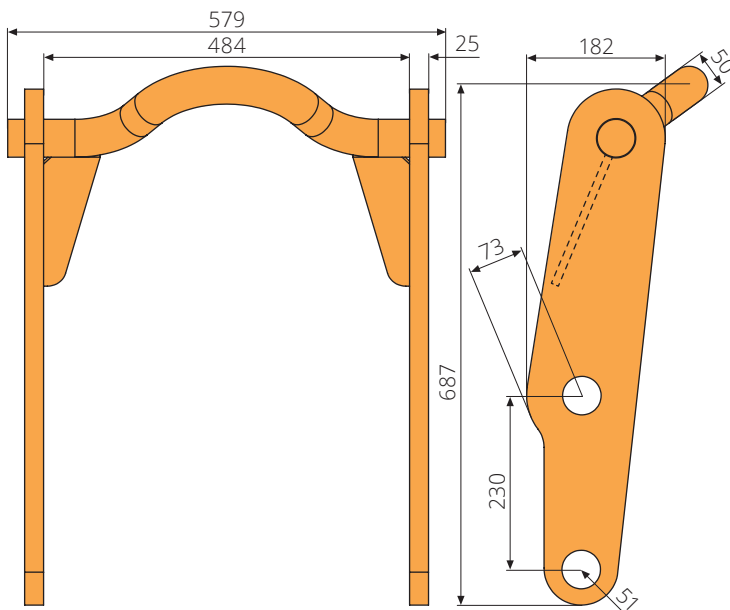
462 265



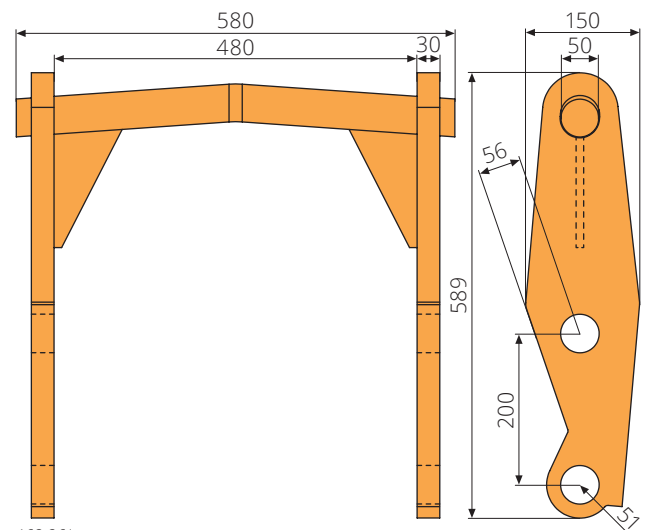
462 264



462 260



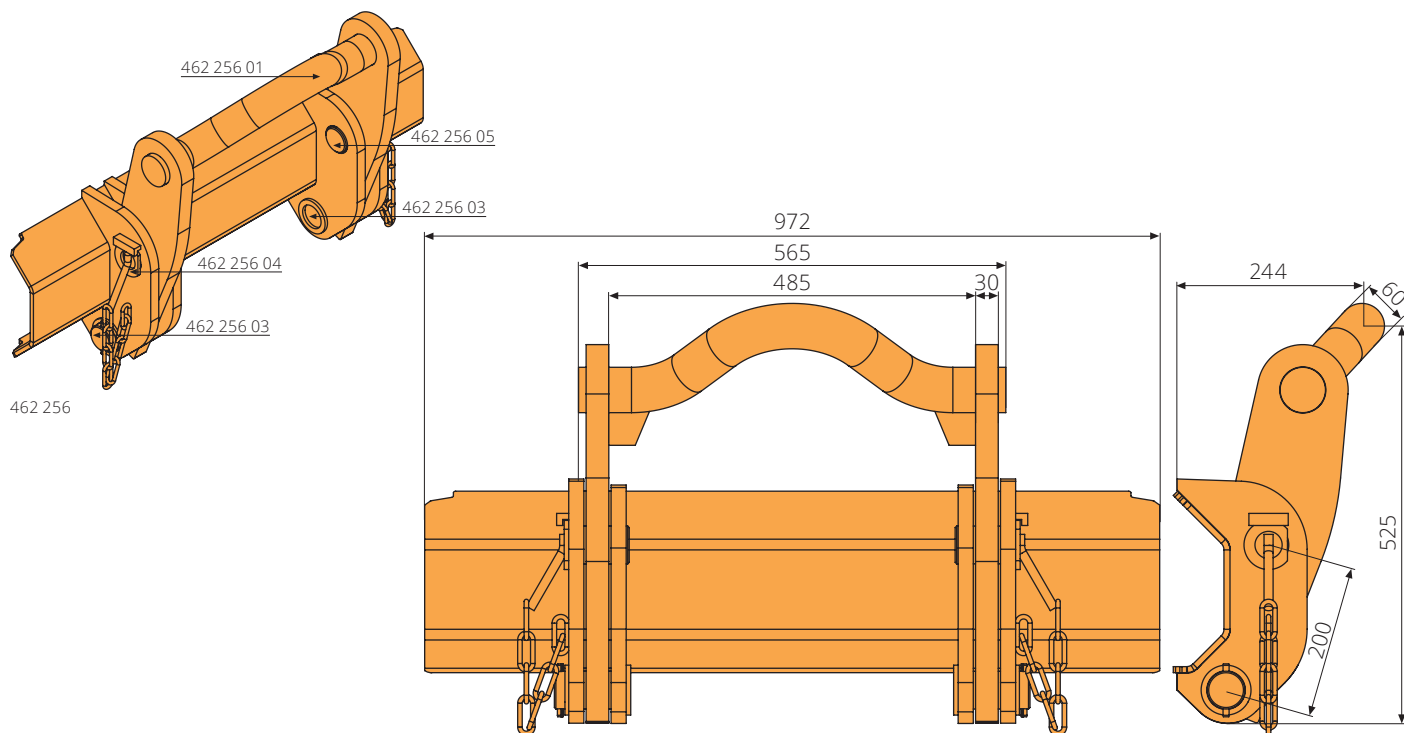
462 266



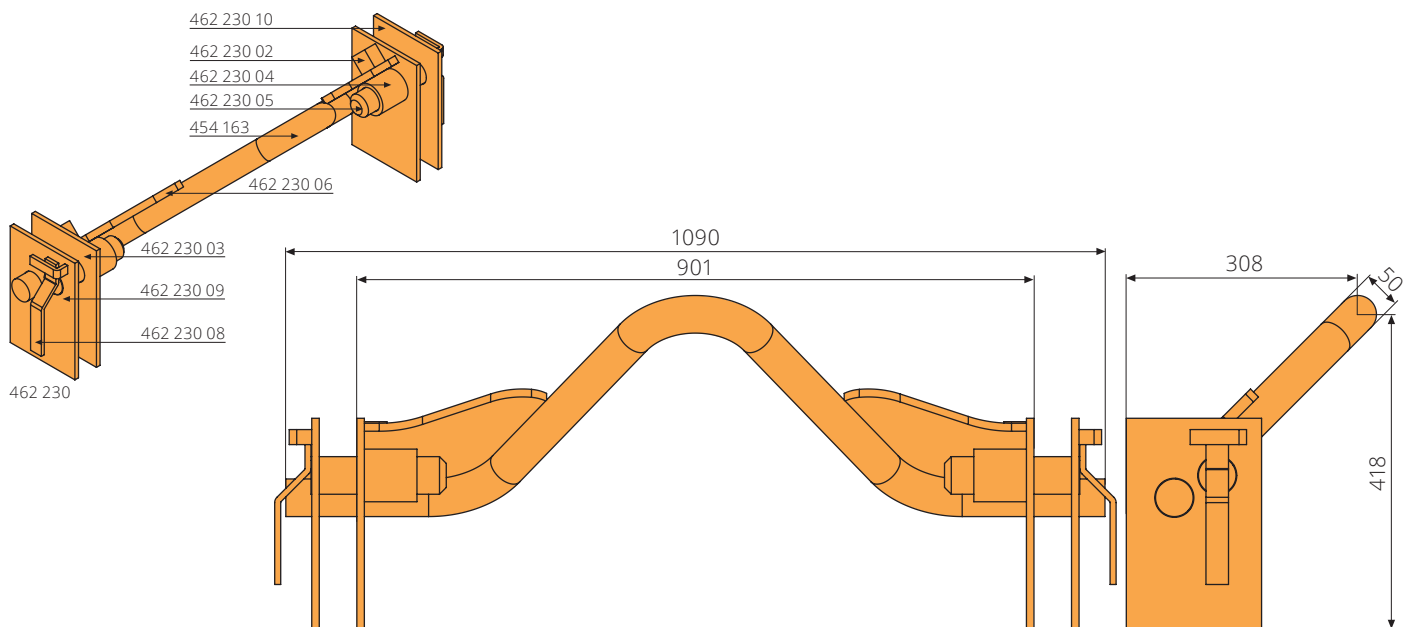
462 261

Article no.	Product	Description
462 256 01	Hinged lifting bar	60x565mm, S355J2+N, bore spacing 200mm, primed
462 264	Hinged lifting bar	50x560mm, S355J2+N, bore spacing 199mm
462 266	Hinged lifting bar	50x579mm, S355J2+N, bore spacing 230mm
462 265	Hinged lifting bar	50x580mm, S355J2+N, bore spacing 199mm
462 260	Hinged lifting bar	50x580mm, S355J2+N, bore spacing 199mm
462 261	Hinged lifting bar	50x580mm, S355J2+N, bore spacing 200mm

Type HUSMANN

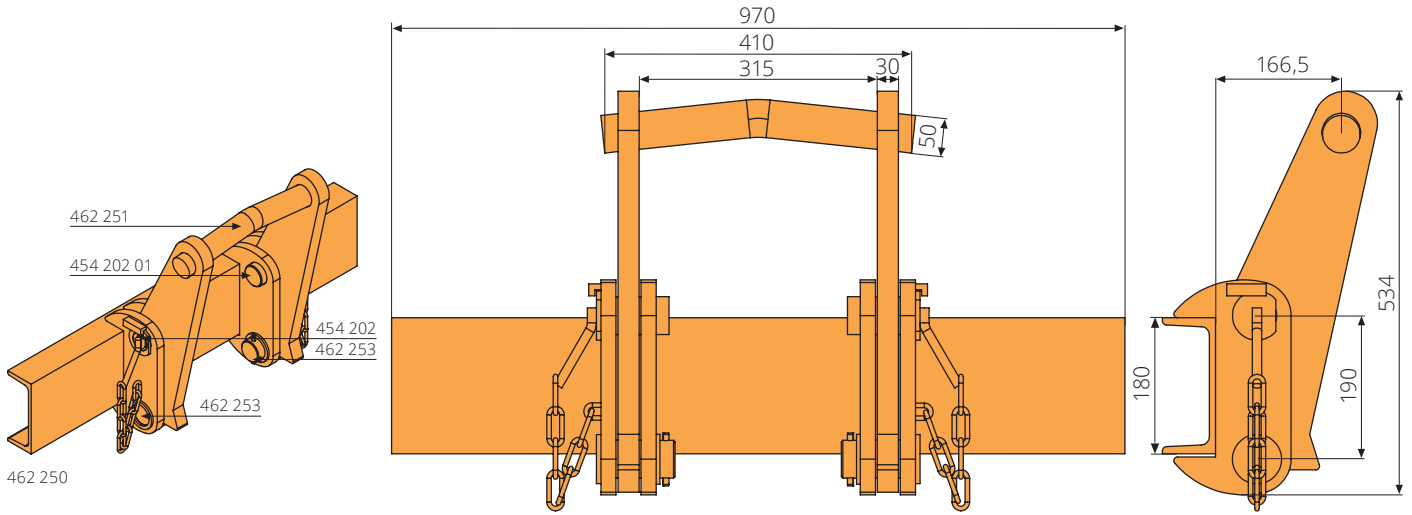


Article no.	Product	Description
462 256	Hinged lifting bar complete	60x972mm, S355J2+N
462 256 01	Hinged lifting bar	60x565mm, S355J2+N, bore spacing 200mm, primed
462 256 04	Bolt	50x80mm, left, with chain, galvanized
462 256 05	Bolt	50x80mm, right, with chain, galvanized
462 256 03	Bolt	50x95mm, galvanized

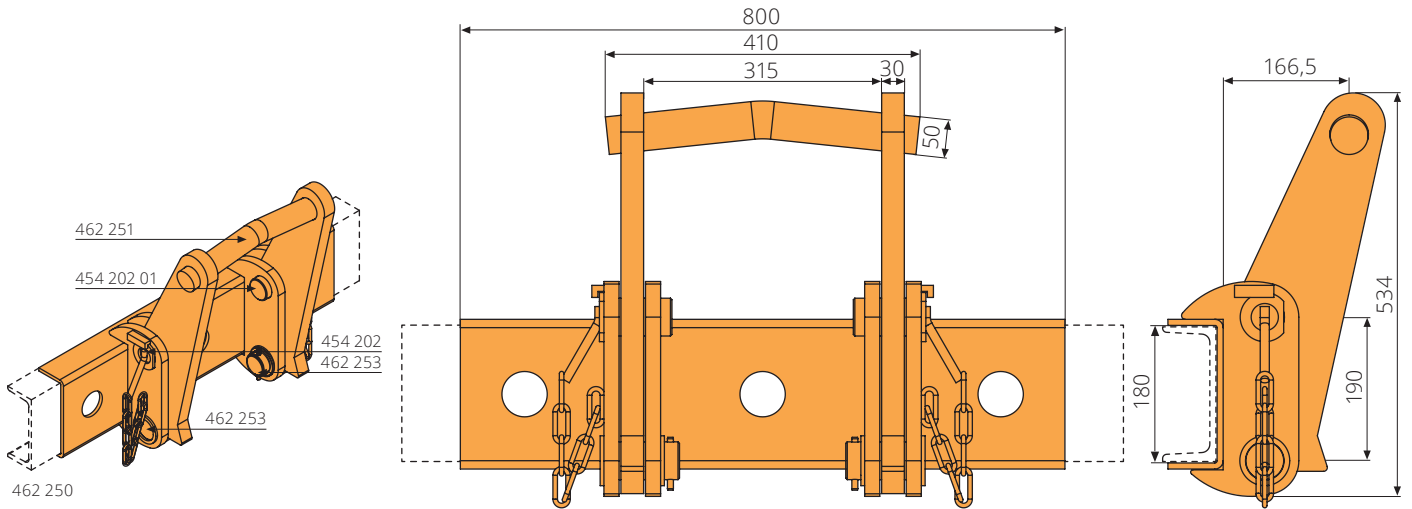


Article no.	Product	Description
462 230	Hinged lifting bar complete	50x1090mm, S355J2+N, delivery in individual parts
454 163	Lifting bar	50x345x1090mm, R75, cold-worked, S355J2+N
462 230 02	Stopper	50x40x30mm
462 230 03	Side plate	280x180x10mm, inside, without safety catch for bolt
462 230 09	Side plate	280x180x10mm, left, with safety catch for bolt
462 230 10	Side plate	280x180x10mm, right, with safety catch for bolt
462 230 04	Bushing	52-70-70mm
462 230 05	Bolt	50x180mm
462 230 06	Reinforcing plate	90x243x15mm
462 230 08	Handle	L=200mm, for bolt

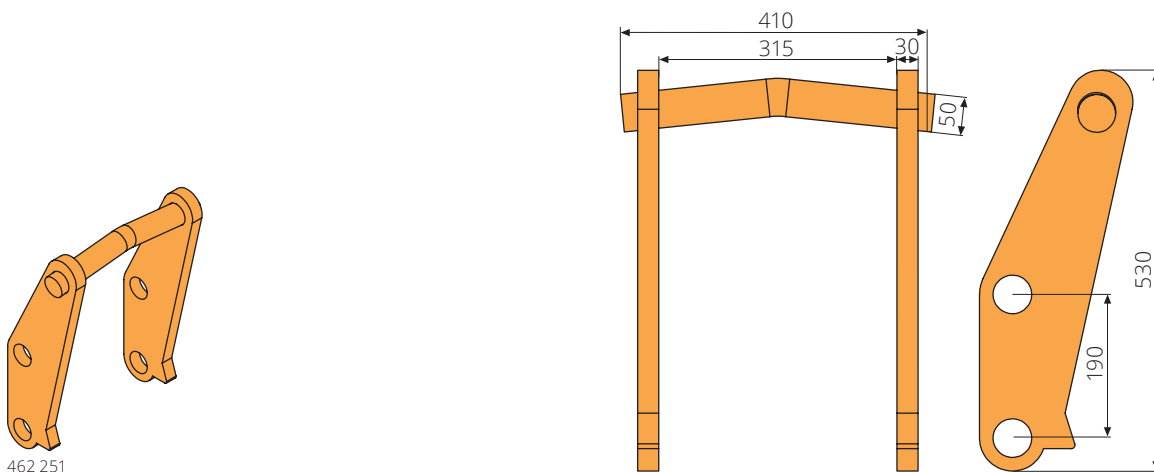
Type HUSMANN



Article no.	Product	Description
462 250	Hinged lifting bar complete	50x970mm, S355J2+N
462 251	Hinged lifting bar	50x410mm, S355J2+N, bore spacing 190mm
454 202	Bolt	50x90mm, left, with chain
454 202 01	Bolt	50x90mm, right, with chain
462 253	Bolt	50x100mm

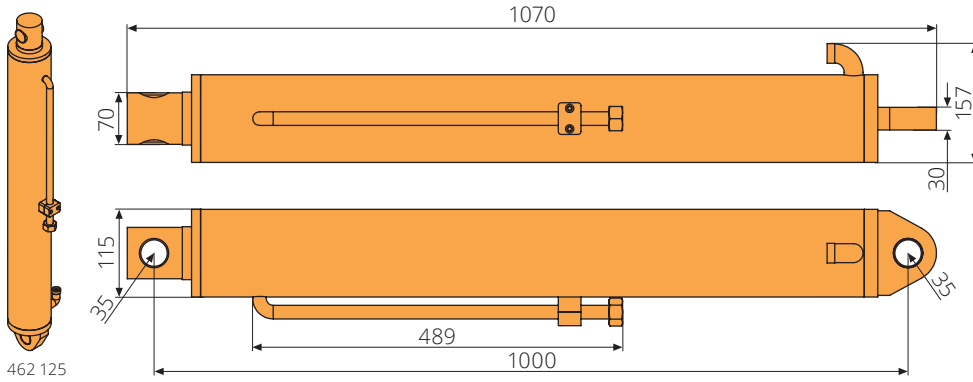


Article no.	Product	Description
462 255	Hinged lifting bar complete	50x800mm, S355J2+N
462 251	Hinged lifting bar	50x410mm, S355J2+N, bore spacing 190mm
454 202	Bolt	50x90mm, left, with chain
454 202 01	Bolt	50x90mm, right, with chain
462 253	Bolt	50x100mm

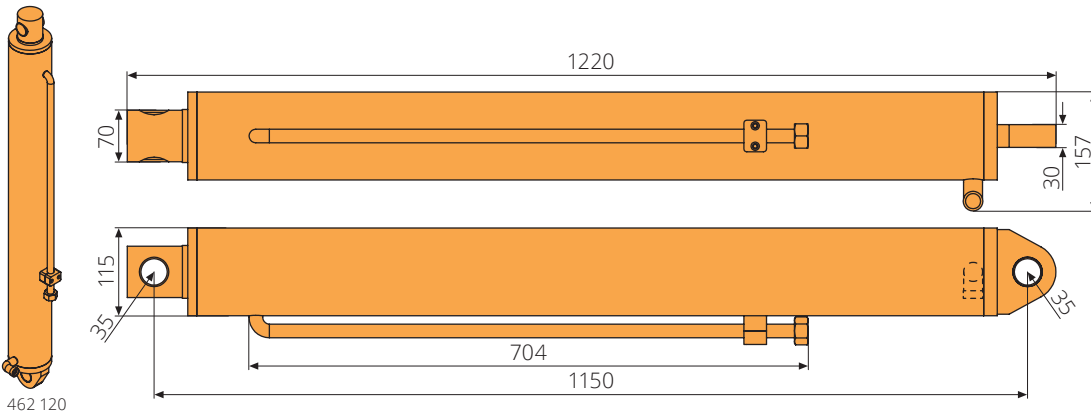


Article no.	Product	Description
462 251	Hinged lifting bar	50x410mm, S355J2+N, bore spacing 190mm

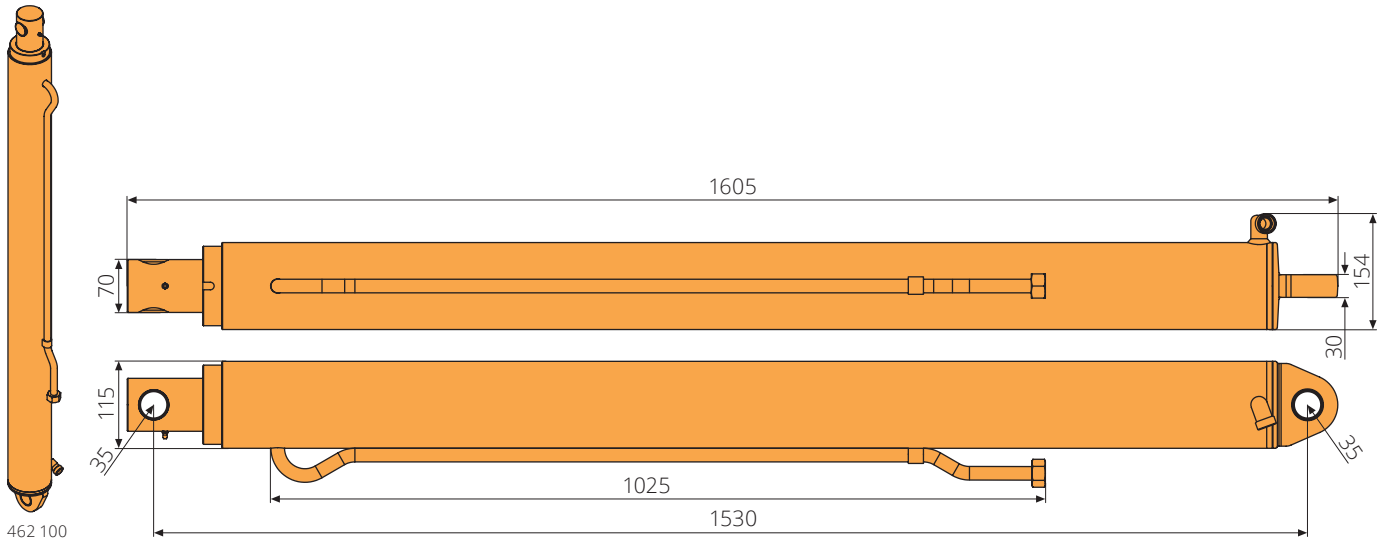
Type HUSMANN



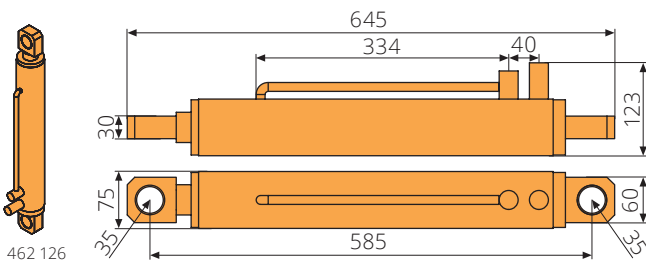
Article no.	Product	Description
462 125	Hydraulic cylinder	stroke 764mm, double-acting, 300bar, SPB/SEL, primed



Article no.	Product	Description
462 120	Hydraulic cylinder	stroke 914mm, double-acting, 300bar, SPB/SEL, primed

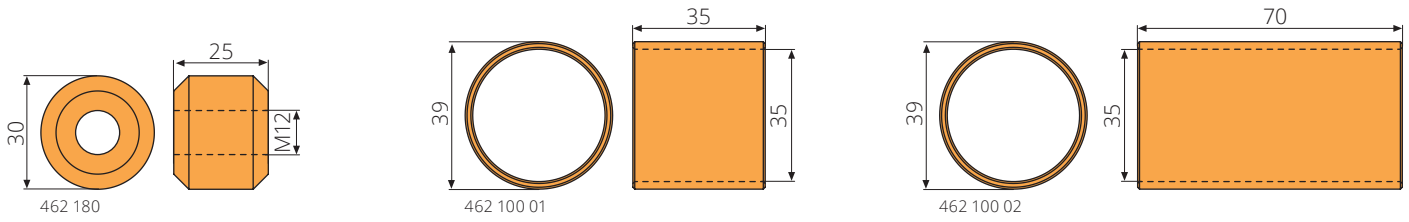


Article no.	Product	Description
462 100	Hydraulic cylinder	stroke 1240mm, double-acting, 300bar, SPB/SEL, primed

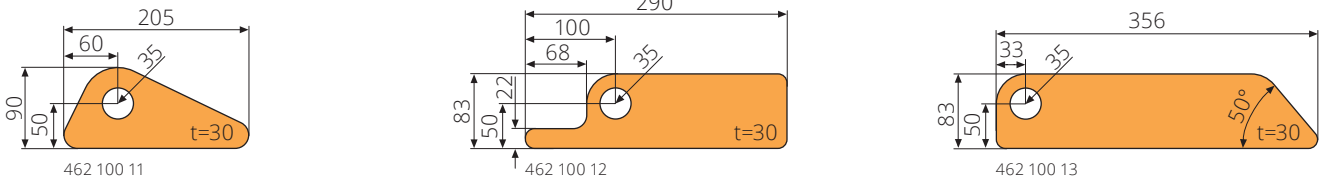


Article no.	Product	Description
462 126	Hydraulic cylinder	stroke 335mm, double-acting, 300bar, with cushioning, for HKV, primed

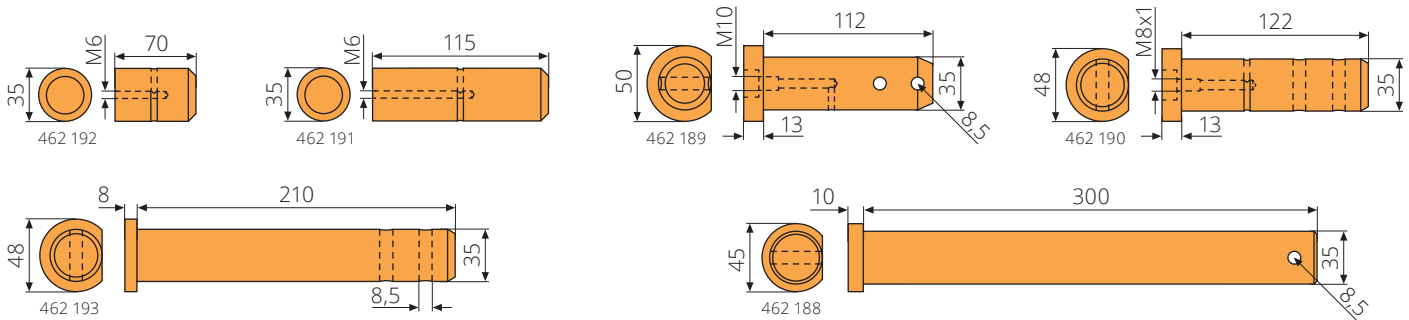
Type HUSMANN



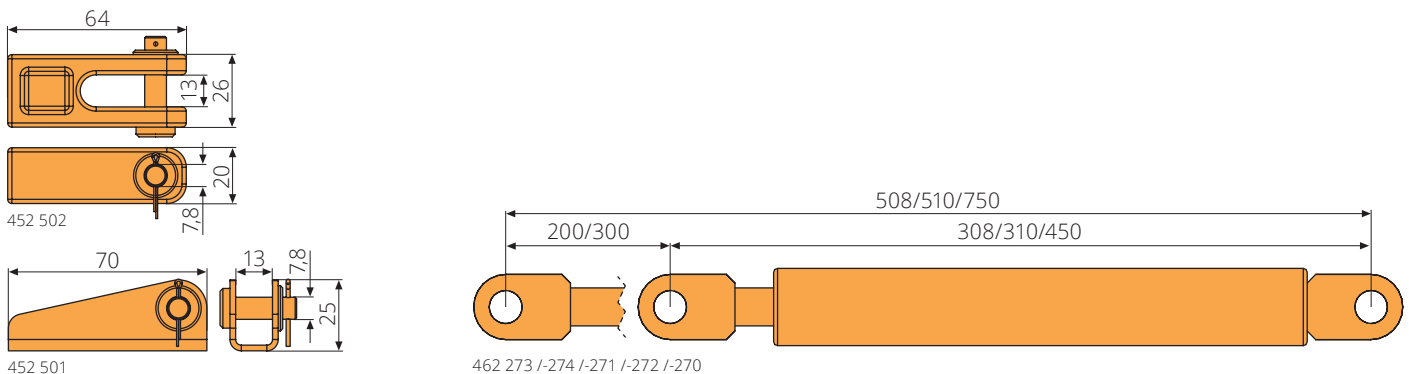
Article no.	Product	Description
462 180	Threaded bushing	M12-30-25mm, S355J2
462 100 01	Plain bearing	35-39-35mm
462 100 02	Plain bearing	35-39-70mm



Article no.	Product	Description
462 100 11	Cylinder arm	205x90mm, t=30mm, SEL
462 100 12	Cylinder arm	290x83mm, t=30mm, SEL
462 100 13	Cylinder arm	356x83mm, t=30mm, SEN



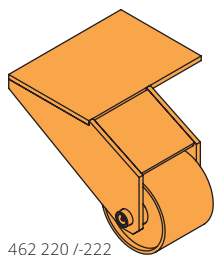
Article no.	Product	Description
462 192	Bolt	35x70mm, HKV, 42CrMo4, hardened
462 191	Bolt	35x115mm, HKV, 42CrMo4, hardened
462 189	Bolt	35x112mm, 42CrMo4, hardened
462 190	Bolt	35x122mm, SPB rear, 42CrMo4, hardened
462 193	Bolt	35x210mm, SPB front, 42CrMo4, hardened
462 188	Bolt	35x300mm, 42CrMo4, hardened



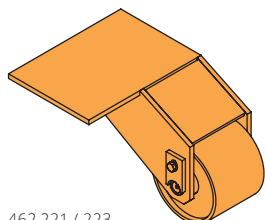
Article no.	Product	Description
452 502	Bracket for gas spring	with pin, cotter pin & washer
452 501	Bracket for gas spring	with pin, cotter pin & washer

Article no.	Product	Description
462 273	Gas spring	L=508mm, 2000N, stroke 200mm, eyes with thread
462 274	Gas spring	L=510mm, 1000N, stroke 200mm, eyes with thread
462 271	Gas spring	L=510mm, 1500N, stroke 200mm, eyes with thread, OEM Nr. 01908020
462 272	Gas spring	L=510mm, 1750N, stroke 200mm, eyes with thread, OEM Nr. 01908025
462 270	Gas spring	L=750mm, 2000N, stroke 300mm, eyes with thread

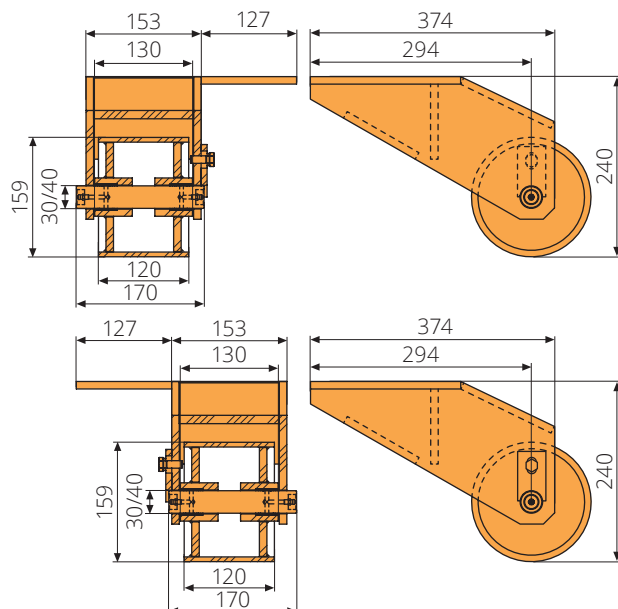
Type HUSMANN



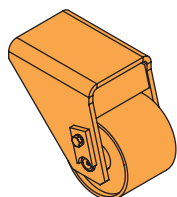
462 220 /-222



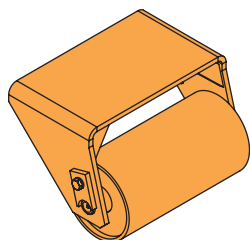
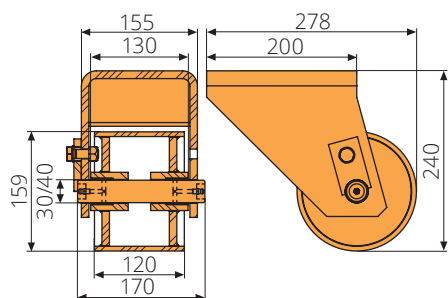
462 221 /-223



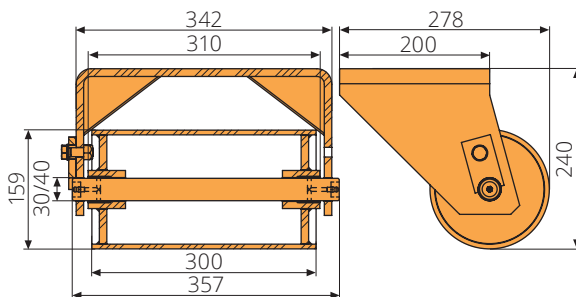
Article no.	Product	Description
462 220	Roller complete	30-159-120/130mm, left, lubrication, brass bushing
462 221	Roller complete	30-159-120/130mm, right, lubrication, brass bushing
462 222	Roller complete	40-159-120/130mm, left, lubrication, brass bushing
462 223	Roller complete	40-159-120/130mm, right, lubrication, brass bushing



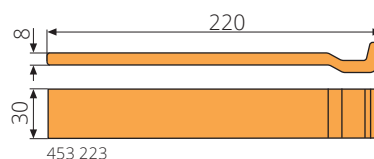
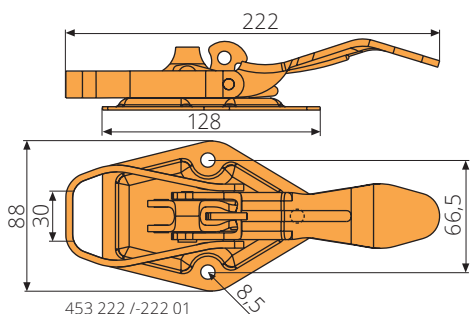
462 226 /-227



462 225 /-228



Article no.	Product	Description
462 226	Roller complete	30-159-120/130mm, lubrication, brass bushing
462 225	Roller complete	30-159-300/310mm, lubrication, brass bushing
462 227	Roller complete	40-159-120/130mm, lubrication, brass bushing
462 228	Roller complete	40-159-300/310mm, lubrication, brass bushing

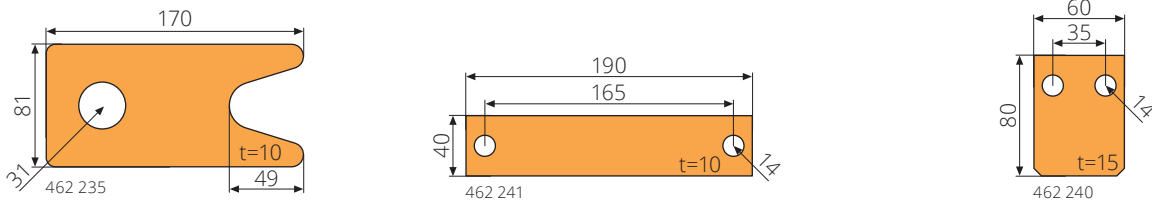


Article no.	Product	Description
453 222 01	Over centre lock	stroke 50mm, with automatic safety latch, Danish model, galvanized
453 223	Counterhold for over centre locks	30x220mm, for over centre locks 453 222 /-222 01

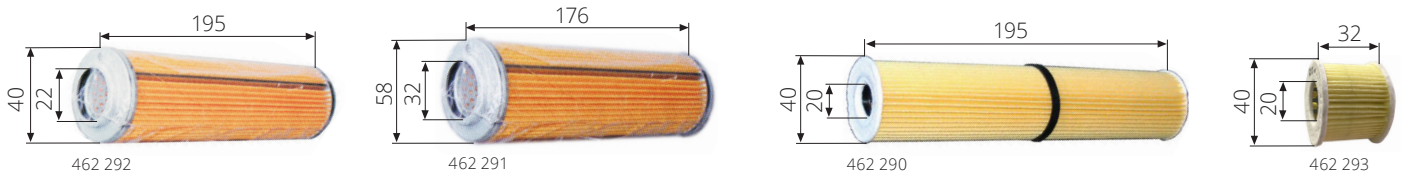
Type HUSMANN



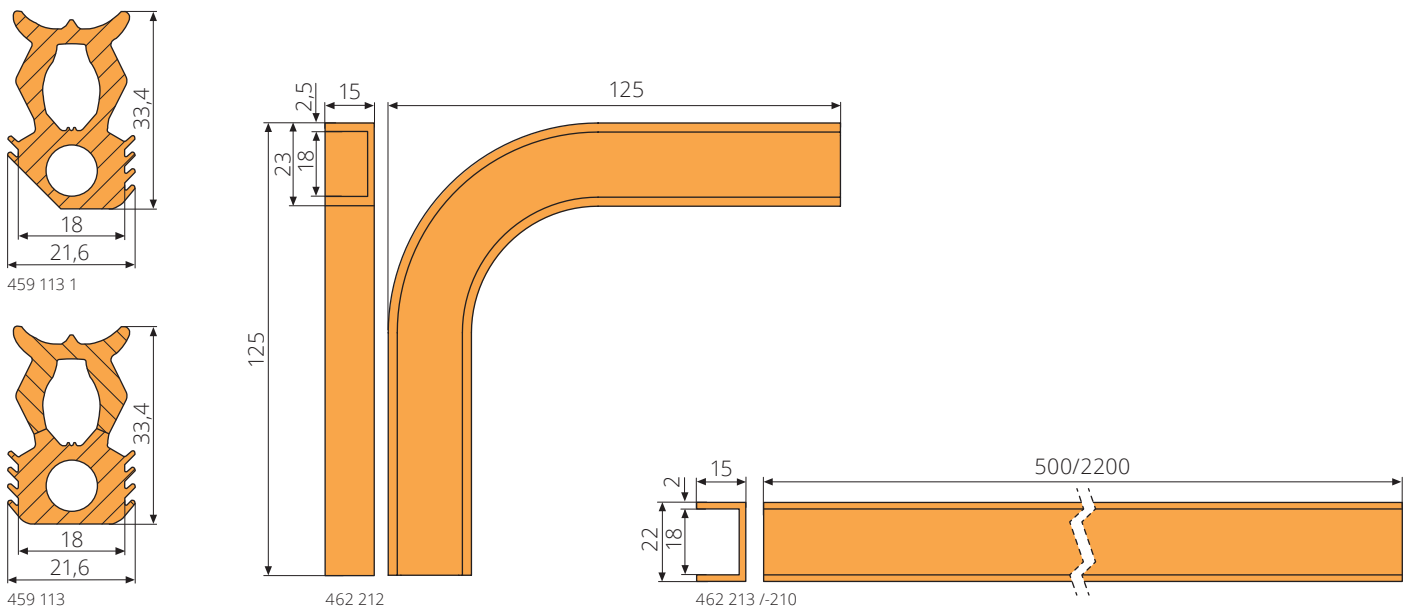
Article no.	Product	Description
451 013	Hinge	16x100x66mm, left
451 012	Hinge	16x100x66mm, right



Article no.	Product	Description
462 235	Welding plate	170x81x10mm, S355J2, for door locking system
462 241	Catch	40x190x10mm, S235JR, primed
462 240	Catch	80x60x15mm, S235JR, primed



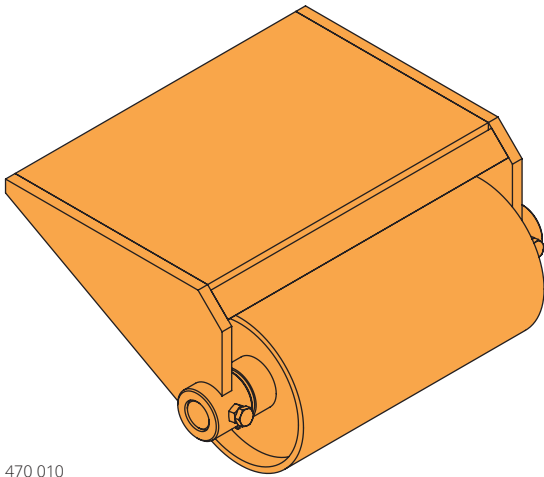
ArtikelNr	Product	Description
462 292	Filtereinsatz	22-40-195mm, 25 mikron/Papier
462 291	Filtereinsatz	32-58-176mm, 25 mikron/Papier
462 290	Filtereinsatz	20-40-195mm, 25 mikron/Papier
462 293	Filtereinsatz	20-40-32mm, 3 Stück, 10 mikron/Papier



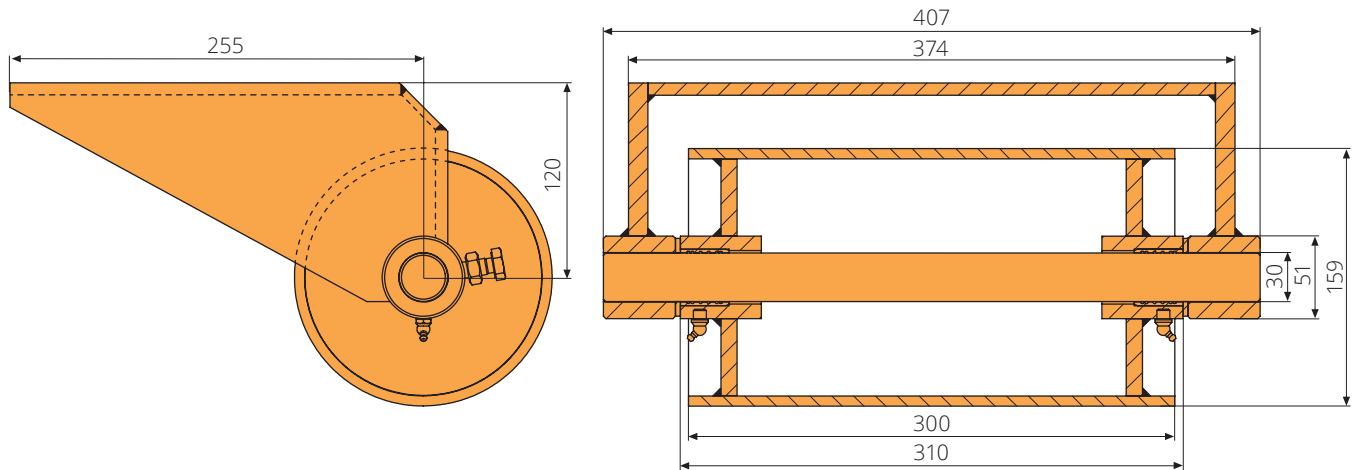
Article no.	Product	Description
459 113 1	Solid rubber seal	21,6x33,4mm, 20m bundle
459 113	Seal for compactors	21,6x33,4mm, 2 types of rubber, 20m bundle

Article no.	Product	Description
462 212	U-profile	125x23x15x2,5mm, 90° elbow, S355J2
462 213	U-profile	500x22x15x2mm, S355J2
462 210	U-profile	2200x22x15x2mm, S355J2

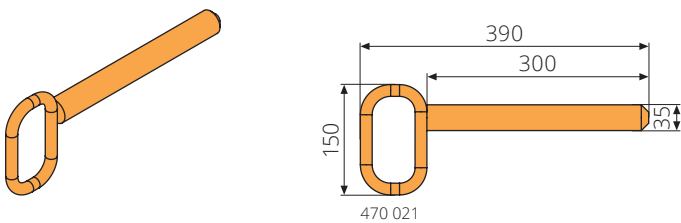
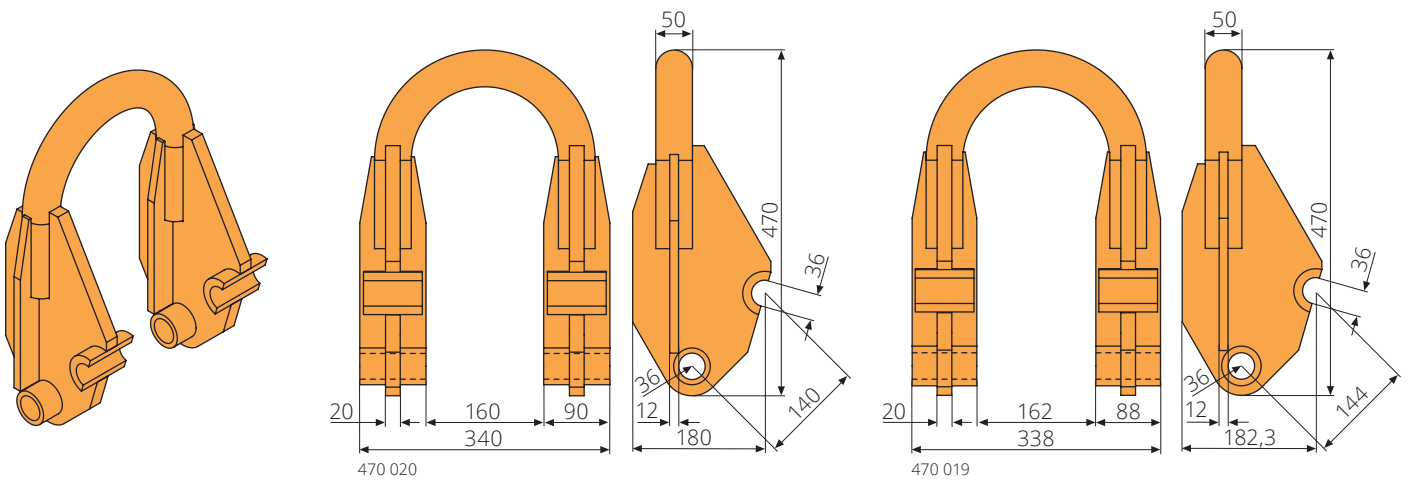
Type HÜFFERMANN



470 010

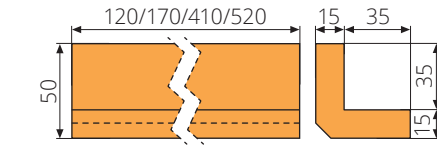
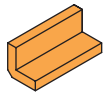
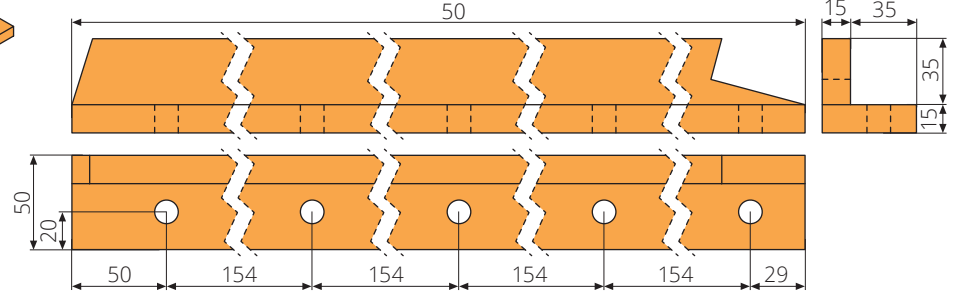
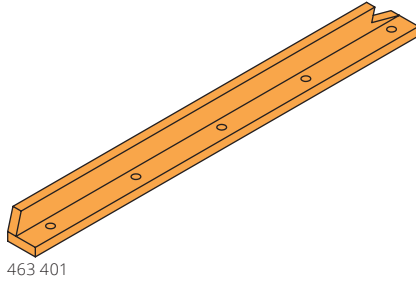
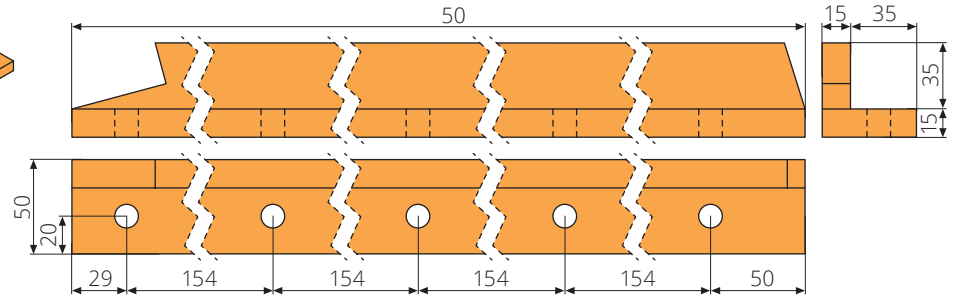
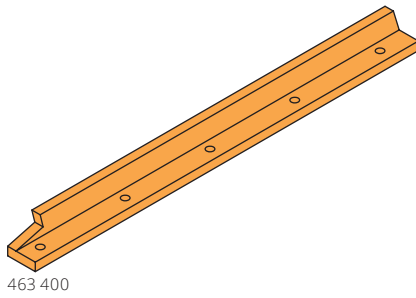


Article no.	Product	Description
470 010	Roller complete	30-159-300/310mm

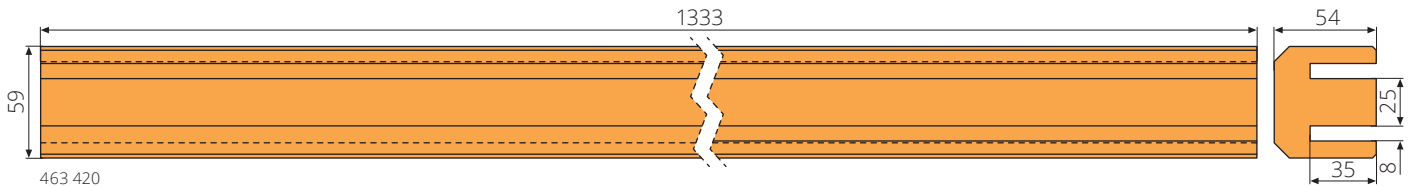
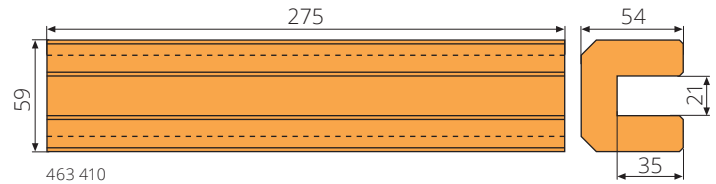
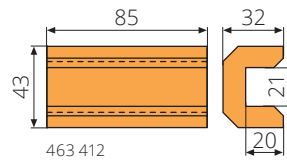
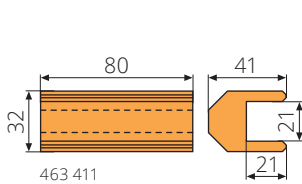


Article no.	Product	Description
470 020	Hinged lifting bar	50x340mm, S355J2+N
470 019	Hinged lifting bar	50x338mm, S355J2+N
470 021	Bolt	35x300mm, with handle

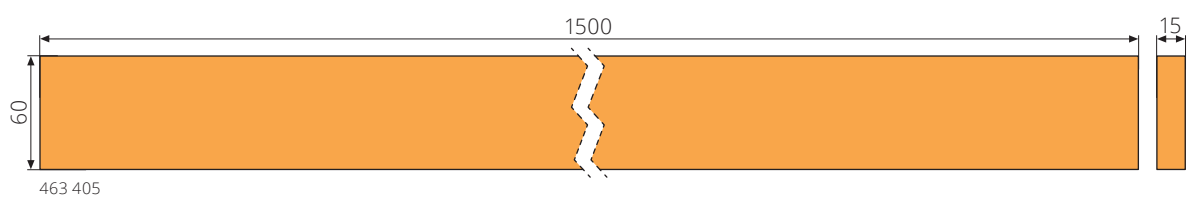
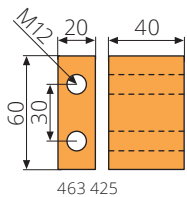
Type KLAUS



Article no.	Product	Description
463 400	Angled guide	695x50x50mm, left, plastic
463 401	Angled guide	695x50x50mm, right, plastic
463 408	Angled guide	120x50x50mm, bottom, plastic
463 407	Angled guide	170x50x50mm, bottom, plastic
463 406	Angled guide	410x50x50mm, top, plastic
463 409	Angled guide	520x50x50mm, top, plastic

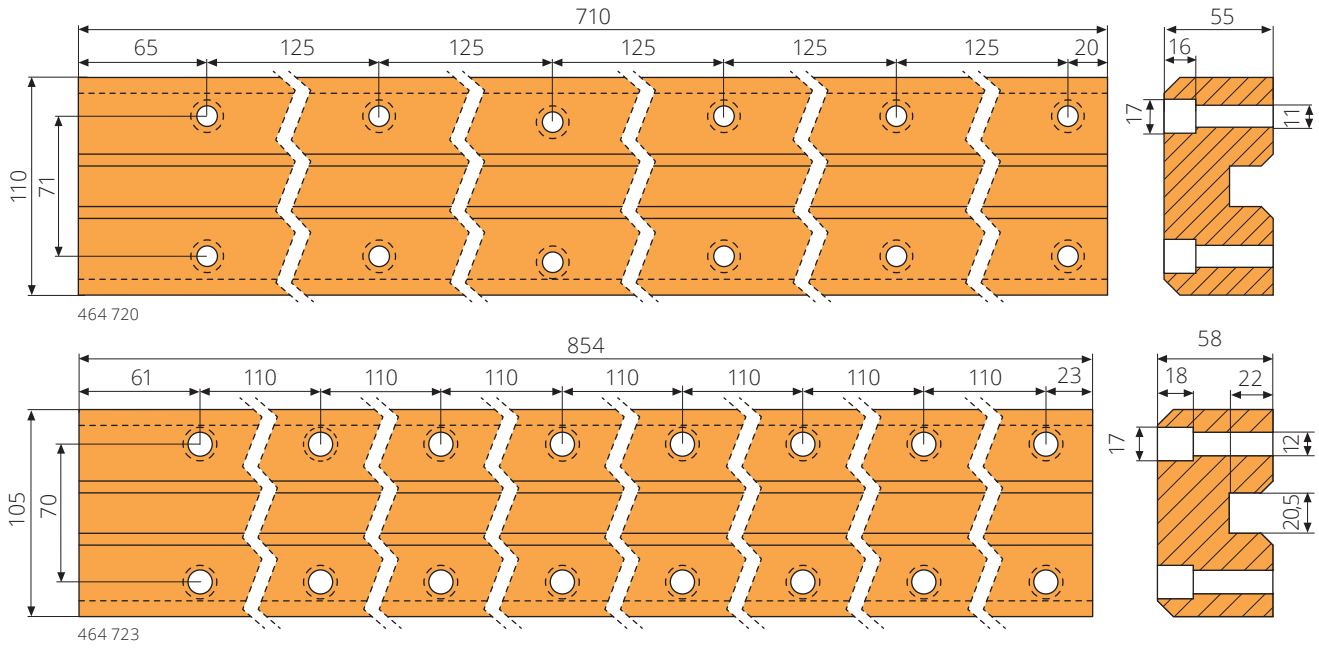


Article no.	Product	Description
463 411	Guide profile	80x32x41mm, plastic
463 412	Guide profile	85x43x32mm, top left/right, plastic
463 410	Guide profile	275x59x54mm, bottom left/right, plastic
463 420	Guide profile	1333x59x54mm, plastic

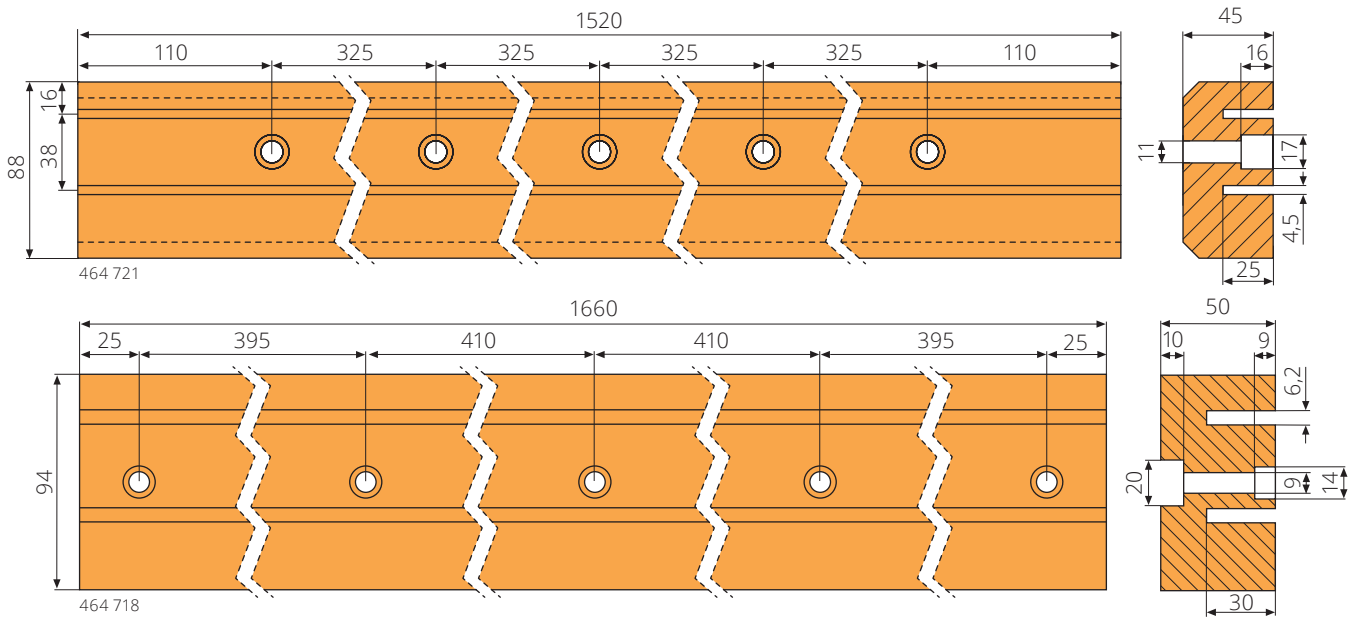


Article no.	Product	Description
463 425	Catch	60x20x40mm, steel, galvanized
463 405	Slide profile	1500x60x15mm, plastic

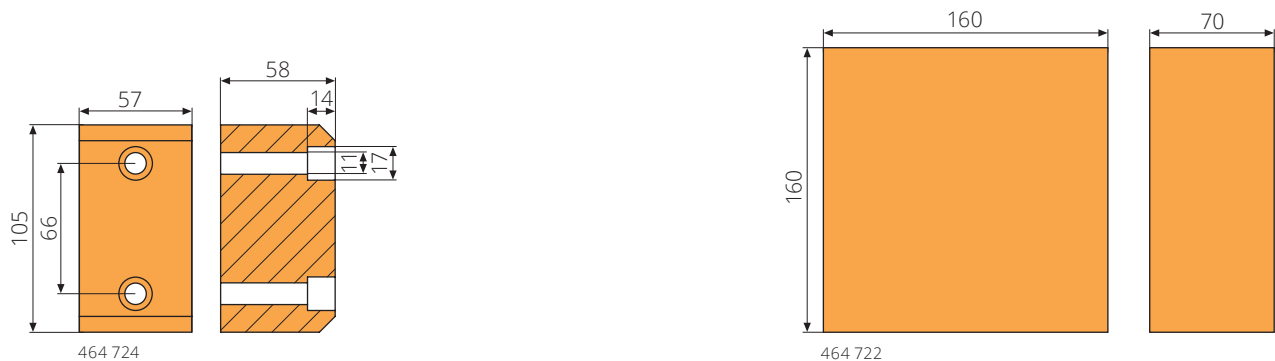
Type KNIERIM



Article no.	Product	Description
464 720	Guide profile	710x55x110mm, for compaction plate, plastic
464 723	Guide profile	854x58x105mm, plastic

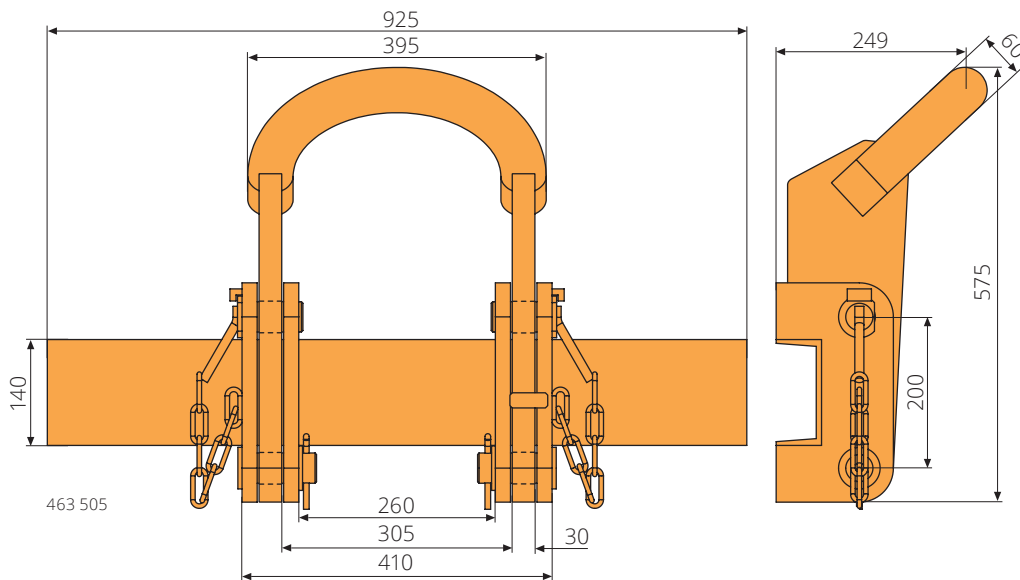
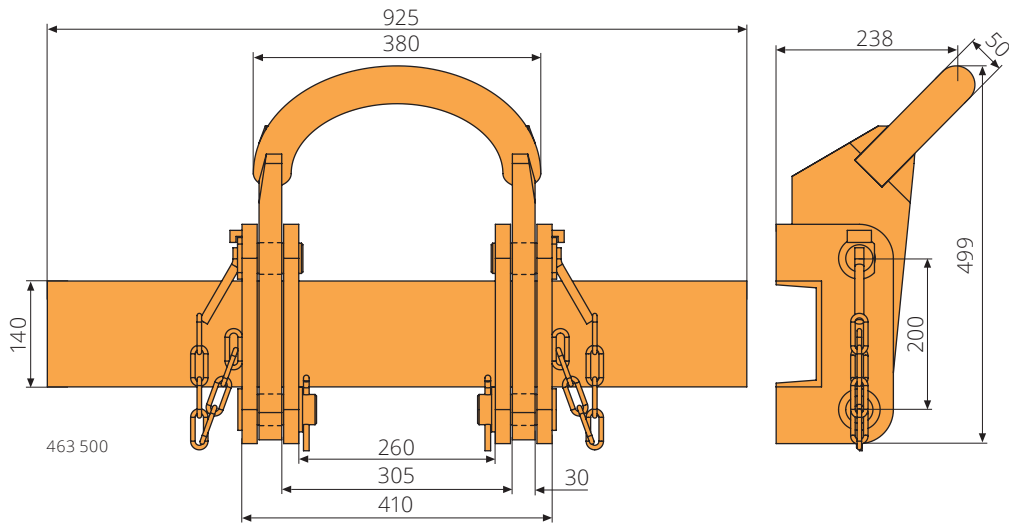
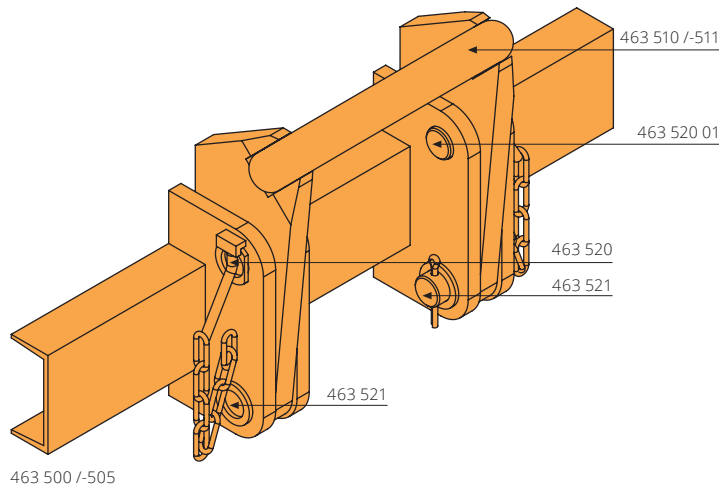


Article no.	Product	Description
464 721	Guide profile	1520x45x88mm, for apron plate, plastic
464 718	Guide profile	1660x50x94mm, plastic



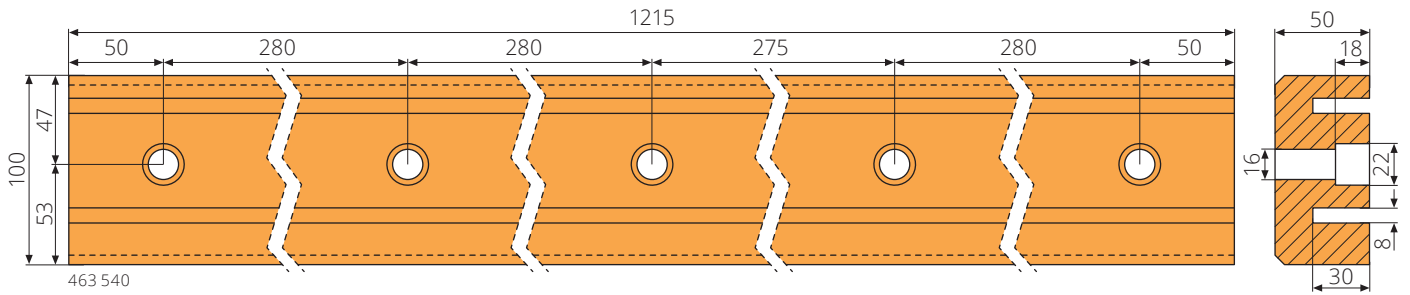
Article no.	Product	Description
464 724	Slide profile	105x58x57mm, plastic
464 722	Slide profile	160x160x70mm, for compaction plate, plastic

Type L+M LUDDEN + MENNEKES

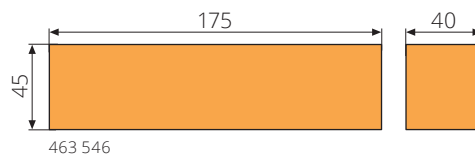
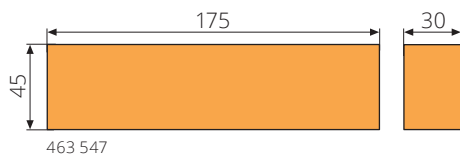
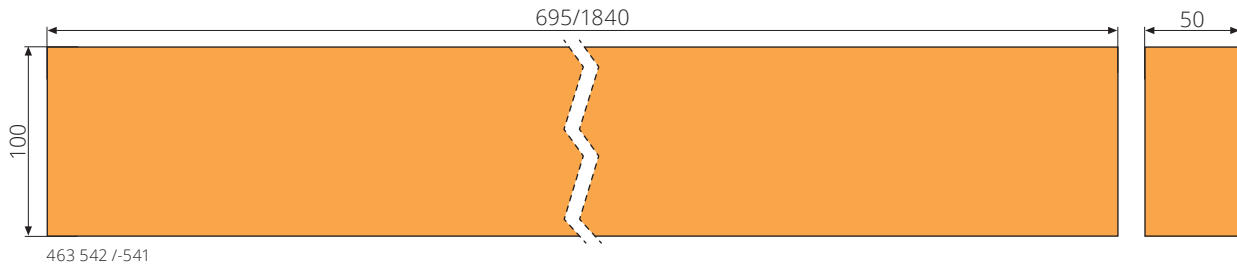
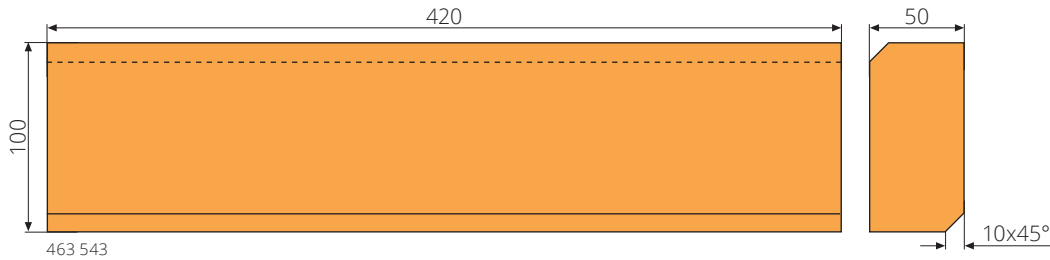


Article no.	Product	Description
463 500	Hinged lifting bar complete	50x925mm, S355J2+N
463 510	Hinged lifting bar	50x380mm, S355J2+N
463 505	Hinged lifting bar complete	60x925mm, S355J2+N
463 511	Hinged lifting bar	60x395mm, S355J2+N
463 520	Bolt	40x80mm, left, with chain
463 520 01	Bolt	40x80mm, right, with chain
463 521	Bolt	40x98mm, with bore for cotter pin

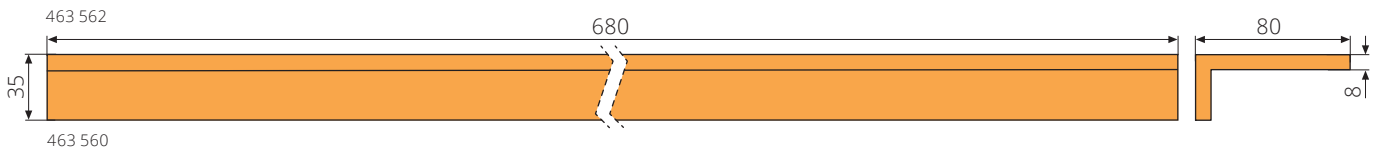
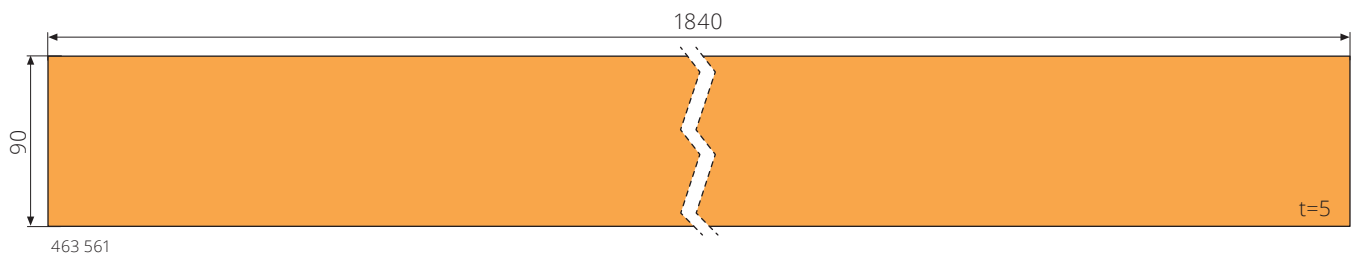
Type L+M LUDDEN + MENNEKES



Article no.	Product	Description
463 540	Guide profile	1215x100x50mm, plastic

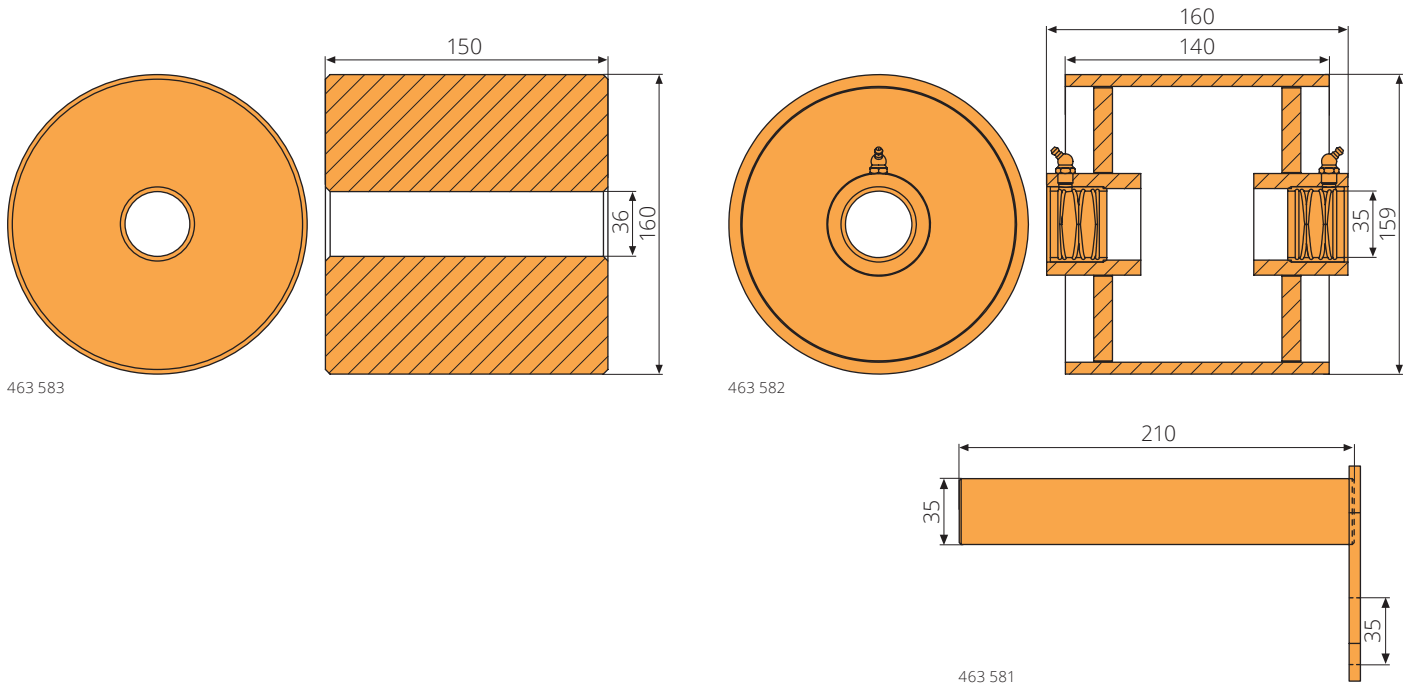


Article no.	Product	Description
463 543	Slide profile	420x100x50mm, plastic
463 542	Slide profile	695x100x50mm, plastic
463 541	Slide profile	1840x100x50mm, plastic
463 547	Slide profile	175x45x30mm, plastic
463 546	Slide profile	175x45x40mm, plastic



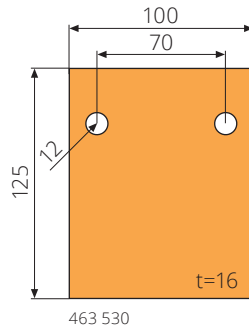
Article no.	Product	Description
463 561	Flat steel	1840x90x5mm, S355J2
463 562	Flat steel	175x40x5mm, S355J2
463 560	Angled guide	680x80x35mm, t=8mm, S355J2

Type L+M LUDDEN + MENNEKES

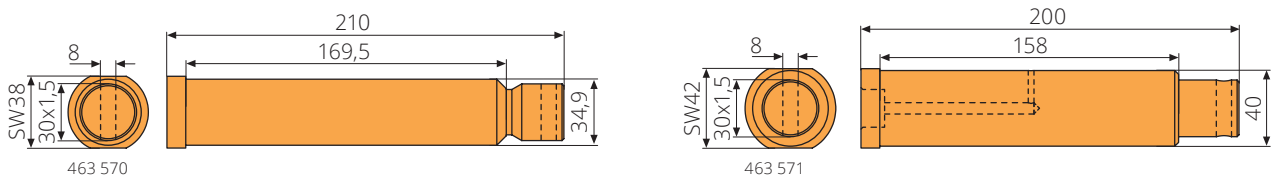


Type L+M LUDDEN + MENNEKES

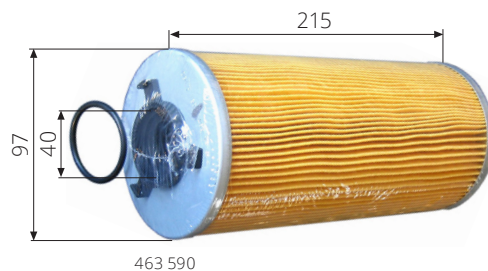
Article no.	Product	Description
463 583	Polyamide roller	36-160-300mm
463 582	Roller	35-159-140/160mm, bushing lubrication, brass bushing
463 581	Axle	35x210mm, with safety catch, S355J2



Article no.	Product	Description
463 530	Plate	125x100mm, t=16mm, S235JR, for thrust wall

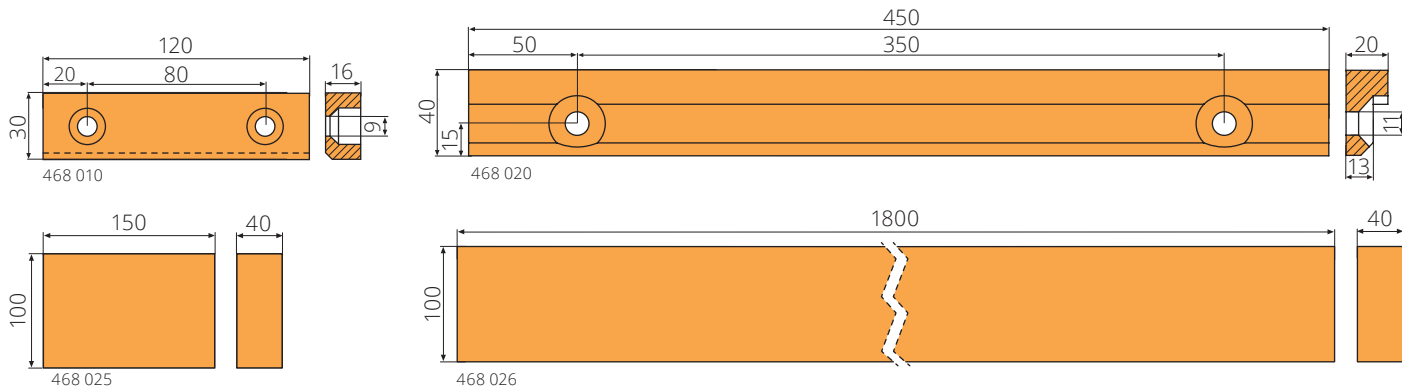


Article no.	Product	Description
463 570	Bolt	34,9x210mm, M30x1,5mm, 42CrMo4, hardened
463 571	Bolt	40x200mm, M30x15,mm, 42CrMo4, hardened

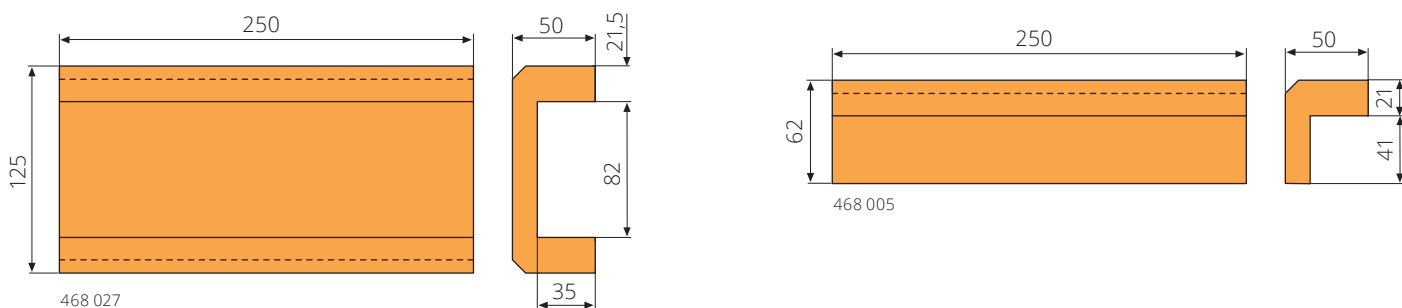


Article no.	Product	Description
463 590	Filter cartridge	40-97-215mm, 25 micron, paper

Type LMS

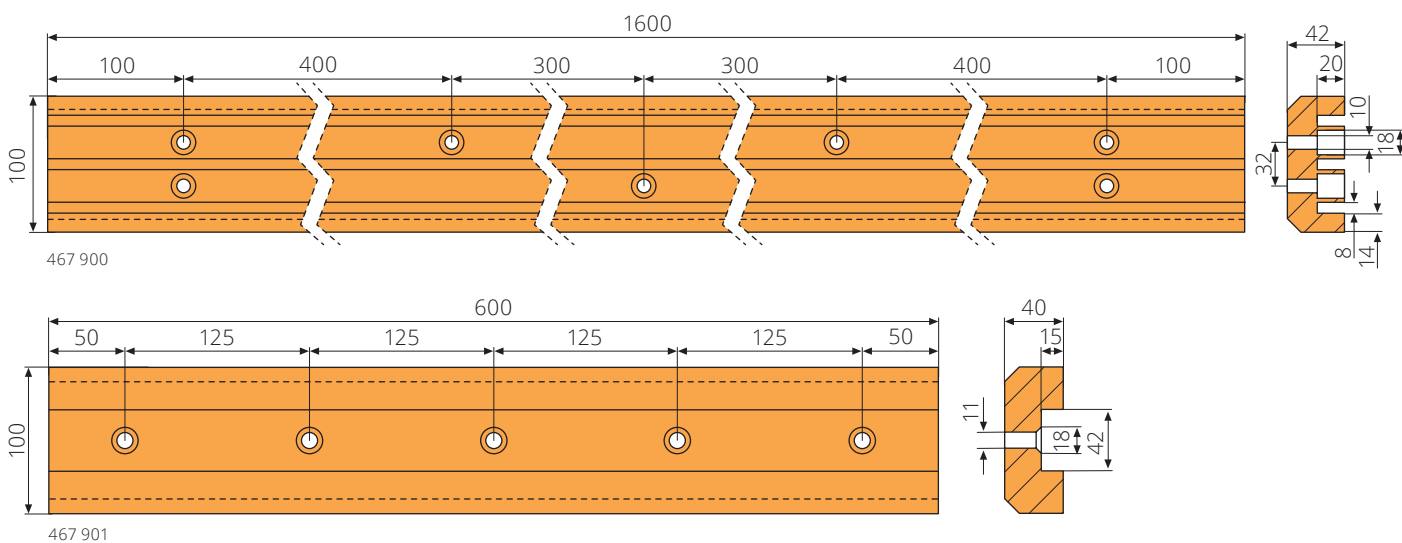


Article no.	Product	Description
468 010	Slide profile	120x16x30mm, plastic
468 020	Slide profile	450x20x40mm, plastic
468 025	Slide profile	150x40x100mm, plastic
468 026	Slide profile	1800x40x100mm, plastic



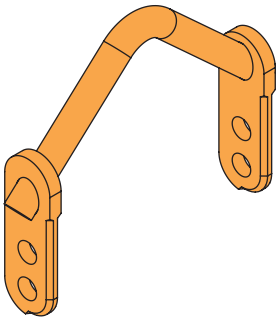
Article no.	Product	Description
468 027	Guide profile	250x50x125mm, plastic
468 005	Angled guide	250x62x50mm, plastic

Type NAU

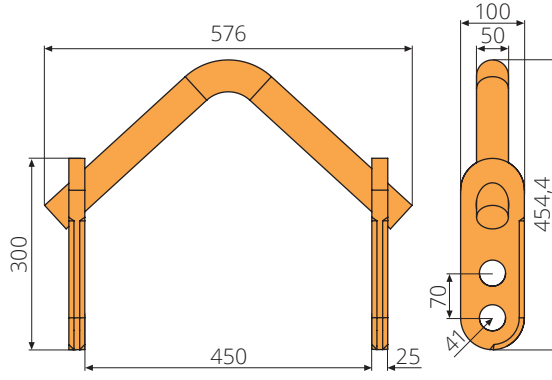


Article no.	Product	Description
467 900	Guide profile	1600x42x100mm, plastic
467 901	Guide profile	600x40x100mm, plastic

Type OTTO

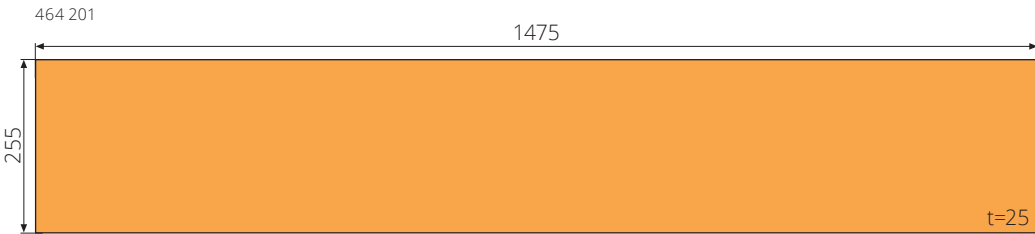
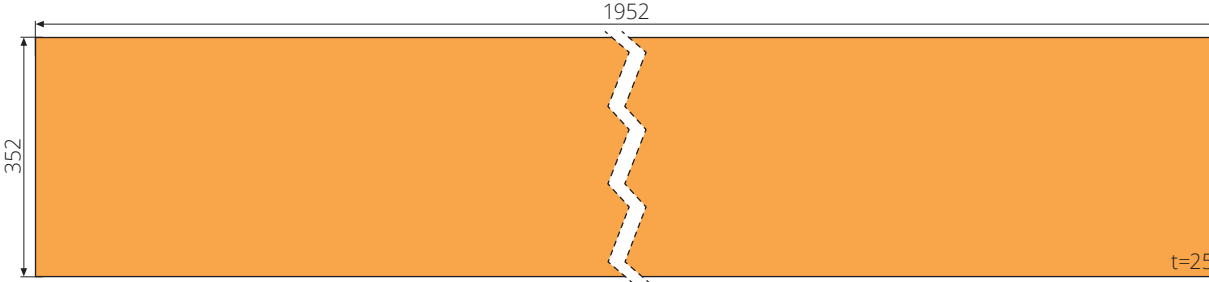
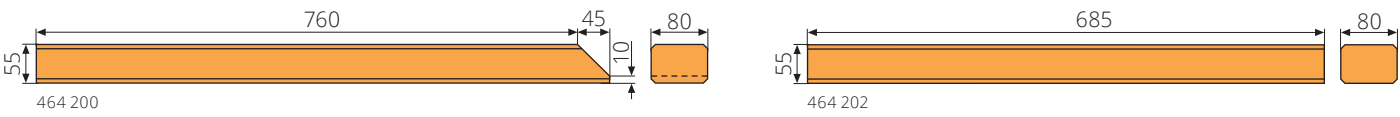


463 600

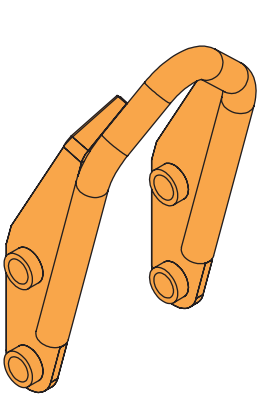


Article no.	Product	Description
463 600	Hinged lifting bar	50x576mm, S355J2+N

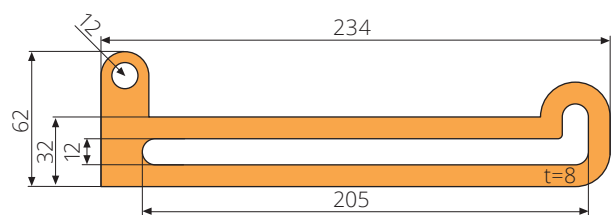
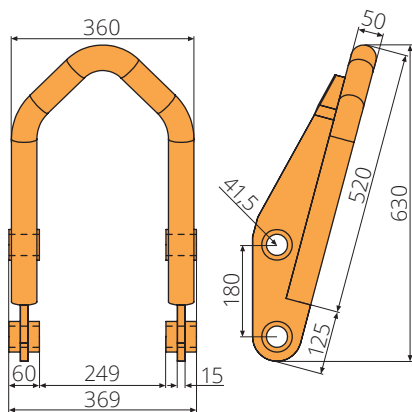
Type RIES



Article no.	Product	Description
464 200	Slide profile	805/760x80x55mm, plastic
464 202	Slide profile	685x80x55mm, plastic, SP85
464 201	Slide profile	1952x352x25mm, plastic
464 203	Slide profile	1475x255x25mm, plastic, SP85



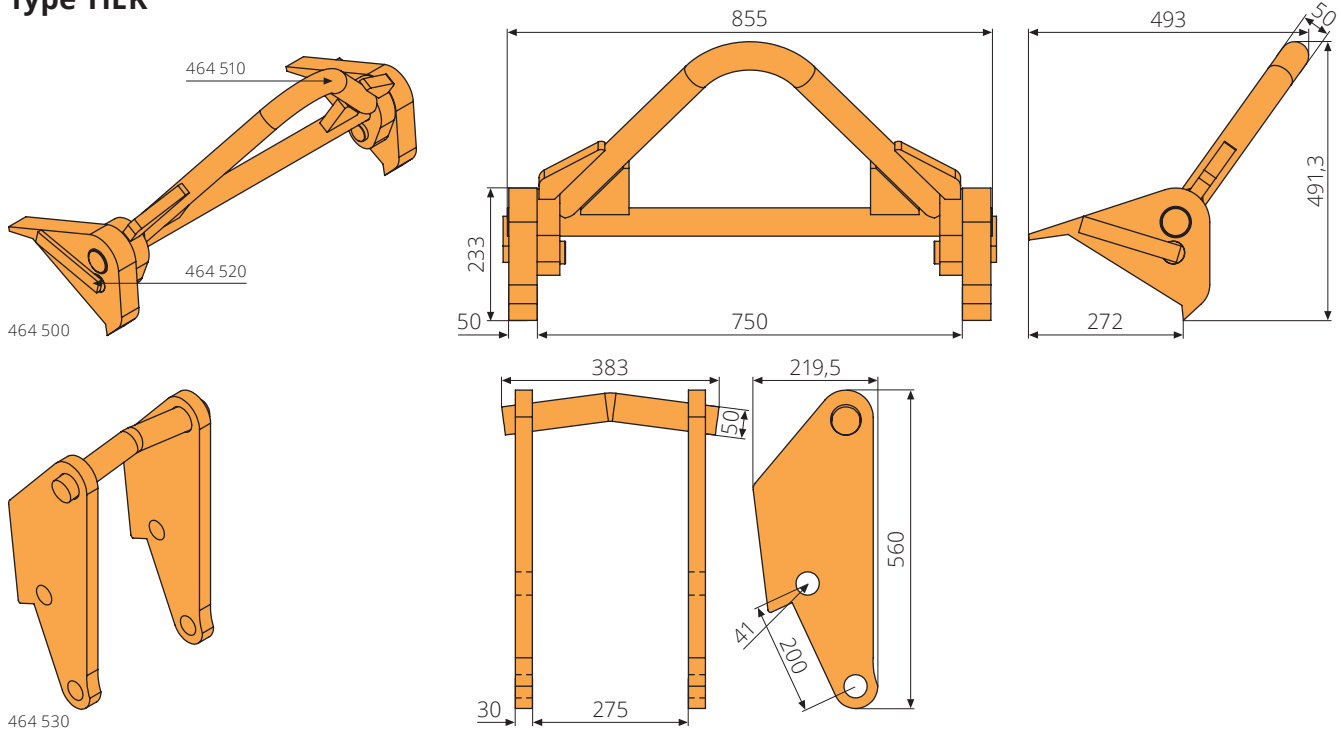
464 220



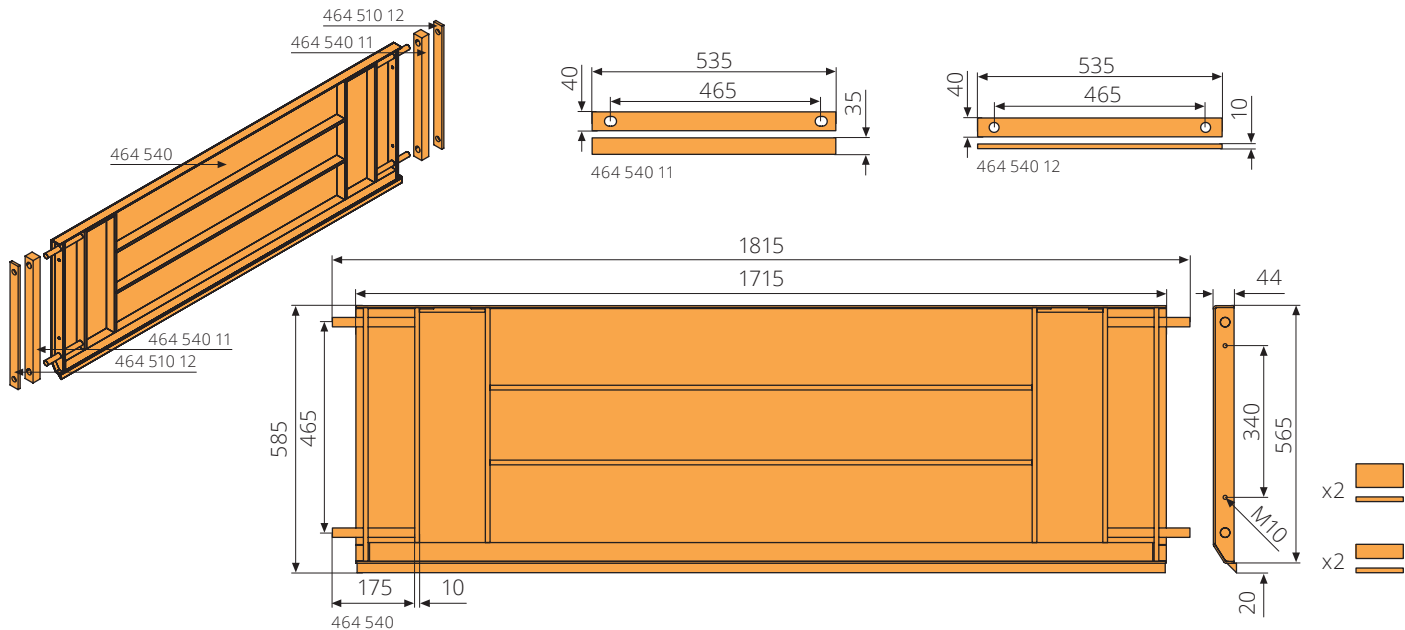
Article no.	Product	Description
464 220	Hinged lifting bar	50x360mm, S355J2+N
464 210	Lid detent	234x62mm, t=8mm, S355J2, galvanized

Type LMS / Type NAU / Type OTTO / Type RIES

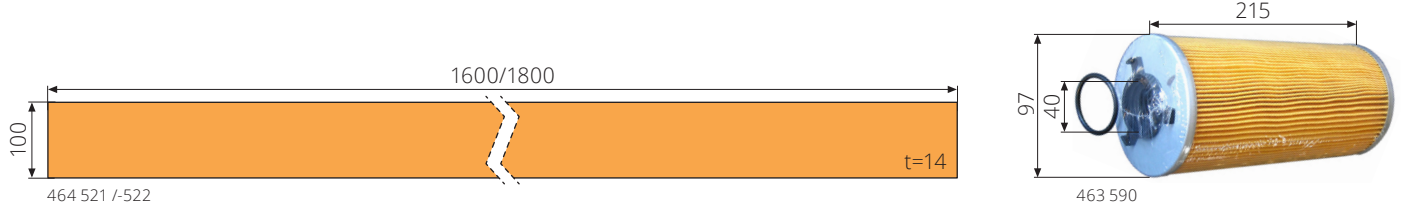
Type TIEK



Article no.	Product	Description
464 500	Hinged lifting bar complete	50x855mm, S355J2+N
464 510	Hinged lifting bar	50x855mm, S355J2+N
464 520	Bolt	40x100mm
464 530	Hinged lifting bar	50x283mm, S355J2+N

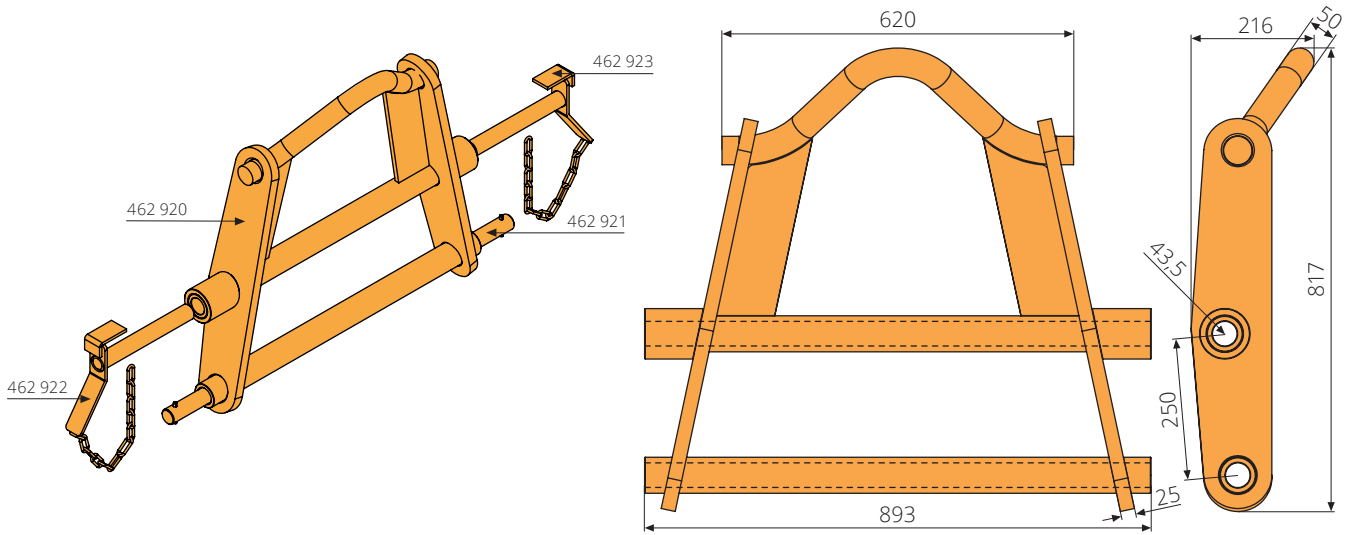


Article no.	Product	Description
464 540	Apron plate	1815x585x44mm, S235JR, with 4 catch plates
464 540 11	Slide profile	40x535x35mm, S235JR
464 540 12	Pressure plate	40x535x10mm, S235JR

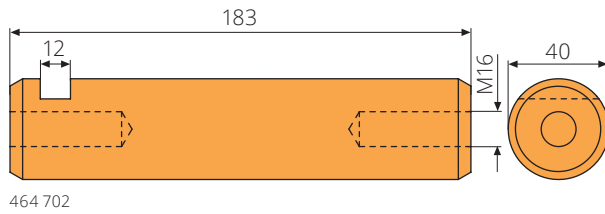


Article no.	Product	Description
464 521	Slide profile	1600x100x14mm, plastic
464 522	Slide profile	1800x100x14mm, plastic
463 590	Filter cartridge	40-97-215mm, 25 micron, paper

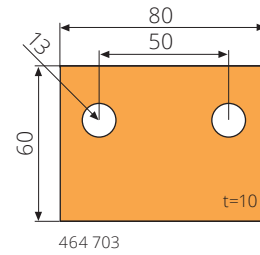
Type TOLLENSE



Article no.	Product	Description
462 920	Hinged lifting bar	50x893mm, S355J2+N
462 923	Bracket for bolt locking	50x40x90mm, S235JR
462 922	Bolt with chain	40x300mm, S355J2
462 921	Bolt with dowel pins	40x1140mm, S355J2

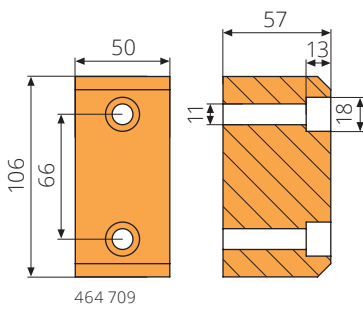


464 702

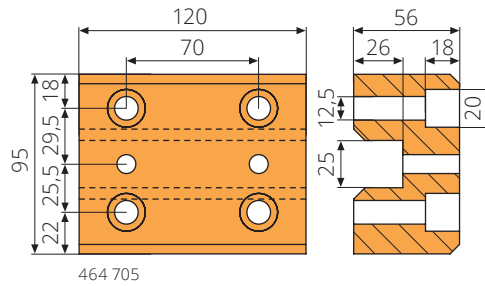


464 703

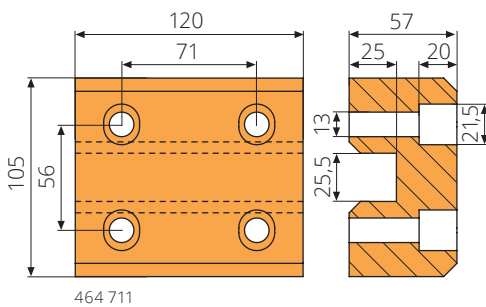
Article no.	Product	Description
464 702	Cylinder Bolt	40x183mm, 42CrMo4, hardened
464 703	Locking plate	80x60x10mm, S235JR



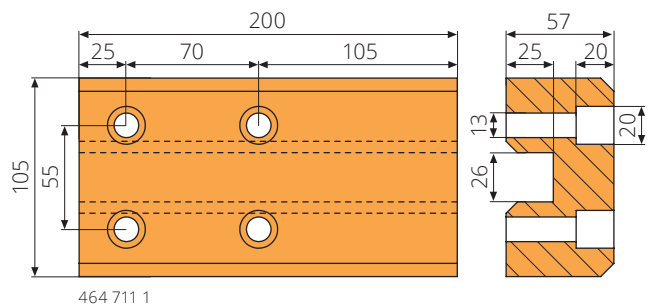
464 709



464 705



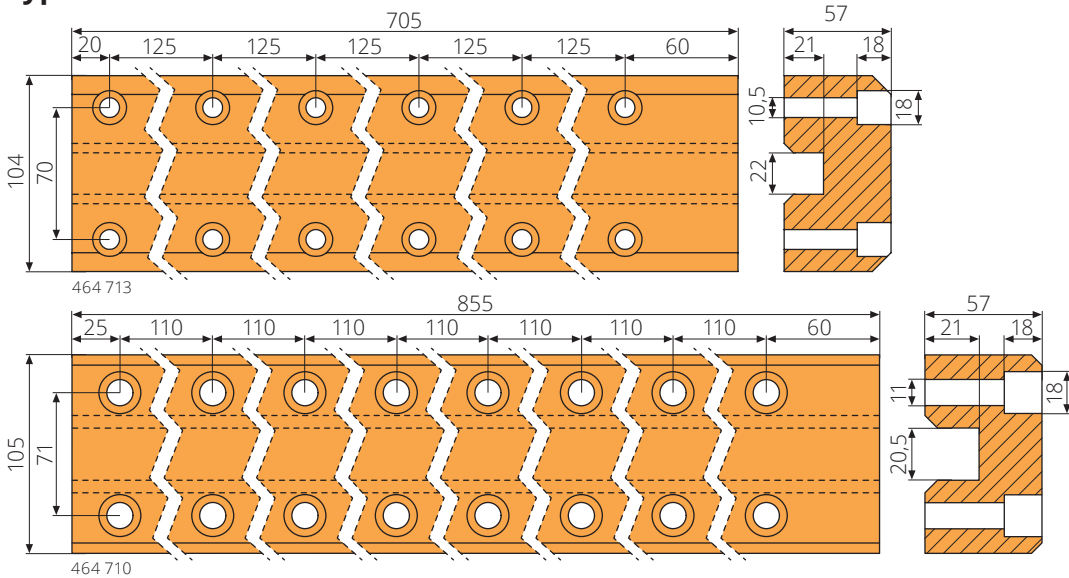
464 711



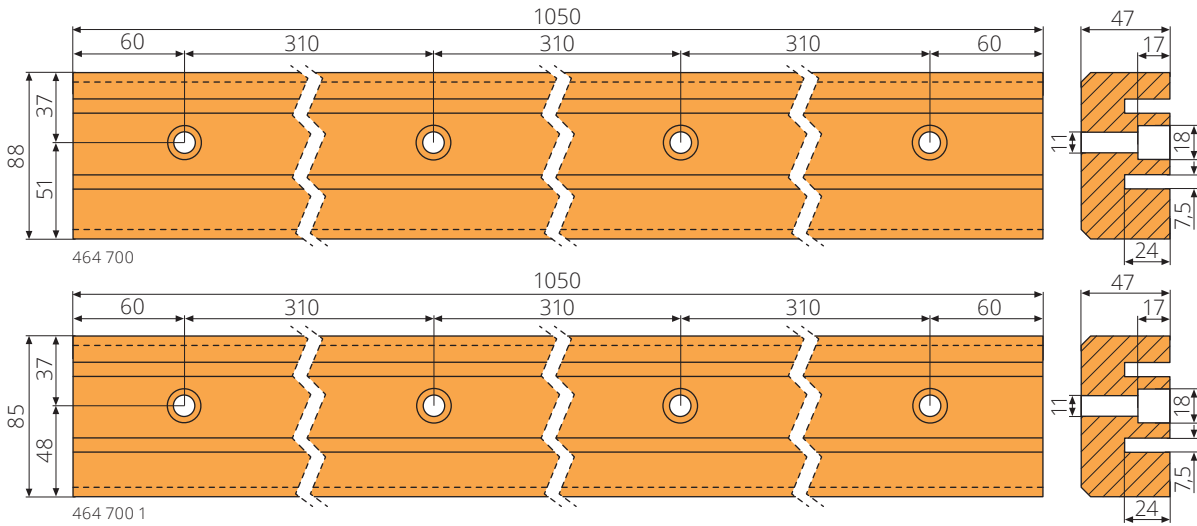
464 711 1

Article no.	Product	Description
464 709	Guide profile	50x106x57mm, plastic
464 705	Guide profile	120x95x56mm, plastic
464 711	Guide profile	120x105x57mm, plastic
464 711 1	Guide profile	200x105x57mm, plastic

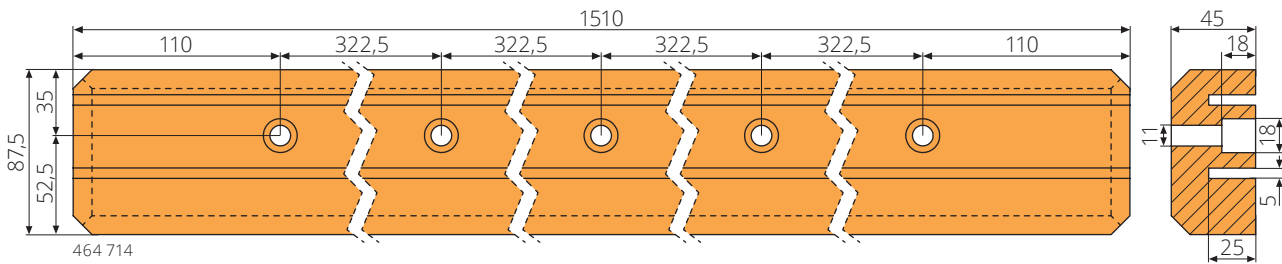
Type TOLLENSE



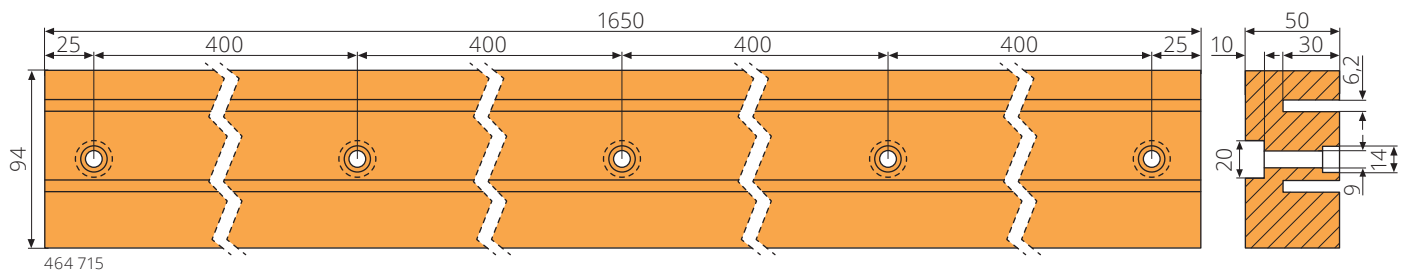
Article no.	Product	Description
464 713	Guide profile	705x104x57mm, plastic
464 710	Guide profile	855x105x57mm, plastic, HK 20.1



Article no.	Product	Description
464 700	Guide profile	1050x88x47mm, plastic
464 700 1	Guide profile	1050x85x47mm, plastic



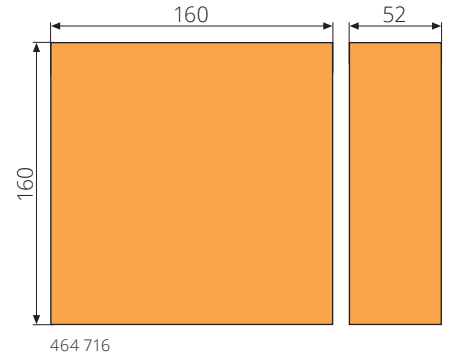
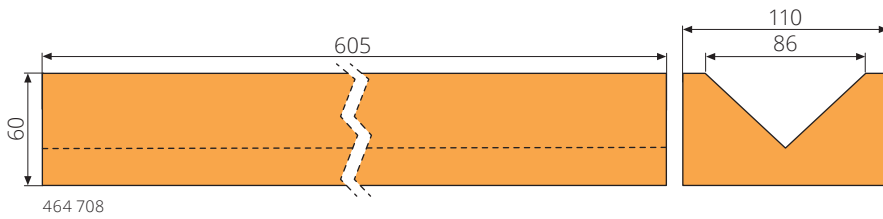
Article no.	Product	Description
464 714	Guide profile	1510x87,5x45mm, plastic



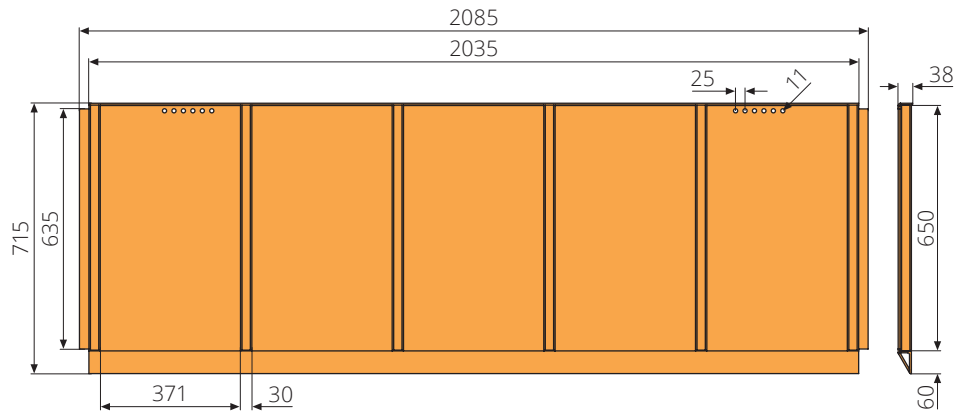
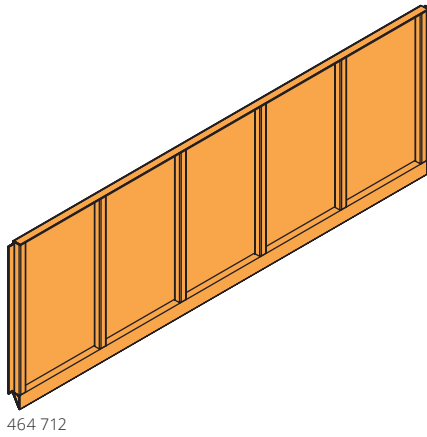
Article no.	Product	Description
464 715	Guide profile	1650x50x94mm, plastic

Type TOLLENSE

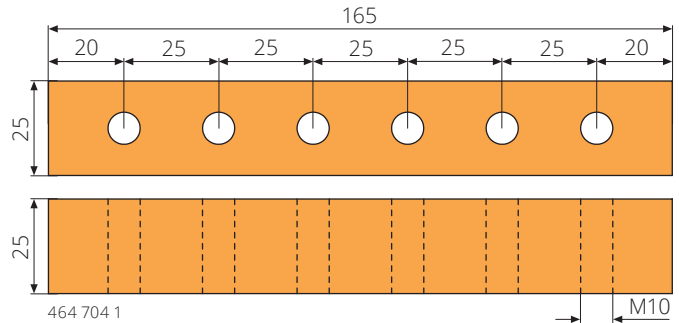
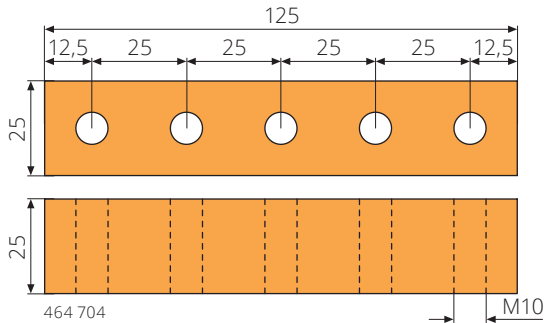
Type TOLLENSE



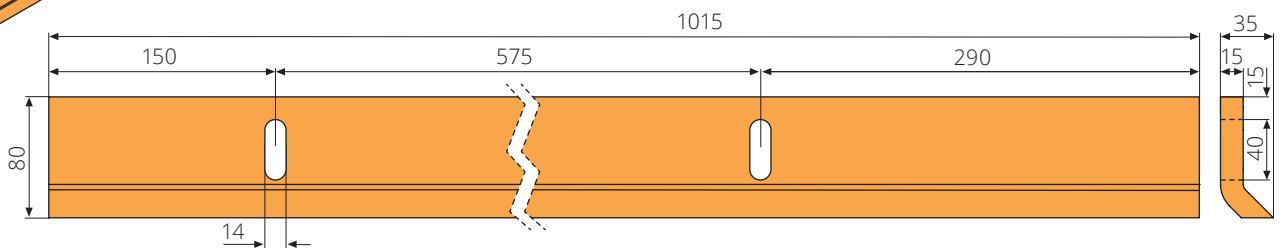
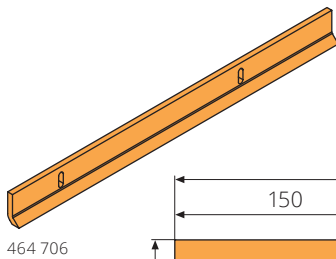
Article no.	Product	Description
464 708	Slide profile	605x60x110mm, plastic
464 716	Slide profile	160x160x52mm, plastic, HK 20.1, 8-12



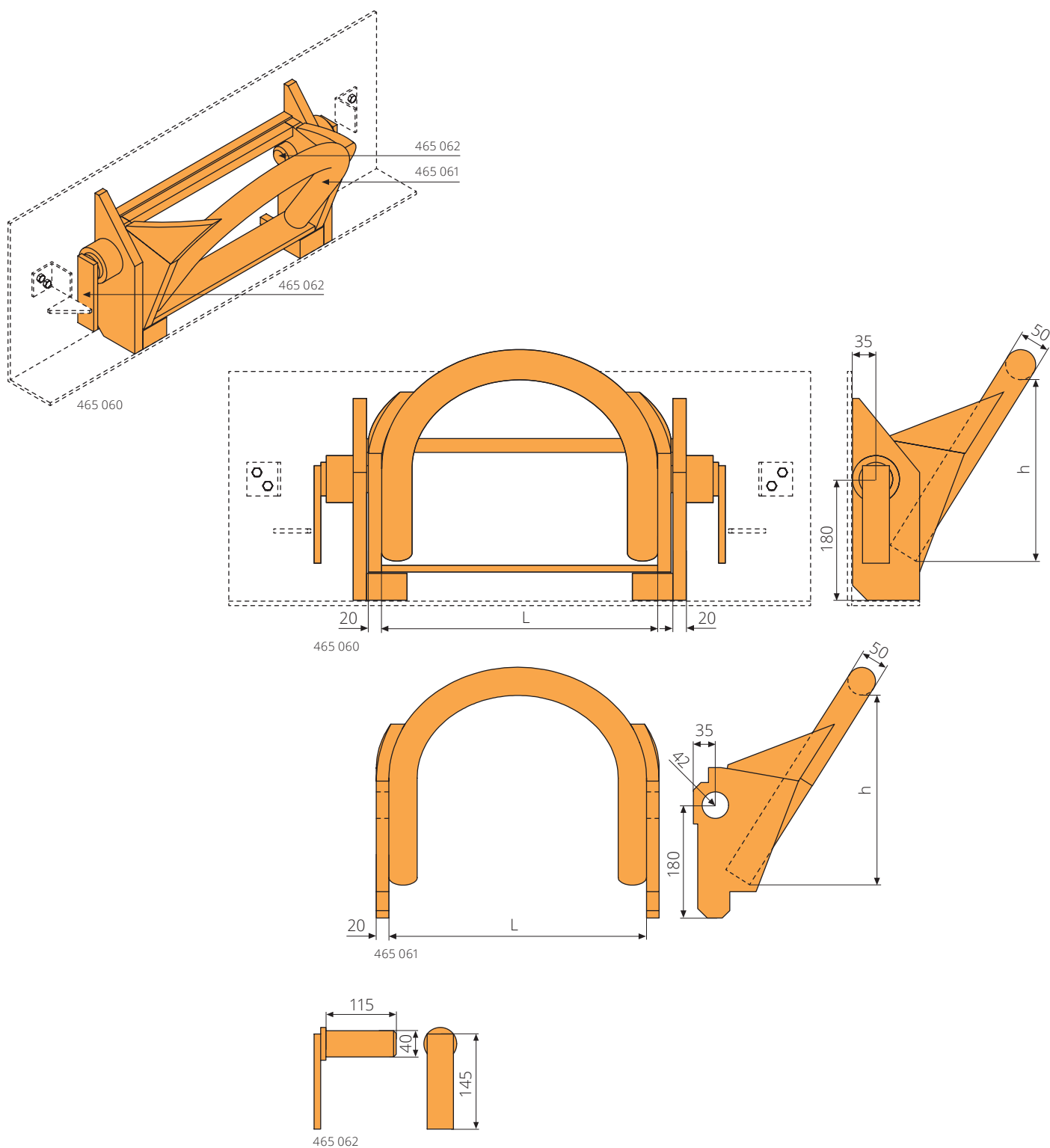
Article no.	Product	Description
464 712	Apron plate	2085x715x38mm, S235JR



Article no.	Product	Description
464 704	Catch	125x25x25mm, for apron plate, HK 20.1
464 704 1	Catch	165x25x25mm, for apron plate



Article no.	Product	Description
464 706	Scraper	1015x80mm, left, t=15mm, S235JR
464 707	Scraper	1015x80mm, right, t=15mm, S235JR



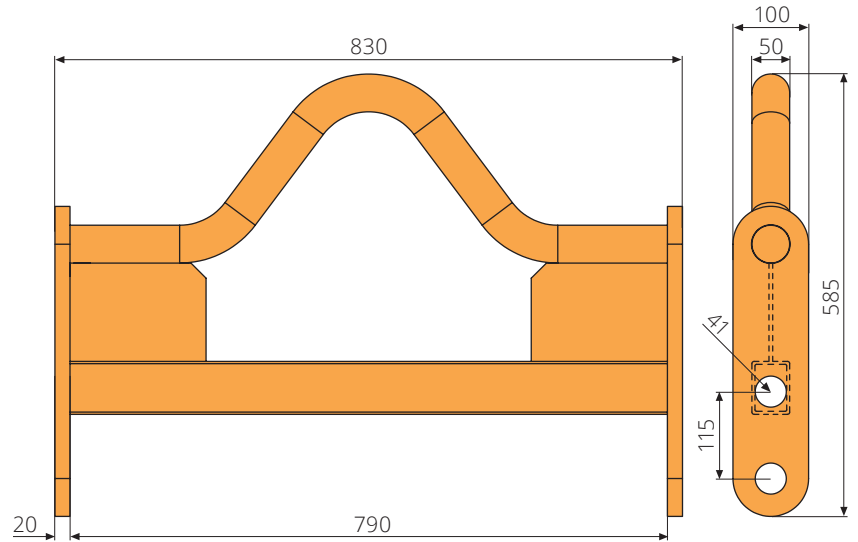
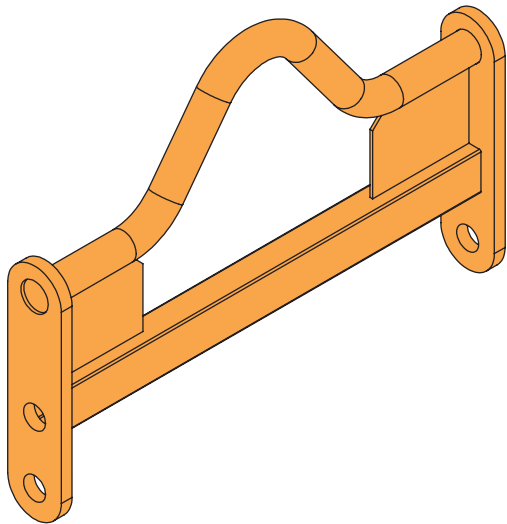
Article no.	Product	Description
465 060	Hinged lifting bar complete	D=50mm, S355J2+N, made to order
465 061	Hinged lifting bar	D=50mm, S355J2+N, made to order
465 062	Bolt	40x115mm

ORDER FORM

Article no.	h in mm	L in mm	Amount

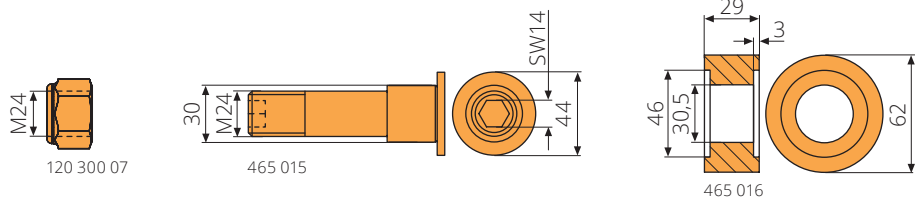
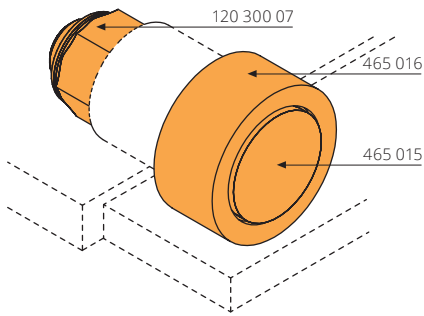
Type WAGNER

Type WAGNER

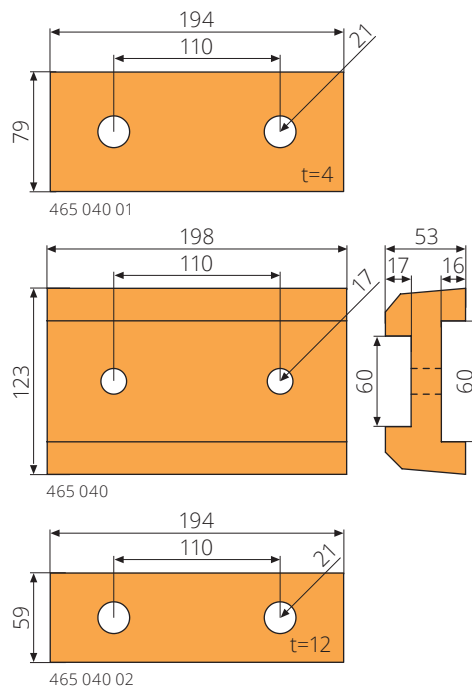
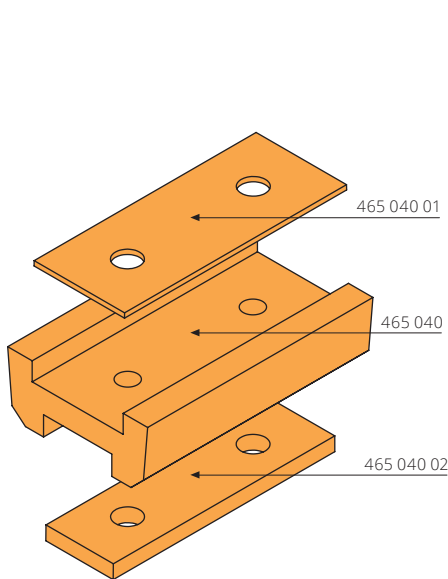


465 063

Article no.	Product	Description
465 063	Hinged lifting bar	50x830mm, S355J2+N, primed

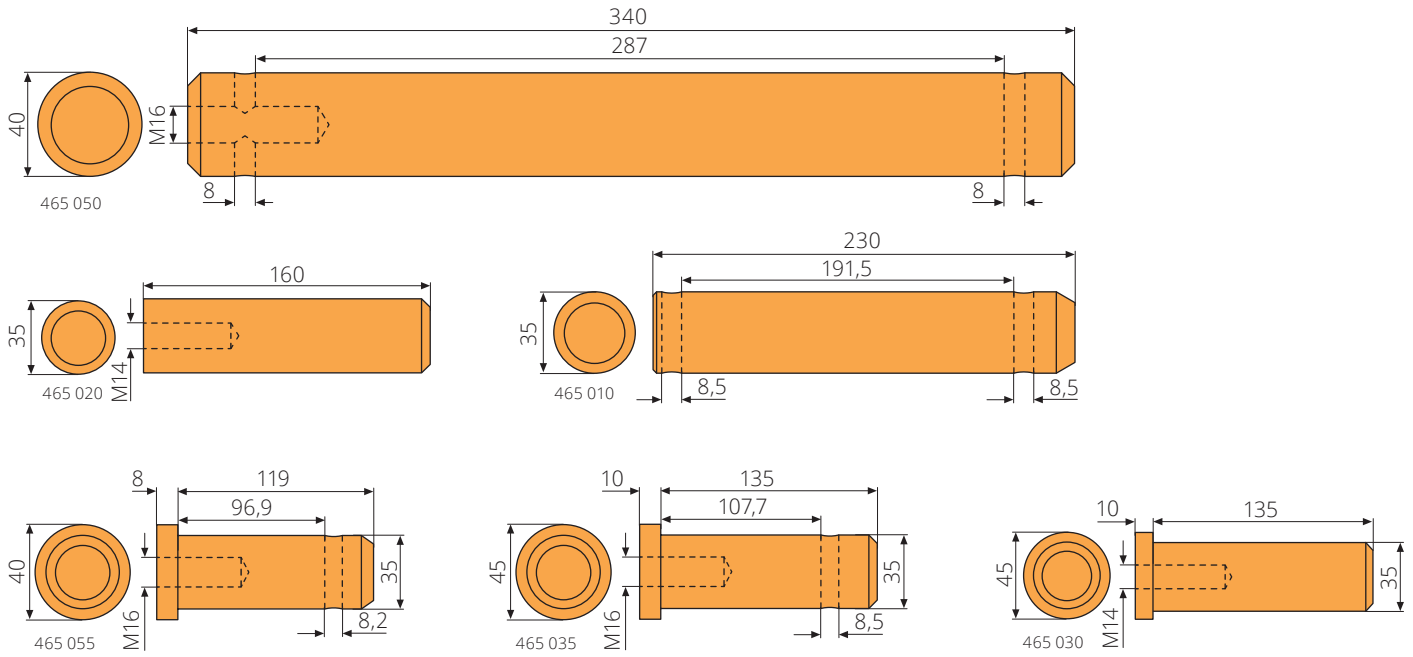


Article no.	Product	Description
465 015	Bolt for track roller	25x104mm, M24, S355J2, WPLM II+IV
120 300 07	Hex head nut	M24, self-locking, galvanized, ISO 7040
465 016	Track roller	30,5/46-62-29mm, PA6, WPLM II+IV

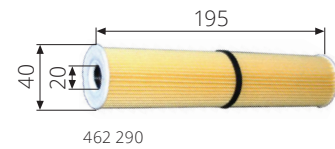
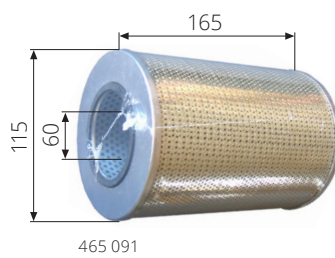
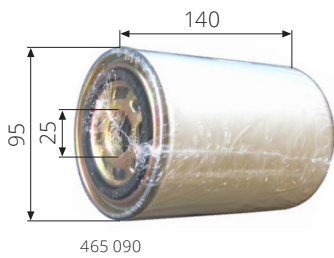


Article no.	Product	Description
465 040 01	Plate	194x79x4mm, top
465 040	Guide profile	198x123x53mm, plastic
465 040 02	Plate	194x59x12mm, bottom

Type WAGNER

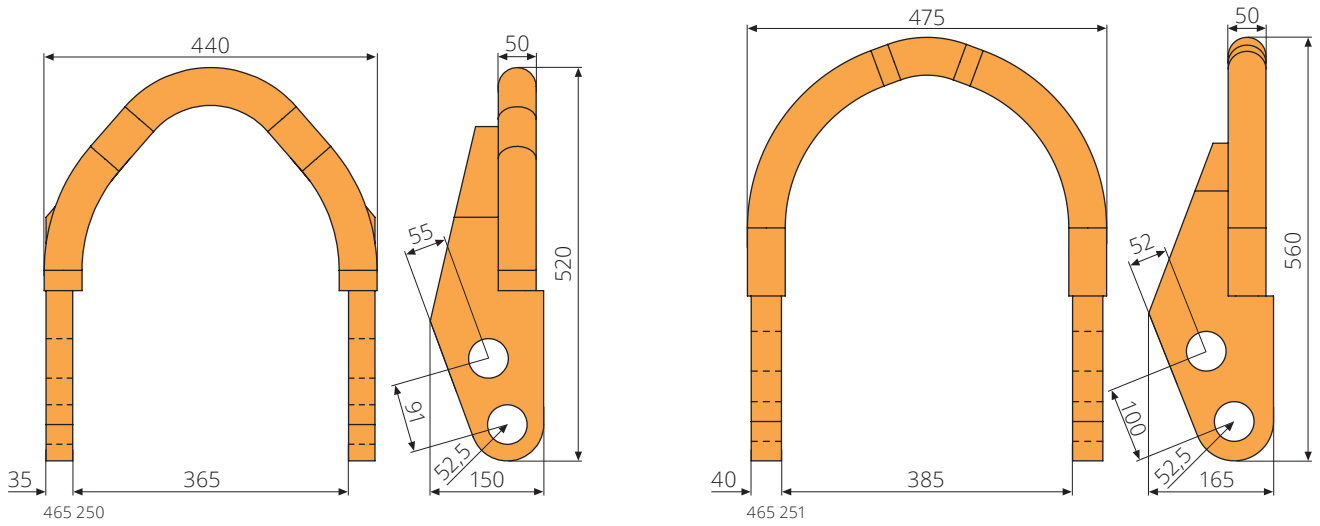


Article no.	Product	Description
465 050	Bolt	40x340mm, M16, 42CrMo4, for stationary compactors
465 020	Bolt	35x160mm, M14, 42CrMo4
465 010	Bolt	35x230mm, 42CrMo4, WPLM IV rear, hardened
465 055	Bolt	35x119mm, M16, 42CrMo4, for mobile compactors
465 035	Bolt	35x135mm, M16, 42CrMo4, WPLM IV front, hardened
465 030	Bolt	35x135mm, M14, 42CrMo4

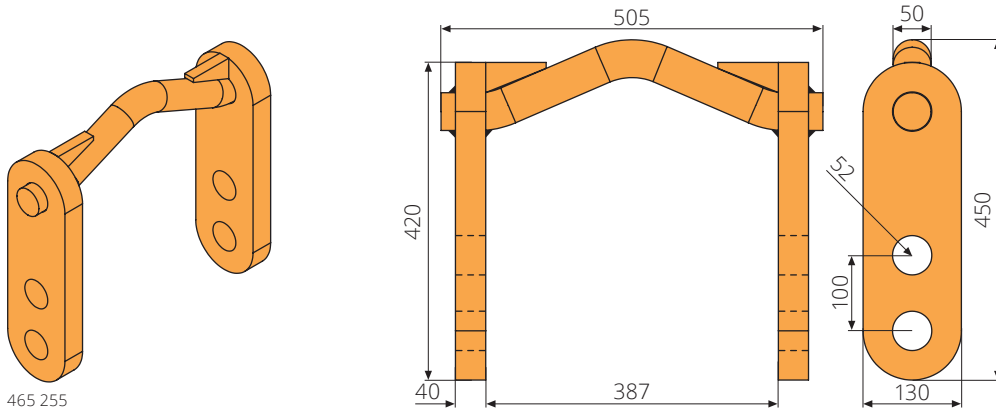


Article no.	Product	Description
465 090	Filter cartridge	25-95-140mm, 10 micron, paper, WPLM
465 091	Filter cartridge	60-115-165mm, 10 micron, paper, for stationary compactors
462 290	Filter cartridge	20-40-195mm, 25 micron, paper

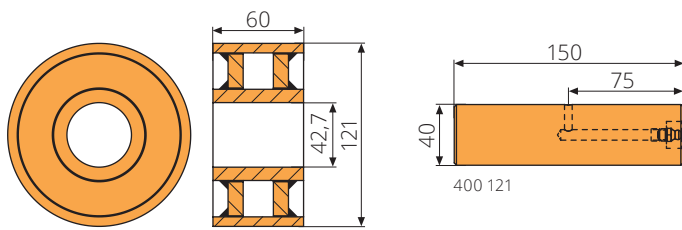
Type WERNER & WEBER



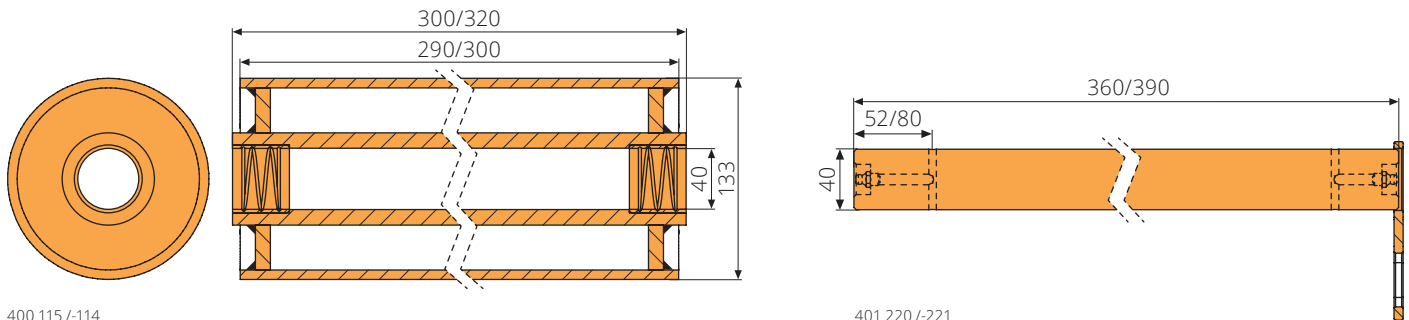
Article no.	Product	Description
465 250	Hinged lifting bar	50x440mm, S355J2+N
465 251	Hinged lifting bar	50x475mm, S355J2+N



Article no.	Product	Description
465 255	Hinged lifting bar	50x505mm, ACTS, S355J2+N

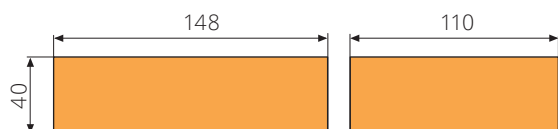


Article no.	Product	Description
400 113	Steel roller	42,7-121-60mm, full sleeve tubing, S355J2, ACTS
400 121	Axle	40x150mm, with lubrication, S355J2, ACTS

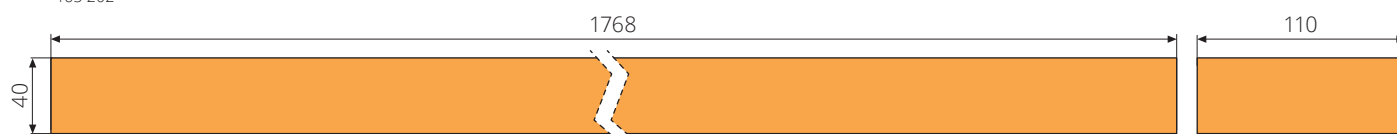


Article no.	Product	Description
400 115	Steel roller	40-133-290/300mm, full sleeve tubing, S235JR
401 220	Axle	40x360mm, with lubrication & safety catch, S355J2
400 114	Steel roller	40-133-300/320mm, full sleeve tubing, S235JR
401 221	Axle	40x390mm, with extended lubrication & safety catch, S355J2

Type WERNER & WEBER

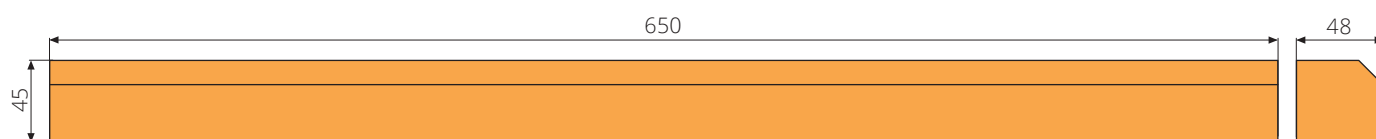


465 202



465 203

Article no.	Product	Description
465 202	Slide profile	148x110x40mm, plastic
465 203	Slide profile	1768x110x40mm, plastic

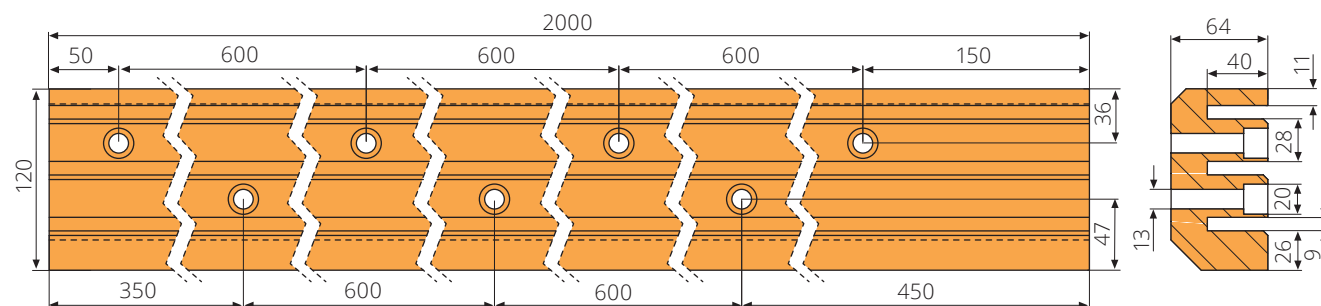


465 200



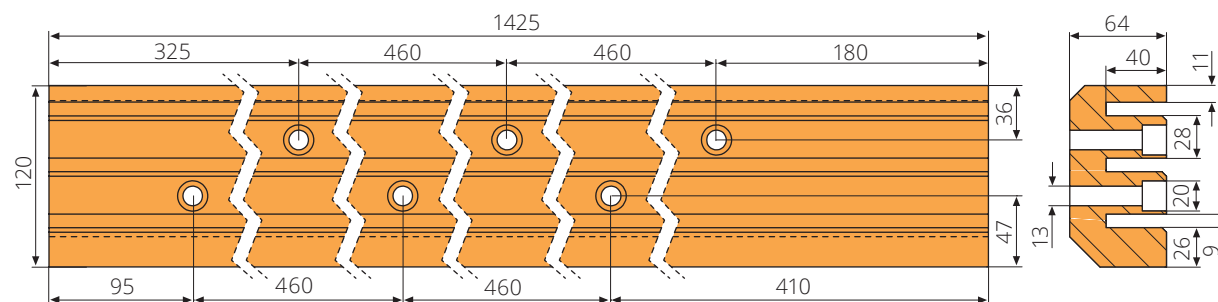
465 201

Article no.	Product	Description
465 200	Slide profile	650x48x45mm, plastic
465 201	Slide profile	650x60x30mm, plastic



465 204

Article no.	Product	Description
465 204	Guide profile	2000x64x120mm, left, plastic
465 205	Guide profile	2000x64x120mm, right, plastic

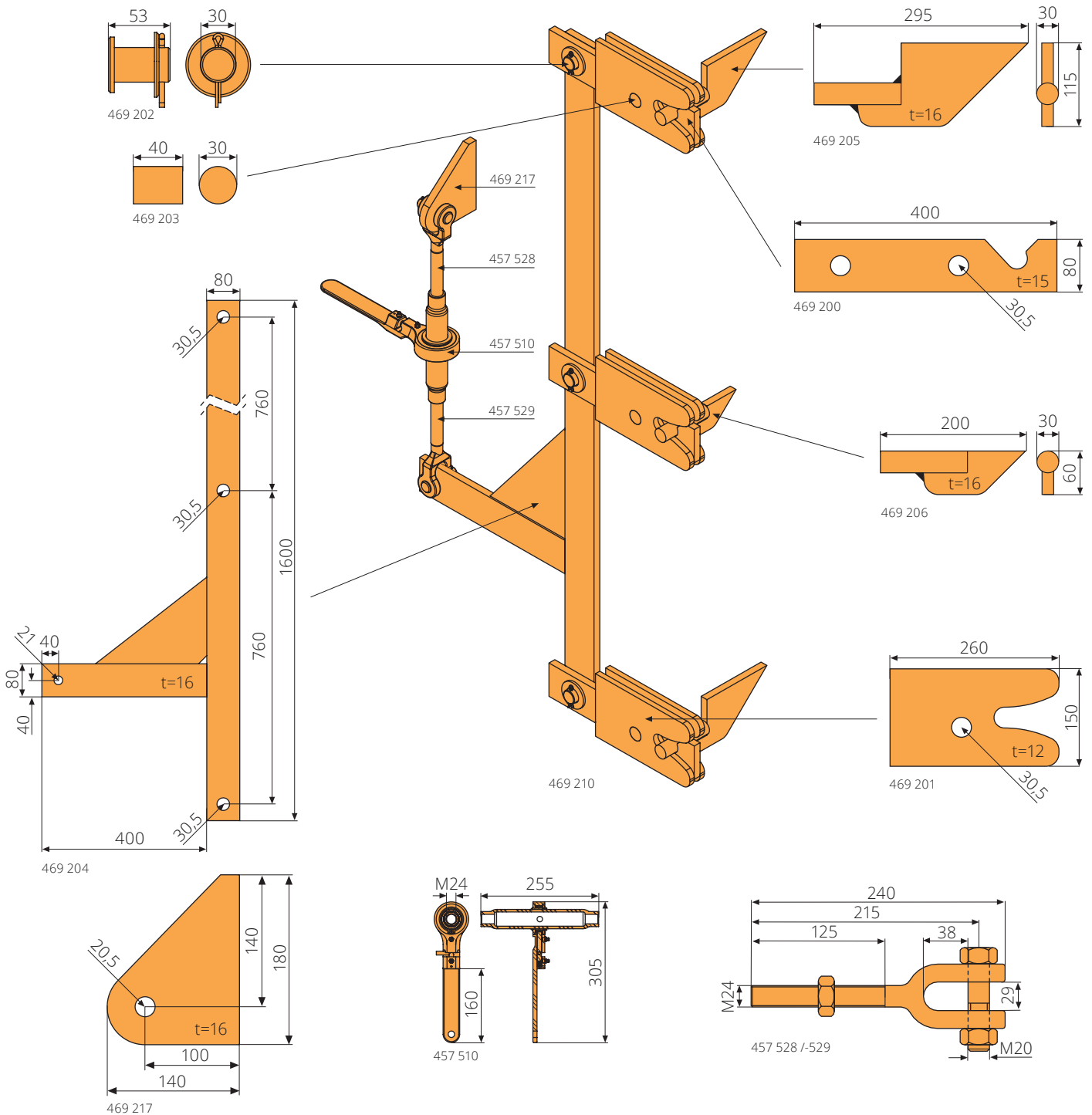


465 206

Article no.	Product	Description
465 206	Guide profile	1425x64x120mm, left, plastic
465 207	Guide profile	1425x64x120mm, right, plastic

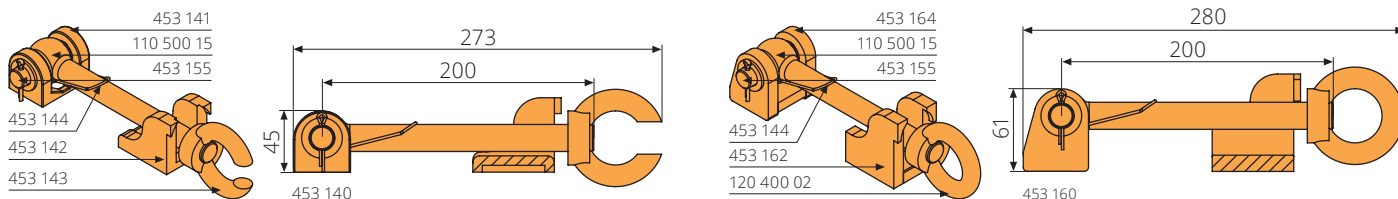
Door locking system

Type WERNER & WEBER / Door locking system



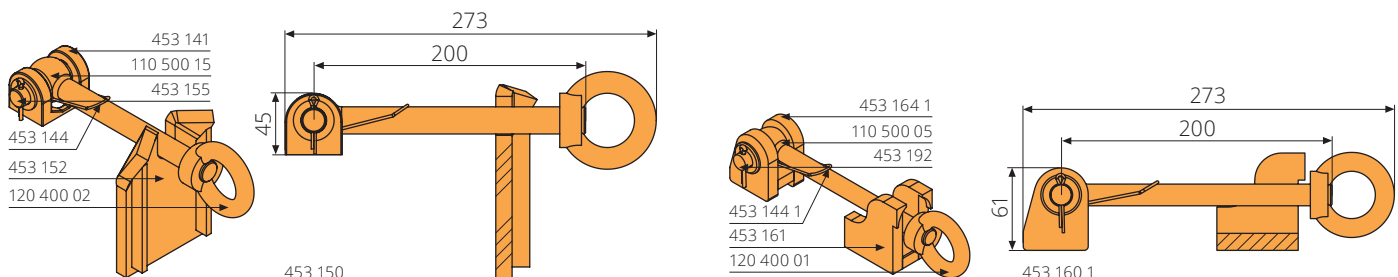
Article no.	Product	Description
469 210	Door locking system complete	type AVERMANN
Article no.	Product	Description
469 200	Rotary arm	400x80x15mm, S355J2
469 201	Welding plate	260x150x12mm, S355J2
469 202	Bolt	30x53mm, with washer & cotter pin, S355J2
469 203	Welding bolt	30x40mm, S355J2
469 204	Locking bar	1600x400mm, S355J2
469 205	Mounting bolt	295x115mm, long, S355J2
469 206	Mounting bolt	200x60mm, short, S355J2
469 217	Welding platet	180x16mm, S355J2
457 510	Ratchet	M24, turnbuckle L=255mm, handle L=160mm, for compactors, galvanized
457 528	Clevis	M24x240mm, left-hand thread, galvanized, forged, with bolt & nuts
457 529	Clevis	M24x240mm, right-hand thread, galvanized, forged, with bolt & nuts

Tailgate locks



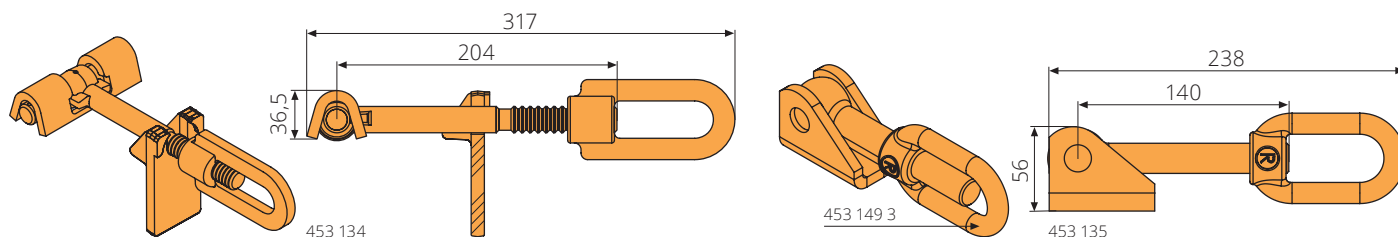
Article no.	Product	Description
453 140	Tailgate lock complete	M20, flat version, retaining spring
453 160	Tailgate lock complete	M20, with retaining spring

Article no.	Product	Description
453 141	Container bracket	for M20, flat version, cast steel
453 164	Container bracket	for M20
453 155	Pin	18x75mm, for eye bolt M20, galvanized, with cotter pin & washer
453 144	Retaining spring	d=21mm, wire D=2mm, galvanized
110 500 15	Eyebolt	M20x200mm, galvanized, continuous thread, DIN 444
453 143	Ring nut with slit	M20, galvanized, slit 24mm
120 400 02	Ring nut	M20, galvanized, DIN 582
453 142	Door bracket	for M20, flat Version, cast steel
453 162	Door bracket	for M20



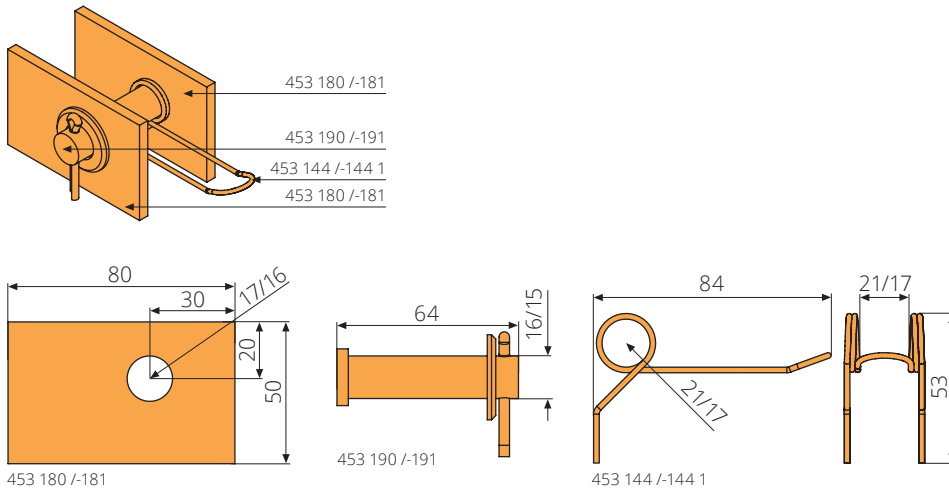
Article no.	Product	Description
453 150	Tailgate lock complete	M20, with retaining spring
453 160 1	Tailgate lock complete	M16, with retaining spring

Article no.	Product	Description
453 141	Container bracket	for M20, flat version, cast steel
453 164 1	Container bracket	for M16
453 155	Pin	18x75mm, for eye bolt M20, galvanized, with cotter pin & washer
453 192	Pin	15x70mm, for eye bolt M16, with cotter pin & washer
453 144	Retaining spring	d=21mm, wire D=2mm, galvanized
453 144 1	Retaining spring	d=17mm, for M16, wire D=2mm, galvanized
110 500 15	Eyebolt	M20x200mm, galvanized, continuous thread, DIN 444
110 500 05	Eyebolt	M16x200mm, galvanized, DIN 444
120 400 02	Ring nut	M20, galvanized, DIN 582
120 400 01	Ring nut	M16, galvanized, DIN 582
453 152	Door bracket	for M20
453 161	Door bracket	for M16, cast steel



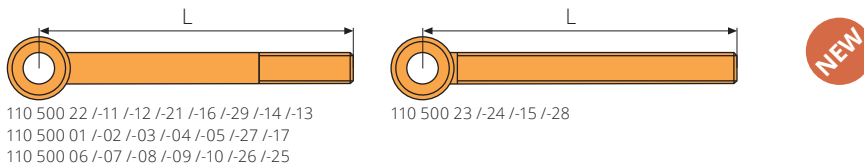
Article no.	Product	Description
453 134	Tailgate lock complete	TR20x4mm, trapezoidal thread
453 135	Tailgate lock complete	M20, with retaining spring
453 149 3	Ring nut	M20

Tailgate locks in parts / Accessories



Article no.	Product	Description
453 180	Mounting plate	d=17mm, for M20
453 181	Mounting plate	d=16mm, for M16
453 190	Pin	16x64mm, for M20, with cotter pin & washer
453 191	Pin	15x64mm, for M16, with cotter pin & washer
453 144	Retaining spring	d=21mm, wire D=2mm, galvanized
453 144 1	Retaining spring	d=17mm, for M16, wire D=2mm, galvanized

Eyebolts

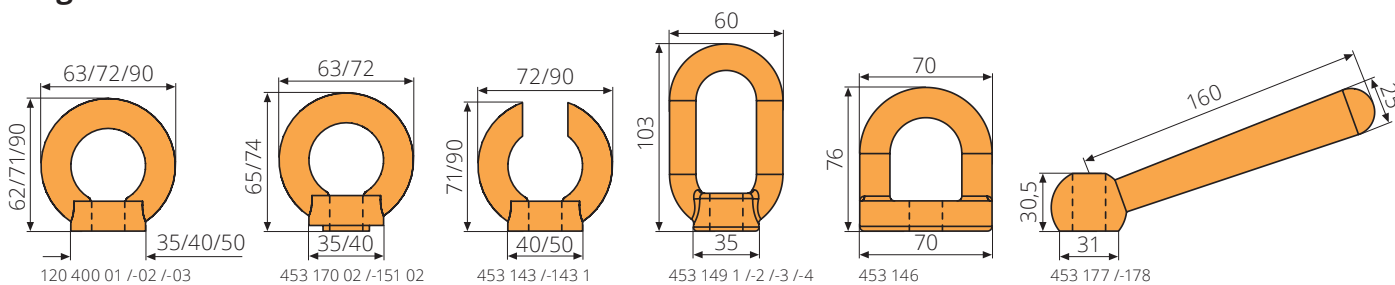


110 500 22 /-11 /-12 /-21 /-16 /-29 /-14 /-13
 110 500 01 /-02 /-03 /-04 /-05 /-27 /-17
 110 500 06 /-07 /-08 /-09 /-10 /-26 /-25

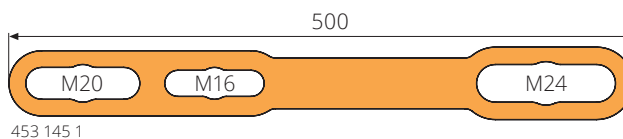
110 500 23 /-24 /-15 /-28

Article no.	Product	Description
110 500 22	Eyebolt	M10x80mm, galvanized, DIN 444
110 500 11	Eyebolt	M12x70mm, DIN 444
110 500 12	Eyebolt	M12x70mm, left-hand thread, DIN 444
110 500 21	Eyebolt	M12x80mm, galvanized, DIN 444
110 500 16	Eyebolt	M14x80mm, galvanized, left-hand thread, DIN 444
110 500 29	Eyebolt	M14x120mm, galvanized, left-hand thread, DIN 444
110 500 14	Eyebolt	M16x70mm, DIN 444
110 500 13	Eyebolt	M16x70mm, left-hand thread, DIN 444
110 500 01	Eyebolt	M16x120mm, galvanized, DIN 444
110 500 02	Eyebolt	M16x140mm, galvanized, DIN 444
110 500 03	Eyebolt	M16x160mm, galvanized, DIN 444
110 500 04	Eyebolt	M16x180mm, galvanized, DIN 444
110 500 05	Eyebolt	M16x200mm, galvanized, DIN 444
110 500 24	Eyebolt	M16x200mm, galvanized, continuous thread, DIN 444
110 500 27	Eyebolt	M18x200mm, galvanized, DIN 444
110 500 17	Eyebolt	M20x100mm, galvanized, DIN 444
110 500 06	Eyebolt	M20x120mm, galvanized, DIN 444
110 500 07	Eyebolt	M20x140mm, galvanized, DIN 444
110 500 08	Eyebolt	M20x160mm, galvanized, DIN 444
110 500 09	Eyebolt	M20x180mm, galvanized, DIN 444
110 500 15	Eyebolt	M20x200mm, galvanized, continuous thread, DIN 444
110 500 10	Eyebolt	M20x220mm, galvanized, DIN 444
110 500 39	Eyebolt	M20x240mm, galvanized, DIN 444
110 500 30	Eyebolt	M20x260mm, galvanized, DIN 444
110 500 23	Eyebolt	M24x180mm, galvanized, continuous thread, DIN 444
110 500 28	Eyebolt	M24x280mm, galvanized, continuous thread, DIN 444
110 500 26	Eyebolt	M24x250mm, galvanized, eye d=25mm
110 500 25	Eyebolt	M24x270mm, galvanized, DIN 444

Ring nuts & Nuts with handle

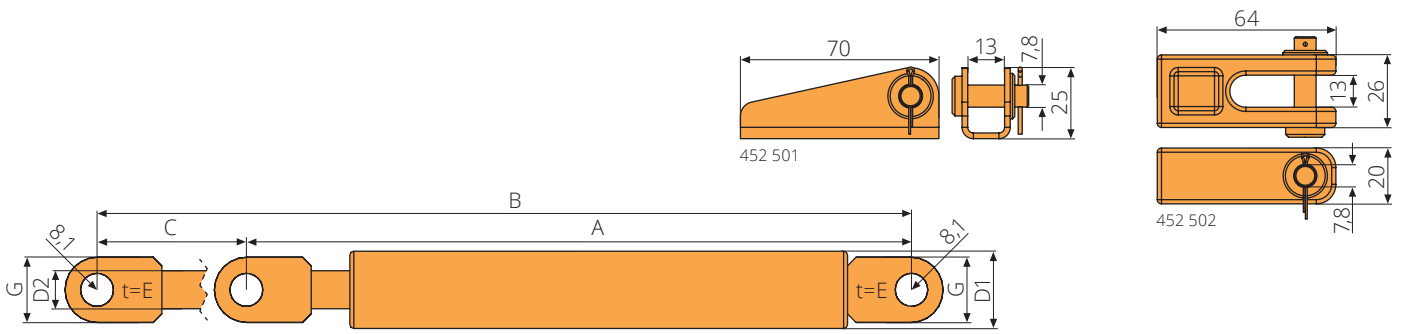


Article no.	Product	Description
120 400 01	Ring nut	M16, galvanized, DIN 582
453 170 02	Ring nut with collar	M16, galvanized, collar 3x18mm
453 149 1	Ring nut	M16
453 149 2	Ring nut	M18
120 400 02	Ring nut	M20, galvanized, DIN 582
453 151 02	Ring nut with collar	M20, galvanized, collar 3x22mm
453 143	Ring nut with slit	M20, galvanized, slit 24mm
453 149 3	Ring nut	M20
453 146	Ring nut	M20, galvanized
120 400 03	Ring nut	M24, galvanized, DIN 582
453 143 1	Ring nut with slit	M24, galvanized, slit 28mm
453 149 4	Ring nut	M24
453 145 1	Key for ring nuts	500x50x12mm, for M16, M20 & M24, galvanized
453 177	Nut with handle	M16, galvanized
453 178	Nut with handle	M20, galvanized



Article no.	Product	Description
453 145 1	Key for ring nuts	500x50x12mm, for M16, M20 & M24, galvanized

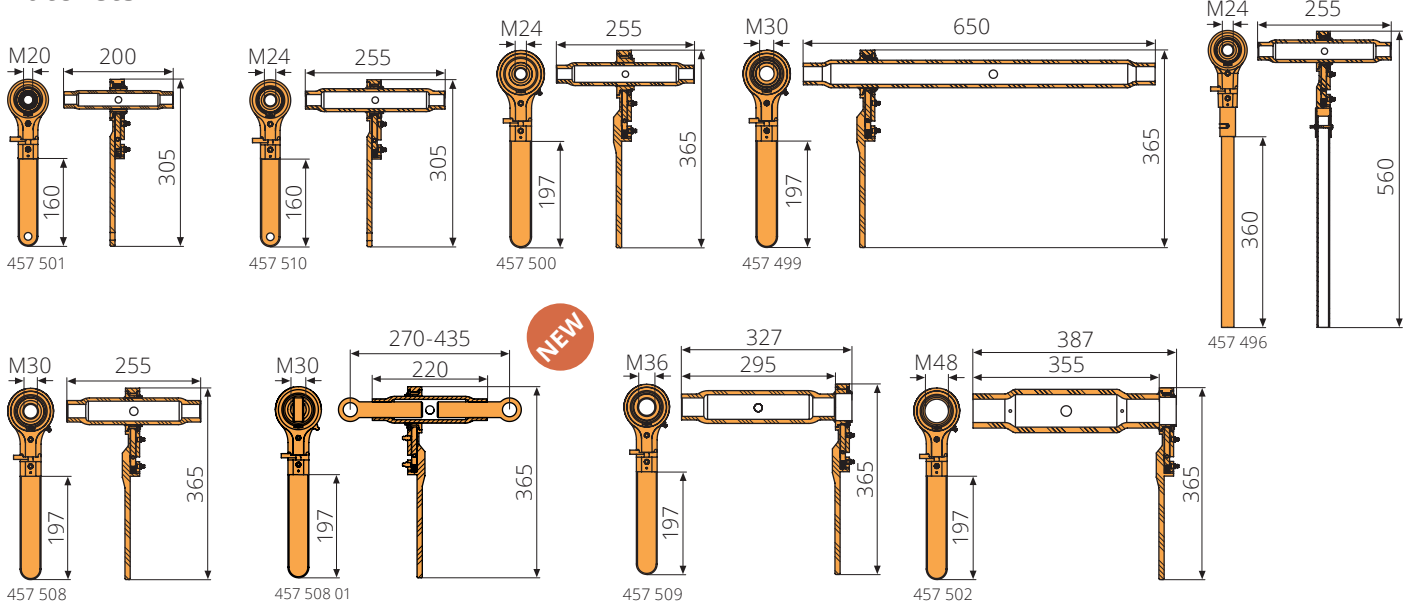
Gas springs



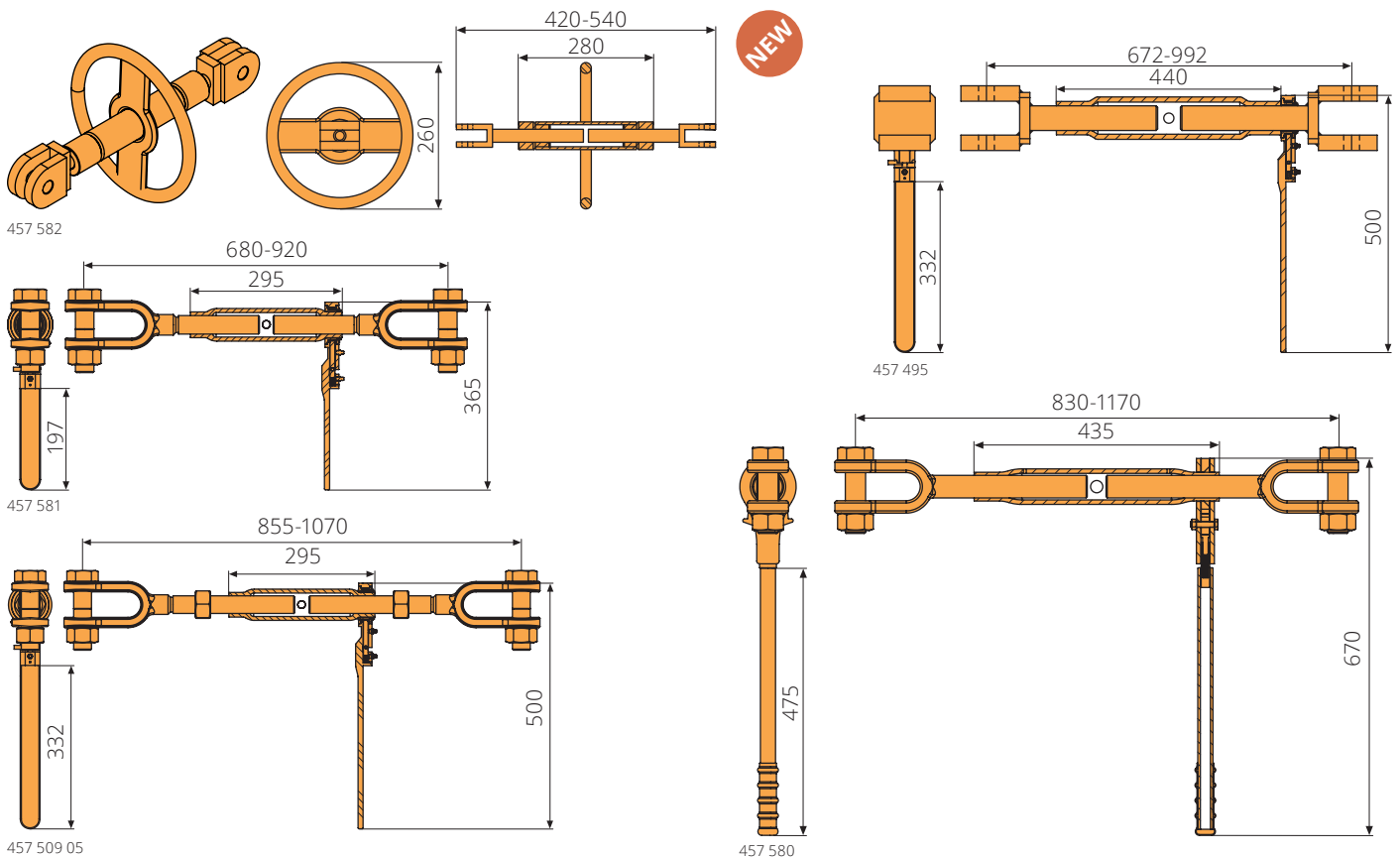
Article no.	Product	Spring force	Stroke C	Length A	Length B	Clinder D1	Piston D2	Eyes
452 500	Gas spring	250N	100mm	201mm	300,5mm	22mm	10mm	E = 12mm G = 17mm Eyes with thread
452 505	Gas spring	500N						
452 510	Gas spring	250N						
452 515	Gas spring	500N	150mm	295mm	444,5mm			
452 520	Gas spring	750N						
452 525	Gas spring	1000N						
452 530	Gas spring	250N	200mm	305mm	504,5mm			
452 535	Gas spring	500N						
452 540	Gas spring	750N						
452 545	Gas spring	1000N	250mm	402mm	651,5mm			
452 550	Gas spring	250N						
452 555	Gas spring	500N						
452 560	Gas spring	750N	300mm	451mm	750,5mm			
452 565	Gas spring	1000N						
452 571	Gas spring	500N						
452 575	Gas spring	750N	400mm	496,5mm	896,5mm			
452 580	Gas spring	1000N						
452 585	Gas spring	1250N						
452 590	Gas spring	1500N	100mm	185mm	285mm			
452 595	Gas spring	500N						
452 600	Gas spring	750N						
452 605	Gas spring	1000N	150mm	235mm	385mm			
452 610	Gas spring	1250N						
452 615	Gas spring	1500N						
452 620	Gas spring	2000N	200mm	285mm	485mm			
452 625	Gas spring	250N						
452 630	Gas spring	500N						
452 635	Gas spring	250N	250mm	335mm	585mm			
452 640	Gas spring	500N						
452 645	Gas spring	750N						
452 650	Gas spring	1000N	300mm	385mm	685mm			
452 655	Gas spring	1150N						
452 660	Gas spring	250N						
452 665	Gas spring	500N	400mm	490mm	890mm			
452 670	Gas spring	750N						
452 675	Gas spring	1000N						
452 680	Gas spring	1150N	22mm	285mm	485mm			
452 685	Gas spring	250N						
452 690	Gas spring	500N						
452 695	Gas spring	750N	250mm	335mm	585mm			
452 700	Gas spring	1000N						
452 705	Gas spring	1150N						
452 710	Gas spring	500N	300mm	385mm	685mm			
452 715	Gas spring	750N						
452 720	Gas spring	1000N						
452 725	Gas spring	1150N	400mm	490mm	890mm			
452 730	Gas spring	500N						
452 735	Gas spring	750N						
452 740	Gas spring	950N						

Article no.	Product	Description
452 502	Bracket for gas spring	with pin, cotter pin & washer
452 501	Bracket for gas spring	with pin, cotter pin & washer

Ratchets

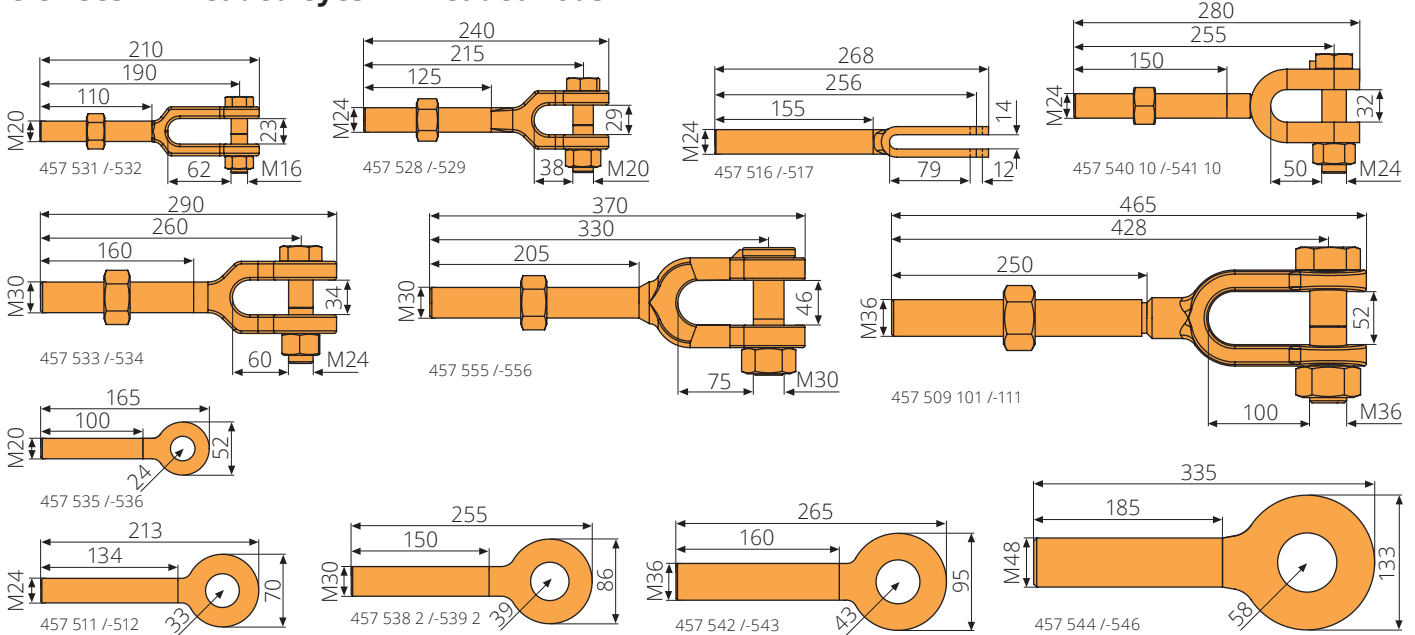


Article no.	Product	Description
457 501	Ratchet	M20, turnbuckle L=200mm, handle L=160mm, for compactors, type LOTUS, galvanized
457 510	Ratchet	M24, turnbuckle L=255mm, handle L=160mm, for compactors, galvanized
457 500	Ratchet	M24x255x365mm, handle L=197mm, for compactors, galvanized
457 496	Ratchet	M24, turnbuckle L=255mm, handle L=360mm, for swap containers, type HÜFFERMANN, galvanized
457 508	Ratchet	M30, turnbuckle L=255mm, handle L=197mm, for compactors, galvanized
457 508 01	Ratchet	M30x220x365mm, handle L=197mm, for compactors, with threaded eyes, galvanized
457 499	Ratchet	M30, turnbuckle L=650mm, handle L=197mm, for stationary compactors, galvanized
457 509	Ratchet	M36, turnbuckle L=295mm, handle L=197mm, for compactors, galvanized
457 502	Ratchet	M48, turnbuckle L=355mm, handle L=197mm, for stationary compactors, galvanized

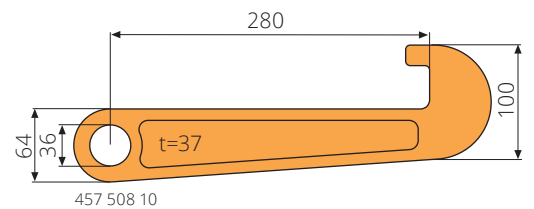
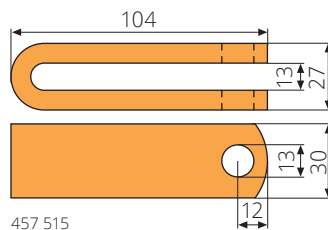
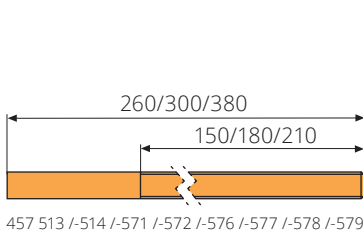


Article no.	Product	Description
457 582	Ratchet with clevises & hand wheel	TR24x5, turnbuckle L=280mm, hand wheel D=260mm, with clevises with trapezoidal thread, painted black
457 509 05	Ratchet with clevises	M36, turnbuckle L=295mm, handle L=332mm, with clevises 457 509 101 /-509 111, galvanized
457 580	Ratchet with clevises	M40, turnbuckle L=435mm, handle L=465mm, with clevises, galvanized
457 581	Ratchet with clevises	M36, turnbuckle L=295mm, handle L=197mm, with clevises, galvanized
457 495	Ratchet with clevises	TR48, turnbuckle L=440mm, handle L=332mm, with clevises with trapezoidal thread, galvanized

Clevises / Threaded eyes / Threaded rods

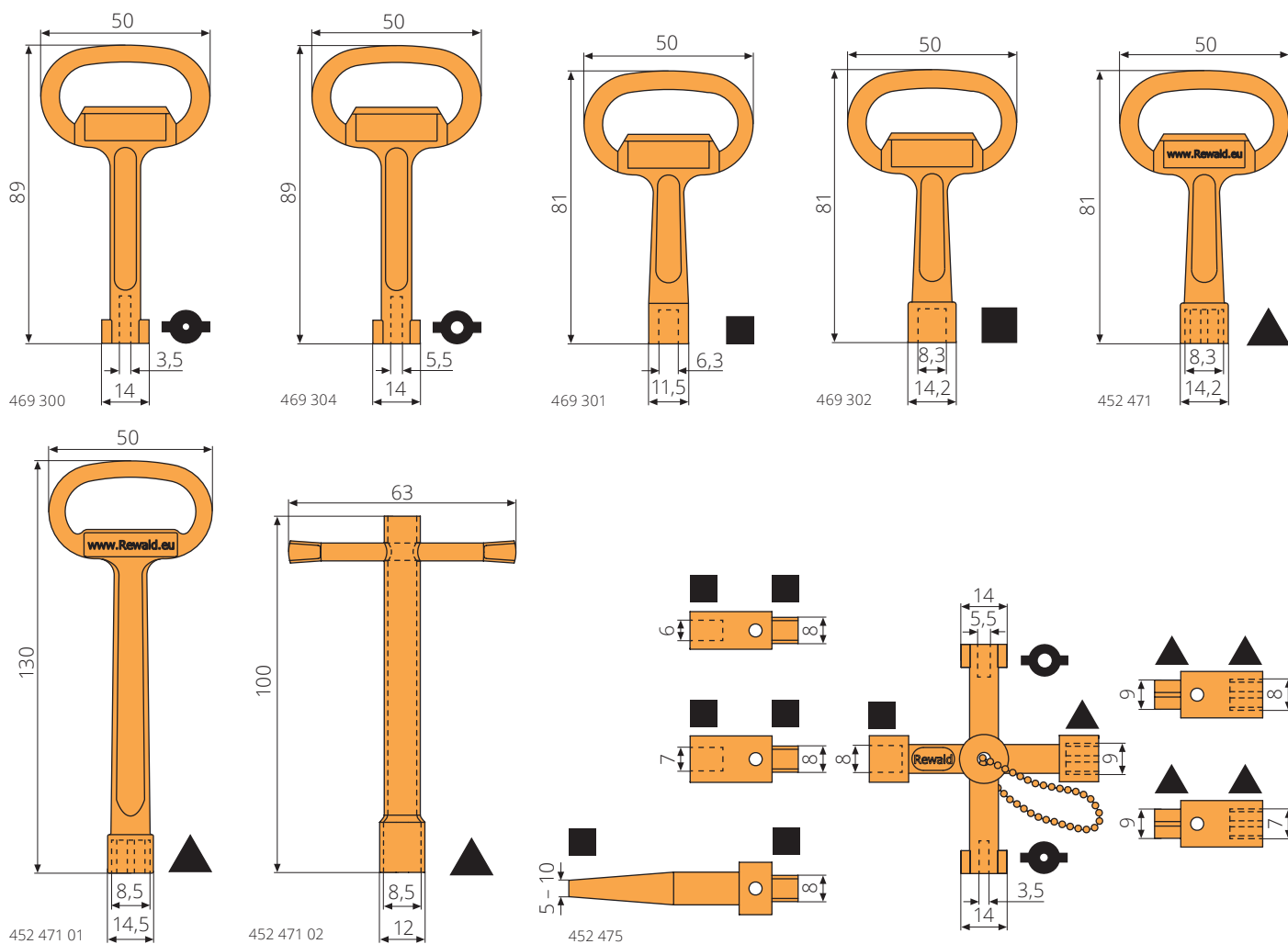


Article no.	Product	Description
457 531	Clevis	M20x210mm, left-hand thread, galvanized, with bolt & nuts
457 532	Clevis	M20x210mm, right-hand thread, galvanized, with bolt & nuts
457 528	Clevis	M24x240mm, left-hand thread, galvanized, forged, with bolt & nuts
457 529	Clevis	M24x240mm, right-hand thread, galvanized, forged, with bolt & nuts
457 516	Clevis	M24x268mm, left-hand thread, galvanized
457 517	Clevis	M24x268mm, right-hand thread, galvanized
457 540 10	Clevis	M24x280mm, left-hand thread, galvanized, welded, with locking lug, bolt & nut
457 541 10	Clevis	M24x280mm, right-hand thread, galvanized, welded, with locking lug, bolt & nuts
457 533	Clevis	M30x290mm, left-hand thread, galvanized, with bolt & nuts
457 534	Clevis	M30x290mm, right-hand thread, galvanized, with bolt & nuts
457 555	Clevis	M30x370mm, left-hand thread, galvanized, forged, with locking lug, bolt & nuts
457 556	Clevis	M30x370mm, right-hand thread, galvanized, forged, with locking lug, bolt & nuts
457 509 101	Clevis	M36x465mm, left-hand thread, galvanized, forged, with bolt & nuts
457 509 111	Clevis	M36x465mm, right-hand thread, galvanized, forged, with bolt & nuts
457 535	Threaded eye	M20x165mm, left-hand thread, galvanized, d=24mm
457 536	Threaded eye	M20x165mm, right-hand thread, galvanized, d=24mm
457 511	Threaded eye	M24x213mm, left-hand thread, galvanized, d=33mm
457 512	Threaded eye	M24x213mm, right-hand thread, galvanized, d=33mm
457 538 2	Threaded eye	M30x255mm, left-hand thread, galvanized, d=39mm
457 539 2	Threaded eye	M30x255mm, right-hand thread, galvanized, d=39mm
457 542	Threaded eye	M36x265mm, left-hand thread, galvanized, d=43mm
457 543	Threaded eye	M36x265mm, right-hand thread, galvanized, d=43mm
457 544	Threaded eye	M48x335mm, left-hand thread, galvanized, d=58mm
457 545	Threaded eye	M48x335mm, right-hand thread, galvanized, d=58mm

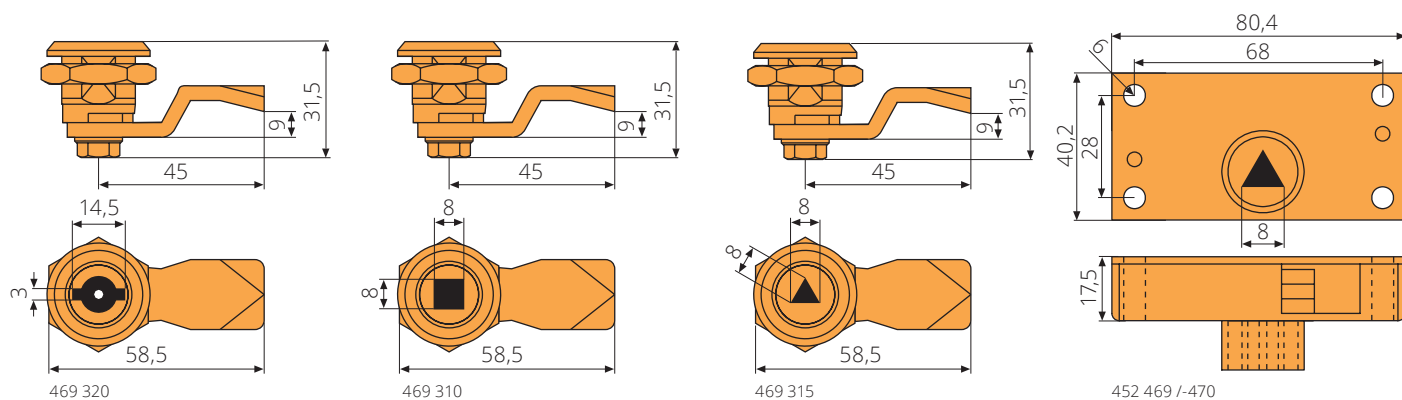


Article no.	Product	Description
457 513	Threaded rod	M24x260mm, left-hand thread, DIN 34828
457 514	Threaded rod	M24x260mm, right-hand thread, DIN 34828
457 571	Threaded rod	M30x260mm, left-hand thread, DIN 34828
457 572	Threaded rod	M30x260mm, right-hand thread, DIN 34828
457 576	Threaded rod	M36x260mm, left-hand thread, DIN 34828
457 577	Threaded rod	M36x260mm, right-hand thread, DIN 34828
457 578	Threaded rod	M48x260mm, left-hand thread, DIN 34828
457 579	Threaded rod	M48x260mm, right-hand thread, DIN 34828
457 515	Clevis head	104x30mm
457 508 10	Hook	280x37mm, galvanized

Locks & Keys



Article no.	Product	Description
469 300	Double bit key	3x14mm, L=89mm, zinc die casting
469 304	Double bit key	5x14mm, L=89mm, zinc die casting
469 301	Square key	6x11,5mm, L=81mm, internal, zinc die casting
469 302	Square key	8x14,2mm, L=81mm, internal, zinc die casting
452 471	Triangular key	8,3x14,2mm, internal, zinc die casting
452 471 01	Triangular key	8,5x14,5mm, internal, L=130mm, zinc die casting
452 471 02	Triangular key	8,5x12mm, internal, L=100mm, galvanized
452 475	Multi way key	zinc die casting, 9 functions, 5 adapters

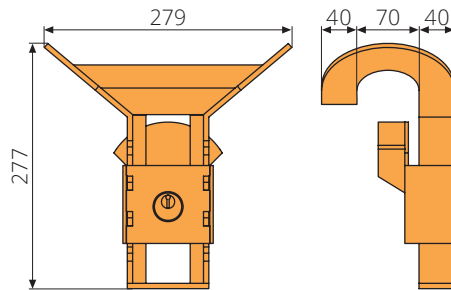
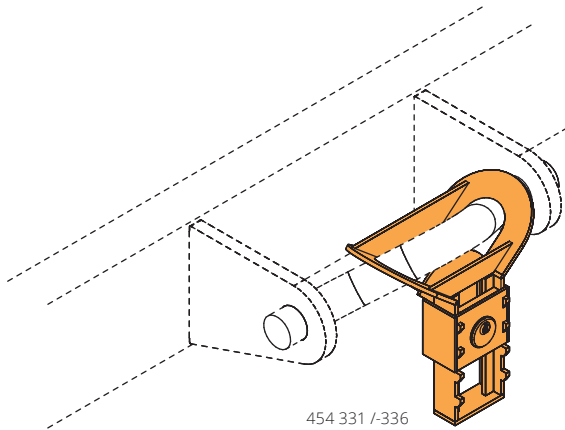


Article no.	Product	Description
469 320	Double bit lock	3mm, 45mm tongue, cranking 9mm, galvanized
469 310	Square lock	8mm, 45mm tongue, cranking 9mm, galvanized
469 315	Triangular lock	8mm, 45mm tongue, cranking 9mm, galvanized
452 469	Triangular lock	8mm, open-closed, galvanized
452 470	Triangular lock	8mm, automatic lock, galvanized

Anti theft & Locking device for lifting bar

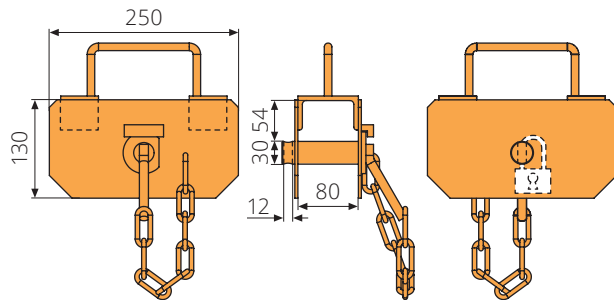
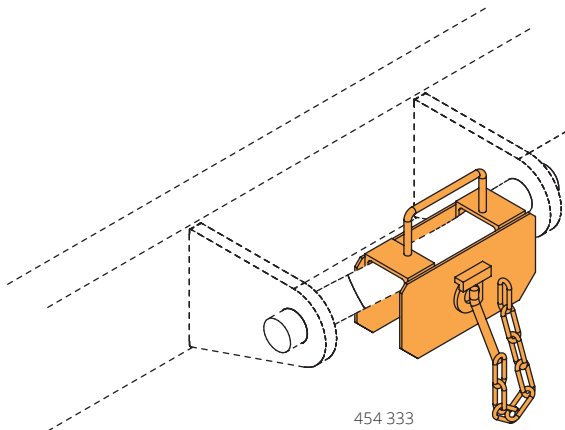
- mobile & for differently shaped bars D=50/60
- with IKON locking cylinder & 2 keys
- prevents unauthorized pick-up after attachment
- available as a keyed alike version with surcharge

DE patent DE 10 2005 031 205.5



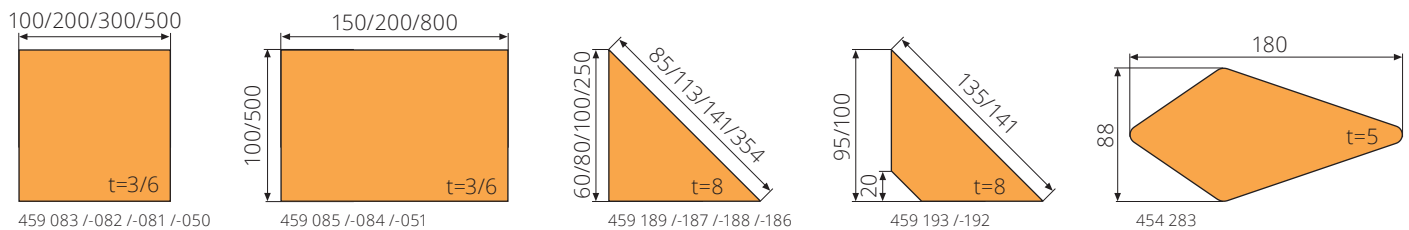
Article no.	Product	Description
454 331	Anti theft device	for roll-off containers, with locking cylinder type IKON & 2 keys, S355J2, galvanized
454 336	Anti theft device	for roll-off containers, with locking cylinder type IKON & 2 keys, S355J2, galvanized, keyed alike

- mobile & for differently shaped bars D=50/60
- indicates occupied containers
- can optionally be secured against theft with a padlock



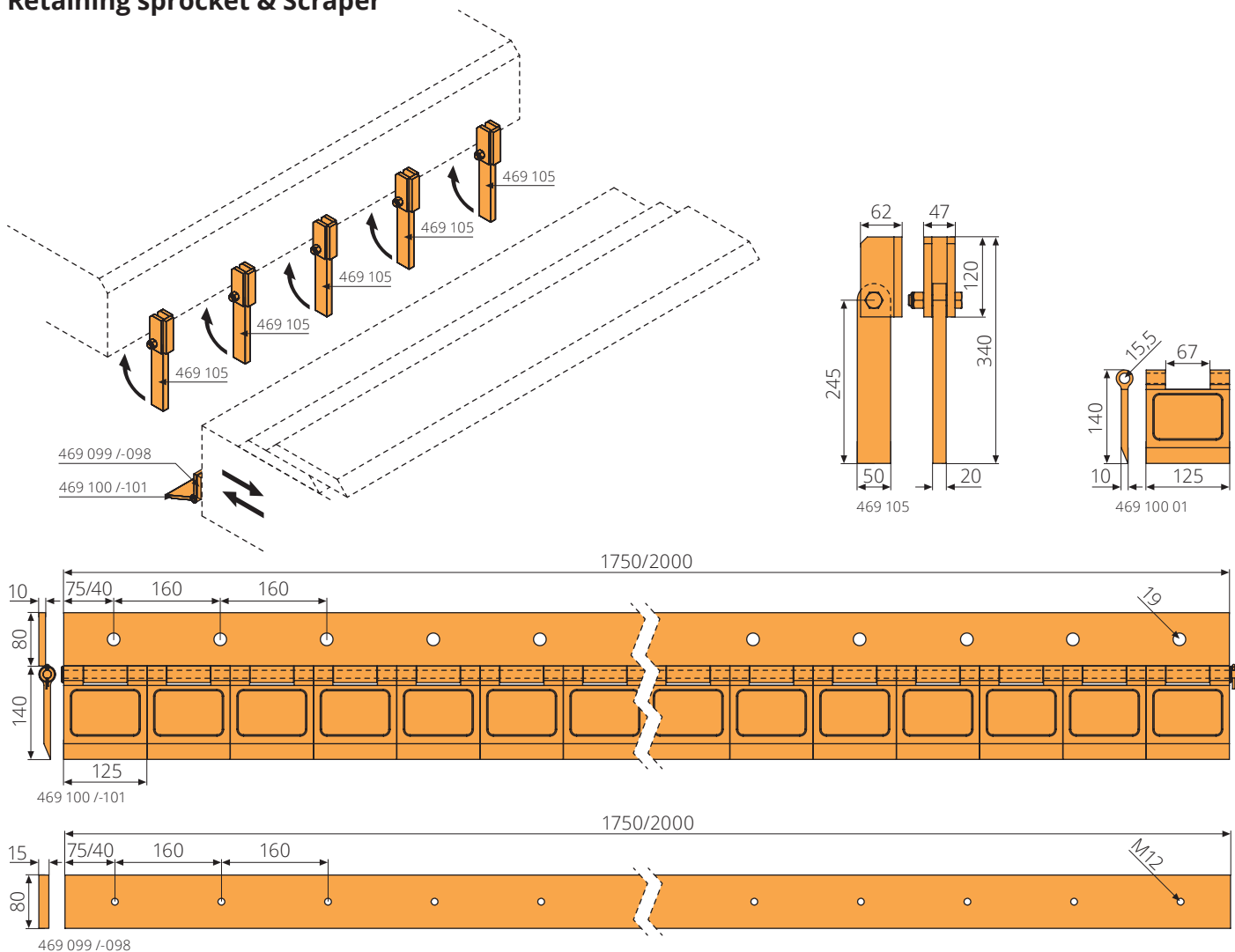
Article no.	Product	Description
454 333	Locking device for lifting bar	for roll-off containers, S355J2, galvanized

Repair sheets



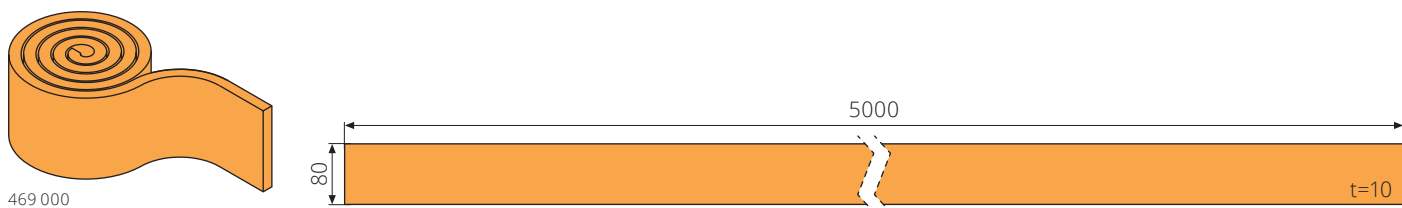
Article no.	Product	Description
459 083	Plate	100x100x3mm, square
459 082	Plate	200x200x3mm, square
459 081	Plate	300x300x3mm, square
452 050	Plate	500x500x6mm, square
459 085	Plate	150x100x3mm, rectangular
459 084	Plate	200x100x3mm, rectangular
452 051	Plate	500x800x6mm, rectangular
459 189	Plate	60x60x85x8mm, triangular
459 187	Plate	80x80x113x8mm, triangular
459 188	Plate	100x100x141x8mm, triangular
459 186	Plate	250x250x354x8mm, triangular
459 193	Plate	95x95x135x10mm, trapezoidal
459 192	Plate	100x100x141x10mm, trapezoidal
454 283	Reinforcement Plate	180x88x5mm, kite shaped

Retaining sprocket & Scraper



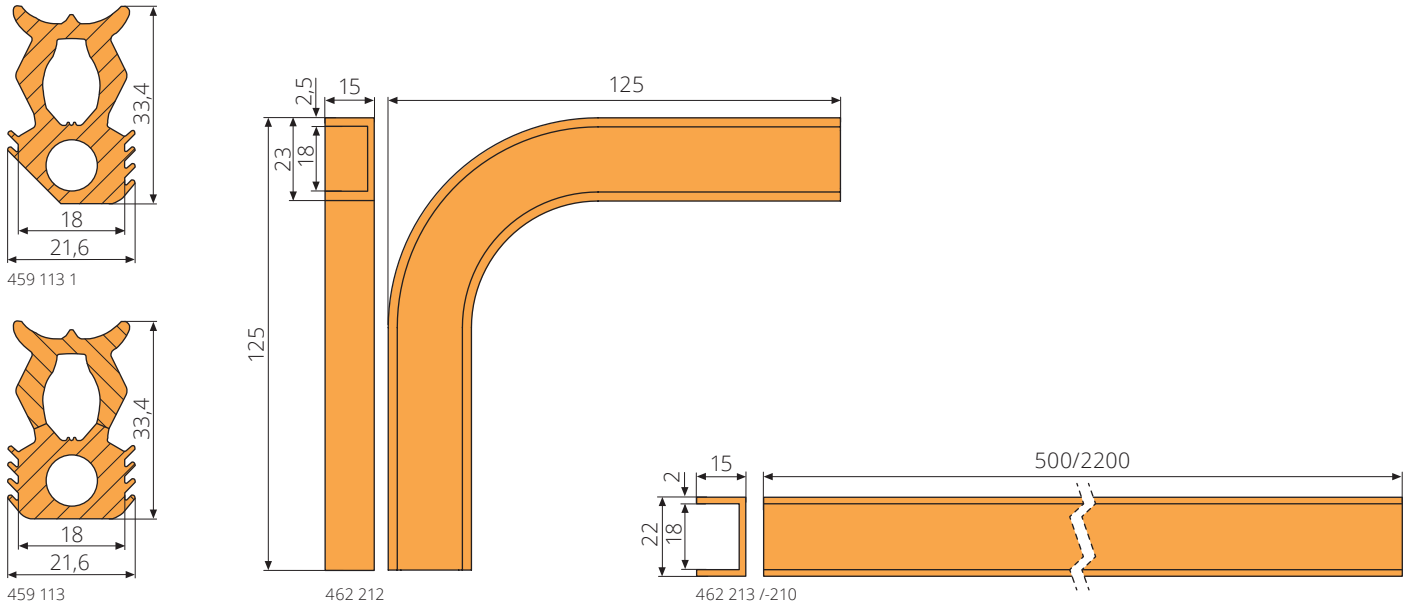
Article no.	Product	Description
469 105	Retaining sprocket	L=245mm, S235JR
469 100	Scraper	L=1750mm, with 14 scraper blades 469 100 01, mounting rail with 11 bores
469 101	Scraper	L=2000mm, with 16 scraper blades 469 100 01, mounting rail with 13 bores
469 100 01	Scraper blade	L=125mm, for scrapers 469 100 /-101
469 099	Mounting rail	L=1750mm, for welding to the compactor wall, with 11 bores, for scraper 469 100
469 098	Mounting rail	L=2000mm, for welding to the compactor wall, with 13 bores, for scraper 469 101

Plastic sheet

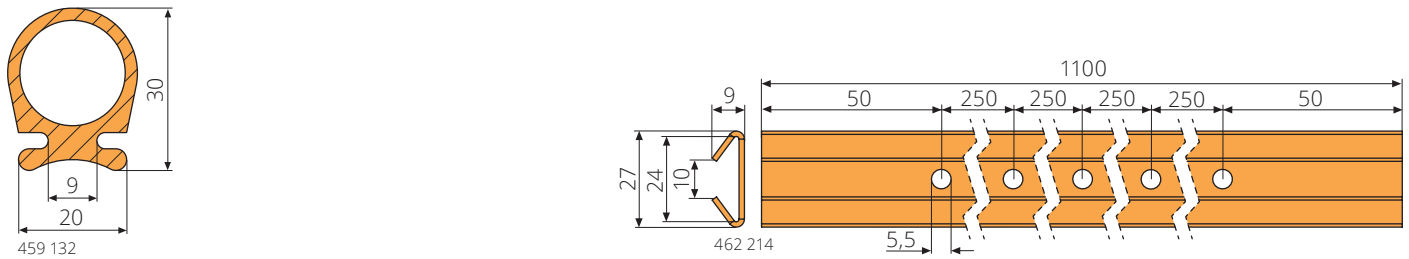


Article no.	Product	Description
469 000	Plastic sheet	80x10x5000mm, transparent, 5m bundle

Seals / Profiles for seals

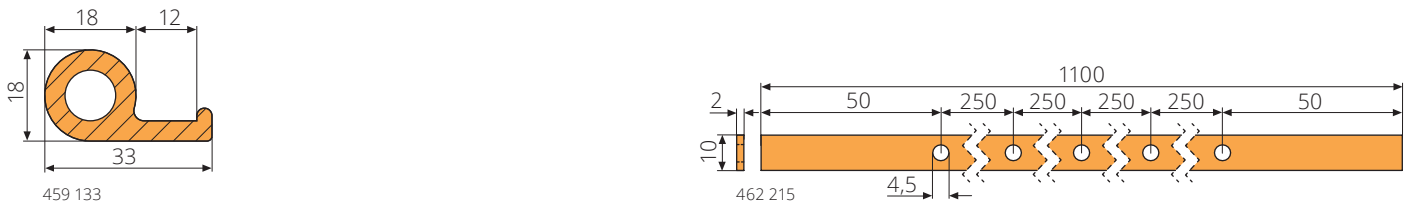


Article no.	Product	Description
459 113 1	Solid rubber seal	21,6x33,4mm, 20m bundle
459 113	Seal for compactors	21,6x33,4mm, 2 types of rubber, 20m bundle
Article no.	Product	Description
462 212	U-profile	125x23x15x2,5mm, 90° elbow, S355J2
462 213	U-profile	500x22x15x2mm, S355J2
462 210	U-profile	2200x22x15x2mm, S355J2



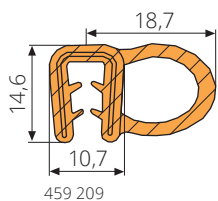
Article no.	Product	Description
459 132	Seal for container doors	20x30mm, 25m bundle

Article no.	Product	Description
462 214	Guide profile	1100x27x9mm, steel, galvanized



Article no.	Product	Description
459 133	Seal for container doors	18x33mm, 25m bundle

Article no.	Product	Description
462 215	Anchoring plate	1100x10x2mm, galvanized

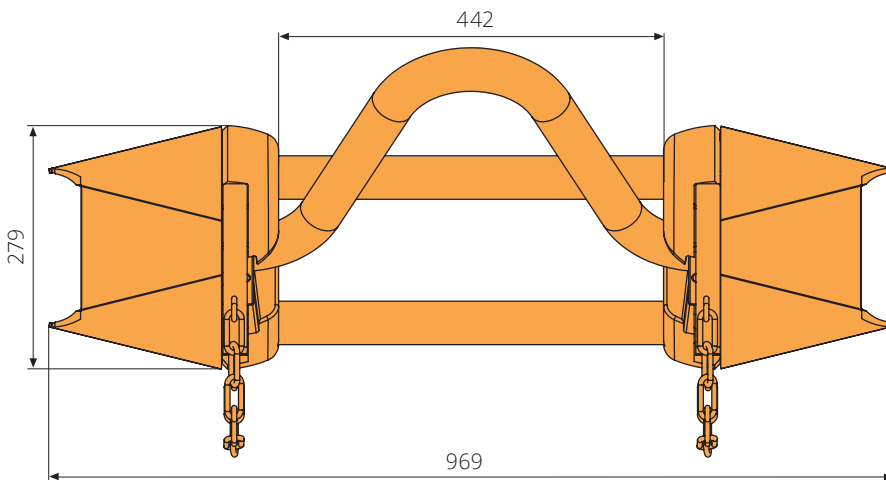
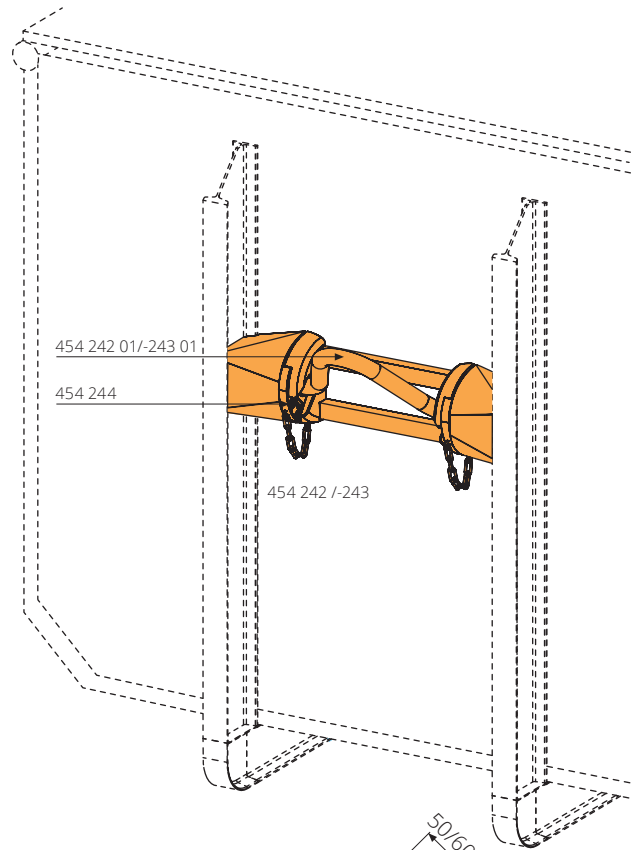


Article no.	Product	Description
459 209	Composite sealing profile	24x14,6mm, self-clamping, 25m bundle, deformable max. 10mm

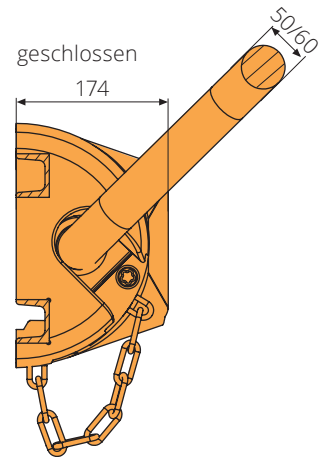
Exchangeable lifting bars

- due to the slot system the lifting bar is easily interchangeable
- can be used as an anti-theft device or for locking reserved containers
- 50/60mm bar diameter with identical mounting
- maximum carrying capacity 15/24 tonnes
- own weight 17/22 kg
- the bar can be secured with a standard or personalised lock
- easy to fit as installation dimensions comply with DIN
- DEKRA tested
- only for I-profile, for U-profile on request

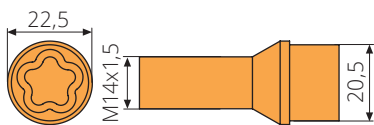
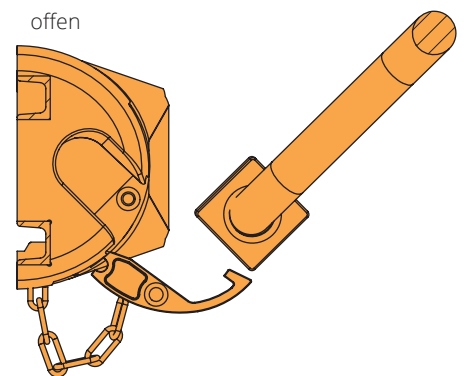
Utility model DE 20 2012 008 224.8



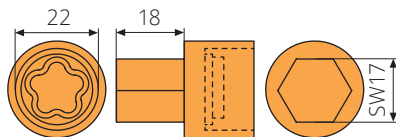
454 242 /-243



offen



454 244



454 244 1

Article no.	Product	Description
454 242	Exchangeable lifting bar complete	50x969mm, S355J2+N
454 242 01	Exchangeable lifting bar	50x565mm, S355J2+N
454 243	Exchangeable lifting bar complete	60x969mm, S355J2+N
454 243 01	Exchangeable lifting bar	60x565mm, S355J2+N
Article no.	Product	Description
454 244	Lock for exchangeable lifting bar	M14x1,5mm
454 244 1	Key for exchangeable lifting bar	SW17

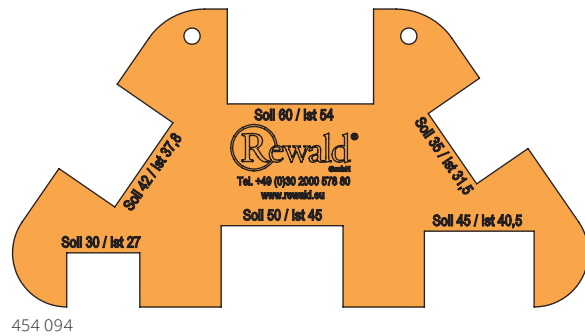
Wear gauge for container inspection according to DIN (wear limit of 10%)

6 gap gauges for checking admissible wear limits of 10% according to DIN 30735, DIN 30720-1/-2 & DIN 30722-1/-2/-3:

- Lifting bars on roll-off containers & mobile compactors
- Tipping bolts on skips
- Lifting lugs on skips

The wear gauge enables a quick & secure check of the above named components within the framework of container inspections. Select the respective gap gauge according to the nominal dimension for the lifting bar, tipping bolt or lifting lug. If it is possible to slide the gauge over the diameter of the tested part, it no longer conforms with safety requirements. Holes for filing away.

Utility model DE 20 2009 002 403.2

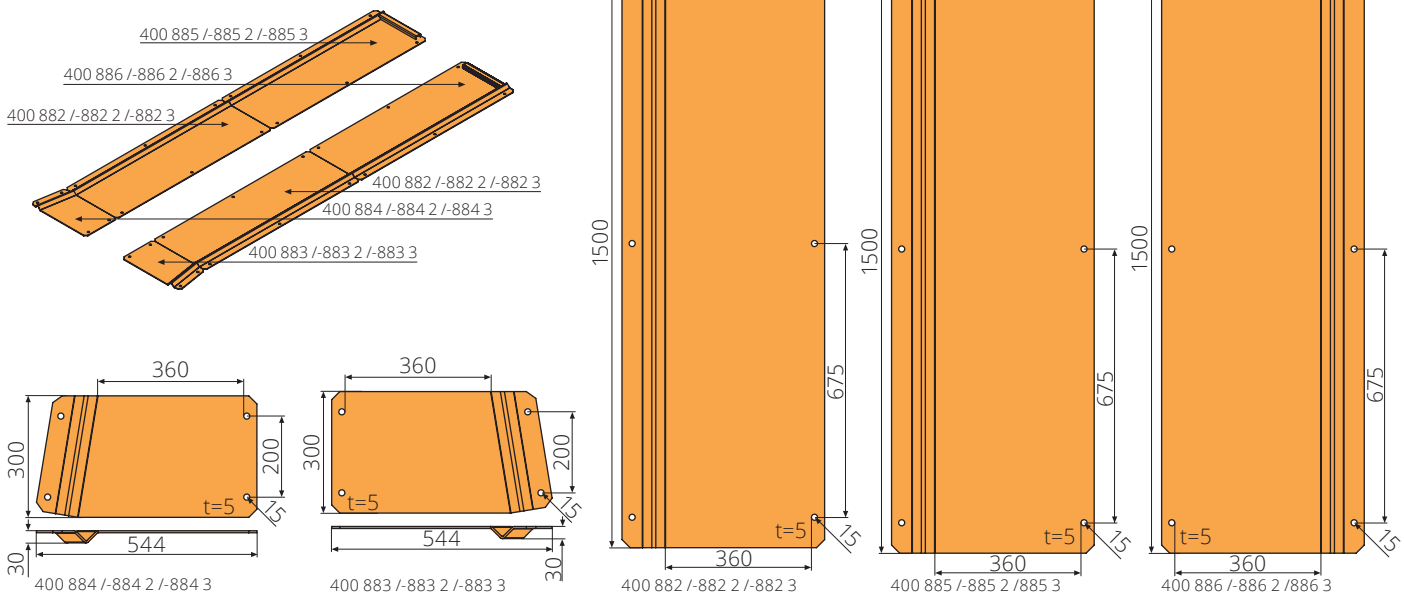


454 094

Article no.	Product	Description
454 094	Wear gauge	V4A plate, for checking a wear limit of 10% according to DIN

Shunting aids

- helpful in confined parking spaces, protects the surface
- the shunting aids are variable in length with individual modules



Article no.	Product	Description
400 882	Shunting aid	1500x500x30mm, left/right, raw
400 885	Shunting aid with stop	1500x500x30mm, left, raw
400 886	Shunting aid with stop	1500x500x30mm, right, raw
400 884	Shunting aid	300x544x30mm, front left/rear right, raw
400 883	Shunting aid	300x544x30mm, front right/rear left, raw

Article no.	Product	Description
400 882 2	Shunting aid	1500x500x30mm, left/right, stainless steel
400 885 2	Shunting aid with stop	1500x500x30mm, left, stainless steel
400 886 2	Shunting aid with stop	1500x500x30mm, right, stainless steel
400 884 2	Shunting aid	300x544x30mm, front left/rear right, stainless steel
400 883 2	Shunting aid	300x544x30mm, front right/rear left, stainless steel

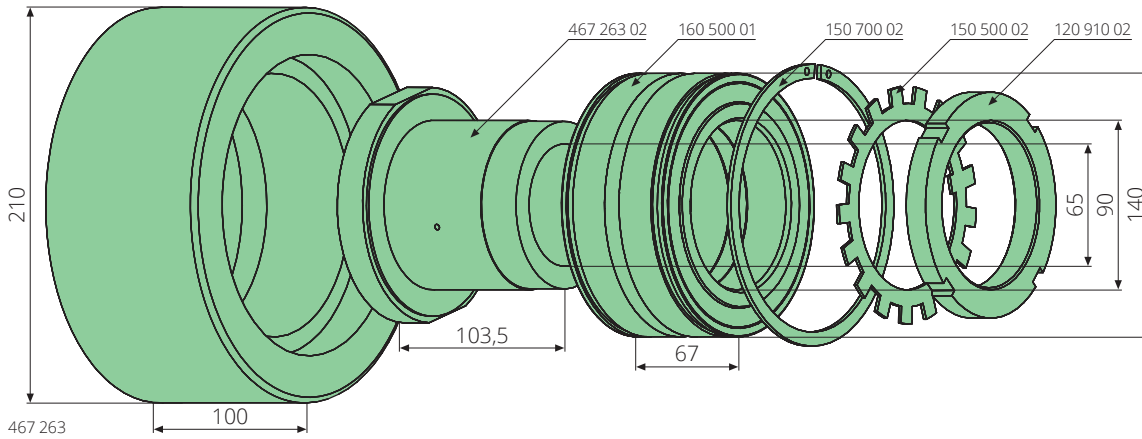
Article no.	Product	Description
400 882 3	Shunting aid	1500x500x30mm, left/right, galvanized
400 885 3	Shunting aid with stop	1500x500x30mm, left, galvanized
400 886 3	Shunting aid with stop	1500x500x30mm, right, galvanized
400 884 3	Shunting aid	300x544x30mm, front left/rear right, galvanized
400 883 3	Shunting aid	300x544x30mm, front right/rear left, galvanized



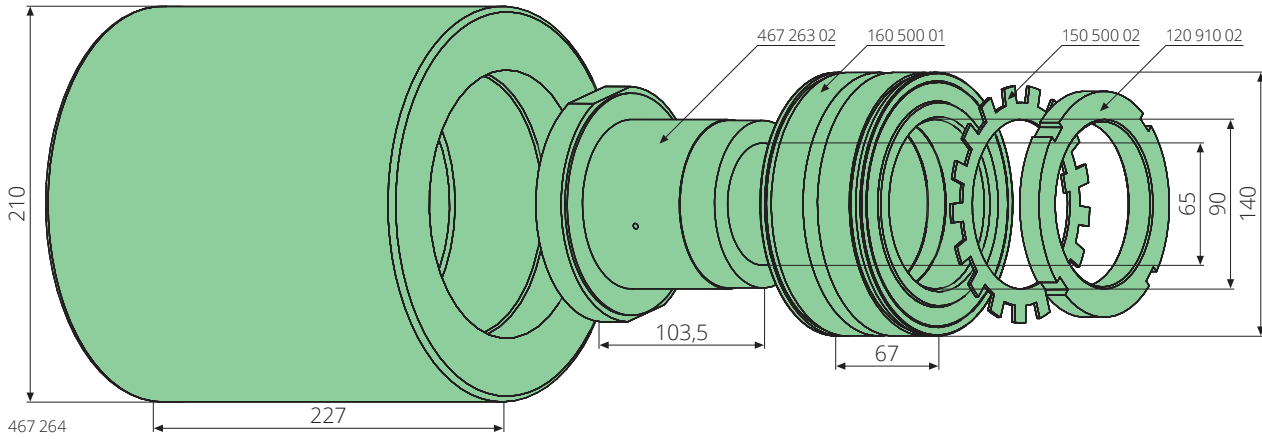


Components for Balers

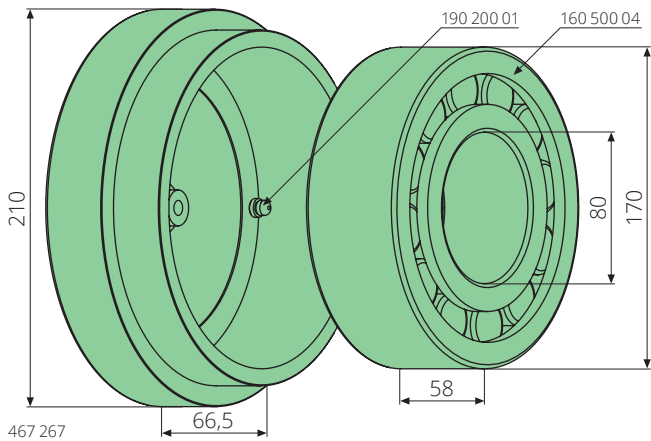
Track rollers



Article no.	Product	Description
467 263	Track roller complete	65-210-100mm, 42CrMo4, hardened, with bearing & bushing
160 500 01	Roller bearing	90-140-67mm, DIN 5412, SL045018-PP
467 263 02	Bushing	65-125/90-103,5mm, 9SMn28k
150 700 02	Retaining ring	d=134,8mm, t=2,5mm, WRE 140
150 500 02	Lock washer	d=90mm, t=1,75mm, MB18, DIN 5406
120 910 02	Lock nut	M90x2mm, KM18, DIN 981

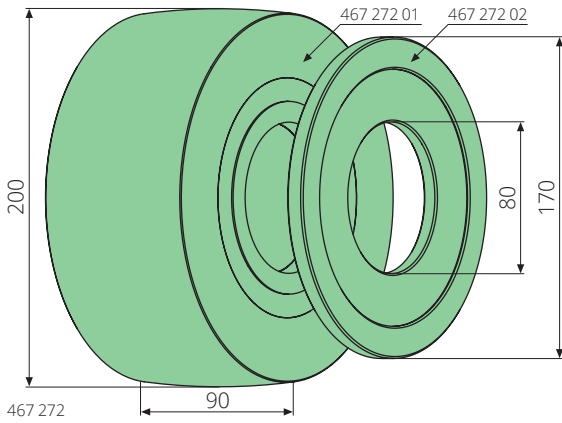


Article no.	Product	Description
467 264	Track roller complete	65-210-227mm, 42CrMo4, hardened, with bearings & bushing
160 500 01	Roller bearing	90-140-67mm, DIN 5412, SL045018-PP
467 263 02	Bushing	65-125/90-103,5mm, 9SMn28k
150 500 02	Lock washer	d=90mm, t=1,75mm, MB18, DIN 5406
120 910 02	Lock nut	M90x2mm, KM18, DIN 981

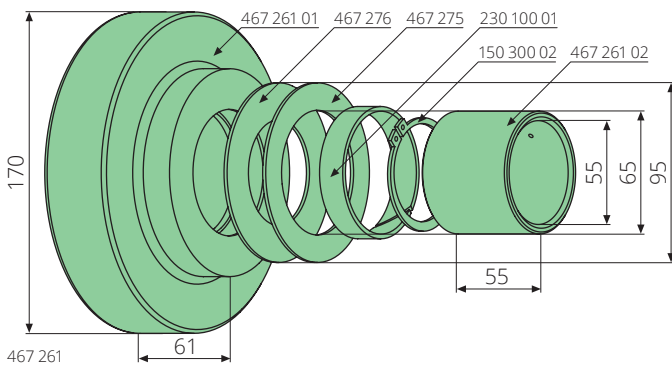


Article no.	Product	Description
467 267	Track roller complete	80-210-66,5mm, 42CrMo4, hardened, with bearing
160 500 04	Roller bearing	80-170-58mm, DIN 5412, SL-192316
190 200 01	Grease fitting	M8x1mm, galvanized, DIN 3405

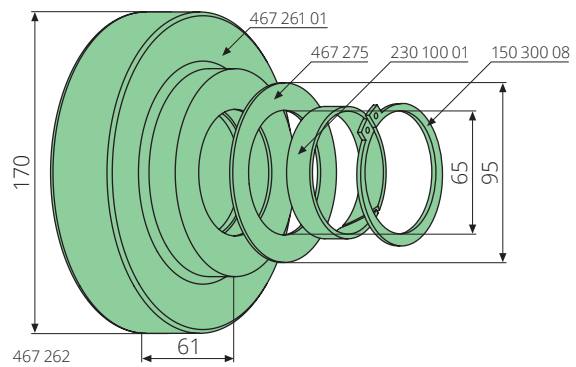
Track rollers



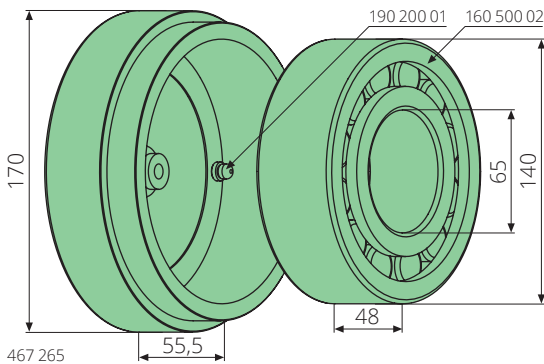
Article no.	Product	Description
467 272	Track roller complete	80-200-108mm, RSU 80-200, with roller bearing & spacing washers
467 272 01	Track roller	80-200-90mm, RSU 80-200, with roller bearing
467 272 02	Spacing washer	80-170-10mm, PE, 2 needed



Article no.	Product	Description
467 261	Track roller complete	55-170-61mm, 42CrMo4, hardened
467 261 01	Track roller	67-170-61mm, 42CrMo4
467 261 02	Bushing	55-65-55mm, X39CrMo17-1, hardened
230 100 01	Rod guide ring	65-70-15mm
467 276	Thrust ring	56-95-2mm, 51CrV4
467 275	Thrust ring	66-95-2mm, 51CrV4
150 300 02	Circlip	d=55mm, t=2mm, DIN 471, Type PAAL
467 266	Metal bonding adhesive	50 ml

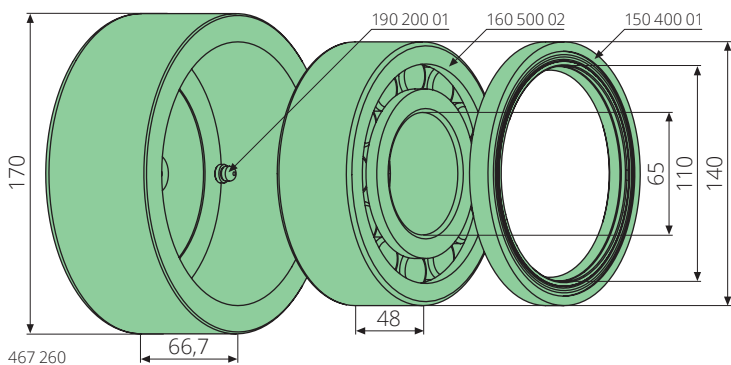


Article no.	Product	Description
467 262	Track roller complete	65-170-61mm, 42CrMo4, hardened
467 261 01	Track roller	67-170-61mm, 42CrMo4
230 100 01	Rod guide ring	65-70-15mm
467 275	Thrust ring	66-95-2mm, 51CrV4
150 300 08	Circlip	d=65mm, t=2,5mm, DIN 471

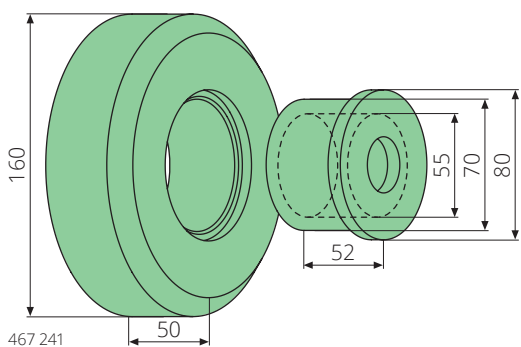


Article no.	Product	Description
467 265	Track roller complete	65-170-55,5mm, 42CrMo4, hardened, with bearing
160 500 02	Roller bearing	65-140-48mm, DIN 5412, SL-192313
190 200 01	Grease fitting	M8x1mm, galvanized, DIN 3405

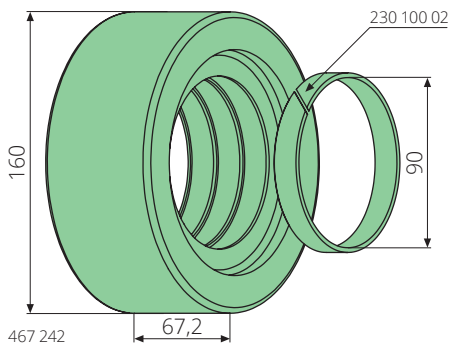
Track rollers



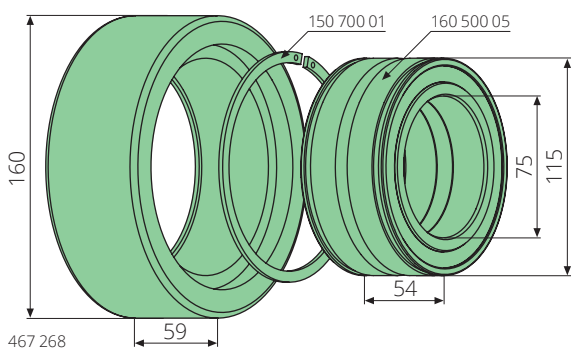
Article no.	Product	Description
467 260	Track roller complete	65-170-66,7mm, 42CrMo4, hardened, with bearing & radial shaft seal
160 500 02	Roller bearing	65-140-48mm, DIN 5412, SL-192313
150 400 01	Radial shaft seal	110-140-12mm, DIN 3760
190 200 01	Grease fitting	M8x1mm, galvanized, DIN 3405



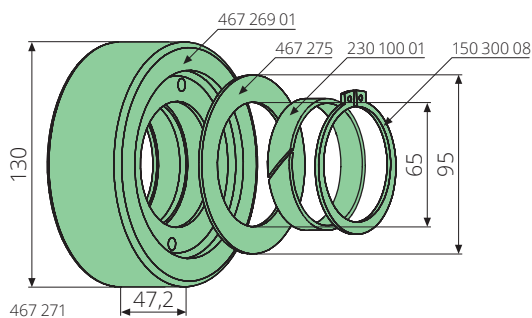
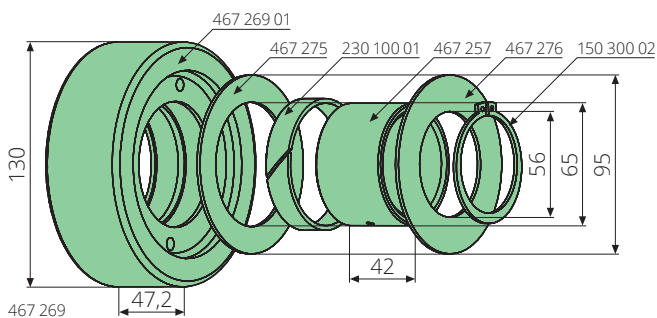
Article no.	Product	Description
467 241	Track roller complete	55-160-52mm, 42CrMo4, hardend, with bushing



Article no.	Product	Description
467 242	Track roller complete	90-160-67,2mm, 42CrMo4, with 3 rod guide rings, hardend
230 100 02	Rod guide ring	90-95-15mm

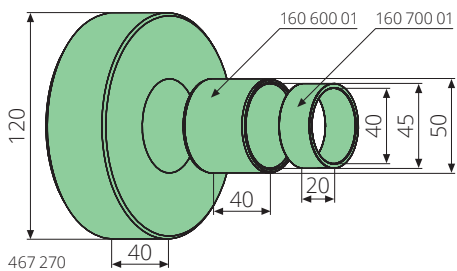


Article no.	Product	Description
467 268	Track roller complete	75-160-59mm, 42CrMo4, hardened, with bearing
160 500 05	Roller bearing	75-115-54mm, DIN 5412, SL04-5015-PP
150 700 01	Retaining ring	d=110,4mm, t=2,5mm, WRE 115



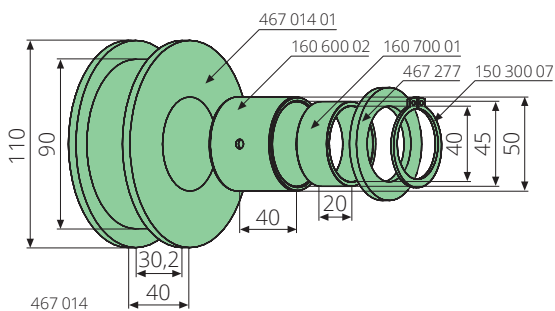
Article no.	Product	Description
467 269	Track roller complete	55-130-47,2mm, 42CrMo4, hardened, with bushing
467 269 01	Track roller	67-130-47,2mm, 42CrMo4, hardened
467 257	Bushing	55-65-42mm, with 2 bores
467 276	Thrust ring	56-95-2mm, 51CrV4
467 275	Thrust ring	66-95-2mm, 51CrV4
230 100 01	Rod guide ring	65-70-15mm
150 300 02	Circlip	d=55mm, t=2mm, DIN 471, Type PAAL

Article no.	Product	Description
467 271	Track roller complete	65-130-47,2mm, 42CrMo4, hardened
467 269 01	Track roller	67-130-47,2mm, 42CrMo4, hardened
467 275	Thrust ring	66-95-2mm, 51CrV4
230 100 01	Rod guide ring	65-70-15mm
150 300 08	Circlip	d=65mm, t=2,5mm, DIN 471



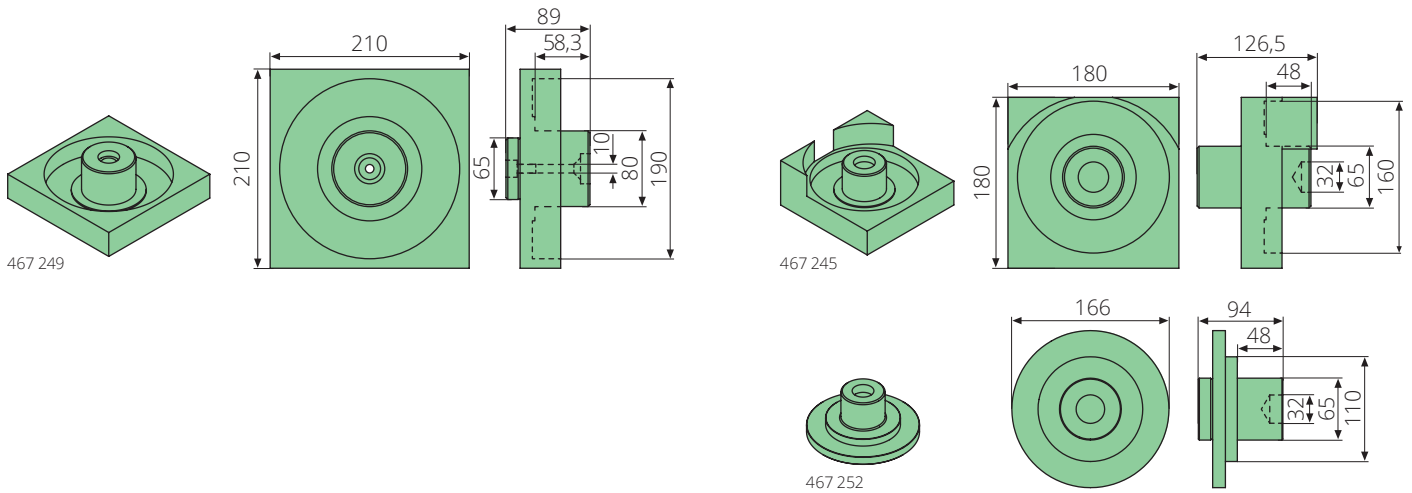
Article no.	Product	Description
467 270	Track roller complete	40-120-40mm, 42CrMo4, hardened, with slide bushing
160 600 01	Slide bushing	45-50-40mm, PAP4540P10
160 700 01	Inner ring	40-45-20mm, DIN 620

Track roller for wire thrust



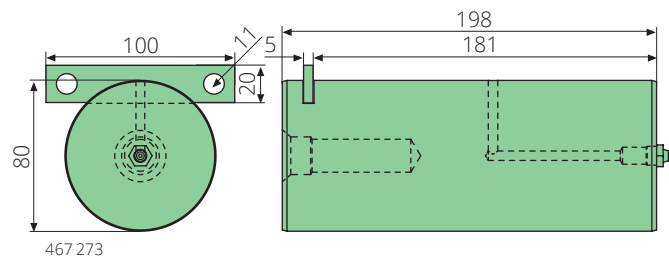
Article no.	Product	Description
467 014	Track roller complete	40-110-40mm, S355J2, with bushing, for wire thrust
467 014 01	Track roller	50-110-40mm, S355J2
160 600 02	Slide bushing	45-50-40mm, PAP4540P20
160 700 01	Inner ring	40-45-20mm, DIN 620
467 277	Thrust ring	40,2-60-4,5mm, 9SMn28k
150 300 07	Circlip	d=40mm, t=1,75mm, DIN 471

Bolts with base plate for track rollers

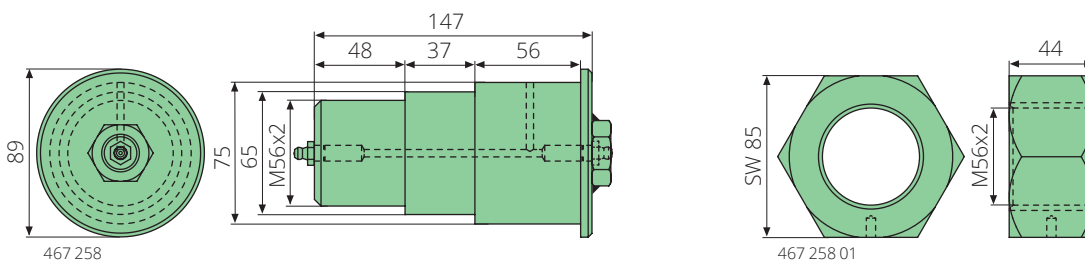


Article no.	Product	Description
467 249	Bolt with base plate for track roller	80x58,3mm, S355J2
467 245	Bolt with base plate for track roller	65x48mm, S355J2
467 252	Bolt for track rollers	65x48mm, S355J2

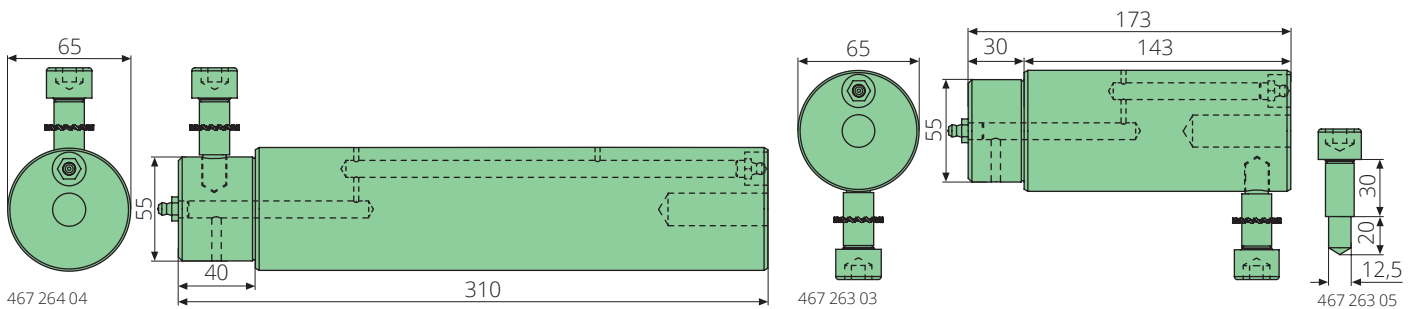
Bolts for track rollers



Article no.	Product	Description
467 273	Bolt for track rollers complete	80x198mm, C45, with locking plate

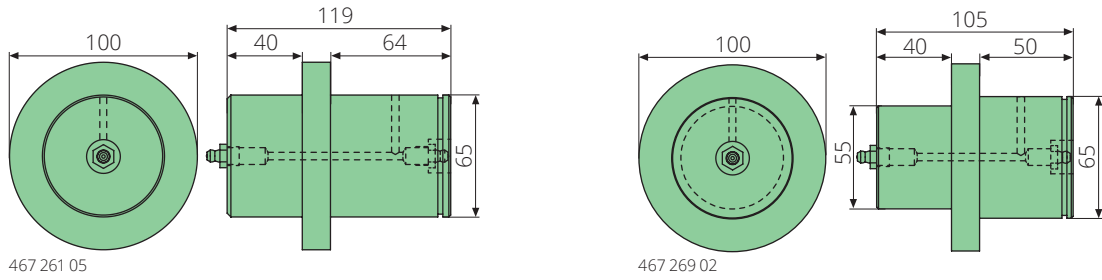


Article no.	Product	Description
467 258	Bolt for track rollers complete	M56x2mm, S355J2, with grease fittings
467 258 01	Lock nut	M56x2mm, 9SMn28k

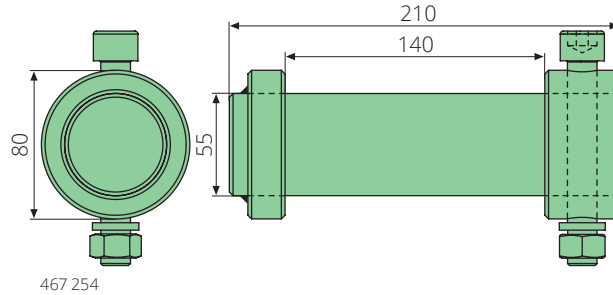


Article no.	Product	Description
467 263 03	Bolt for track rollers	65x173mm, C45k, with grease fittings, washer & screw, for central lubrication system
467 264 04	Bolt for track rollers	65x310mm, C45k, with grease fittings, washer & screw, for central lubrication system
467 263 05	Screw	M16

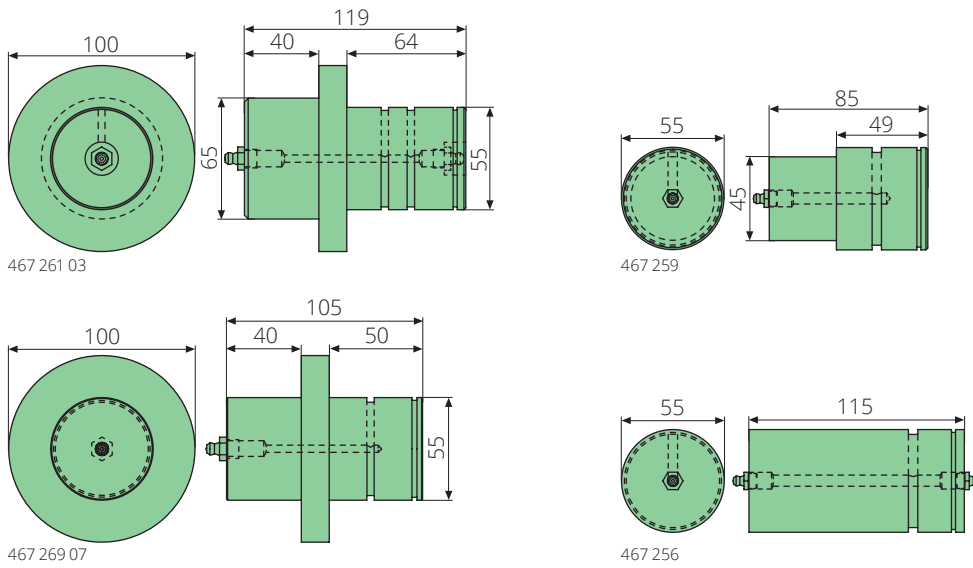
Bolts for track rollers



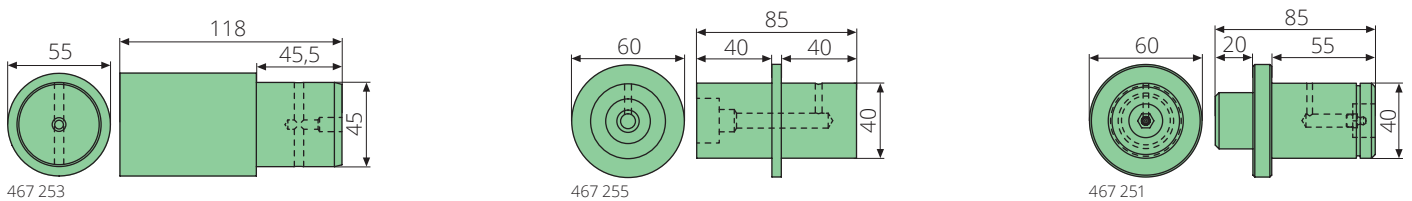
Article no.	Product	Description
467 261 05	Bolt for track rollers	65x119mm, S355J2, with grease fittings
467 269 02	Bolt for track rollers	65x105mm, S355J2, with grease fittings



Article no.	Product	Description
467 254	Bolt complete	55x210mm, C45, with collar, screw, washer & nut

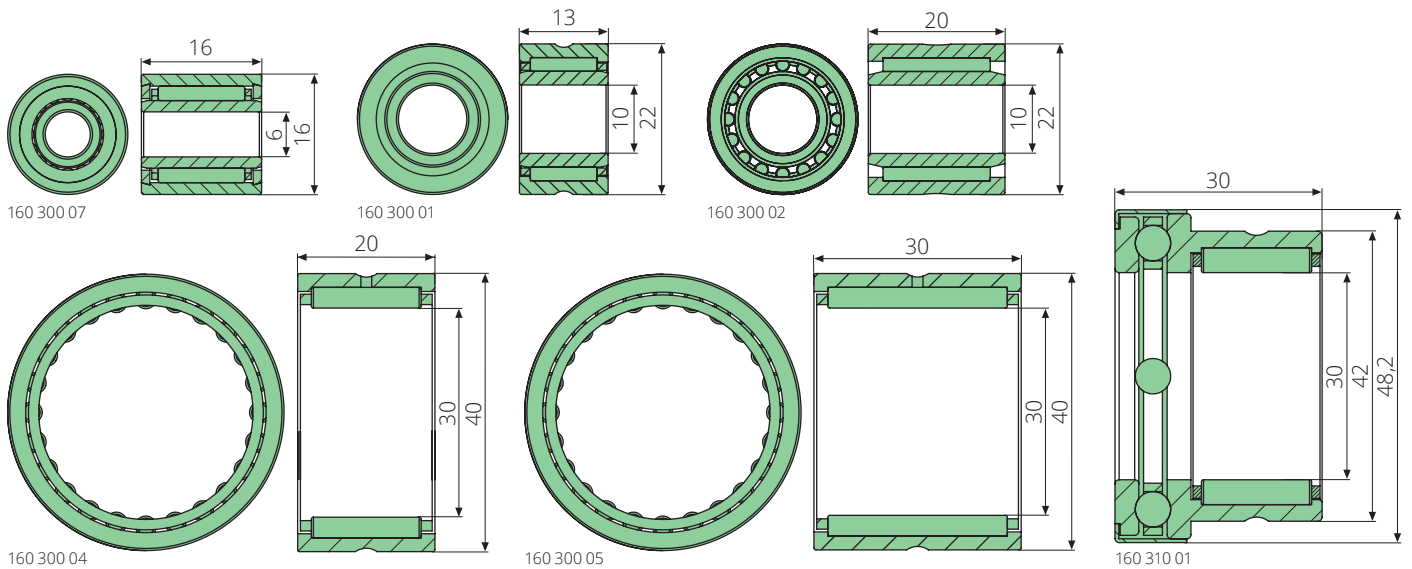


Article no.	Product	Description
467 261 03	Bolt for track rollers	55x119mm, S355J2, with grease fittings
467 269 07	Bolt for track rollers	55x105mm, S355JR, with grease fitting
467 256	Bolt for track rollers	55x115mm, S355J2, with grease fittings
467 259	Bolt for track rollers	55x85mm, S355J2, with grease fitting



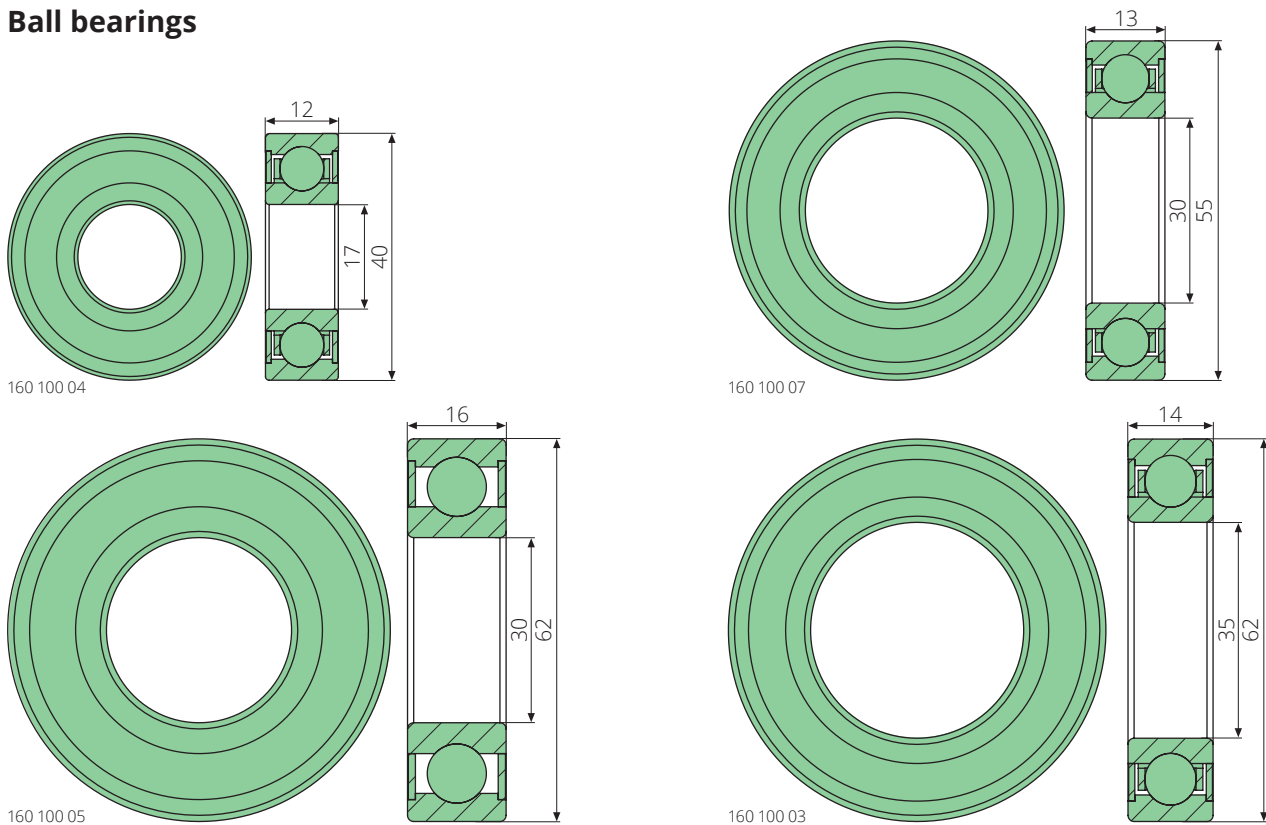
Article no.	Product	Description
467 253	Bolt for track rollers	45x118mm, C45k
467 255	Bolt for track rollers	40x85mm, S355J2
467 251	Bolt for track rollers	40x85mm, S355J2, with grease fitting, for track roller 467 014

Needle bearings



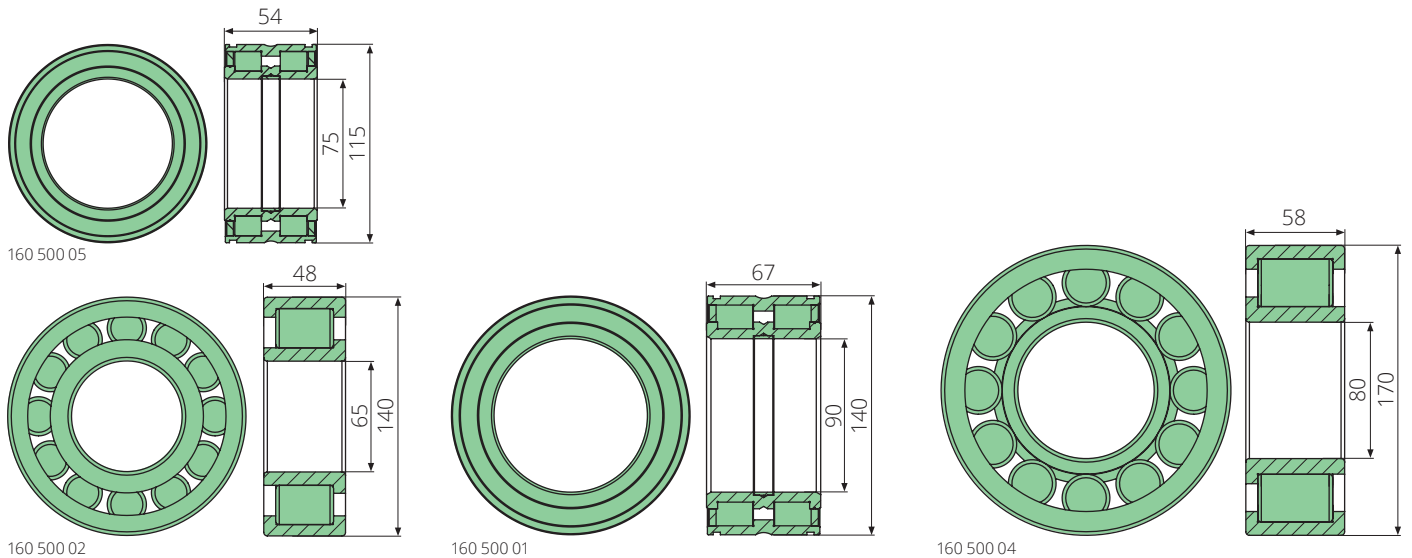
Article no.	Product	Description
160 300 07	Needle bearing	6-16-16mm, ISO 1206, NKI 6/16-TV
160 300 01	Needle bearing	10-22-13mm, ISO 1206, NA 4900
160 300 02	Needle bearing	10-22-20mm, ISO 1206, NKI10/20
160 300 04	Needle bearing	30-40-20mm, ISO 1206, NK 30/20
160 300 05	Needle bearing	30-40-30mm, ISO 1206, NK 30/30-TV
160 310 01	Needle axial ball bearing	30-48,2-30mm, DIN 5429, NKX-30-Z

Ball bearings



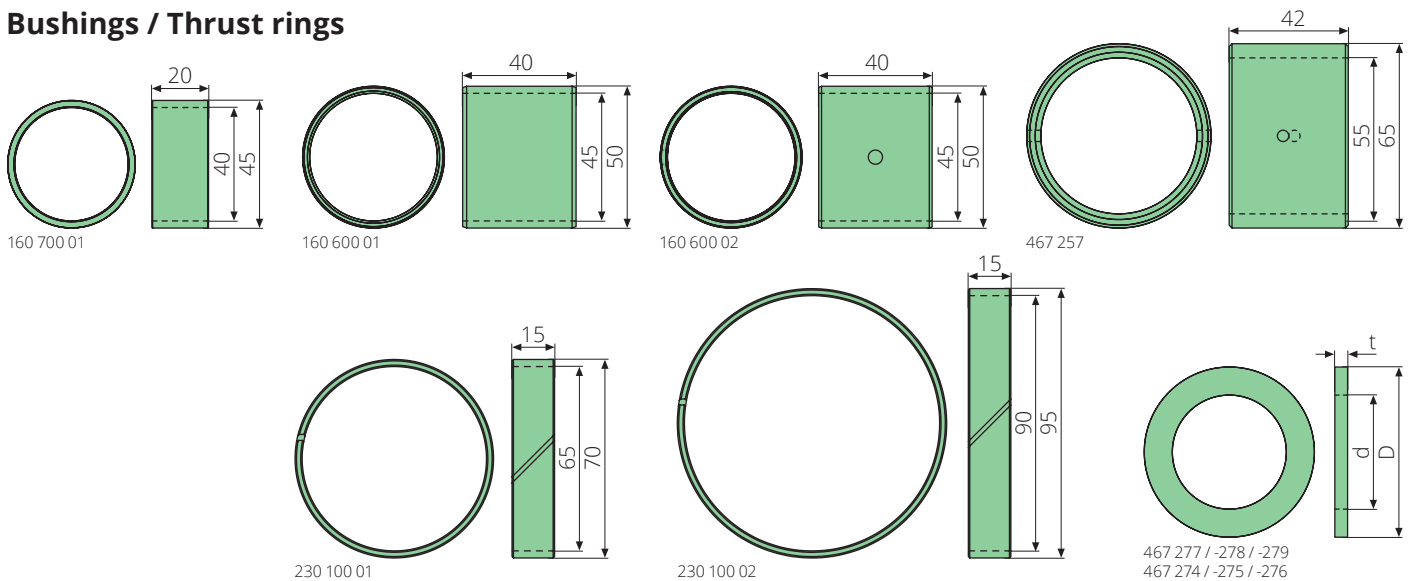
Article no.	Product	Description
160 100 04	Ball bearing	17-40-12mm, DIN 625, 6203-2RS
160 100 07	Ball bearing	30-55-13mm, DIN 625, 6006-2RS
160 100 05	Ball bearing	30-62-16mm, DIN 625, 6206-2RS
160 100 03	Ball bearing	35-62-14mm, DIN 625, 6007-2RS

Roller bearings



Article no.	Product	Description
160 500 05	Roller bearing	75-115-54mm, DIN 5412, SL04-5015-PP
160 500 02	Roller bearing	65-140-48mm, DIN 5412, SL-192313
160 500 01	Roller bearing	90-140-67mm, DIN 5412, SL045018-PP
160 500 04	Roller bearing	80-170-58mm, DIN 5412, SL-192316

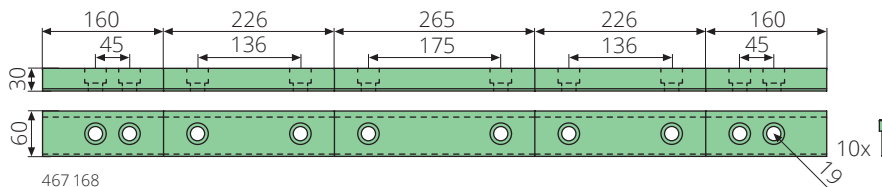
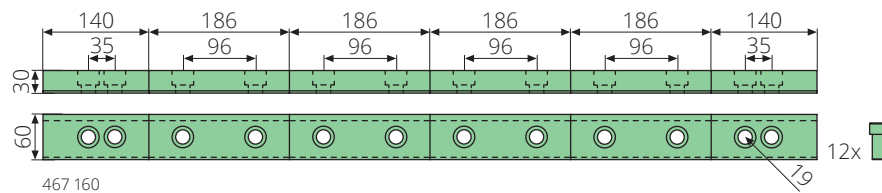
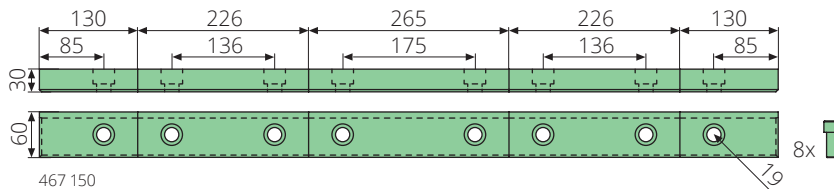
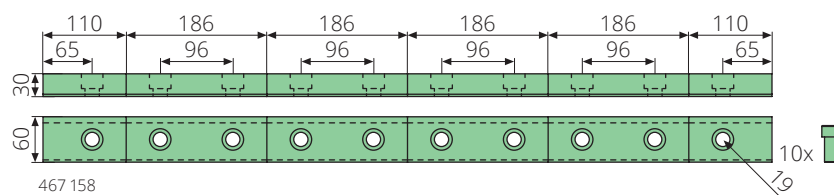
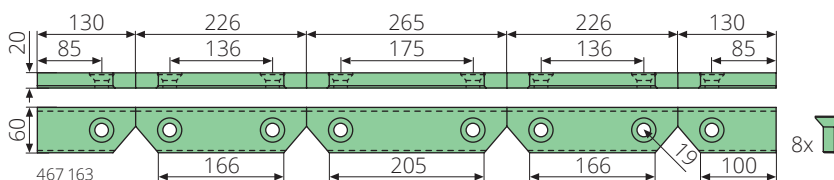
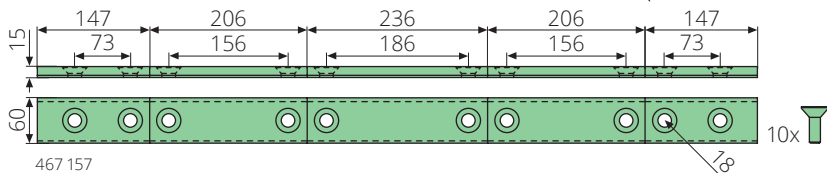
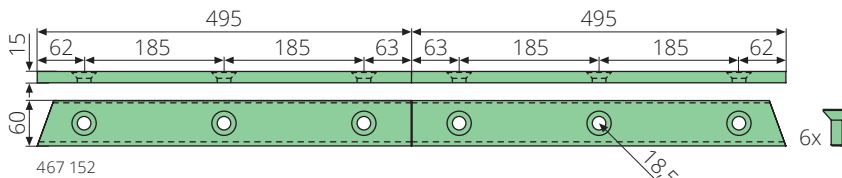
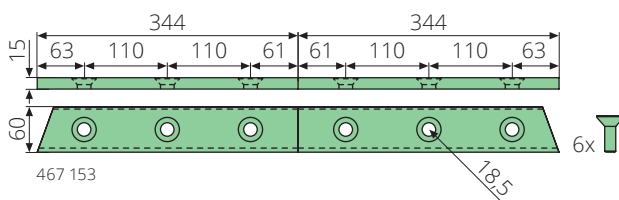
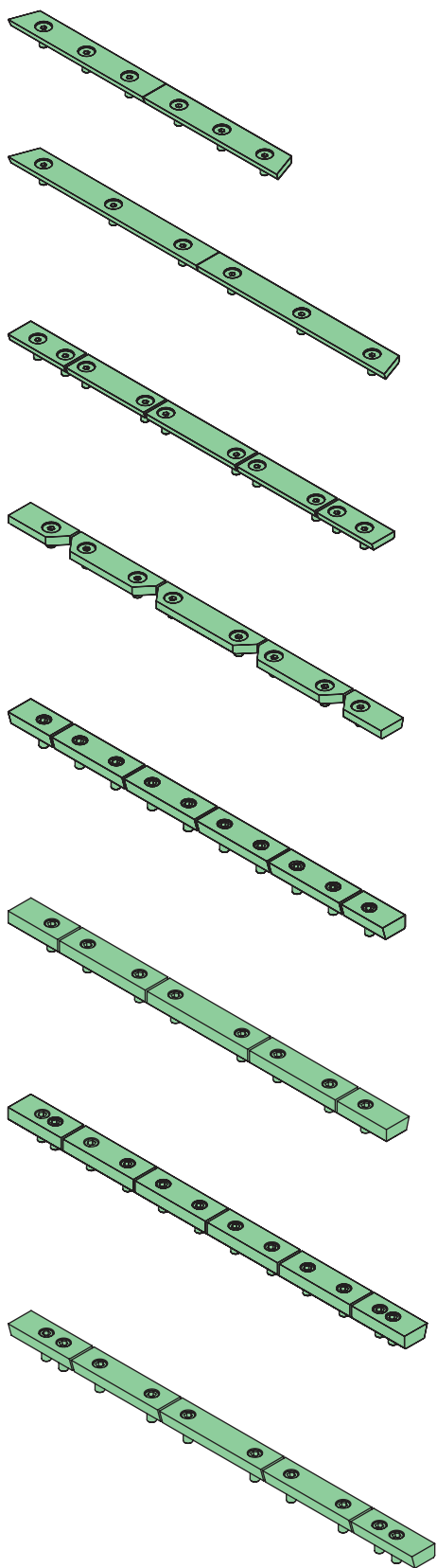
Bushings / Thrust rings



Article no.	Product	Description
160 700 01	Inner ring	40-45-20mm, DIN 620
160 600 01	Slide bushing	45-50-40mm, PAP4540P10
160 600 02	Slide bushing	45-50-40mm, PAP4540P20
467 257	Bushing	55-65-42mm, with 2 bores
230 100 01	Rod guide ring	65-70-15mm
230 100 02	Rod guide ring	90-95-15mm

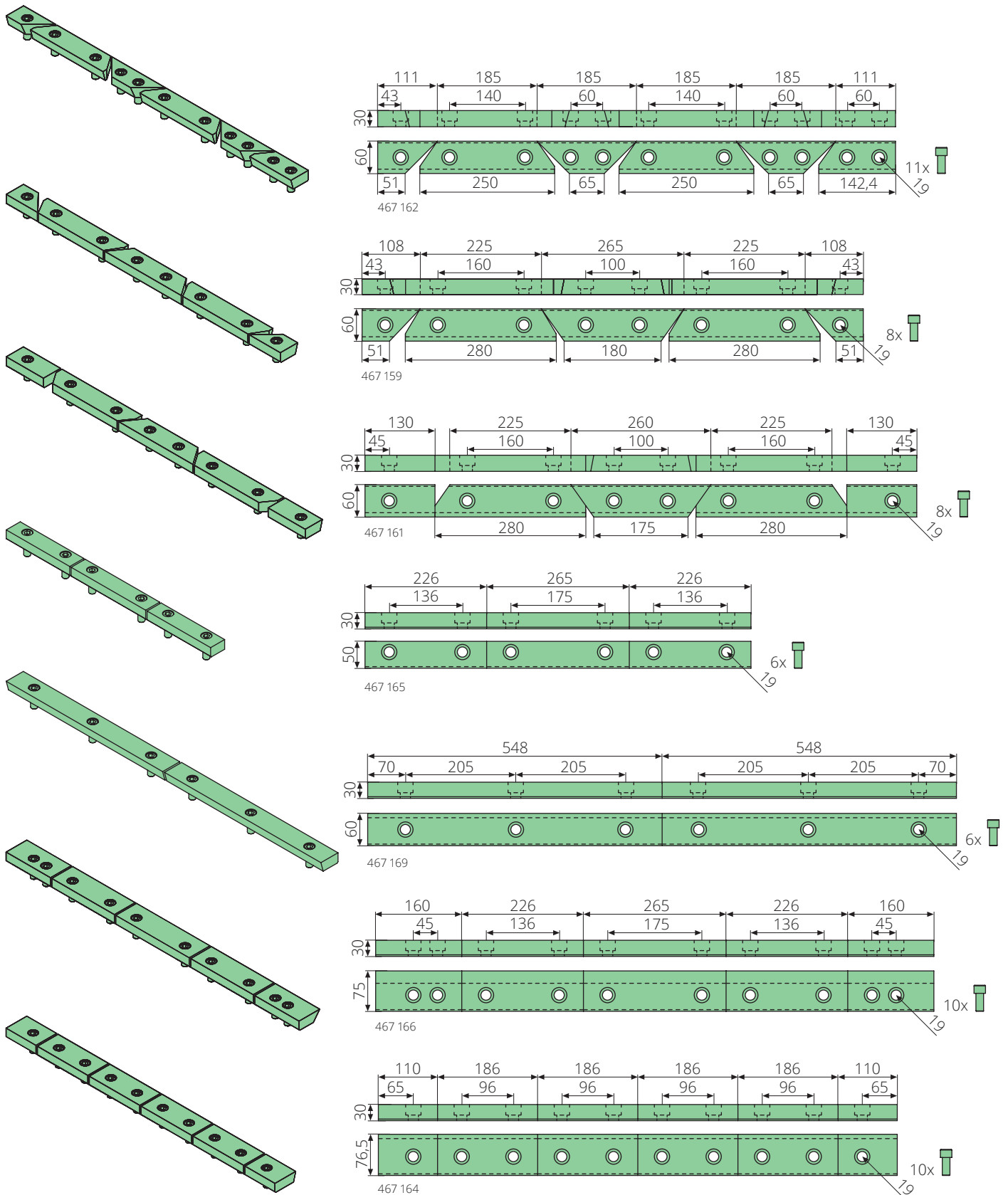
Article no.	Product	Description
467 277	Thrust ring	40,2-60-4,5mm, 9SMn28k
467 278	Thrust ring	55-80-2mm, 51CrV4
467 279	Thrust ring	65-85-2mm, 51CrV4
467 274	Thrust ring	65-85-3,5mm, 51CrV4
467 275	Thrust ring	66-95-2mm, 51CrV4
467 276	Thrust ring	56-95-2mm, 51CrV4

Sets of pressure plate blades



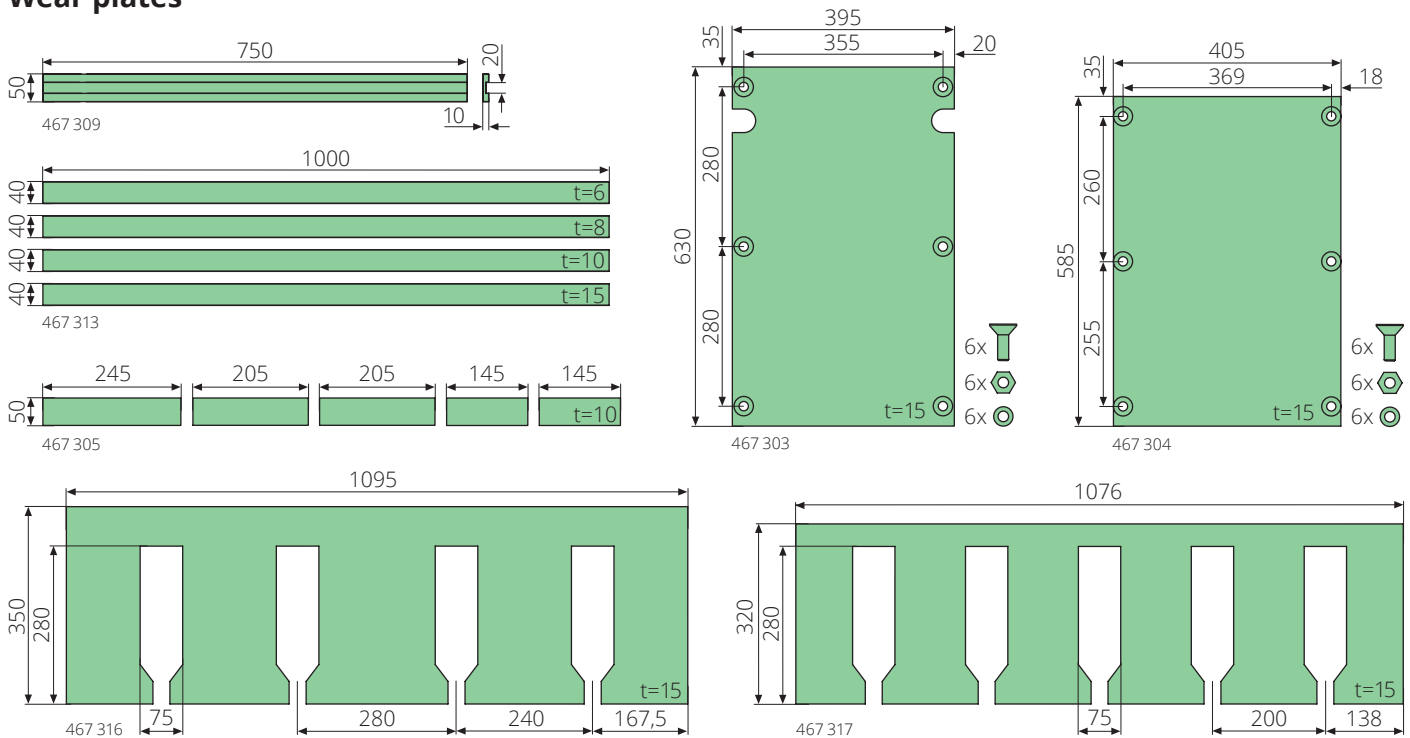
Article no.	Product	Description
467 153	Set of blades	15x60x688mm, X155CrVMo 12-1, hardened, 2 parts, with set of screws
467 152	Set of blades	15x60x990mm, X155CrVMo 12-1, hardened, 2 parts, with set of screws
467 157	Set of pressure plate blades	15x60x942mm, X155CrVMo 12-1, hardened, 5 parts, with set of screws
467 163	Set of pressure plate blades	20x60x977mm, X155CrVMo 12-1, hardened, 5 parts, with set of screws
467 158	Set of pressure plate blades	30x60x964mm, X155CrVMo 12-1, hardened, 6 parts, with set of screws
467 150	Set of pressure plate blades	30x60x977mm, X155CrVMo 12-1, hardened, 5 parts, with set of screws
467 160	Set of pressure plate blades	30x60x1024mm, X155CrVMo 12-1, hardened, 6 parts, with set of screws
467 168	Set of pressure plate blades	30x60x1037mm, X155CrVMo 12-1, hardened, 5 parts, with set of screws

Sets of pressure plate blades



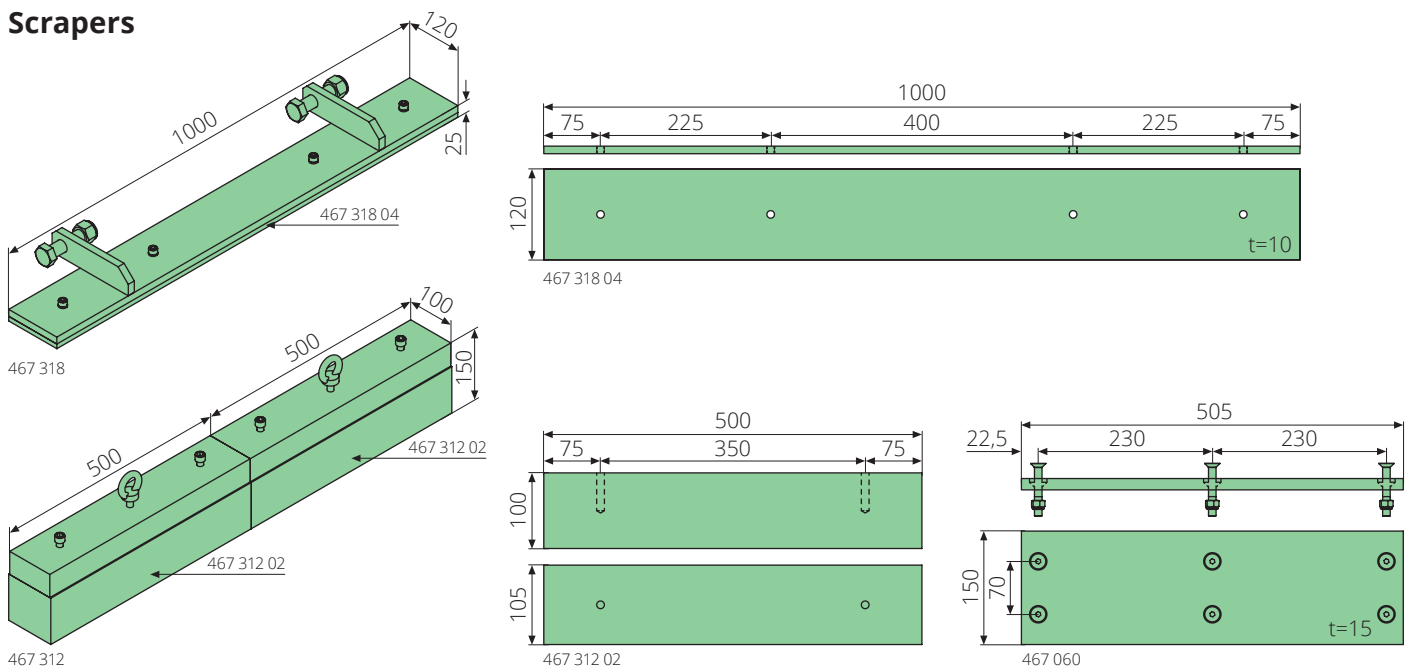
Article no.	Product	Description
467 162	Set of pressure plate blades	30x60x962mm, X155CrVMo 12-1, hardened, 6 parts, with set of screws
467 159	Set of pressure plate blades	30x60x931mm, X155CrVMo 12-1, hardened, 5 parts, with set of screws
467 161	Set of pressure plate blades	30x60x1045mm, X155CrVMo 12-1, hardened, 5 parts, with set of screws
467 165	Set of spacing plates	30x50x717mm, S235JR, 3 parts, with set of screws, for 467 161
467 169	Set of pressure plate blades	30x60x1096mm, X155CrVMo 12-1, hardened, 2 parts (left/right), with set of screws
467 166	Set of pressure plate blades	30x75x1037mm, X155CrVMo 12-1, hardened, 5 parts, with set of screws
467 164	Set of pressure plate blades	30x76,5x964mm, X155CrVMo 12-1, hardened, 6 parts, with set of screws

Wear plates



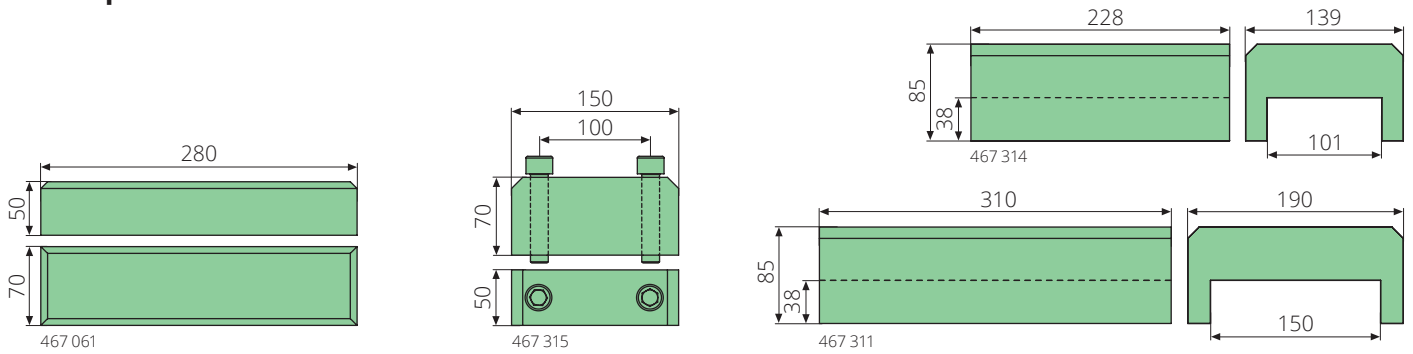
Article no.	Product	Description
467 309	Lateral wear strip	50x750x10mm, S235JR
467 313	Set of lower wear plates	40x1000x6/8/10/15mm, Hardox 450, 4 parts, for pressure plate
467 305	Set of lower wear plates	50x145/205/245x10mm, Hardox 450, 5 parts
467 303	Wear plate complete	395x630x15mm, Hardox 450, with screws & nuts
467 304	Wear plate complete	405x585x15mm, Hardox 450, with screws & nuts
467 316	Lower wear comb plate	1095x350x15mm, Hardox 450
467 317	Lower wear comb plate	1076x320x15mm, Hardox 450

Scrapers



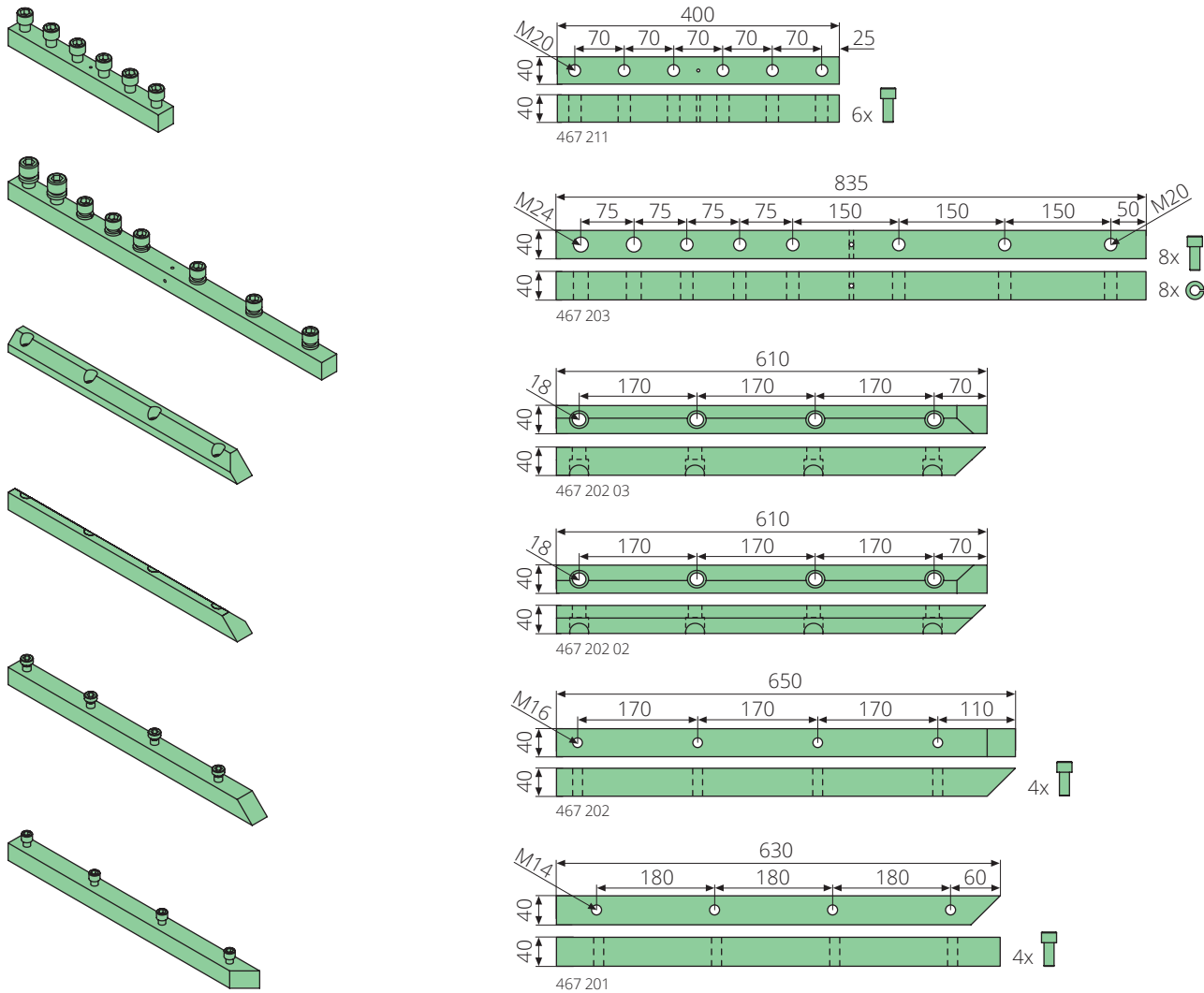
Article no.	Product	Description
467 318	Scraper complete	120x1000x25mm, welding latches & set of screws, in individual parts
467 318 04	Scraper	120x1000x10mm, PE, for 467 318
467 312	Scraper complete	105x1000x150mm, with eyebolts & screws
467 312 02	Scraper	105x500x100mm, PE, for 467 312
467 060	Scraper complete	505x15x150mm, PE, with screws & nuts

Guide profiles



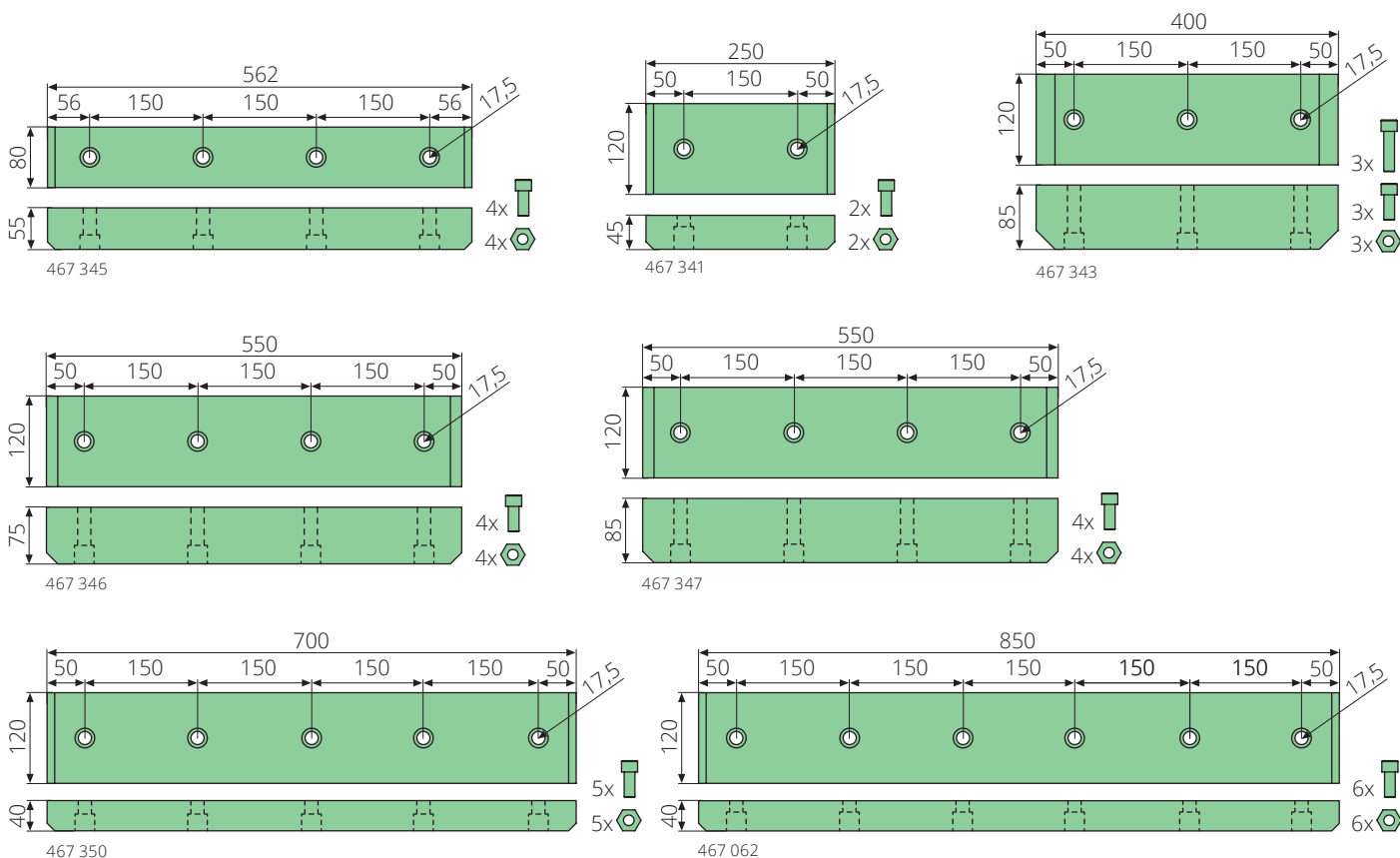
Article no.	Product	Description
467 061	Rear guide profile	50x70x280mm, PE
467 315	Lateral guide profile complete	70x50x150mm, PE, with screws
467 314	Guide profile	85x228x139mm, PE
467 311	Guide profile	85x310x190mm, PE

Guide bars

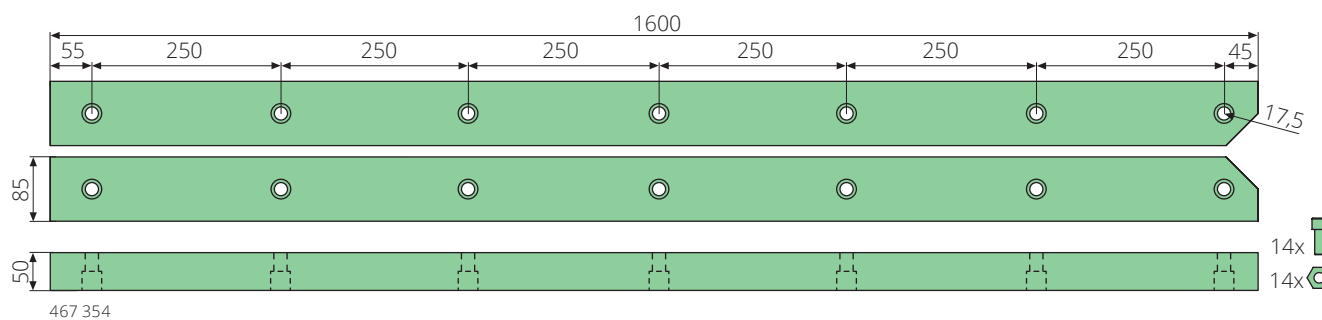
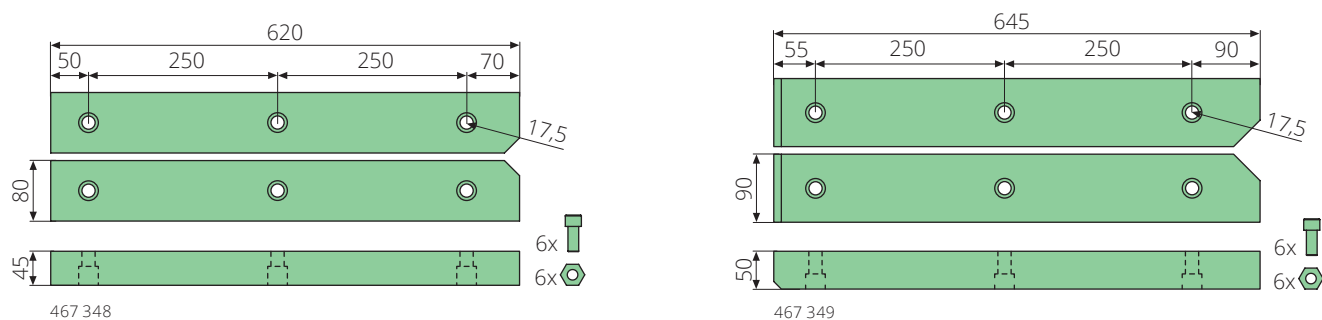


Article no.	Product	Description
467 211	Guide bar complete	400x40x40mm, MS58, bore M20, with screws
467 203	Guide bar complete	835x40x40mm, S235JR, bore 6xM20/2xM24, with screws & lock washers
467 202 03	Welding bracket	610x40x40mm, left, S235JR, Bores 18/25mm
467 202 02	Welding bracket	610x40x40mm, right, S235JR, Bores 18/25mm
467 202	Guide bar complete	650x40x40mm, MS58, bore M16, with screws, for 467 202 03 /-02
467 201	Guide bar complete	630x40x40mm, MS58, bore M14, with screws

Lateral guide profiles

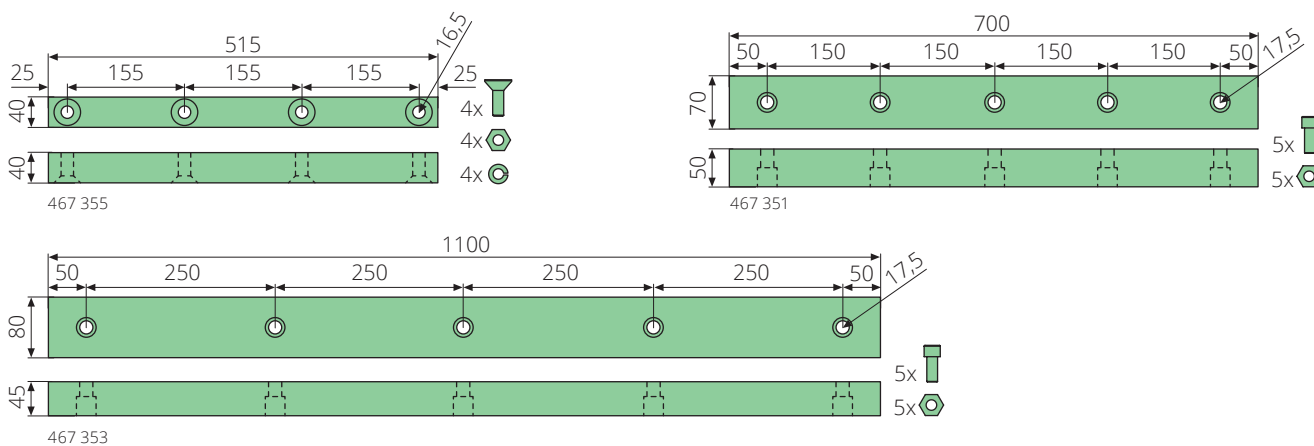


Article no.	Product	Description
467 345	Lateral guide profile complete	562x80x55mm, PE, with screws & nuts
467 341	Lateral guide profile complete	250x120x45mm, PE, with screws & nuts
467 343	Lateral guide profile complete	400x120x85mm, PE, with screws & nuts
467 346	Lateral guide profile complete	550x120x75mm, PE, with screws & nuts
467 347	Lateral guide profile complete	550x120x85mm, PE, with screws & nuts
467 350	Lateral guide profile complete	700x120x40mm, PE, with screws & nuts
467 062	Lateral guide profile complete	850x120x40mm, PE, with screws & nuts

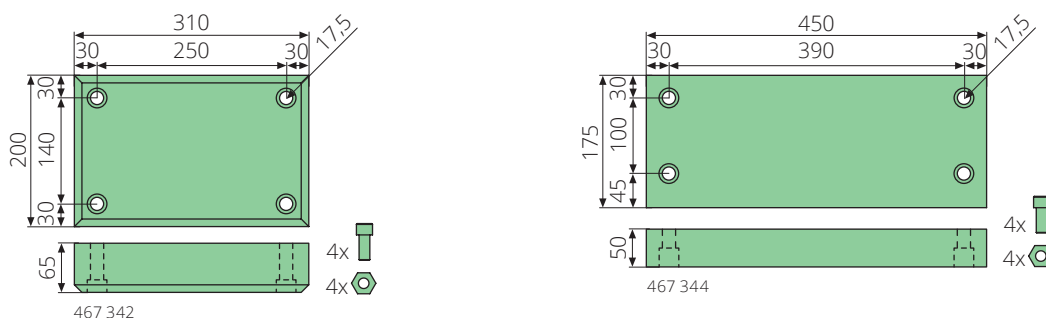


Article no.	Product	Description
467 348	Lateral guide profile complete	620x80x45mm, PE, 2 parts right/left, with screws & nuts
467 349	Lateral guide profile complete	645x90x50mm, PE, 2 parts right/left, with screws & nuts
467 354	Lateral guide profile complete	1600x85x50mm, PE, 2 parts right/left, with screws & nuts

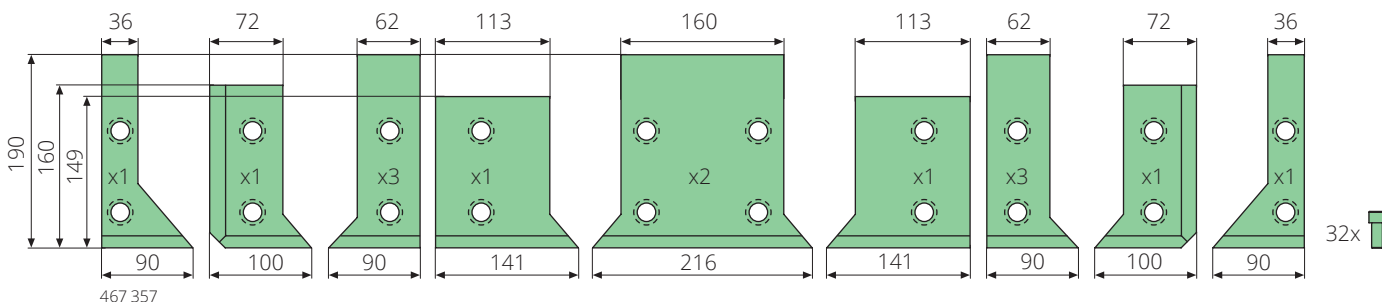
Lateral guide profiles



Article no.	Product	Description
467 355	Lateral guide profile complete	40x40x515mm, MS58, with screws, nuts & lock washers
467 351	Lateral guide profile complete	700x70x50mm, PE, with screws & nuts
467 353	Lateral guide profile complete	1100x80x45mm, PE, with screws & nuts

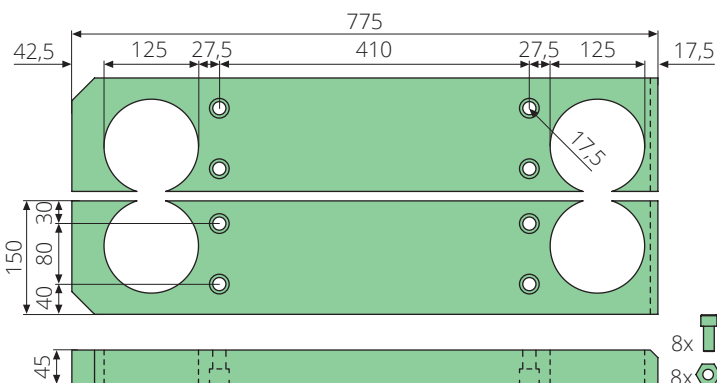
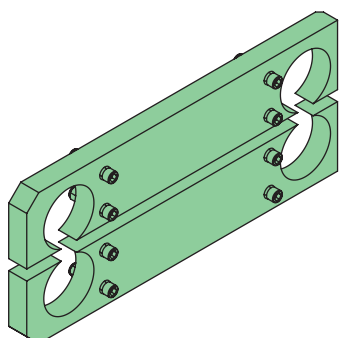


Article no.	Product	Description
467 342	Lateral guide profile complete	310x200x65mm, PE, with screws & nuts
467 344	Lateral guide profile complete	450x175x50mm, PE, with screws & nuts



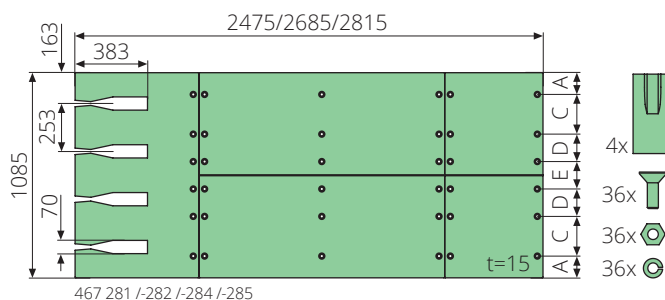
Article no.	Product	Description
467 357	Lateral guide profile complete	t=50mm, PE, 14 parts, with set of screws

Cover for track rollers



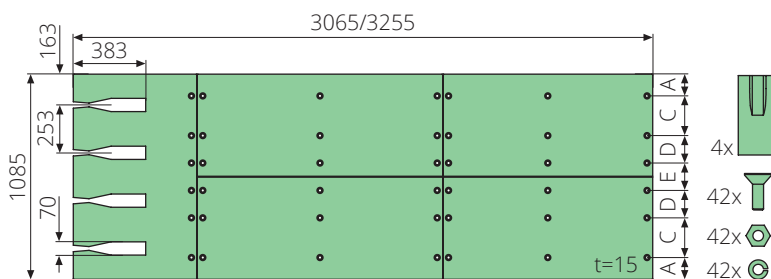
Article no.	Product	Description
467 356	Cover for track rollers comple	45x150x775mm, PE, 2 parts right/left, with screws & nuts

Sets of bottom wear plates for 4-fold lashing



467 281 /-282 /-284 /-285

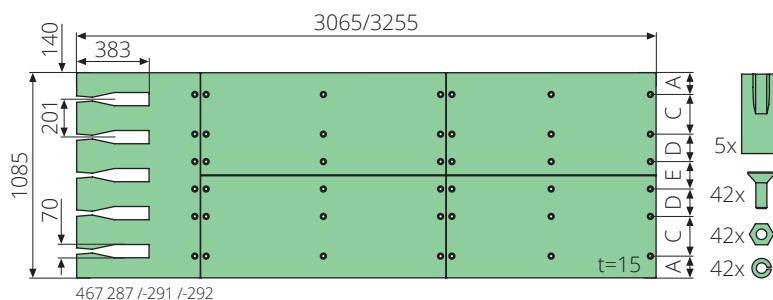
Article no.	Product	Dimensions	A	C	D	E
467 281	Set of bottom wear plates for 4-fold lashing	2475x1085x15mm, HARDOX 450	90mm	230mm	180mm	85mm
467 282	Set of bottom wear plates for 4-fold lashing	2685x1085x15mm, HARDOX 450	90mm	230mm	180mm	85mm
467 284	Set of bottom wear plates for 4-fold lashing	2815x1085x15mm, HARDOX 450	105mm	220mm	165mm	105mm
467 285	Set of bottom wear plates for 4-fold lashing	2815x1085x15mm, HARDOX 450	90mm	230mm	180mm	85mm
467 281 04	Groove plate	120x60x15mm, HARDOX 450				



467 286 /-288 /-290 /-293

Article no.	Product	Dimensions	A	C	D	E
467 286	Set of bottom wear plates for 4-fold lashing	3065x1085x15mm, HARDOX 450	105mm	220mm	165mm	105mm
467 288	Set of bottom wear plates for 4-fold lashing	3065x1085x15mm, HARDOX 450	90mm	230mm	180mm	85mm
467 290	Set of bottom wear plates for 4-fold lashing	3255x1085x15mm, HARDOX 450	105mm	220mm	165mm	105mm
467 293	Set of bottom wear plates for 4-fold lashing	3255x1085x15mm, HARDOX 450	90mm	230mm	180mm	85mm
467 281 04	Groove plate	120x60x15mm, HARDOX 450				

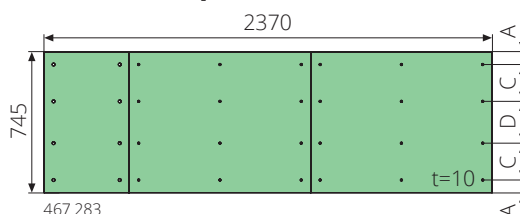
Sets of bottom wear plates for 5-fold lashing



467 287 /-291 /-292

Article no.	Product	Dimensions	A	C	D	E
467 287	Set of bottom wear plates for 5-fold lashing	3065x1085x15mm, HARDOX 450	90mm	190mm	190mm	145mm
467 291	Set of bottom wear plates for 5-fold lashing	3255x1085x15mm, HARDOX 450	105mm	220mm	190mm	55mm
467 292	Set of bottom wear plates for 5-fold lashing	3255x1085x15mm, HARDOX 450	90mm	190mm	190mm	145mm
467 281 04	Groove plate	120x60x15mm, HARDOX 450				

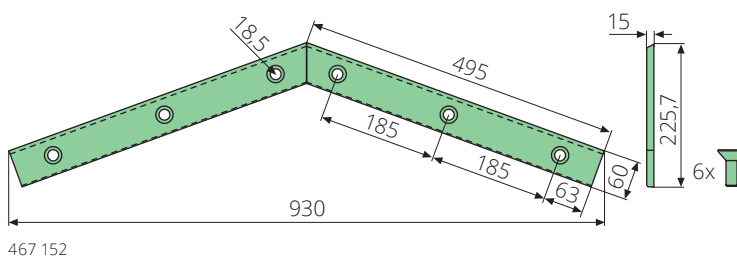
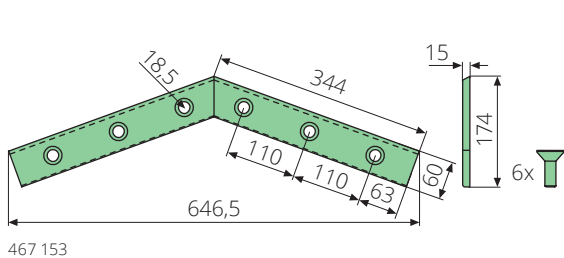
Sets of bottom wear plates without comb plate



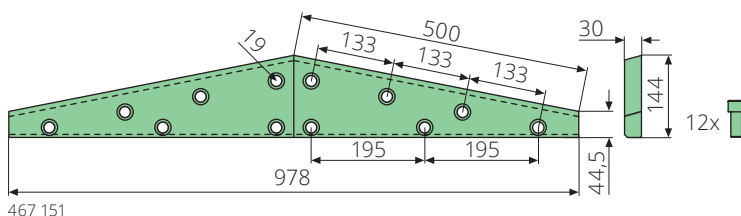
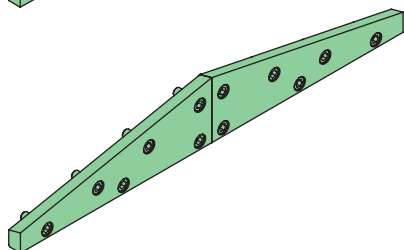
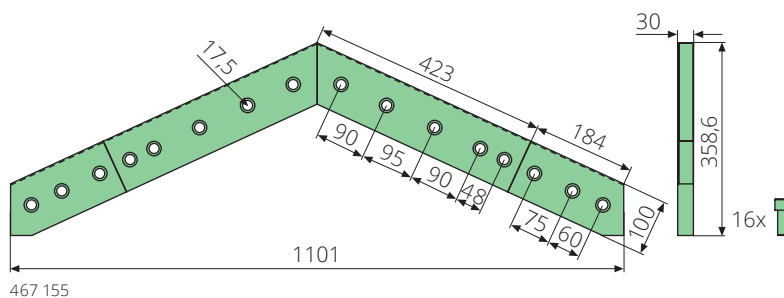
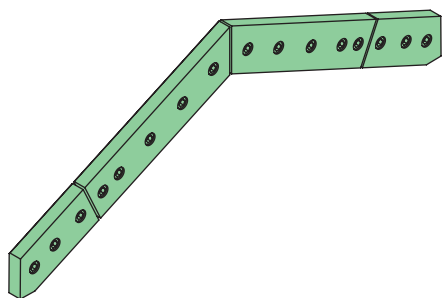
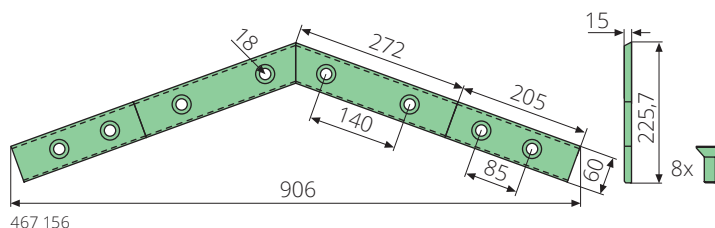
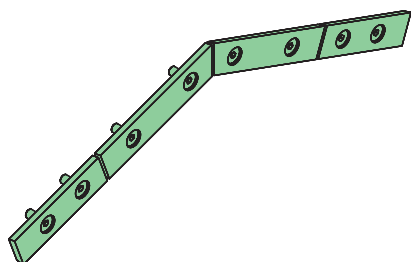
467 283

Article no.	Product	Dimensions	A	C	D
467 283	Set of bottom wear plates	2370x745x10mm, HARDOX 450	67mm	195mm	221mm

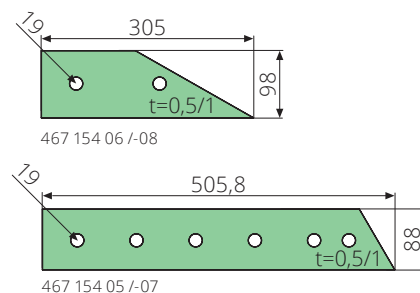
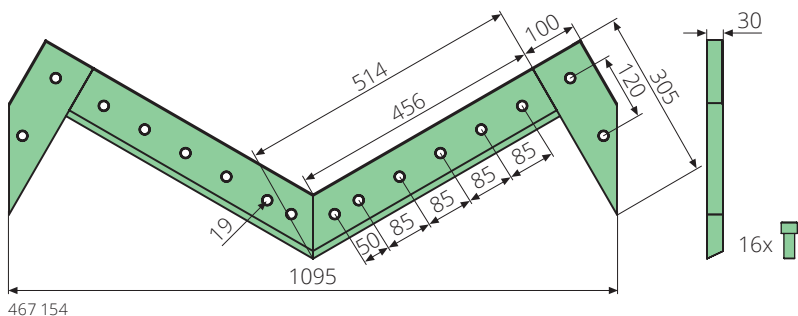
Sets of counter blades



Article no.	Product	Description
467 153	Set of blades	15x60x688mm, X155CrVMo 12-1, hardened, 2 parts, with set of screws
467 152	Set of blades	15x60x990mm, X155CrVMo 12-1, hardened, 2 parts, with set of screws



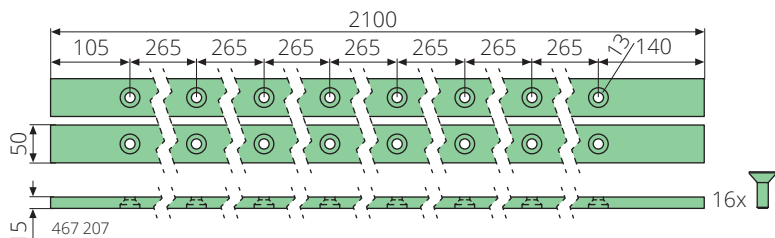
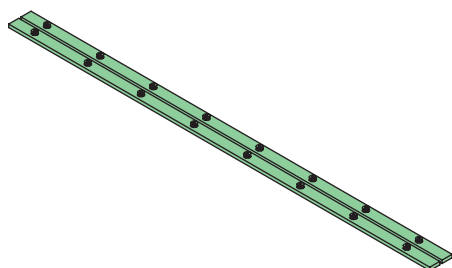
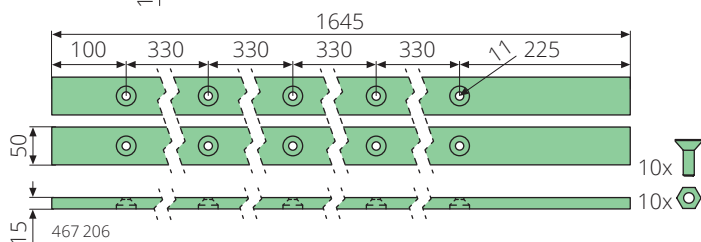
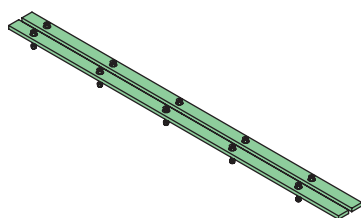
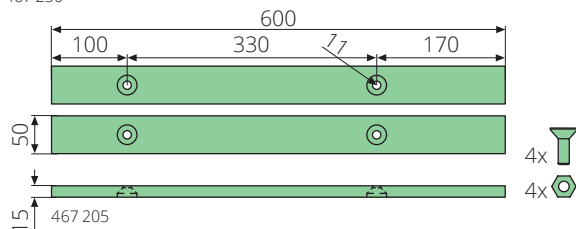
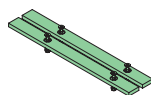
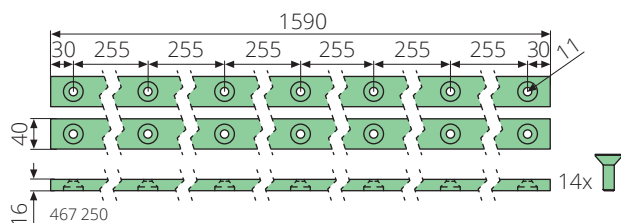
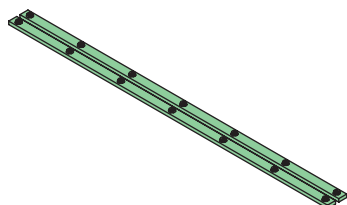
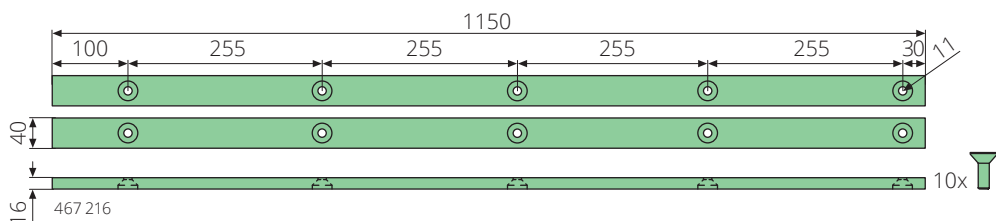
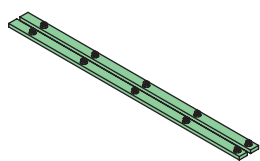
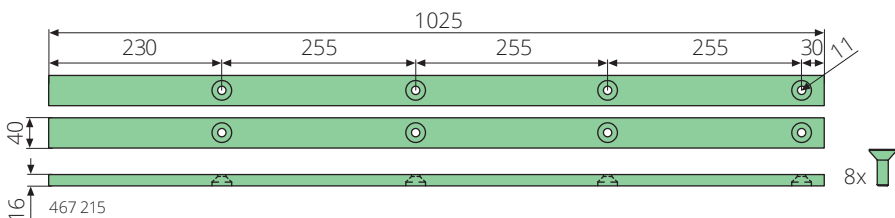
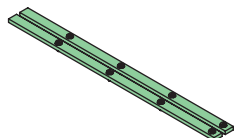
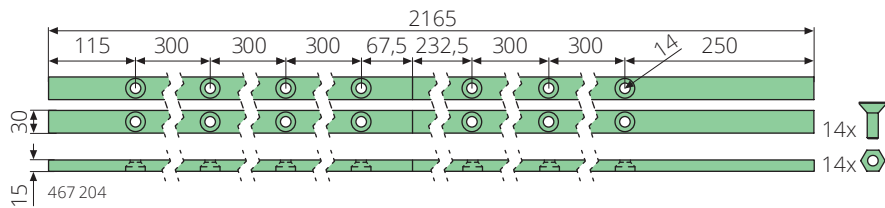
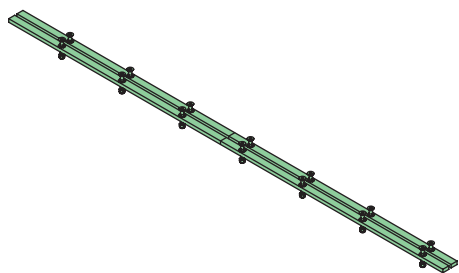
Article no.	Product	Description
467 156	Set of counter blades	15x906x126,5mm, X155CrVMo 12-1, 4 parts, with set of screws
467 155	Set of counter blades	30x1101x358,6mm, X155CrVMo 12-1, 4 parts, with set of screws
467 151	Set of counter blades	30x978x144mm, X155CrVMo 12-1, 2 parts, with set of screws



Article no.	Product	Description
467 154	Set of counter blades	30x1095x393,6mm, X155CrVMo 12-1, 4 parts, with set of screws
467 154 06	Shim	0,5x305x98mm, S355J2
467 154 05	Shim	0,5x505,8x88, S355J2
467 154 08	Shim	1x305x98mm, S355J2
467 154 07	Shim	1x505,8x88mm, S355J2

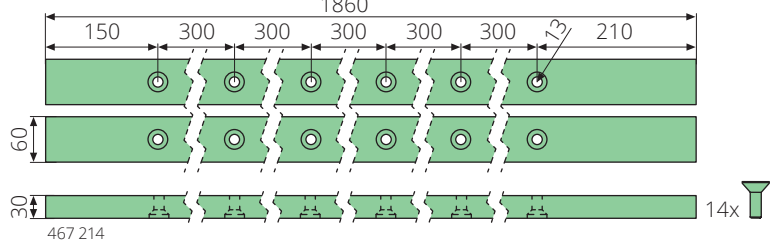
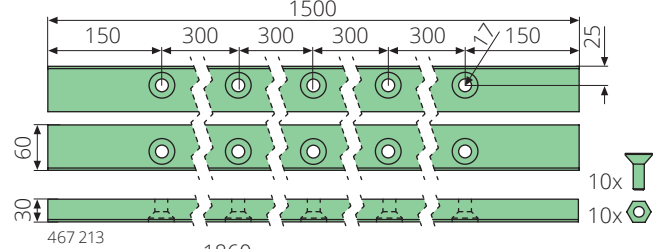
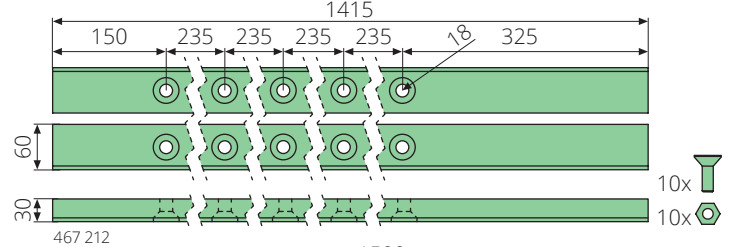
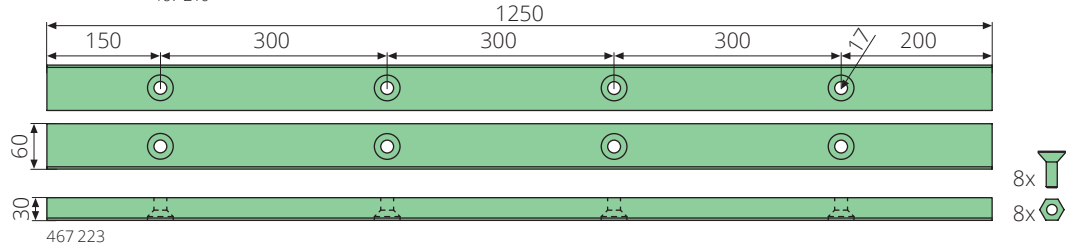
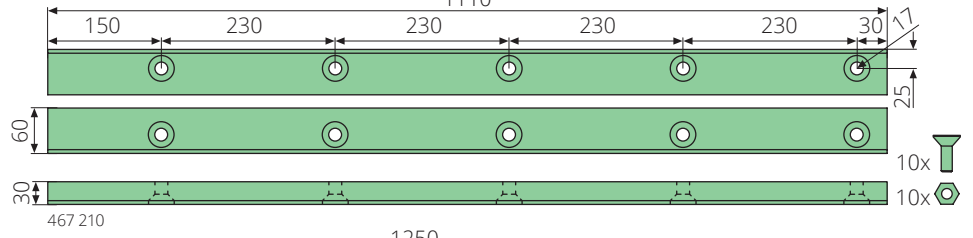
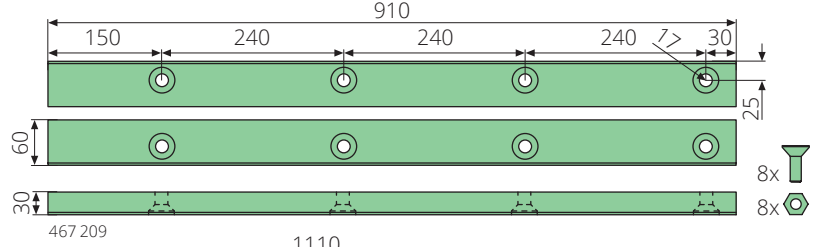
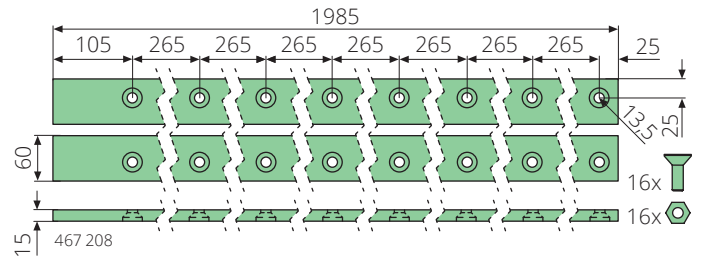
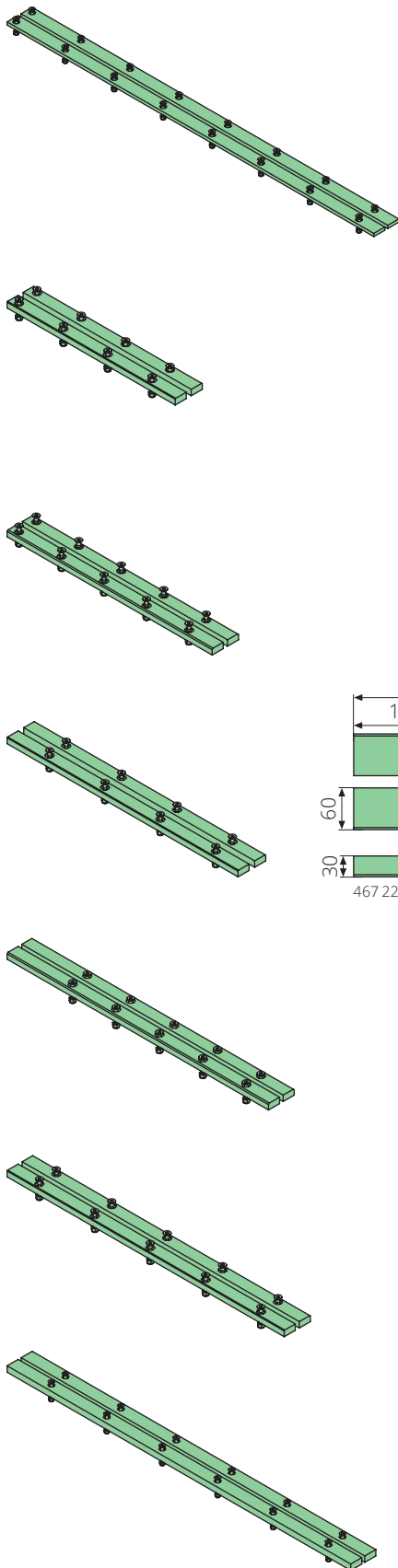
Sets of bottom wear plates / Sets of counter blades Type PAAL

Sets of guide rails



Article no.	Product	Description
467 204	Set of guide rails	30x15x2165mm, 42CrMo4, 4 parts (divided), with screws & nuts
467 215	Set of guide rails	40x15x1025mm, 42CrMo4, 2 parts, with screws
467 216	Set of guide rails	40x15x1150mm, 42CrMo4, 2 parts, with screws
467 250	Set of guide rails	40x15x1590mm, 42CrMo4, 2 parts, with screws
467 205	Set of guide rails	50x15x600mm, 42CrMo4, 2 parts, with screws & nuts
467 206	Set of guide rails	50x15x1645mm, 42CrMo4, 2 parts, with screws & nuts
467 207	Set of guide rails	50x15x2100mm, 42CrMo4, 2 parts, with screws

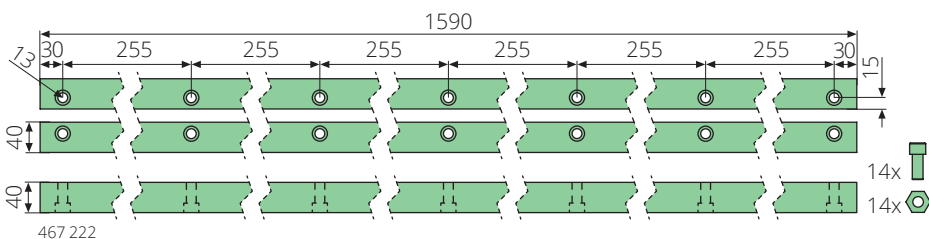
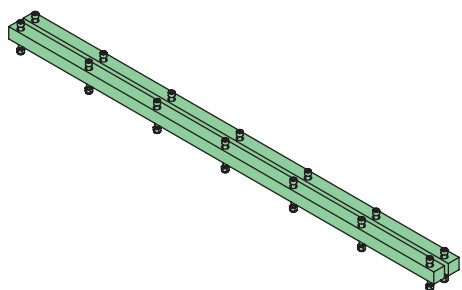
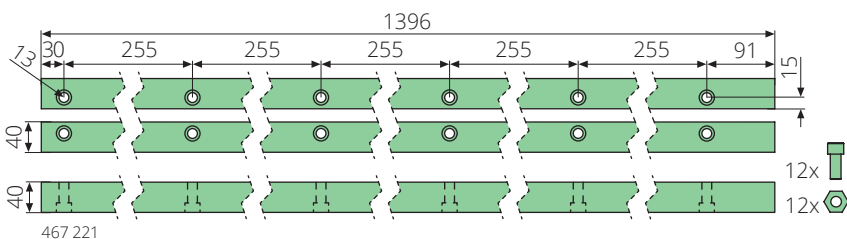
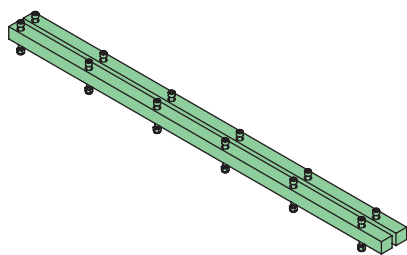
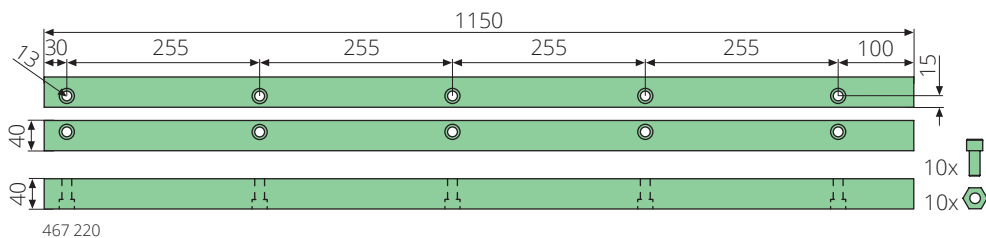
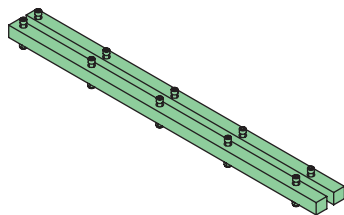
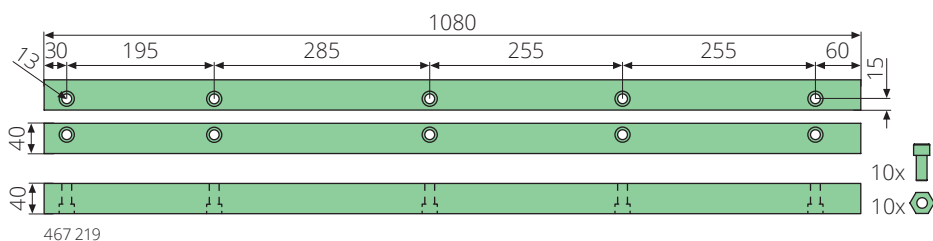
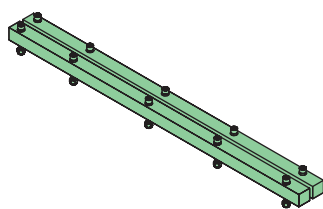
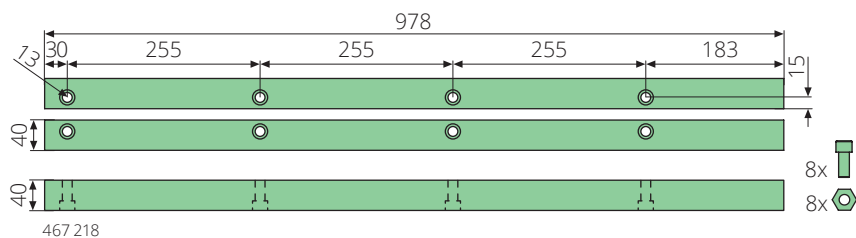
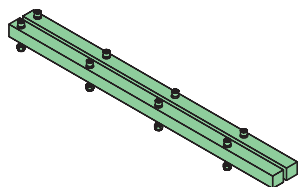
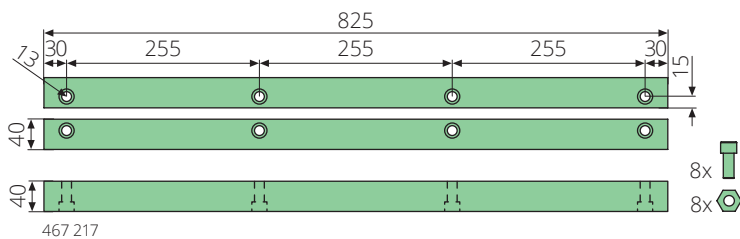
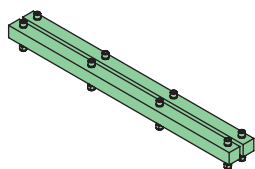
Sets of guide rails



Article no.	Product	Description
467 208	Set of guide rails	60x15x1985mm, 42CrMo4, 2 parts (left/right), with screws & nuts
467 209	Set of guide rails	60x30x910mm, 42CrMo4, 2 parts (left/right), with screws & nuts
467 210	Set of guide rails	60x30x1110mm, 42CrMo4, 2 parts (left/right), with screws & nuts
467 223	Set of guide rails	60x30x1250mm, 42CrMo4, 2 parts (left/right), with screws & nuts
467 212	Set of guide rails	60x30x1415mm, 42CrMo4, 2 parts (left/right), with screws & nuts
467 213	Set of guide rails	60x30x1500mm, 42CrMo4, 2 parts, with screws & nuts
467 214	Set of guide rails	60x30x1860mm, 42CrMo4, 2 parts, with screws & nuts

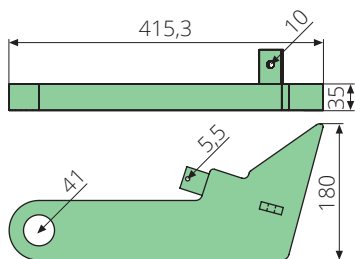
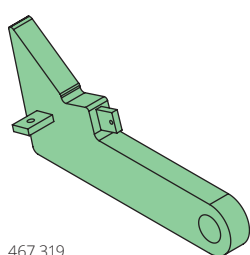
Sets of guide rails Type PAAL

Sets of guide rails

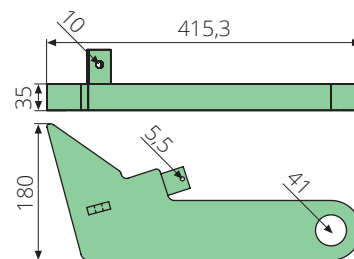
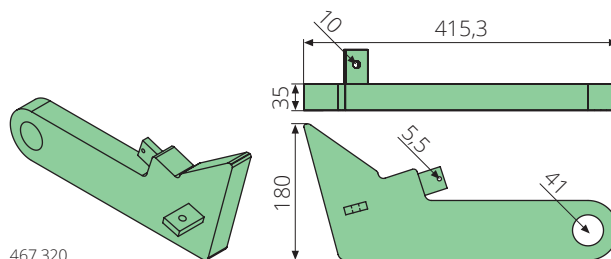


Article no.	Product	Description
467 217	Set of guide rails	40x40x825mm, 42CrMo4, 2 parts, with screws & nuts
467 218	Set of guide rails	40x40x978mm, 42CrMo4, 2 parts (left/right), with screws & nuts
467 219	Set of guide rails	40x40x1080mm, 42CrMo4, 2 parts (left/right), with screws & nuts
467 220	Set of guide rails	40x40x1150mm, 42CrMo4, 2 parts (left/right), with screws & nuts
467 221	Set of guide rails	40x40x1396mm, 42CrMo4, 2 parts (left/right), with screws & nuts
467 222	Set of guide rails	40x40x1590mm, 42CrMo4, 2 parts, with screws & nuts

Material retainers



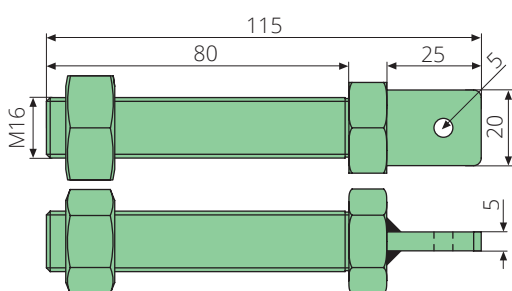
467 319



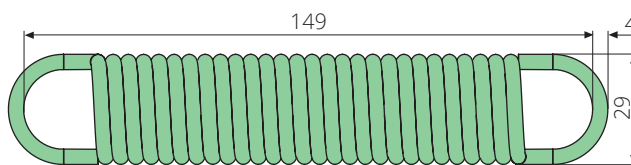
467 320

Article no.	Product	Description
467 319	Material retainer	180x415,3x35mm, left, S355J2
467 320	Material retainer	180x415,3x35mm, right, S355J2

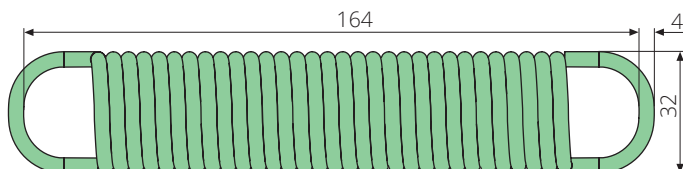
Tension screw & Tension springs



467 321



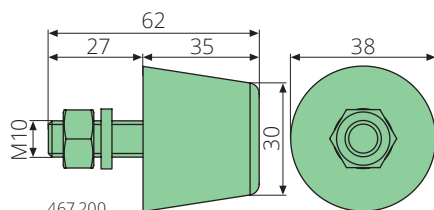
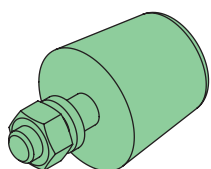
467 322



467 322 1

Article no.	Product	Description
467 321	Tension screw	M16x80mm, with nut M16
467 322	Tension spring	149x29mm, wire D=4mm
467 322 1	Tension spring	164x32mm, wire D=4mm

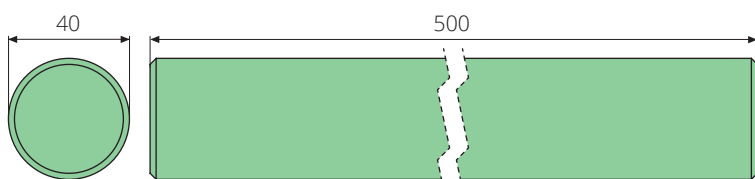
Rubber bumper



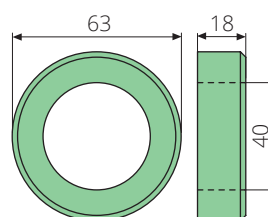
467 200

Article no.	Product	Description
467 200	Rubber bumper complete	62x38mm, rubber, with nut & spring washer

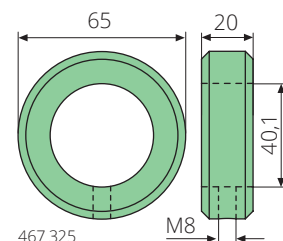
Bolt for side wall



467 323



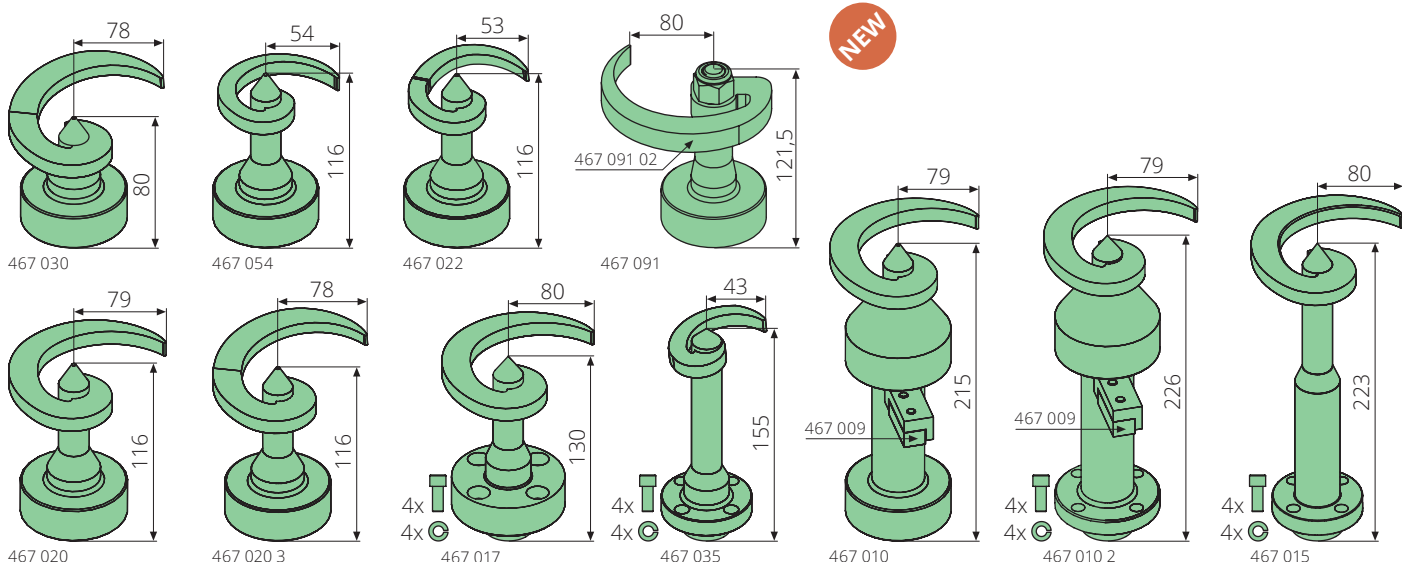
467 324



467 325

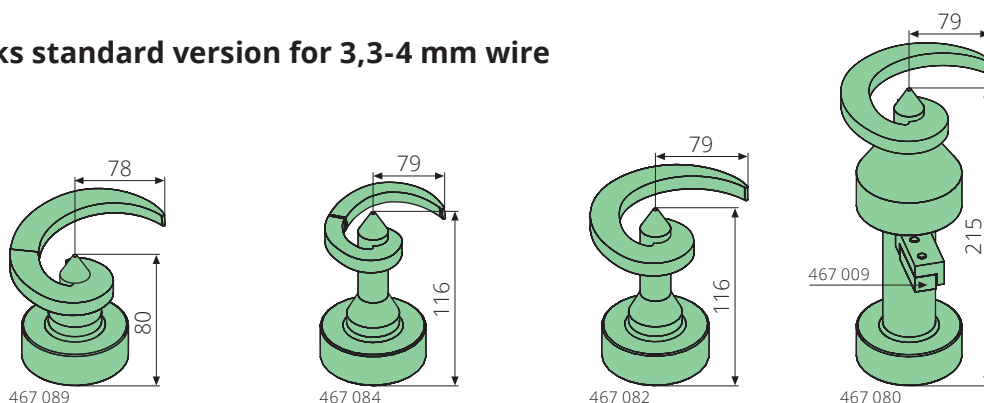
Article no.	Product	Description
467 323	Bolt for side wall	40x500mm, C45k
467 324	Collar	40-63-18mm, S355J2
467 325	Collar	40,1-65-20mm, S355J2, with bore M8

Twisting hooks standard version for 2,2-3,2 mm wire



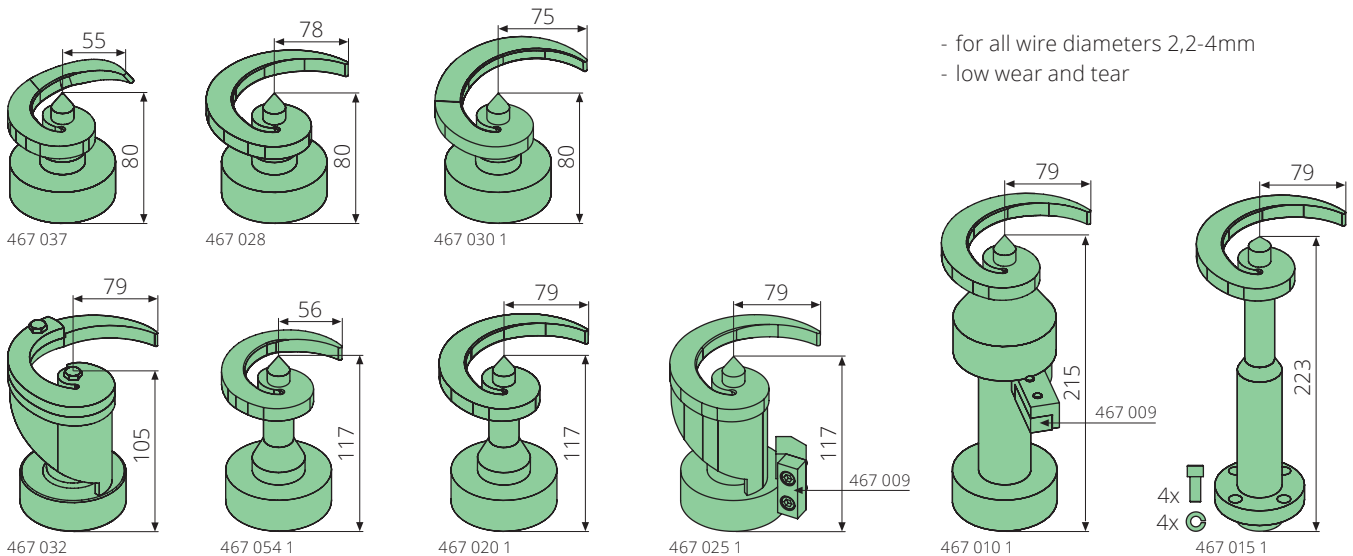
Article no.	Product	Description
467 030	Twisting hook	H=80mm, left, cranked, primed
467 031	Twisting hook	H=80mm, right, cranked, primed
467 054	Twisting hook	H=116mm, left, ksmall hook, primed
467 055	Twisting hook	H=116mm, right, small hook, primed
467 022	Twisting hook	H=116mm, left, cranked, small hook, primed
467 023	Twisting hook	H=116mm, right, cranked, small hook, primed
467 091	Twisting hook	H=122mm, left, hook HARDOX 500, convertible to right, primed
467 020	Twisting hook	H=116mm, left, primed
467 021	Twisting hook	H=116mm, right, primed
467 020 3	Twisting hook	H=116mm, left, cranked, primed
467 021 3	Twisting hook	H=116mm, right, cranked, primed
467 017	Twisting hook	H=130mm, left, with screws & lock washers, primed
467 018	Twisting hook	H=130mm, right, with screws & lock washers, primed
467 035	Twisting hook	H=155mm, left, with screws & lock washers, primed
467 036	Twisting hook	H=155mm, right, with screws & lock washers, primed
467 010	Twisting hook	H=215mm, left, with wire cutting blade 467 009, primed
467 011	Twisting hook	H=215mm, right, with wire cutting blade 467 009, primed
467 010 2	Twisting hook	H=226mm, left, with wire cutting blade 467 009, screws & lock washers, primed
467 011 2	Twisting hook	H=226mm, right, with wire cutting blade 467 009, screws & lock washers, primed
467 015	Twisting hook	H=223mm, left, with screws & lock washers, primed
467 016	Twisting hook	H=223mm, right, with screws & lock washers, primed

Twisting hooks standard version for 3,3-4 mm wire



Article no.	Product	Description
467 089	Twisting hook	H=80mm, left, primed
467 090	Twisting hook	H=80mm, right, primed
467 084	Twisting hook	H=116mm, left, cranked, primed
467 085	Twisting hook	H=116mm, right, cranked, primed
467 082	Twisting hook	H=116mm, left, primed
467 083	Twisting hook	H=116mm, right, primed
467 080	Twisting hook	H=215mm, left, with wire cutting blade 467 009, primed
467 081	Twisting hook	H=215mm, right, with wire cutting blade 467 009, primed

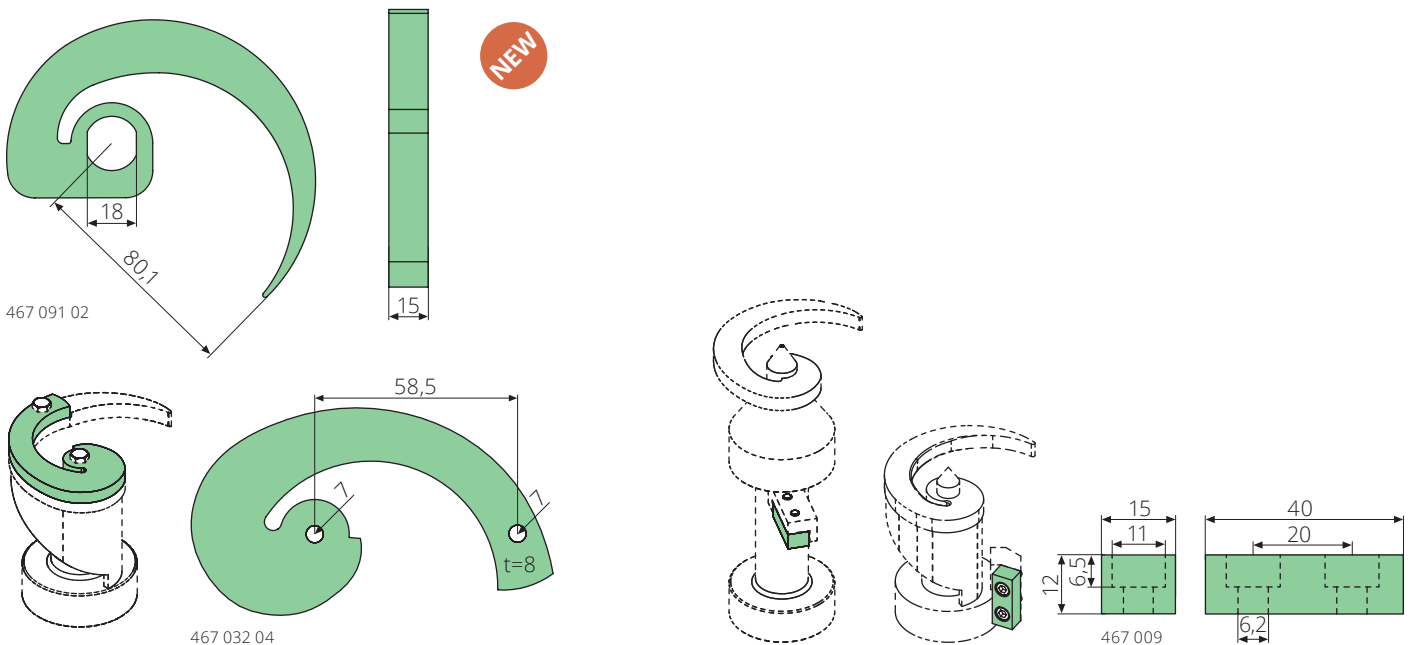
Twisting hooks new version for 2,2-4 mm wire



- for all wire diameters 2,2-4mm
- low wear and tear

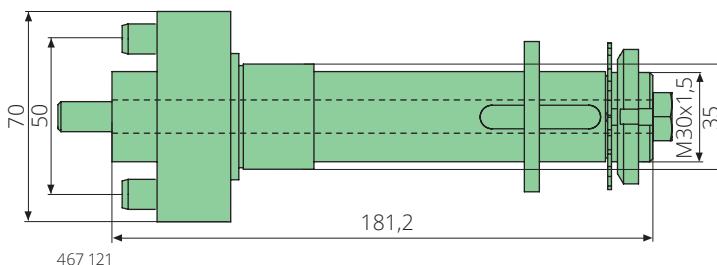
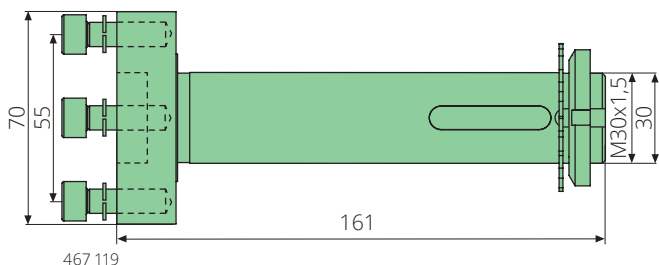
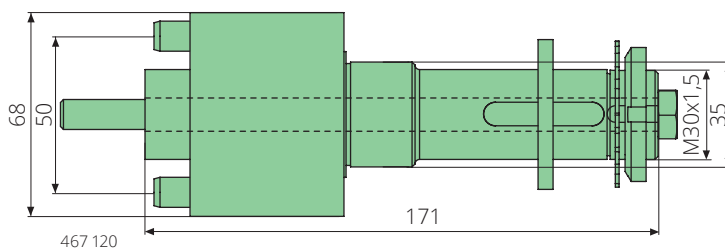
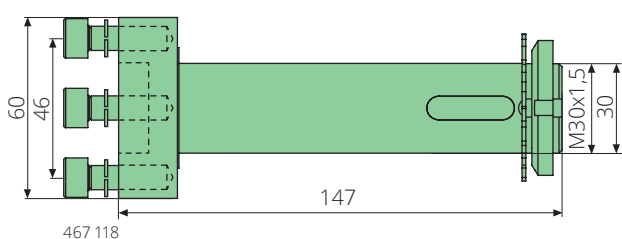
Article no.	Product	Description
467 037	Twisting hook	H=80mm, left, cranked, small hook, primed
467 038	Twisting hook	H=80mm, right, cranked, small hook, primed
467 028	Twisting hook	H=80mm, left, primed
467 029	Twisting hook	H=80mm, right, primed
467 030 1	Twisting hook	H=80mm, left, cranked, primed
467 031 1	Twisting hook	H=80mm, right, cranked, primed
467 032	Twisting hook	H=105mm, left, with exchangeable wear plate, primed
467 054 1	Twisting hook	H=117mm, left, small hook, galvanized
467 055 1	Twisting hook	H=117mm, right, small hook, galvanized
467 020 1	Twisting hook	H=117mm, left, primed
467 021 1	Twisting hook	H=117mm, right, primed
467 025 1	Twisting hook	H=117mm, left, with wire cutting blade 467 009, primed
467 026 1	Twisting hook	H=117mm, right, with wire cutting blade 467 009, primed
467 010 1	Twisting hook	H=215mm, left, with wire cutting blade 467 009, galvanized
467 011 1	Twisting hook	H=215mm, right, with wire cutting blade 467 009, galvanized
467 015 1	Twisting hook	H=223mm, left, with screws & lock washers, primed
467 016 1	Twisting hook	H=223mm, right, with screws & lock washers, primed

Accessories for twisting hooks



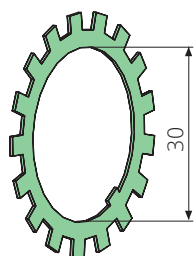
Article no.	Product	Description
467 091 02	Hook	left/right, HARDOX 500, primed
467 032 04	Wear plate	exchangeable
467 009	Wire cutting blade	40x12x15mm, X45NiCrMo4, hardened

Shafts for twisting hooks

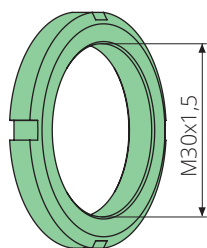


Article no.	Product	Description
467 118	Shaft for twisting hook complete	30/60x147mm, 42CrMo4, with lock nut, lock washer, parallel key & screws
467 119	Shaft for twisting hook complete	30/70x161mm, 42CrMo4, with lock nut, lock washer, parallel key & screws
467 120	Shaft for twisting hook complete	35/68x171mm, 42CrMo4, with lock nut, lock washer, parallel key, pins & screw
467 121	Shaft for twisting hook complete	35/70x181,2mm, 42CrMo4, with lock nut, lock washer, parallel key, pins & screw

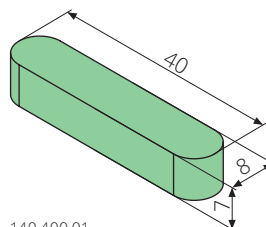
Article no.	Product	Description
160 310 01	Needle axial ball bearing	30-48,2-30mm, DIN 5429, NKX-30-Z
160 100 07	Ball bearing	30-55-13mm, DIN 625, 6006-2RS
160 100 05	Ball bearing	30-62-16mm, DIN 625, 6206-2RS
160 100 03	Ball bearing	35-62-14mm, DIN 625, 6007-2RS



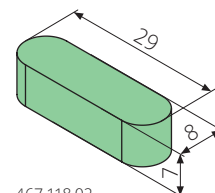
150 500 01



120 910 03



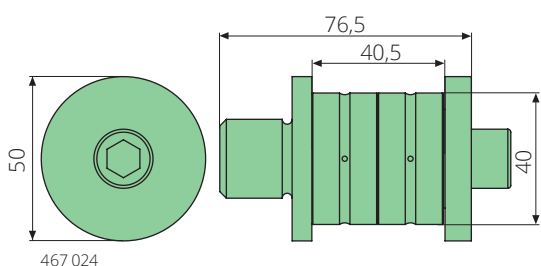
140 400 01



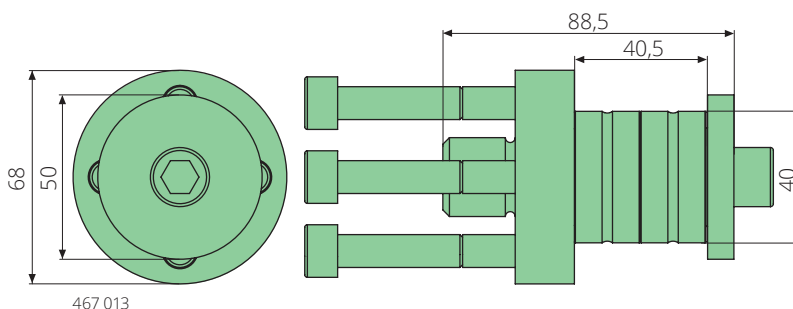
467 118 02

Article no.	Product	Description
150 500 01	Lock washer	d=30mm, t=1,25mm, MB06, DIN 5406
120 910 03	Lock nut	M30x1,5mm, KM06, DIN 981
140 400 01	Parallel key	8x7x40mm, DIN 6885
467 118 02	Parallel key	8x7x29mm

Link bolts



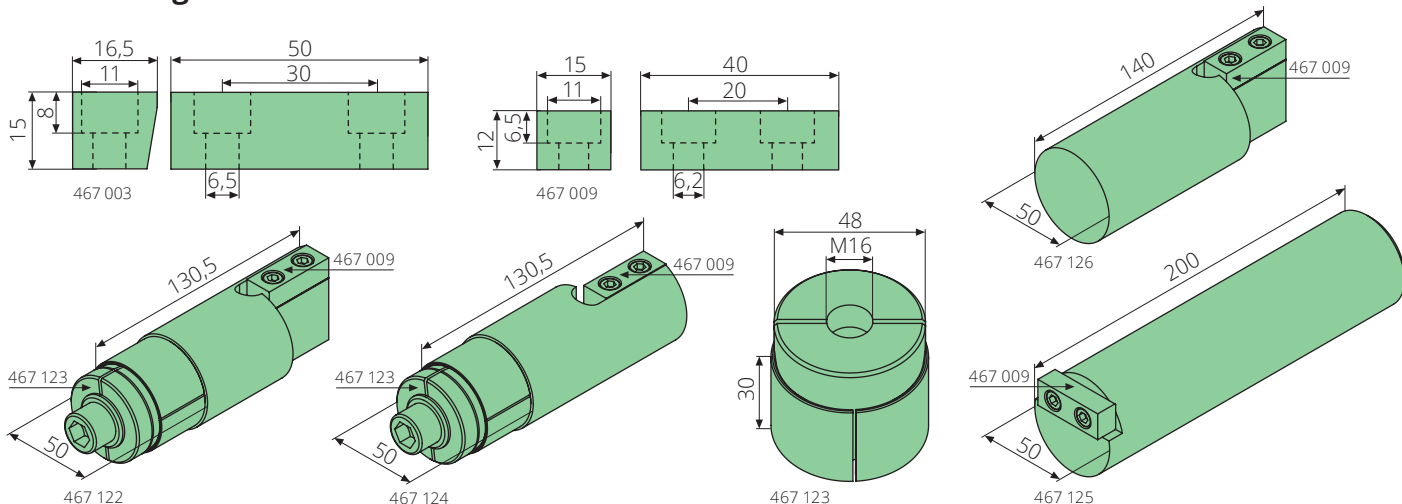
467 024



467 013

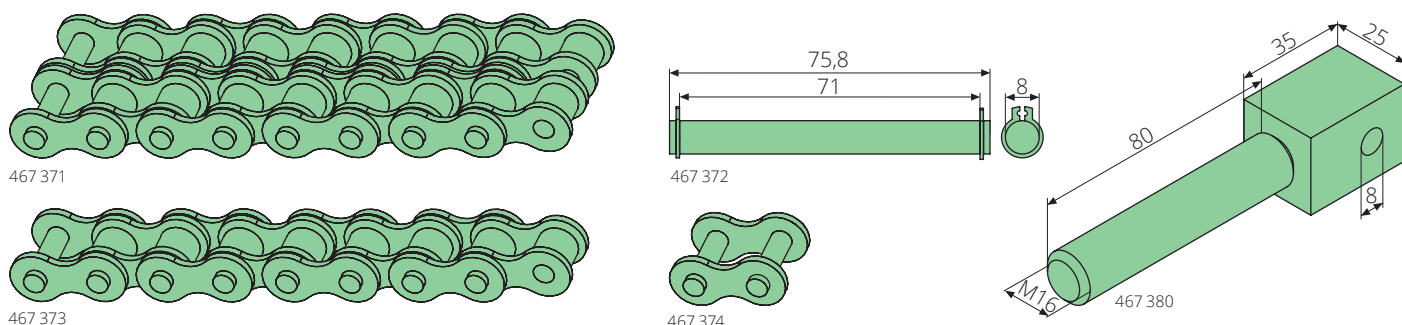
Article no.	Product	Description
467 024	Link bolt	40x76,5mm, with bearings, screws & washer
467 013	Link bolt complete	40x88,5mm, with bearings, screws & washer

Wire cutting blades / Mounts for blades

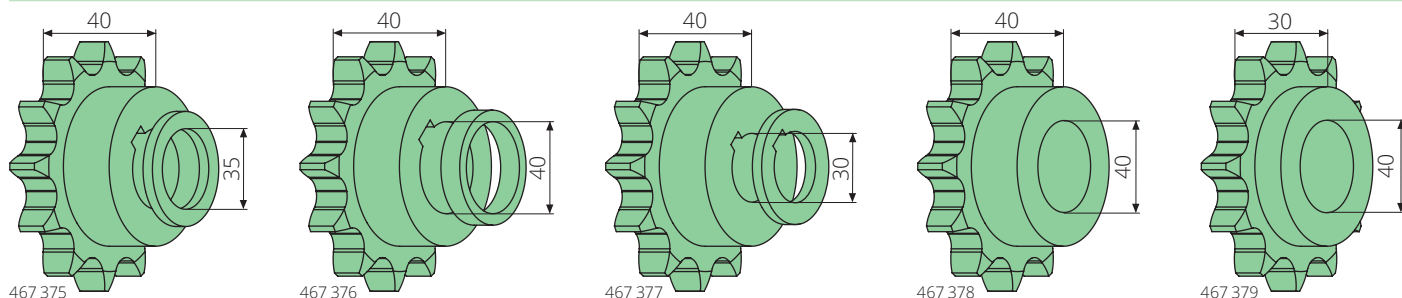


Article no.	Product	Description
467 003	Wire cutting blade	50x15x16,5mm, X45NiCrMo4, hardened
467 009	Wire cutting blade	40x12x15mm, X45NiCrMo4, hardened
467 122	Mount for blade complete	50x130,5mm, left, S355J2, clamp bushing & screws
467 124	Mount for blade complete	50x130,5mm, right, S355J2, clamp bushing & screws
467 123	Clamp bushing	38-48-30mm, type BIKON 1016
467 126	Mount for blade complete	50x140mm, S355J2, for welding
467 125	Mount for blade complete	50x200mm, S355J2, for welding

Chains / Sprockets

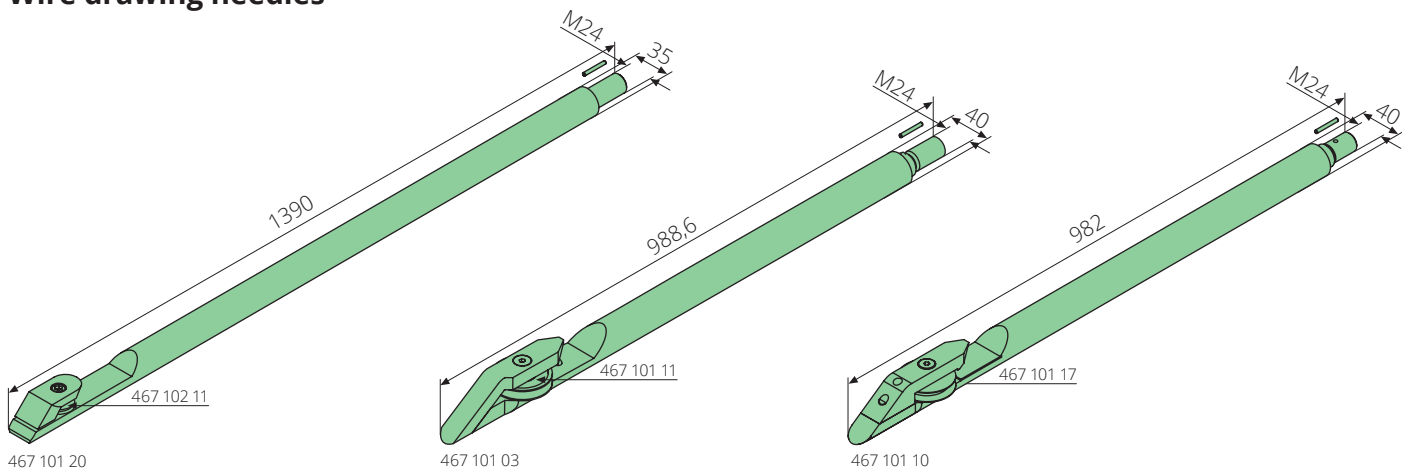


Article no.	Product	Description
467 371	Duplex chain	1x17mm, EC16-D-16B-2
467 373	Chain	1x17mm, EC16-M-16B-1
Article no.	Product	Description
467 372	Lock pin for chain	8x75,8mm, with circlips d=8mm, for duplex chain 467 371
467 374	Chain lock	1, EC16-M-16B-1, with retainer
467 380	Chain tensioner	M16x80mm



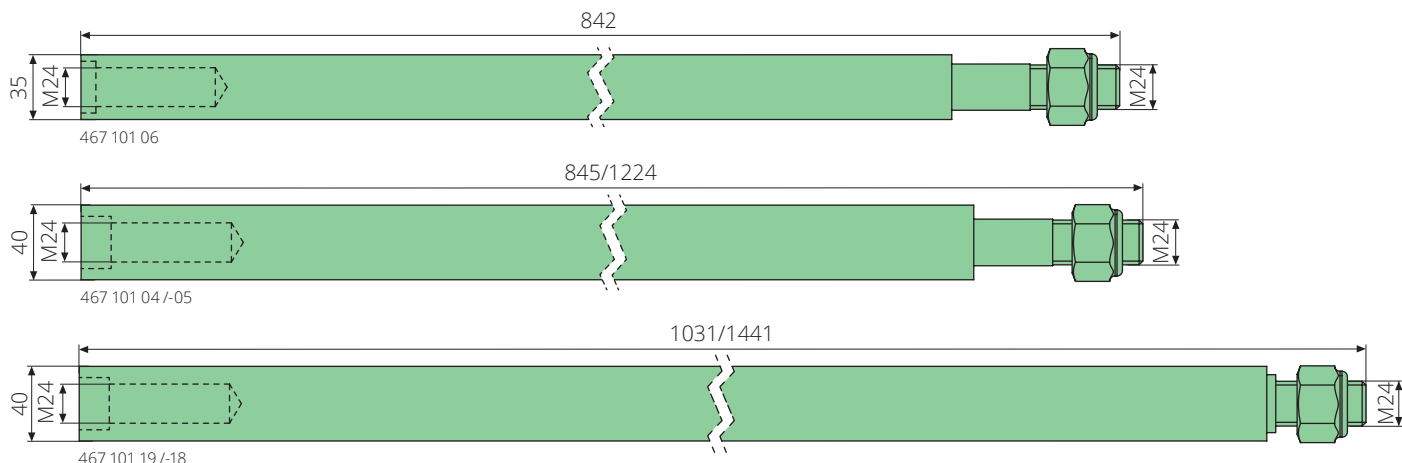
Article no.	Product	Description
467 375	Engine sprocket complete	35-109-40mm, 12 teeth, bore with groove, with spacing washer
467 376	Engine sprocket complete	40-109-40mm, 12 teeth, bore with groove, with spacing washer
467 377	Sprocket for twisting hook complete	30-109-40mm, 12 teeth, bore with groove, with spacing washer
467 378	Guide sprocket	40-109-40mm, 12 teeth
467 379	Guide sprocket	40-108-30mm, 12 teeth

Wire drawing needles



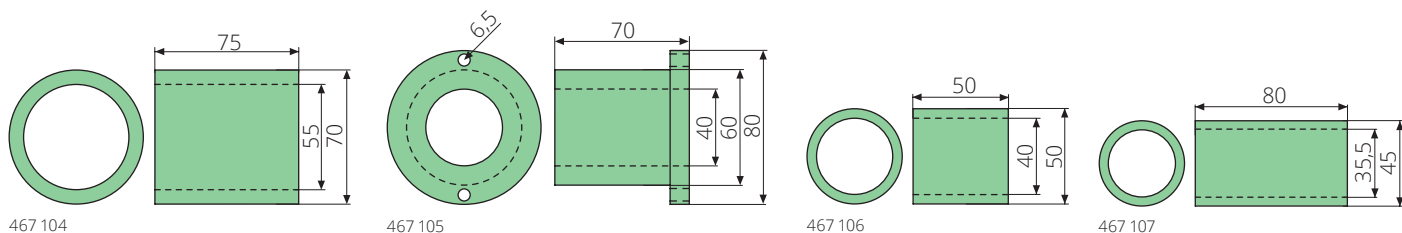
Article no.	Product	Description
467 101 20	Wire drawing needle complete	35x1390mm, S355J2
467 101 03	Wire drawing needle complete	40x988,6mm, S355J2, with wire guide roller 467 101 11 & spring pin
467 101 10	Wire drawing needle complete	40x982mm, S355J2, with wire guide roller 467 101 11 & spring pin

Article no.	Product	Description
467 102 11	Wire guide roller	10-35-13,5mm, S355J2, with needle bearing
467 101 11	Wire guide roller	10-65-13,5mm, S355J2, with needle bearing
467 101 17	Wire guide roller	10-65-13,5mm, S355J2, with brass bushing



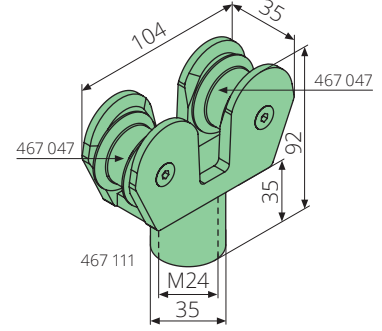
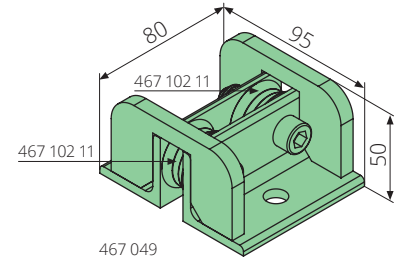
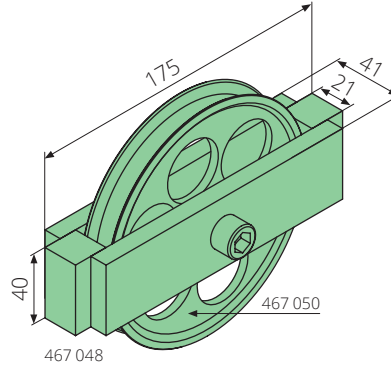
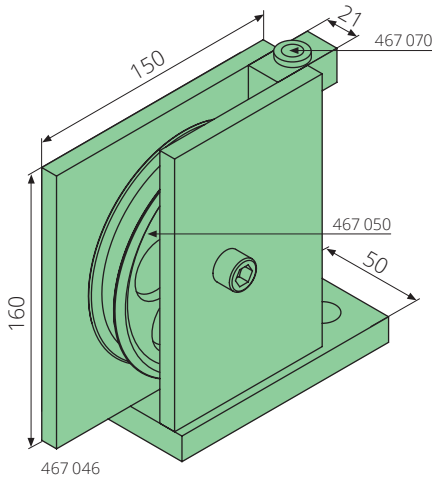
Article no.	Product	Description
467 101 06	Extension for wire drawing needle	35x842mm, S355J2, with nut
467 101 04	Extension for wire drawing needle	40x845mm, S355J2, with nut
467 101 19	Extension for wire drawing needle	40x1031mm, S355J2, with nut
467 101 05	Extension for wire drawing needle	40x1224mm, S355J2, with nut
467 101 18	Extension for wire drawing needle	40x1441mm, S355J2, with nut

Guide bushings for needles



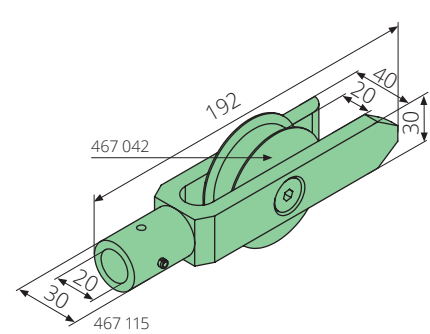
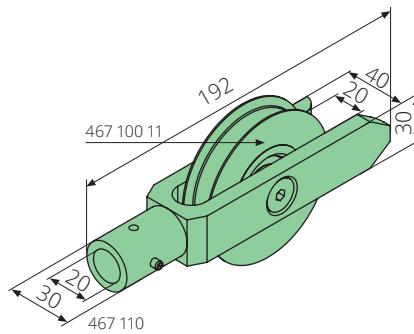
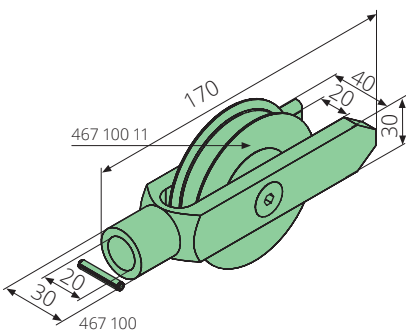
Article no.	Product	Description
467 104	Bushing	55-70-75mm, Rg7, for wire thrust top
467 105	Guide bushing for needle	40-60/80-70mm, POM
467 106	Guide bushing for needle	40-50-50mm, MS58
467 107	Guide bushing for needle	35,5-45-80mm, MS58

Mounts for rollers

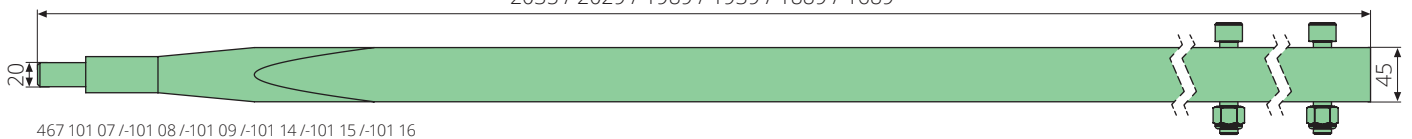


Article no.	Product	Description
467 046	Mount for roller complete	160x150x50mm, with wire guide roller 467 050, bushing 467 070, screw & nut
467 048	Mount for roller complete	175x40x40mm, with wire guide roller 467 050, screw & nut
467 111	Mount for roller complete	104x92mm, with 2 wire guide rollers 467 047 & screws
467 049	Mount for roller complete	80x50x95mm, with 2 wire guide rollers 467 102 11, screws & nuts

Article no.	Product	Description
467 050	Wire guide roller	12,5-130-20mm, S355J2
467 047	Wire guide roller	6-40-20mm, S355J2, with needle bearing
467 102 11	Wire guide roller	10-35-13,5mm, S355J2, with needle bearing
467 070	Wire guide bushing	11-18/22-20mm, 16MnCr5, hardened



2035 / 2029 / 1989 / 1939 / 1889 / 1689

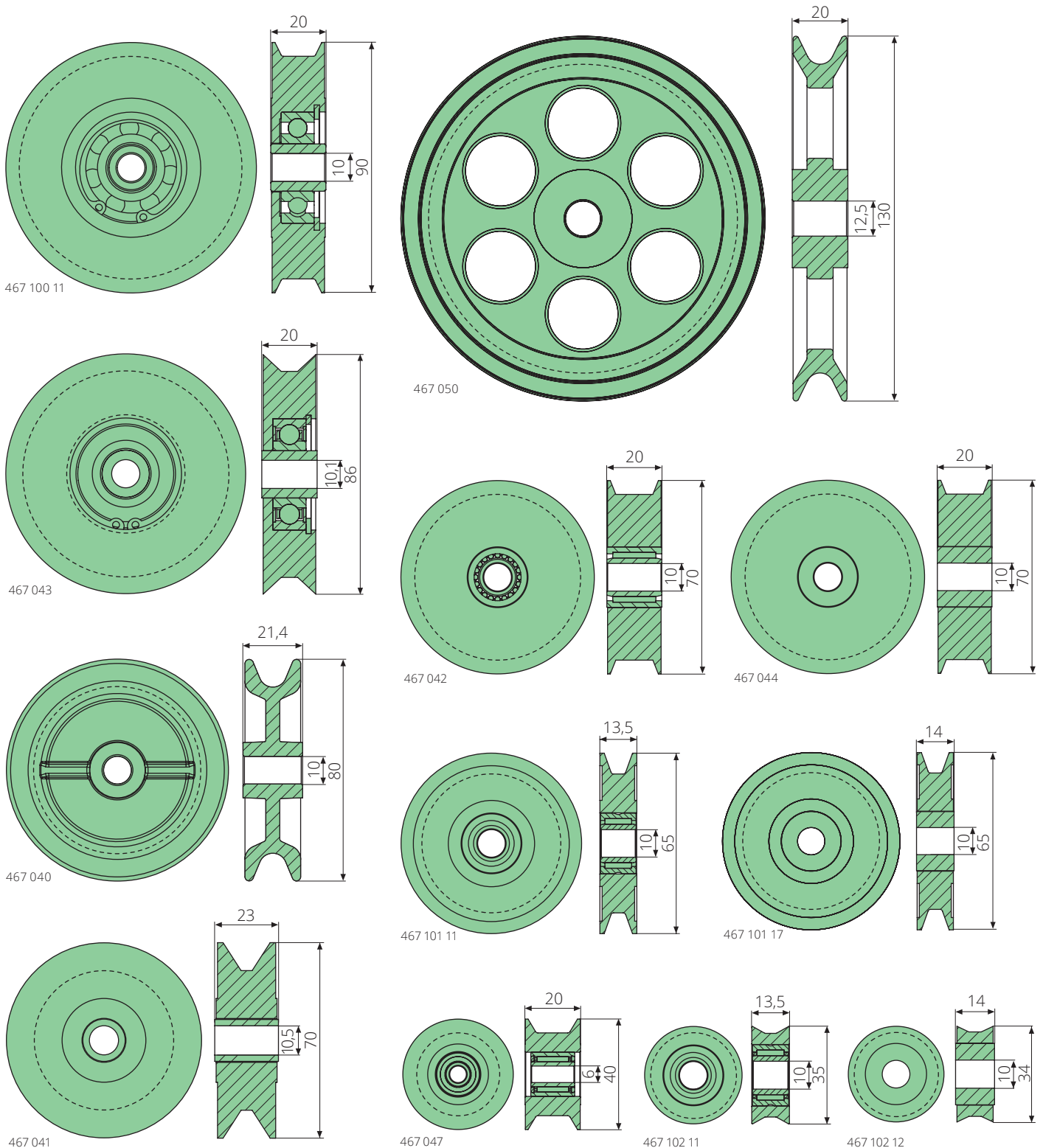


Article no.	Product	Description
467 100	Mount for roller complete	170x30mm, with wire guide roller 467 100 11, screw & spring pin
467 110	Mount for roller complete	192x30mm, with wire guide roller 467 100 11, 2 bores, screw & spring pin
467 115	Mount for roller complete	192x30mm, with wire guide roller 467 042, 2 bores, screw & spring pin

Article no.	Product	Description
467 100 11	Wire guide roller	10-90-19mm, S355J2, with ball bearing, circlip & bushing
467 042	Wire guide roller	10-70-19,5mm, 42CrMo4, with needle bearing

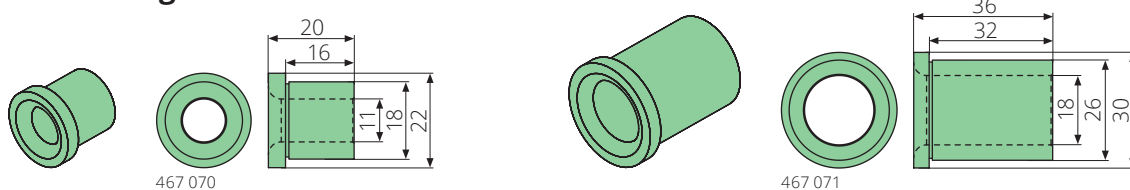
Article no.	Product	Description
467 101 07	Wire thrusting rod complete	45x45x2035mm, S355J2, with set of screws
467 101 08	Wire thrusting rod complete	45x45x2029mm, S355J2, with set of screws
467 101 09	Wire thrusting rod complete	45x45x1989mm, S355J2, with set of screws
467 101 14	Wire thrusting rod complete	45x45x1939mm, S355J2, with set of screws
467 101 15	Wire thrusting rod complete	45x45x1889mm, S355J2, with set of screws
467 101 16	Wire thrusting rod complete	45x45x1689mm, S355J2, with set of screws

Wire guide rollers



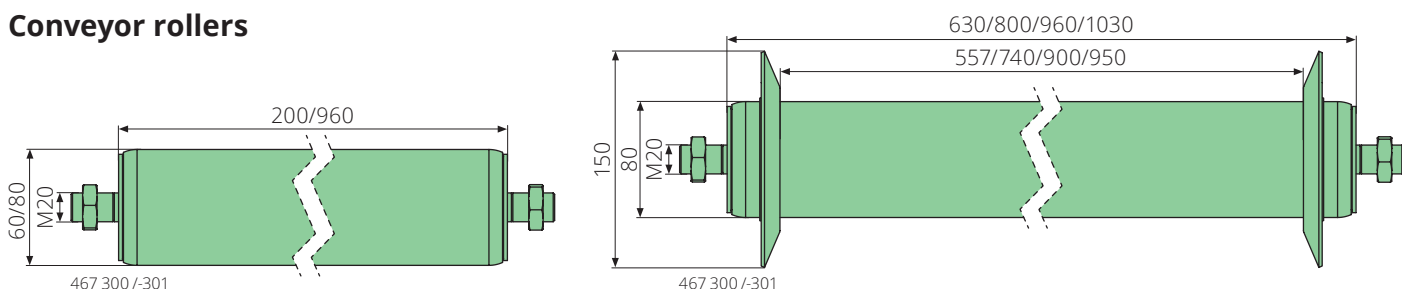
Article no.	Product	Description
467 050	Wire guide roller	12,5-130-20mm, S355J2
467 100 11	Wire guide roller	10-90-19mm, S355J2, with ball bearing, circlip & bushing
467 043	Wire guide roller	10,1-86-19mm, S355J2, with bearing, circlip & bushing
467 040	Wire guide roller	10-80-21,4mm, S355J2
467 041	Wire guide roller	10,5-70-23mm, PE, with bushing
467 042	Wire guide roller	10-70-19,5mm, 42CrMo4, with needle bearing
467 044	Wire guide roller	10-70-20mm, 42CrMo4, with brass bushing
467 101 11	Wire guide roller	10-65-13,5mm, S355J2, with needle bearing
467 101 17	Wire guide roller	10-65-13,5mm, S355J2, with brass bushing
467 047	Wire guide roller	6-40-20mm, S355J2, with needle bearing
467 102 11	Wire guide roller	10-35-13,5mm, S355J2, with needle bearing
467 102 12	Wire guide roller	10-34-14mm, S355J2, with brass bushing

Wire guide bushings



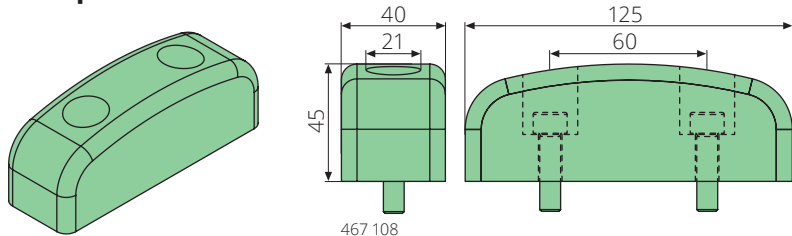
Article no.	Product	Description
467 070	Wire guide bushing	11-18/22-20mm, 16MnCr5, hardened
467 071	Wire guide bushing	18-26/30-36mm, 16MnCr5, hardened

Conveyor rollers



Article no.	Product	Description
467 300	Conveyor roller	60x200mm, with nuts
467 301	Conveyor roller	80x960mm, with nuts
467 306	Conveyor roller	80x630mm, with wheel spacers & nuts
467 307	Conveyor roller	80x800mm, with wheel spacers & nuts
467 308	Conveyor roller	80x960mm, with wheel spacers & nuts
467 302	Conveyor roller	80x1030mm, with wheel spacers & nuts

Bumper



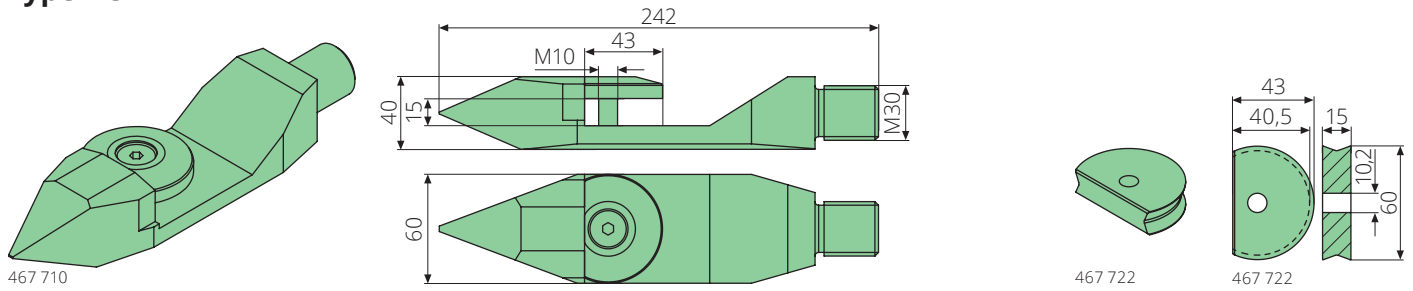
Article no.	Product	Description
467 108	Bumper complete	125x40x45mm, rubber, with screws

Filters

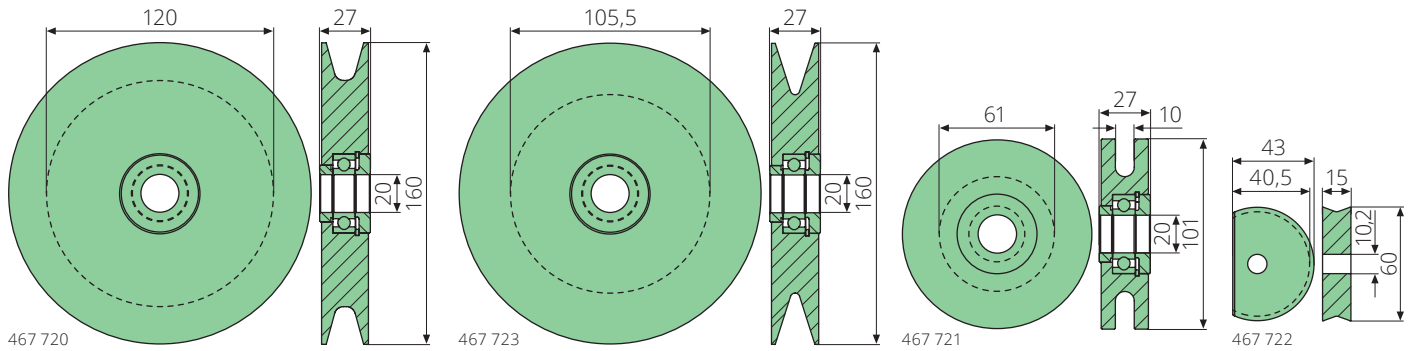


Article no.	Product	Description
462 300	Air filter	95-140-65mm, efficiency 99%, according to ISO 5011
462 301	Hydraulic filter	60-100-234mm, 100 micron, metal fiber
462 302	Hydraulic filter	34-60-230mm, 25 micron, metal fiber
462 303	Hydraulic filter	44,5-83-315mm, 10 micron, fiberglass fleece

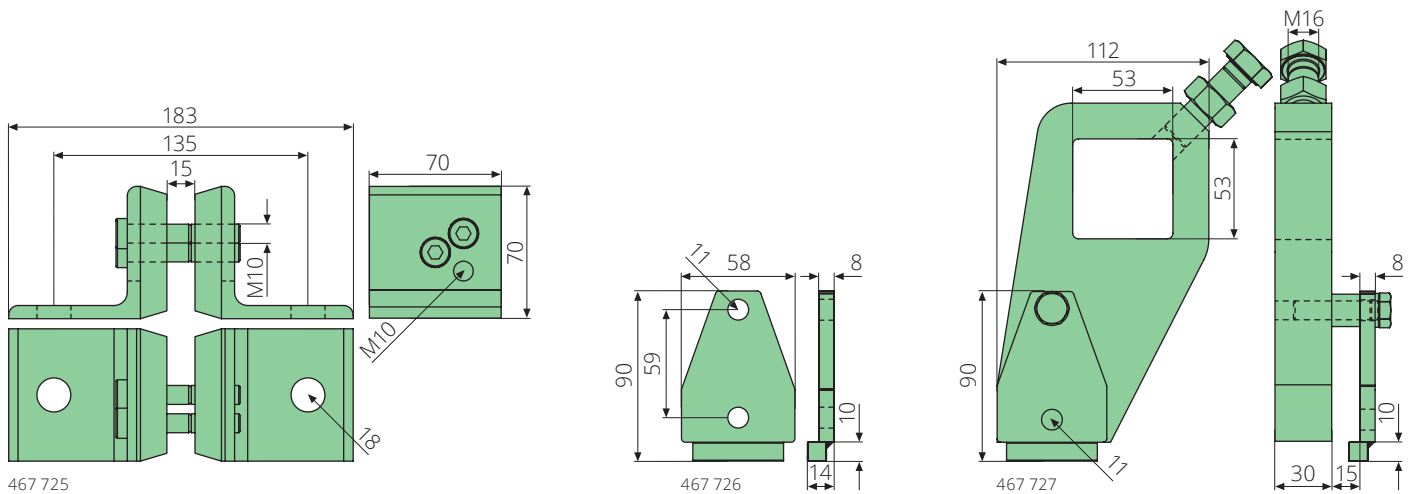
Type BOA



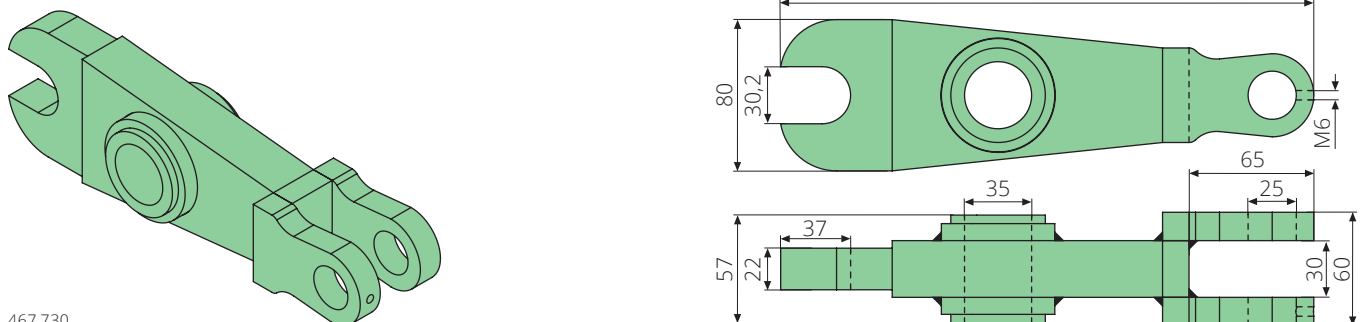
Article no.	Product	Description
467 710	Wire drawing needle	M30x242mm, without wire guide roller
467 722	Wire guide roller	10,2-60-15mm, ceramic



Article no.	Product	Description
467 720	Wire guide roller	20-160-27mm, PA6, with bearing
467 723	Wire guide roller	20-160-27mm, PA6, with bearing
467 721	Wire guide roller	20-101-27mm, PA6, with bearing
467 722	Wire guide roller	10,2-60-15mm, ceramic

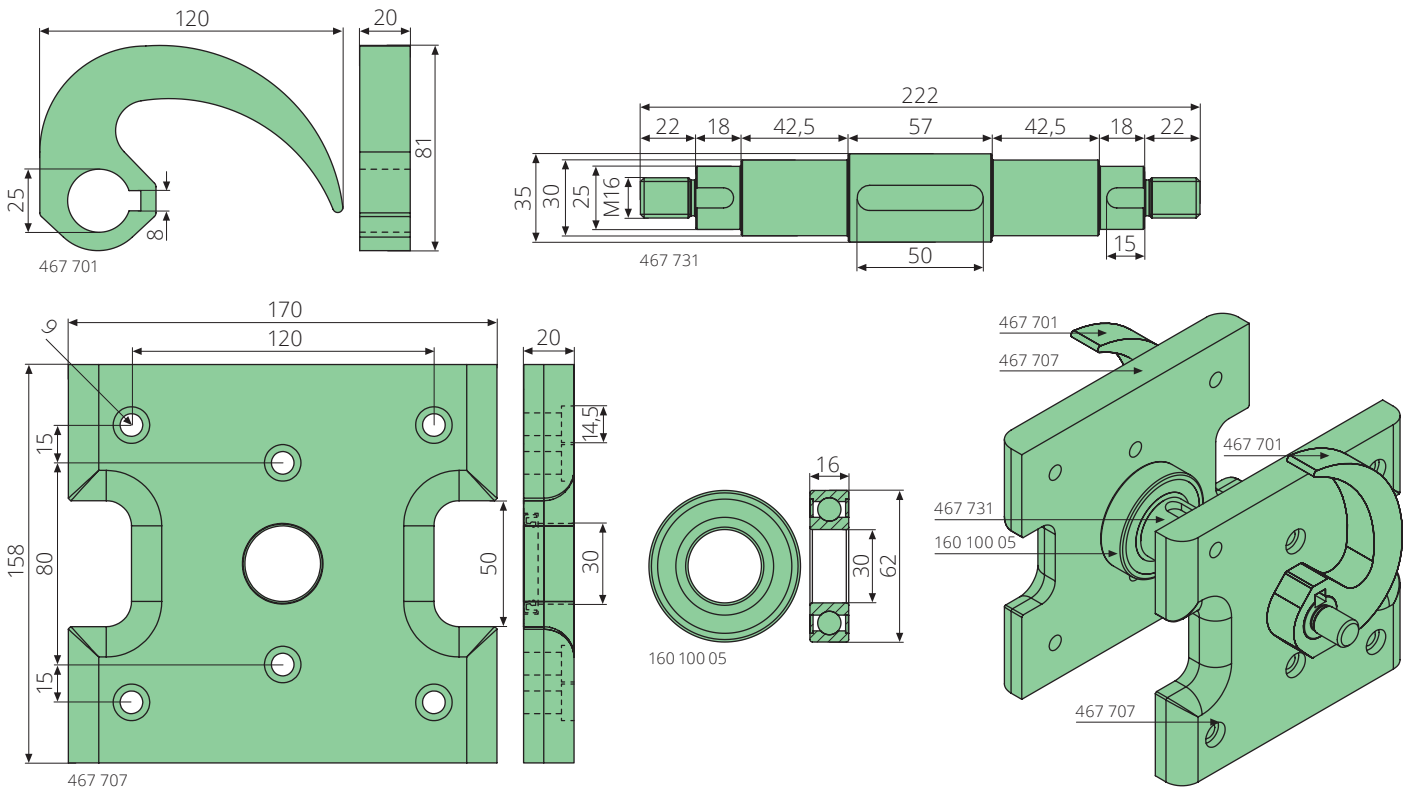


Article no.	Product	Description
467 725	Mount for roller	70x70x183mm
467 726	Mount for roller	90x60x23mm
467 727	Mount for roller	190x112x30mm

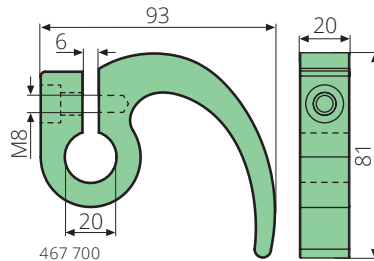


Article no.	Product	Description
467 730	Piston connector	80x282mm, galvanized

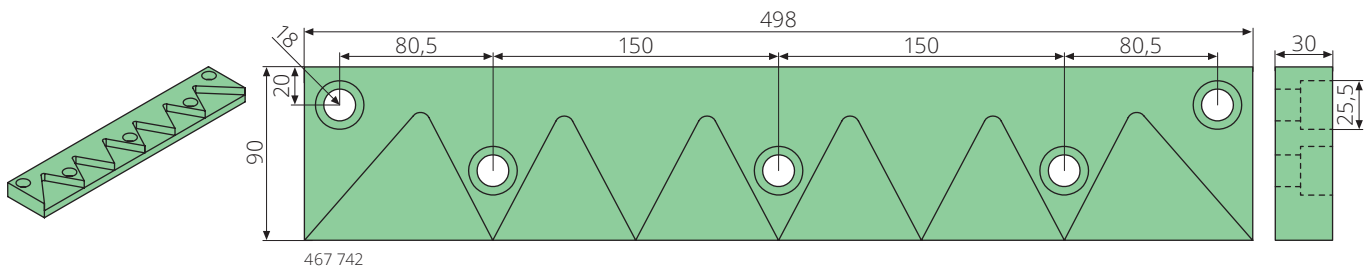
Type BOA



Article no.	Product	Description
467 701	Twisting hook	20x120mm, HARDOX 500
467 731	Shaft for twisting hook	25x222mm, S355J2
467 707	Mount for shaft for twisting hook	158x170x20mm, galvanized, with radial shaft seal
160 100 05	Ball bearing	30-62-16mm, DIN 625, 6206-2RS



Article no.	Product	Description
467 700	Twisting hook	20x93mm, HARDOX 500

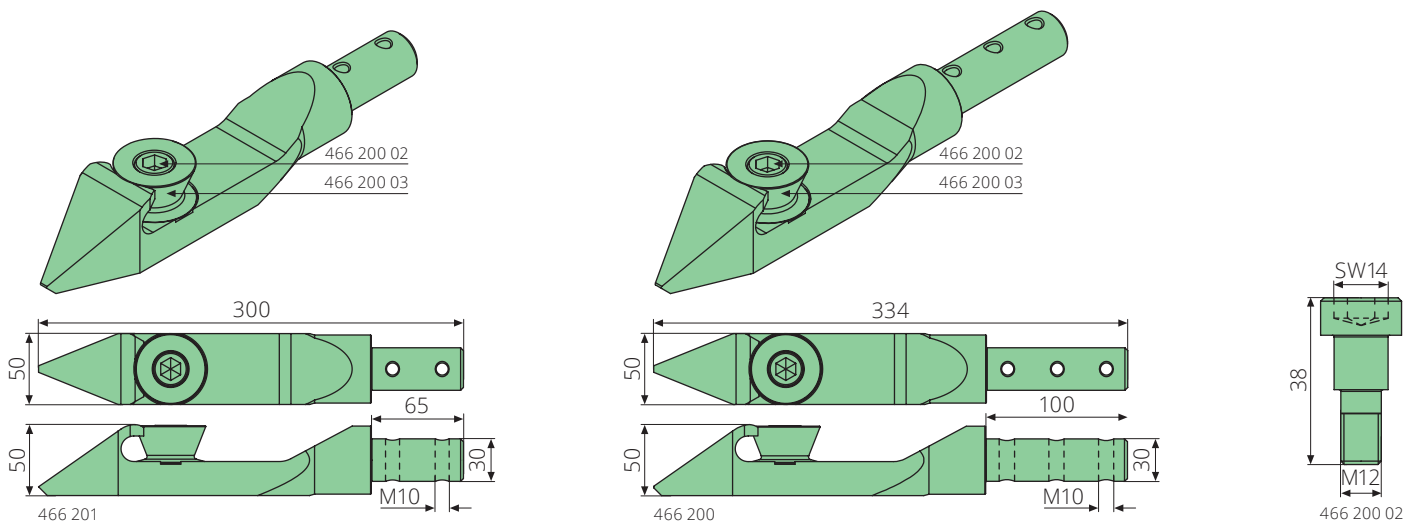


Article no.	Product	Description
467 742	Blade	90x498x30mm

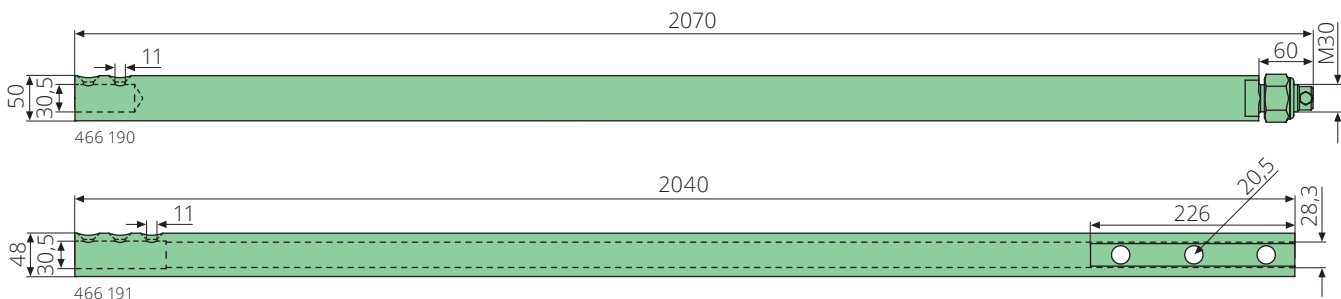


Article no.	Product	Description
467 741	Blade	35x40x8,8mm, X45NiCrMo4
467 740	Blade	35x27x8,8mm, X45NiCrMo4

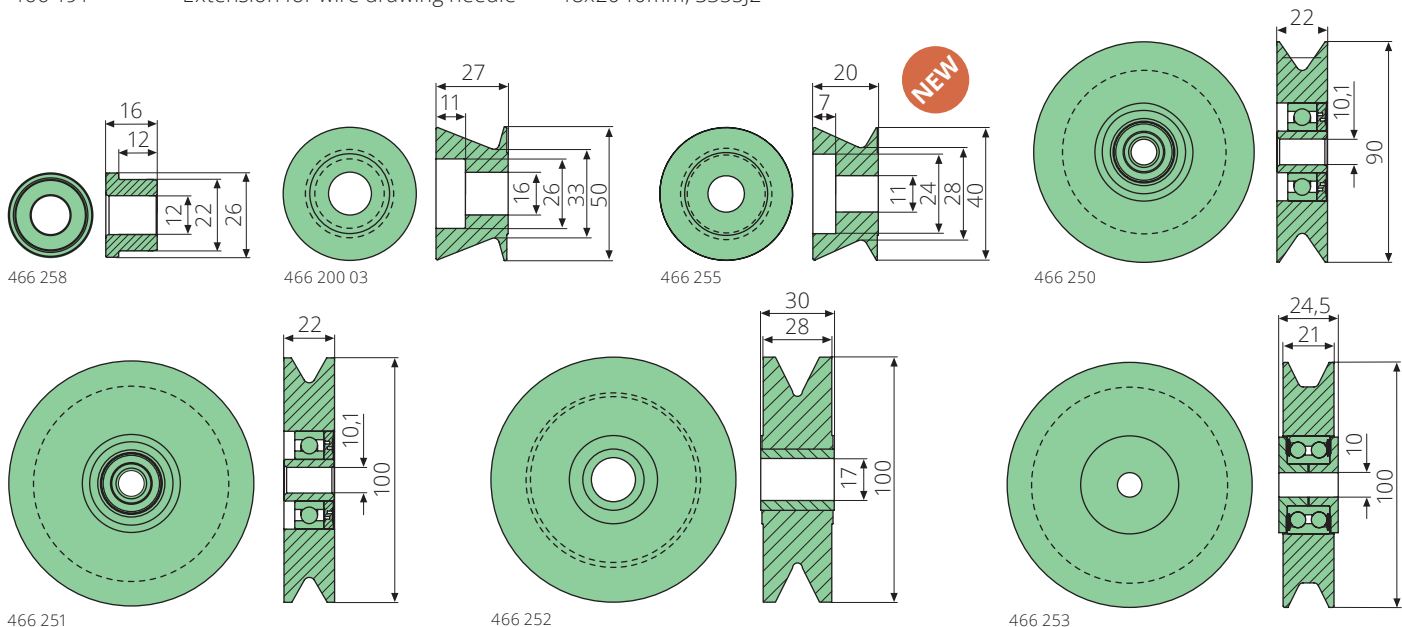
Type BOLLEGRAAF



Article no.	Product	Description
466 201	Wire drawing needle complete	30x300mm, S355J2, galvanized, OEM-Nr. 072-217
466 200	Wire drawing needle complete	30x344mm, S355J2, galvanized, OEM-Nr. 072-210
466 200 03	Wire guide roller	16-50-27mm, 42CrMo4, galvanized
466 200 02	Screw	M12x38mm

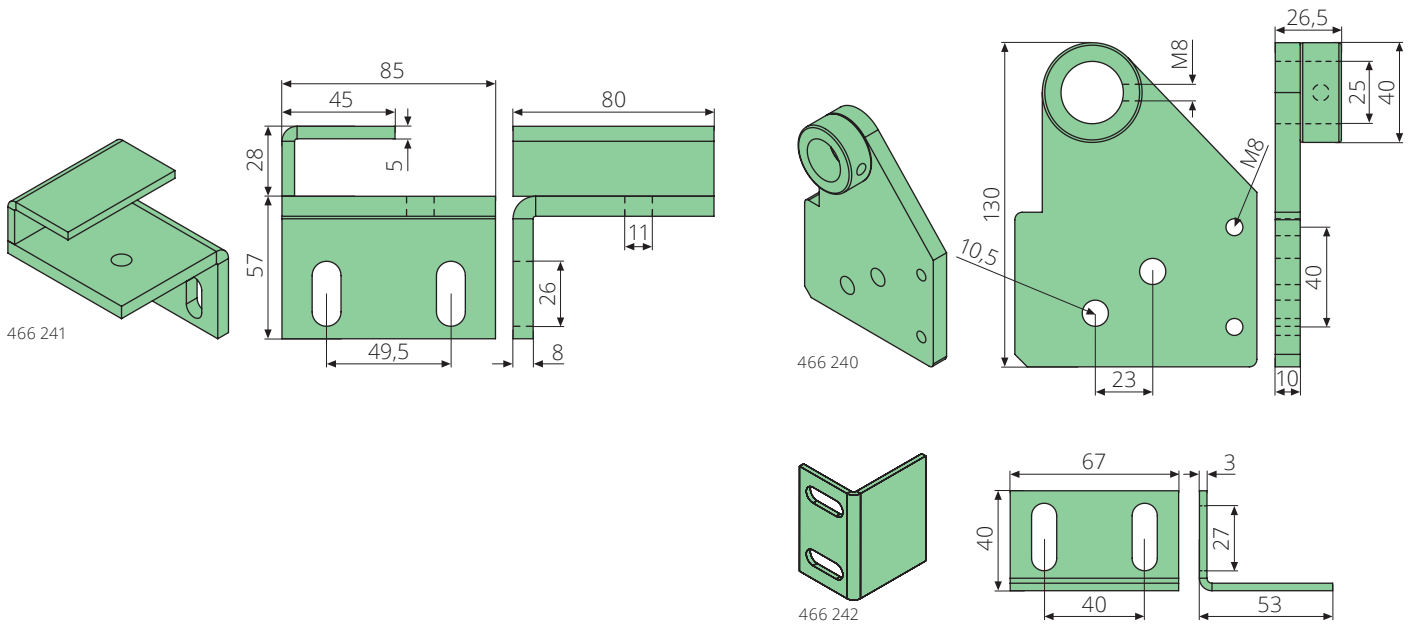


Article no.	Product	Description
466 190	Extension for wire drawing needle	50x2070mm, S355J2
466 191	Extension for wire drawing needle	48x2040mm, S355J2

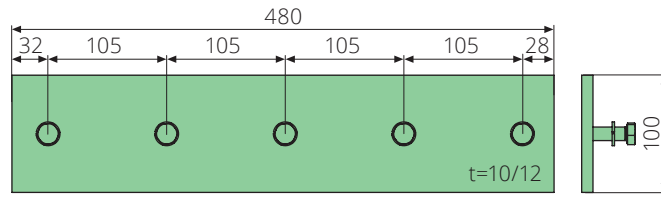


Article no.	Product	Description
466 258	Wire guide bushing	12-22/26-16mm, hardened
466 200 03	Wire guide roller	16-50-27mm, 42CrMo4, galvanized
466 255	Wire guide roller	11-40-20mm, galvanized, 42CrMo4
466 250	Wire guide roller	10,1-90-22mm, with bearing
466 251	Wire guide roller	10,1-100-22mm, with bearing
466 252	Wire guide roller	17-100-30mm, hardened, with bushing
466 253	Wire guide roller	10-100-24,5mm, hardened, with bearing, OEM-Nr. 093-219

Type BOLLEGRAAF

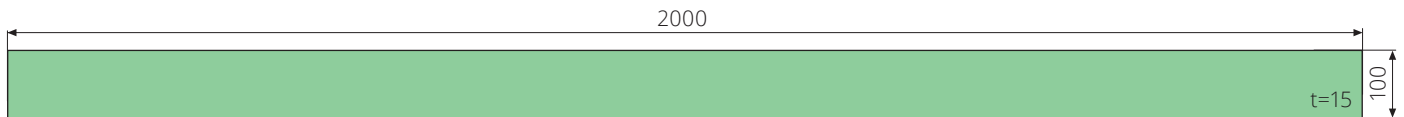


Article no.	Product	Description
466 241	Mount for roller	85x80x85mm, primed, OEM-Nr. 093-265
466 240	Mount for roller	97x26,5x130mm, primed, OEM-Nr. 091-425
466 242	Baffle	67x53x40mm, primed, OEM-Nr. 091-402



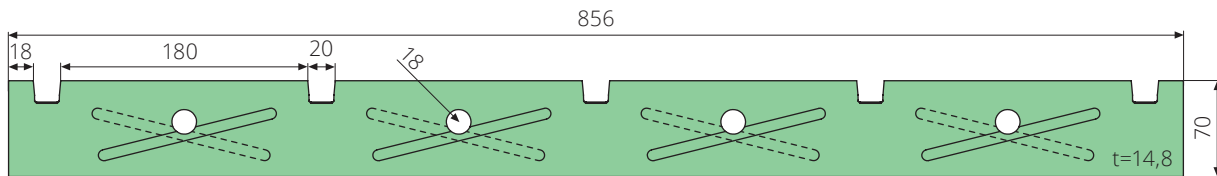
466 300 /-301

Article no.	Product	Description
466 300	Slide profile	480x100x10mm, brass, with spring washers & screws
466 301	Slide profile	480x100x12mm, brass, with spring washers & screws, OEM-Nr. 093-630

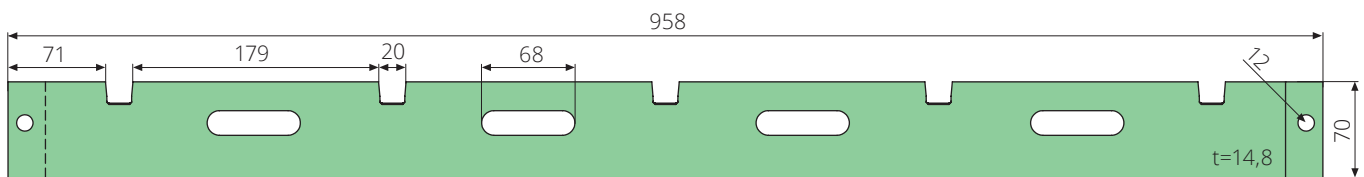


466 400

Article no.	Product	Description
466 400	Guide rail	2000x100x15mm, HARDOX 450



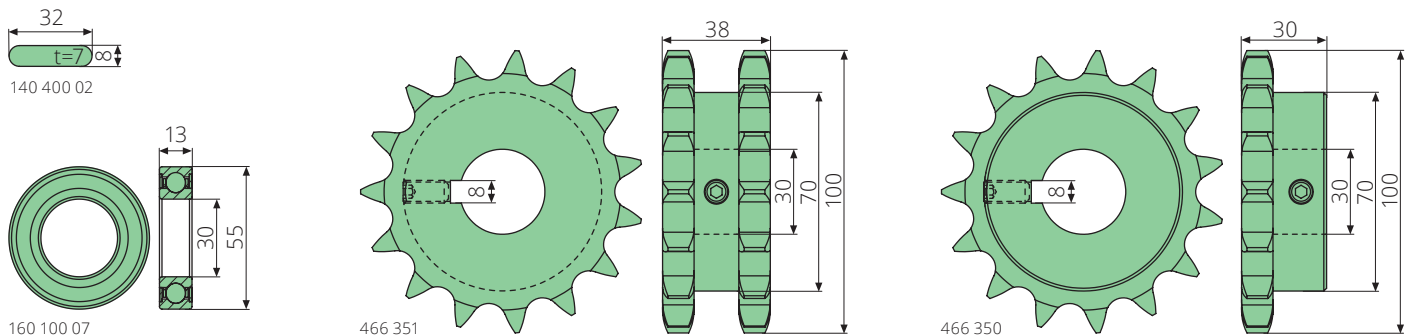
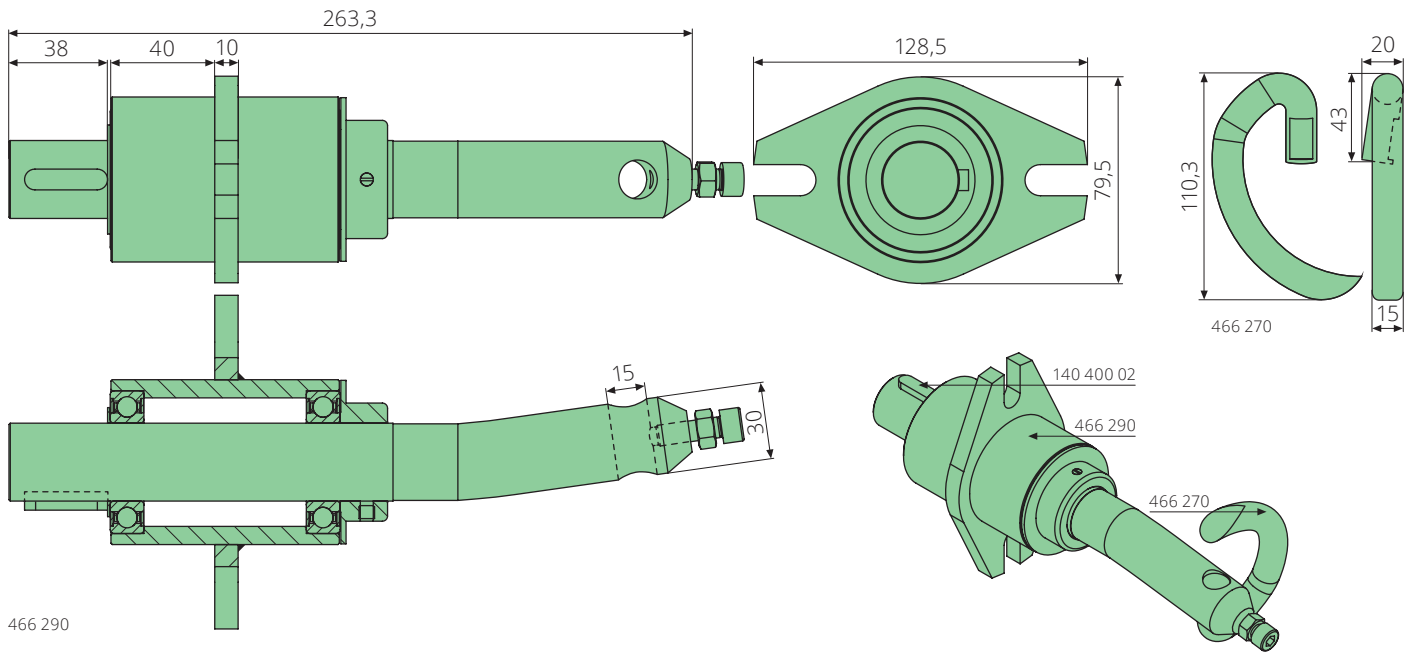
466 500



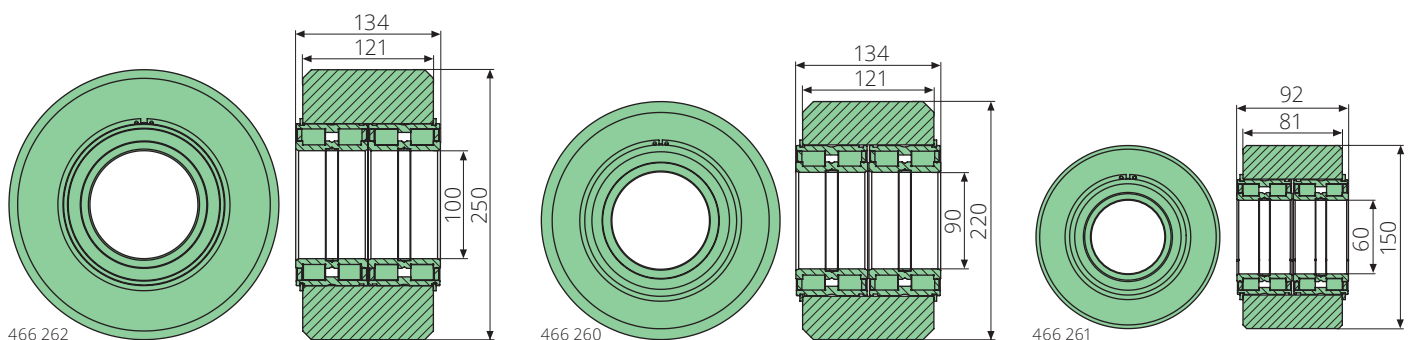
466 501

Article no.	Product	Description
466 500	Blade	856x70x14,8mm, loose, hardened, X155CrMoV12-1, OEM-Nr. 075-119
466 501	Blade	958x70x14,8mm, fixed, hardened, X155CrMoV12-1, OEM-Nr. 075-120

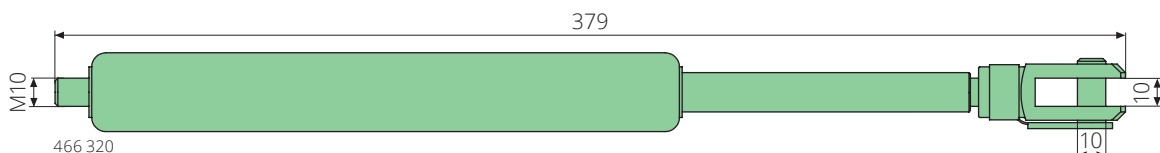
Type **BOLLEGRAAF**



Article no.	Product	Description
466 290	Shaft for twisting hook	30x263,3mm, 42crMo4, with bearings & screw
466 270	Twisting hook	20x110,3mm, 42crMo4, hardened, OEM-Nr. 091-506
140 400 02	Parallel key	8x7x32mm, DIN 6885
160 100 07	Ball bearing	30-55-13mm, DIN 625, 6006-2RS
466 351	Duplex sprocket complete	30-100-38mm, 15 teeth, bore with groove, with threaded pin, OEM-Nr. 074-178
466 350	Sprocket complete	30-100-30mm, 15 teeth, bore with groove, with threaded pin, OEM-Nr. 074-181

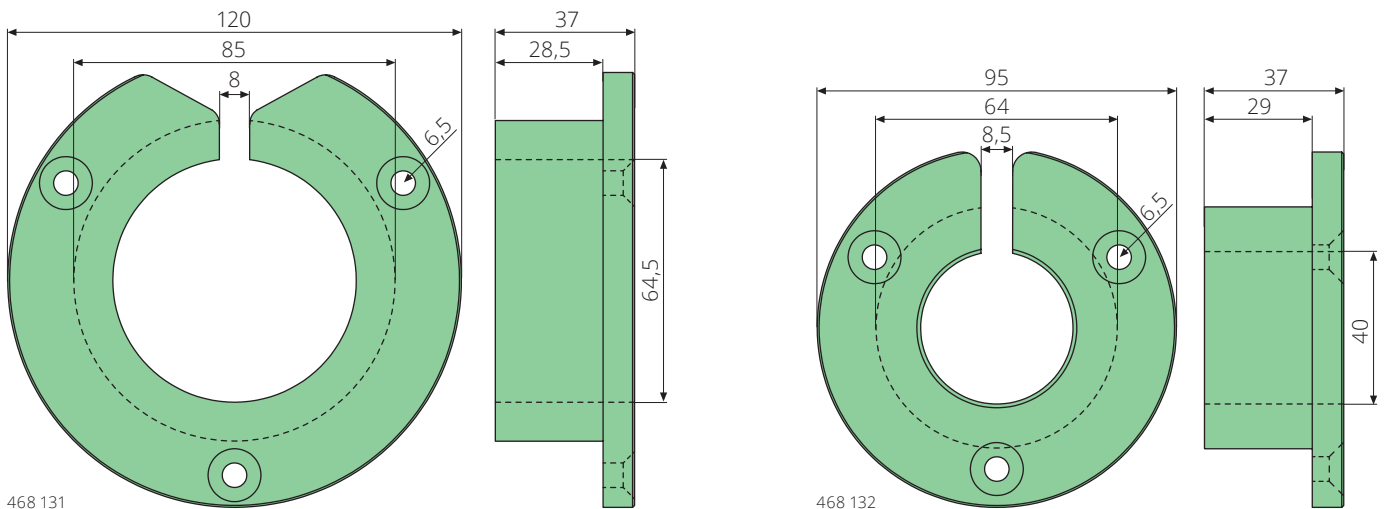
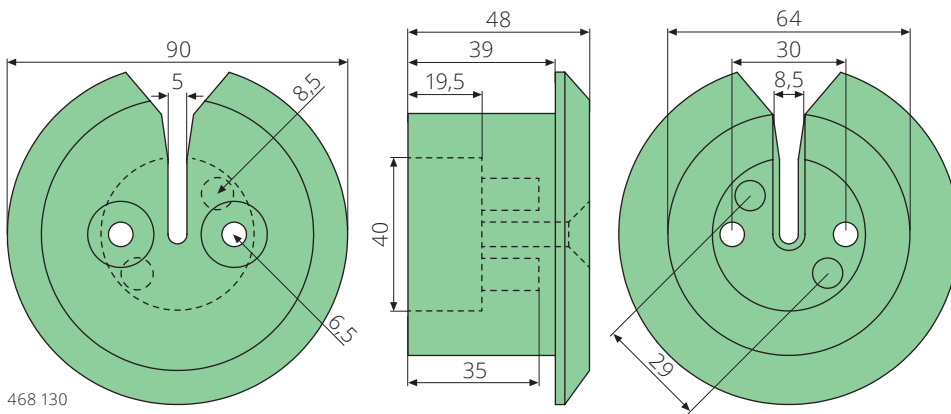
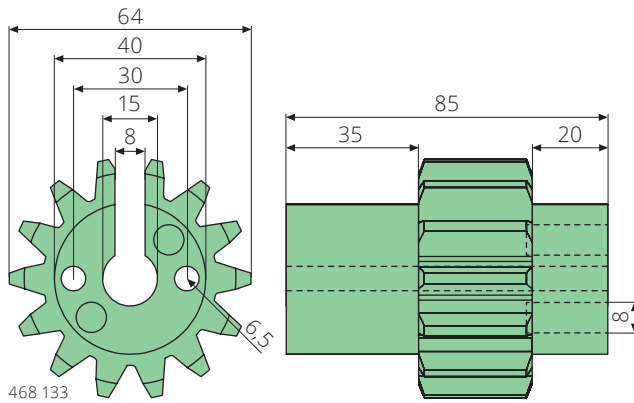
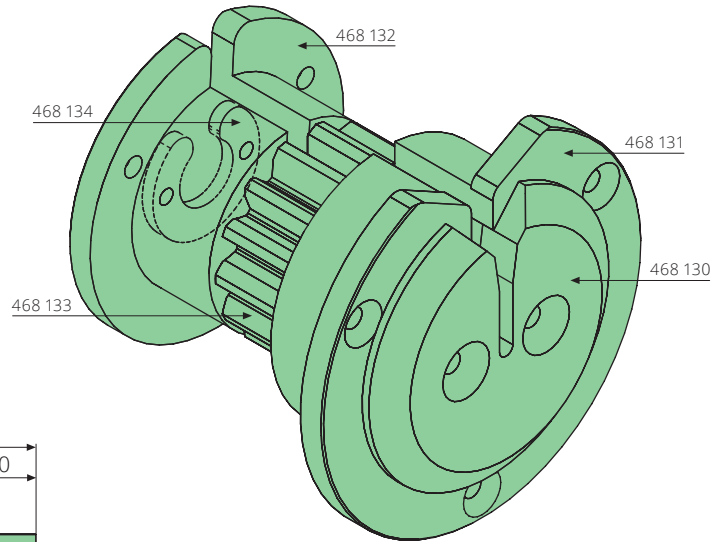
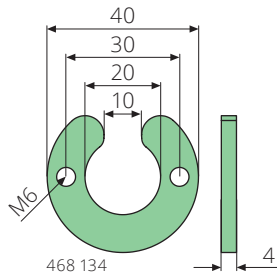


Article no.	Product	Description
466 262	Track roller complete	100-250-121mm, with 2 bearings
466 260	Track roller complete	90-220-121mm, 2 bearings, for HBC 80,100,110, OEM-Nr. 094-250
466 261	Track roller complete	60-150-81mm, 2 bearings, OEM-Nr. 094-252



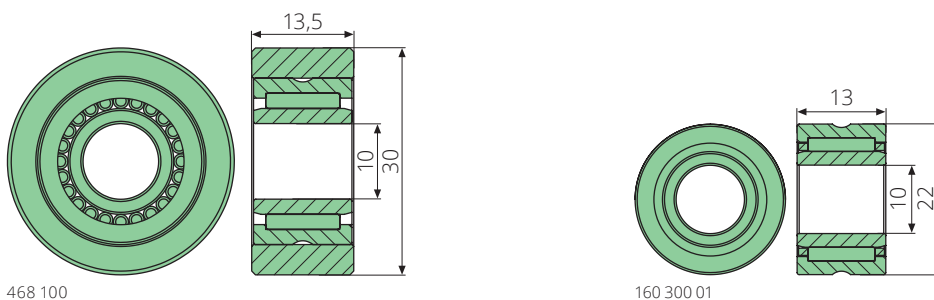
Article no.	Product	Description
466 320	Gas spring	stroke 100mm, for retainer

Type EUROPRESS

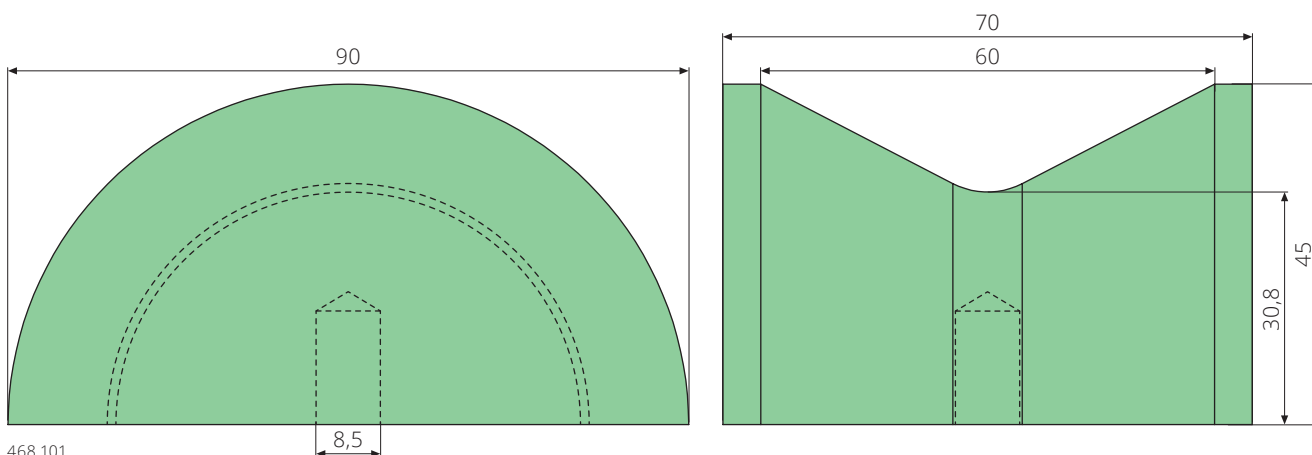


Article no.	Product	Description
468 134	Washer	10-40-4mm, S235JR
468 133	Sprocket	14,5-40/64-85mm, 42CrMo4
468 130	Wire guide bushing	40-64/90-48mm, 42CrMo4
468 131	Slide bushing top	64,5-85/120-37mm, Rg7
468 132	Slide bushing bottom	40-64/95-37mm, Rg7

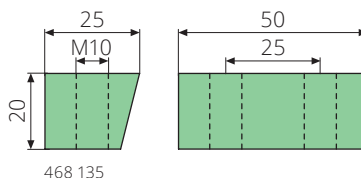
Type EUROPRESS



Article no.	Product	Description
468 100	Wire guide roller	10-30-13,5mm, with needle bearing, S355J2
160 300 01	Needle bearing	10-22-13mm, ISO 1206, NA 4900

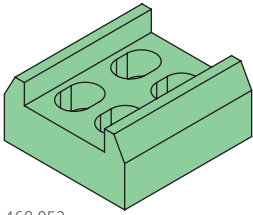


Article no.	Product	Description
468 101	Wire guide roller	8,5-90-70mm, 42CrMo4



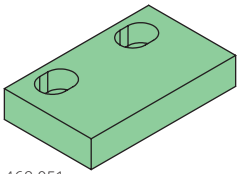
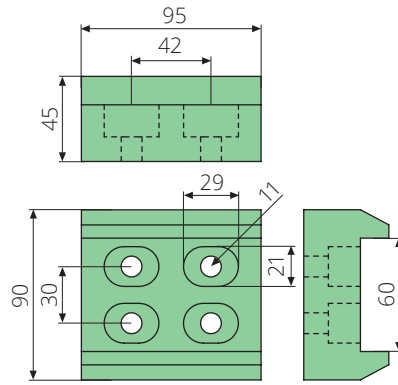
Article no.	Product	Description
468 135	Wire cutting blade	50x20x25mm, X45NiCrMo4, hardened

Type HSM



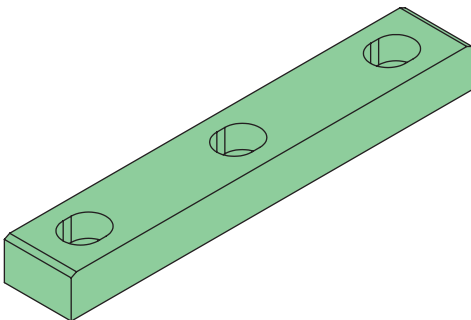
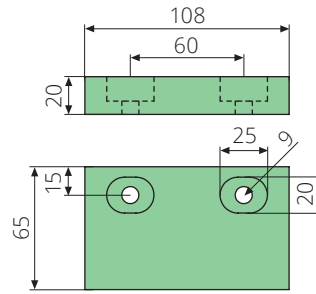
468 052

Article no.	Product	Description
468 052	Slide profile	95x90x45mm, plastic



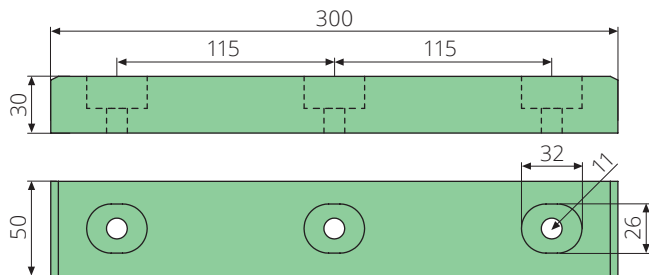
468 051

Article no.	Product	Description
468 051	Slide profile	108x65x20mm, plastic

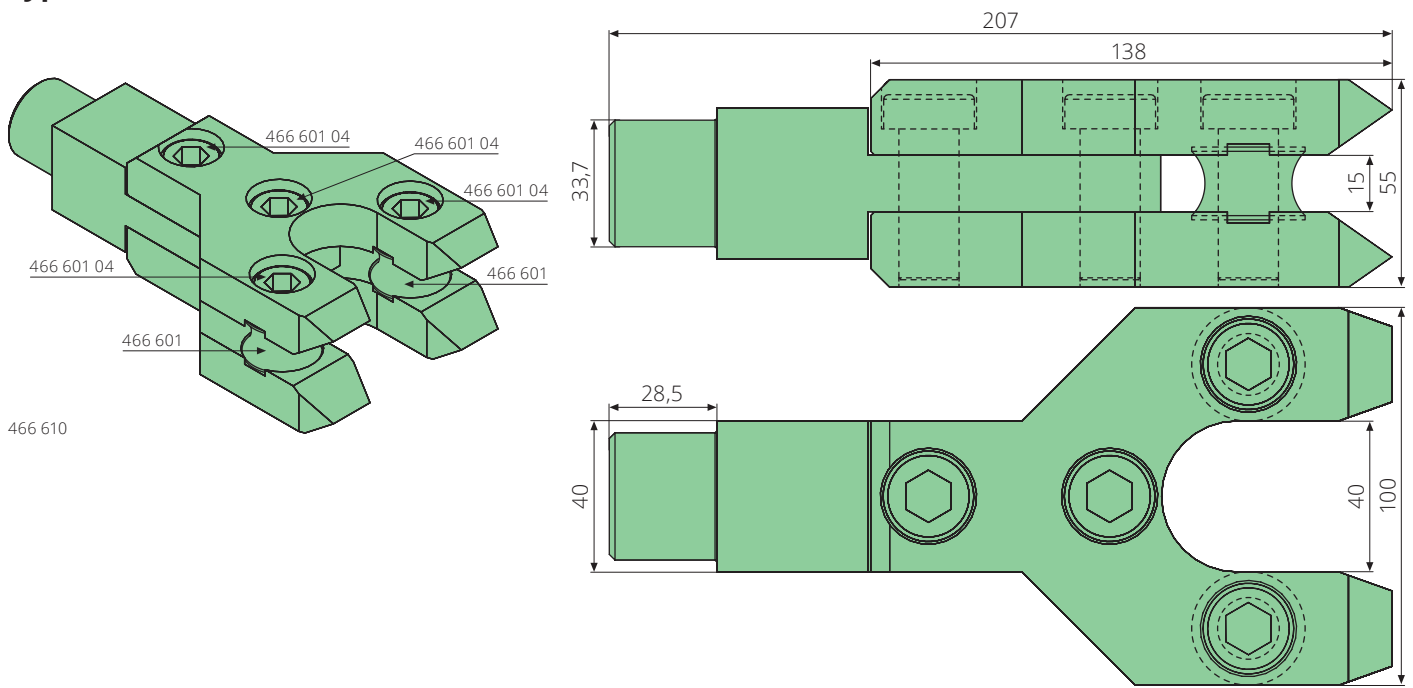


468 050

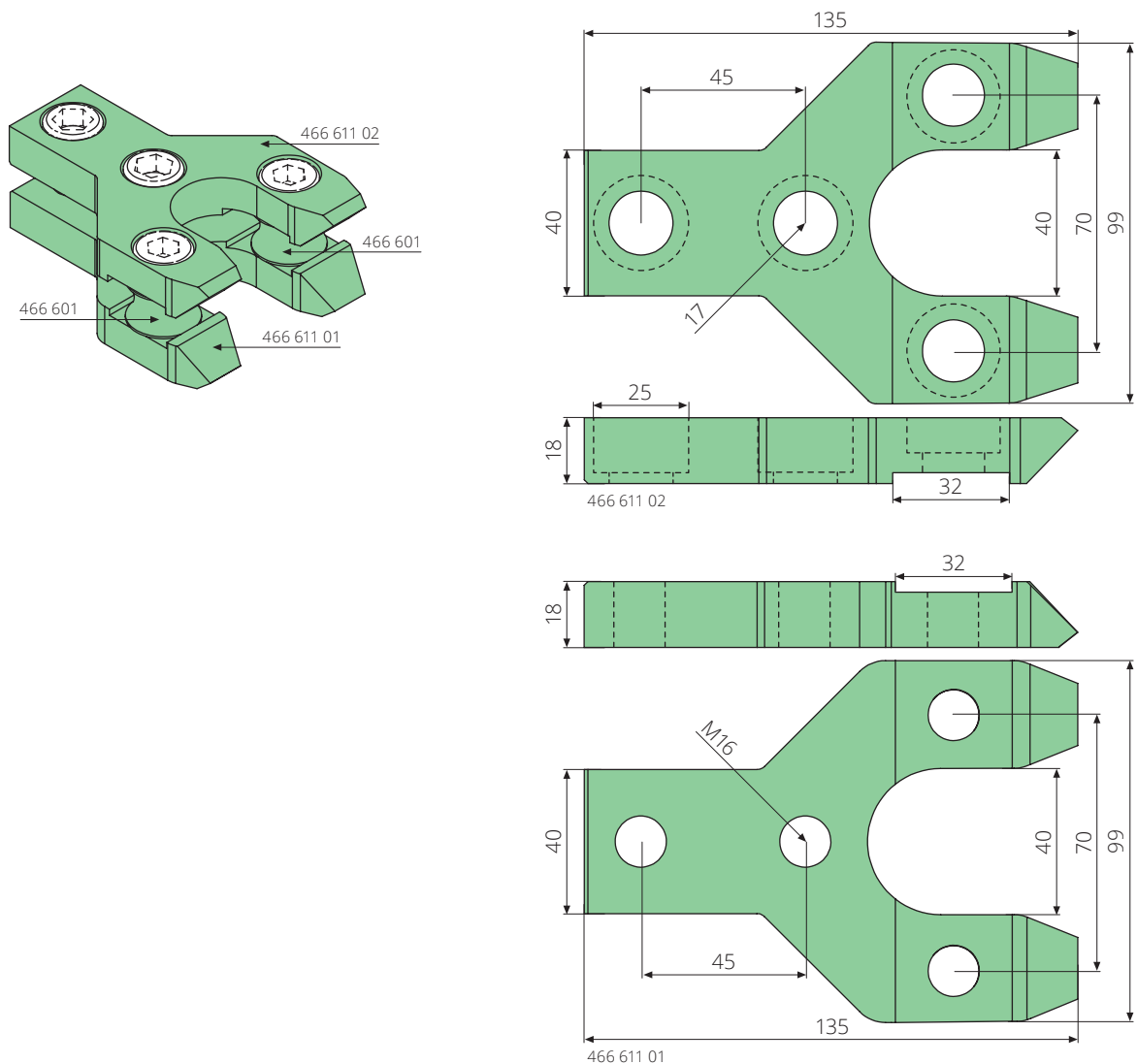
Article no.	Product	Description
468 050	Slide profile	300x50x30mm, plastic



Type MACPRESSE EUROPA

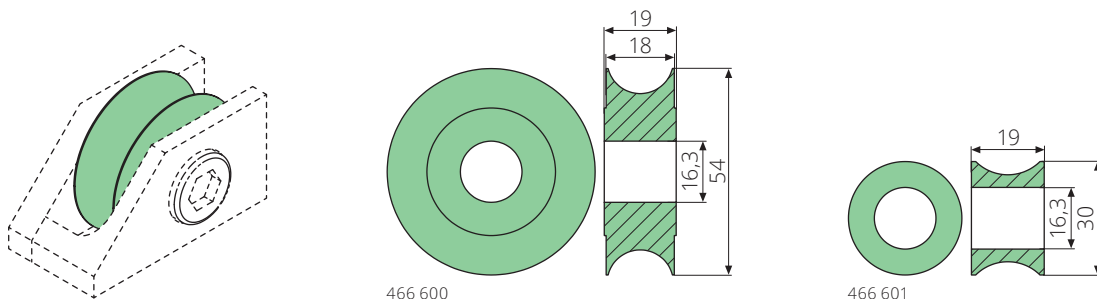


Article no.	Product	Description
466 610	Wire drawing needle complete	40x207mm, with 2 wire guide rollers 466 601 & 4 threaded bolts 466 610 04

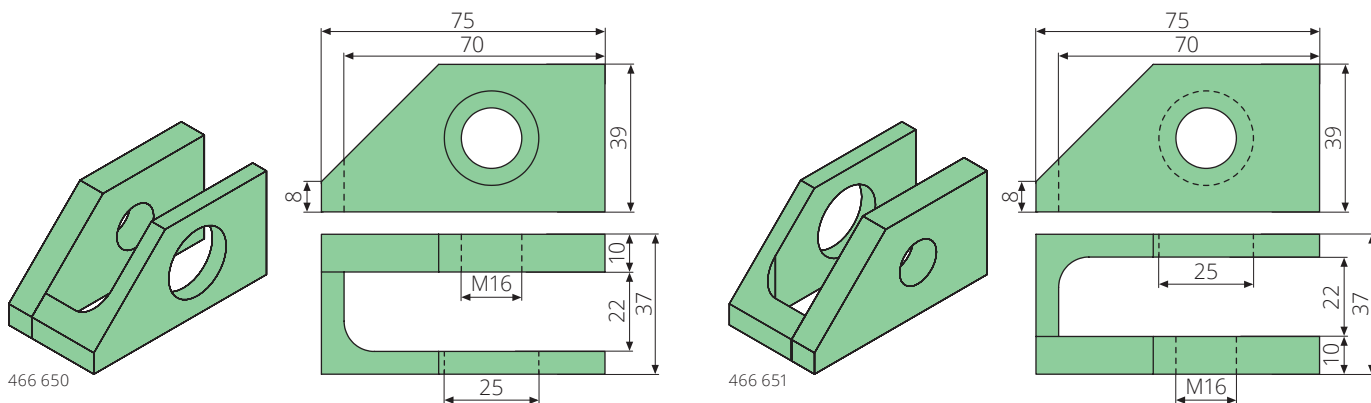


Article no.	Product	Description
466 611 02	Wire drawing needle plate	top, 99x135mm, S355J2, with 4 bores d=17
466 611 01	Wire drawing needle plate	bottom, 99x135mm, S355J2, with 4 bores d=M16

Type MACPRESSE EUROPA

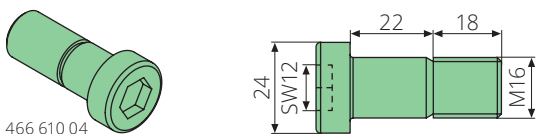


Article no.	Product	Description
466 600	Wire guide roller	16,3-54-19mm, GS-60, hardened
466 601	Wire guide roller	16,3-30-19mm, GS-60, hardened



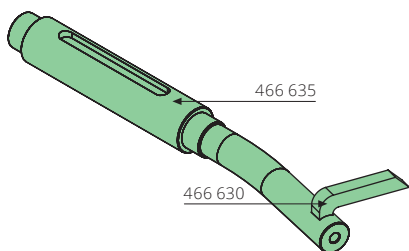
466 650

466 651



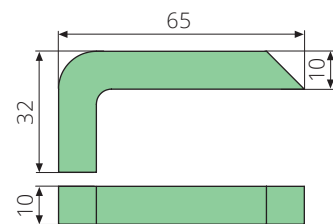
466 610 04

Article no.	Product	Description
466 650	Mount for roller	75x39x37mm, right, S235JR
466 651	Mount for roller	75x39x37mm, left, S235JR
466 610 04	Threaded bolt	M16x40mm

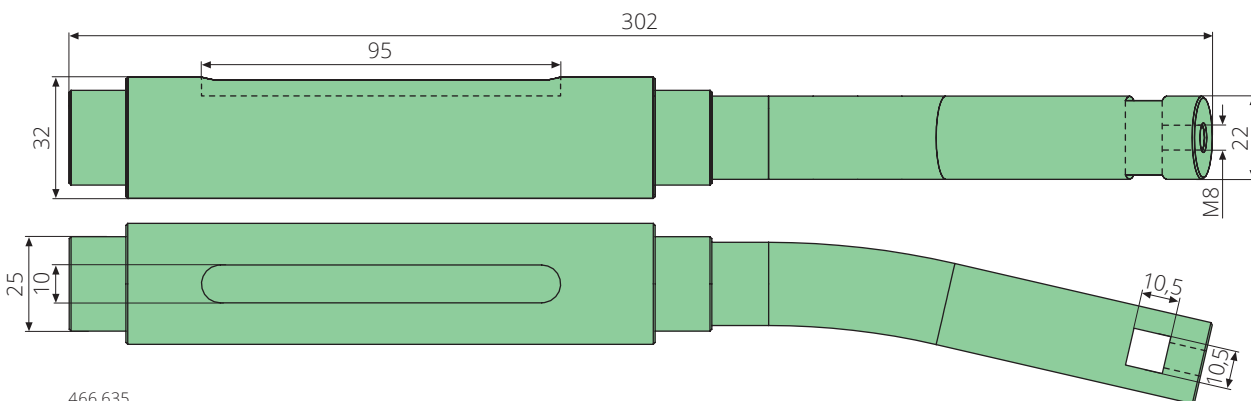


466 635

466 630



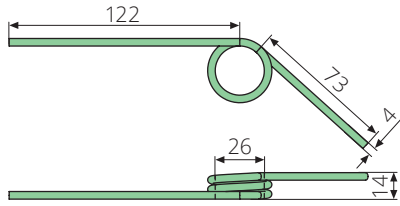
466 630



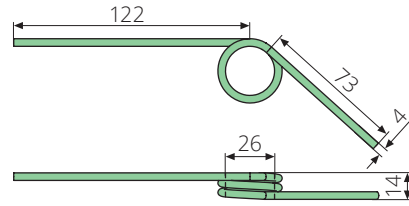
466 635

Article no.	Product	Description
466 635	Shaft for twisting hook	32x302mm, 42CrMo4
466 630	Twisting hook	10x65mm, 42CrMo4

Type MACPRESSE EUROPA

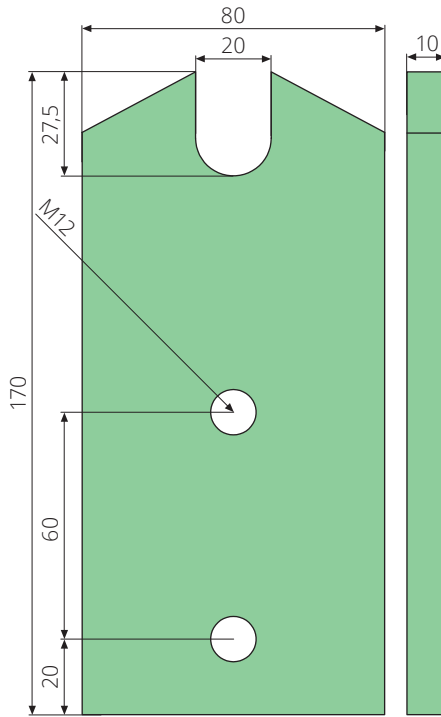


466 660

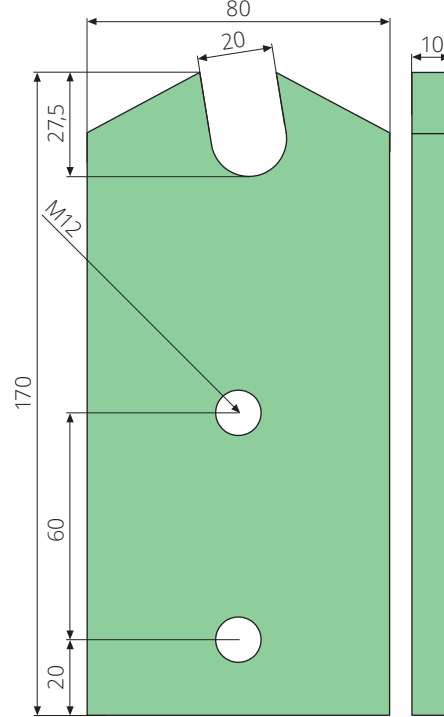


466 661

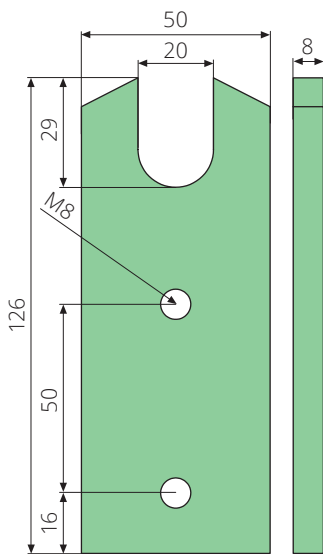
Article no.	Product	Description
466 660	Retaining spring	d=26mm, left
466 661	Retaining spring	d=26mm, right



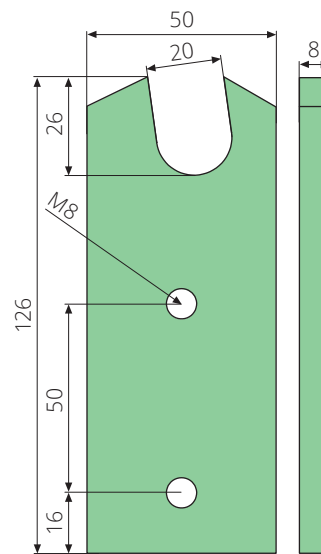
466 642



466 643



466 640

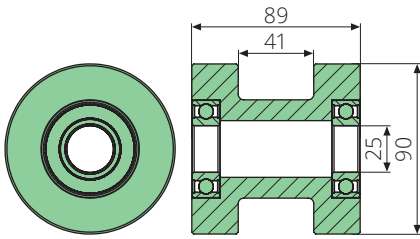


466 641

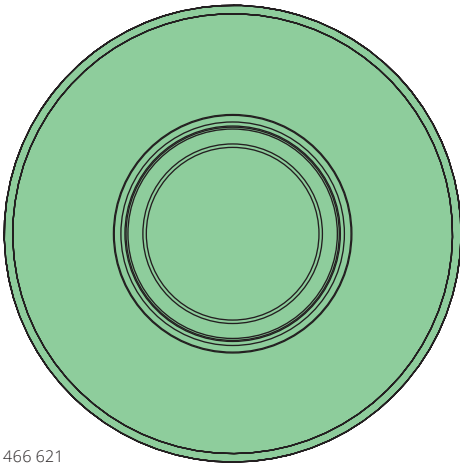
Article no.	Product	Description
466 642	Blade	170x80x10mm, 42CrMo4, hardend, loose
466 643	Blade	170x80x10mm, 42CrMo4, hardend, fixed
466 640	Blade	126x50x8mm, 42CrMo4, hardend, loose
466 641	Blade	126x50x8mm, 42CrMo4, hardend, fixed

Type MACPRESSE EUROPA

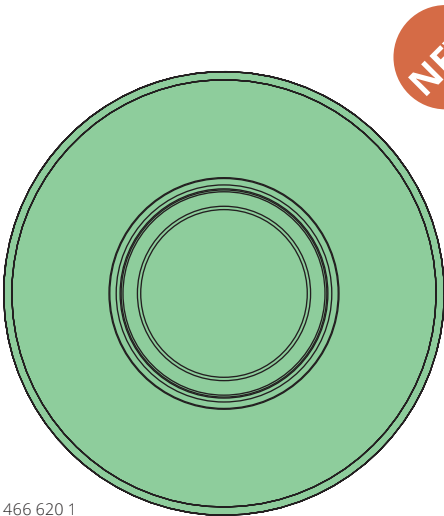
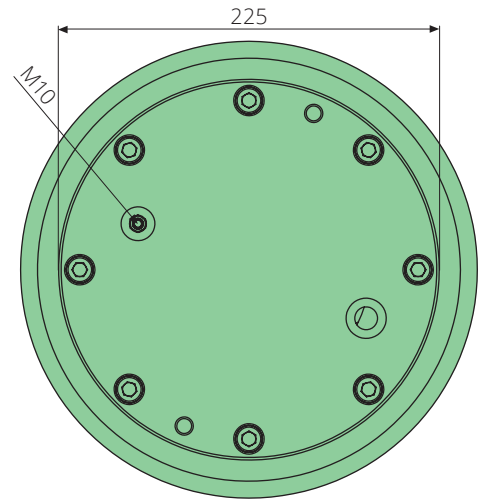
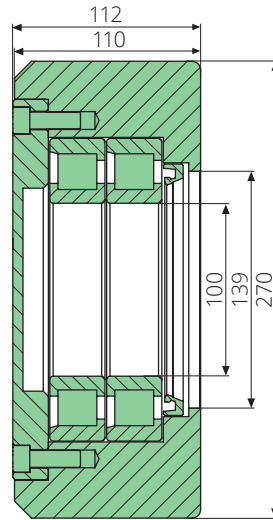
Type MACPRESSE EUROPA



466 622

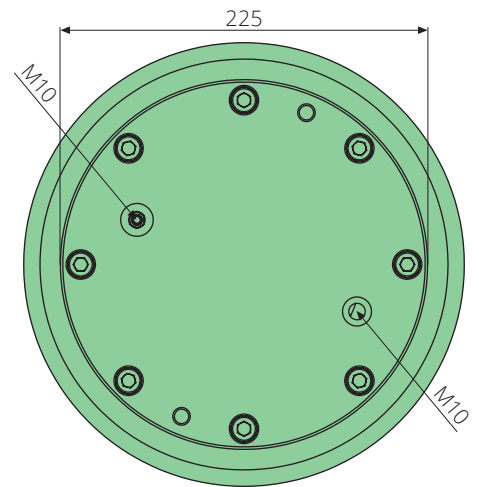
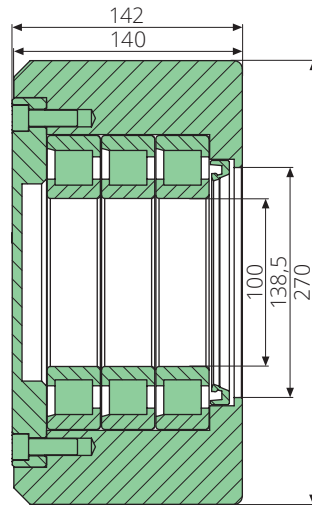


466 621



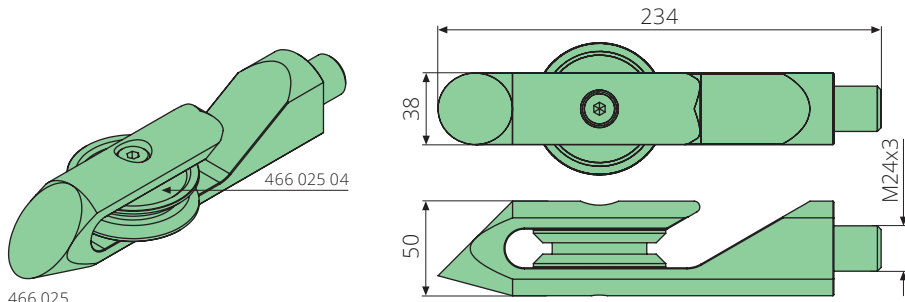
466 620 1

NEW



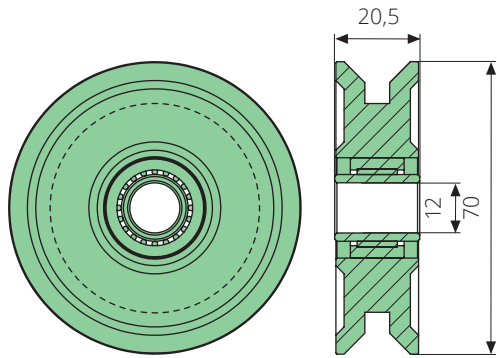
Article no.	Product	Description
466 622	Track roller complete	25-90-89mm, S355J2, with 2 Bearings 6205-2RS, for wire thrust
466 621	Track roller complete	100-270-110mm, 41CrAlMo7, with bearings, sealing ring, grease fitting & screws
466 620 1	Track roller complete	100-270-140mm, 41CrAlMo7, 3 bearings, 2 grease fittings M10

Type PRESONA

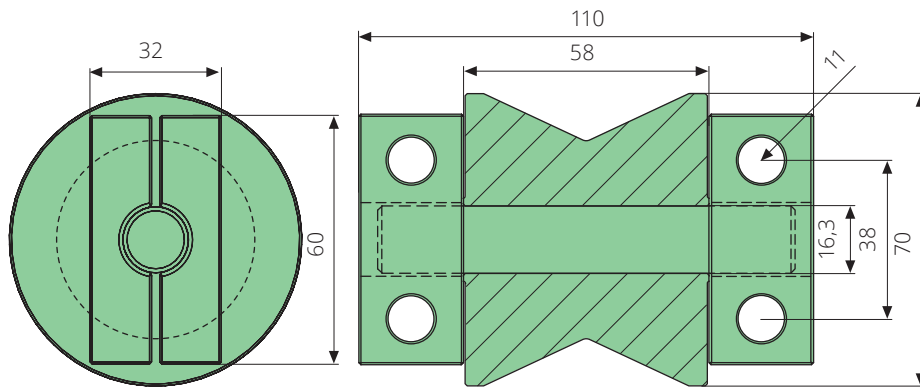


466 025

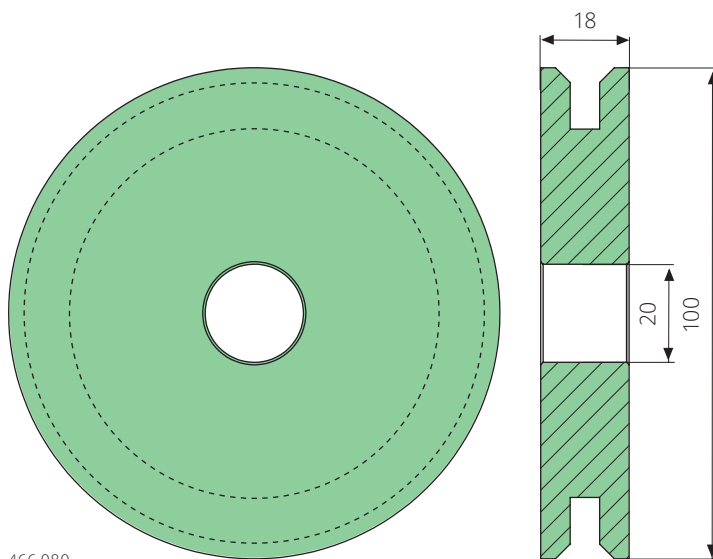
Article no.	Product	Description
466 025	Wire drawing needle complete	50x234mm, galvanized, with wire guide roller 466 025 04



466 025 04

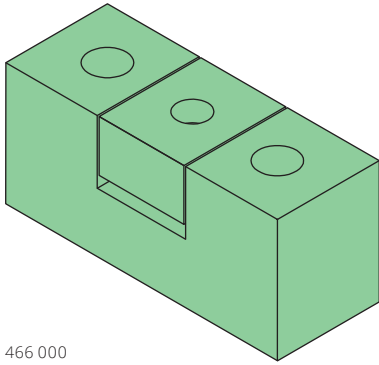


466 045

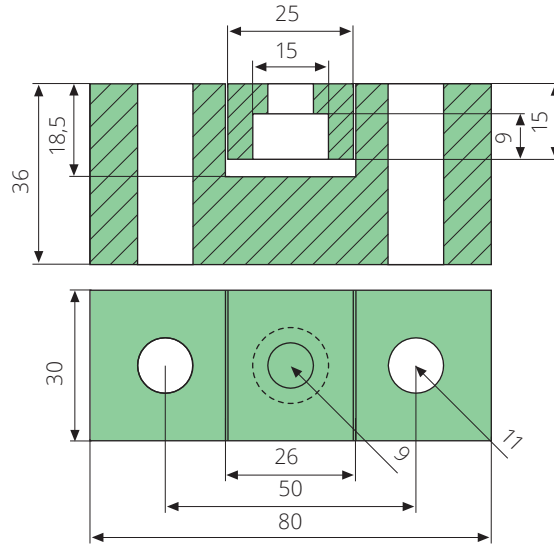


466 080

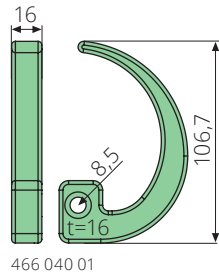
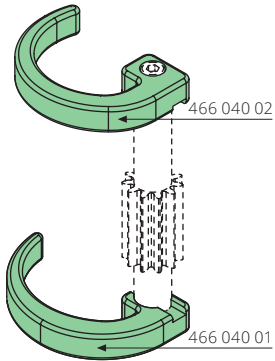
Article no.	Product	Description
466 025 04	Wire guide roller	12-70-20,5mm, 42CrMo4, hardened, with needle bearing & bushing
466 045	Wire guide roller	16,3-70-59mm, C45, hardened, with bearing & bolt
466 080	Wire guide roller	20-100-18mm, PA6



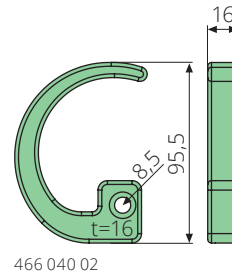
466 000



Article no.	Product	Description
466 000	Wire guide	80x36mm, hardened



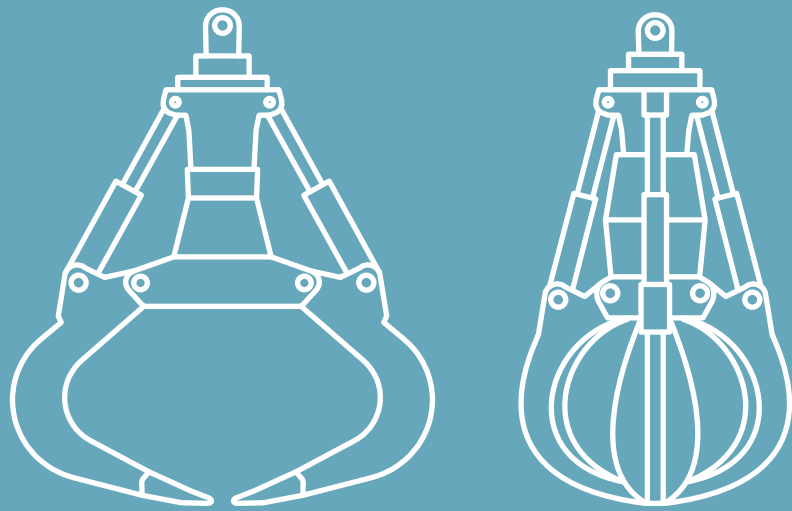
466 040 01



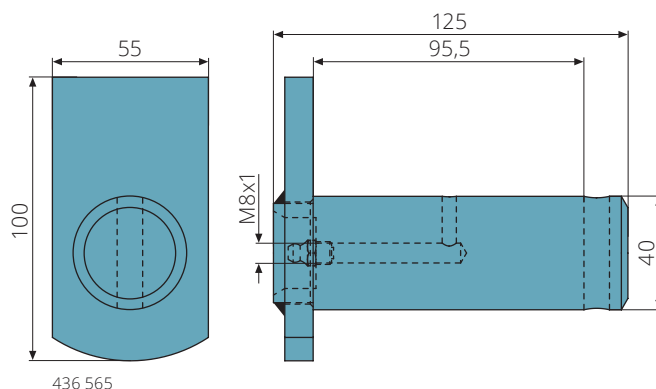
466 040 02

Article no.	Product	Description
466 040 01	Twisting hook	16x106,7mm, S355J2
466 040 02	Twisting hook	16x95,5mm, S355J2



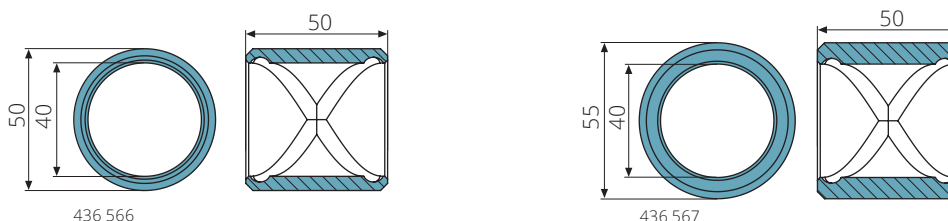


Components for Grabs



436 565

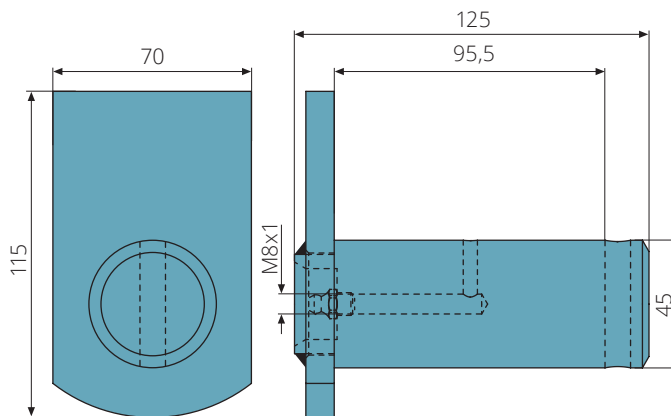
Article no.	Product	Description
436 565	Bolt	40x125mm, for grab bucket from 600mm bucket width, induction hardened



436 566

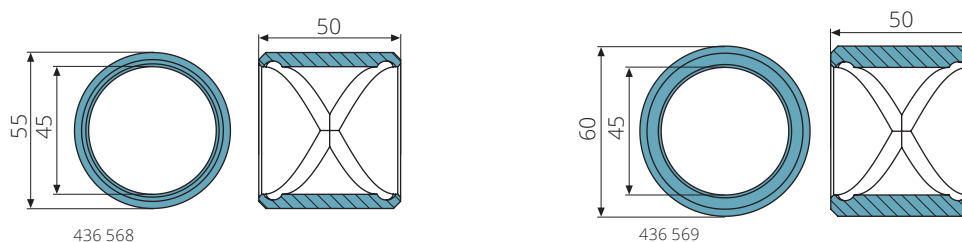
436 567

Article no.	Product	Description
436 566	Bushing	40-50-50mm, sleeve bearing for bolt 436 565, steel, hardened
436 567	Bushing	40-55-50mm, sleeve bearing for bolt 436 565, oversized, steel, hardened



436 563

Article no.	Product	Description
436 563	Bolt	45x125mm, for grab bucket up to 600mm bucket width, induction hardened

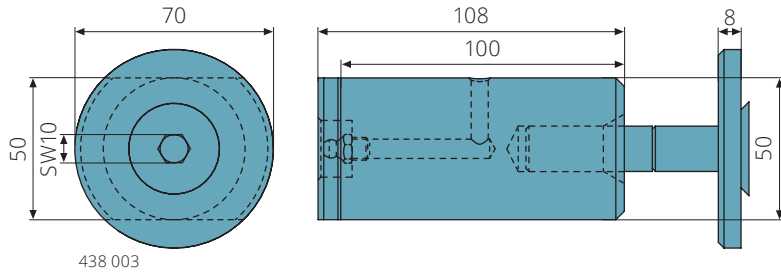


436 568

436 569

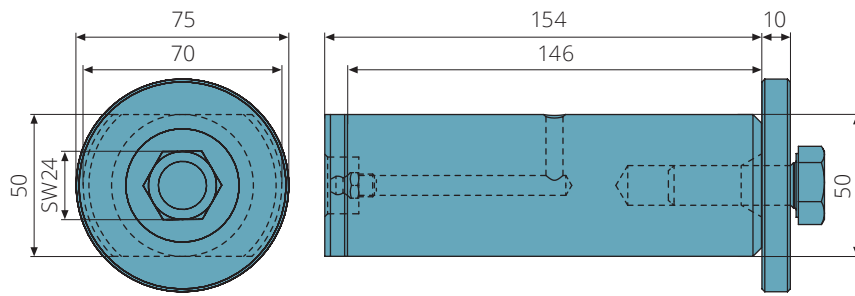
Article no.	Product	Description
436 568	Bushing	45-55-50mm, sleeve bearing for bolt 436 563, steel, hardened
436 569	Bushing	45-60-50mm, sleeve bearing for bolt 436 563, oversized, steel, hardened

Type HGT



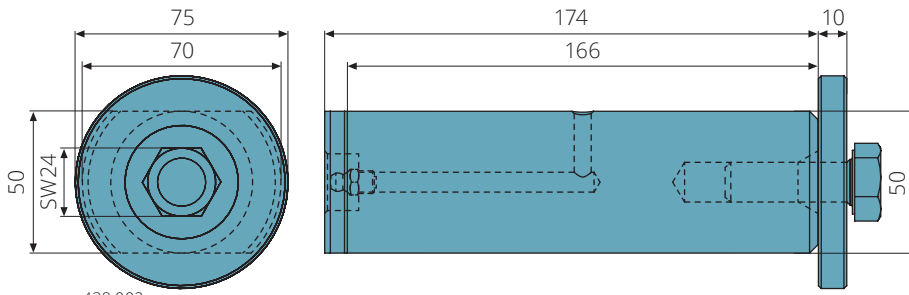
438 003

Article no.	Product	Description
438 003	Bolt	50x108mm, with washer & screw, hardened



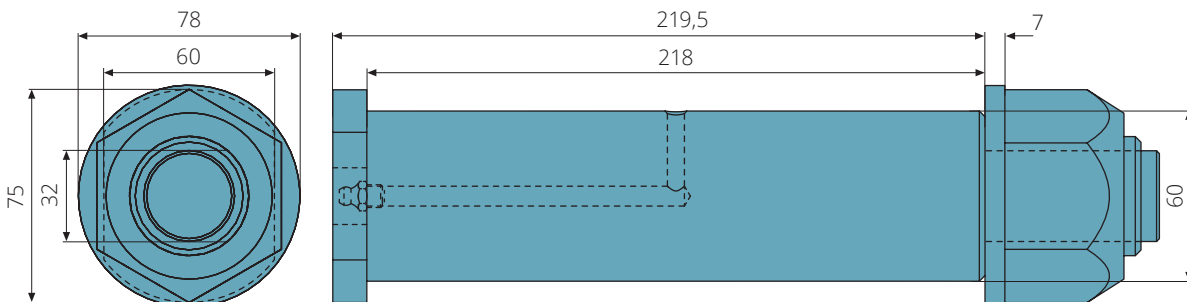
438 001

Article no.	Product	Description
438 001	Bolt	50x154mm, with washer & screw, hardened



438 002

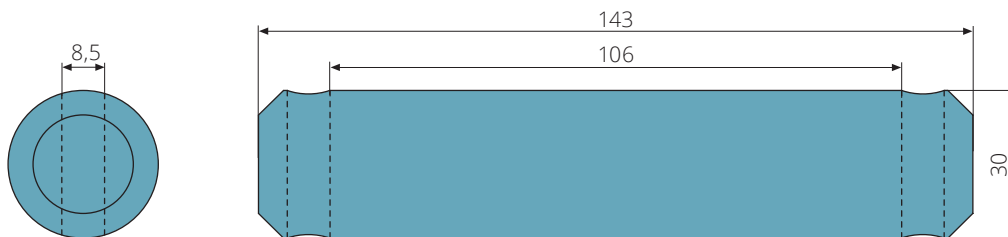
Article no.	Product	Description
438 002	Bolt	50x174mm, with washer & screw, hardened



438 004

Article no.	Product	Description
438 004	Bolt	50x108mm, with washer & screw, hardened

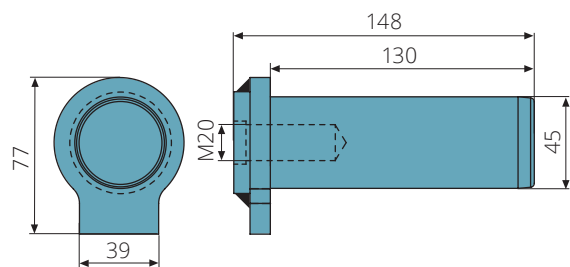
Type KINTEC



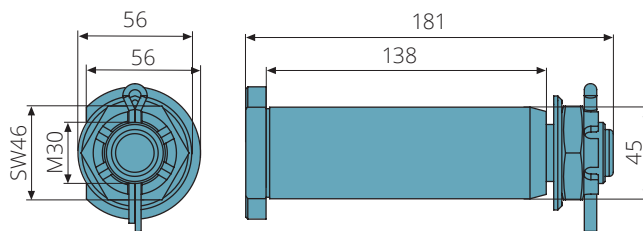
433 200

Article no.	Product	Description
433 200	Bolt	30x143mm

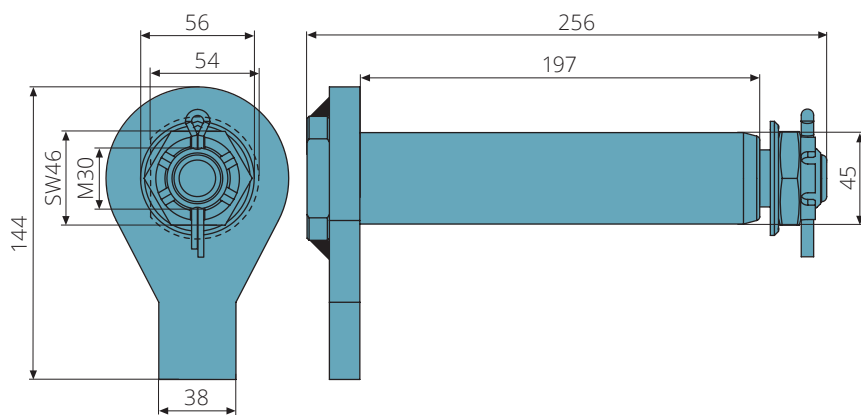
Type LIEBHERR



434 545



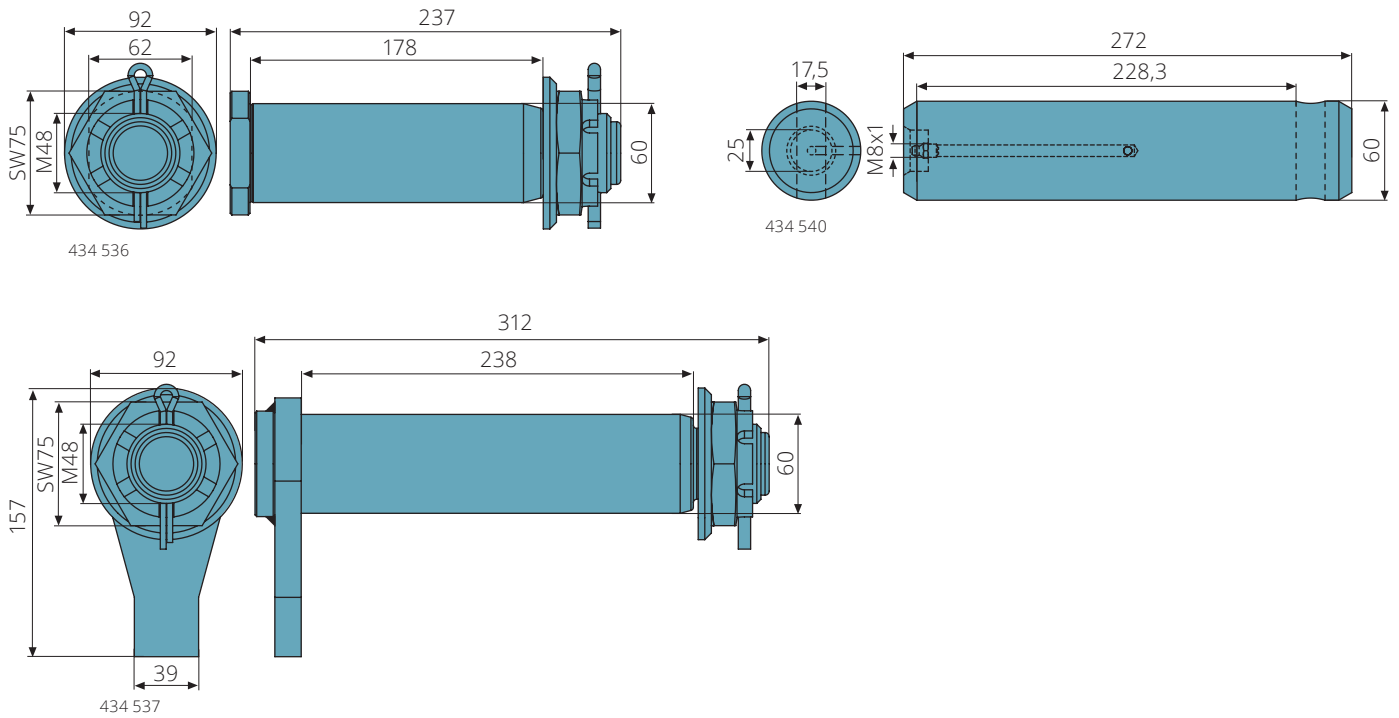
434 543



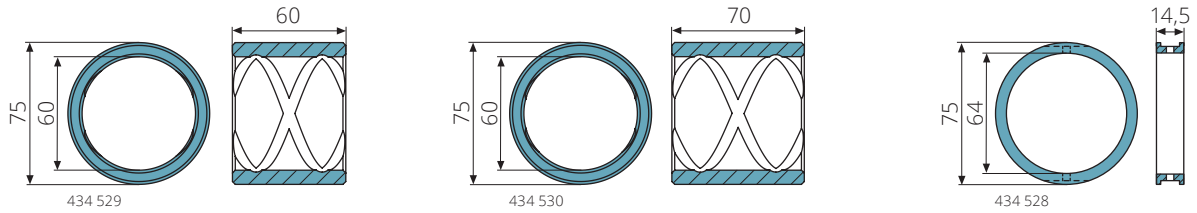
434 544

Article no.	Product	Description
434 545	Bolt	45x148mm, upper cylinder bolt, induction hardened
434 543	Bolt	45x181mm, with washer, cotter pin & nut, induction hardened
434 544	Bolt	45x256mm, lower cylinder bolt, with washer, cotter pin & nut, induction hardened

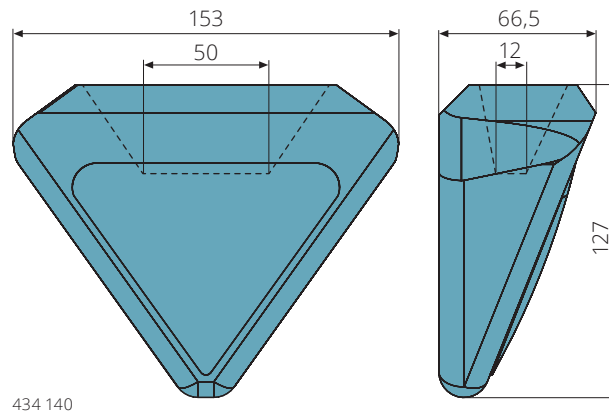
Type LIEBHERR



Article no.	Product	Description
434 536	Bolt	60x237mm, with washer, cotter pin & nut, induction hardened
434 540	Bolt	60x272mm, for grab arm, induction hardened
434 537	Bolt	60x312mm, for grab arm, with washer, cotter pin & nut, induction hardened

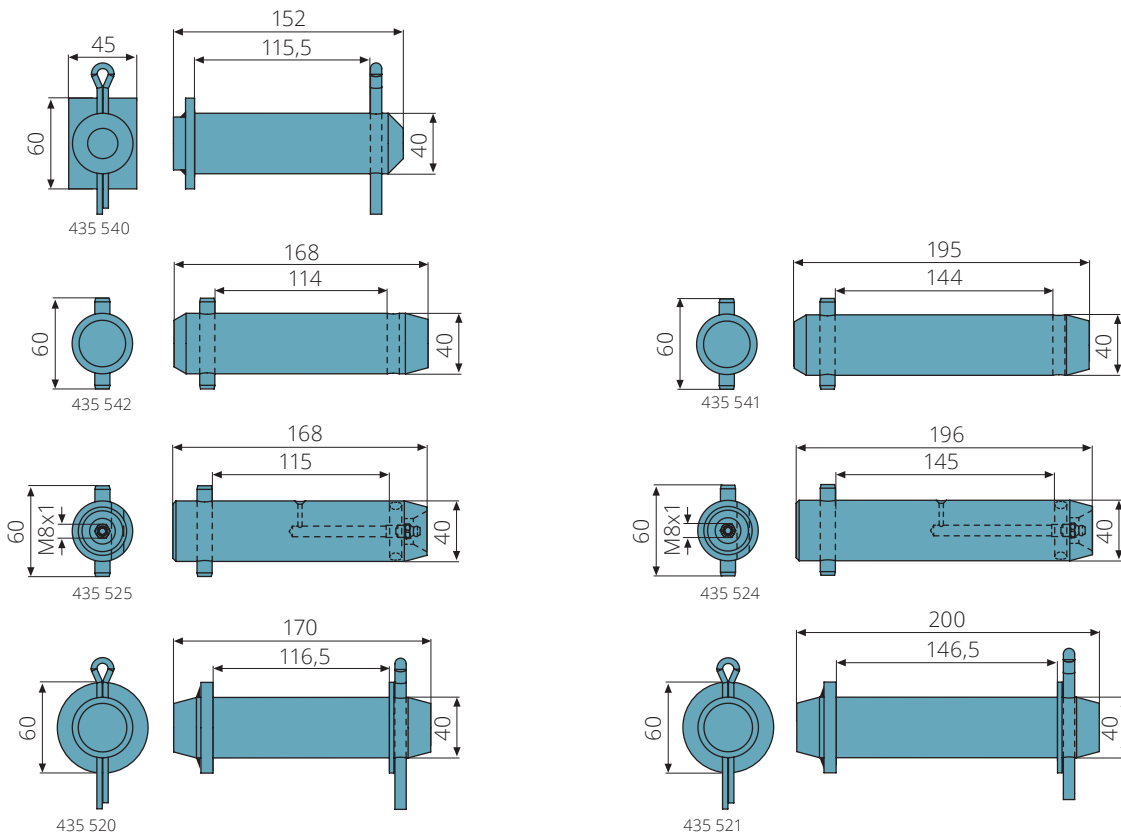


Article no.	Product	Description
434 529	Bushing	60-75-60mm, for grab arm, steel, hardened
434 530	Bushing	60-75-70mm, for grab arm, steel, hardened
434 528	Spacer bushing	64-75-14,5mm, for grab arm, steel

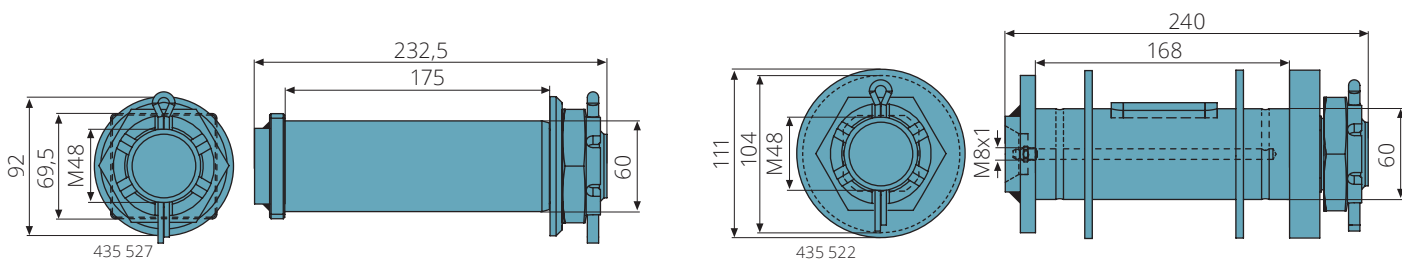


Article no.	Product	Description
434 140	Grab tip	153x127mm, manganese steel

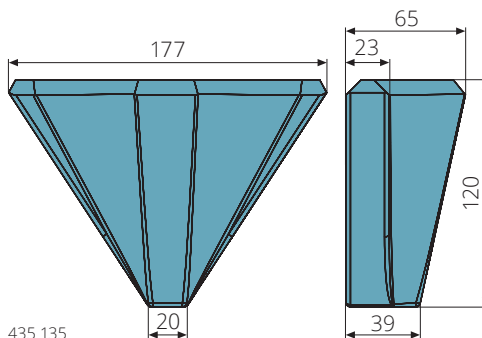
Type TEREX-FUCHS



Article no.	Product	Description
435 540	Bolt	40x152mm, upper cylinder bolt, with cotter pin, induction hardened
435 542	Bolt	40x168mm, upper cylinder bolt, with spring pin, induction hardened
435 525	Bolt	40x168mm, upper cylinder bolt, with spring pin, induction hardened
435 520	Bolt	40x170mm, upper cylinder bolt, with washer, cotter pin & nut, induction hardened
435 541	Bolt	40x195mm, lower cylinder bolt, with spring pin
435 524	Bolt	40x196mm, lower cylinder bolt, with spring pin, induction hardened
435 521	Bolt	40x200mm, lower cylinder bolt, with washer & cotter pin, induction hardened

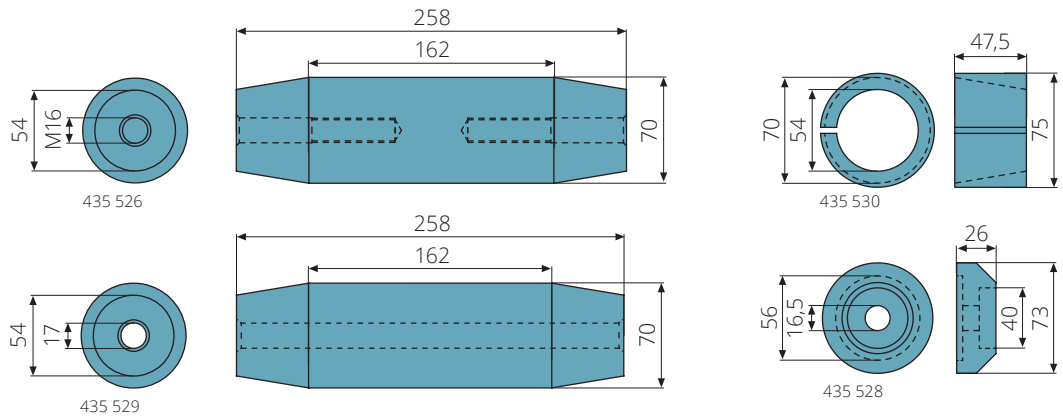


Article no.	Product	Description
435 527	Bolt	60x232,5mm, with nut, Cotter Pin & washer, induction hardened
435 522	Bolt	60x240mm, for grab arm, with washer, cotter pin & nut, induction hardened

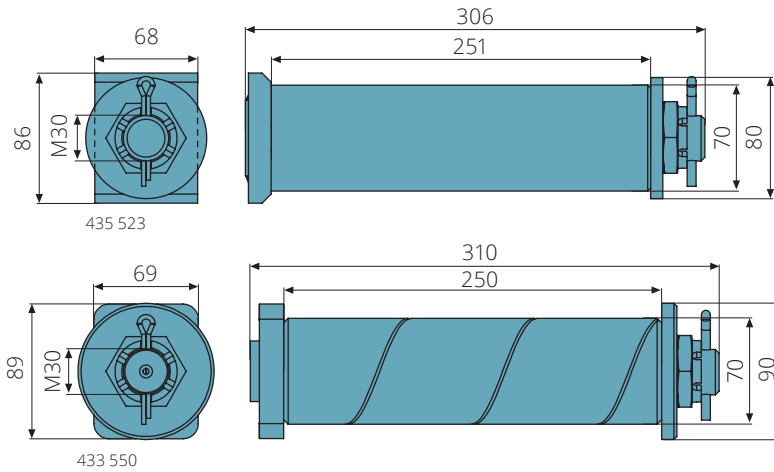


Article no.	Product	Description
435 135	Grab tip	177x120mm, manganese steel

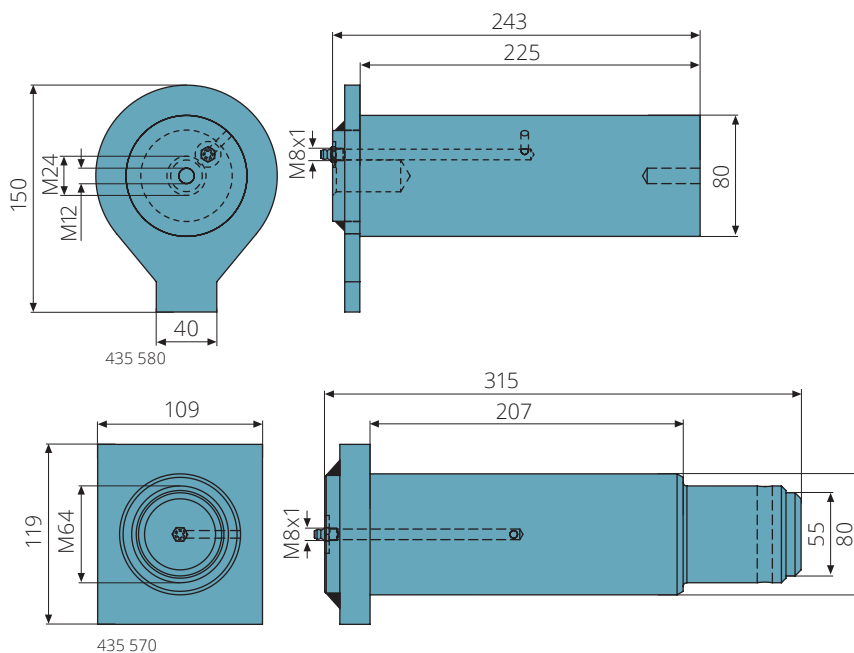
Type TEREX-FUCHS



Article no.	Product	Description
435 526	Bolt	70x258mm, for grab arm, induction hardened
435 529	Bolt	70x258mm, for grab arm, induction hardened, with bore
435 530	Clamp bushing	54/70x75x47,5mm, for bolts 435 526 /-529, 2 needed for one bolt, tapered
435 528	Washer	16,5/56-73-26mm, for bolts 435 526 /-529, 2 needed for one bolt

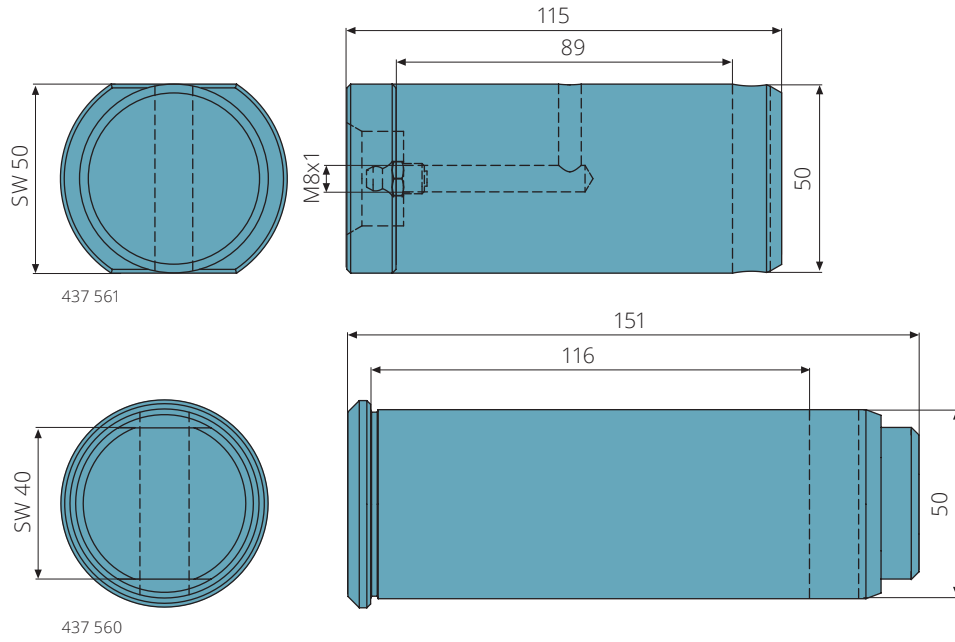


Article no.	Product	Description
435 523	Bolt	70x306mm, for grab arm, with washer, cotter pin & nut, induction hardened
433 550	Bolt	70x310mm, for grab arm, with washer, cotter pin & nut, induction hardened

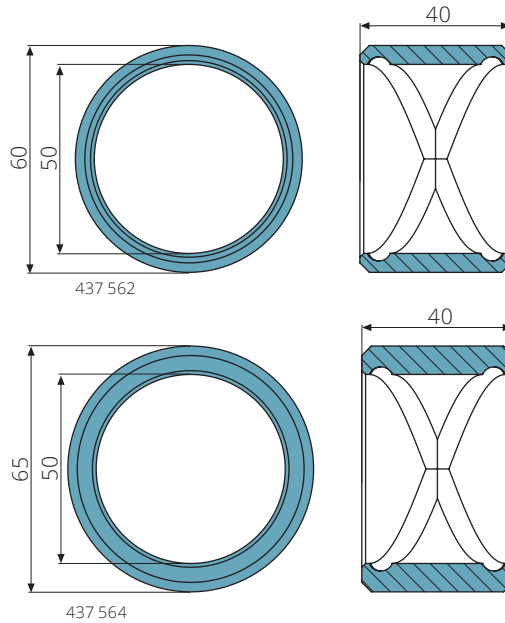


Article no.	Product	Dimensions	Description
435 580	Bolt	80x243mm	for lift & dipper stick cylinder, galvanized, induction hardened, OEM Nr. 0030506101
435 570	Bolt	80x315mm	for lift & dipper stick cylinder, galvanized, induction hardened, OEM Nr. 0030607008

Type TEREX-O&K

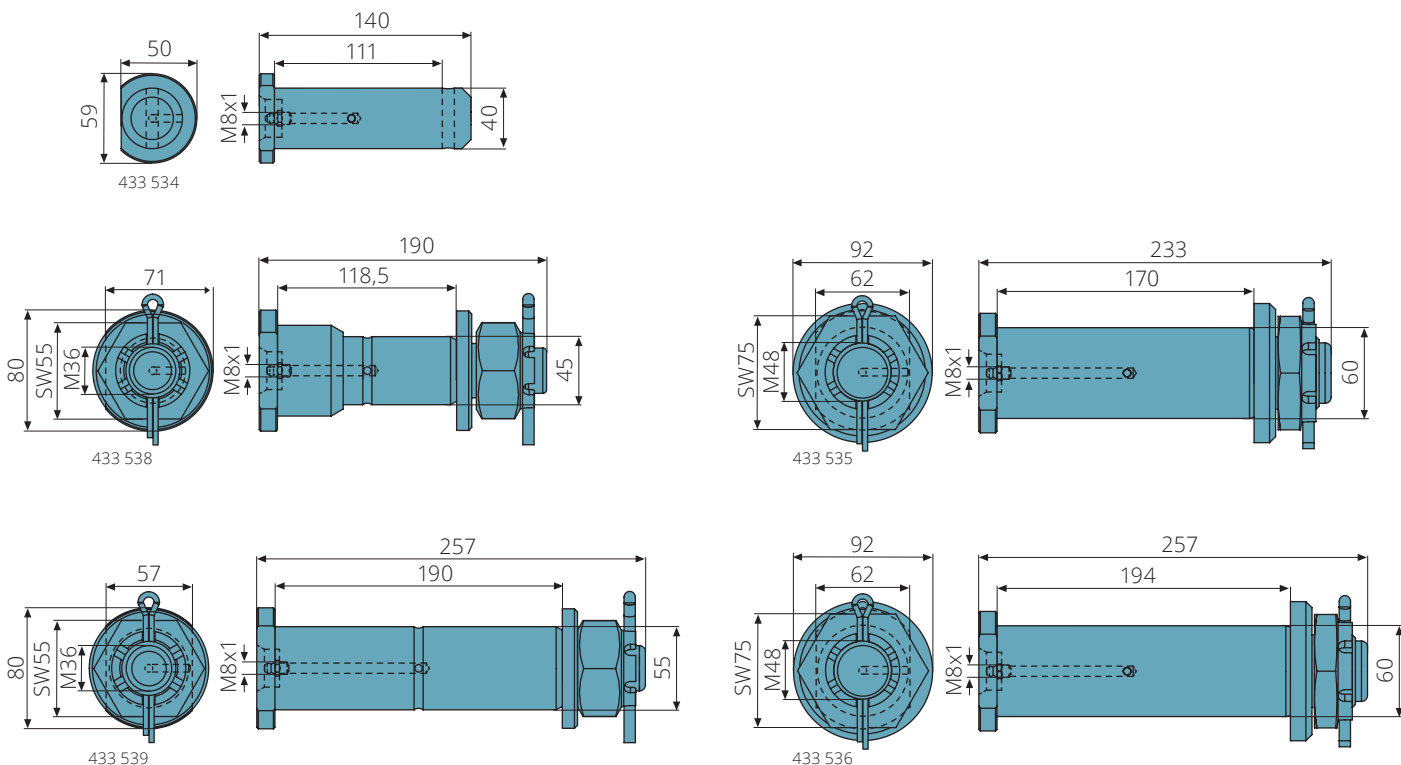


Article no.	Product	Description
437 561	Bolt	50x115mm, for KZA grab bucket & locking triangle without ejector, induction hardened
437 560	Bolt	50x151mm, for KZA grab bucket, induction hardened



Article no.	Product	Description
437 562	Bushing	50-60-40mm, for KZA grab bucket, steel, hardened
437 564	Bushing	50-65-40mm, for KZA grab bucket, oversized, steel, hardened

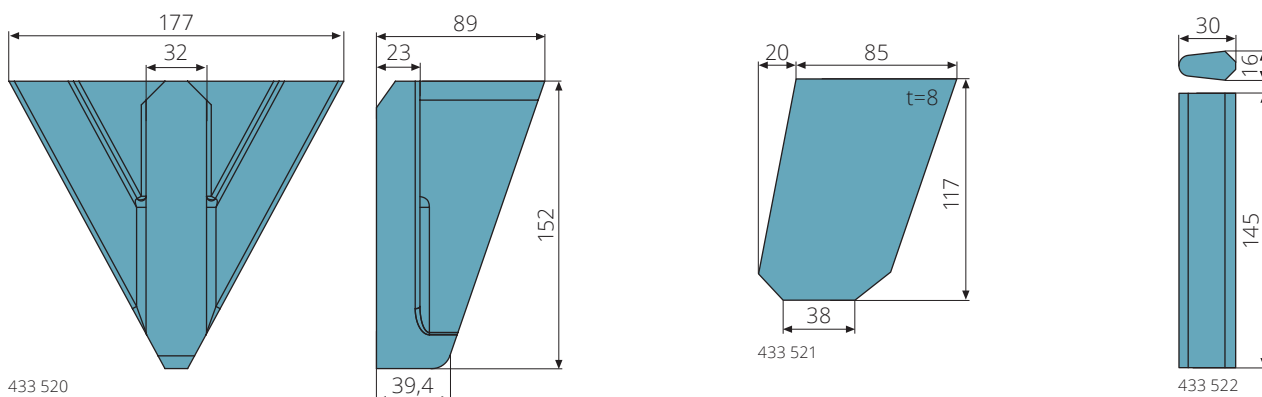
Type SBL



Article no.	Product	Description
433 534	Bolt	40x140mm, induction hardened
433 538	Bolt	45x190mm, lower cylinder bolt, with washer, cotter pin & nut, induction hardened
433 539	Bolt	55x257mm, for grab arm, with washer, cotter pin & nut, induction hardened
433 535	Bolt	60x233mm, with washer, cotter pin & nut, induction hardened
433 536	Bolt	60x257mm, with washer, cotter pin & nut, induction hardened

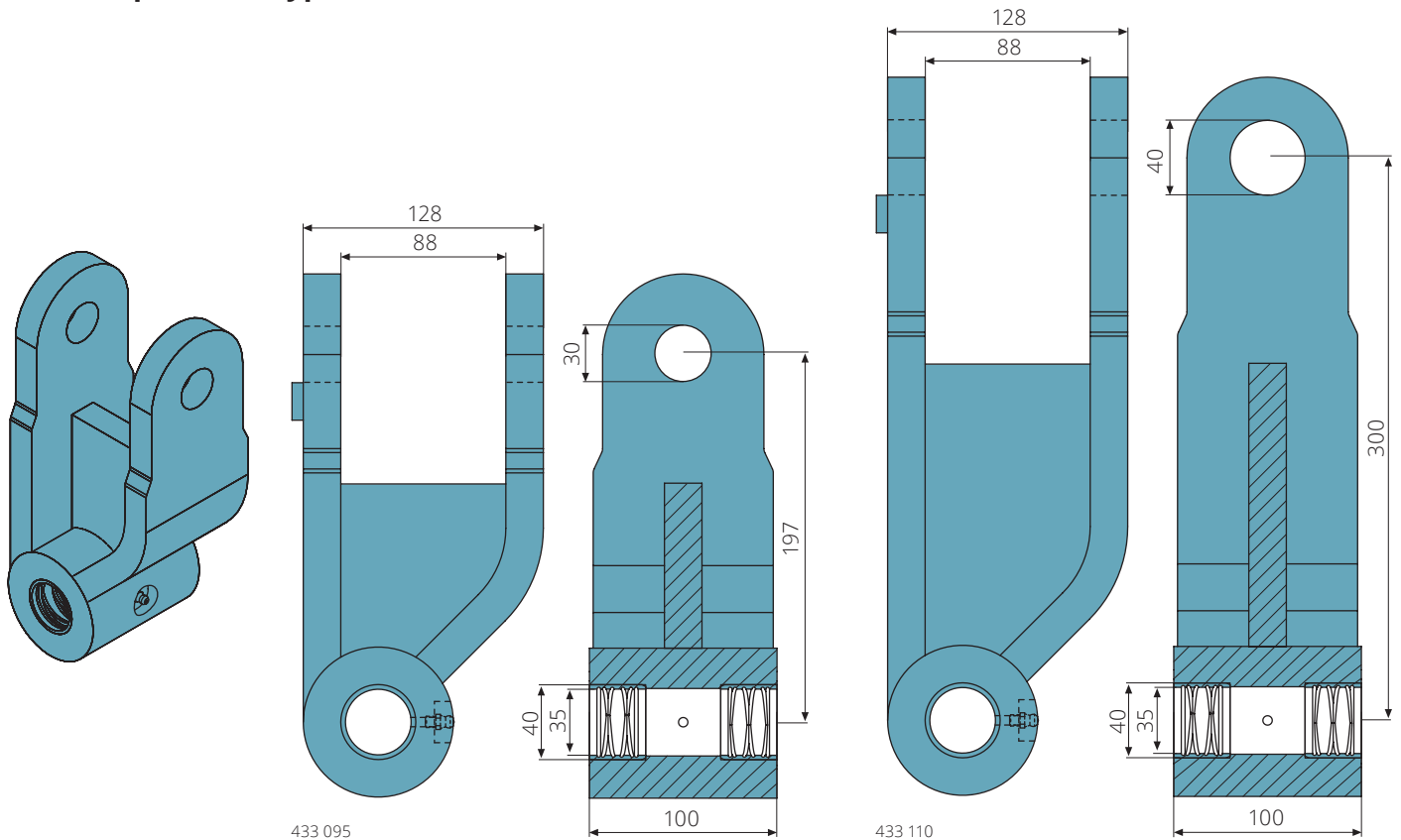


Article no.	Product	Description
433 502	Bushing	45-60-42,5mm, for bolt 433 538, hardened
433 501	Bushing	55-68-61mm, pivot bearing for grab bucket, steel, hardened



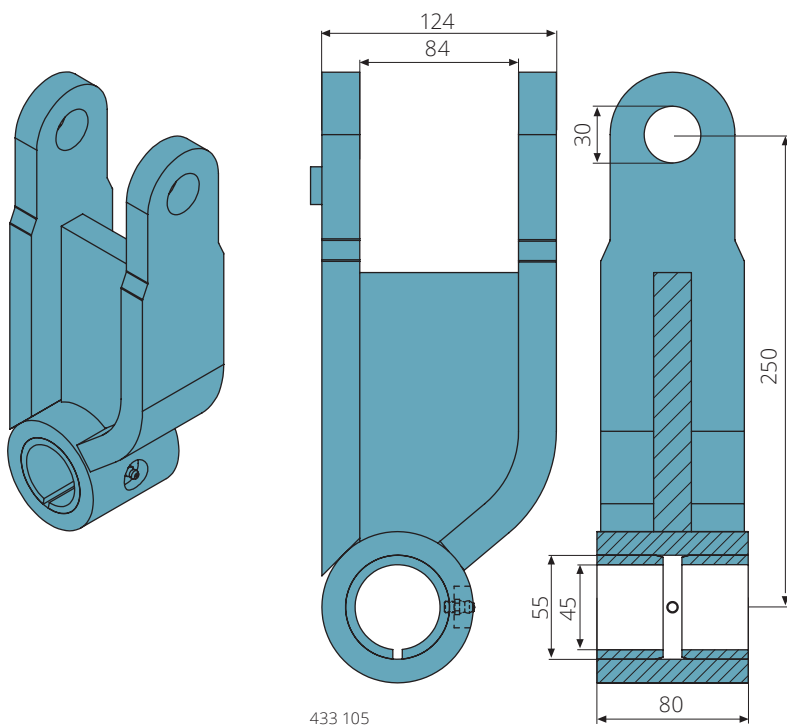
Article no.	Product	Description
433 520	Grab tip	177x152mm, manganese steel
433 521	Repair plate for grab tip	105x117mm, HARDOX 400
433 522	Repair bar for grab tip	30x145mm, HARDOX 400

Grab suspensions Type PENZ



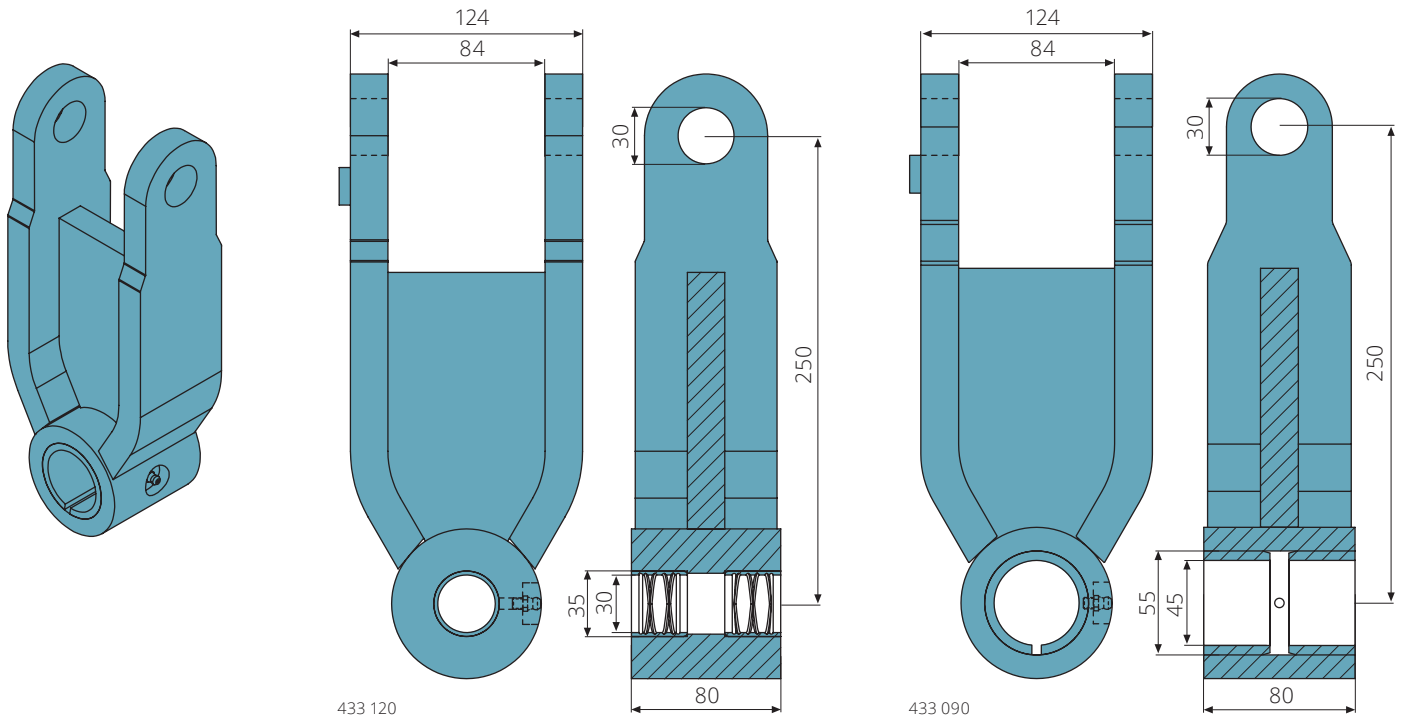
Article no.	Product	Description
433 095	Grab suspension	top d=30mm/bottom d=35mm, for 4 t loading grapple
433 110	Grab suspension	top d=40mm/bottom d=35mm, for 6 t loading grapple

Grab suspensions Type KINSHOFER

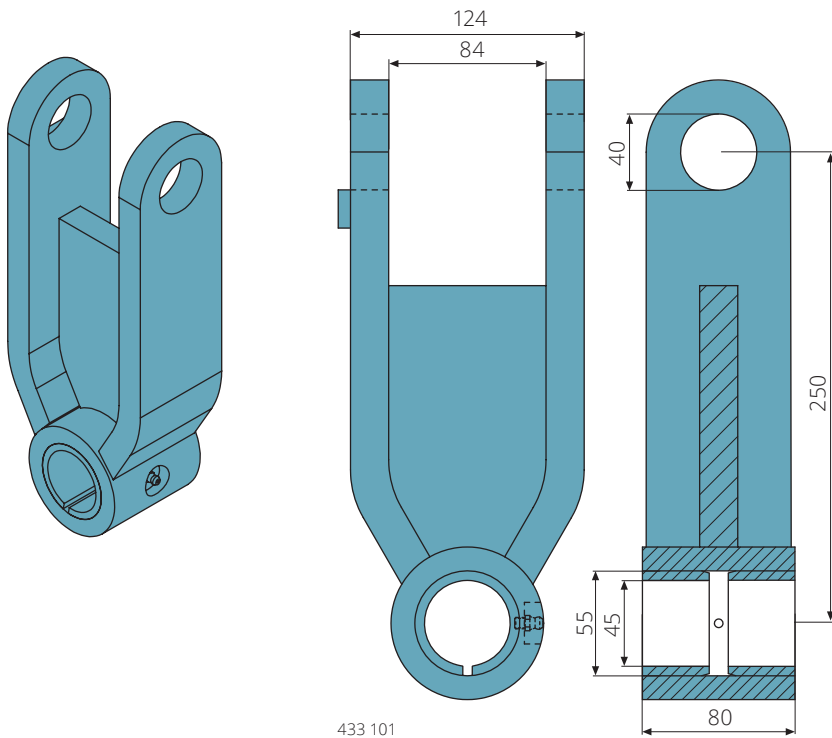


Article no.	Product	Description
433 105	Grab suspension	top d=30mm/bottom d=45mm, for 6 t loading grapple

Grab suspensions Type KINSHOFER / HIAB / LOCKLIFT / JOHNSERED

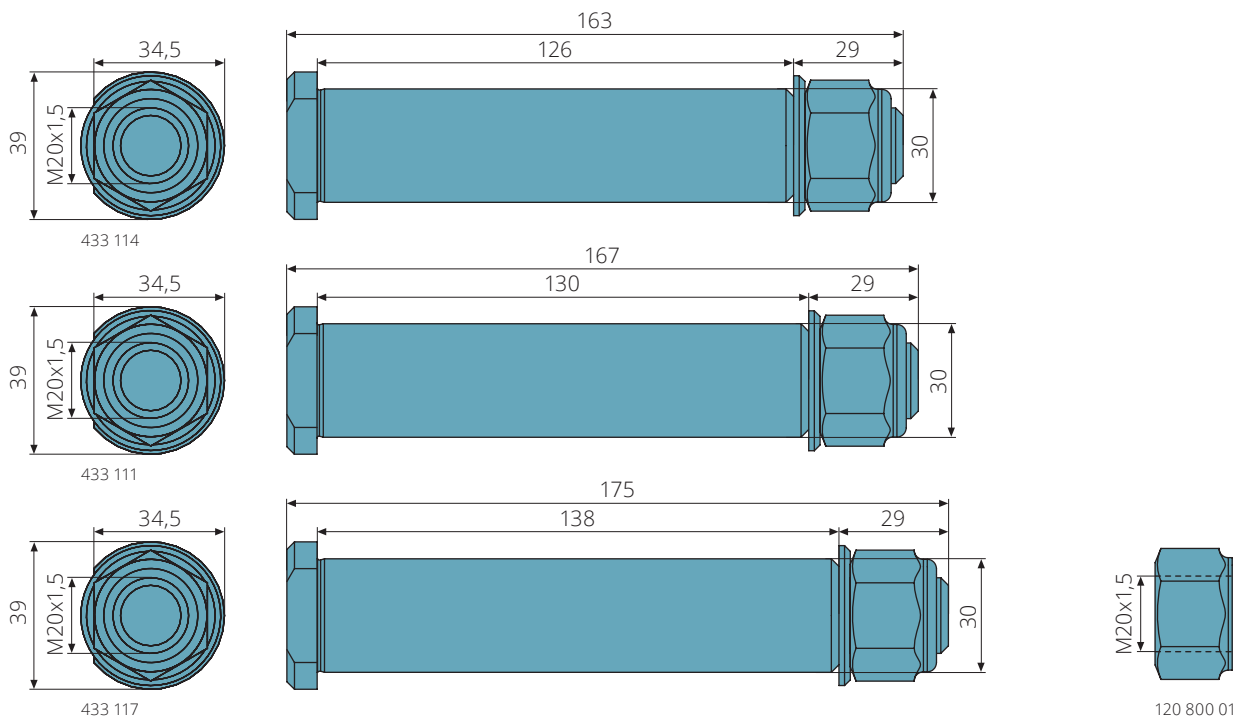


Article no.	Product	Description
433 120	Grab suspension	top d=30mm/bottom d=30mm, for 4 t loading grapple
433 090	Grab suspension	top d=30mm/bottom d=45mm, for 4 t loading grapple

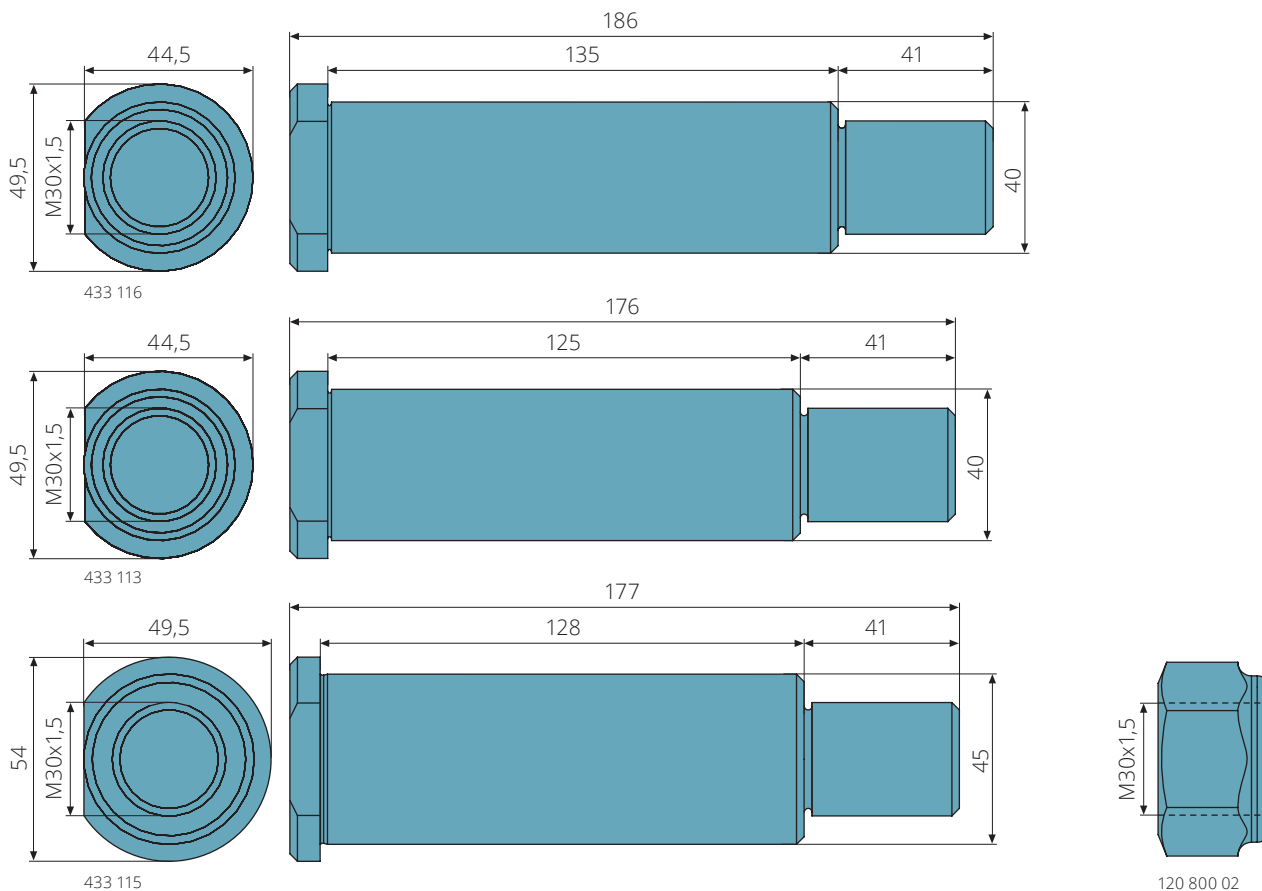


Article no.	Product	Description
433 101	Grab suspension	top d=40mm/bottom d=45mm, for 6 t loading grapple

Bolts for grab suspensions

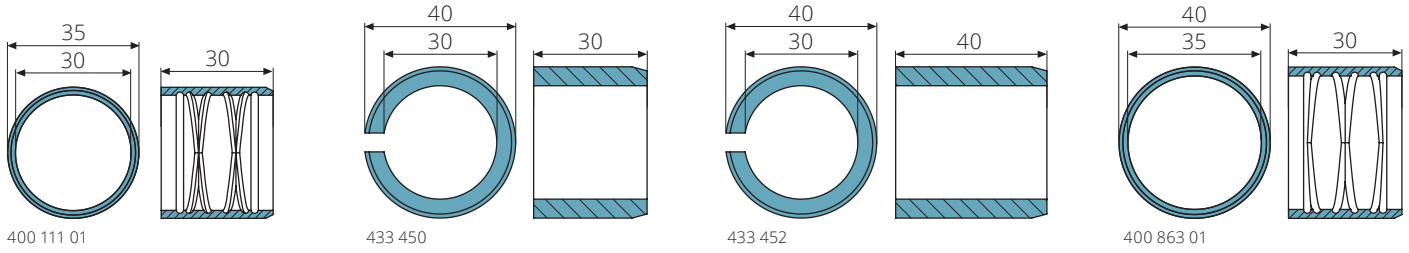


Article no.	Product	Description
433 114	Bolt	30x163mm, top, for 433 120 /-090, with nut & washer, hardened
433 111	Bolt	30x167mm, top, for 433 095, with nut & washer, hardened
433 117	Bolt	30x175mm, bottom, for 433 120, with nut & washer, hardened
120 800 01	Nut	M20x1,5mm, galvanized, self-locking, DIN 985

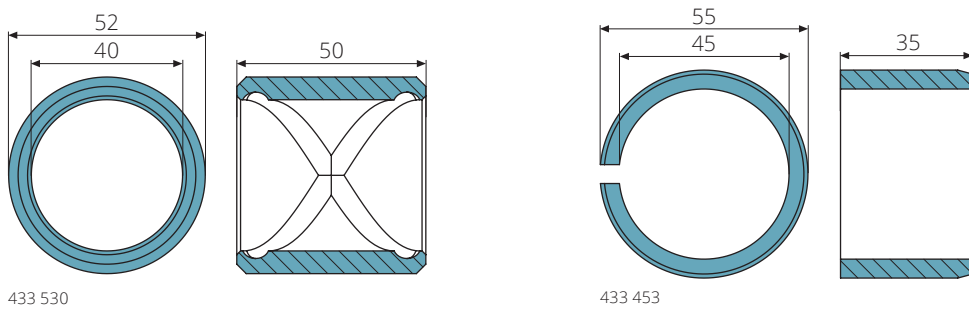


Article no.	Product	Description
433 116	Bolt	40x186mm, hardened
433 113	Bolt	40x176mm, top, for 433 101, hardened
433 115	Bolt	45x177mm, bottom, for 433 101 /-090, hardened
120 800 02	Nut	M30x1,5mm, galvanized, self-locking, DIN 985

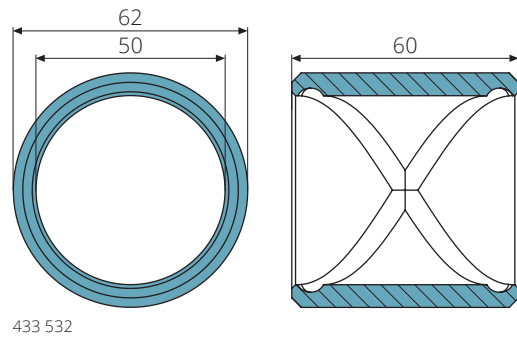
Bushings for grab suspensions



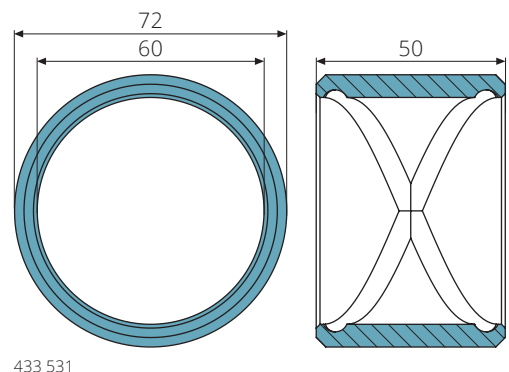
Article no.	Product	Description
400 111 01	Brass bushing	30(+0,75)-35-30mm
433 450	Clamp bushing	30-40-30mm, for grab attachment 433 120
433 452	Clamp bushing	30-40-40mm
400 863 01	Brass bushing	35(+0,75)-40-30mm



Article no.	Product	Description
433 530	Bushing	40-52-50mm
433 453	Clamp bushing	45-55-35mm, for grab attachment 433 090 /-101



Article no.	Product	Description
433 532	Bushing	50-62-60mm



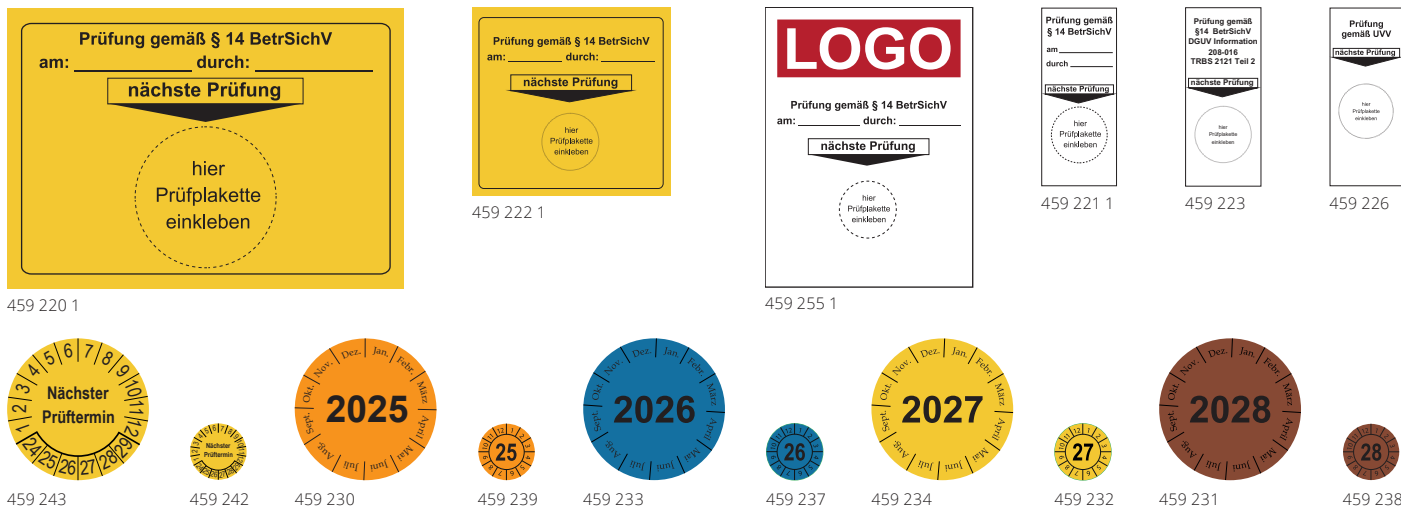
Article no.	Product	Description
433 531	Bushing	60-72-50mm





Stickers & Chevron Markings

Stickers



Article no.	Product	Description
459 220 1	PVC base sticker "Prüfung gemäß § 14 BetrSichV"	210x150mm, 2 stickers/sheet
459 222 1	PVC base sticker "Prüfung gemäß § 14 BetrSichV"	105x95mm, 6 stickers/sheet
459 255 1	PVC base sticker "Prüfung gemäß § 14 BetrSichV" with Logo	110x148mm, 4 stickers/sheet
459 221 1	PVC base sticker "Prüfung gemäß § 14 BetrSichV"	40x95mm, 15 stickers/sheet
459 223	PVC sticker „Prüfung gemäß BetrSichV DGVU Information 208-016“	40x95mm, 15 stickers/sheet
459 226	PVC base sticker „nächste Prüfung gemäß UVV“	40x95mm, 15 stickers/sheet
459 243	PVC inspection sticker perennial	D=75mm, 6 stickers/sheets
459 242	PVC inspection sticker perennial	D=30mm, 48 stickers/sheet
459 230	PVC inspection sticker „2025“	D=75mm, 6 stickers/sheet
459 239	PVC inspection sticker „2025“	D=30mm, 48 stickers/sheet
459 233	PVC inspection sticker „2026“	D=75mm, 6 stickers/sheet
459 237	PVC inspection sticker „2026“	D=30mm, 48 stickers/sheet
459 234	PVC inspection sticker „2027“	D=75mm, 6 stickers/sheet
459 232	PVC inspection sticker „2027“	D=30mm, 48 stickers/sheet
459 231	PVC inspection sticker „2028“	D=75mm, 6 stickers/sheet
459 238	PVC inspection sticker „2028“	D=30mm, 48 stickers/sheet

! ACHTUNG !

- Vor Inbetriebnahme die Sicherheitshinweise und die vollständige Betriebsanweisung/Betriebsanleitung lesen!
- Bedienung nur durch Personen mit gültiger Unterweisung!
- Vor Inbetriebnahme Sicht- und Funktionskontrolle durchführen, bei Auffälligkeiten am Behälter oder Deckel den Container **nicht** beladen, entladen oder transportieren!
- Um Gefahren, Unfälle, auch mit Todesfolge zu vermeiden, sind zwingend nachstehende Punkte zu prüfen. Nur wenn u. a. alle folgenden Fragen mit ja beantwortet werden können darf der Behälter genutzt/transportiert werden!

Schutzausrüstung

• Ist eine geeignete persönliche Schutzausrüstung vollständig & unbeschädigt für den sofortigen Einsatz vorhanden?

Ladung

- Ist die Ladung gleichmäßig im Behälter verteilt?
- Schaut keine Ladung über den Behälterrand hinaus?
- Ist die Ladung für den Transport gesichert gegen Verrutschen, Umfallen und Verlust?
- Kann das Ladegerät beim Kippvorgang ungehindert hinausgefahren?
- Ist das zulässige Gesamtgewicht des Behälters nicht überschritten? Siehe Typenschild!

Abrollbehälter

- Hat der Behälter ein lesbares Typenschild/Kennzeichnung?
- Erfolgte die nach §14 BetrSichV erforderliche Überprüfung/Siehe Prüflakette!
- Sind die Aufnahme- & Entleerungsvorrichtungen, Sicherungselemente, Türverschlüsse sowie Rollen im ordnungsgemäßen Zustand?
- Sind Deckel, Klappen & Hecktüren des Containers verschlossen, verriegelt & dicht?
- Sind Platten bzw. Netze vollständig, unbeschädigt & ordnungsgemäß befestigt?

Fahrzeug

- Ist eine Unterweisung gemäß BetrSichV erfolgt?
- Ist eine Bedienungsanleitung & Betriebsanweisung im Fahrzeug vorhanden?
- Haben die Aufnahmeseite eine unbeschädigte Sicherungseinrichtung?
- Hat die Kippfunktion eine funktionstüchtige Sicherung gegen das Ausahren des Kipplagers?
- Ist der Behälter gegen Überschieben gesichert?
- Sind alle Vorschriften über die sachgerechte Ladung & Sicherung gemäß der StVO eingehalten?
- Ist die ggf. vorhandene Leiter/Trittaufe geeignet und in ordnungsgemäßen Zustand?

Ladeort

- Ist der Boden eben? Maximal 5% Gefälle!
- Ist der Untergrund unter dem Fahrzeug tragfähig & gibt auch nicht nach?
- Sind keine Personen, insbesondere Kinder oder auch Tiere in der Nähe?
- Ist der Ladeort ausreichend beleuchtet?

Vor der Abfahrt

- Ist das Gesamtgewicht gleichmäßig auf die Achsen verteilt?
- Würde das zulässige Gesamtgewicht nicht überschritten?
- Ist der Behälter auf dem Fahrzeug ordnungsgemäß verriegelt?
- Ist die Ladung entsprechend ihrer Beschaffenheit ggf. mittels Deckel/Netz/Plane/Zurrutten gegen Verlust gesichert?
- Sind Behälter und Deckel gegen unbeschädigten Öffnen gesichert?
- Ist der Unterfahrschutz ausgefahren (bei hinten überstehenden Behältern)?
- Sind alle Vorschriften über die sachgerechte Ladung & Sicherung gemäß der StVO eingehalten?

Vor dem Abrollen des Behälters

- Ist der Entladeort ausreichend beleuchtet?
- Ist der Boden eben? Maximal 5% Gefälle! Ist der Untergrund unter & hinter dem Fahrzeug tragfähig & gibt nicht nach?
- Sind keine Personen, insbesondere Kinder oder auch Tiere in der Nähe?

Vor dem Kippvorgang

- Kann das Fahrzeug nicht umkippen, z. B. durch verrutschte Ladung, bzw. die Ladung haftet am Behälterboden, oder den Seitenwänden?
- Ist der Gefahrbereich hinter dem Fahrzeug frei?
- Sind alle vier Ketten an der Mulde eingetrag?
- Sind die Abstützungen entsprechend herausgefahren und wenn nötig unterbaut?
- Sieht das Fahrzeug waagrecht?
- Kann das Einrasten der Kippklappen in das Kipplager ungehindert beobachtet werden?
- Ist der Boden eben? Maximal 5% Gefälle & der Untergrund unter & hinter dem Fahrzeug tragfähig & gibt nicht nach?
- Sind keine Personen, insbesondere Kinder oder auch Tiere in der Nähe?

Article no.	Product	Description
459 240 1	PVC sticker "Warnhinweise für Abrollcontainer"	210x297mm
459 241 2	PVC sticker "Warnhinweise für Absetzcontainer"	210x297mm
459 281 1	PVC sticker "Warnhinweise für Umleerbehälter"	150x210mm, 2 stickers/sheet

! ACHTUNG !

- Vor Inbetriebnahme die Sicherheitshinweise und die vollständige Betriebsanweisung/Betriebsanleitung lesen!
- Bedienung nur durch Personen mit gültiger Unterweisung!
- Vor Inbetriebnahme Sicht- und Funktionskontrolle durchführen, bei Auffälligkeiten am Behälter oder Deckel den Container **nicht** beladen, entladen oder transportieren!
- Um Gefahren, Unfälle, auch mit Todesfolge zu vermeiden, sind zwingend nachstehende Punkte zu prüfen. Nur wenn u. a. alle folgenden Fragen mit ja beantwortet werden können darf der Behälter genutzt/transportiert werden!

Schutzausrüstung

• Ist eine geeignete persönliche Schutzausrüstung vollständig & unbeschädigt für den sofortigen Einsatz vorhanden?

Ladung

- Ist die Ladung gleichmäßig im Behälter verteilt?
- Schaut keine Ladung über den Behälterrand hinaus?
- Ist die Ladung für den Transport gesichert gegen Verrutschen, Umfallen und Verlust?
- Kann das Ladegerät beim Kippvorgang ungehindert hinausgefahren?
- Ist das zulässige Gesamtgewicht des Behälters nicht überschritten? Siehe Typenschild!

Absetzbehälter

- Hat der Behälter ein lesbares Typenschild/Kennzeichnung?
- Erfolgte die nach §14 BetrSichV erforderliche Überprüfung/Siehe Prüflakette!
- Sind die Aufnahme- & Entleerungsvorrichtungen, Sicherungselemente, Türverschlüsse sowie Rollen im ordnungsgemäßen Zustand?
- Sind Deckel, Klappen & Hecktüren des Containers verschlossen, verriegelt & dicht?
- Sind Platten bzw. Netze vollständig, unbeschädigt & ordnungsgemäß befestigt?

Fahrzeug

- Ist eine Unterweisung gemäß BetrSichV erfolgt?
- Ist eine Bedienungsanleitung & Betriebsanweisung im Fahrzeug vorhanden?
- Haben die Aufnahmeseite eine unbeschädigte Sicherungseinrichtung?
- Hat die Kippfunktion eine funktionstüchtige Sicherung gegen das Ausahren des Kipplagers?
- Ist der Behälter gegen Überschieben gesichert?
- Sind alle Vorschriften über die sachgerechte Ladung & Sicherung gemäß der StVO eingehalten?
- Ist die ggf. vorhandene Leiter/Trittaufe geeignet und in ordnungsgemäßen Zustand?

Ladeort

- Ist der Boden eben? Maximal 5% Gefälle!
- Ist der Untergrund unter dem Fahrzeug tragfähig & gibt auch nicht nach?
- Sind keine Personen, insbesondere Kinder oder auch Tiere in der Nähe?
- Ist der Ladeort ausreichend beleuchtet?

Vor der Abfahrt

- Ist das Gesamtgewicht gleichmäßig auf die Achsen verteilt?
- Würde das zulässige Gesamtgewicht nicht überschritten?
- Ist der Behälter auf dem Fahrzeug ordnungsgemäß positioniert und verriegelt?
- Zeigt das Kipplager zum Heck des Absetzperfahrzeugs?
- Ist die Ladung entsprechend ihrer Beschaffenheit ggf. mittels Deckel/Netz/Plane/Zurrutten gegen Verlust gesichert?
- Sind alle Vorschriften über die sachgerechte Ladung & Sicherung gemäß der StVO eingehalten?

Vor dem Absetzen des Behälters

- Ist der Entladeort ausreichend beleuchtet?
- Ist der Boden eben? Maximal 5% Gefälle & der Untergrund unter & hinter dem Fahrzeug tragfähig & gibt nicht nach?
- Sind keine Personen, insbesondere Kinder oder auch Tiere in der Nähe?

Vor dem Kippvorgang

- Kann das Fahrzeug nicht umkippen, z. B. durch verrutschte Ladung, bzw. die Ladung haftet am Behälterboden, oder den Seitenwänden?
- Ist der Gefahrbereich hinter dem Fahrzeug frei?
- Sind alle vier Ketten an der Mulde eingetrag?
- Sind die Abstützungen entsprechend herausgefahren und wenn nötig unterbaut?
- Sieht das Fahrzeug waagrecht?
- Kann das Einrasten der Kippklappen in das Kipplager ungehindert beobachtet werden?
- Ist der Boden eben? Maximal 5% Gefälle & der Untergrund unter & hinter dem Fahrzeug tragfähig & gibt nicht nach?
- Sind keine Personen, insbesondere Kinder oder auch Tiere in der Nähe?

Article no.	Product	Description
459 240 1	PVC sticker "Warnhinweise für Abrollcontainer"	210x297mm
459 241 2	PVC sticker "Warnhinweise für Absetzcontainer"	210x297mm
459 281 1	PVC sticker "Warnhinweise für Umleerbehälter"	150x210mm, 2 stickers/sheet

! ACHTUNG !

- Vor Inbetriebnahme die Sicherheitshinweise und die vollständige Betriebsanweisung/Betriebsanleitung lesen!
- Bedienung nur durch Personen mit gültiger Unterweisung!
- Vor Inbetriebnahme Sicht- und Funktionskontrolle durchführen, bei Auffälligkeiten am Behälter oder Deckel den Container **nicht** benutzen!

Schutzausrüstung

Es ist eine vollständige und unbeschädigte persönliche Schutzausrüstung zu tragen die weiterhin den vorliegenden Umwelteinflüssen und der Temperatur entspricht.

Behälter geschlossen halten

Ein unkontrollierter und unbeschädigter Behälter ist für Mensch & Tier eine Unfallgefahr, besonders im öffentlichen Bereich. Des Weiteren ist so auch eine Fremdbefüllung möglich.

Aufstellort

Der Umleerbehälter ist auf einer dafür vorgesehenen, ebenen Stelle standsticher zu platzieren & stets mit allen Radbremsen zu sichern. Zu empfehlen ist ein windgeschützter Ort, der Druck auf die Deckel verhindert.

Beladung

Das Gesamtgewicht darf nicht überschritten werden. Die entsprechenden Daten sind auf dem Typenschild zu finden. Gesamtgewicht = Eigengewicht + Zuladung. Beladung nur bis zur Oberkante des Behälters! Die Deckel müssen mühelos zu schließen sein & bündig umlaufend auf dem Rahmen aufliegen. Mit Volumen- und/oder Gewicht überfüllte Behälter dürfen nicht transportiert werden.

Bedienung

Behälter nur mit zulässigem Material befüllen! Die Deckel haben zum Teil eine Federantriebsfunktion. Je nach Ausführung gibt es die Möglichkeit den Deckel in der Öffnungsstellung zu arretieren. Bei dem Umgang mit dem Behälter, speziell dem Deckel, muss der Bediener achtam sein, da eine Verletzungsgefahr durch Quetschen besteht. Der Behälter darf von Hand nur im leeren Zustand bewegt werden. Eine Bedienung ist ausschließlich von unterwiesenen Personen zulässig. Eine Bedienung unter Einfluss von Alkohol, Drogen oder Medikamenten ist untersagt. Ein mangelhafter Umleerbehälter stellt eine Unfallgefahr da, ist sofort zu kennzeichnen & aus dem Verkehr zu ziehen.

Article no.	Product	Description
459 240 1	PVC sticker "Warnhinweise für Abrollcontainer"	210x297mm
459 241 2	PVC sticker "Warnhinweise für Absetzcontainer"	210x297mm
459 281 1	PVC sticker "Warnhinweise für Umleerbehälter"	150x210mm, 2 stickers/sheet

Stickers according to customer specification on request

Stickers



459 284



459 207



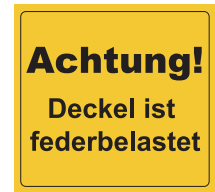
459 202



459 208



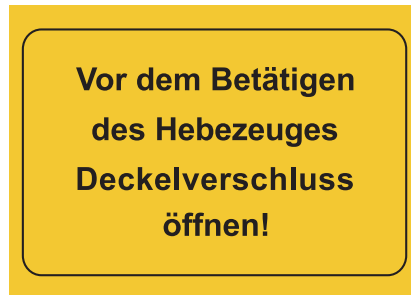
459 210



459 210 1



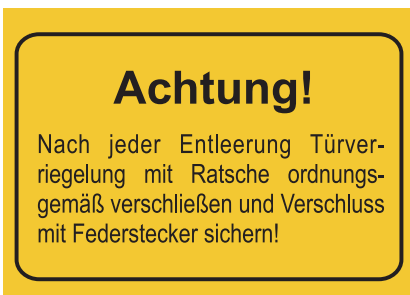
459 211



459 229 /-229 1



459 256



459 257



459 213



459 258

Article no.	Product	Description
459 284	PVC sticker „Schadstoffhaltige Abfälle“	297x210mm
459 207	PVC sticker „Nur bis zum Rand füllen!“	D=200mm
459 202	PVC sticker „Greifer“	D=200mm
459 208	PVC sticker „aus dem Schwenkbereich der Tür treten“	210x150mm, 2 stickers/sheet
459 210	PVC sticker „Deckel ist federbelastet“	210x150mm, 2 stickers/sheet
459 210 1	PVC sticker „Deckel ist federbelastet“	105x95mm, 6 stickers/sheet
459 211	PVC sticker „Vor öffnen der Türen“	210x150mm, 2 stickers/sheet
459 229	PVC sticker „Deckelverschluss öffnen!“	210x150mm, 2 stickers/sheet
459 229 1	PVC sticker Deckelverschluss öffnen!	210x150mm
459 256	PVC sticker „Bedienung nur durch unterwiesene Personen“	104x52mm, 10 stickers/sheet
459 257	PVC sticker „Nach Entleerung Türverriegelung sichern!“	210x150mm, 2 stickers/sheet
459 213	PVC sticker „Netzstecker ziehen“	210x150mm, 2 stickers/sheet
459 258	PVC sticker „Achtung! Verschlussriegel betätigen“	210x150mm, 2 stickers/sheet

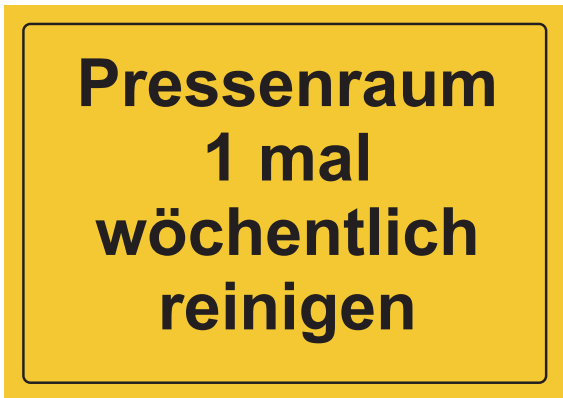
Stickers according to customer specification on request



459 227



459 217 1



459 215



459 217

Article no. Product

459 227	PVC sticker "Pressenraum bei jeder Leerung reinigen"
459 217 1	PVC sticker „Rangierbügel nur zum Rangieren verwenden“
459 215	PVC sticker „Pressenraum 1 mal wöchentlich reinigen“
459 217	PVC sticker „Hakenbügel nur für Rangierzwecke“

Description

297x210mm
297x210mm
297x210mm
297x210mm

! ACHTUNG !
KURZBETRIEBSANLEITUNG FÜR MÜLLPRESSEN

Um Gefahren und Unfälle, auch mit Todesfolge zu vermeiden, sind zwingend nachstehende Punkte zu prüfen. Werden alle Vorschriften & Hinweise beachtet, ist ein sicherer Einsatz gewährleistet.

- Vor Inbetriebnahme die Sicherheitshinweise und die vollständige Betriebsanweisung/Betriebsanleitung lesen!
- Bedienung nur durch Personen über 18 Jahre mit gültiger Unterweisung!
- Vor Inbetriebnahme kontrollieren und prüfen ob die Behälterverschluss für ordnungsgemäß verschlossen und verriegelt ist!
- Vor Inbetriebnahme Sicht- und Funktionskontrolle durchführen, bei Auffälligkeiten Müllpresse nicht in Betrieb nehmen!

Schutzausrüstung
 Es ist eine vollständige und unbeschädigte persönliche Schutzausrüstung zu tragen die weiterhin den vorliegenden Umwelteinflüssen und der Temperatur entspricht.

Schutzmaßnahmen

Die Presse darf nur auf einem dafür vorgesehenen Standplatz aufgestellt werden, welcher die jeweiligen anwendungsspezifischen Anforderungen aus der Betriebsanleitung erfüllt. Pressen mit vier Rollen sind gegen wegrollen zu sichern. Der Behälter darf erst abgesetzt werden, wenn sichergestellt ist, dass sich keine Personen, insbesondere Kinder oder auch Tiere im Gefahrenbereich befinden. Für notwendige Bedienung- & Wartungsarbeiten muss ausreichend Platz um den Behälter freigehalten werden. Der seitliche Abstand zu Gebäuden oder anderen Geräten muss jeweils min. 0,5 Meter betragen. Die Müllpresse darf nur von unterwiesenen Personen bedient werden. Vor Arbeitsbeginn ist die Müllpresse auf äußerliche, sichtbare Schäden zu kontrollieren. Vor Inbetriebnahme müssen evtl. entfernte Absturzsicherungen (z.B. Steckgeländer) wieder angebracht werden. Bei Beschädigung von Podesten oder einer Rampe, ist eine Mindestentfernung von 1,1 m einzuhalten. Ein Einschalten vor dieser Arbeit ist streng verboten. Das Betreten, das Einrollen oder das Hineinfassen in die Presse ist strengstens verboten. Eingriffe in die Müllpresse, z.B. das Beseitigen von verkanteten Material, dürfen nur im ausgeschalteten Zustand & unter Verwendung eines Hilfsmittels, z.B. einer Stange, vorgenommen werden. Wird die Presse in allgemein zugänglichen Bereichen unbeaufsichtigt betrieben, so sind die auf jeden Einzelfall abgestimmten Sicherheitsmaßnahmen zu beachten. Schutzvorrichtungen dürfen nicht entfernt oder unwirksam gemacht werden.

Achtung! Bei Gefahr Presse unverzüglich durch Betätigen eines NOT-AUS-Tasters stilllegen.

Elektroanschluss
 Die Pressesteuerung muss mit einer flexiblen, schweren Zuleitung als Gummischlauchleitung (5. Pol. min. 407N/7) angeschlossen werden. Bei Betrieb über eine Steckvorrichtung ist gebauseitig eine Fehlerstrom-Schutzeinrichtung (VDE 0664, DGVV Vorschrift 3) mit geschaltetem Schutzleiter (SPF-PRCD) mit einem Nennfehlerstrom von max. 30 mA vorzuschalten. Weiterhin muss der elektrische Anschluss in Abhängigkeit der Umgebungseinflüsse und des Aufstellungsortes den Normen der Reihe DIN VDE 0100 entsprechen.

Bedienung

1. Hauptschalter auf 1 schalten, danach die EIN-Taste betätigen.
2. Das Abschalten erfolgt über die eingestellte Zeit oder durch Betätigen einer AUS-Taste.
3. Müllpresse gegen unbefugte Benutzung sichern, z.B. mittels Sperren des Notstromschalters durch ein Vorhängeschloss
4. Nach jeder Entleerung ist auf ordnungsgemäßes Verschließen der Entleerungskappen/-türen zu achten.

Störungen / Unfälle
 Bei Störungen ist die Presse still zu setzen & der Vorgesetzte zu verständigen. Keine Reparaturversuche! Reparaturen dürfen nur von Fachleuten vorgenommen werden. Die Freigabe der Müllpresse nach einer Störungsbehebung darf nur durch die beauftragten Fachleute erfolgen. Nach einem Unfall die Müllpresse sofort stillsetzen. Verletzungen durch Sofortmaßnahmen versorgen, Unfall entsprechend den betrieblichen Regelungen melden & weitere Erste-Hilfe-Maßnahmen veranlassen.

Prüfung
 gemäß DIN EN 16486 / DIN 30730 / § 14 BetrSichV
 nächste Prüfung
 Hier Prüfplakette einkleben

459 216 1

**Vorsicht !
 Quetschgefahr**

459 214

Article no. Product

459 216 1	PVC sticker „Kurzbedinungsanleitung für Müllpressen“
459 214	PVC sticker „Vorsicht! Quetschgefahr“

Description

210x297mm
210x297mm

Stickers according to customer specification on request



459 263

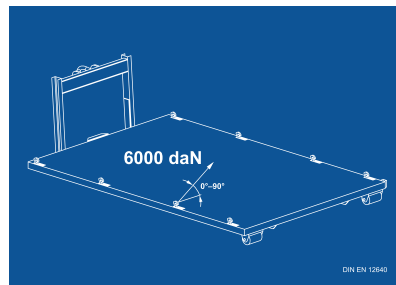
Article no.	Product	Description
459 263	PVC sticker „!ACHTUNG! Schwenkbereich Tür“	500x100mm



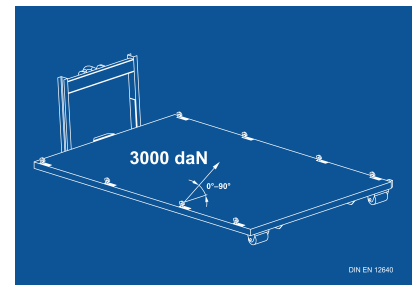
459 286



459 212



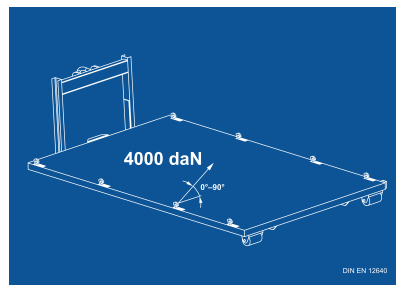
459 248 1



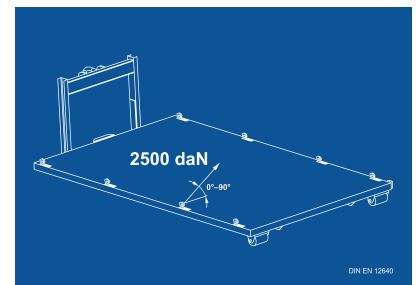
459 249 2



459 282



459 248 2

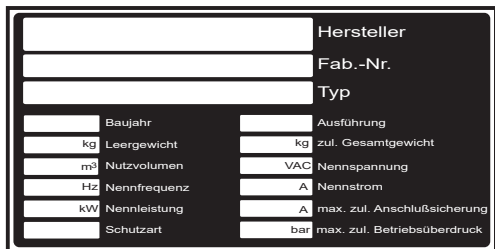


459 249 1

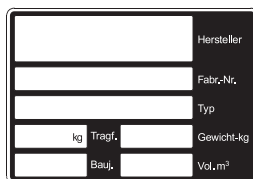
Article no.	Product	Description
459 286	PVC sticker „Falling objects“	297x210mm
459 212	PVC sticker „Niemals in den Befülltrichter greifen“	210x150mm, 2 stickers/sheet
459 282	PVC sticker „Quetschgefahr“	210x150mm, 2 stickers/sheet
459 248 1	PVC sticker „6000 daN“	210x150mm, 2 stickers/sheet
459 249 2	PVC sticker „3000 daN“	210x150mm, 2 stickers/sheet
459 248 2	PVC sticker „4000 daN“	210x150mm, 2 stickers/sheet
459 249 1	PVC sticker „2500 daN“	210x150mm, 2 stickers/sheet

Stickers according to customer specification on request

Stickers



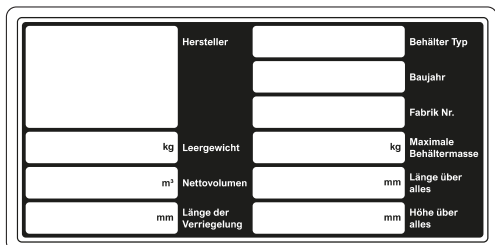
459 201



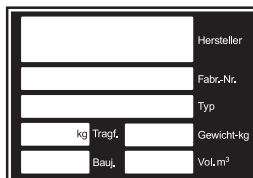
459 200



459 200 3



459 200 2



459 200 1

Article no. Product

Description

Article no.	Product	Description
459 201	Type label aluminum sticker for compactors	194x97mm, 3 stickers/sheet
459 200 2	Type label aluminum sticker for roll-off containers	194x97mm, 3 stickers/sheet
459 200	Type label aluminum sticker for skips	95x65mm, 8 stickers/sheet
459 200 1	Type label aluminum plate for skips	100x70mm
459 200 3	Type label aluminum plate for roll-off-containers	97x156mm



459 293

Article no. Product

Description

459 293	PVC sticker "Achtung Seitenlader!"	850x600mm
---------	------------------------------------	-----------

Stickers according to customer specification on request

Stickers



459 277



459 276



459 275



459 271



459 272



459 273



459 274



459 278



459 270



459 259



459 280



459 206

Article no.	Product	Description
459 277	PVC sticker "Folie"	297x70mm, 3 stickers/sheet
459 276	PVC sticker "Grünschnitt"	297x70mm, 3 stickers/sheet
459 275	PVC sticker "Hausmüll"	297x70mm, 3 stickers/sheet
459 271	PVC sticker "Karton"	297x70mm, 3 stickers/sheet
459 272	PVC sticker "Kunststoff"	297x70mm, 3 stickers/sheet
459 273	PVC sticker "Papier"	297x70mm, 3 stickers/sheet
459 274	PVC sticker "Restmüll"	297x70mm, 3 stickers/sheet
459 278	PVC sticker "your text"	297x70mm, 3 stickers/sheet
459 270	PVC sticker "Aufhängepunkte nur für Leertransport"	210x150mm, 2 stickers/sheet
459 259	PVC sticker „nur mit verriegelten Richtungsfeststellern“	210x150mm, 2 stickers/sheet
459 280	PVC sticker "Im Interesse des Umweltschutzes"	210x150mm, 2 stickers/sheet
459 206	PVC sticker „Im Interesse des Umweltschutzes“	297x210mm

Stickers according to customer specification on request

Stickers



459 287



459 288



459 203



459 289



459 291



459 292



459 295



459 219



459 296

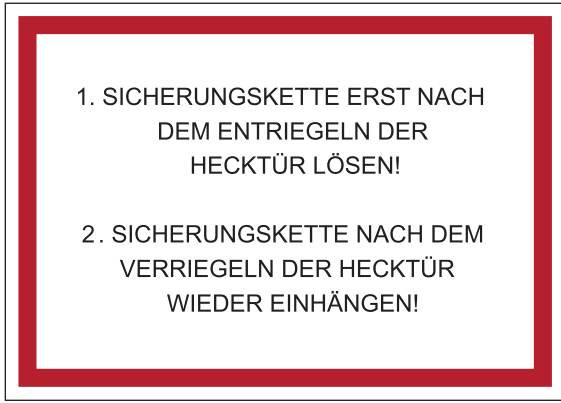
Article no. Product

Description

459 287	PVC sticker "Boarding prohibited"	D=200mm
459 288	PVC sticker "Access forbidden"	D=200mm
459 203	PVC sticker "Aufsteigen verboten"	D=200mm
459 289	PVC sticker "Do Not Enter"	D=200mm
459 291	PVC sticker "Achtung Schüttungsarm"	D=90mm, 6 stickers/sheet
459 292	PVC sticker "Nicht in die Schüttung fassen"	D=90mm, 6 stickers/sheet
459 219	PVC sticker „NOT-AUS“	90x90mm, 6 stickers/sheet
459 295	PVC sticker "Nicht in die Schüttung greifen"	210x75mm, 4 stickers/sheet
459 296	PVC sticker "Nicht hinter den Schwenkarm treten"	210x75mm, 4 stickers/sheet

Stickers according to customer specification on request

Stickers



459 218



459 297



459 294 1



459 283



459 205

Article no.	Product	Description
459 283	PVC sticker "Zufahrt freihalten!"	210x95mm, 3 stickers/sheet
459 205	PVC sticker "Bekleben verboten!"	210x150mm, 2 stickers/sheet
459 297	PVC sticker "Hydrauliköl/Ölstand"	195x145mm, 2 stickers/sheet
459 218	PVC sticker "Sicherungskette lösen/wieder einhängen"	297x210mm
459 294 1	PVC sticker "Achtung! Der Aufenthalt unter der Heckklappe..."	148x105mm, 4 stickers/sheet

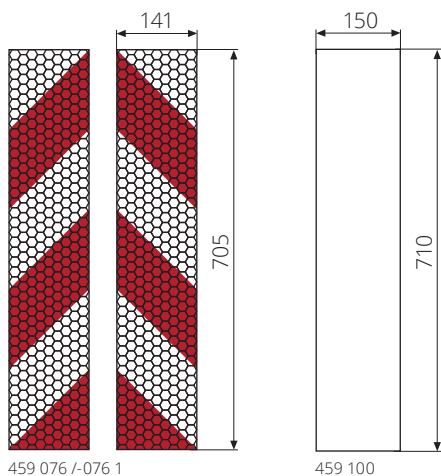
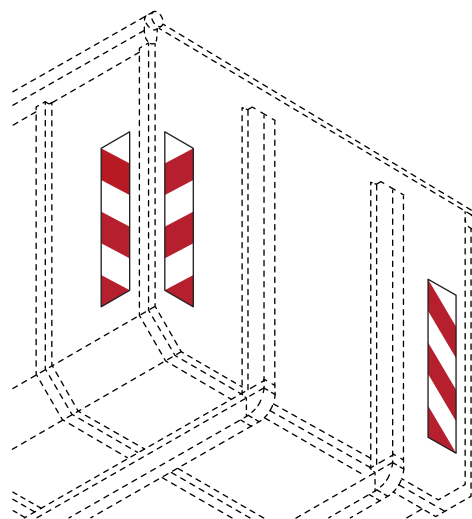


459 290

Article no.	Product	Description
459 290	PVC sticker "Warning notices for compactors"	650x150mm

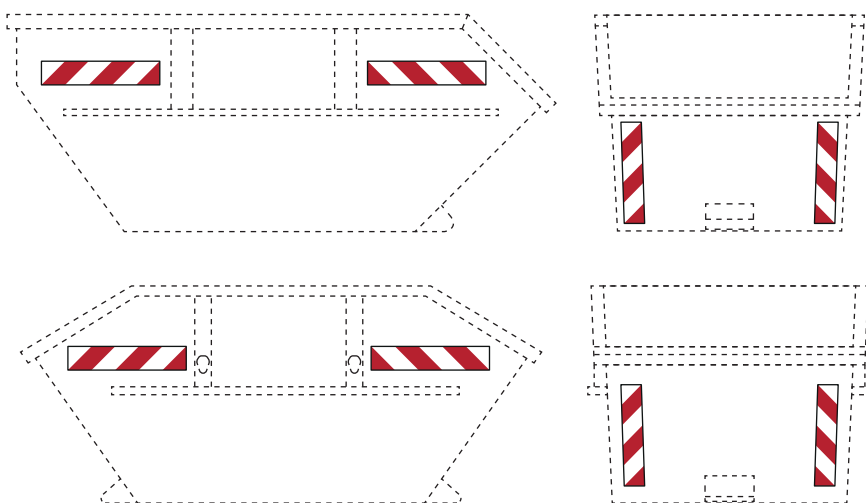
Stickers according to customer specification on request

Chevron markings



459 076 /-076 1

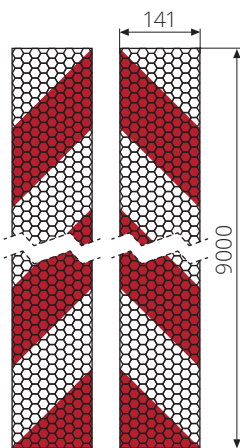
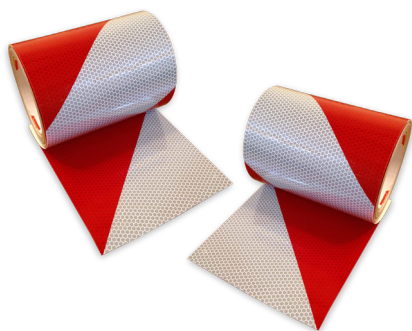
459 100



Article no.	Product	Description
459 076	Chevron marking	Oralite® 5951, 705x141mm, DIN 67520/6171, set of 4x left/right
459 076 1	Chevron marking	Oralite® 5951M, 705x141mm, DIN 67520/6171, Set of 4x left/right, resistant to high-pressure cleaning
459 076 2	Chevron marking	705x141mm, DIN 67520/6171, set of 4x left/right

Article no.	Product	Description
459 100	Magnetic foil	710x150x0,9mm, white

Chevron markings for vehicles



459 075

Article no.	Product	Description
459 075	Chevron marking for vehicles	9000x141mm, DIN 30710, retroreflective, edge protection film, 1 roll left, 1 roll right

Custom order form


Office Richard-Wagner-Straße 51
 10585 Berlin | Germany
 Phone 0049 (0)30 2000 578 80
 E-mail vertrieb@rewald.eu
 Internet www.rewald.eu

We are happy to accept special requests. We ask for as much information as possible so that we can make an offer.

If available, you can also send us the following by e-mail or post:

- detailed photos
- technical drawings, 3D models, detailed sketches
- sample parts
- reference to similar Rewald articles

Contact Person	
Address	
Phone	
E-mail	
Rewald Customer no.	

Product	
Material	
OEM no.	
Manufacturer	
Amount	
Sketch	
	

General Terms & Conditions REWALD GmbH

1. General

1.1. Rewald GmbH, hereinafter referred to as "Rewald", offers products for sale to buyers via the online shop rewald.eu.

1.2. The following terms and conditions (T&Cs) apply for all business relations between the buyer and Rewald which are established via the online shop.

1.3. These terms and conditions apply to entrepreneurs within the meaning of Section 14 of the German Civil Code (BGB) as well as within the meaning of Section 13 of the German Civil Code for consumers. A consumer is any natural person who enters into a legal transaction which is predominantly not attributed to their commercial or self-employed professional activity. An entrepreneur is a natural or legal person, or a company with legal personality, who or which exercises a commercial or self-employed professional activity when the legal transaction is entered into.

2. Offer, acceptance and conclusion of contract

2.1. The product descriptions contained in the seller's online shop do not represent a binding offer on the part of Rewald; instead they are used by the buyer to submit a binding offer.

2.2. The buyer can initially add the seller's products into the basket without commitment and correct his personal inputs and information at any time before submitting his binding order.

2.3. The basket can be amended at any time before the order process is complete using the navigation bar. The buyer has the possibility of performing a final check of all information before the final submission of the order. Any input errors are displayed; the buyer is asked to correct the respective input fields. Furthermore, the buyer also has the possibility of interrupting the purchase at any time by leaving the website of the online shop. The order is submitted at the end of the online order process by clicking the "Order with obligation to pay" button.

2.4. The point at which the contract with Rewald is entered into depends on the type of payment method that you choose:

Invoice:

Rewald accepts the buyer's order by sending an order confirmation in a separate email or by dispatching the goods.

2.5. If an order cannot be accepted for any reason, Rewald informs the buyer of this immediately. Payments that have already been made by the buyer are immediately refunded by Rewald in this case.

3. Shipment

(1) When goods are shipped to the buyer, the risk passes to the entrepreneur with the transfer of goods to the transport company and to consumers with the transfer of the goods by the transport company to the buyer.

(2) If the performance is not possible for Rewald, unless Rewald is responsible for failure to deliver, for example due to force majeure, the buyer's claim to the performance is waived. In these cases, Rewald cancels the order, immediately informs the buyer of the cancellation and immediately repays the contributions made for the purchase price to the buyer.

4. Delivery conditions

Shipment costs are added to the indicated product prices. If the buyer delays acceptance or culpably violates other duties to cooperate, we are entitled to request compensation for any such damage incurred by us including any additional expenses. The right to make further claims is reserved. In theory, the buyer has the option of collection at Rewald, Hafenstr. 1, 16727 Velten, Germany during business hours between 8 am and 4 pm. Rewald does not deliver to packing stations.

5. Payment conditions and prices

5.1. The prices indicated by Rewald are total prices and include statutory VAT. Any additional delivery, packaging and shipment costs are indicated separately in the basket or order confirmation.

5.2. Except in cases of advance payment, the purchase price is due on delivery of the object of purchase and receipt of the invoice.

The following payment methods are available to the buyer in the Rewald shop:

Invoice:

The buyer pays the invoice amount after the goods are received and the invoice via transfer to Rewald's bank account. Rewald reserves the right to offer purchases on account only after a credit check is passed successfully.

5.3. If the order confirmation does not indicate otherwise, the purchase price is payable within 14 days from invoicing which occurs on the day the goods are shipped. Default interest is calculated in the amount of 3% above the p.a. basic interest rate. We reserve the right to claim for higher damage caused by delay.

6. Minimum order value

The minimum order value is €50 (except for adhesives and wear gauges).

7. Transport damage

7.1. The following applies to consumers: In the event of transport damage,

the buyer supports Rewald as best possible, if and to the extent which claims are made against the transport company or transport insurance concerned. If the (partial) loss or damage can be identified immediately externally, the buyer must report this to Rewald within ten days of delivery and ensure that any claims against the transport company can be made promptly. Any rights and claims of the buyer, particularly his rights in case of faults, remain unaffected by these regulations. These therefore do not include a cut-off period for the buyer's rights in accordance with Clause 9 of these terms and conditions.

7.2. The following applies to entrepreneurs: The risk of accidental loss and accidental deterioration passes to the entrepreneur as soon as Rewald has handed over the item to the carrier, freight forwarder or other specific person or company assuring the shipment. The inspection and notification duty stipulated in Section 377 of the German Commercial Code applies between merchants. If the buyer fails to provide notification as stipulated in the Code, the goods are considered accepted, unless a fault that could not be identified when inspected is concerned. This does not apply for fraudulent withholding by Rewald.

8. Retention of title

8.1. Rewald reserves the right, in relation to consumers, to retain ownership of sold items until the purchase price is paid in full; in relation to entrepreneurs, Rewald retains ownership until all receivables from the ongoing business relationship are paid in full.

8.2. The buyer is obliged to carefully handle reserved goods.

8.3. During the retention of title period, the buyer is obliged to grant Rewald third-party access to the goods and to communicate any damage or destruction of the goods immediately and to provide all information and documents that are required to safeguard the rights of the owner.

9. Warranty and guarantee conditions

The warranty of fitness and title is in accordance with the provisions listed below. Any questions and/or claims must be addressed to the Rewald contact details listed above.

9.1. Legal warranty rights apply; wear and tear is not covered by this.

9.2. In general, Rewald does not issue guarantees; declarations of guarantee from third-parties such as manufacturer guarantees remain unaffected by this.

10. Limitation of liability

10.1. In accordance with the legal provisions, Rewald is liable without limitation for damages resulting from loss of life, personal injury or damage to health, due to intentional or negligent breach of duty and other damages due to intentional or negligent breach of duty and malice. What's more, Rewald is liable without limitation for damages covered by liability in accordance with mandatory legal provisions such as in the German Product Liability Act.

10.2. For damages caused by simple or minor negligence, Rewald is liable insofar as this negligence concerns the breach of such contractual duties for which compliance is of particular importance in achieving the purpose of the contract (cardinal obligations). Rewald's liability is therefore limited to average damages that are foreseeable, direct and typical for the contract.

10.3. In the event of ordinary or slightly negligent violations of insignificant contractual duties, Rewald is liable to consumers, however this is limited to average damages that are foreseeable, direct and typical for the contract.

11. Complaints procedure

11.1. EU Commission platform for online dispute resolution: www.ec.europa.eu/consumers/odr

11.2. The seller is neither willing nor obligated to participate in a dispute resolution process before a consumer arbitration board.

12. Final provisions

12.1. The contract language is German, English or French.

12.2. Own saving of the contract text

We do not save the contract text. However, the buyer is able to view his most recent orders using his customer account. The full contract text is not accessible here.

12.3. German law applies to the legal relationship between Rewald and the buyer, provided that this does not infringe the domestic law of the buyer.

12.4. If the buyer is a merchant, legal person under public law or special fund under public law, the sole place of jurisdiction for all disputes under this contract is Rewald's registered office. The same applies if the buyer has no general place of jurisdiction in Germany or the place of residence or habitual residence are unknown at the point the complaint is filed. The right to also call upon a court in another legal place of jurisdiction remains unaffected by this.

13. Liability limitation

We accept no liability for any errors in the illustrations or texts. We reserve the right to make technical changes and price changes.



Ersatzteile für die Entsorgungswirtschaft

Office Richard-Wagner-Straße 51 | 10585 Berlin | Germany

Warehouse Hafenstraße 1 | 16727 Velten | Germany

Phone 0049 (0)30 2000 578 80

E-mail vertrieb@rewald.eu

Internet www.rewald.eu



Representatives Ingo Freter

Sales

PLZ 01-29, 39, 98-99

Phone 0049 175 433 64 22

E-mail ingo.freter@rewald.eu

Denis Hitz

Sales

PLZ 54-56, 60-79

Phone 0049 151 140 18 850

E-mail denis.hitz@rewald.eu

Yves Dreyer

Sales

France, Luxemburg, Switzerland

Phone 0033 6 44 27 96 06

E-mail yves.dreyer@rewald.eu

Fabrizio Speziale

Sales

Italy

Phone 0039 388 3748830

E-mail fabrizio.speziale@rewald.eu

Michael Steimer

Sales

PLZ 30-38, 40-53, 57-59, 97

Phone 0049 160 438 08 83

E-mail michael.steimer@rewald.eu

Markus Mosburger

Sales

PLZ 80-96 & Austria

Phone 0049 151 4244 2425

E-mail markus.mosburger@rewald.eu

Vladimír Paulov

Sales

Czech Republic, Slovakia & Balkans

Phone 00421 915 381 787

E-mail vladimir.paulov@rewald.eu