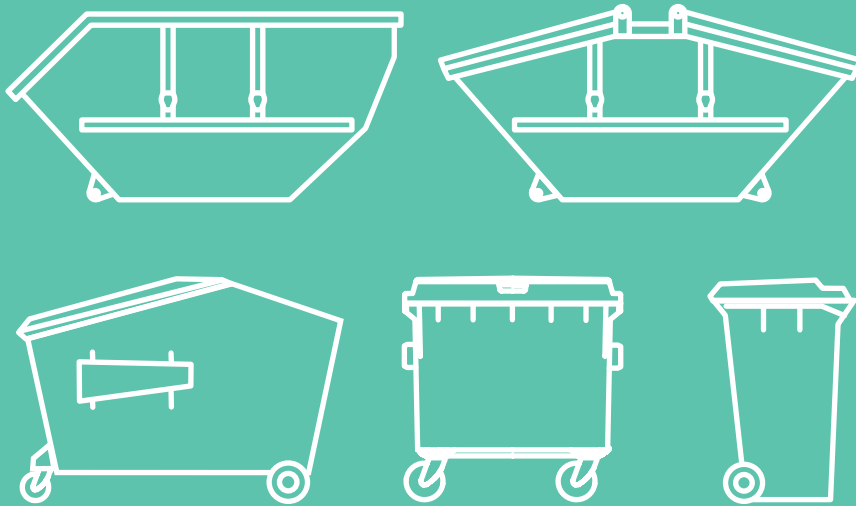


Rewald[®]

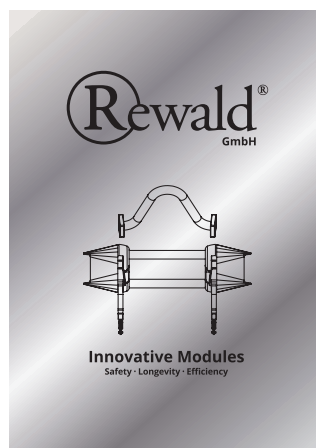
GmbH



Components for Skips & Waste Bins

Catalog 2023

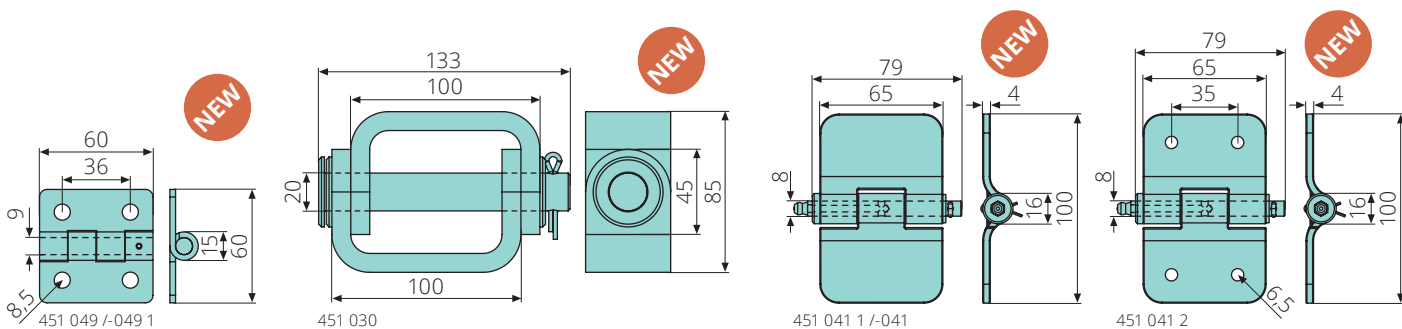
All Rewald Catalogs



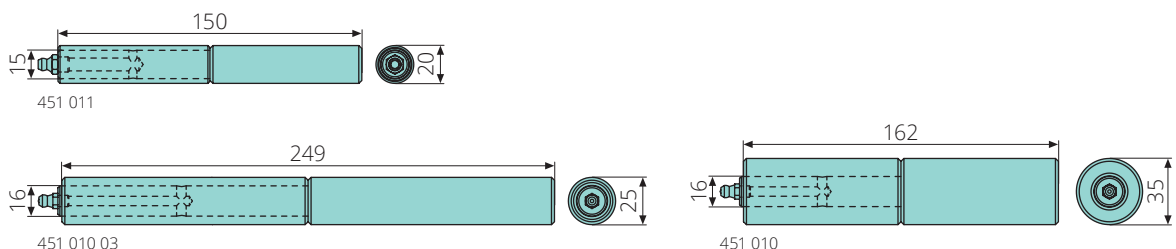
Contents

Hinges	4 - 5
Lids & accessories	6 - 19
Tarpaulins & nets	20 - 22
Locking devices	23 - 31
Locks & keys	32 - 34
Lifting lugs & tipping bar brackets	34 - 39
Cargo securing	40 - 43
Wheels	44 - 47
Seals	48 - 49
Stickers / Chevron marking	50 - 52
Custom order form / Order form / General terms & conditions REWALD GmbH	53 - 55

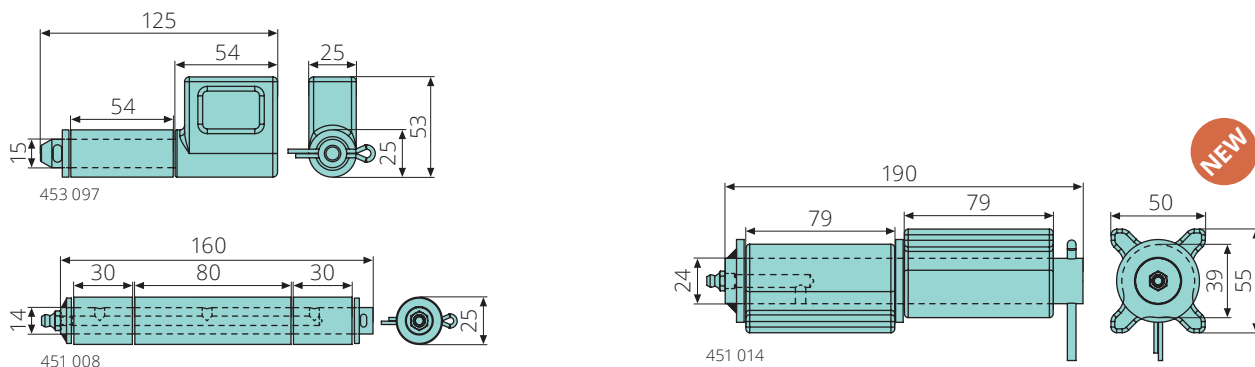
Hinges for flaps & lids



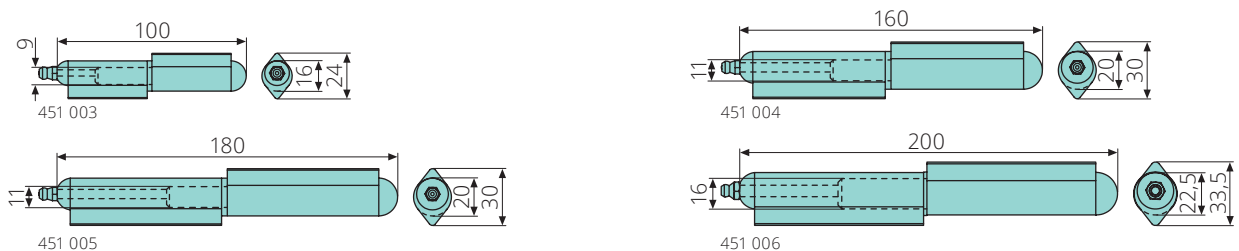
Article no.	Product	Description
451 049	Hinge	15x60x60mm, raw, with bras pin, for bolted mounting
451 049 1	Hinge	15x60x60mm, galvanized, with bras pin, for bolted mounting
451 030	Hinge	20x133x85mm, primed
451 041 1	Hinge	16x79x100mm, raw, lubrication
451 041	Hinge	16x79x100mm, galvanized, lubrication
451 041 2	Hinge	16x79x100mm, galvanized, lubrication, with bores



Article no.	Product	Description
451 011	Hinge	20x150mm, for container lids, lubrication
451 010 03	Hinge	25x249mm, for container lids, lubrication
451 010	Hinge	35x162mm, for container lids, lubrication

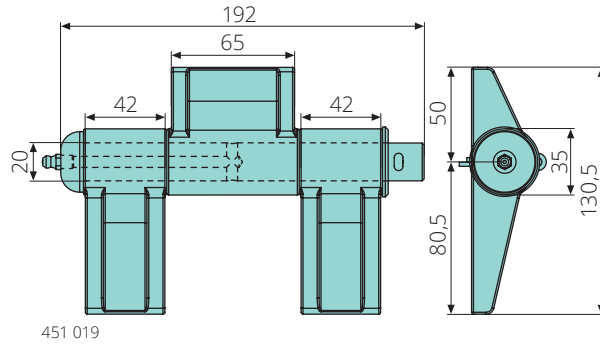
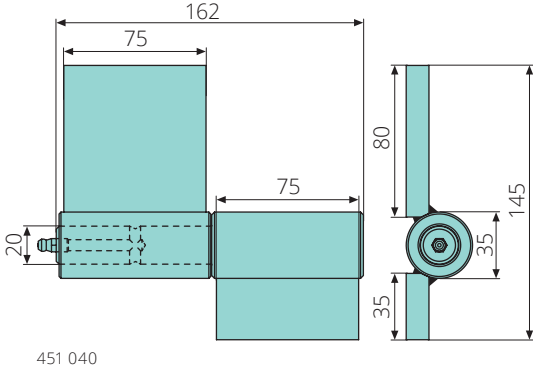
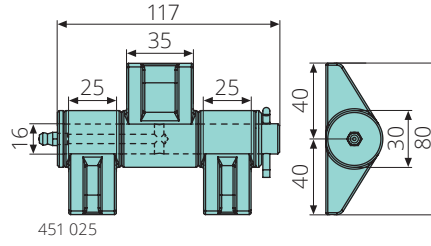
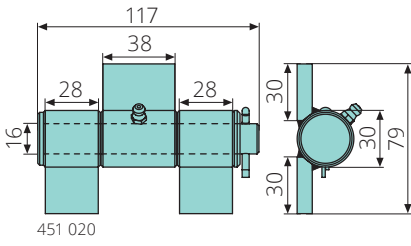


Article no.	Product	Description
453 097	Tailgate lock hinge	25x125x53mm, forged, raw
451 008	Hinge	25x160x25mm, for container lids, lubrication
451 014	Hinge	39x190x55mm, for container lids, lubrication



Article no.	Product	Description
451 003	Barrel hinge	16x100x24mm, with brass washer
451 004	Barrel hinge	20x160x30mm, with brass washer
451 005	Barrel hinge	20x180x30mm, with brass washer
451 006	Barrel hinge	22,5x200x33,5mm, with brass washer

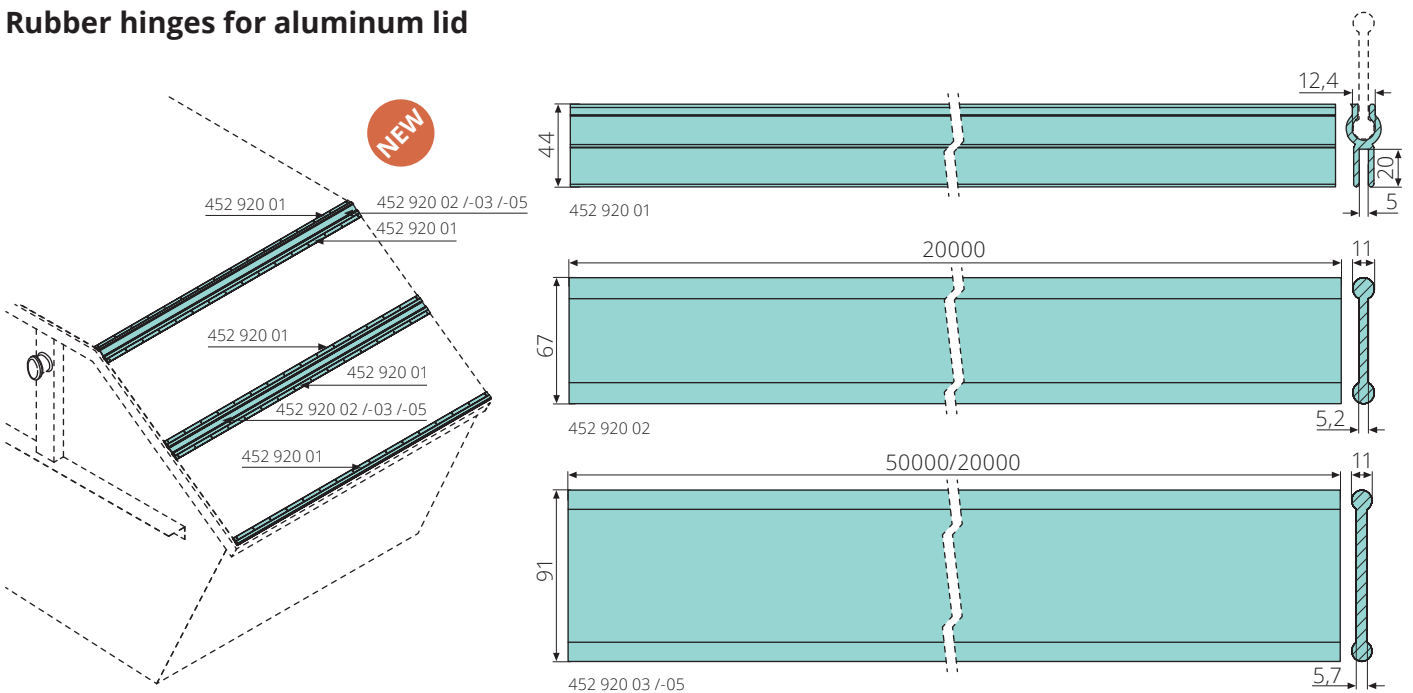
Hinges for flaps & lids



Article no.	Product	Description
451 020	Hinge	30x115x79mm, for skip lids, bushing lubrication
451 025	Hinge	30x115x80mm, for skip lids, lubrication, cast steel
451 040	Hinge	35x162x145mm, for skip lids, lubrication
451 019	Hinge	35x192x130,5mm, for skip lids, lubrication, forged

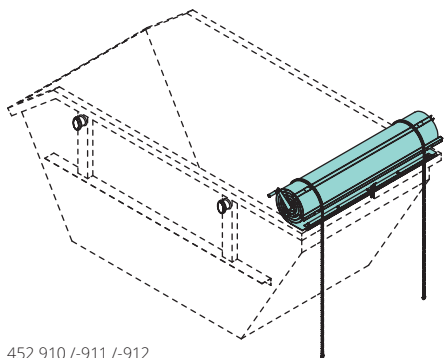
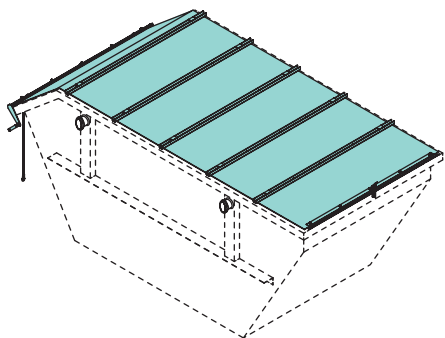
Hinges for flaps & lids / Rubber hinges for aluminum lid

Rubber hinges for aluminum lid

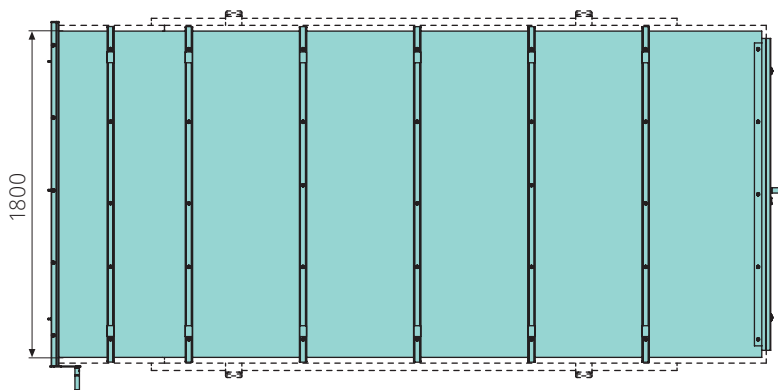
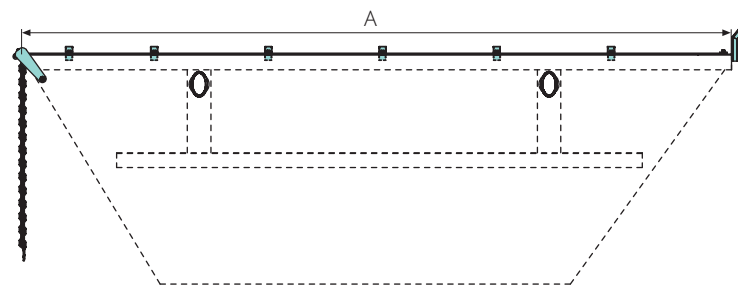
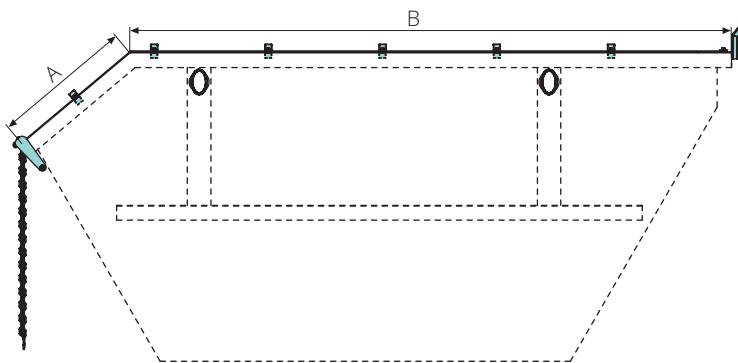


Article no.	Product	Description
452 920 01	Guide profile for rubber hinge	44x19mm, aluminium, for rubber hinge 452 920 03 /-02 /-05, length according to specification
452 920 02	Rubber hinge	67x11mm, EPDM, 20m bundle
452 920 03	Rubber hinge	91x11mm, EPDM, 50m bundle
452 920 05	Rubber hinge	91x11mm, EPDM, 20m bundle

Rubber lid for skips



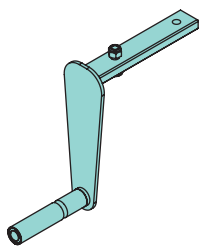
452 910 /-911 /-912



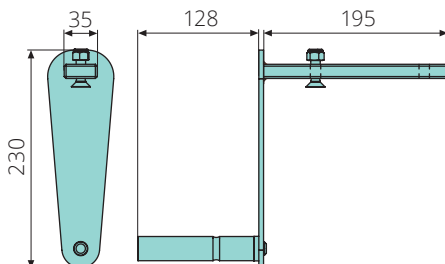
Article no.	Product	Description
452 910	Rubber lid for 5m³ container	width 1800mm, length up to 3300mm, with crank, made to order
452 911	Rubber lid for 7m³ container	width 1800mm, length up to 3800mm, with crank, made to order
452 912	Rubber lid for 10m³ container	width 1800mm, length up to 4200mm, with crank, made to order

ORDER FORM				
Article no.	A in mm	B in mm (if asymmetrical)	additional crank (advised for 10m³)	Amount

Crank for rubber lid

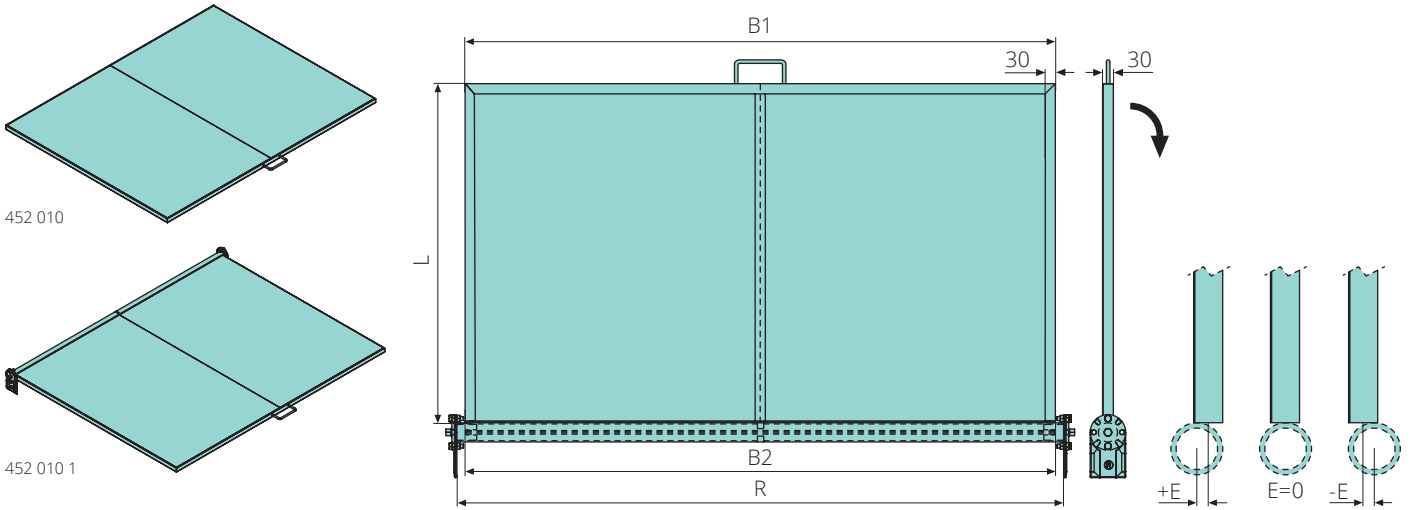


452 910 15



Article no.	Product	Description
452 910 15	Crank	with foldable handle, galvanized, recommended for 10m³ (für Gummideckel 452 912)

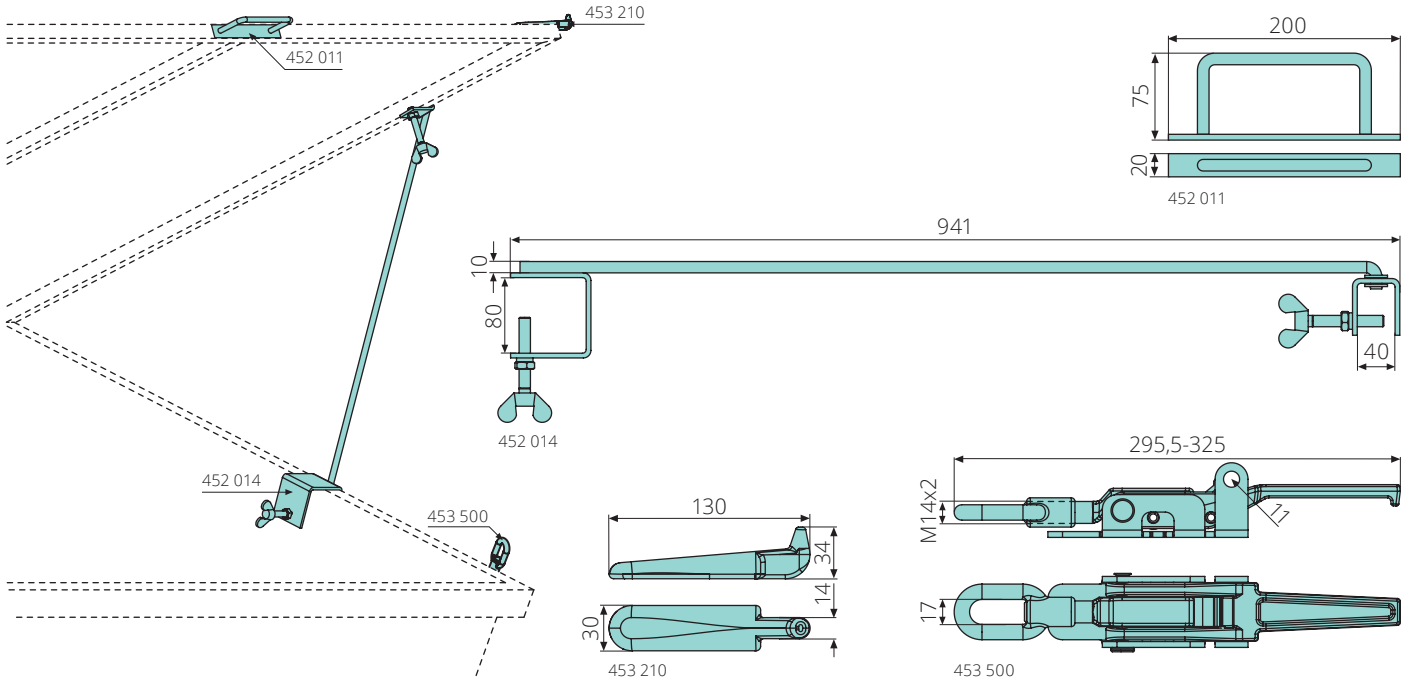
Steel lid for skips



Article no.	Product	Description
452 010	Steel lid	with handle, delivered with transport sheet, made to order
452 010 1	Steel lid with hinge bar	with handle, with external pin, plates & central stop & 3x spring bar, made to order

ORDER FORM						
Article no.	L in mm	B1 in mm	B2 in mm (if trapezoidal)	R in mm (mit Deckelrohr)	E in mm (with hinge bar)	Amount

Accessories for steel lids

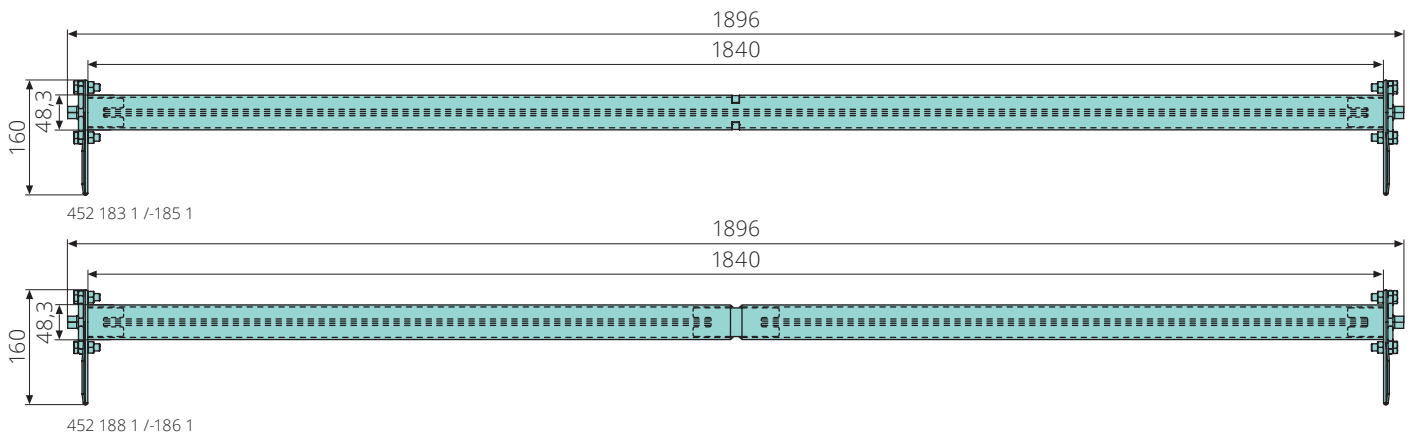


Article no.	Product	Description
452 014	Lid detent	L=941mm, with wing nuts M12, for steel lid 452 010 /-010 1, galvanized
452 011	Handle	200x75x20mm, raw, for welding

Article no.	Product	Description
453 500	Over centre lock	M14x2mm, stroke 25mm, with automatic safety latch, with padlock fitting

Article no.	Product	Description
453 210	Counterhold for over centre locks	D=14mm, forged

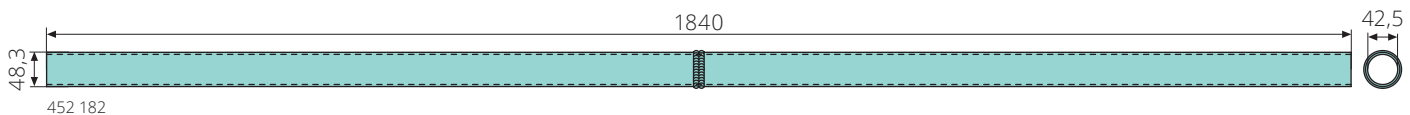
Lid hinge bars with spring bars



Article no.	Product	Description
452 183 1	Lid hinge bar	48,3x1840mm, with external pin, plates & central stop, 3x spring bar 1760x30x3mm, preassembled
452 185 1	Lid hinge bar	48,3x1840mm, with external pin, plates & central stop, 3x spring bar 1790x40x3mm, preassembled
452 188 1	Lid hinge bar	48,3x1840mm, with external pin, plates & central stop, 6x spring bar 860x30x3mm, preassembled
452 186 1	Lid hinge bar	48,3x1840mm, with external pin, plates & central stop, 6x spring bar 860x40x3mm, preassembled

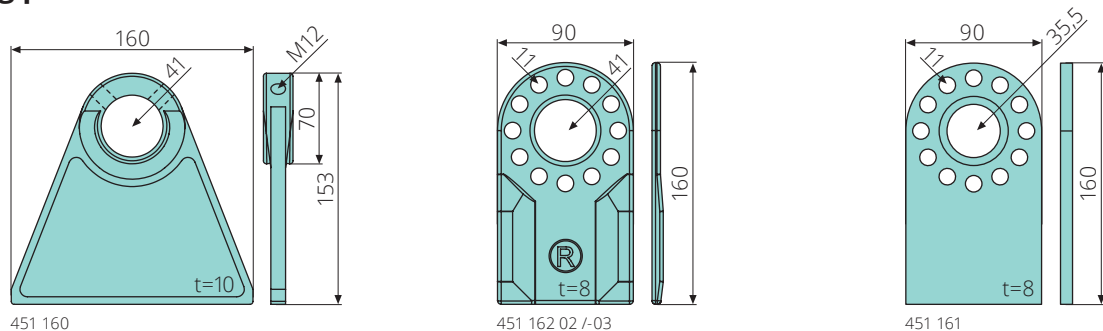
Article no.	Product	Description
451 163	Spring bar	1800x25x5mm
451 171	Spring bar	875x30x3mm
451 169	Spring bar	1790x30x3mm
451 165	Spring bar	1800x30x5mm
451 172	Spring bar	875x35x3mm
451 173	Spring bar	1760x35x3mm
451 170 01	Spring bar	859x40x3mm, for assembly kit 452 292
451 170	Spring bar	875x40x3mm
451 166	Spring bar	1790x40x3mm
451 167	Spring bar	1800x40x5mm

Lid hinge bar for lids with stop



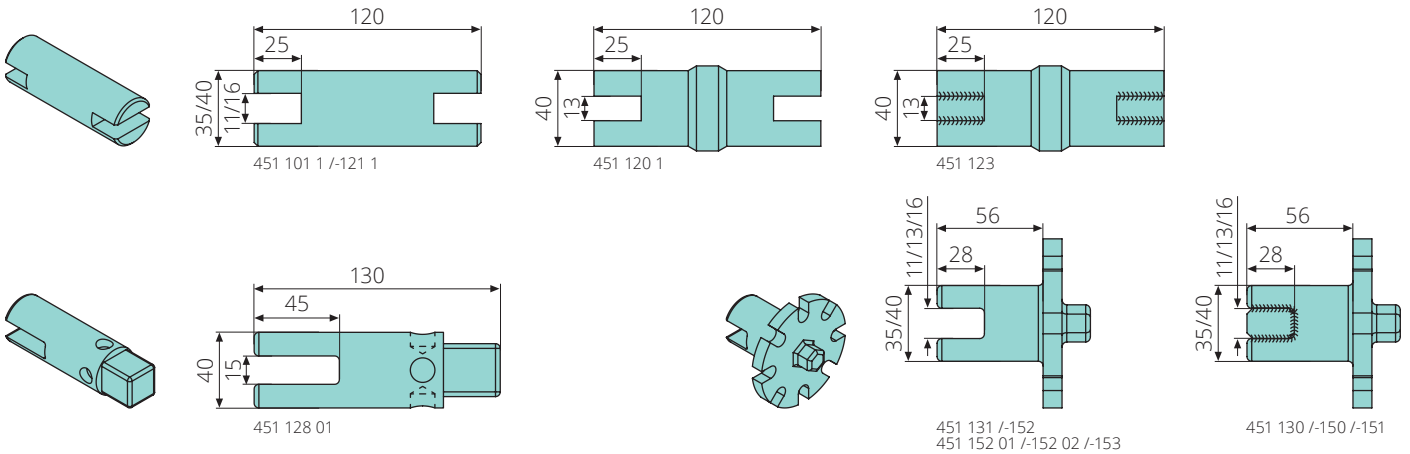
Article no.	Product	Description
452 182	Lid hinge bar	48,3x1840mm, for lids with stop

Anchoring plate



Article no.	Product	Description
451 160	Support for lid hinge bar	d=41mm, M12, cast steel
451 162 02	Anchoring plate	d=41mm, 12 bores d=11mm, forged, galvanized
451 162 03	Anchoring plate	d=41mm, 12 bores d=11mm, forged
451 161	Anchoring plate	d=35,5mm, 12 bores d=11mm

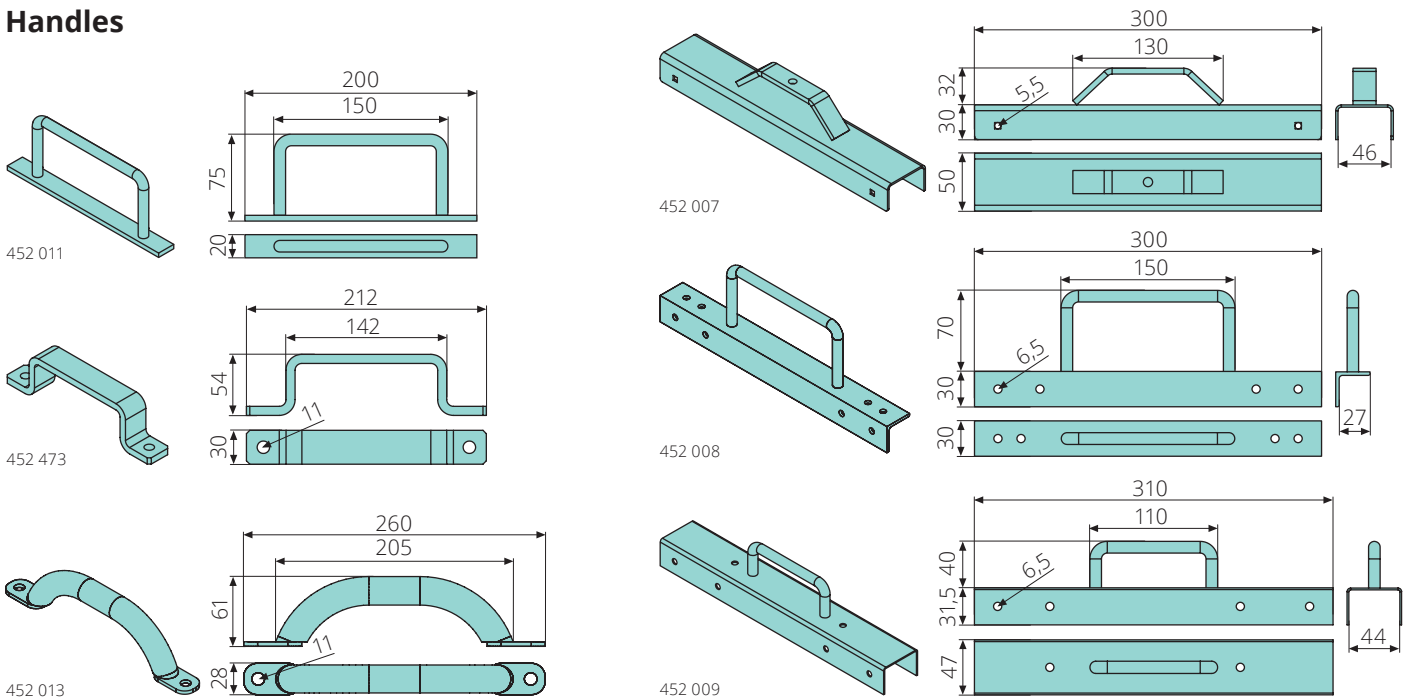
Connector pins / External pins



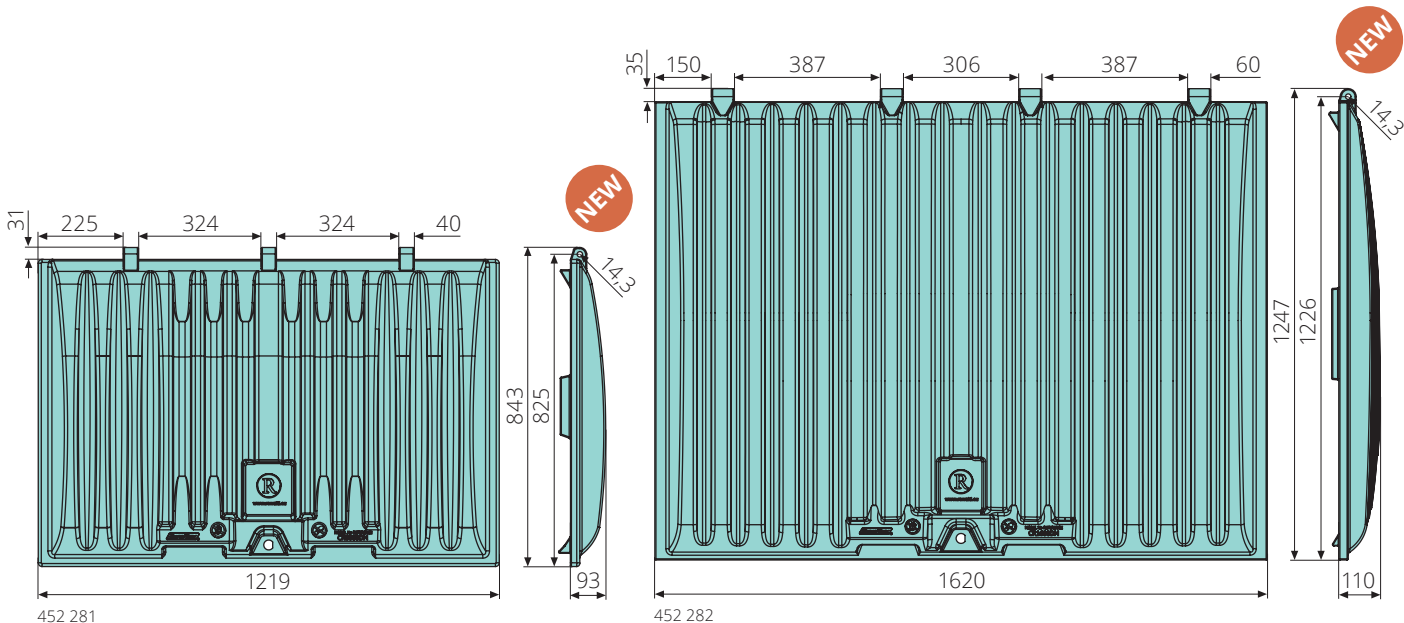
Article no.	Product	Description
451 101 1	Connector pin	D=35mm, L=120mm, slot 11x25mm
451 120 1	Connector pin	D=40mm, L=120mm, slot 13x25mm
451 121 1	Connector pin	D=40mm, L=120mm, slot 16x25mm
451 123	Connector pin	D=40mm, L=120mm, slot 13x25mm, with reinforcement plate
451 128 01	External pin	D=40mm, L=100mm, slot 15x45mm, square 28x28mm
451 131	External pin	D=35mm, L=56mm, slot 11x28mm, hexagon SW17
451 130	External pin	D=35mm, L=56mm, slot 11x28mm, hexagon SW17, with reinforcement plate
451 152	External pin	D=40mm, L=56mm, slot 13x28mm, hexagon SW17, cast steel
451 152 01	External pin	D=40mm, L=56mm, slot 13x28mm, hexagon SW17, cast steel, galvanized
451 152 02	External pin	D=40mm, L=56mm, slot 13x28mm, square 30x30mm, cast steel
451 150	External pin	D=40mm, L=56mm, slot 13x28mm, hexagon SW17, with reinforcement plate, cast steel
451 153	External pin	D=40mm, L=56mm, slot 16x28mm, hexagon SW17
451 151	External pin	D=40mm, L=56mm, slot 16x28mm, hexagon SW17, with reinforcement plate

Lid hinge bars / Spring bars / Anchoring plates / Pins / Handles

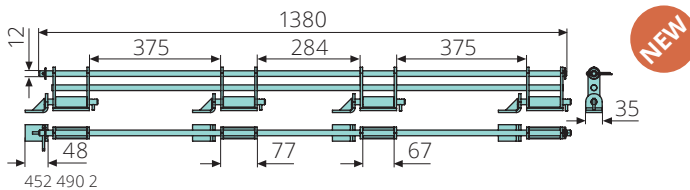
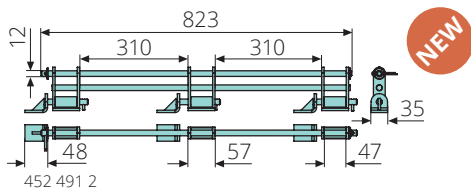
Handles



Article no.	Product	Description
452 011	Handle	200x75x20mm, raw, for welding
452 473	Handle	212x54x30mm, galvanized, for bolted mounting
452 013	Handle	260x61x28mm, galvanized, for bolted mounting
452 007	U-profile with handle	300x62x50mm, galvanized, for bolted mounting
452 008	Handle with L-profile	300x100x30mm, galvanized, for bolted mounting
452 009	Handle with U-profile	310x70x47mm, galvanized, for bolted mounting



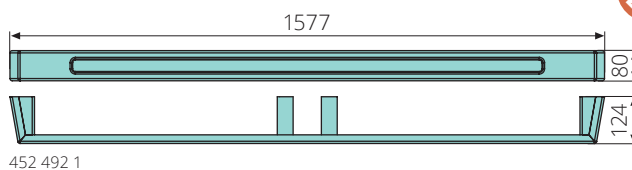
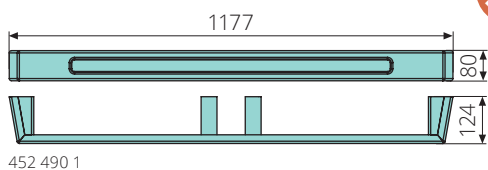
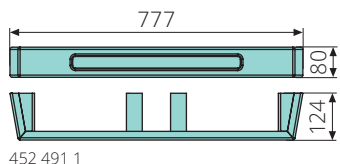
Article no.	Product	Description
452 281	DURAFLEX lid for metal box	1219x843mm, plastic, black
452 281 1	DURAFLEX lid for metal box with flap	1219x843mm, plastic, black
452 282	DURAFLEX lid for metal box	1620x1247mm, plastic, black
452 282 1	DURAFLEX lid for metal box with flap	1620x1247mm, plastic, black



Article no.	Product	Description
452 491 2	Hinge for metal box	12x823mm, small, steel, primed
452 490 2	Hinge for metal box	12x1380mm, large, steel, primed



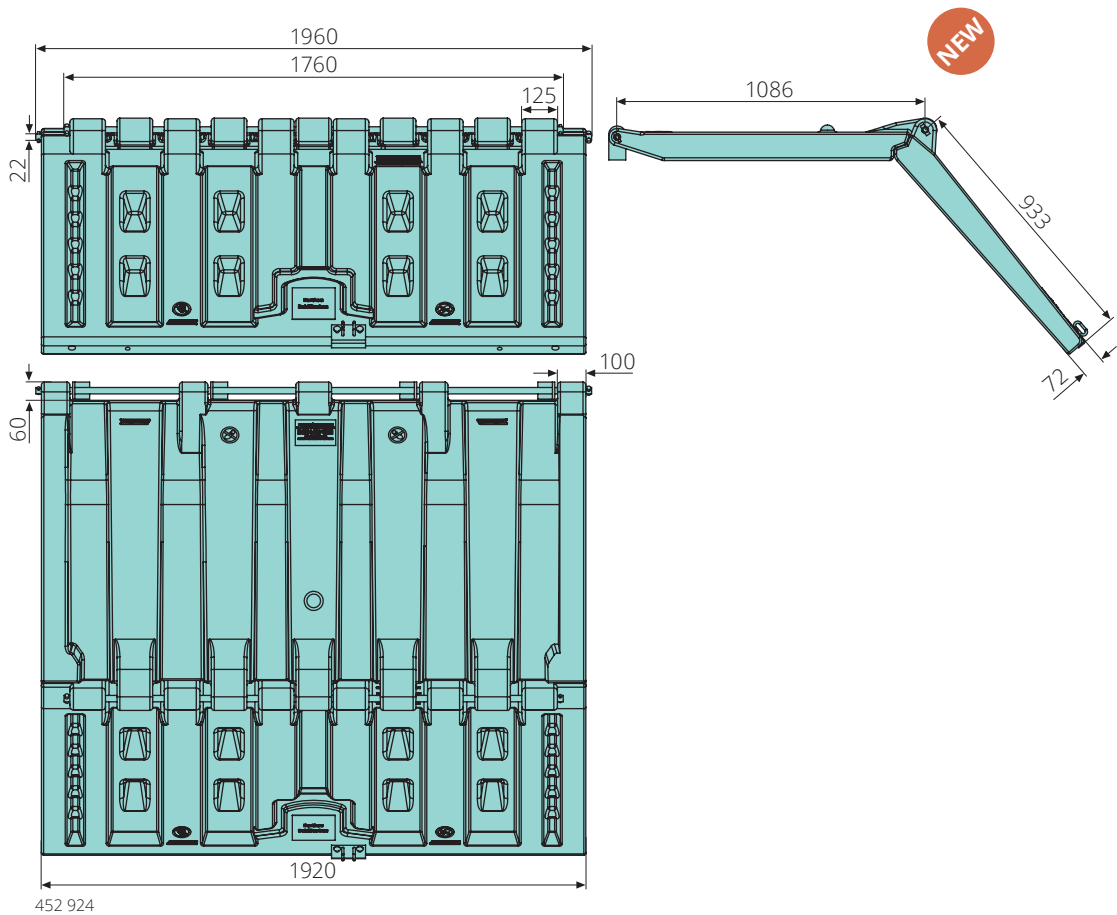
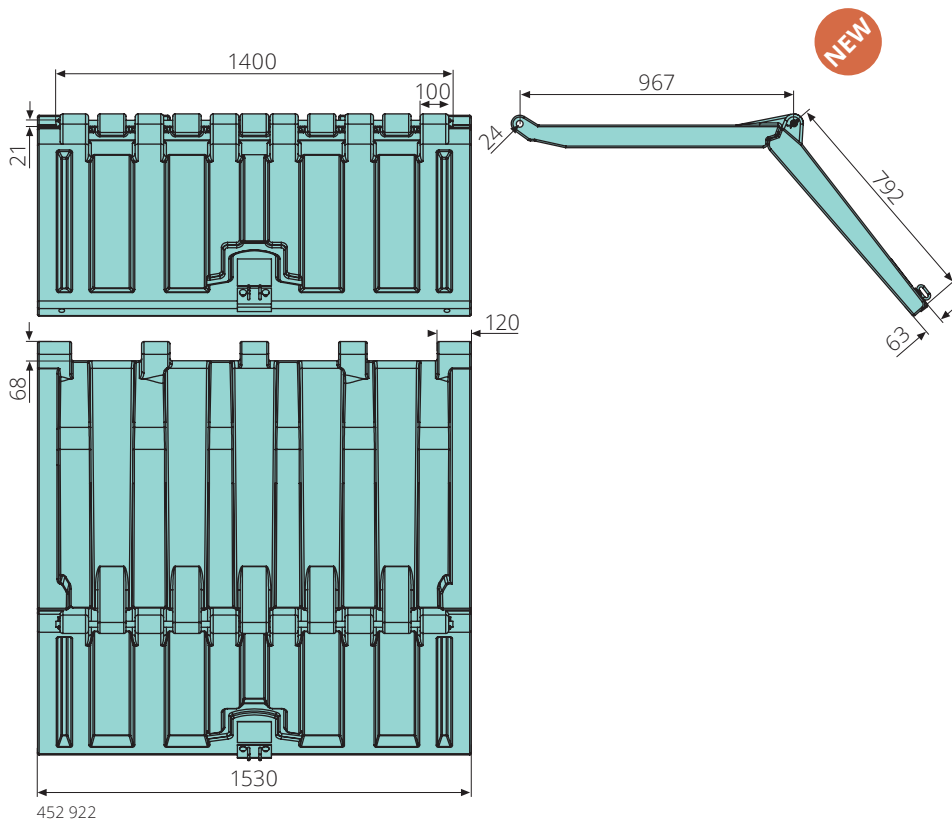
Article no.	Product	Description
452 492	Triangular lock for DURAFLEX lids	8mm, 35mm tongue



Article no.	Product	Description
452 491 1	Skid for metal box	777x80x124mm, small, S235JR
452 490 1	Skid for metal box	1177x80x124mm, large, S235JR
452 492 1	Skid for metal box	1577x80x124mm, extra large, S235JR

DURAFLEX lids for city skips

DURAFLEX lids for metal boxes & for city skips

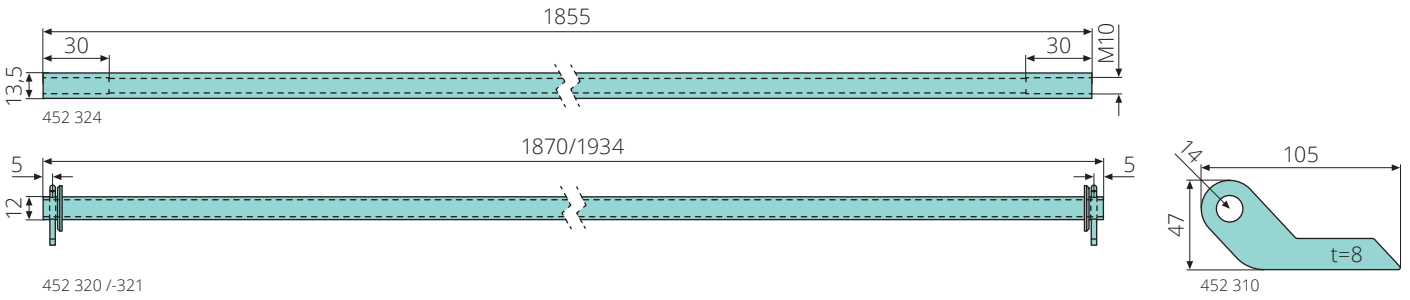


Article no.	Product	Description
452 922	DURAFLEX lid	for city skips 6m ³ , with connecting rod, black
452 924	DURAFLEX lid	for city skips 10-12m ³ , with connecting rod, lid hinge bar & 4 mouting plates, black

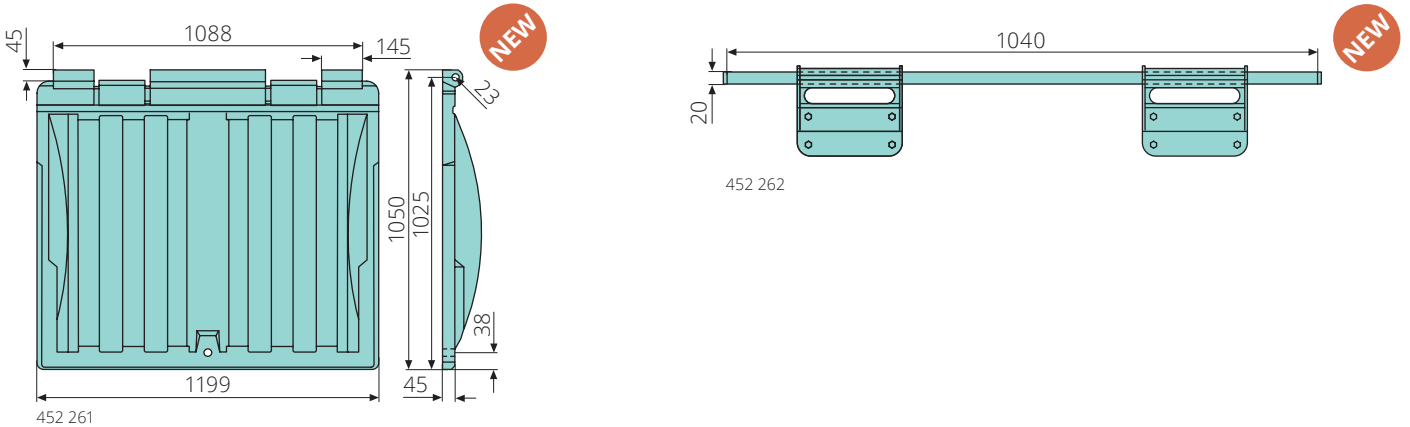


Article no.	Product	Description
452 303	DURAFLEX lid FO3757SM	1436x903mm, left, plastic, divided/overlapping, for front loading container, black
452 304	DURAFLEX lid FO3757MM	1436x903mm, right, plastic, divided/overlapping, for front loading container, black
452 250	DURAFLEX lid ND3357	837x1470mm, plastic, black
452 260	DURAFLEX lid ND3347	840x1223mm, plastic, black
452 251	DURAFLEX lid FL3457	877x1447mm, plastic, black
452 200	DURAFLEX lid GA3557	901x1464mm, plastic, black
452 220	DURAFLEX lid FL3647	908x1215mm, plastic, black
452 210	DURAFLEX lid FL3657	910x1455mm, plastic, black
452 230	DURAFLEX lid FM3757	932x1458mm, plastic, black
452 240	DURAFLEX lid AE3740	939x1020mm, plastic, black

DURAFLEX lids & Lid hinge bar systems

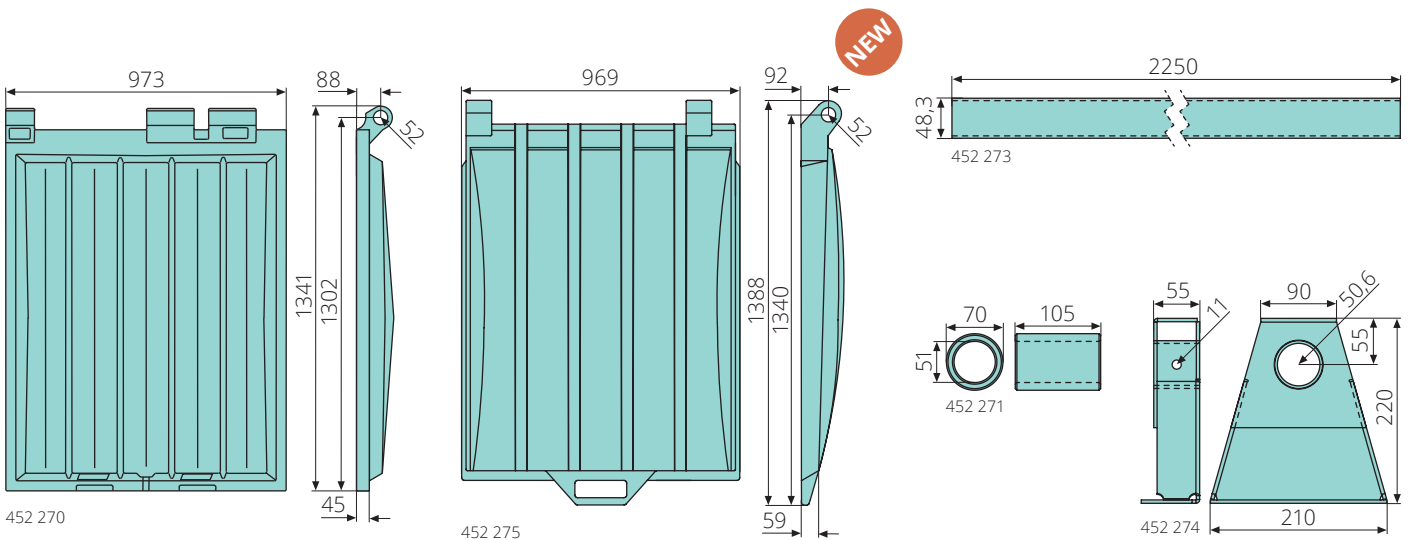


Article no.	Product	Description
452 324	Lid hinge bar	13,5x1855mm, galvanized, with thread M10 on both ends, für DURAFLEX lid with bore d=14mm
452 320	Lid hinge bar	12x1870mm, galvanized, with 2 washers & cotter pins, für DURAFLEX lid with bore d=14mm
452 321	Lid hinge bar	12x1934mm, galvanized, with 2 washers & cotter pins, für DURAFLEX lid with bore d=14mm
452 310	Mount for lid hinge bar	d=14mm



Article no.	Product	Description
452 261	DURAFLEX lid MH1100	1199x1050mm, plastic, black

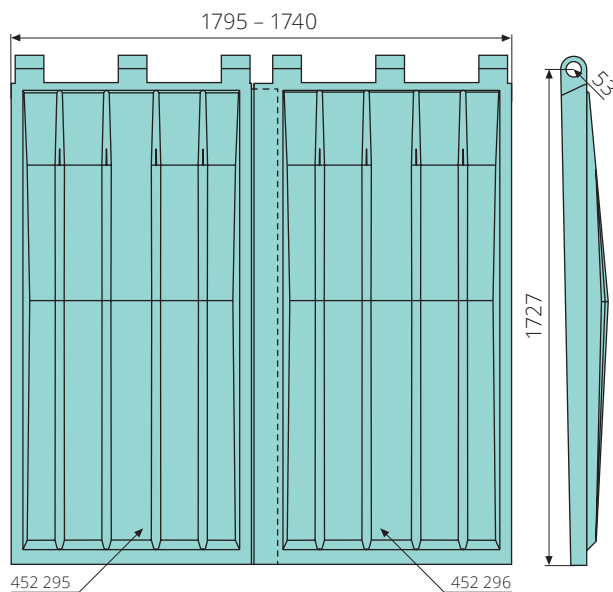
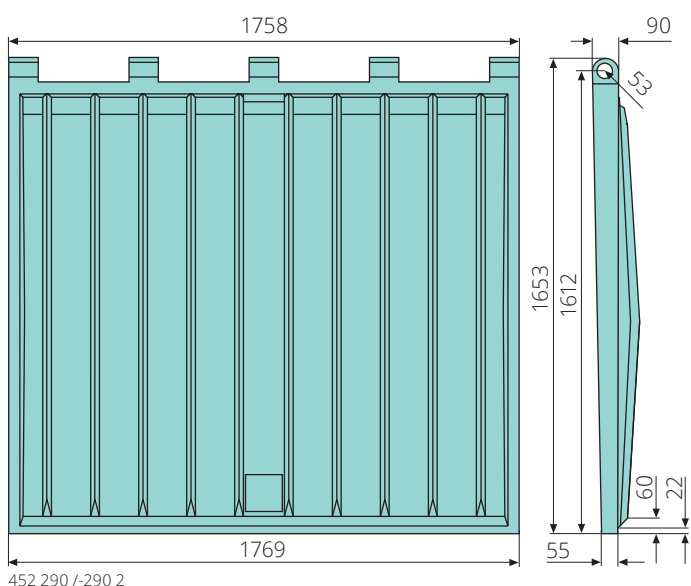
Article no.	Product	Description
452 262	Lid hinge bar kit	20x1040mm, with hinge bar, 2 plugs, 2 hinges & set of screws, plastic



Article no.	Product	Description
452 270	DURAFLEX lid EA3853	973x1341mm, plastic, black
452 275	DURAFLEX lid EA3850	969x1388mm, plastic, black

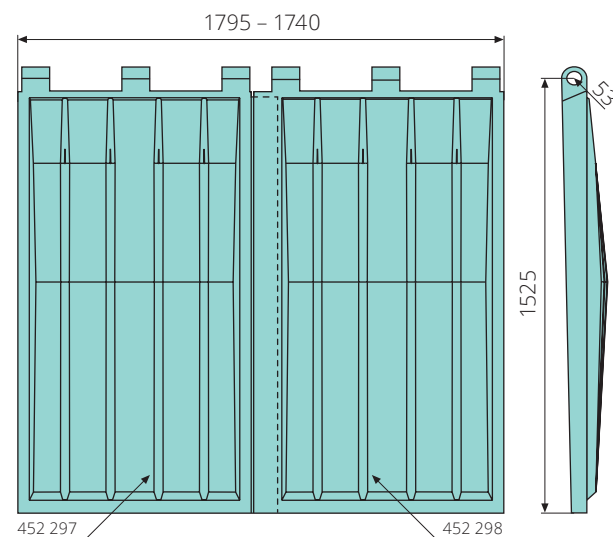
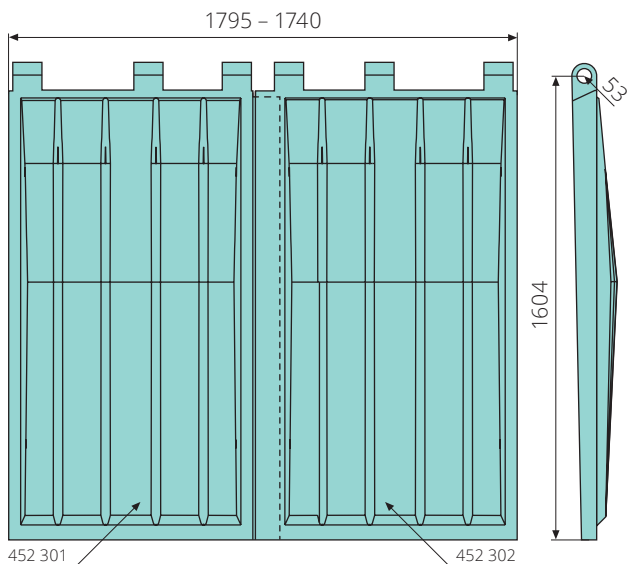
Article no.	Product	Description
452 273	Lid hinge bar	42,5-48,3-2250mm, galvanized, for DURAFLEX lid EA3853
452 271	Plastic bushing	51-70-105mm, for DURAFLEX lid EA3853
452 274	Mount for lid hinge bar	d=50,6mm, galvanized

Other colors on request, similar to RAL: 7015 5002 5015 6029 1003 2010 3020



Article no.	Product	Description
452 290	DURAFLEX lid AM6963	1769x1653mm, plastic, without bore & bushings, black
452 290 2	DURAFLEX lid AM6963	1769x1653mm, plastic, with 4 bores & bushings, black

Article no.	Product	Description
452 295	DURAFLEX lid AM3468SM	1727x903mm, left, plastic, divided/overlapping, black
452 296	DURAFLEX lid AM3468MM	1727x903mm, right, plastic, divided/overlapping, black



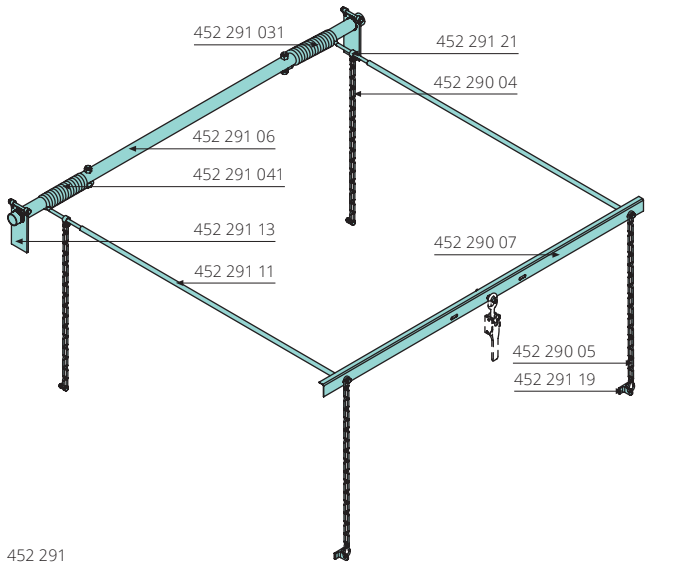
Article no.	Product	Description
452 301	DURAFLEX lid AM3463SM	1604x903mm, left, plastic, divided/overlapping, black
452 302	DURAFLEX lid AM3463MM	1604x903mm, right, plastic, divided/overlapping, black

Article no.	Product	Description
452 297	DURAFLEX lid AM3460SM	1525x903mm, left, plastic, divided, overlapping, black
452 298	DURAFLEX lid AM3460MM	1525x903mm, right, plastic, divided/overlapping, black

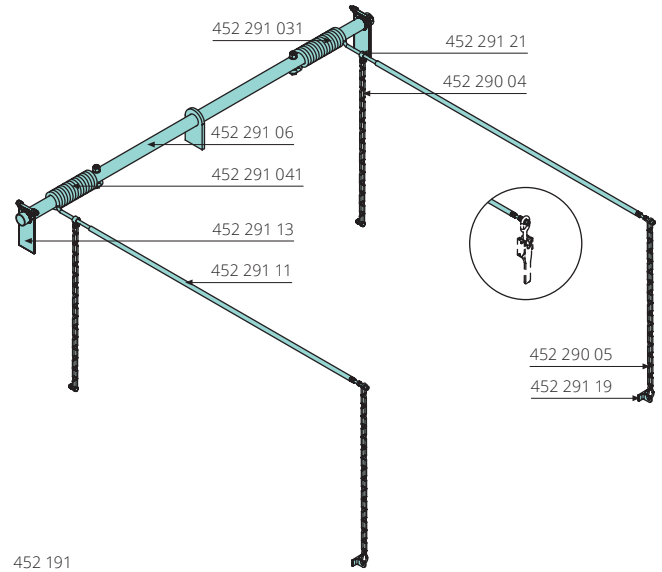
Other colors on request, similar to RAL: 7015 5002 5015 6029 1003 2010 3020

Spring relief systems with spiral springs

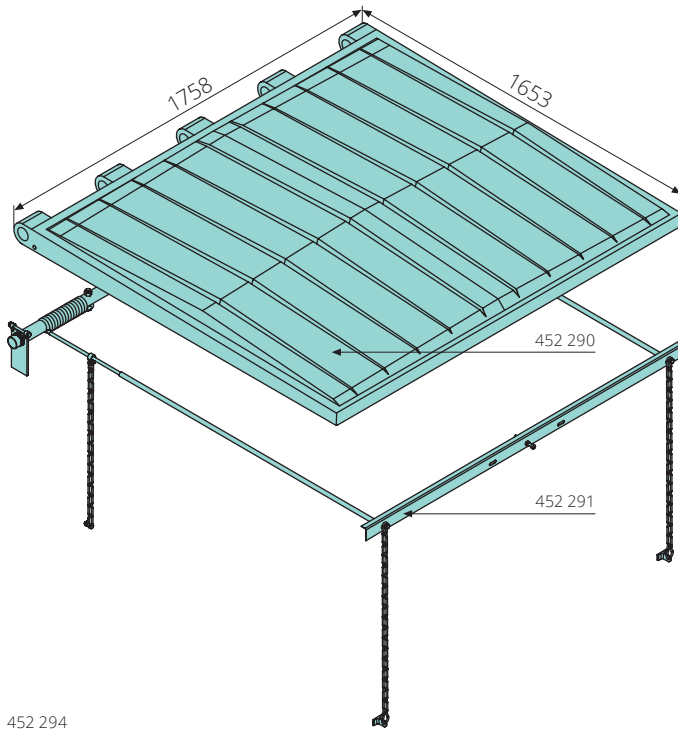
DURAFLEX lids / Spring relief systems with spiral springs



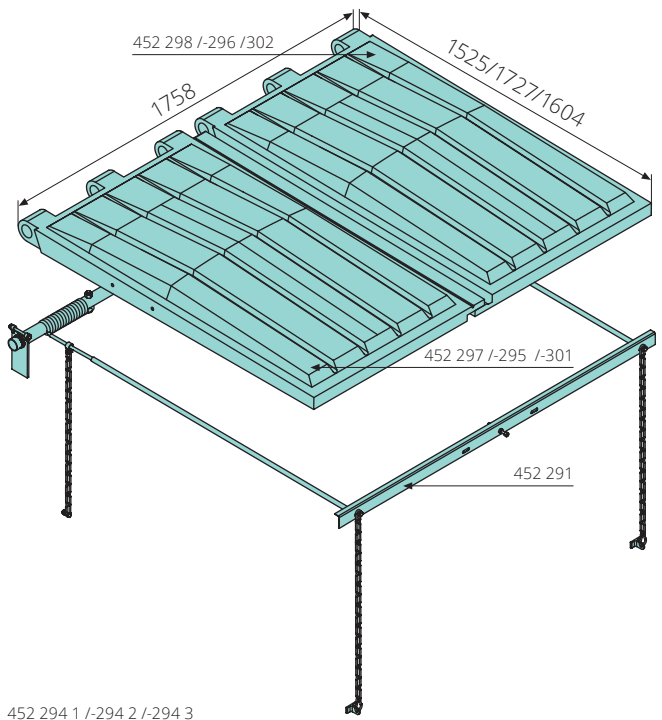
452 291



452 191



452 294

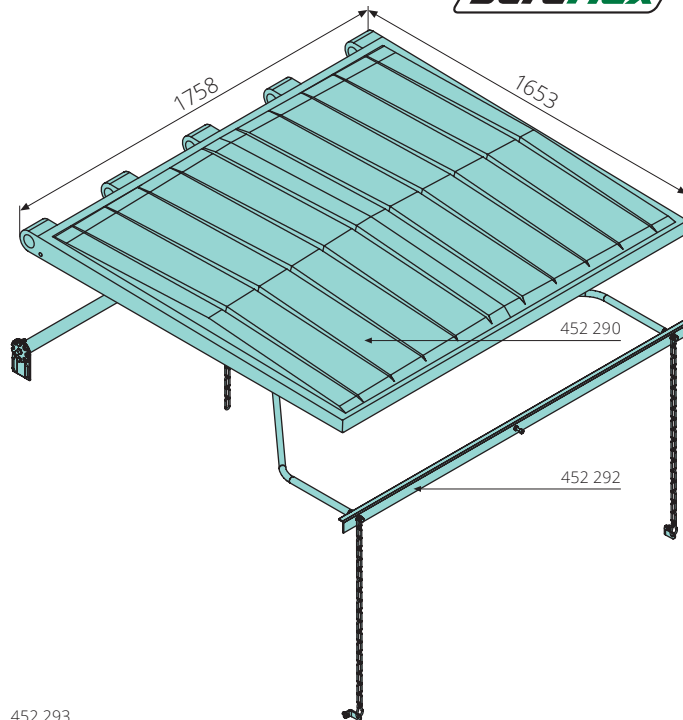
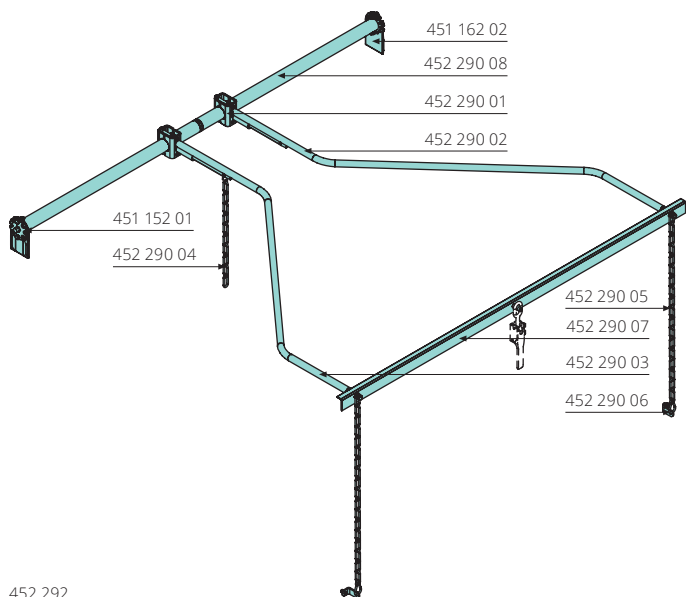


452 294 1 /-294 2 /-294 3

Article no.	Product	Description
452 291	Spring relief system	for DRURAFELX lids AM6963 / AM3460SM /-MM / AM3468SM /-MM (452 290 /-297 /-298 /-295 /-296)
452 191	Spring relief system	for divided DRURAFELX-lids AM3460SM /-MM (452 297 /-298), for separate opening
452 294	Spring relief system complete	1758x1653mm, spring relief system (452 291) & DURAFLEX lid AM6963 (452 290)
452 294 1	Spring relief system complete	1758x1525mm, spring relief system (452 291) & DURAFLEX lids AM3460SM /-MM (452 297 /-298)
452 294 2	Spring relief system complete	1758x1727mm, spring relief system (452 291) & DURAFLEX lids AM3468SM /-MM (452 295 /-296)
452 294 3	Spring relief system complete	1758x1604mm, spring relief system (452 291) & DURAFLEX lids AM3463SM /-MM (452 301 /-302)

Article no.	Product	Description
452 291 031	Spiral spring	d=51mm, right, powder coated
452 291 041	Spiral spring	d=51mm, left, powder coated
452 291 06	Lid hinge bar	48,3x1850mm, galvanized
452 290 07	L-bracket	52x25x1750mm, galvanized, with screws, nuts & washers
452 291 11	Support bar	18x1390mm, with welded nut, galvanized
452 291 13	Anchoring plate	d=49mm, with screw & nut for adjusting, galvanized
452 290 04	Safety chain	D=4,5mm, galvanized
452 290 05	Fastening chain	D=4,5mm, with snap hook, galvanized
452 291 19	Fastening bracket	d=10mm, galvanized
452 291 21	Fastening clasp	d=21mm, for safety chain, galvanized

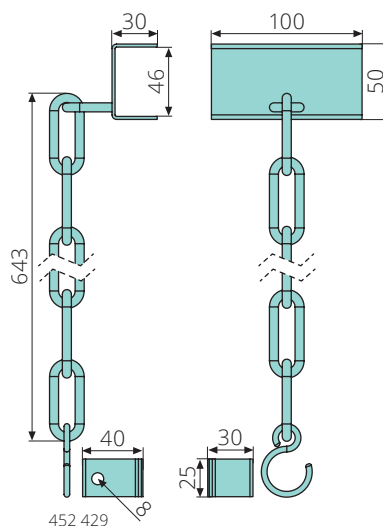
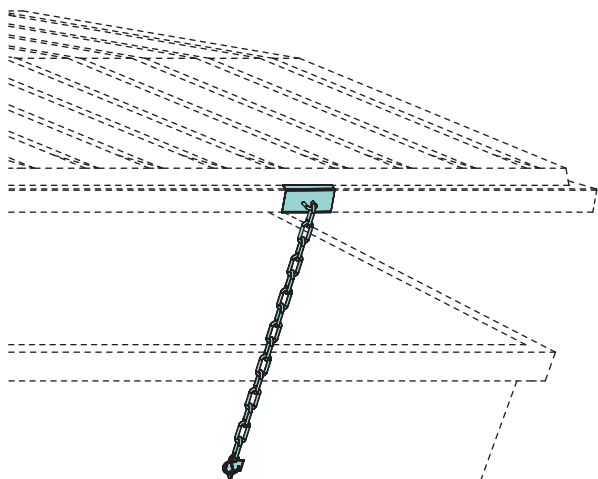
Spring relief system with spring bars



Article no.	Product	Description
452 292	Spring relief system with spring bars	for DURAFLEX lid AM6963 (452 290 2), galvanized, kit
452 293	Spring relief system with spring bars complete	1758x1653mm, spring relief system (452 292) & DURAFLEX lid AM6963 (452 290 2)

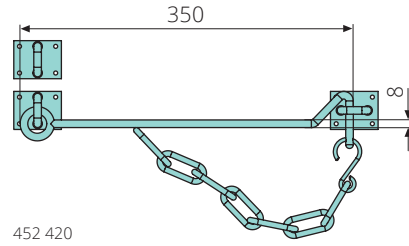
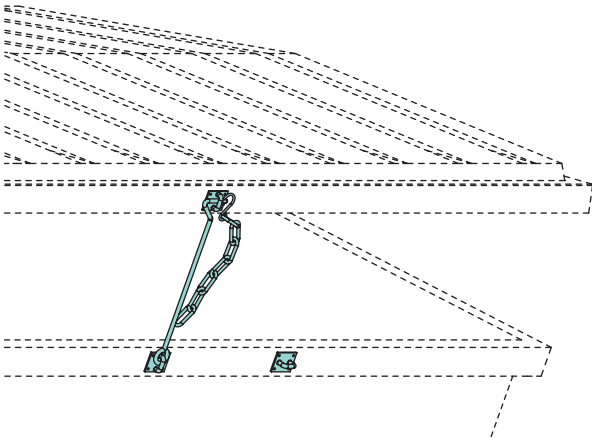
Article no.	Product	Description
452 290 01	Connecting part	d=48,5mm, galvanized
452 290 03	Support bar	25x1415mm, left, galvanized
452 290 02	Support bar	25x1415mm, right, galvanized
452 290 04	Safety chain	D=4,5mm, galvanized
452 290 05	Fastening chain	D=4,5mm, with snap hook, galvanized
452 290 06	Fastening bracket	50x30x25mm, galvanized, with screw & nut M6
452 290 07	L-bracket	52x25x1750mm, galvanized, with screws, nuts & washers
452 290 08	Lid hinge bar	48x1840mm, with connector pin, preassembled, galvanized
451 170 01	Spring bar	859x40x3mm, for assembly kit 452 292
451 162 02	Anchoring plate	d=41mm, 12 bores d=11mm, forged, galvanized
451 152 01	External pin	D=40mm, L=56mm, slot 13x28mm, hexagon SW17, cast steel, galvanized

Lid securing system



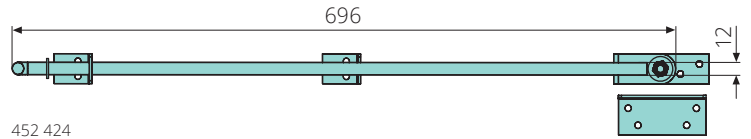
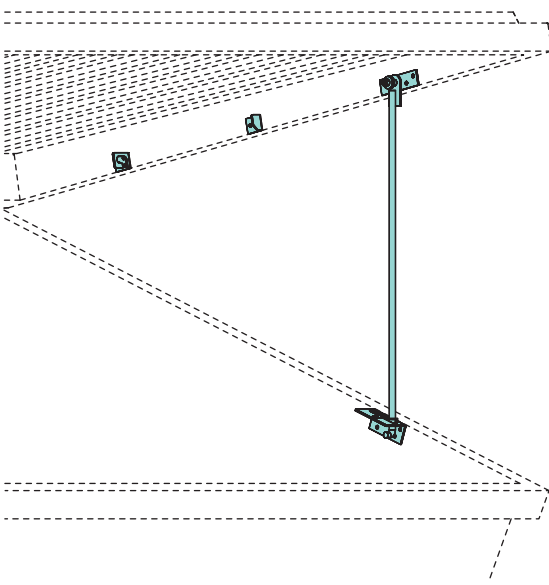
Article no.	Product	Description
452 429	Lid securing system	L=643mm, galvanized, for lids with counter spring system

Lid detents



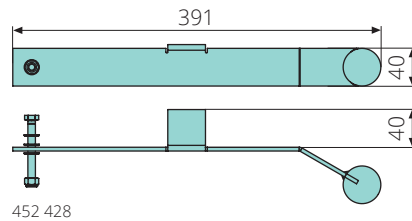
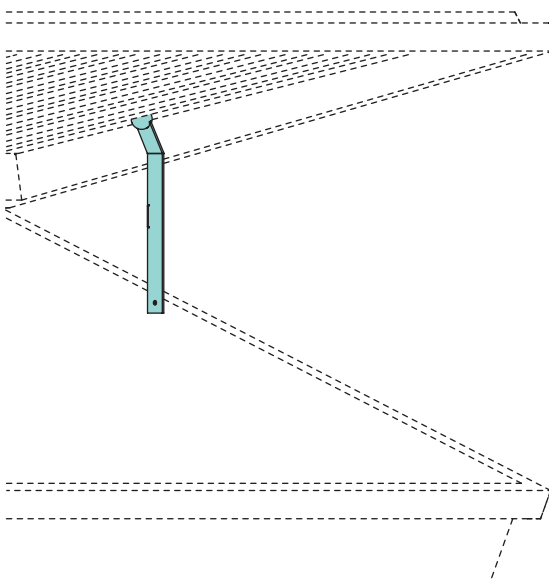
452 420

Article no.	Product	Description
452 420	Lid detent	L=350mm, galvanized, for DURAFLEX lids wider than 800mm

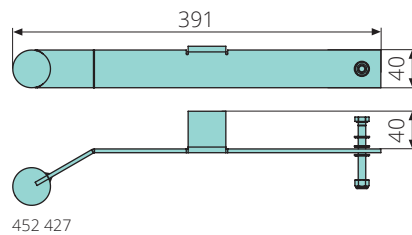


452 424

Article no.	Product	Description
452 424	Lid detent	L=696mm, galvanized



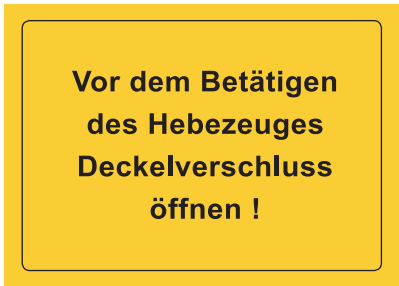
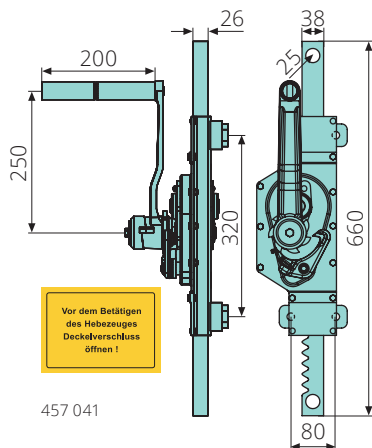
452 428



452 427

Article no.	Product	Description
452 428	Lid detent	L=391mm, right, galvanized, with screw, washer & nut
452 427	Lid detent	L=391mm, left, galvanized, with screw, washer & nur

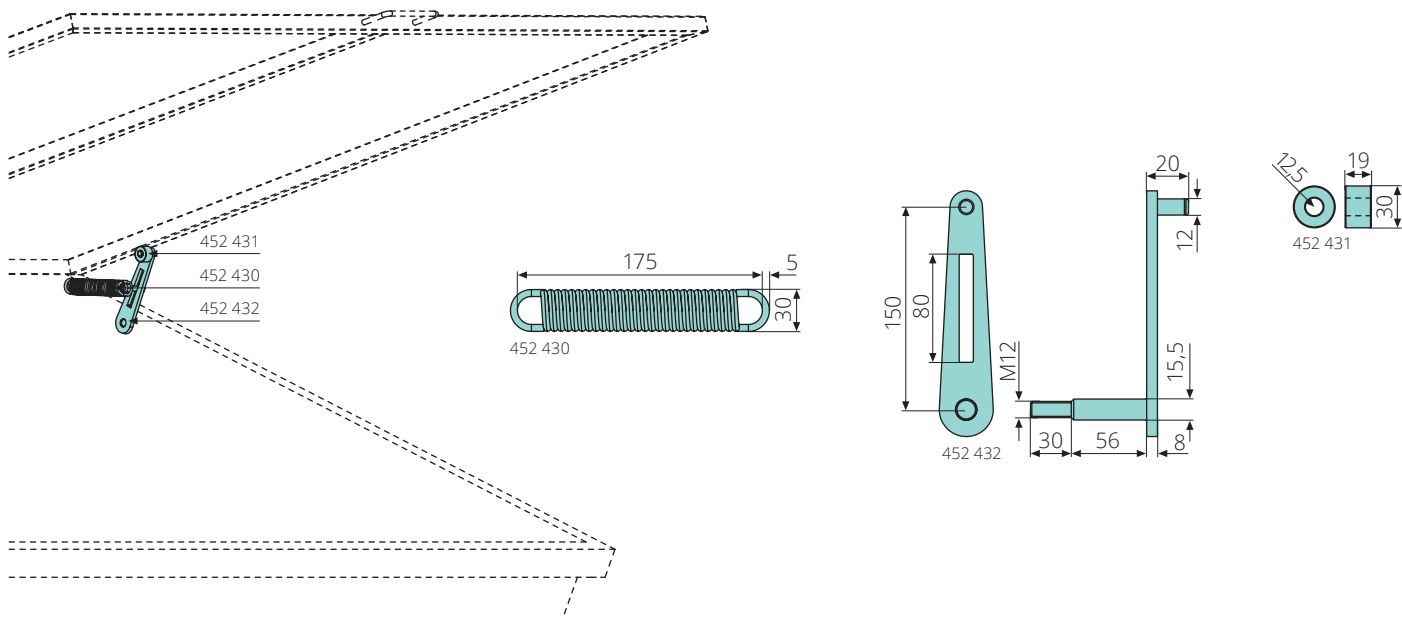
Container wall jack



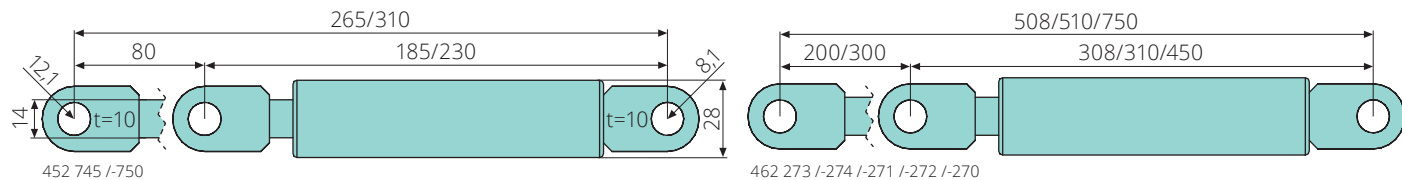
Article no.	Product	Description
457 041	Container wall jack	lifting force 1,75t, lifting capacity 2,5t, stroke 350mm,

Article no.	Product	Description
459 229 1	PVC sticker "Deckelverschluss öffnen!"	210x150mm
459 229	PVC sticker "Deckelverschluss öffnen!"	210x150mm, 2 stickers/sheet

Opening aids / Gas springs

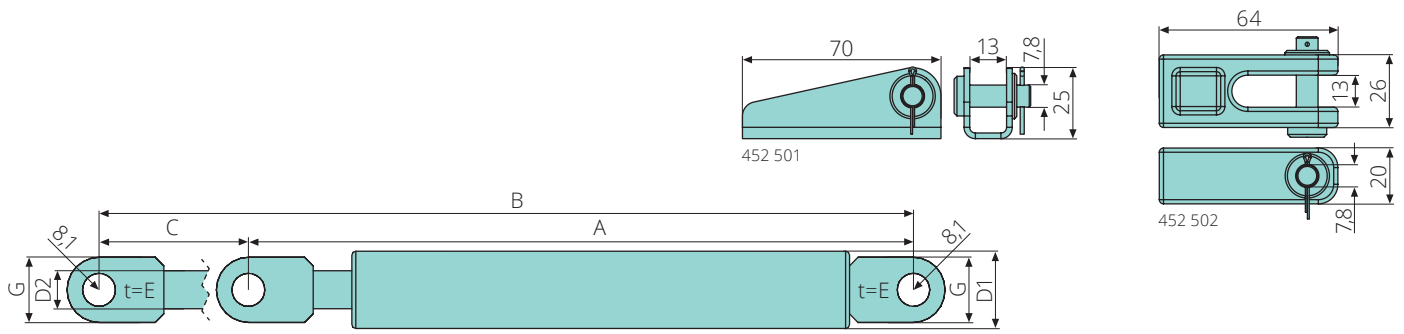


Article no.	Product	Description
452 430	Tension spring	30x175mm, type IVB
452 432	Mount for polyamide roller	D=12mm, galvanized, type IVB
452 431	Polyamide roller	12,5-30-19mm, type IVB



Article no.	Product	Description
452 745	Gas spring	L=265mm, 650N, stroke 80mm, type BERINGER
452 750	Gas spring	L=310mm, 650N, stroke 80mm, type BERINGER
462 273	Gas spring	2000N, stroke 200mm, total length 508mm, eyes with thread, type HUSMANN
462 274	Gas spring	1000N, stroke 200mm, total length 510mm, eyes with thread, type HUSMANN
462 271	Gas spring	1500N, stroke 200mm, total length 510mm, eyes with thread, OEM Nr. 01908020, type HUSMANN
462 272	Gas spring	1750N, stroke 200mm, total length 510mm, eyes with thread, OEM Nr. 01908025, type HUSMANN
462 270	Gas spring	2000N, stroke 300mm, total length 750mm, eyes with thread, type HUSMANN

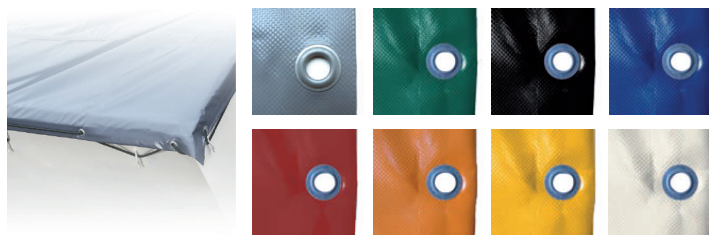
Gas springs



Article no.	Product	Spring force	Stroke C	Lenght A	Lenght B	Clinder D1	Piston D2	Eyes			
452 500	Gas spring	250N	100mm	201mm	300,5mm	22mm	10mm	E = 12mm G = 17mm Eyes with thread			
452 505	Gas spring	500N		150mm	295mm				444,5mm		
452 510	Gas spring	250N	200mm		305mm				504,5mm		
452 515	Gas spring	500N		250mm	402mm				651,5mm		
452 520	Gas spring	750N	300mm		451mm				750,5mm		
452 525	Gas spring	1000N		300mm	450mm				749,5mm		
452 530	Gas spring	250N	400mm		496,5mm				896,5mm		
452 535	Gas spring	500N		100mm	185mm				285mm	22mm	14mm
452 540	Gas spring	750N	150mm		235mm				385mm		
452 545	Gas spring	1000N		200mm	285mm				485mm		
452 550	Gas spring	250N	250mm		335mm	585mm					
452 555	Gas spring	500N		300mm	385mm	685mm					
452 560	Gas spring	750N	400mm		490mm	890mm					
452 565	Gas spring	1000N									
452 571	Gas spring	500N									
452 575	Gas spring	750N									
452 580	Gas spring	1000N									
452 585	Gas spring	1250N									
452 590	Gas spring	1500N									
452 595	Gas spring	500N									
452 600	Gas spring	750N									
452 605	Gas spring	1000N									
452 610	Gas spring	1250N									
452 615	Gas spring	1500N									
452 620	Gas spring	2000N									
452 625	Gas spring	250N									
452 630	Gas spring	500N									
452 635	Gas spring	250N									
452 640	Gas spring	500N									
452 645	Gas spring	750N									
452 650	Gas spring	1000N									
452 655	Gas spring	1150N									
452 660	Gas spring	250N									
452 665	Gas spring	500N									
452 670	Gas spring	750N									
452 675	Gas spring	1000N									
452 680	Gas spring	1150N									
452 685	Gas spring	250N									
452 690	Gas spring	500N									
452 695	Gas spring	750N									
452 700	Gas spring	1000N									
452 705	Gas spring	1150N									
452 710	Gas spring	500N									
452 715	Gas spring	750N									
452 720	Gas spring	1000N									
452 725	Gas spring	1150N									
452 730	Gas spring	500N									
452 735	Gas spring	750N									
452 740	Gas spring	950N									

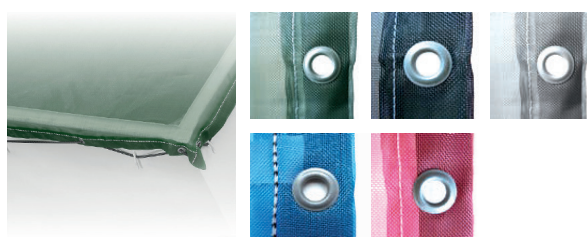
Article no.	Product	Description
452 502	Bracket for gas spring	with pin, cotter pin & washer
452 501	Bracket for gas spring	with pin, cotter pin & washer

Tarpaulins



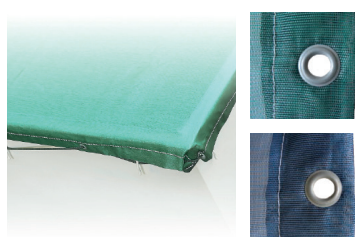
- waterproof
- eyelet every 40 cm
- without rubber cord
- other sizes & with rubber cord on request

Article no.	Product	Description
470 100	Container tarpaulin PE/PVC	for 7m ³ container, 2,3x4,5m, 630g/m ² , grey
470 560	Container tarpaulin PE/PVC	for 7m ³ container, 2,3x4,5m, 630g/m ² , green, black, blue, red, orange, yellow or white
470 590	Container tarpaulin PE/PVC	for 7m ³ container, 2,3x4,5m, 620g/m ² , reinforced corners, grey
470 105	Container tarpaulin PE/PVC	for 10m ³ container, 2,3x5,0m, 630g/m ² , grey
470 565	Container tarpaulin PE/PVC	for 10m ³ container, 2,3x5,0m, 630g/m ² , green, black, blue, red, orange, yellow or white
470 595	Container tarpaulin PE/PVC	for 10m ³ container, 2,3x5,0m, 620g/m ² , reinforced corners, grey



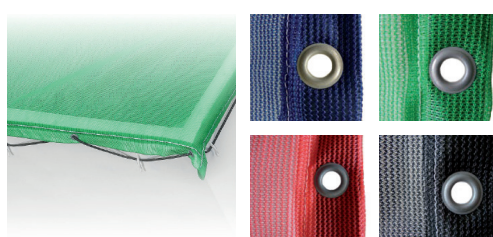
- stable, air-permeable
- firm, very resistant to abrasion
- eyelet every 40 cm
- without rubber cord
- other sizes, other colours & with rubber cord on request

Article no.	Product	Description
470 130	PE-monofilament tarpaulin	for 7m ³ container, 2,3x4,5m, 200g/m ² , green, black, grey, blue or red
470 135	PE-monofilament tarpaulin	for 10m ³ container, 2,3x5,0m, 200g/m ² , green, black, grey, blue or red



- dense weave
- eyelet every 40 cm
- without rubber cord
- other sizes and with rubber cord on request

Article no.	Product	Description
470 300	Fabric tarpaulin PE	for 7m ³ container, 2,3x4,5m, 190g/m ² , green or blue
470 305	Fabric tarpaulin PE	for 10m ³ container, 2,3x5,0m, 190g/m ² , green or blue



- easily folded, air-permeable
- eyelet every 40 cm
- without rubber cord
- other sizes, other colours & with rubber cord on request

Article no.	Product	Description
470 515	PE monofilament tarpaulin	for 7m ³ container, 2,3x4,5m, 220g/m ² , green, black, gray or red
470 520	PE monofilament tarpaulin	for 10m ³ container, 2,3x5,0m, 220g/m ² , green, black, gray or red
470 525	PE monofilament tarpaulin	for 10m ³ container, 3,1x5,0m, 220g/m ² , green, black, gray or red



- air-permeable
- eyelet every 40 cm
- without rubber cord
- other sizes and with rubber cord on request

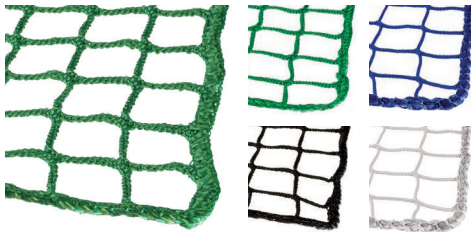
Article no.	Product	Description
470 331	Woven band tarpaulin PE	for 10m ³ container, 3,1x5,0m, 200g/m ² , green
470 330	Woven band tarpaulin PE	for 10m ³ container, 3,5x5,0m, 200g/m ² , green

Nets



- gute Steifigkeit, sehr strapazierfähig
- mit Randkordel
- keine Wasseraufnahme
- 8 Jahre UV-stabil
- Sondergrößen auf Anfrage
- Lieferzeit auf Anfrage

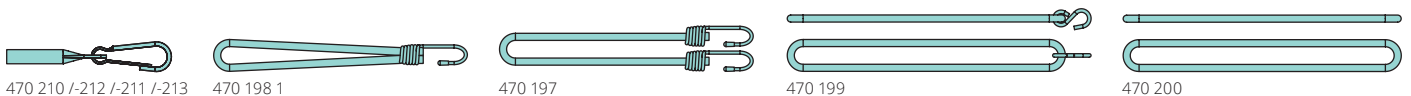
Article no.	Product	Description
470 160	Rope cargo net PE	for 5-10m ³ container, 3,5x5,0m, 300g/m ² , 2,3mm, mesh width 25mm, green
470 165	Rope cargo net PE	for 5-10m ³ container, 3,5x6,0m, 300g/m ² , 2,3mm, mesh width 25mm, green



- high-strength
- with border rope
- reinforced border
- other sizes on request

Article no.	Product	Description
470 455	Synthetic net PP	1,7x2,5m, 200g/m ² , 3mm, mesh width 30mm, green, blue or black
470 485	Synthetic net PP	1,7x2,5m, 170g/m ² , 3mm, mesh width 45mm, green, blue, black or white
470 400	Synthetic net PP	for 5m ³ container, 2,5x4,5m, 130g/m ² , 2,3mm, mesh width 45mm, green or black
470 405	Synthetic net PP	for 5-10m ³ container, 3,0x5,0m, 130g/m ² , 2,3mm, mesh width 45mm, green or black
470 430	Synthetic net PP	for 5-10m ³ container, 3,0x5,0m, 200g/m ² , 2,5mm, mesh width 20mm, green
470 460	Synthetic net PP	for 5-10m ³ container, 3,0x5,0m, 200g/m ² , 3mm, mesh width 30mm, green, blue or black
470 490	Synthetic net PP	for 5-10m ³ container, 3,0x5,0m, 170g/m ² , 3mm, mesh width 45mm, green, blue, black or white
470 410	Synthetic net PP	for 5-10m ³ container, 3,5x6,0m, 130g/m ² , 2,3mm, mesh width 45mm, green or black
470 435	Synthetic net PP	for 5-12m ³ container, 3,5x6,0m, 200g/m ² , 2,5mm, mesh width 20mm, green
470 465	Synthetic net PP	for 5-10m ³ container, 3,5x6,0m, 200g/m ² , 3mm, mesh width 30mm, green, blue or black
470 495	Synthetic net PP	for 5-10m ³ container, 3,5x6,0m, 170g/m ² , 3mm, mesh width 45mm, green, blue, black or white

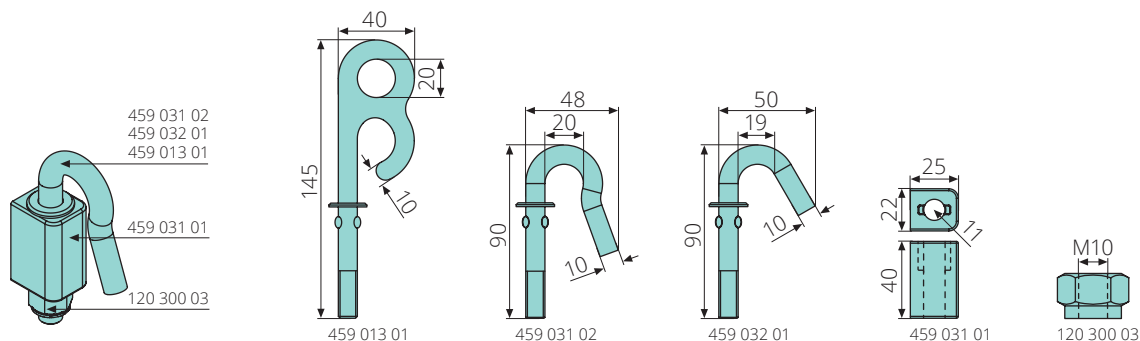
Rubber cords & accessories



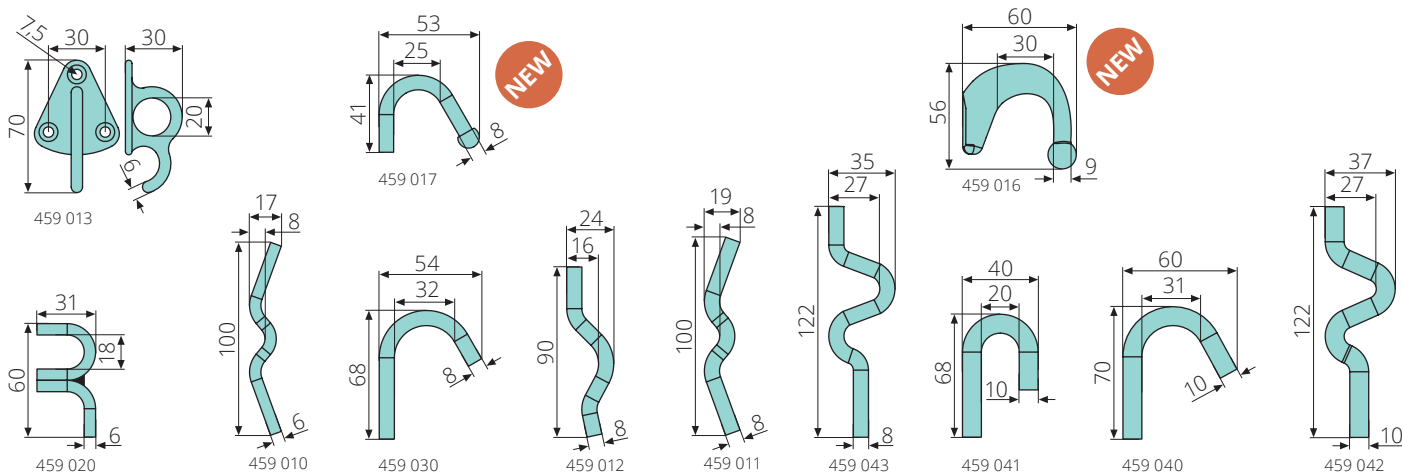
Article no.	Product	Description
470 210	Cable end closure	d=8mm, with hook, galvanized
470 212	Cable end closure	d=8mm, with hook, galvanized, PU 100 pieces, price/PU
470 211	Cable end closure	d=10mm, with hook, galvanized
470 213	Cable end closure	d=10mm, with hook, galvanized, PU 100 pieces, price/PU
470 198 1	Stretch lashing	D=5,4mm, L=400mm, stretch rope, with spiral hook
470 198	Stretch lashing	D=8mm, L=400mm, stretch rope, with spiral hook
470 197	Stretch lashing	D=9mm, L=800mm, stretch rope, with spiral hooks on both ends
470 199	Rubber lashing loop	D=8mm, L=400mm, with s-hook, galvanized
470 200	Rubber lashing loop	D=8mm, L=400mm

Article no.	Product	Description
470 127	Rubber cord	D=8mm, 50m bundle
470 126	Rubber cord	D=10mm, 50m bundle
470 196	Stretch rope	D=8mm, 100m bundle, single-stranded
470 129	Stretch rope	D=10mm, 50m bundle, single-stranded
470 128	Stretch rope	D=10mm, 100m bundle, single-stranded

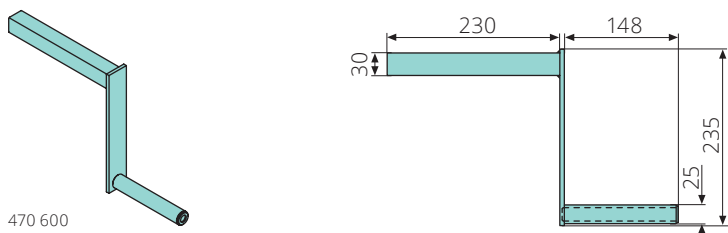
Tarpaulin hooks / Crank handle



Article no.	Product	Description
459 013 01	Tarpaulin hook with thread	10x145mm, M10, galvanized, with eye
459 031 02	Tarpaulin hook with thread	10x90mm, M10, galvanized, curved
459 032 01	Tarpaulin hook with thread	10x90mm, M10, galvanized
459 031 01	Mount for tarpaulin hook	40x22x25mm, d=11mm, cast steel
120 300 03	Hex head nut	M10, self-locking, galvanized, ISO 7040

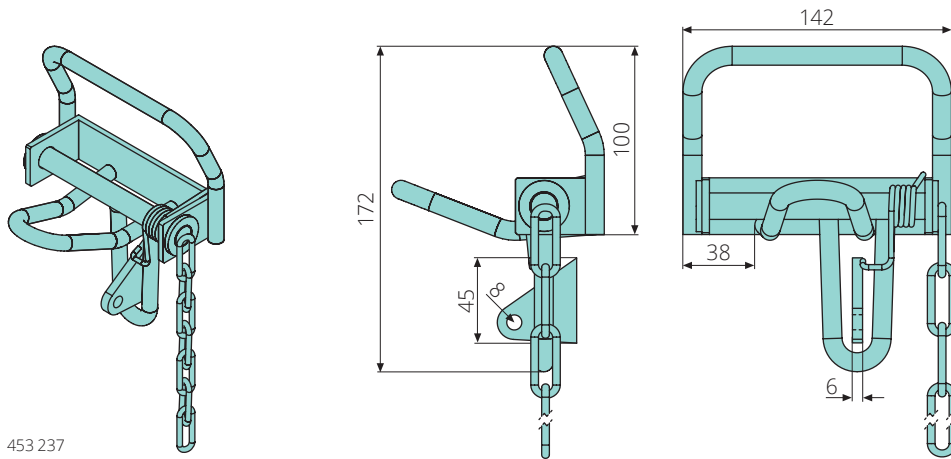


Article no.	Product	Description
459 013	Tarpaulin hook	6x70mm, for bolted mounting, galvanized
459 020	Tarpaulin hook	6x60mm
459 010	Tarpaulin hook	6x100mm
459 017	Tarpaulin hook	8x41mm
459 030	Tarpaulin hook	8x68mm
459 012	Tarpaulin hook	8x90mm
459 011	Tarpaulin hook	8x100mm
459 043	Tarpaulin hook	8x122mm
459 016	Tarpaulin hook	9x56mm
459 041	Tarpaulin hook	10x68mm
459 040	Tarpaulin hook	10x70mm
459 042	Tarpaulin hook	10x122mm



Article no.	Product	Description
470 600	Crank handle	for rolling tarpaulin, S235JR, galvanized

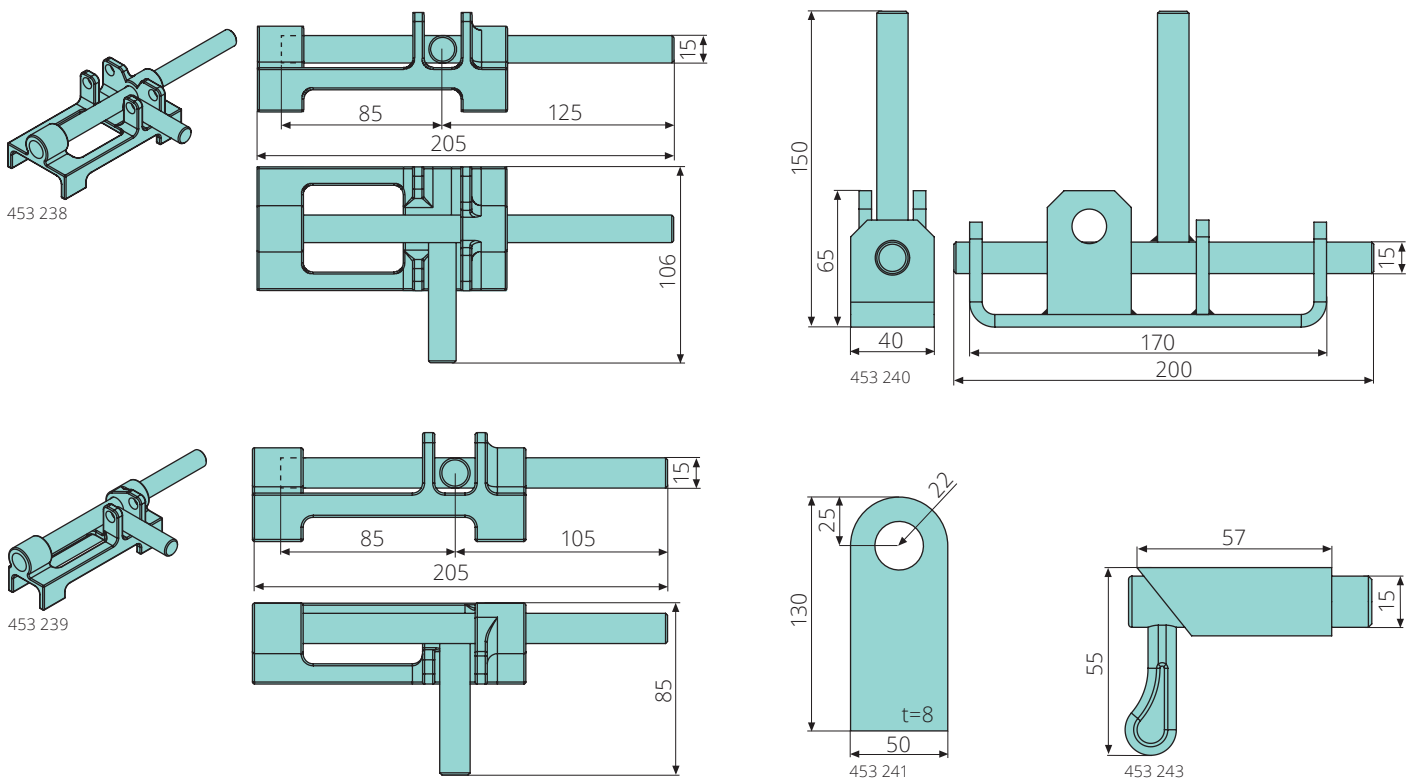
Lid locking device



453 237

Article no.	Product	Description
453 237	Lid locking device	with locking plate, with padlock fitting, for skip lids

Bolt locks



453 238

453 239

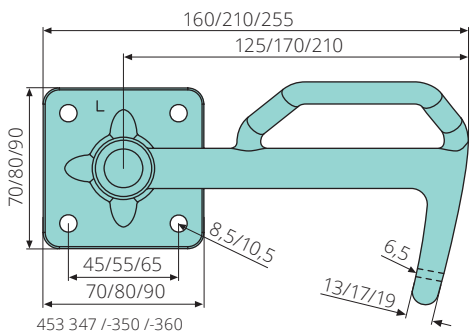
453 240

453 241

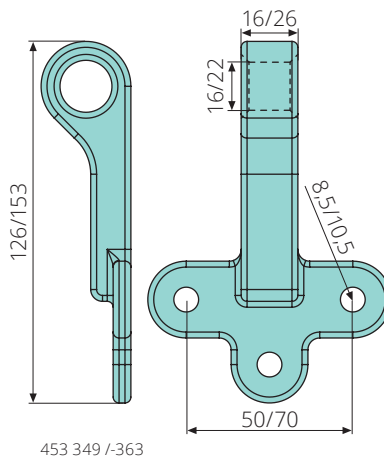
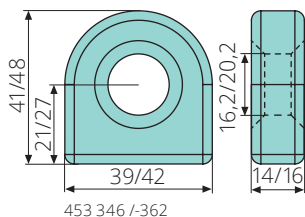
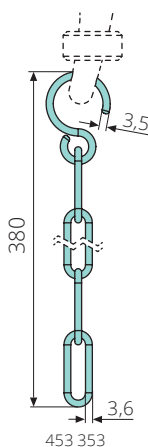
453 243

Article no.	Product	Description
453 238	Bolt lock	D=15mm, left/right, with padlock fitting
453 239	Bolt lock	D=15mm, right, with padlock fitting
453 240	Bolt lock	D=15mm, left/right, with padlock fitting
453 241	Locking plate for bolt lock	d=22mm
453 243	Spring bolt	D=15mm, galvanized

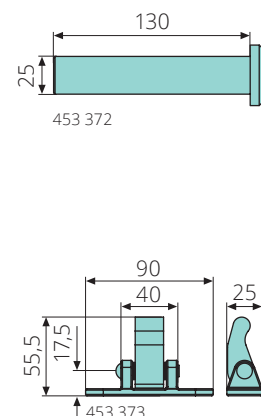
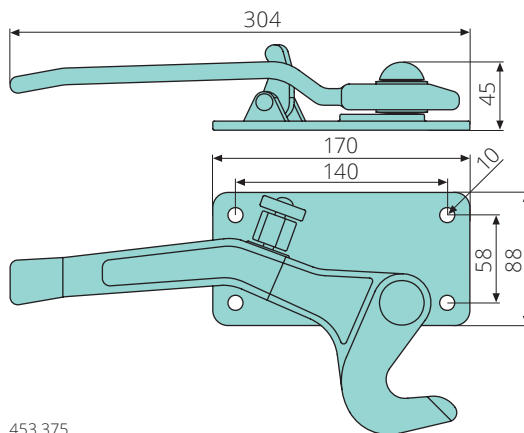
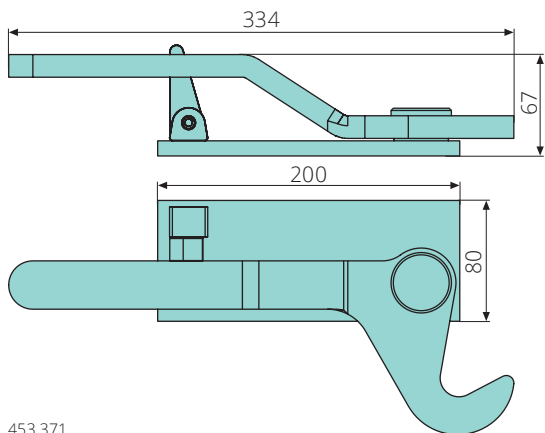
Tailgate locks



Article no.	Product	Description
453 347	Tailgate lock	D=13mm, left, size 1, hook L=125mm, plate 70x70mm, galvanized
453 348	Tailgate lock	D=13mm, right, size 1, hook L=125mm, plate 70x70mm, galvanized
453 350	Tailgate lock	D=17mm, left, size 2, hook L=170mm, plate 80x80mm, galvanized
453 351	Tailgate lock	D=17mm, right, size 2, hook L=170mm, plate 80x80mm, galvanized
453 360	Tailgate lock	D=19mm, left, size 3, hook L=210mm, plate 90x90mm, galvanized
453 361	Tailgate lock	D=19mm, right, size 3, hook L=210mm, plate 90x90mm, galvanized

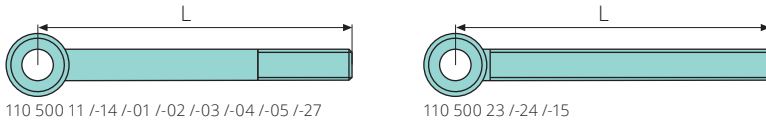


Article no.	Product	Description
453 353	Safety hook with chain	D=3,8mm, L=380mm, galvanized, packaging unit of 10
453 346	Eye	d=16,2mm, for tailgate lock size 1, for welding
453 349	Eye	d=16mm, for tailgate lock size 1, for welding, galvanized
453 362	Eye	d=20,2mm, for lock latches Size 2+3, for welding
453 363	Eye	d=22mm, for tailgate lock size 2/3, for bolted mounting, galvanized



Article no.	Product	Description
453 371	Tailgate lock	left, plate 10mm
453 370	Tailgate lock	right, plate 10mm
453 375	Tailgate lock	left, forged
453 376	Tailgate lock	right, forged
453 372	Locking pin	25x130mm, for tailgate locks
453 373	Safety latch	cast steel

Eyebolts

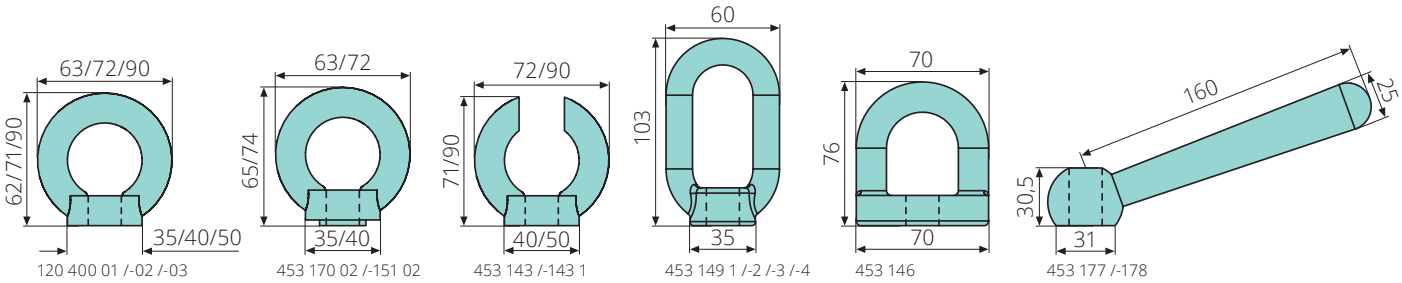


110 500 11 /-14 /-01 /-02 /-03 /-04 /-05 /-27
110 500 17 /-06 /-07 /-08 /-09 /-10 /-26 /-25

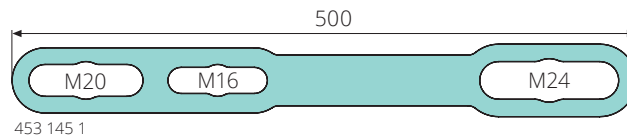
110 500 23 /-24 /-15

Article no.	Product	Description
110 500 11	Eyebolt	M12x70mm, DIN 444
110 500 14	Eyebolt	M16x70mm, DIN 444
110 500 01	Eyebolt	M16x120mm, galvanized, DIN 444
110 500 02	Eyebolt	M16x140mm, galvanized, DIN 444
110 500 03	Eyebolt	M16x160mm, galvanized, DIN 444
110 500 04	Eyebolt	M16x180mm, galvanized, DIN 444
110 500 05	Eyebolt	M16x200mm, galvanized, DIN 444
110 500 24	Eyebolt	M16x200mm, galvanized, continuous thread, DIN 444
110 500 27	Eyebolt	M18x200mm, galvanized, DIN 444
110 500 17	Eyebolt	M20x100mm, galvanized, DIN 444
110 500 06	Eyebolt	M20x120mm, galvanized, DIN 444
110 500 07	Eyebolt	M20x140mm, galvanized, DIN 444
110 500 08	Eyebolt	M20x160mm, galvanized, DIN 444
110 500 09	Eyebolt	M20x180mm, galvanized, DIN 444
110 500 15	Eyebolt	M20x200mm, galvanized, continuous thread, DIN 444
110 500 10	Eyebolt	M20x220mm, galvanized, DIN 444
110 500 23	Eyebolt	M24x180mm, galvanized, continuous thread, DIN 444
110 500 26	Eyebolt	M24x250mm, galvanized, eye d=25mm
110 500 25	Eyebolt	M24x270mm, galvanized, DIN 444

Ring nuts

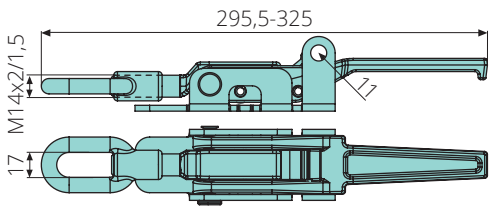


Article no.	Product	Description
120 400 01	Ring nut	M16, galvanized, DIN 582
453 170 02	Ring nut with collar	M16, galvanized, collar 3x18mm
453 149 1	Ring nut	M16
453 149 2	Ring nut	M18
120 400 02	Ring nut	M20, galvanized, DIN 582
453 151 02	Ring nut with collar	M20, galvanized, collar 3x22mm
453 143	Ring nut with slit	M20, galvanized, slit 24mm
453 149 3	Ring nut	M20
453 146	Ring nut	M20, galvanized
120 400 03	Ring nut	M24, galvanized, DIN 582
453 143 1	Ring nut with slit	M24, galvanized, slit 28mm
453 149 4	Ring nut	M24
453 177	Nut with handle	M16, galvanized
453 178	Nut with handle	M20, galvanized

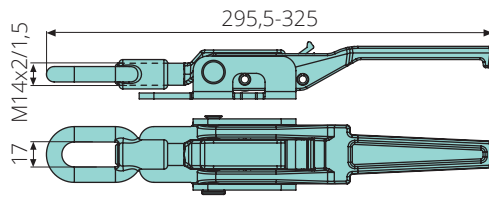


Article no.	Product	Description
453 145 1	Key for ring nuts	500x50x12mm, for M16, M20 & M24, galvanized

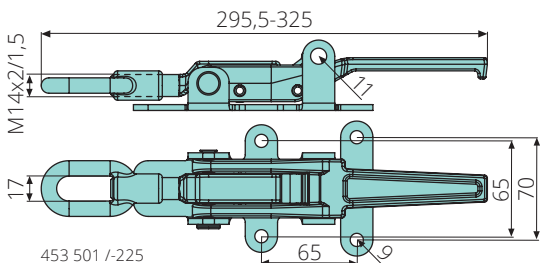
Over centre locks



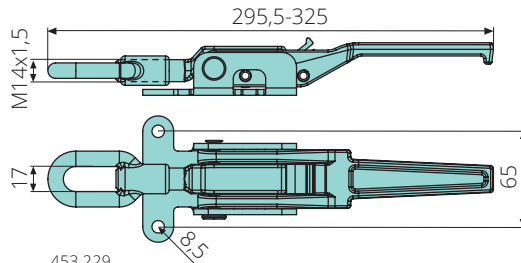
453 500 / -224



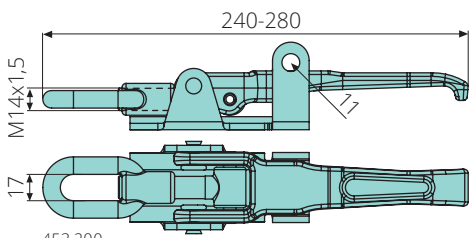
453 510 / -226



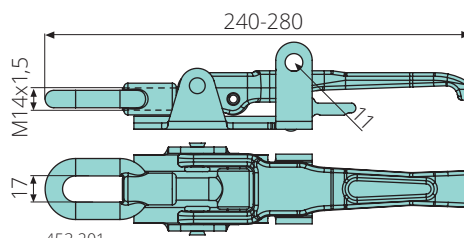
453 501 / -225



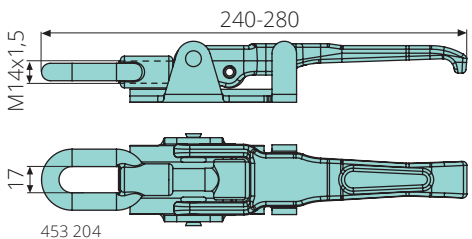
453 229



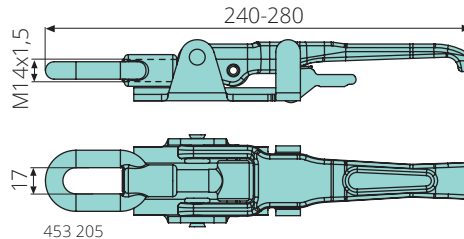
453 200



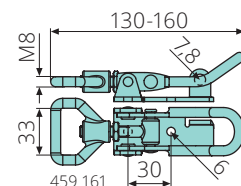
453 201



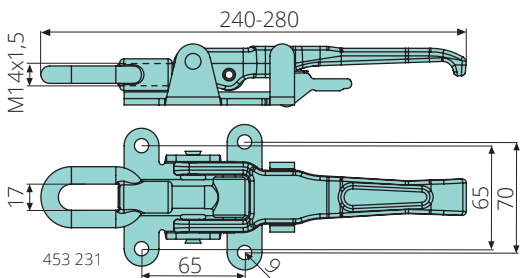
453 204



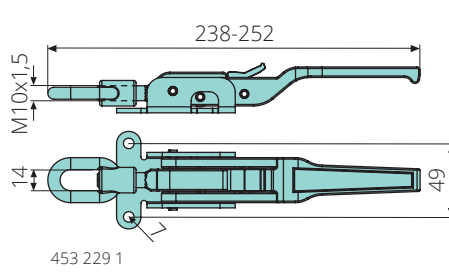
453 205



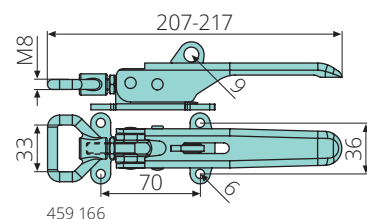
459 161



453 231



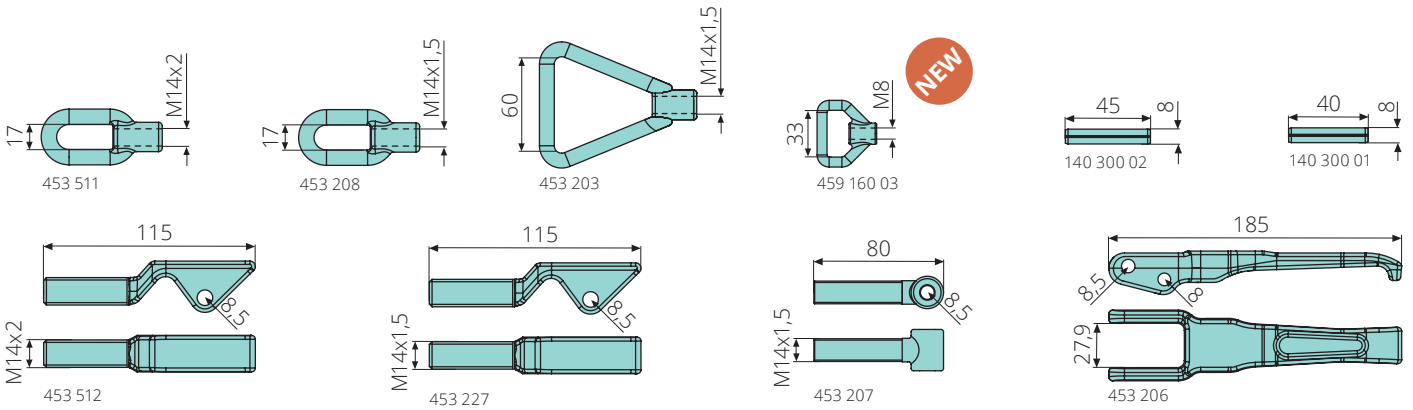
453 229 1



459 166

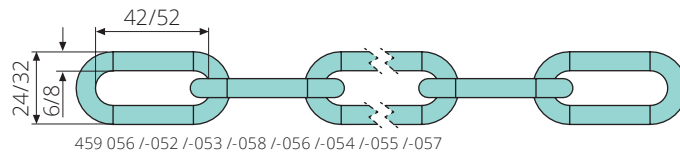
Article no.	Product	Description
453 500	Over centre lock	M14x2mm, stroke 25mm, with automatic safety latch, with padlock fitting
453 510	Over centre lock	M14x2mm, stroke 25mm, with automatic safety latch
453 501	Over centre lock	M14x2mm, stroke 25mm, with automatic safety latch, with padlock fitting, for bolted mounting
453 224	Over centre lock	M14x1,5mm, stroke 25mm, with automatic safety latch, with padlock fitting
453 226	Over centre lock	M14x1,5mm, stroke 25mm, with automatic safety latch
453 225	Over centre lock	M14x1,5mm, stroke 25mm, with automatic safety latch, with padlock fitting, for bolted mounting
453 229	Over centre lock	M14x1,5mm, stroke 25mm, with automatic safety latch, for bolted mounting, galvanized
453 200	Over centre lock	M14x1,5mm, stroke 25mm, with padlock fitting
453 201	Over centre lock	M14x1,5mm, stroke 25mm, with automatic safety latch, with padlock fitting
453 204	Over centre lock	M14x1,5mm, stroke 30mm
453 205	Over centre lock	M14x1,5mm, stroke 30mm, with automatic safety latch
453 231	Over centre lock	M14x1,5mm, stroke 30mm, with automatic safety latch, for bolted mounting, galvanized
453 229 1	Over centre lock	M14x1,5mm, stroke 15mm, with automatic safety latch, for bolted mounting, galvanized
459 161	Over centre lock	M8, stroke 30mm, galvanized, can be locked
459 166	Over centre lock	M8, stroke 20mm, galvanized, with automatic safety latch, can be locked

Accessories for over centre locks

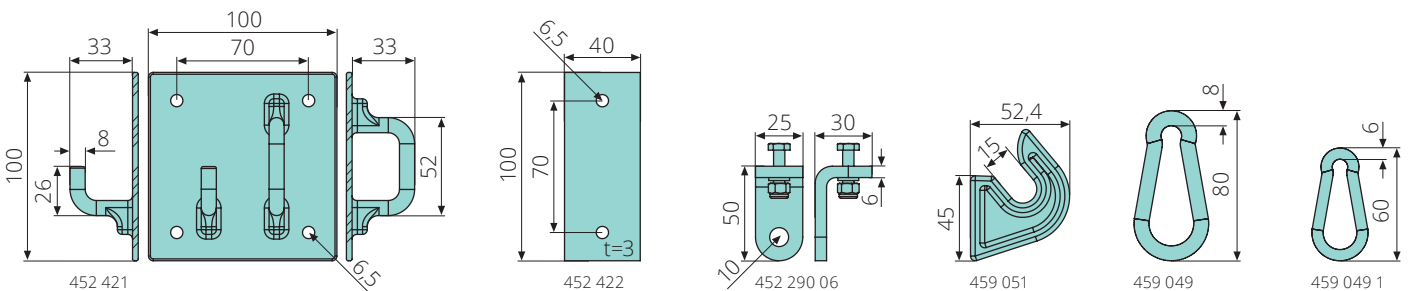


Article no.	Product	Description
453 511	Threaded eye	M14x2mm, spare part for 453 500 /-501 /-510 /-520, galvanized
453 208	Threaded eye	M14x1,5mm, spare part for 453 200 /-201 /-204 /-205 /-224 /-225 /-226 /-229 /-231, galvanized
453 203	Triangular eye	M14x1,5mm, spare part for 453 200 /-201 /-204 /-205 /-224 /-225 /-226 /-229 /-231, galvanized
459 160 03	Eye for over centre locks	M8, galvanized
453 512	Threaded arm	M14x2mm, spare part for 453 500 /-501 /-510, galvanized
453 227	Threaded arm	M14x1,5mm, spare part for 453 224 /-225 /-226 /-229, galvanized
453 207	Eyebolt	M14x1,5mm, spare part for 453 200 /-201 /-204 /-205 /-231
453 206	Handle	L=185mm, spare part for 453 200 /-204, forged
140 300 01	Spring pin	8x40mm, ISO 8752
140 300 02	Spring pin	8x45mm, ISO 8752

Chains & accessories

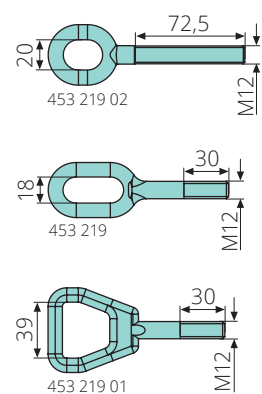
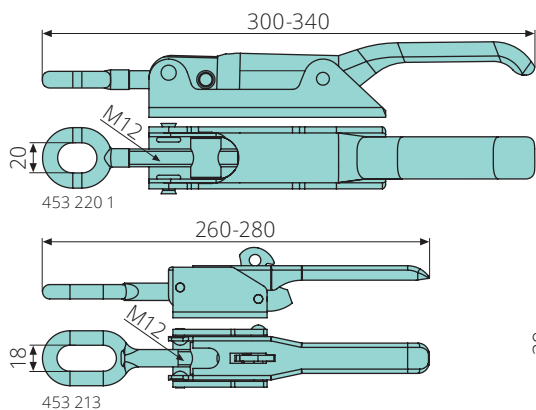


Article no.	Product	Description
459 056	Chain	NG 6mm, DIN 763, galvanized, length according to specification
459 056 1	Chain	NG 8mm, DIN 763, galvanized, length according to specification
Article no.	Product	Description
459 058	Chain	NG 6mm, L=30m, DIN 763, galvanized
459 057	Chain	NG 8mm, L=30m, DIN 763, galvanized

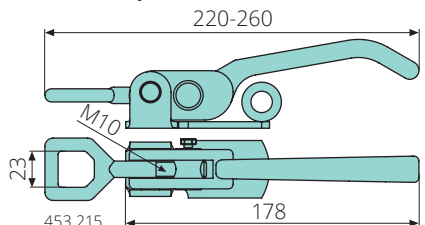


Article no.	Product	Description
452 421	Chain mount	100x100x3mm, galvanized, cast steel
452 422	Counter plate	100x40x3mm, galvanized, cast steel
452 290 06	Fastening bracket	50x30x25mm, galvanized, with screw & nut M6
459 051	Hook for chains	t=12mm, cast steel
459 049	Snap hook	8x80mm, DIN 5299C, galvanized
459 049 1	Snap hook	6x60mm, DIN 5299C, galvanized

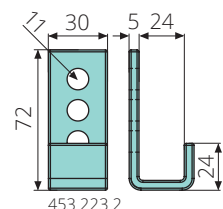
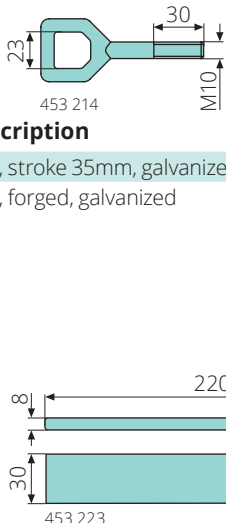
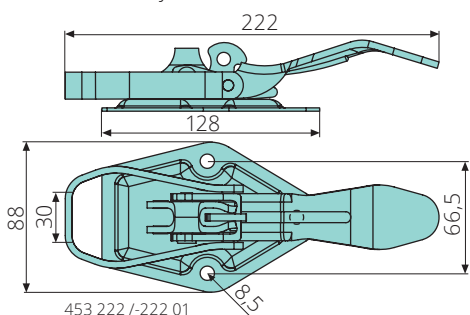
Over centre locks



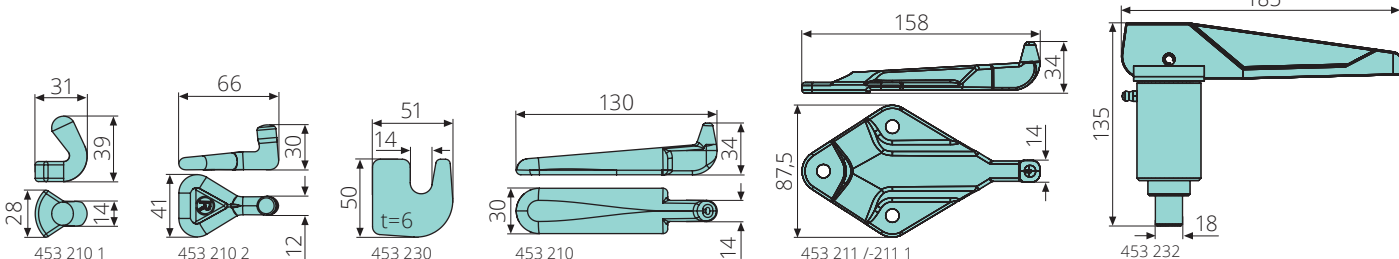
Article no.	Product	Description
453 220 1	Over centre lock	M12, stroke 35mm, with eye 453 219 02
453 213	Over centre lock	M12, stroke 20mm, with automatic safety latch, with padlock fitting, with eye 453 219
453 213 01	Over centre lock	M12, stroke 20mm, with automatic safety latch, with padlock fitting, with eye 453 219 01
453 219 02	Eye	M12, galvanized
453 219	Eye	M12
453 219 01	Eye	M12, galvanized, triangle



Article no.	Product	Description
453 215	Over centre lock	M10, stroke 35mm, galvanized, with padlock fitting, with eye 453 214
453 214	Eye	M10, forged, galvanized

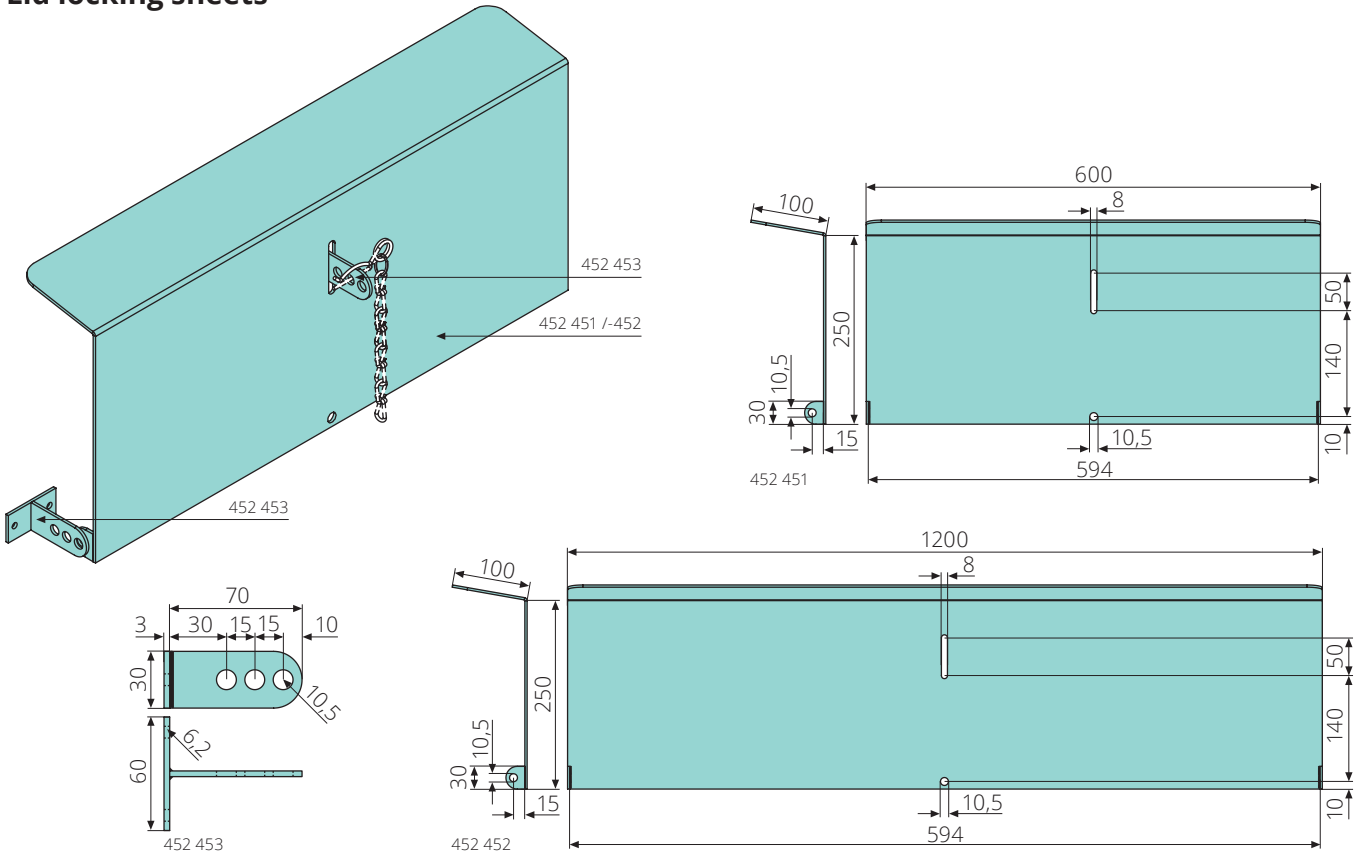


Article no.	Product	Description
453 222	Over centre lock	stroke 50mm, with automatic safety latch, Danish model
453 222 01	Over centre lock	stroke 50mm, with automatic safety latch, Danish model, galvanized
453 223	Counterhold for over centre locks	30x220mm, for over centre locks 453 222 /-222 01
453 223 2	Counterhold for over centre locks	30x72mm, for over centre locks 453 222 /-222 01, galvanized, for bolted mounting



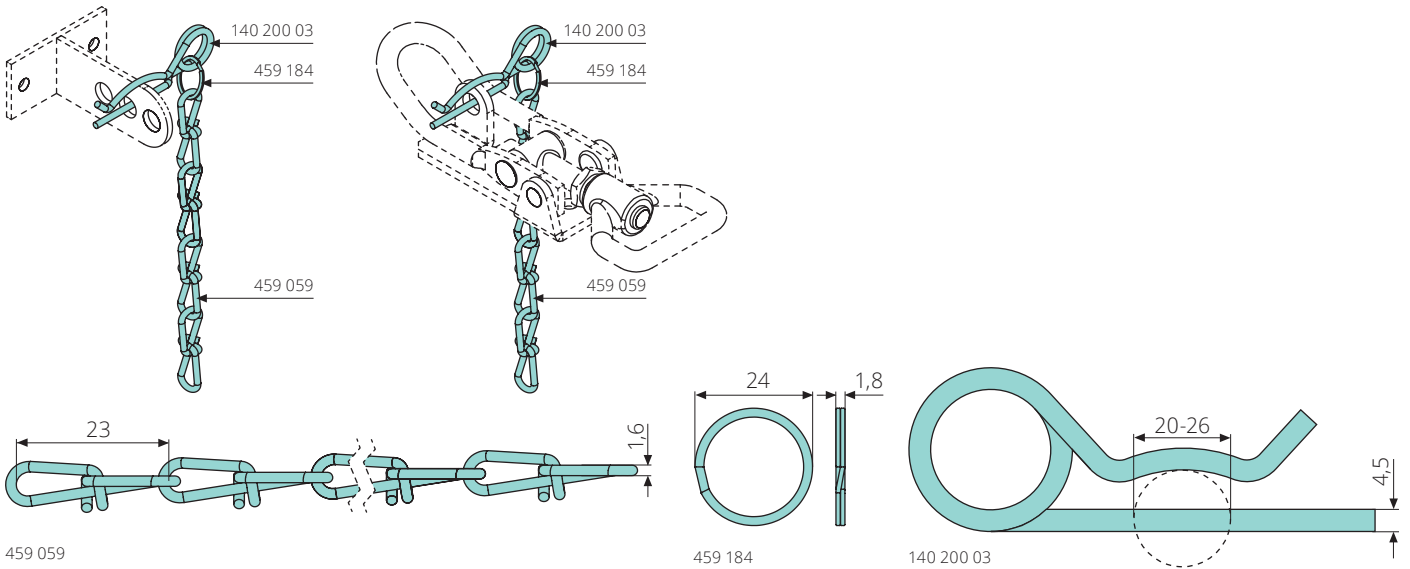
Article no.	Product	Description
453 210 1	Counterhold for over centre locks	D=14mm
453 210 2	Counterhold for over centre locks	D=12mm
453 230	Counterhold for over centre locks	t=6mm
453 210	Counterhold for over centre locks	D=14mm, forged
453 211	Counterhold for over centre locks	D=14mm, for bolted mounting, galvanized
453 211 1	Counterhold for over centre locks	D=14mm, for bolted mounting, cast steel
453 232	Spring bolt	D=18mm

Lid locking sheets



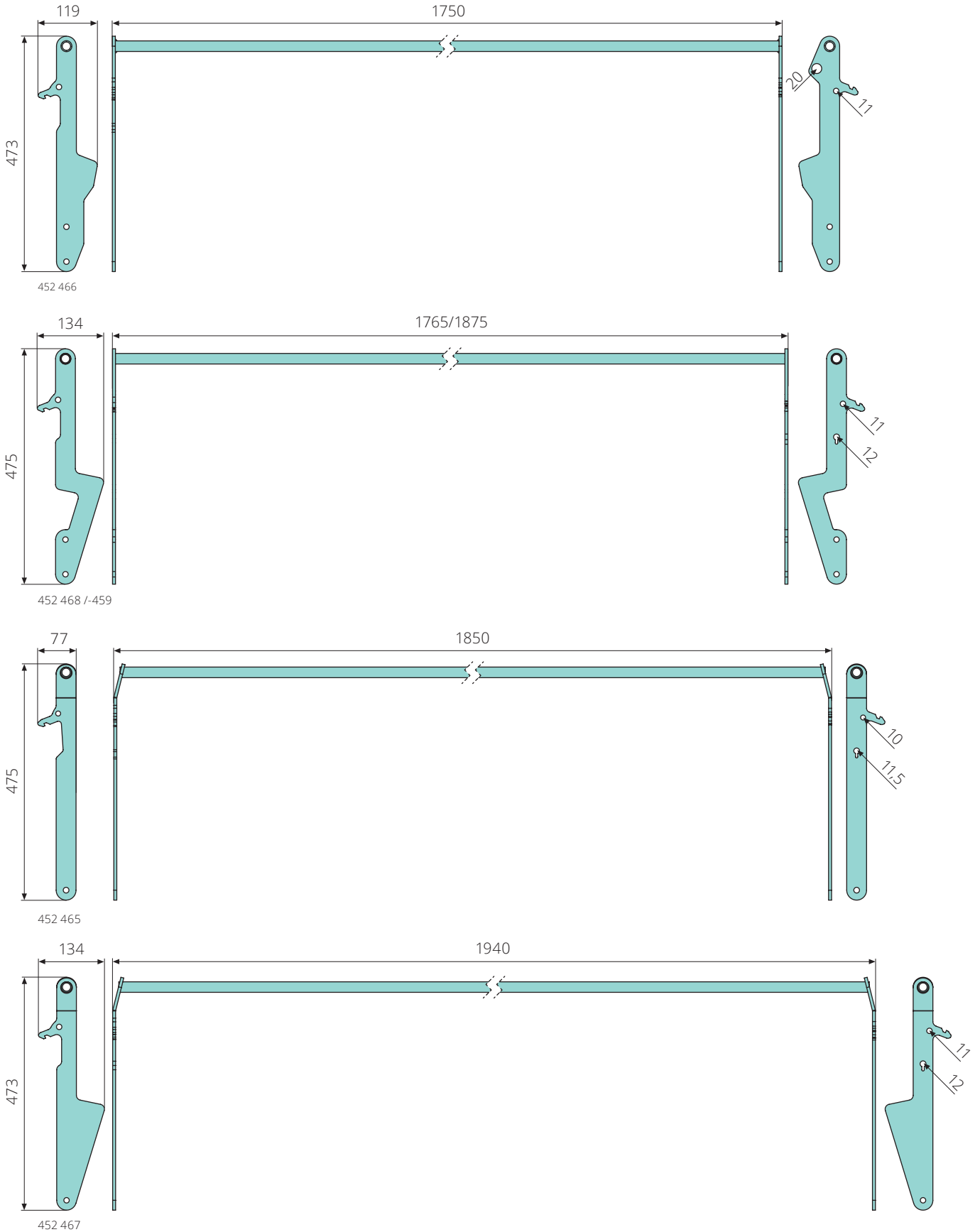
Article no.	Product	Description
452 451	Lid locking sheet	100x250x600mm, galvanized
452 452	Lid locking sheet	100x250x1200mm, galvanized
452 453	Bracket	30x60x70mm, galvanized

Retainer pin & accessories



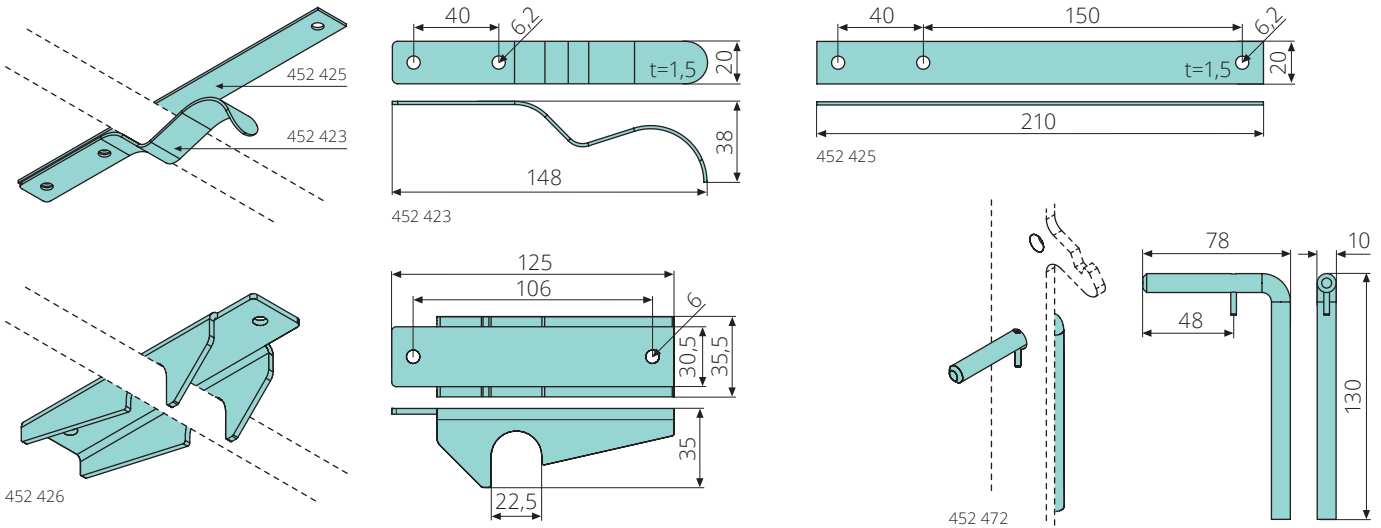
Article no.	Product	Description
459 059	Knotted chain	D=1,6mm, galvanized, DIN 5686, length according to specification
459 184	Key ring	24x1,8mm, rust free
140 200 03	Retainer pin	for shaft D=20-26mm, wire D=4,5mm, DIN 11024, form D, galvanized

Lid locking bars with round tubes



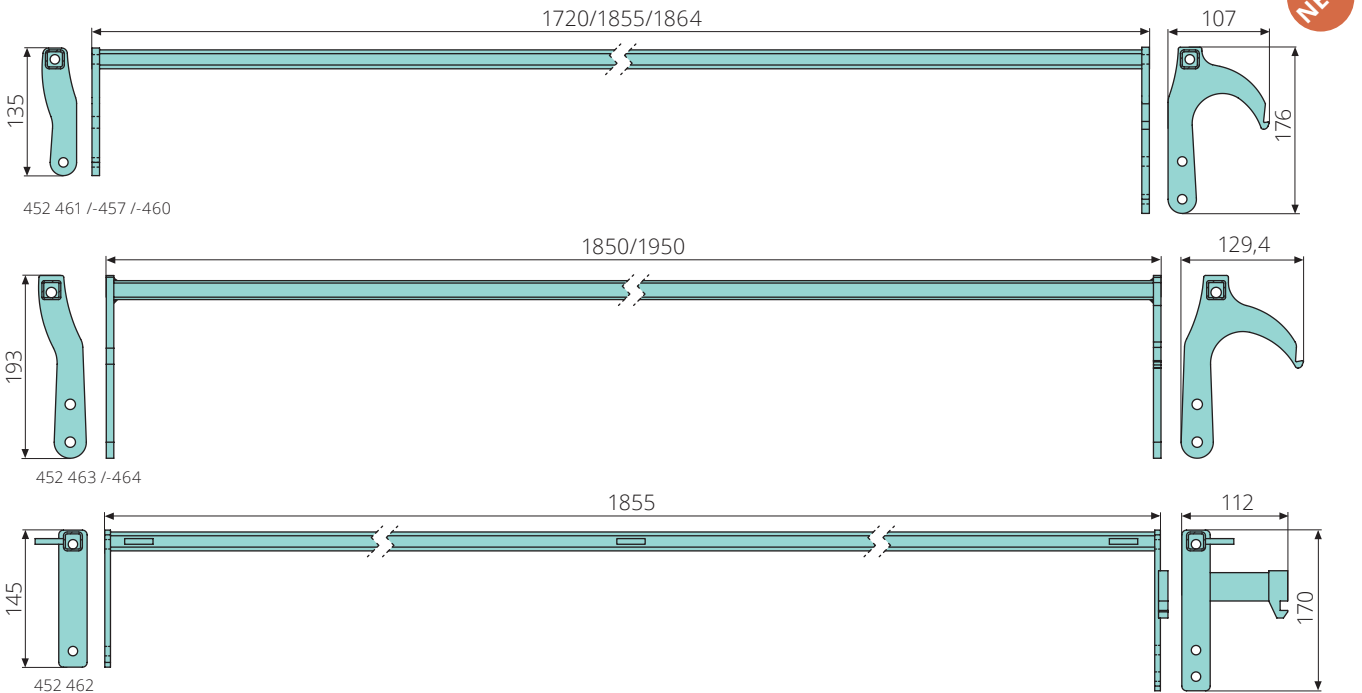
Article no.	Product	Description
452 466	Lid locking bar	1750x473mm, galvanized, round tube
452 468	Lid locking bar	1765x475mm, galvanized, round tube
452 465	Lid locking bar	1850x475mm, galvanized, round tube
452 459	Lid locking bar	1875x475mm, galvanized, round tube
452 467	Lid locking bar	1940x473mm, galvanized, round tube

Accessories for lid locking bars with round tubes



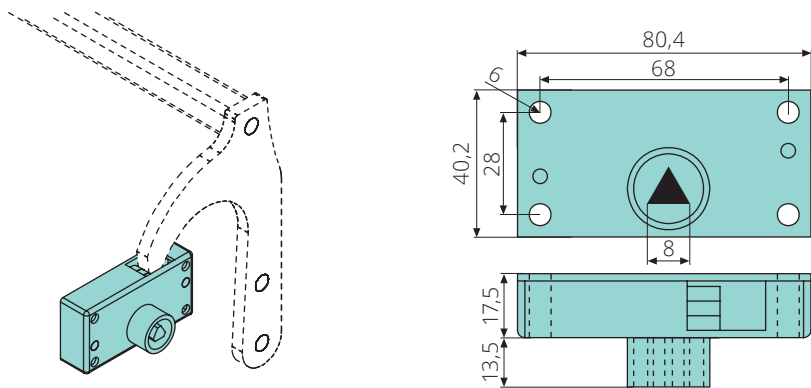
Article no.	Product	Description
452 423	Lid detent spring	20x148x1,5mm, galvanized, for bolted mounting, type IVB
452 425	Lid detent	20x210x1,5mm, galvanized, for bolted mounting, type IVB
452 426	Lid detent	35,5x125x35mm, galvanized, for bolted mounting
Article no.	Product	Description
452 472	Lock pin	130x78x10mm, galvanized, with spring pin

Lid locking bars with square tubes



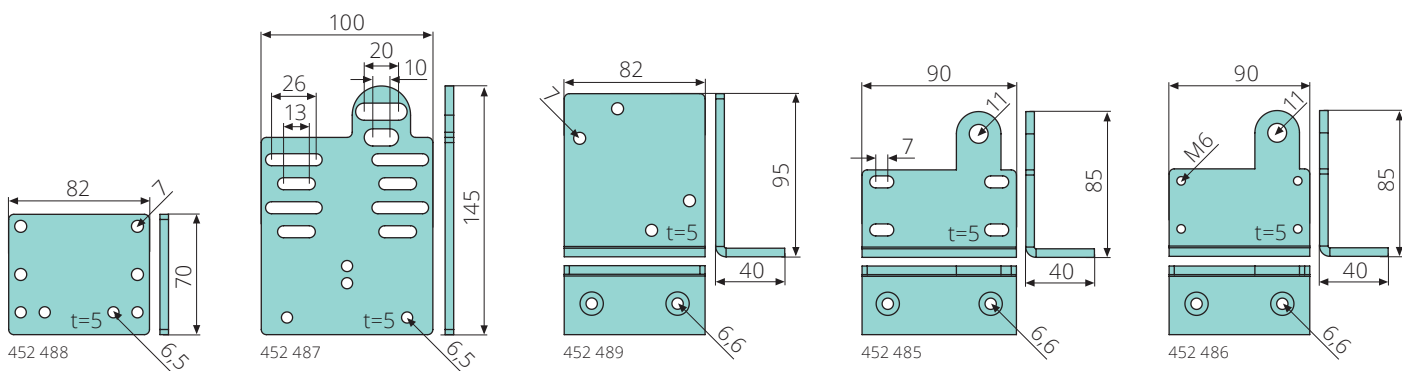
Article no.	Product	Description
452 461	Lid locking bar	1720x176mm, galvanized, square tube
452 457	Lid locking bar	1864x176mm, galvanized, square tube
452 460	Lid locking bar	1864x176mm, galvanized, square tube
452 463	Lid locking bar	1850x193mm, galvanized, square tube
452 464	Lid locking bar	1950x193mm, galvanized, square tube
452 462	Lid locking bar	1855x170mm, galvanized, square tube

Triangular locks / Mounting plates / Locking latches

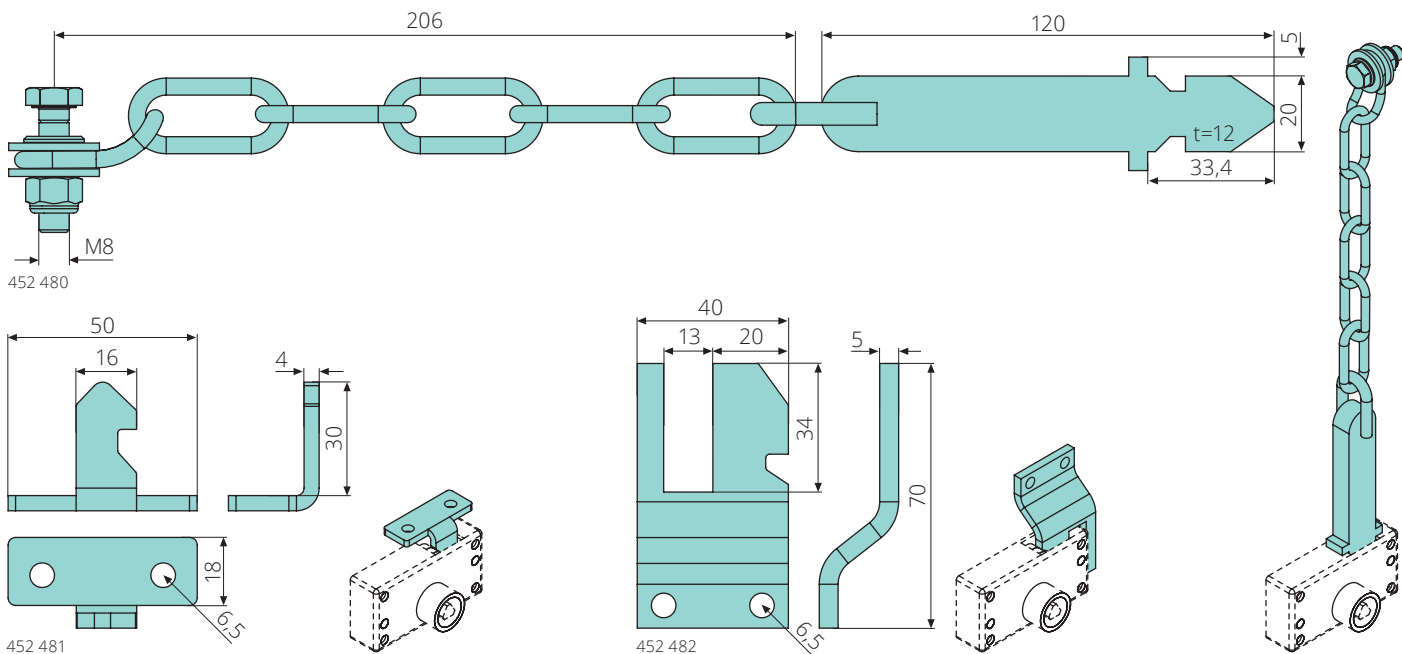


452 469 /-470

Article no.	Product	Description
452 469	Triangular lock	8mm, open-closed, galvanized
452 470	Triangular lock	8mm, automatic lock, galvanized



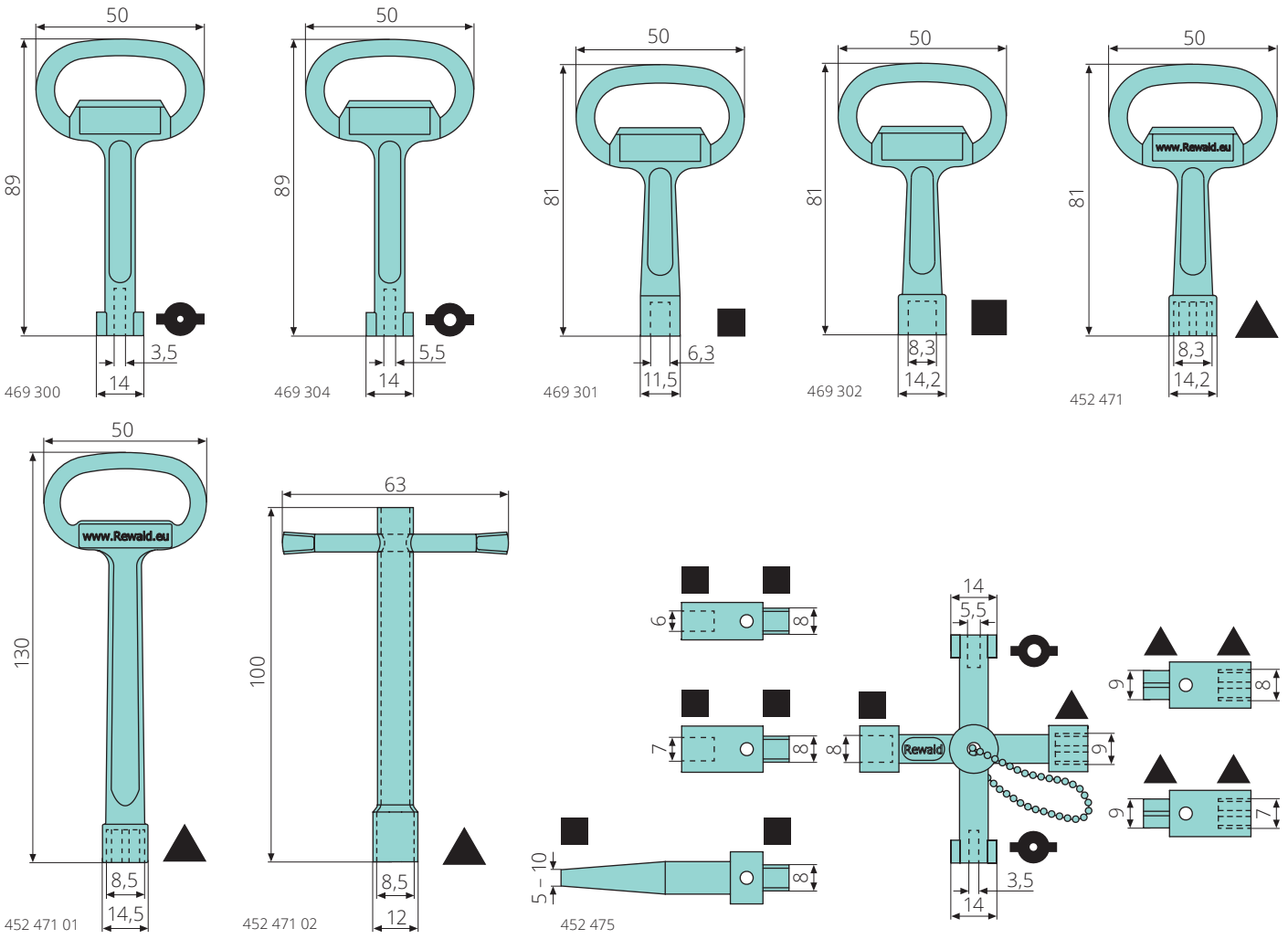
Article no.	Product	Description
452 488	Mounting plate	82x70x5mm, galvanized, straight
452 487	Mounting plate	100x145x5mm, galvanized, straight
452 489	Mounting plate	82x95x40x5mm, galvanized, mounting angle 52°, angled
452 485	Mounting plate	90x85x40x5mm, galvanized, angled
452 486	Mounting plate	82x85x40x5mm, galvanized, angled, with thread



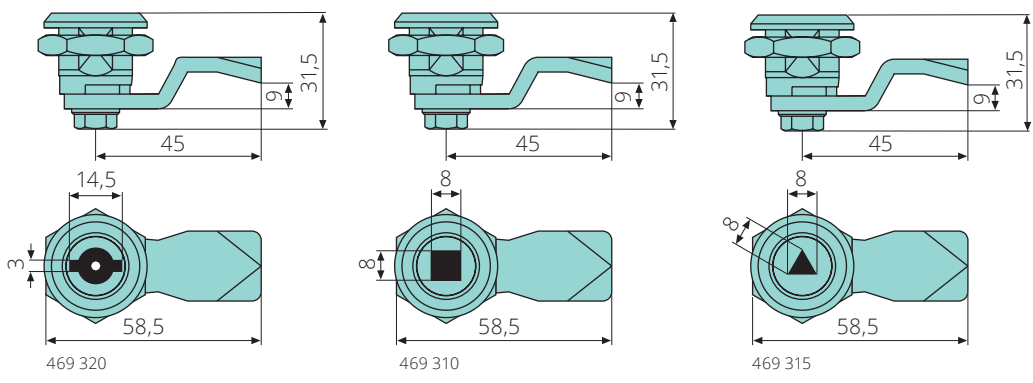
Article no.	Product	Description
452 480	Locking latch with chain	20x33,4x12mm, with screw, washers & nut, galvanised
452 481	Locking latch	16x30x4mm, galvanised
452 482	Locking latch	20x34x5mm, galvanised

Locks & keys

Triangular locks / Mounting latches / Locking latches / Locks & keys

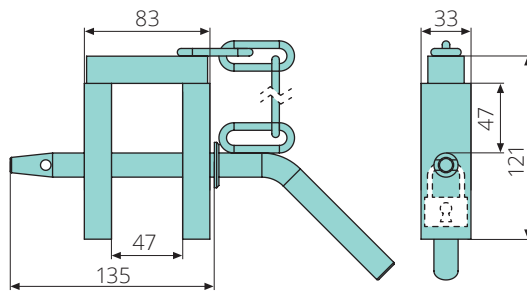
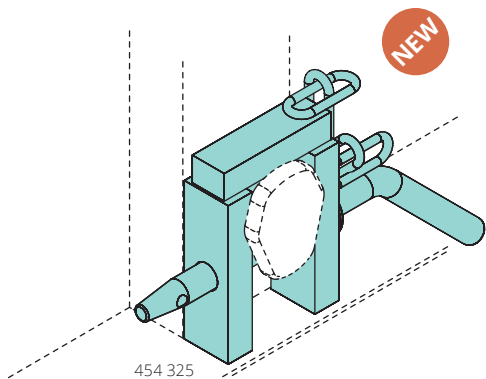


Article no.	Product	Description
469 300	Double bit key	3x14mm, L=89mm, zinc die casting
469 304	Double bit key	5x14mm, L=89mm, zinc die casting
469 301	Square key	6x11,5mm, L=81mm, internal, zinc die casting
469 302	Square key	8x14,2mm, L=81mm, internal, zinc die casting
452 471	Triangular key	8,3x14,2mm, internal, zinc die casting
452 471 01	Triangular key	8,5x14,5mm, internal, L=130mm, zinc die casting
452 471 02	Triangular key	8,5x12mm, internal, L=100mm, galvanized
452 475	Multi way key	zinc die casting, 9 functions, 5 adapters

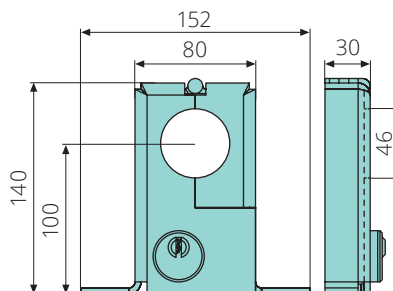
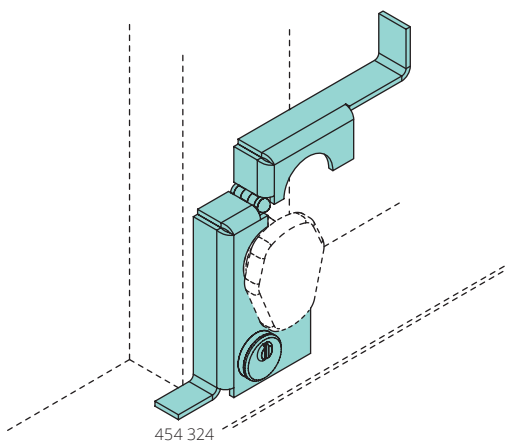


Article no.	Product	Description
469 320	Double bit lock	3mm, 45mm tongue, cranking 9mm, galvanized
469 310	Square lock	8mm, 45mm tongue, cranking 9mm, galvanized
469 315	Triangular lock	8mm, 45mm tongue, cranking 9mm, galvanized

Anti theft devices for skips



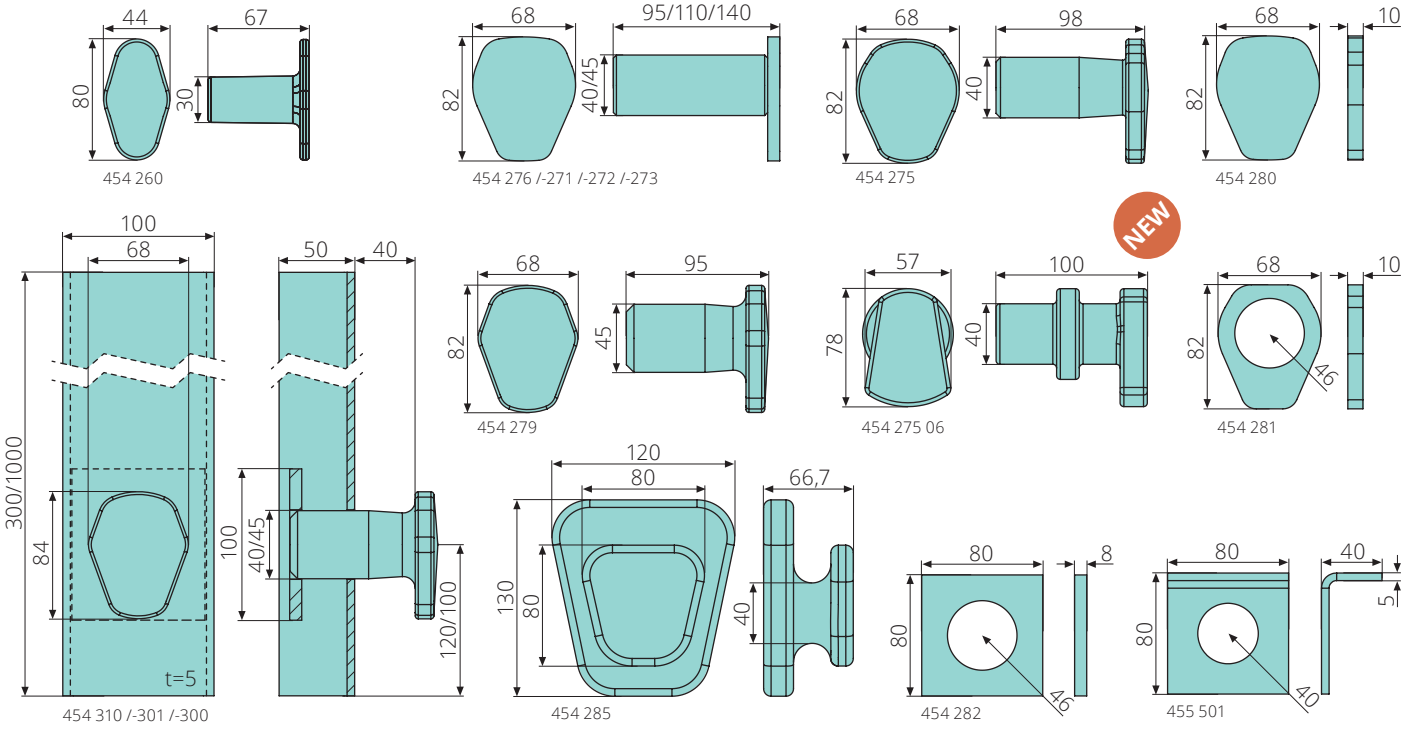
Article no.	Product	Description
454 325	Anti theft device	for skips, S355J2, galvanized



Article no.	Product	Description
454 324	Anti theft device	for skips, with locking cylinder type IKON & 2 keys, S355J2, galvanized
454 332	Additional charge for multiple locks	

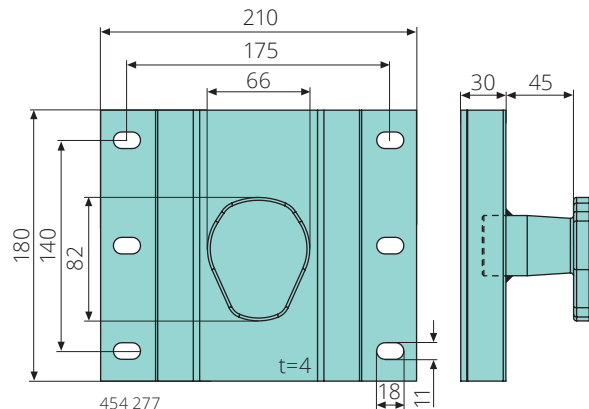
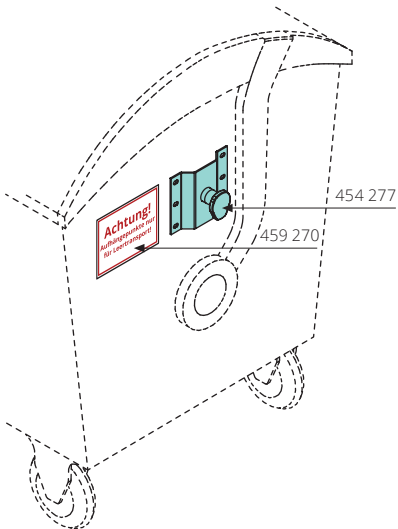
Lifting lugs

Anti theft devices for skips / Lifting lugs



NEW

Article no.	Product	Description
454 260	Lifting lug	30x67x80mm, forged, type DAUTEL
454 285	Lifting lug	40x66,7x130mm, forged
454 310	Profile with lifting lug	40x1000x100x50mm, forged lug
454 276	Lifting lug	40x110x82mm, welded
454 275	Lifting lug	40x98x84mm, forged
454 301	Profile with lifting lug	45x300x100x50mm, forged lug
454 300	Profile with lifting lug	45x1000x100x50mm, forged lug
454 279	Lifting lug	45x95x82mm, according to DIN
454 272	Lifting lug	45x110x82mm, welded
454 273	Lifting lug	45x140x82mm, welded
454 275 06	Lifting lug	40x100x78mm, forged
454 280	Plate	82x68x10mm, for lifting lugs
454 281	Plate	82x68x10mm, for lifting lugs, d=46mm
454 282	Plate	80x80x8mm, for lifting lugs, d=46mm
455 501	Lashing eye	80x80x40mm, for lashing stacked skips, d=40mm

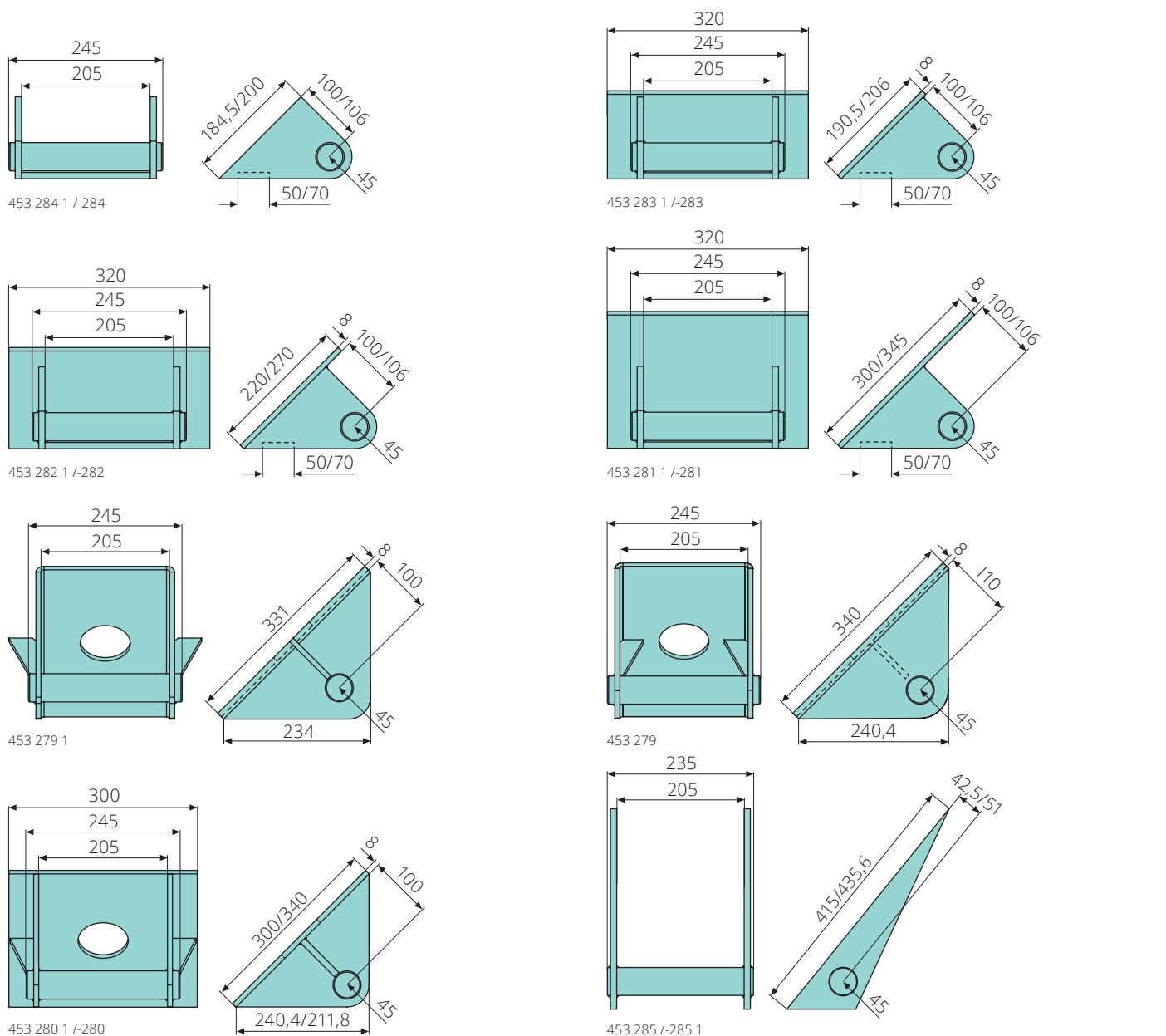


Achtung!
Aufhängepunkte nur
für Leertransport!

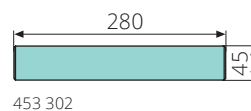
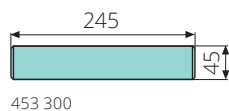
Article no.	Product	Description
454 277	Lifting lug	40x90x180mm, galvanized, lug S355J2, only suitable for transport of empty containers

Article no.	Product	Description
459 270	PVC sticker "Aufhängepunkte nur für Leertransport"	210x150mm, 2 stickers/sheet

Tipping bar brackets

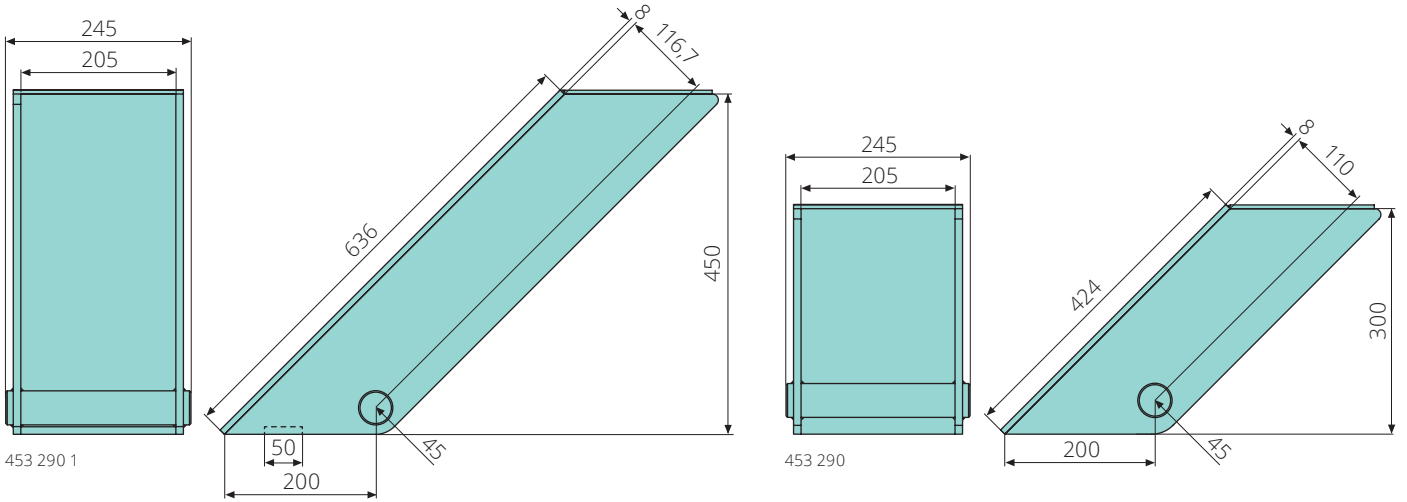


Article no.	Product	Description
453 284 1	Tipping bar bracket	245x184,5mm, without base plate, in individual parts, bolt S355J2
453 284	Tipping bar bracket	245x200mm, without base plate, in individual parts, bolt S355J2
453 283 1	Tipping bar bracket	320x190,5x8mm, bolt S355J2
453 283	Tipping bar bracket	320x206x8mm, bolt S355J2
453 282 1	Tipping bar bracket	320x220x8mm, bolt S355J2
453 282	Tipping bar bracket	320x270x8mm, bolt S355J2
453 281 1	Tipping bar bracket	320x300x8mm, bolt S355J2
453 281	Tipping bar bracket	320x345x8mm, bolt S355J2
453 279 1	Tipping bar bracket	245x331x8mm, bolt S355J2
453 279	Tipping bar bracket	245x340x8mm, bolt S355J2
453 280 1	Tipping bar bracket	300x300x8mm, bolt S355J2
453 280	Tipping bar bracket	300x340x8mm, bolt S355J2
453 285	Tipping bar bracket	235x415mm, without base plate, S355J2
453 285 1	Tipping bar bracket	235x435,6mm, without base plate, S355J2



Article no.	Product	Description
453 300	Tipping bar shaft	45x245mm, S355J2
453 302	Tipping bar shaft	45x280mm, S355J2

Tipping bar brackets

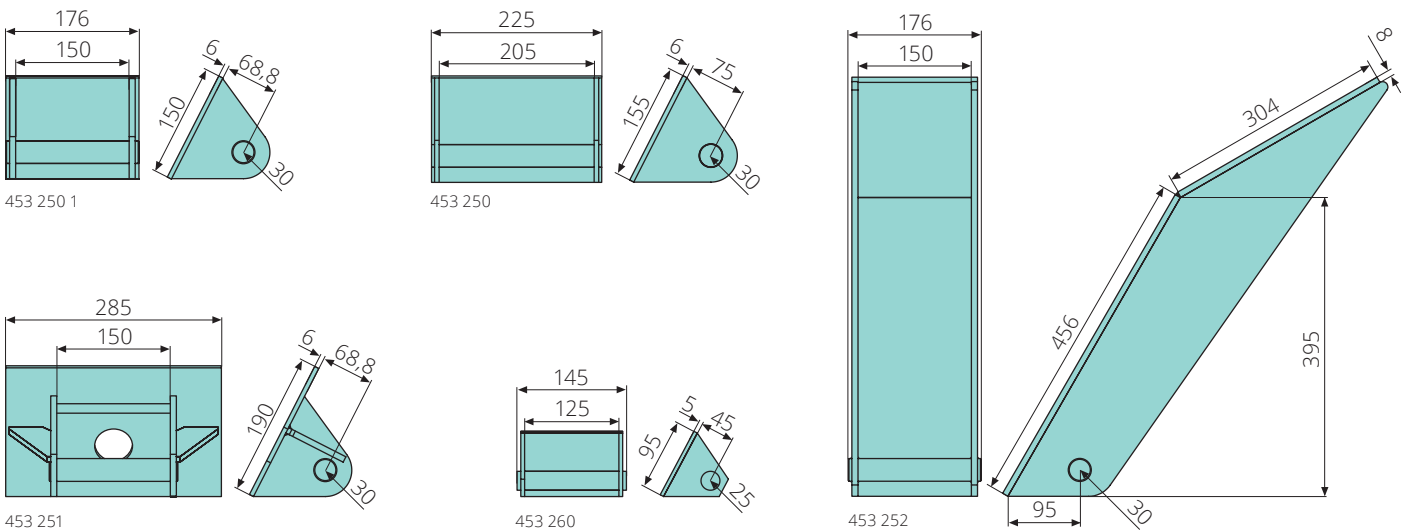


Article no.	Product	Description
453 290 1	Tipping bar bracket	245x636x8mm, internal mounting, bolt S355J2
453 290	Tipping bar bracket	245x424x8mm, internal mounting, bolt S355J2



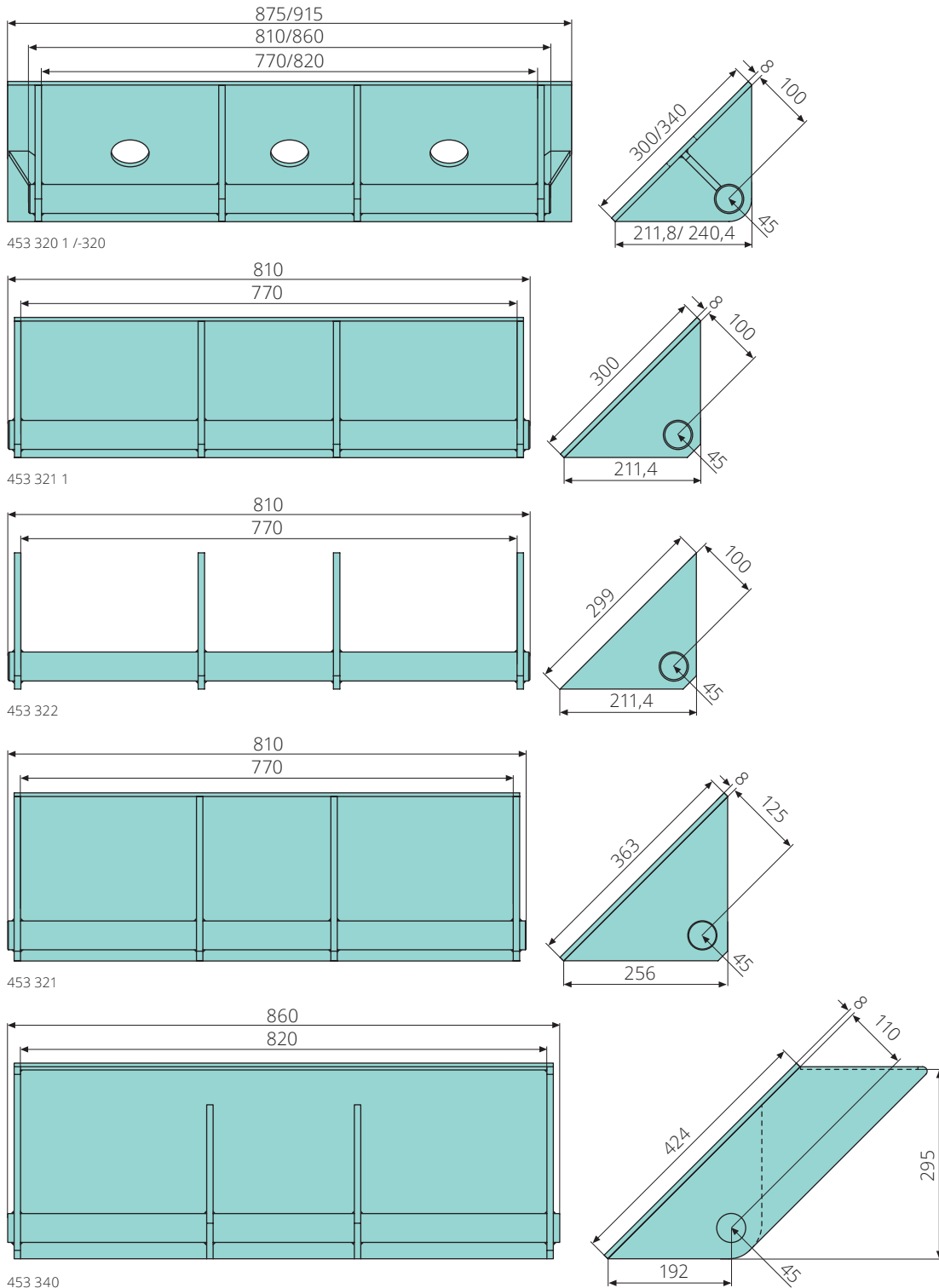
Article no.	Product	Description
453 300	Tipping bar shaft	45x245mm, S355J2
453 302	Tipping bar shaft	45x280mm, S355J2

Tipping bar brackets for mini skips

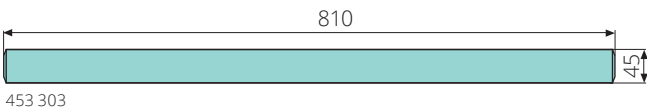


Article no.	Product	Description
453 250 1	Tipping bar bracket	176x150x6mm, for mini skips, bolt S355J2
453 250	Tipping bar bracket	225x155x6mm, for mini skips, bolt S355J2
453 251	Tipping bar bracket	285x190x6mm, for mini skips, bolt S355J2
453 260	Tipping bar bracket	145x95x5mm, for mini skips, bolt S355J2, type DAUTEL
453 252	Tipping bar bracket	176x456x8mm, for mini skips, internal mounting, bolt S355J2

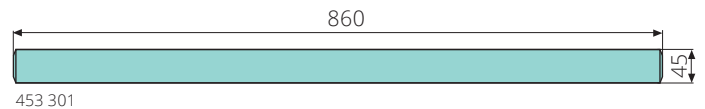
Triple tipping bar brackets



Article no.	Product	Description
453 320 1	Triple tipping bar bracket	875x300x8mm, bolt S355J2
453 320	Triple tipping bar bracket	915x340x8mm, bolt S355J2
453 321 1	Triple tipping bar bracket	810x300x8mm, bolt S355J2
453 322	Triple tipping bar bracket	810x299mm, without base plate, bolt S355J2
453 321	Triple tipping bar bracket	810x363x8mm, bolt S355J2
453 340	Triple tipping bar bracket	860x424x8mm, internal mounting, bolt S355J2



453 303



453 301

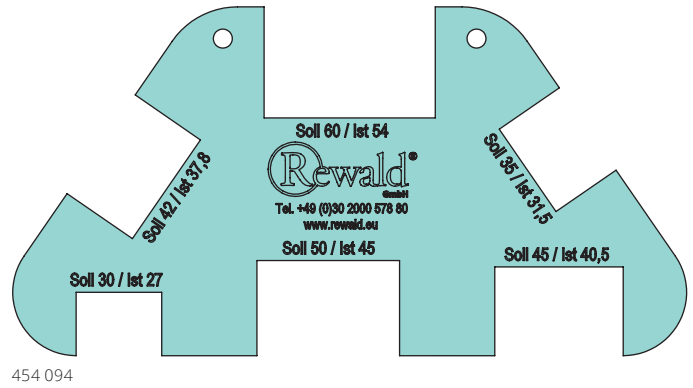
Article no.	Product	Description
453 303	Tipping bar shaft	45x810mm, S355J2
453 301	Tipping bar shaft	45x860mm, S355J2

Wear gauge for container inspection according to DIN (wear limit of 10%)

6 gap gauges for checking admissible wear limits of 10% according to DIN 30735, DIN 30720-1/-2 & DIN 30722-1/-2/-3:

- Lifting bars on roll-off containers & mobile compactors
- Tipping bolts on skips
- Lifting lugs on skips

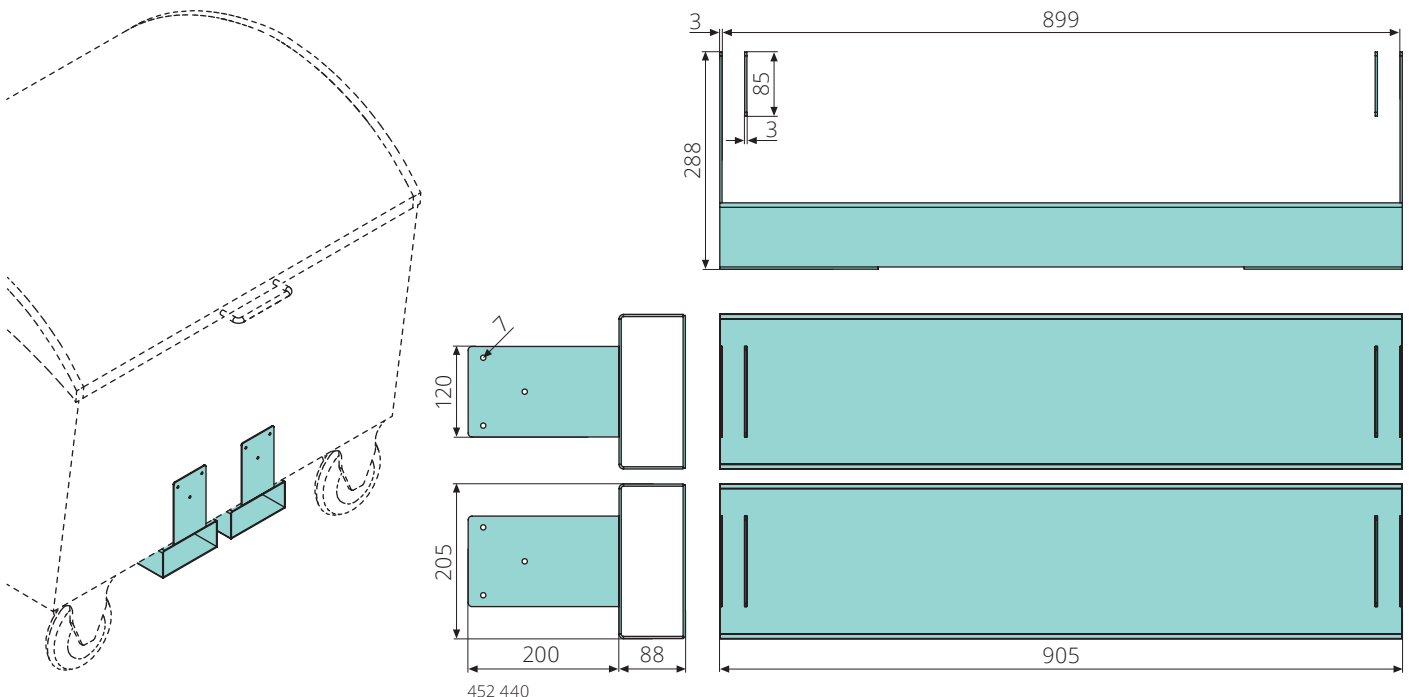
The wear gauge enables a quick & secure check of the above named components within the framework of container inspections. Select the respective gap gauge according to the nominal dimension for the lifting bar, tipping bolt or lifting lug. If it is possible to slide the gauge over the diameter of the tested part, it no longer conforms with safety requirements. Holes for filing away.



Article no.	Product	Description
454 094	Wear gauge	V4A plate, for checking a wear limit of 10% according to DIN

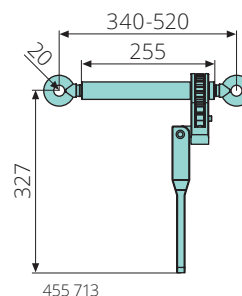
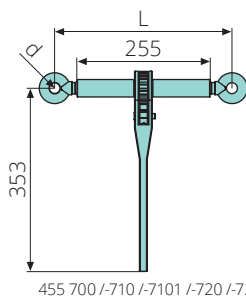
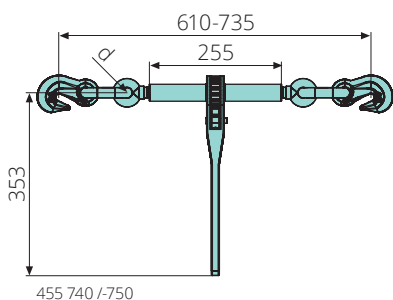
Triple tipping bar brackets / Wear gauge / Set of forklift cradles

Set of forklift cradles



Article no.	Product	Description
452 440	Set of forklift cradles	205x288x905mm, galvanized, with 2 cradles & 4 counter plates

Ratchet load binders



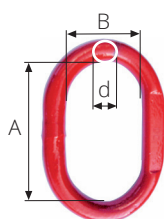
Article no. Product

455 740	Ratchet load binder with hooks
455 750	Ratchet load binder with hooks
455 700	Ratchet load binder
455 710	Ratchet load binder
455 713	Ratchet load binder with foldable handle
455 710 1	Ratchet load binder
455 720	Ratchet load binder
455 720 1	Ratchet load binder

Description

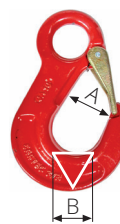
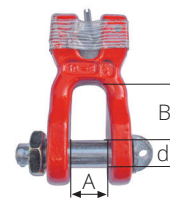
NG 10, LC 6.300daN, MBL 12.600daN, d=20mm, L=610-735mm, painted red
NG 13, LC 10.000daN, MBL 21.200daN, d=26mm, L=610-735mm, painted red
NG 8, LC 4.000daN, MBL 8.000daN, d=20mm, L=320-480mm, painted red
NG 10, LC 6.300daN, MBL 12.600daN, d=20mm, L=340-520mm, painted red
NG 10, LC 6.300daN, MBL 12.600daN, d=20mm, L=340-520mm, painted red
NG 10, LC 6.300daN, MBL 12.600daN, d=20mm, L=340-520mm, galvanized
NG 13, LC 10.000daN, MBL 20.000daN, d=26mm, L=360-530mm, painted red
NG 13, LC 10.000daN, MBL 20.000daN, d=26mm, L=360-530mm, galvanized

Cargo securing


 455 000 /-010 /-020
455 030 /-040

 455 100 /-105 /-110
455 115 /-120


455 300 /-305 /-310


 455 330 /-335 /-340
455 345 /-350


455 230 /-240 /-250

Article no. Product

Article no.	Product	Description
455 000	Suspension link	NG 6, WLL 1,6t, GK 8, according to EN-1677-4
455 010	Suspension link	NG 8, WLL 2,12t, GK 8, according to EN-1677-4
455 020	Suspension link	NG 10, WLL 3,15t, GK 8, according to EN-1677-4
455 030	Suspension link	NG 13, WLL 5,3t, GK 8, according to EN-1677-4
455 040	Suspension link	NG 16, WLL 8t, GK 8, according to EN-1677-4

A B d

Article no.	Product	Description	A	B	d
455 000	Suspension link	NG 6, WLL 1,6t, GK 8, according to EN-1677-4	110mm	60mm	13mm
455 010	Suspension link	NG 8, WLL 2,12t, GK 8, according to EN-1677-4	110mm	60mm	16mm
455 020	Suspension link	NG 10, WLL 3,15t, GK 8, according to EN-1677-4	135mm	75mm	18mm
455 030	Suspension link	NG 13, WLL 5,3t, GK 8, according to EN-1677-4	160mm	90mm	22mm
455 040	Suspension link	NG 16, WLL 8t, GK 8, according to EN-1677-4	180mm	100mm	26mm

Article no. Product

Article no.	Product	Description
455 100	Coupling	NG 6, WLL 1,12t, GK 8
455 105	Coupling	NG 8, WLL 2t, GK 8
455 110	Coupling	NG 10, WLL 3,15t, GK 8
455 115	Coupling	NG 13, WLL 5,3t, GK 8
455 120	Coupling	NG 16, WLL 8t, GK 8

A d

Article no.	Product	Description	A	d
455 100	Coupling	NG 6, WLL 1,12t, GK 8	18mm	7,6mm
455 105	Coupling	NG 8, WLL 2t, GK 8	23mm	10mm
455 110	Coupling	NG 10, WLL 3,15t, GK 8	27mm	12,6mm
455 115	Coupling	NG 13, WLL 5,3t, GK 8	34mm	16,7mm
455 120	Coupling	NG 16, WLL 8t, GK 8	39mm	21mm

Article no. Product

Article no.	Product	Description
455 300	Clevis load hook	NG 6, WLL 1,12t, GK 8, forged safety latch
455 305	Clevis load hook	NG 8, WLL 2t, GK 8, forged safety latch
455 310	Clevis load hook	NG 10, WLL 3,15t, GK 8, forged safety latch

A B

Article no.	Product	Description	A	B
455 300	Clevis load hook	NG 6, WLL 1,12t, GK 8, forged safety latch	26mm	15mm
455 305	Clevis load hook	NG 8, WLL 2t, GK 8, forged safety latch	34mm	19mm
455 310	Clevis load hook	NG 10, WLL 3,15t, GK 8, forged safety latch	40mm	25mm

Article no. Product

Article no.	Product	Description
455 330	Eye load hook	NG 6, WLL 1,12t, GK 8, forged safety latch
455 335	Eye load hook	NG 8, WLL 2t, GK 8, forged safety latch
455 340	Eye load hook	NG 10, WLL 3,15t, GK 8, forged safety latch
455 345	Eye load hook	NG 13, WLL 5,3t, GK 8, forged safety latch
455 350	Eye load hook	NG 16, WLL 8t, GK 8, forged safety latch

A B

Article no.	Product	Description	A	B
455 330	Eye load hook	NG 6, WLL 1,12t, GK 8, forged safety latch	25mm	16,5mm
455 335	Eye load hook	NG 8, WLL 2t, GK 8, forged safety latch	33mm	19mm
455 340	Eye load hook	NG 10, WLL 3,15t, GK 8, forged safety latch	40mm	26mm
455 345	Eye load hook	NG 13, WLL 5,3t, GK 8, forged safety latch	51mm	33mm
455 350	Eye load hook	NG 16, WLL 8t, GK 8, forged safety latch	55mm	40mm

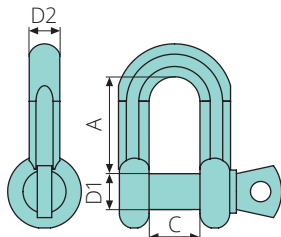
Article no. Product

Article no.	Product	Description
455 230	Clevis shackle	NG 10, WLL 3,15t, GK 8
455 240	Clevis shackle	NG 13, WLL 5,3t, GK 8
455 250	Clevis shackle	NG 16, WLL 8t, GK 8

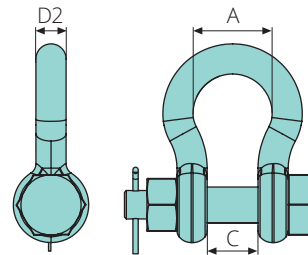
A B d

Article no.	Product	Description	A	B	d
455 230	Clevis shackle	NG 10, WLL 3,15t, GK 8	21mm	36mm	16mm
455 240	Clevis shackle	NG 13, WLL 5,3t, GK 8	27mm	49mm	20mm
455 250	Clevis shackle	NG 16, WLL 8t, GK 8	33mm	56mm	24mm

Cargo securing



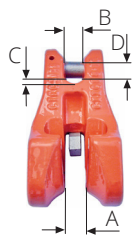
455 600 /-605 /-610 /-615



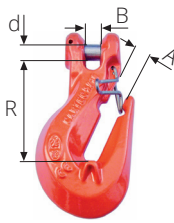
455 630 /-635 /-640 /-645 /-650 /-655

Article no.	Product	Description	A	C	D1	D2
455 600	Shackle	5/8", WLL 3,25t	51mm	27mm	20mm	16mm
455 605	Shackle	3/4", WLL 4,75t	60mm	32mm	22mm	19mm
455 610	Shackle	7/8", WLL 6,5t	71mm	36mm	27mm	22mm
455 615	Shackle	1", WLL 8,5t	81mm	43mm	28mm	25mm

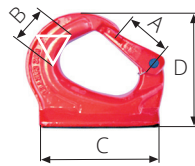
Article no.	Product	Description	A	C	D1	D2
455 630	Shackle curved	3/8", WLL 1t	26mm	16mm	12mm	10mm
455 635	Shackle curved	5/8", WLL 3,25t	43mm	27mm	20mm	16mm
455 640	Shackle curved	3/4", WLL 4,75t	51mm	32mm	22mm	19mm
455 645	Shackle curved	7/8", WLL 6,5t	58mm	36mm	27mm	22mm
455 650	Shackle curved	1", WLL 8,5t	68mm	43mm	28mm	25mm
455 655	Shackle curved	1 1/8", WLL 9,5t	74mm	46mm	33mm	29mm



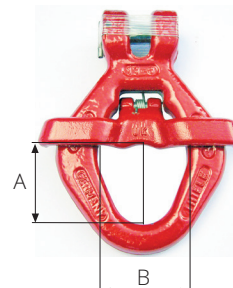
455 405 /-410 /-415



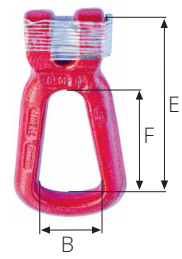
455 450 /-455
455 460 /-465



455 565 /-570 /-575



455 355 /-360



455 535 /-340

Article no.	Product	Description	A/B	C	DxL
455 405	Shortening cleat	NG 8, WLL 2t, GK 8, with clevis & safety latch	9,5mm	10mm	10x22,5mm
455 410	Shortening cleat	NG 10, WLL 3,15t, GK 8, with clevis & safety latch	12mm	14,5mm	13x31,5mm
455 415	Shortening cleat	NG 13, WLL 5,3t, GK 8, with clevis & safety latch	16mm	18mm	16x42mm

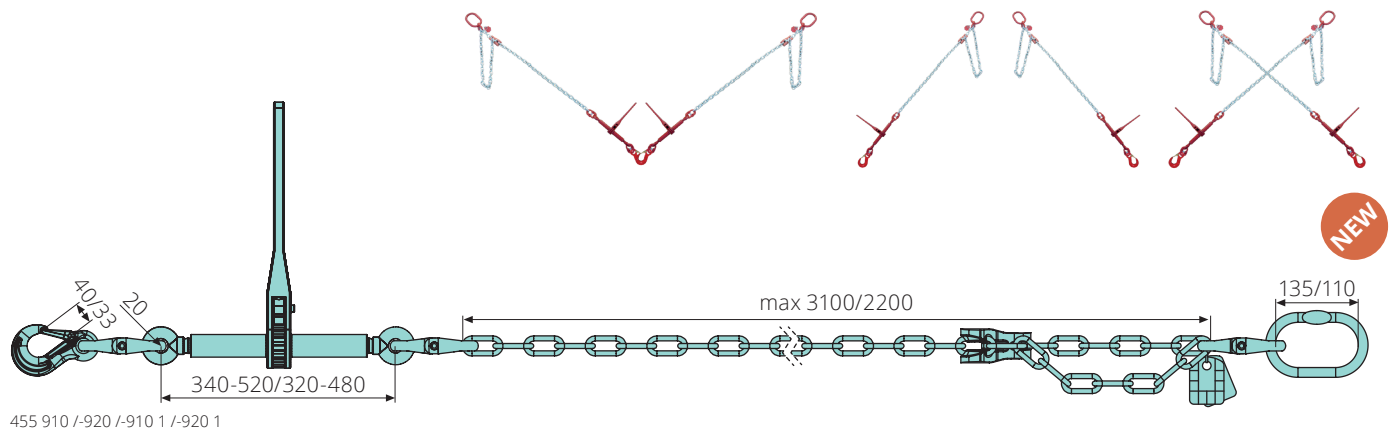
Article no.	Product	Description	A/B	R	DxL
455 450	Shortening hook	NG 6, WLL 1,12t, GK 8, with clevis & safety latch	8mm	51mm	7,5x17,5mm
455 455	Shortening hook	NG 8, WLL 2t, GK 8, with clevis & safety latch	10mm	65mm	10x13mm
455 460	Shortening hook	NG 10, WLL 3,15t, GK 8, with clevis & safety latch	13mm	80mm	13x31,5mm
455 465	Shortening hook	NG 13, WLL 5,3t, GK 8, with clevis & safety latch	17mm	105mm	16x42mm

Article no.	Product	Description	A	B	C	D
455 565	Weld-on hook	WLL 3t, GK 8	30,5mm	24mm	129mm	106mm
455 570	Weld-on hook	WLL 5t, GK 8	34,5mm	30mm	171mm	136mm
455 575	Weld-on hook	WLL 8t, GK 8	34,5mm	39mm	177mm	140mm

Article no.	Product	Description	A	B
455 355	Lifting eye	NG 13, WLL 5,3t, GK 8, with clevis, forged safety latch	57mm	65mm
455 360	Lifting eye	NG 16, WLL 8t, GK 8, with clevis, forged safety latch	57mm	65mm

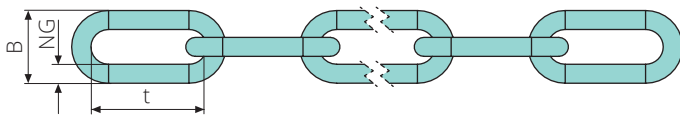
Article no.	Product	Description	B	E	F
455 535	Lifting link	NG 10, WLL 3,15t, GK 8, for mini skip, with clevis	49mm	126mm	95mm
455 540	Lifting link	NG 13, WLL 5,3t, GK 8, for mini skip, with clevis	60mm	158,5mm	120mm

Container lashing / Lashing chains



455 910 /-920 /-910 1 /-920 1

Article no.	Product	Description
455 910	Container lashing	NG 10, GK 8, lashing capacity 6.300daN, maximum effective length 3100mm/strand
455 920	Container lashing	NG 10, GK 8, lashing capacity 6.300daN, maximum effective length 2200m/strand
455 910 1	Container lashing	NG 8, GK 8, lashing capacity 6.300daN, maximum effective length 3100m/strand
455 920 1	Container lashing	NG 8, GK 8, lashing capacity 6.300daN, maximum effective length 2200m/strand

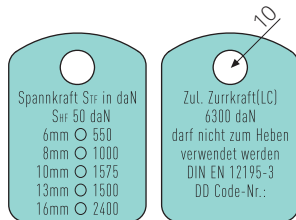


455 805 /-810 /-815 /-820 /-825

Article no.	Product	Description	B	NG	t	WLL
455 805	Lashing chain	EN 818-2	21,6mm	6mm	18mm	1,12t
455 810	Lashing chain	EN 818-2	28,8mm	8mm	24mm	2t
455 815	Lashing chain	EN 818-2	36mm	10mm	30mm	3,15t
455 820	Lashing chain	EN 818-2	46,8mm	13mm	39mm	5,3t
455 825	Lashing chain	EN 818-2	57,6mm	16mm	48mm	8t



455 830



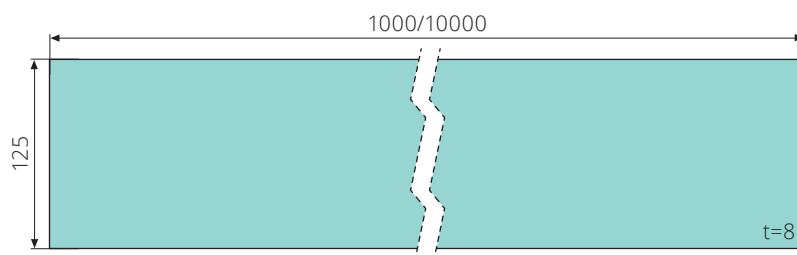
455 831

Article no.	Product	Description
455 830	Inspection badge	for lashing chain GK 8
455 831	Inspection badge	for lashing chain GK 8, lashing force

Anti-slip mats

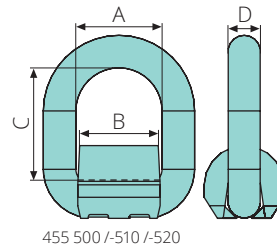
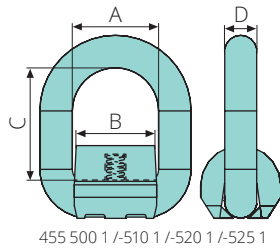


455 981

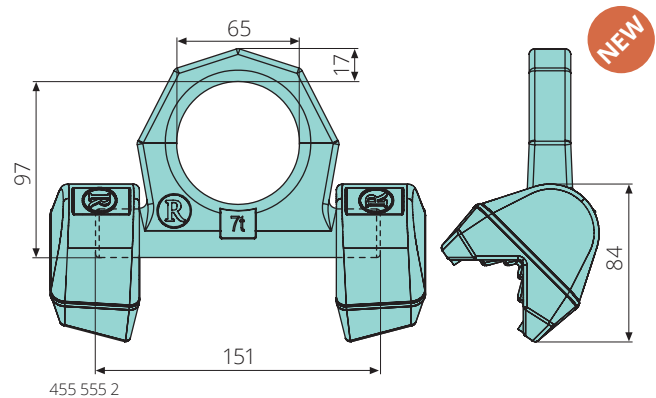
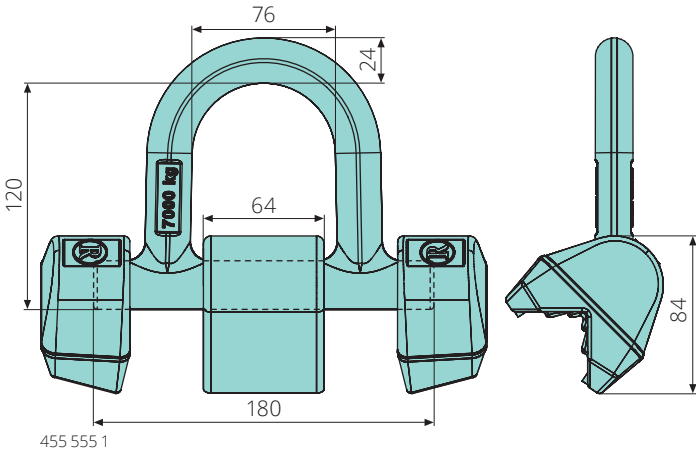


Article no.	Product	Description
455 981	Anti-slip mat	125x1000x8mm, slip-friction coefficient $\mu=0,6$
455 982	Anti-slip mat	125x10000x8mm, slip-friction coefficient $\mu=0,6$

Lifting points / Load rings

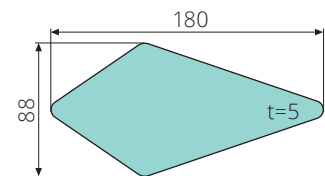
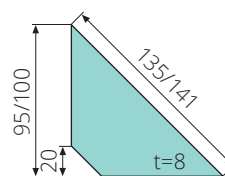
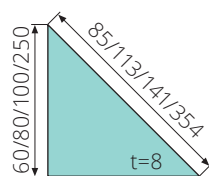
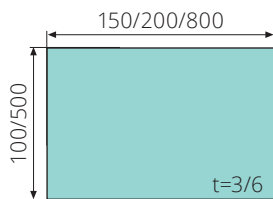
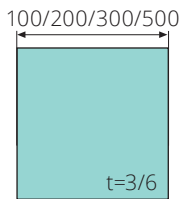


Article no.	Product	Description	A	B	C	D
455 500 1	Lifting point	WLL 3,15t, with spring, for welding	45mm	43mm	60mm	17mm
455 500	Lifting point	WLL 3,15t, for welding	45mm	43mm	60mm	17mm
455 510 1	Lifting point	WLL 5,3t, with spring, for welding	55mm	49mm	76mm	22mm
455 510	Lifting point	WLL 5,3t, for welding	55mm	49mm	76mm	22mm
455 520 1	Lifting point	WLL 8t, with spring, for welding	69mm	66mm	88mm	26,5mm
455 520	Lifting point	WLL 8t, for welding	69mm	66mm	88mm	26,5mm
455 525 1	Lifting point	WLL 15t, with spring, for welding	97mm	90mm	120mm	34mm



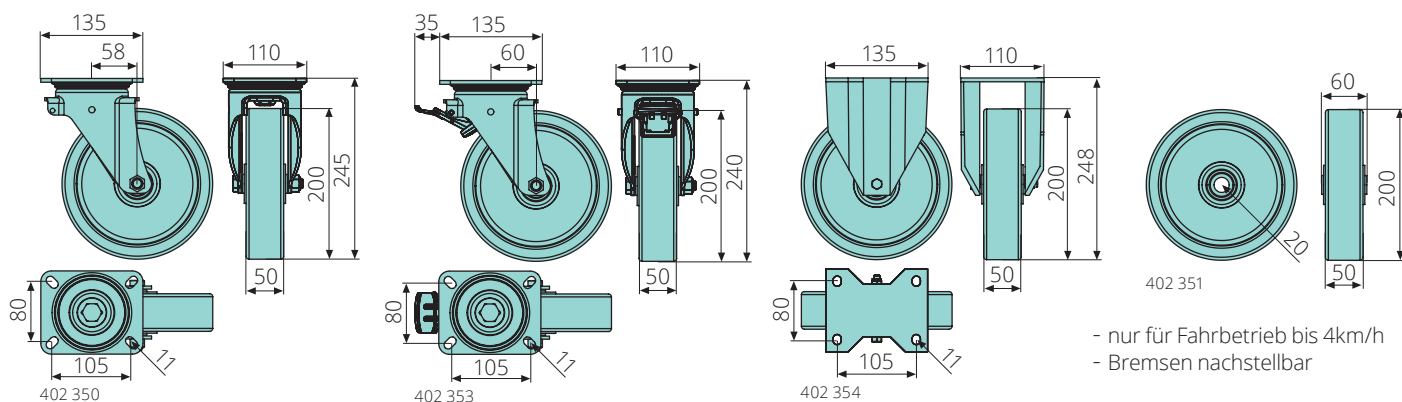
Article no.	Product	Description
455 555 1	Load ring for crane liftable skips	WLL 7t, for welding, swivel range 270°, with left, right & center mount
455 555 2	Load ring for crane liftable skips	WLL 7t, for welding, swivel range 270°, with left & right mount

Repair plates



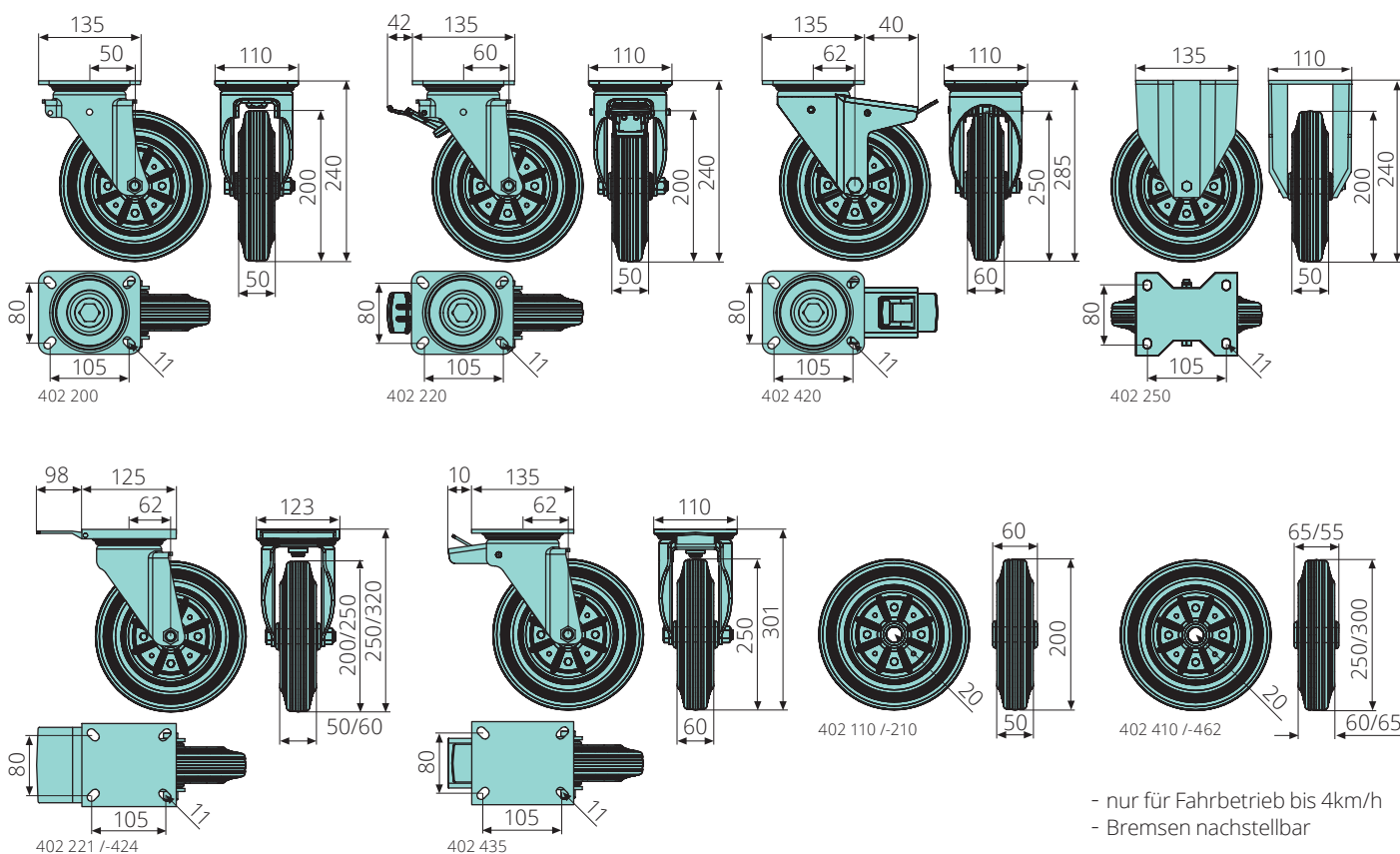
Article no.	Product	Description
459 083	Plate	100x100x3mm, square
459 082	Plate	200x200x3mm, square
459 081	Plate	300x300x3mm, square
452 050	Plate	500x500x6mm, square
459 085	Plate	150x100x3mm, rectangular
459 084	Plate	200x100x3mm, rectangular
452 051	Plate	500x800x6mm, rectangular
459 189	Plate	60x60x85x8mm, triangular
459 187	Plate	80x80x113x8mm, triangular
459 188	Plate	100x100x141x8mm, triangular
459 186	Plate	250x250x354x8mm, triangular
459 193	Plate	95x95x135x10mm, trapezoidal
459 192	Plate	100x100x141x10mm, trapezoidal
454 283	Reinforcement Plate	180x88x5mm, kite shaped

Casters



- nur für Fahrbetrieb bis 4km/h
- Bremsen nachstellbar

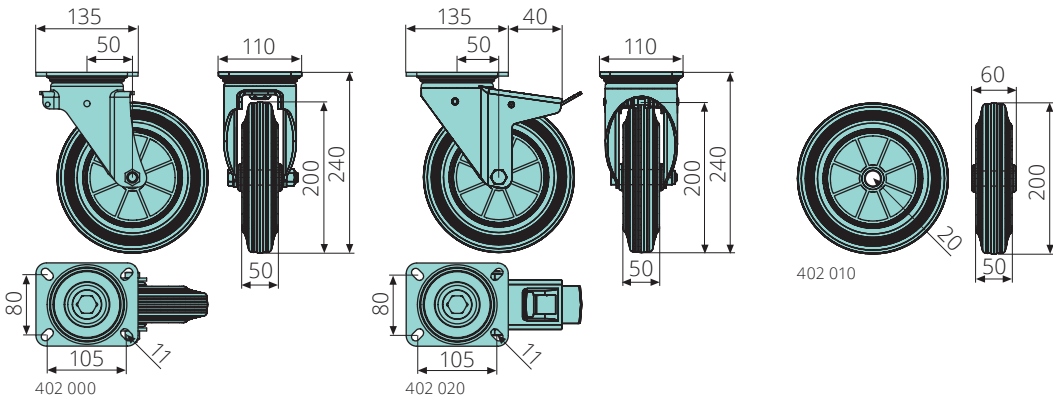
Article no.	Product	Description
402 350	Heavy duty swivel caster	200x50mm, dynamic load capacity 1000kg, polyurethane tyre, cast iron hub, ball bearing
402 353	Heavy duty swivel caster	200x50mm, dynamic load capacity 1000kg, polyurethane tyre, cast iron hub, ball bearing, with brake
402 354	Heavy duty fixed caster	200x50mm, dynamic load capacity 1000kg, polyurethane tyre, cast iron hub, ball bearing
402 351	Heavy duty Wheel	200x50mm, dynamic load capacity 1000kg, polyurethane tyre, cast iron hub, ball bearing



- nur für Fahrbetrieb bis 4km/h
- Bremsen nachstellbar

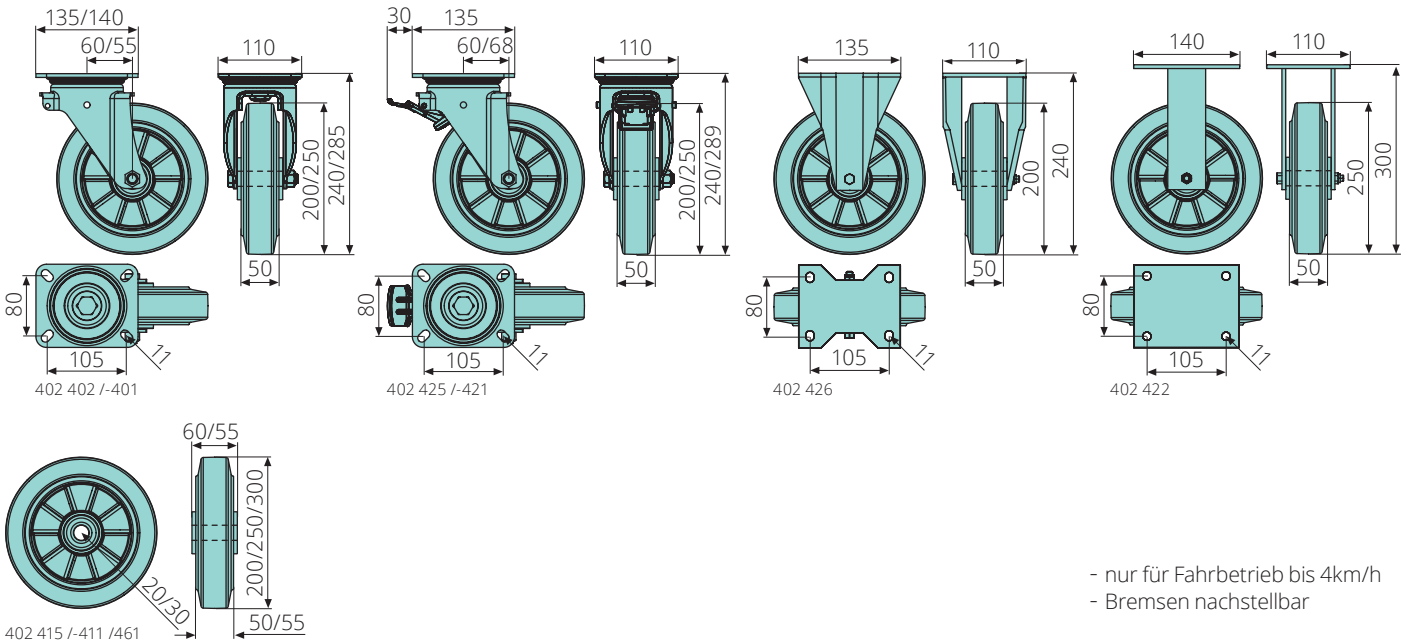
Article no.	Product	Description
402 200	Swivel caster	200x50mm, dynamic load capacity 250kg, solid rubber tyre, steel hub, roller bearing
402 220	Swivel caster	200x50mm, dynamic load capacity 250kg, solid rubber tyre, steel hub, roller bearing, with brake
402 420	Swivel caster	250x60mm, dynamic load capacity 295kg, solid rubber tyre, steel hub, roller bearing, with brake
402 250	Fixed caster	200x50mm, dynamic load capacity 250kg, solid rubber tyre, steel hub, roller bearing
402 221	Swivel caster	200x50mm, dynamic load capacity 400kg, elastic rubber tyre, steel hub, ball bearing, with brake, typ
402 424	Swivel caster	250x60mm, dynamic load capacity 400kg, elastic rubber tyre, steel hub, ball bearing, with brake, typ
402 435	Swivel caster	250x60mm, dynamic load capacity 400kg, elastic rubber tyre, steel hub, ball bearing, with brake, typ
402 110	Wheel	200x50mm, dynamic load capacity 205kg, solid rubber tyre, steel hub, roller bearing
402 210	Wheel	200x50mm, dynamic load capacity 250kg, solid rubber tyre, steel hub, roller bearing
402 410	Wheel	250x60mm, dynamic load capacity 300kg, solid rubber tyre, steel hub, roller bearing
402 462	Wheel	300x55mm, dynamic load capacity 700kg, elastic rubber tyre, steel hub, plastic bearing

Casters



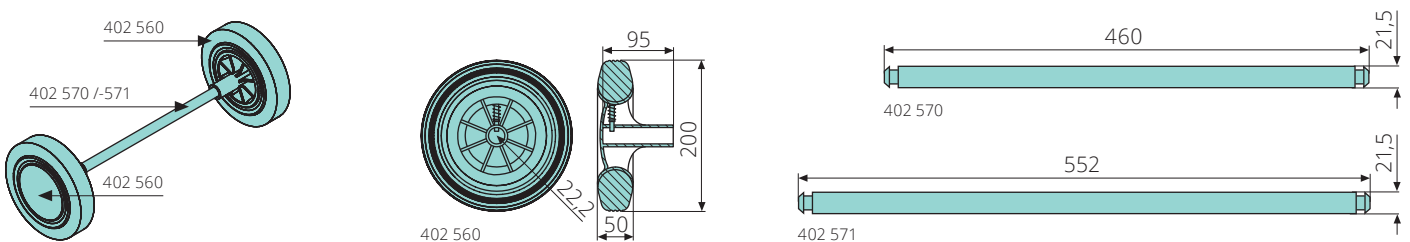
- nur für Fahrbetrieb bis 4km/h
- Bremsen nachstellbar

Article no.	Product	Description
402 000	Swivel caster	200x50mm, dynamic load capacity 205kg, solid rubber tyre, plastic hub, plain bearing
402 020	Swivel caster	200x50mm, dynamic load capacity 205kg, solid rubber tyre, plastic hub, plain bearing, with brake
402 010	Wheel	200x50mm, dynamic load capacity 205kg, solid rubber tyre, plastic hub, plain bearing



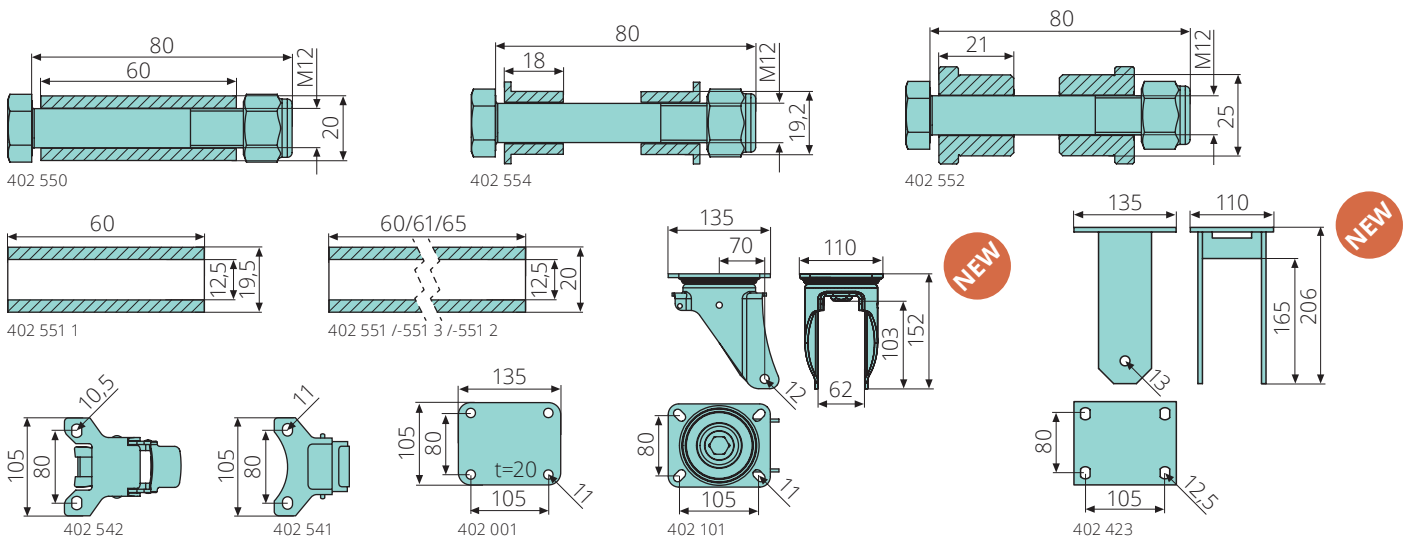
- nur für Fahrbetrieb bis 4km/h
- Bremsen nachstellbar

Article no.	Product	Description
402 402	Swivel caster	200x50mm, dynamic load capacity 400kg, elastic rubber tyre, aluminum hub, ball bearing
402 425	Swivel caster	200x50mm, dynamic load capacity 400kg, elastic rubber tyre, aluminum hub, ball bearing, with brake
402 401	Swivel caster	250x50mm, dynamic load capacity 400kg, elastic rubber tyre, aluminum hub, ball bearing
402 421	Swivel caster	250x50mm, dynamic load capacity 400kg, elastic rubber tyre, aluminum hub, ball bearing, with brake
402 426	Fixed caster	200x50mm, dynamic load capacity 500kg, elastic rubber tyre, aluminum hub, ball bearing
402 422	Fixed caster	250x50mm, dynamic load capacity 550kg, elastic rubber tyre, aluminum hub, ball bearing
402 415	Wheel	200x50mm, dynamic load capacity 500kg, elastic rubber tyre, aluminum hub, ball bearing
402 411	Wheel	250x50mm, dynamic load capacity 550kg, elastic rubber tyre, aluminum hub, ball bearing
402 461	Wheel	300x55mm, dynamic load capacity 700kg, elastic rubber tires, aluminum hub, ball bearing

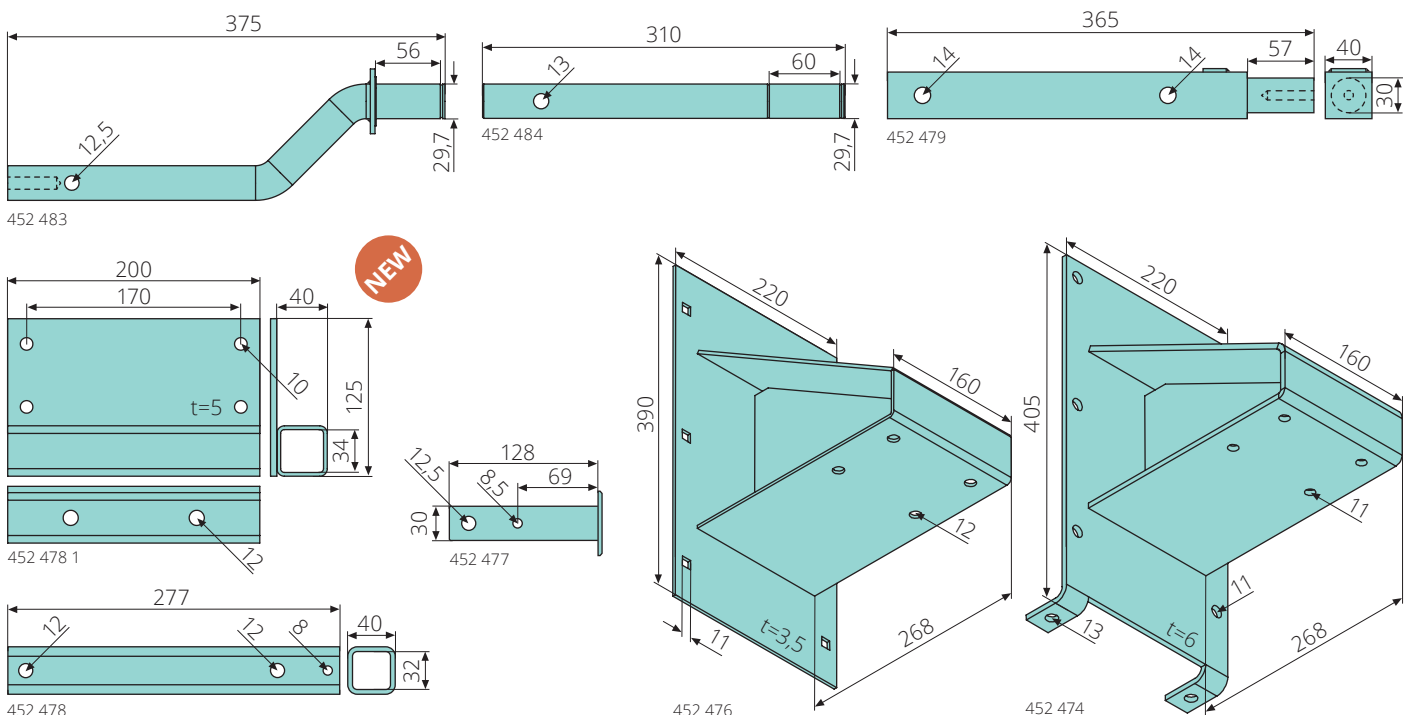


Article no.	Product	Description
402 560	Extended hub wheel	200x50mm, rubber tyre, plastic hub
402 570	Shaft for extended hub wheel	21,5x460mm, for 120 l containers, galvanized, solid material
402 571	Shaft for extended hub wheel	21,5x552mm, for 240 l containers, galvanized, solid material

Accessories for mounting casters

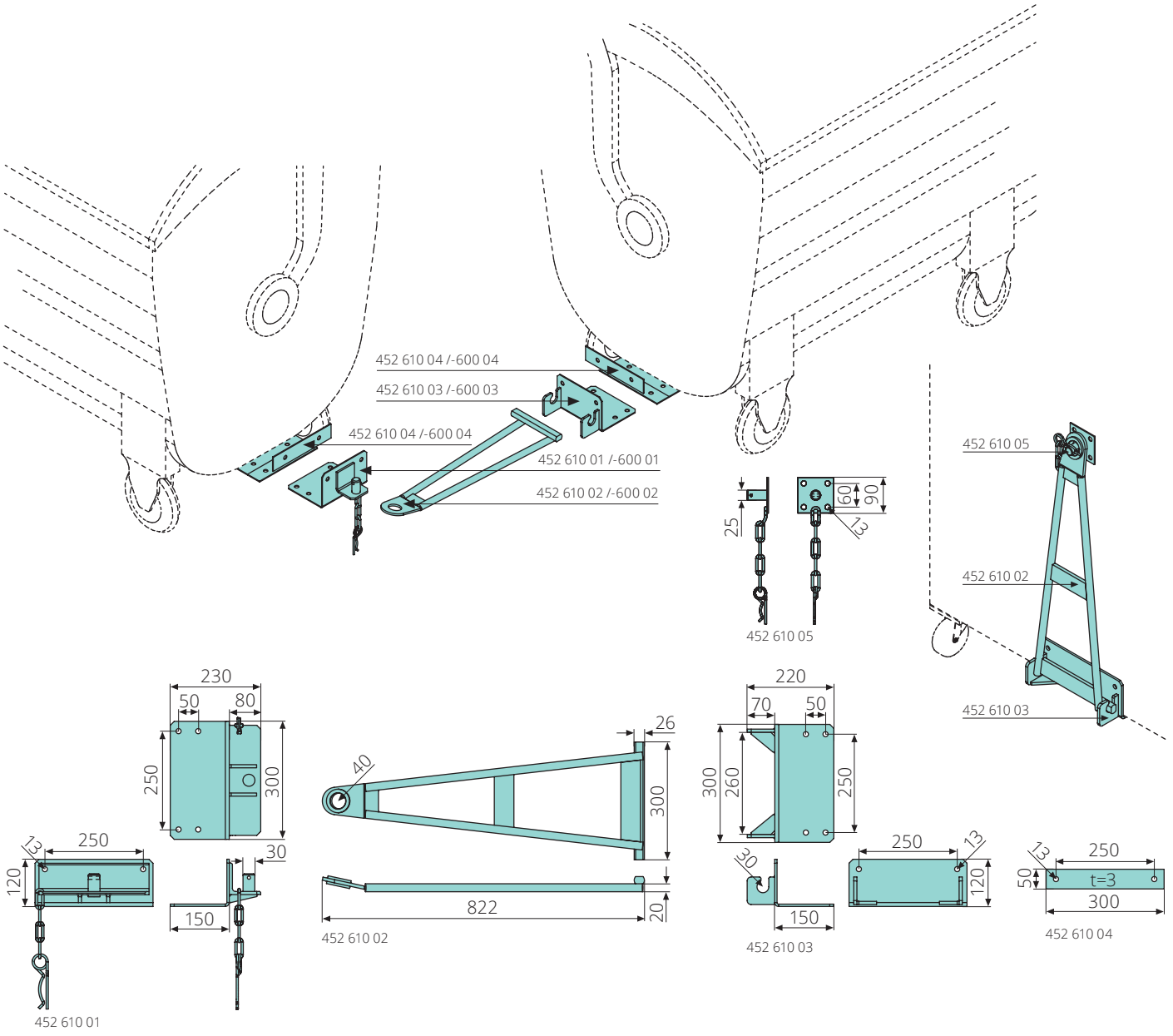


Article no.	Product	Description
402 550	Assembly kit for for wheels	20x80mm, for wheels D=200mm & plain/roller bearing, with shaft, lock nut & sleeve tubing
402 551 1	Sleeve tubing	12,5-19,5-60mm, for wheels D=200mm & plain/roller bearing
402 551	Sleeve tubing	12,5-20-60mm, for wheels D=200mm & plain/roller bearing
402 551 3	Sleeve tubing	12,5-20-61mm, for wheels D=200mm & plain/roller bearing
402 551 2	Sleeve tubing	12,5-20-65mm, for wheels D=200mm & plain/roller bearing
402 554	Assembly kit for for wheels	19,2x80mm, for wheels D=200mm & ball bearing, with shaft, lock nut & 2 bushings
402 552	Assembly kit for for wheels	25x80mm, for wheels D=250mm & ball bearing, with shaft, lock nut & 2 bushings
402 542	Directional lock	type HACO
402 541	Directional lock	type LIV
402 001	Spacer plate	135x105x20mm, for swivel casters, galvanized
402 423	Bracket for casters	for casters 200x50mm, dynamic load capacity 550kg, welded, galvanized
402 101	Bracket for casters	for casters 200x50mm, without brake, galvanized

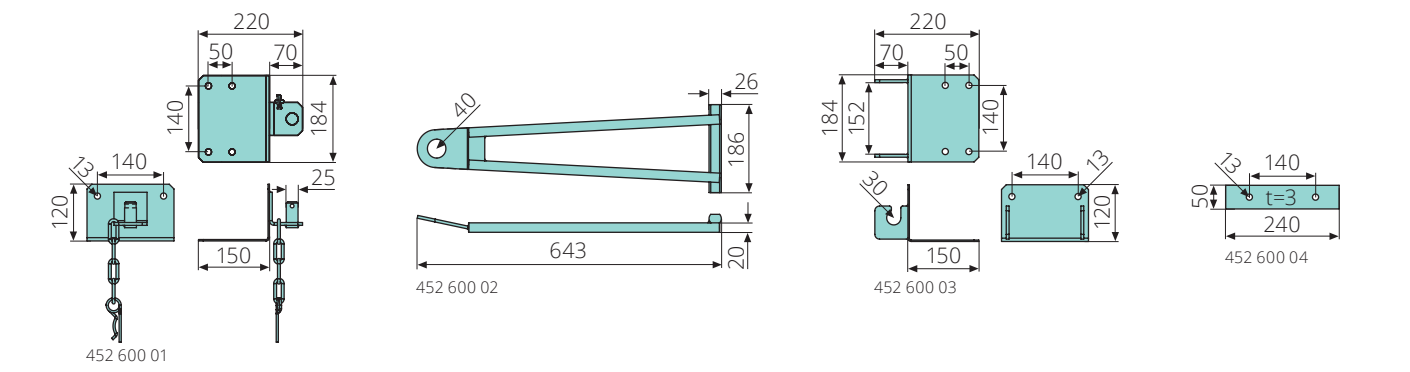


Article no.	Product	Description
452 483	Axle	29,7x375mm, galvanized, with thread M12, type BERINGER
452 484	Axle	29,7x310mm, galvanized, type BERINGER
452 479	Axle	30x365mm, galvanized, with thread M10, type BERINGER
452 478 1	Mount for axle	40x125x200mm, galvanized, for bolted mounting
452 478	Mount for axle	40x40x277mm, galvanized, type IVB
452 477	Axle	30x128mm, galvanized, type IVB
452 476	Support for casters	390x220mm, galvanized, type IVB
452 474	Support for casters	405x220mm, galvanized, type BERINGER

Hitching devices

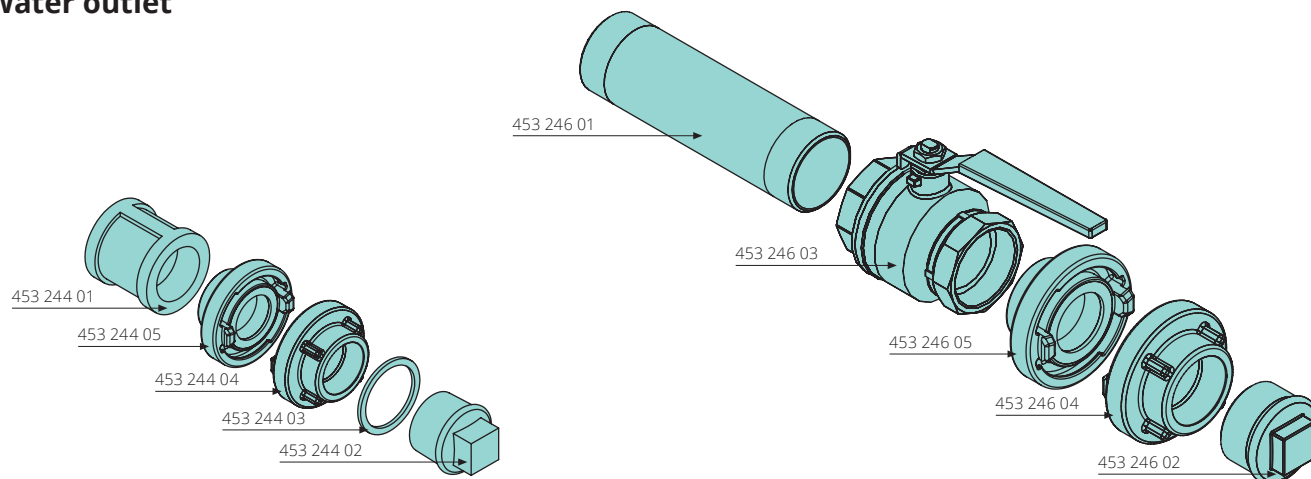


Article no.	Product	Description
452 610 01	Hitch	300x230x120mm, for 2,5m³ wheelie bins, galvanized
452 610 02	Drawbar	822x300mm, for 2,5m³ wheelie bins, galvanized
452 610 03	Seat for drawbar	300x220x120mm, for 2,5m³ wheelie bins, galvanized
452 610 04	Counter plate	300x50x3mm, for 2,5m³ wheelie bins, 3 needed for mounting a hitch or seat, galvanized
452 610 05	Detent for drawbar	90x90x3mm, galvanized



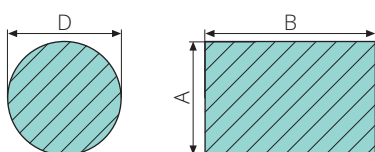
Article no.	Product	Description
452 600 01	Hitch	184x220x120mm, for 800-1100 liter bins, galvanized
452 600 02	Drawbar	643,4x186mm, for 800-1100 liter bins, galvanized
452 600 03	Seat for drawbar	184x220x120mm, for 800-1100 liter bins, galvanized
452 600 04	Counter plate	240x50x3mm, for 800-1100 liter bins, 3 needed for mounting a hitch or seat, galvanized

Water outlet



Article no.	Product	Description
453 244 01	Coupling sleeve	1", raw
453 244 05	Storz coupling	1", outer thread
453 244 04	Storz coupling	1", inner thread
453 244 03	Sealing ring	1"
453 244 02	Plug	1", galvanized
453 246 01	Threaded pipe	2", L=200mm, galvanized
453 246 03	Ball valve	2", brass thread, SW65
453 246 05	Storz coupling	2", outer thread
453 246 04	Storz coupling	2", inner thread
453 246 02	Plug	2", galvanized

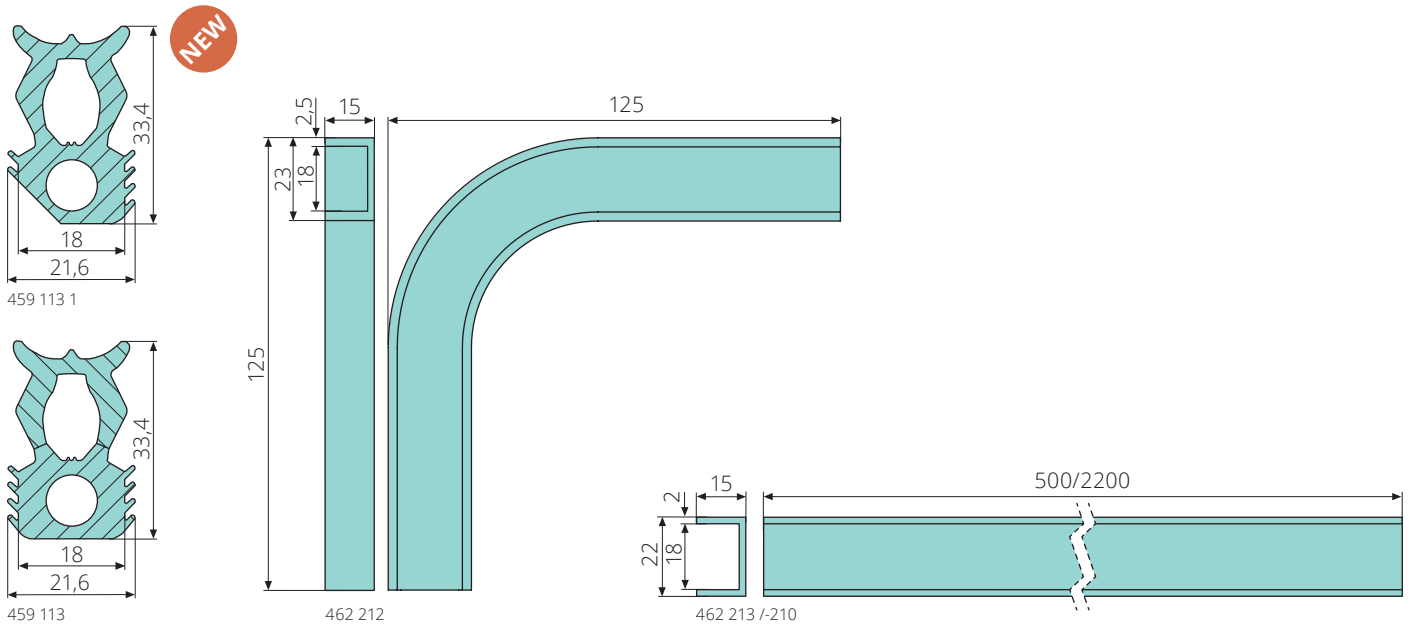
Foam rubber seals



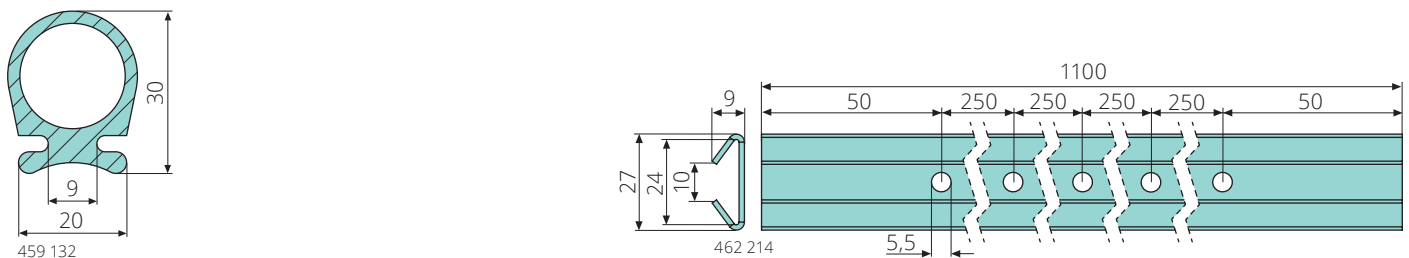
Article no.	Product	Description
459 119	Foam rubber seal	D=20mm, round, 25m bundle
459 120	Foam rubber seal	D=30mm, round, 20m bundle
459 126	Foam rubber seal	10x60mm, square, 25m bundle
459 114	Foam rubber seal	12x20mm, square, 50m bundle
459 128 01	Foam rubber seal	15x15mm, square, 25m bundle
459 102	Foam rubber seal	15x20mm, square, 25m bundle
459 115	Foam rubber seal	15x30mm, square, 25m bundle
459 104	Foam rubber seal	15x40mm, square, 25m bundle
459 104 1	Foam rubber seal	15x50mm, square, 25m bundle
459 101	Foam rubber seal	20x20mm, square, 25m bundle
459 127	Foam rubber seal	20x25mm, square, 25m bundle
459 112	Foam rubber seal	20x30mm, square, 25m bundle
459 112 1	Foam rubber seal	20x35mm, square, 25m bundle
459 106	Foam rubber seal	20x40mm, square, 25m bundle
459 117	Foam rubber seal	20x45mm, square, 25m bundle
459 103	Foam rubber seal	20x50mm, square, 25m bundle
459 107	Foam rubber seal	25x25mm, square, 25m bundle
459 125	Foam rubber seal	25x40mm, square, 25m bundle
459 111	Foam rubber seal	25x50mm, square, 15m bundle
459 108	Foam rubber seal	30x30mm, square, 20m bundle
459 118	Foam rubber seal	30x35mm, square, 15m bundle
459 110 1	Foam rubber seal	30x40mm, square, 15m bundle
459 110	Foam rubber seal	30x45mm, square, 15m bundle
459 116	Foam rubber seal	40x40mm, square, 10m bundle

Article no.	Product	Description
459 143	Adhesive kit for EPDM	glue & primer, 30g, to be applied in thin layers on both ends

Rubber seals / Guide profiles

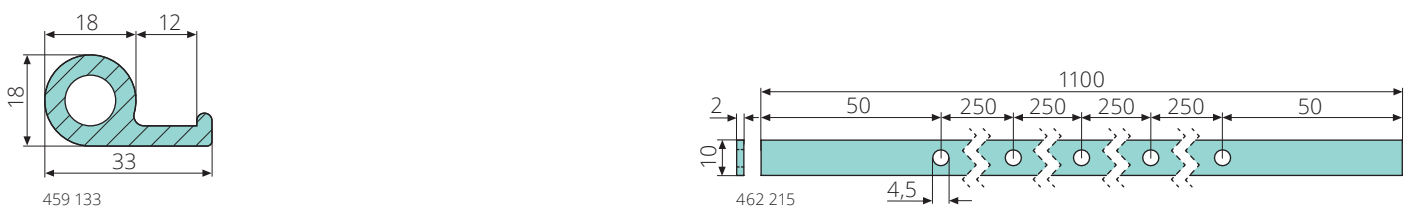


Article no.	Product	Description
459 113 1	Solid rubber seal	21,6x33,4mm, 20m bundle
459 113	Seal for compactors	21,6x33,4mm, 2 types of rubber, 20m bundle
Article no.	Product	Description
462 212	U-profile	125x23x15x2,5mm, 90° elbow, S355J2
462 213	U-profile	500x22x15x2mm, S355J2
462 210	U-profile	2200x22x15x2mm, S355J2



Article no.	Product	Description
459 132	Seal for container doors	20x30mm, 30m bundle

Article no.	Product	Description
462 214	Guide profile	1100x27x9mm, steel, galvanized



Article no.	Product	Description
459 133	Seal for container doors	18x33mm, 25m bundle

Article no.	Product	Description
462 215	Anchoring plate	1100x10x2mm, galvanized



Article no.	Product	Description
459 209	Composite sealing profile	24x14,6mm, self-clamping, 25m bundle, deformable max. 10mm

Stickers

459 220 1	459 255 1	459 222 1	459 221 1	459 243	459 242	459 234	459 232		
459 206	459 280	459 200	459 200 1	459 231	459 238	459 235	459 236	459 230	459 239
459 284	459 281	459 241 1							
Article no.	Product	Description							
459 220 1	PVC base sticker "Prüfung gemäß § 14 BetrSichV"	210x150mm, 2 stickers/sheet							
459 255 1	PVC base sticker "Prüfung gemäß § 14 BetrSichV" mit Logo	110x148mm, 4 stickers/sheet							
459 222 1	PVC base sticker "Prüfung gemäß § 14 BetrSichV"	105x95mm, 6 stickers/sheet							
459 221 1	PVC base sticker "Prüfung gemäß § 14 BetrSichV"	40x95mm, 15 stickers/sheet							
459 243	PVC inspection sticker "perennial"	D=75mm, 6 stickers/sheets							
459 242	PVC inspection sticker "perennial"	D=30mm, 48 stickers/sheet							
459 234	PVC inspection sticker "2022"	D=75mm, 6 stickers/sheet							
459 232	PVC inspection sticker "2022"	D=30mm, 48 stickers/sheet							
459 231	PVC inspection sticker "2023"	D=75mm, 6 stickers/sheet							
459 238	PVC inspection sticker "2023"	D=30mm, 48 stickers/sheet							
459 235	PVC inspection sticker "2024"	D=75mm, 6 stickers/sheet							
459 236	PVC inspection sticker "2024"	D=30mm, 48 stickers/sheet							
459 230	PVC inspection sticker "2025"	D=75mm, 6 stickers/sheet							
459 239	PVC inspection sticker "2025"	D=30mm, 48 stickers/sheet							
459 206	PVC sticker "Im Interesse des Umweltschutzes"	297x210mm							
459 280	PVC sticker "Im Interesse des Umweltschutzes"	210x150mm, 2 stickers/sheet							
459 200	Type label aluminum sticker for skips	95x65mm, 8 stickers/sheet							
459 200 1	Type label aluminum plate for skips	100x70mm							
459 284	PVC sticker "Schadstoffhaltige Abfälle"	297x210mm							
459 281	PVC sticker "Warnhinweise für Umleerbehälter"	150x210mm, 2 stickers/sheet							
459 241 1	PVC sticker "Warnhinweise für Absetzcontainer"	210x297mm							

Stickers according to customer specification on request

Stickers



459 259



459 270



459 205



459 283



459 210 1



459 203



459 207



459 282



459 210



459 277



459 276



459 275



459 271



459 272



459 273



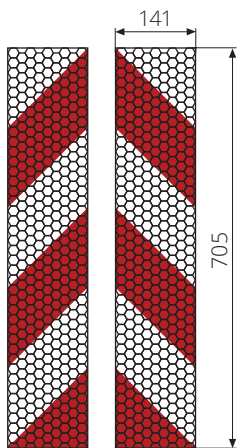
459 274



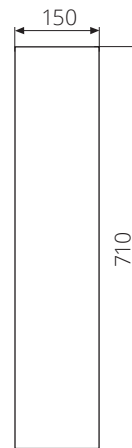
459 278

Article no.	Product	Description
459 259	PVC sticker "nur mit verriegelten Richtungsfeststellern"	210x150mm, 2 stickers/sheet
459 270	PVC sticker "Aufhängepunkte nur für Leertransport"	210x150mm, 2 stickers/sheet
459 205	PVC sticker "Bekleben verboten!"	210x150mm, 2 stickers/sheet
459 283	PVC sticker "Zufahrt freihalten!"	210x95mm, 3 stickers/sheet
459 203	PVC sticker "Aufsteigen verboten"	D=200mm
459 207	PVC sticker "Nur bis zum Rand füllen!"	D=200mm
459 282	PVC sticker "Quetschgefahr"	210x150mm, 2 stickers/sheet
459 210 1	PVC sticker "Deckel ist federbelastet"	105x95mm, 6 stickers/sheet
459 210	PVC sticker "Deckel ist federbelastet"	210x150mm, 2 stickers/sheet
459 277	PVC sticker "Folie"	297x70mm, 3 stickers/sheet
459 276	PVC sticker "Grünschnitt"	297x70mm, 3 stickers/sheet
459 275	PVC sticker "Hausmüll"	297x70mm, 3 stickers/sheet
459 271	PVC sticker "Karton"	297x70mm, 3 stickers/sheet
459 272	PVC sticker "Kunststoff"	297x70mm, 3 stickers/sheet
459 273	PVC sticker "Papier"	297x70mm, 3 stickers/sheet
459 274	PVC sticker "Restmüll"	297x70mm, 3 stickers/sheet
459 278	PVC sticker "your text"	297x70mm, 3 stickers/sheet

Chevron marking



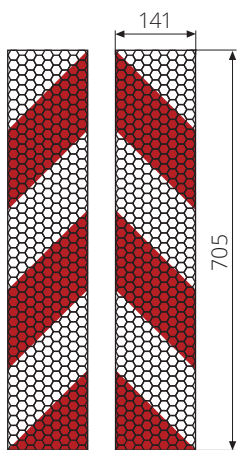
459 070



459 100

Article no.	Product	Description
459 070	Chevron marking	705x141mm, DIN 67520, retroreflective, 4x left, 4x right, 10 year guarantee

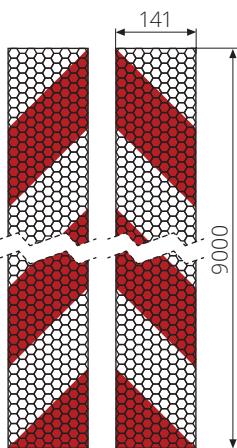
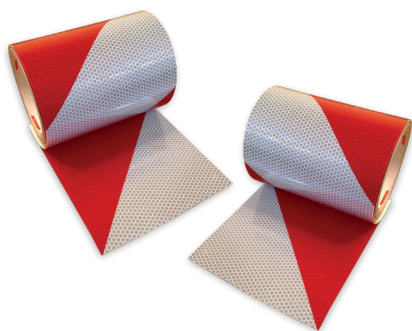
Article no.	Product	Description
459 100	Magnetic foil	710x150x0,9mm, white



459 076 /-076 1

Article no.	Product	Description
459 076	Chevron marking	705x141mm, DIN 67520, retroreflective, 4x left, 4x right, 5 year warranty
459 076 1	Chevron marking	705x141mm, DIN 67520/6171, retroreflective, 4x left, 4x right, 5 year warranty

Chevron marking for vehicles



459 075

Article no.	Product	Description
459 075	Chevron marking for vehicles	9000x141mm, DIN 30710, retroreflective, edge protection film, 1 roll left, 1 roll right

Custom order form


Office Richard-Wagner-Straße 51
 10585 Berlin | Germany
 Phone +49 (0)30 2000 578 80
 E-mail vertrieb@rewald.eu
 Internet www.rewald.eu

We are happy to accept special requests. We ask for as much information as possible so that we can make an offer.

If available, you can also send us the following by e-mail or post:

- detailed photos
- technical drawings, 3D models, detailed sketches
- sample parts
- reference to similar Rewald articles

Contact Person	
Address	
Phone	
E-mail	
Rewald Customer no.	

Product	
Material	
OEM no.	
Manufacturer	
Amount	
Sketch	
	

Order form

Office Richard-Wagner-Straße 51
10585 Berlin | Germany
Phone +49 (0)30 2000 578 80
E-mail vertrieb@rewald.eu
Internet www.rewald.eu

Bill Address	
Contact Person	
Position	
Phone	
E-mail	
Rewald Customer no.	

Delivery Address	
Data	
Order no.	
Descriptionen	

Express Delivery Stardart Delivery

Article no.	Product	Amount

Payment 10 days 2% discount, 30 days netto
For further terms of payment & delivery see the general terms & conditions

Signature, company stamp

Name in capital letters

General terms & conditions REWALD GmbH

1. The customer declares himself in agreement with our standard terms and conditions when placing an order. Failure of the customer to reveal any particular terms of business on their side does not in any way imply our consent to them. In particular, the delivery or provision of services does not constitute implied acceptance of the customer's terms and conditions. Alterations, supplementary agreements and additions to the Standard Terms of Business require our written confirmation.

2. All offers are subject to change and are non-binding. All documents relating to these offers, including figures, drawings, weights or dimensions and including any other technical information and references to technical standards and designs merely indicate the object of the agreement and are subject to written confirmation of technical properties. All prices are quoted for deliveries ex-factory including loading in factory and excluding standard packaging and VAT. Our offers are based on the latest technical developments, the relevant accident prevention regulations, safety regulations etc at the time of making the offer.

3. For content and scope of the contract our written confirmation of the order is definitive. Supplementary agreements, additions etc require our written confirmation.

4. We only accept prepayment. Our request minimum value is 50 €.

5. In the event that after closing of contract we become aware of circumstances which substantially bring the credit-worthiness of the customer into question, or if payment terms are not met, we are entitled to demand at our discretion payment in advance of any liabilities arising out of the business relationship or to ask for appropriate securities.

6. If circumstances arising out of our control, including but not limited to operational disturbances, strikes or lock-outs, freight disruption and any other unforeseeable shortages which occur with our suppliers, and which cause the failure or delay of consignments or services, we reserve the right to deliver at a later date or to withdraw wholly or partly from the contract without the customer having the right to claim damages. In the event of a delay in delivery or services the customer is entitled to withdraw from the contract after the expiry of a reasonably extended deadline of at least 2 weeks. Any withdrawal from contract must take place through written declaration.

7. All shipments are insured. A statement of any damages or shortages to the consignment must be drawn up immediately after receipt. Liability for the risk of accidental damage passes to the purchaser when the consignment is handed over to the freight carrier, but at the latest when the consignment leaves the warehouse. Specific shipping instructions of the customer are only binding if agreed to in writing. Otherwise delivery will be made as we deem best and under exclusion of any liability for the choice of mode of shipment. Shipment takes place at the expense of the buyer. For orders within Germany with a minimum net value of 770 Euro freight delivery will not be charged.

8. The following conditions apply to our warranty and liability for defects in delivery or service, including incorrect delivery or performance: any claims must be made in writing within one week of receipt of goods or services. In the event of justified complaint, excluding the absence of guaranteed qualities, we reserve the right to remedy the defective delivery or service within a reasonable space of time. Where applicable, we may recall the defective goods and supply a replacement; we will not assume responsibility for the costs of assembly, disassembly, or installation. The customer is obliged to allow us the opportunity for rectification during normal working hours by prior agreement.

9. We retain title to all goods supplied pending full and complete payment and until all present and future claims arising out of the business relationship have been met. If the customer acquires sole or shared ownership on the basis of the joining, combining, mixing or processing of our consignment (with other consignments) then we shall have ownership to the ratio of the value of our consignment in relation to the other goods with which it is joined, combined or mixed. Any treatment or processing is covered according to Paragraph 950 BGB without any obligation on our part. Furthermore is any resale prohibited.

10. Only goods specifically listed on the delivery note can be returned. Goods which have been damaged are non-returnable. The cost and risks of return freighting of the returned goods will be borne by the customer. Returned goods will be refunded less a deduction of 20% of the purchase price.

11. The relinquishing of claims against the customer which are due to us in the business relationship is excluded.

12. We will only be liable for deliberate or gross negligence of our agents and senior management, or vicarious agents and assistants. Otherwise any claims for damages arising from fault during the contract negotiations, from actual breach of contract, arising out of a punishable act, or contractual rights (such as consultation or information about qualities, applications, service requirements etc) are ruled out. In particular we will only be liable for consultations for which a separate payment was agreed.

13. Place of dispatch for all shipments and payments is Berlin, Germany. Sole place of jurisdiction is Amtsgericht Berlin-Charlottenburg.

14. The contractual relationship is governed by German law. The application of the uniform law governing the international purchase of movable objects is excluded.

15. Should any of the above stated provisions be either fully or in part invalid, the validity of the remaining provisions of contract shall not in any way be affected.

Office Richard-Wagner-Straße 51 | 10585 Berlin | Germany

Warehouse Hafenstraße 1 | 16727 Velten | Germany

Phone +49 (0)30 2000 578 80

E-mail vertrieb@rewald.eu

Internet www.rewald.eu



Further Catalogs

