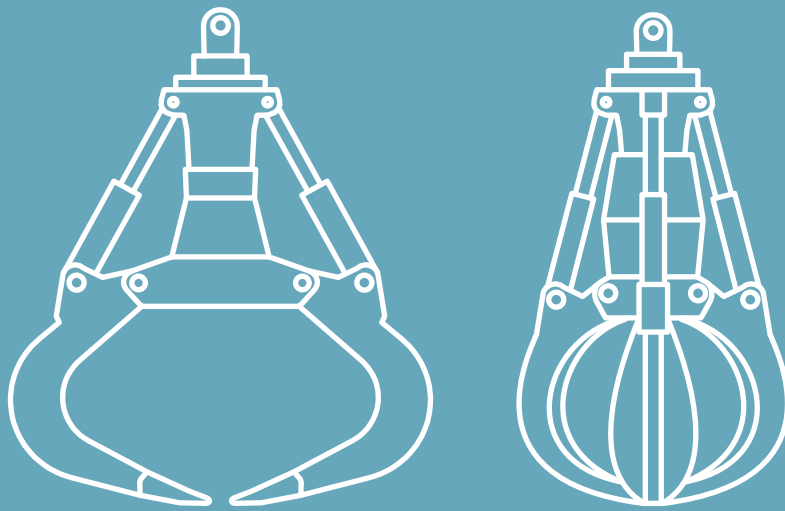


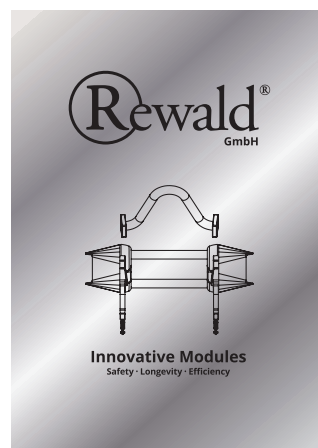
Rewald[®]
GmbH



**Components for
Grabs**

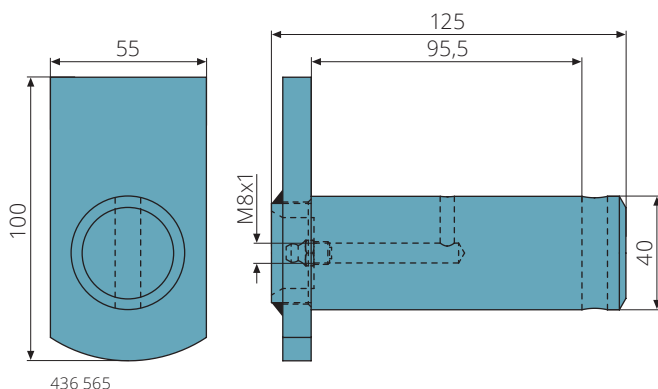
Catalog 2023

All Rewald Catalogs



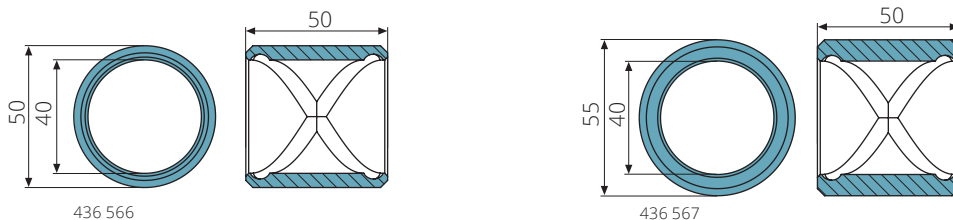
Contents

Type ATLAS	4
Type HGT	5
Type KINTEC	6
Type LIEBHERR	7
Type TEREX-FUCHS	8 – 9
Type TEREX-O&K	10
Type SBL	11
Grab suspensions	12 – 13
Bolts & bushings für grab suspensions	14 – 15
Lifting plug for underfloor containers	16
Custom order form / Order form / General terms & conditions REWALD GmbH	17 – 19



436 565

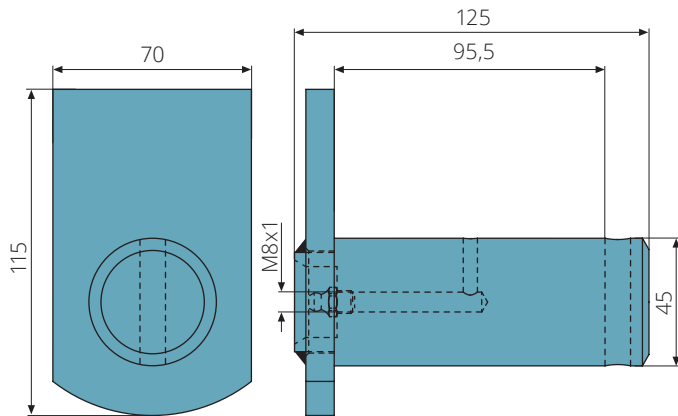
Article no.	Product	Description
436 565	Bolt	40x125mm, for grab bucket from 600mm bucket width, induction hardened



436 566

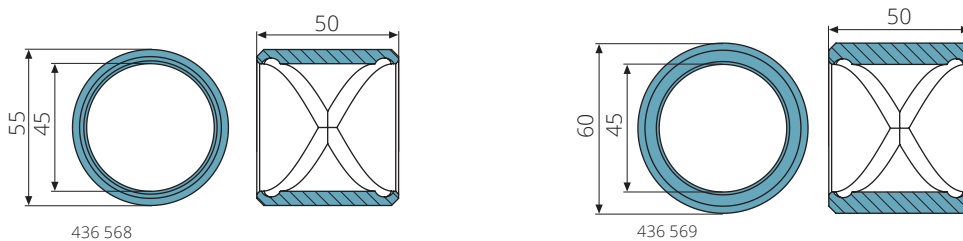
436 567

Article no.	Product	Description
436 566	Bushing	40-50-50mm, sleeve bearing for bolt 436 565, steel, hardened
436 567	Bushing	40-55-50mm, sleeve bearing for bolt 436 565, oversized, steel, hardened



436 563

Article no.	Product	Description
436 563	Bolt	45x125mm, for grab bucket up to 600mm bucket width, induction hardened

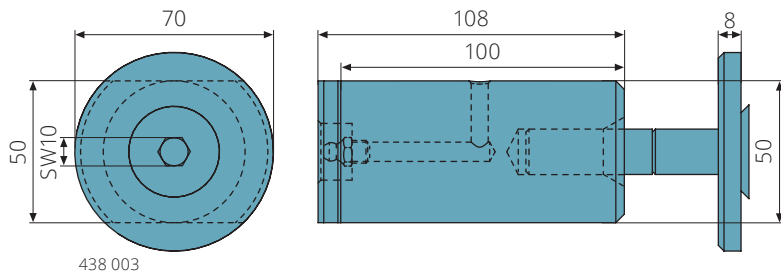


436 568

436 569

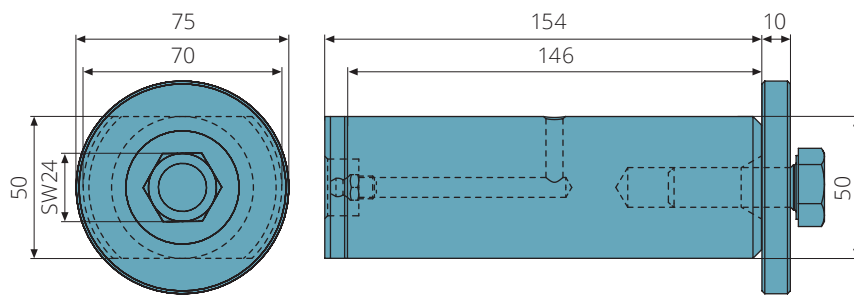
Article no.	Product	Description
436 568	Bushing	45-50-50mm, sleeve bearing for bolt 436 563, steel, hardened
436 569	Bushing	45-60-50mm, sleeve bearing for bolt 436 563, oversized, steel, hardened

Type HGT



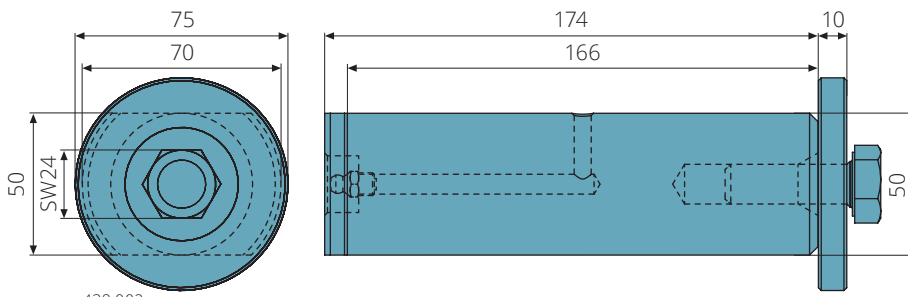
438 003

Article no.	Product	Description
438 003	Bolt	50x108mm, with washer & screw, hardened



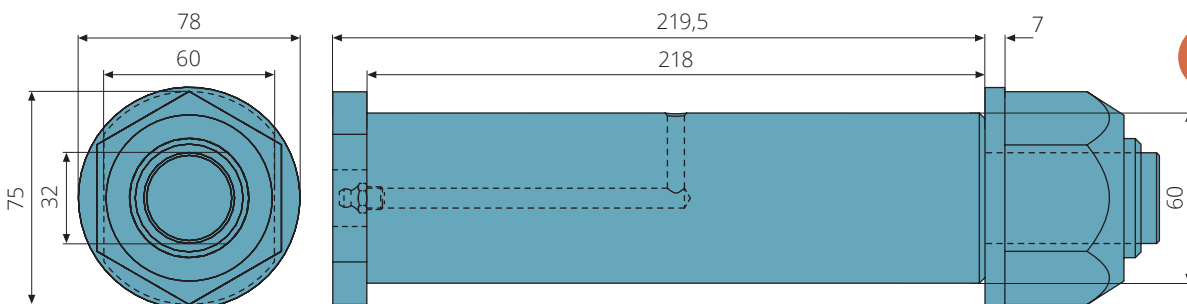
438 001

Article no.	Product	Description
438 001	Bolt	50x154mm, with washer & screw, hardened



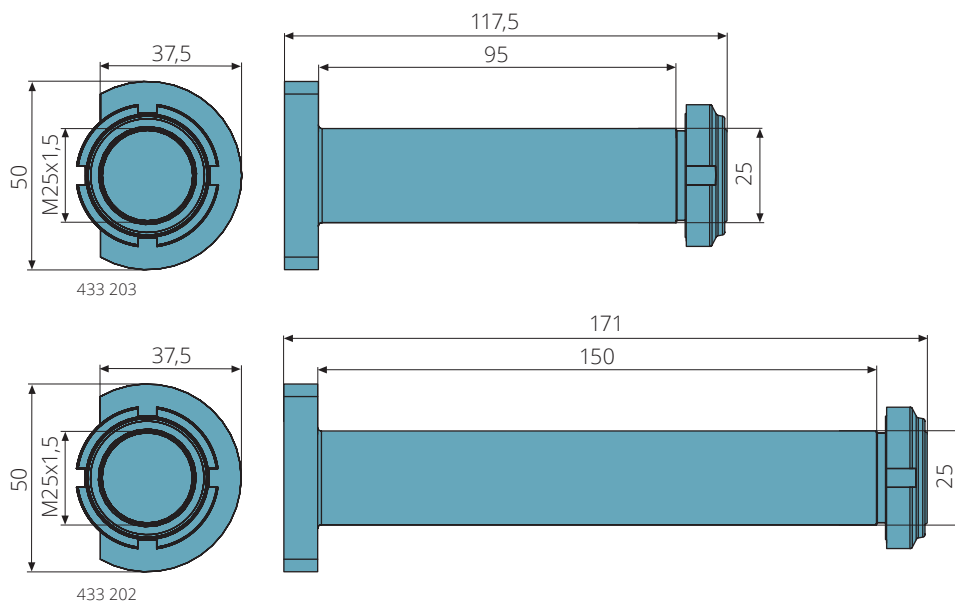
438 002

Article no.	Product	Description
438 002	Bolt	50x174mm, with washer & screw, hardened

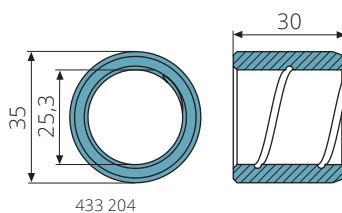


438 004

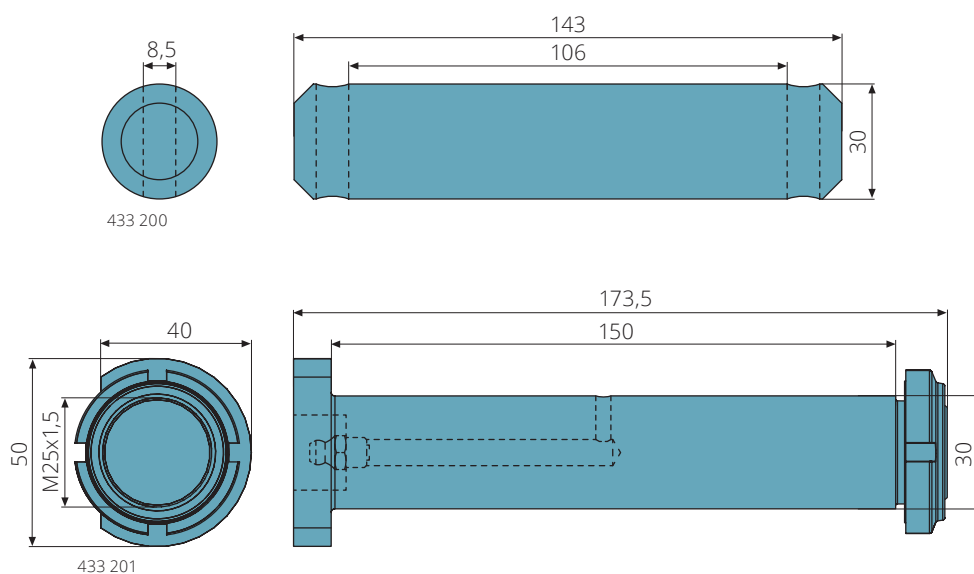
Article no.	Product	Description
438 004	Bolt	50x108mm, with washer & screw, hardened



Article no.	Product	Description
433 203	Bolt	25x117,5mm, with grooved nut, hardened
433 202	Bolt	25x171mm, with grooved nut, hardened

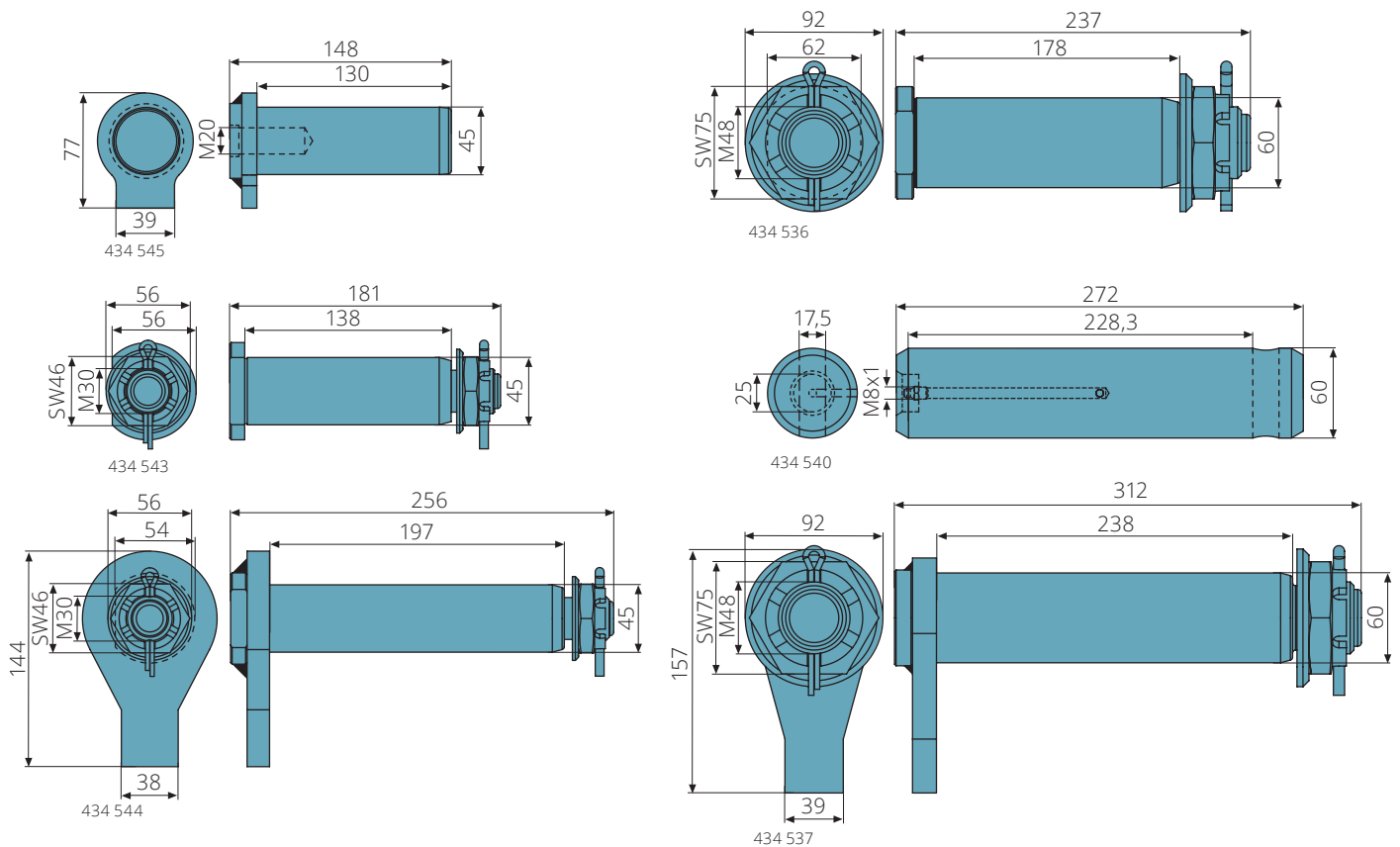


Article no.	Product	Description
433 204	Bushing	25,3-35-30mm, hardened

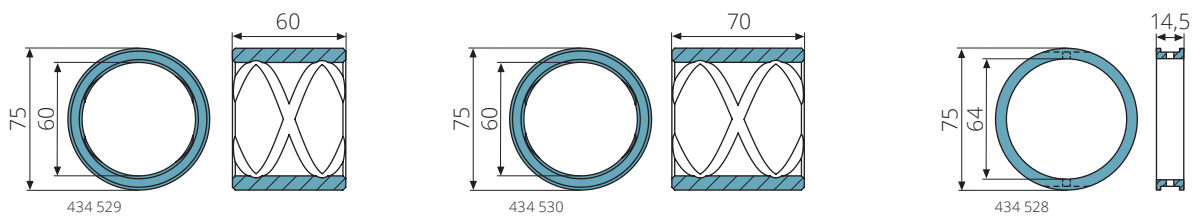


Article no.	Product	Description
433 200	Bolt	30x143mm
433 201	Bolt	30x173,5mm, with grooved nut, hardened

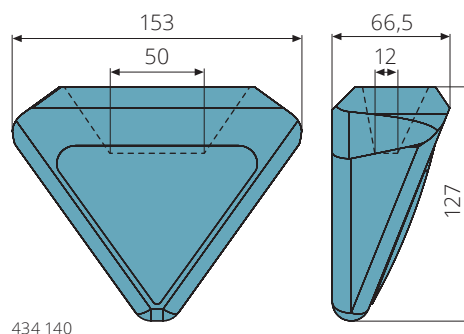
Type LIEBHERR



Article no.	Product	Description
434 545	Bolt	45x148mm, upper cylinder bolt, induction hardened
434 543	Bolt	45x181mm, with washer, cotter pin & nut, induction hardened
434 544	Bolt	45x256mm, lower cylinder bolt, with washer, cotter pin & nut, induction hardened
434 536	Bolt	60x237mm, with washer, cotter pin & nut, induction hardened
434 540	Bolt	60x272mm, for grab arm, induction hardened
434 537	Bolt	60x312mm, for grab arm, with washer, cotter pin & nut, induction hardened,

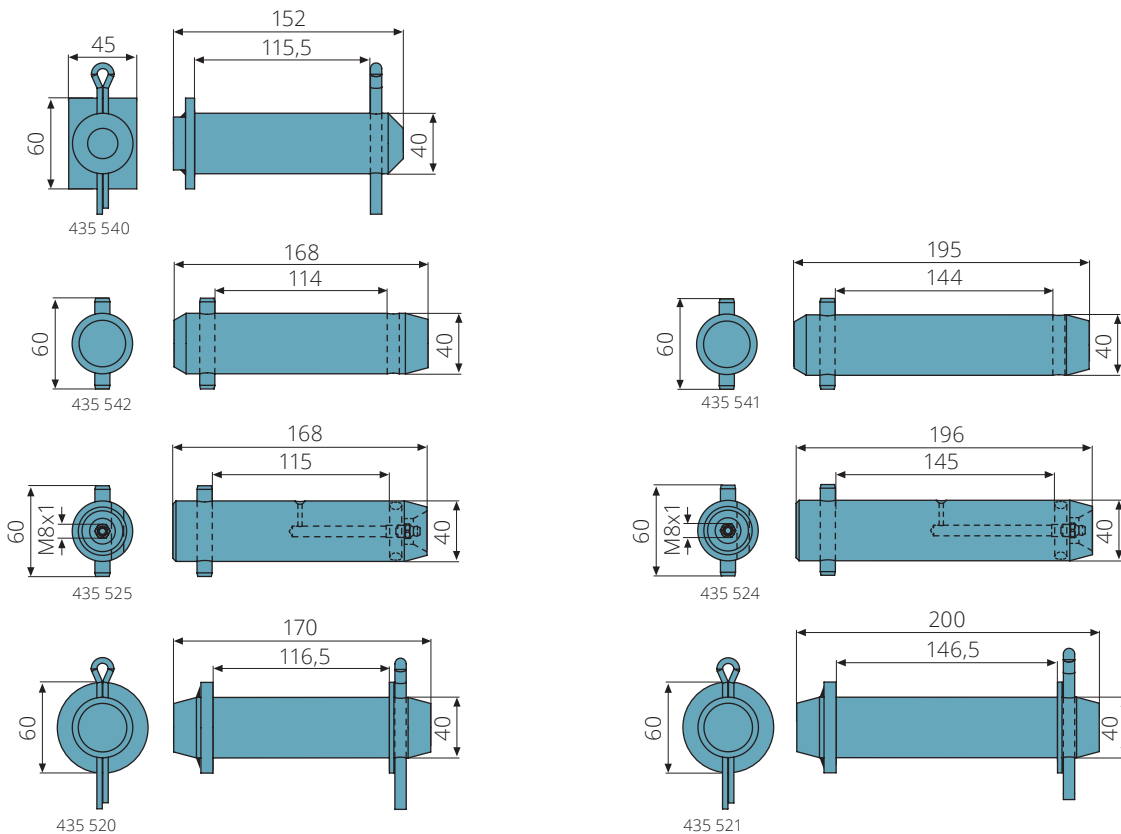


Article no.	Product	Description
434 529	Bushing	60-75-60mm, for grab arm, steel
434 530	Bushing	60-75-70mm, for grab arm, steel
434 528	Spacer bushing	64-75-14,5mm, for grab arm, steel

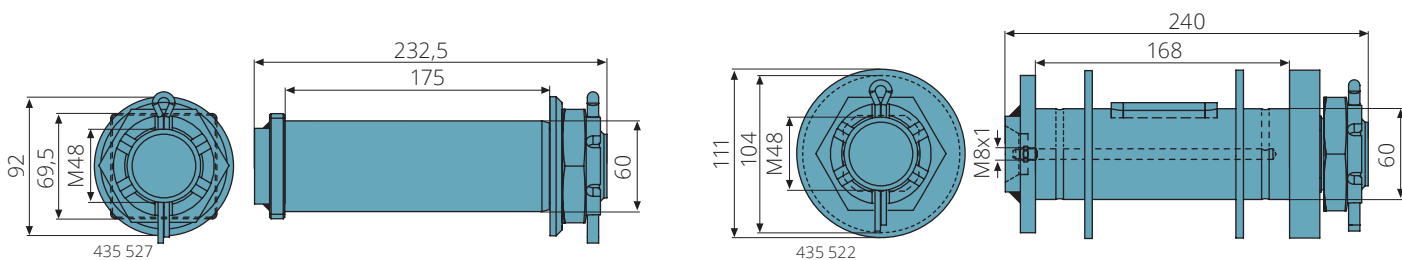


Article no.	Product	Description
434 140	Grab tip	153x127mm, manganese steel

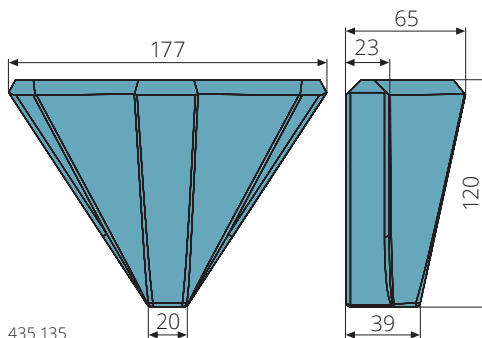
Type TEREX-FUCHS



Article no.	Product	Description
435 540	Bolt	40x152mm, upper cylinder bolt, with cotter pin, induction hardened
435 542	Bolt	40x168mm, upper cylinder bolt, with spring pin, induction hardened
435 525	Bolt	40x168mm, upper cylinder bolt, with spring pin, induction hardened
435 520	Bolt	40x170mm, upper cylinder bolt, with washer, cotter pin & nut, induction hardened
435 541	Bolt	40x195mm, lower cylinder bolt, with spring pin
435 524	Bolt	40x196mm, lower cylinder bolt, with spring pin, induction hardened
435 521	Bolt	40x200mm, lower cylinder bolt, with washer & cotter pin, induction hardened

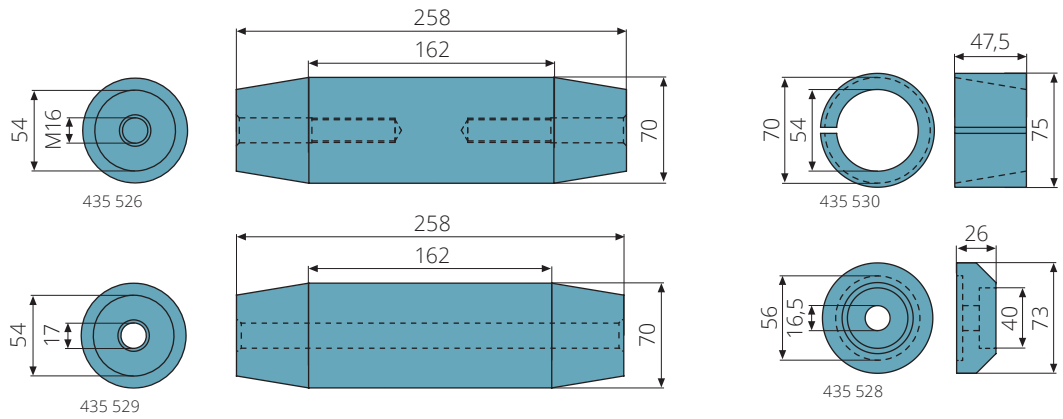


Article no.	Product	Description
435 527	Bolt	60x232,5mm, with nut, Cotter Pin & washer, induction hardened
435 522	Bolt	60x240mm, for grab arm, with washer, cotter pin & nut, induction hardened

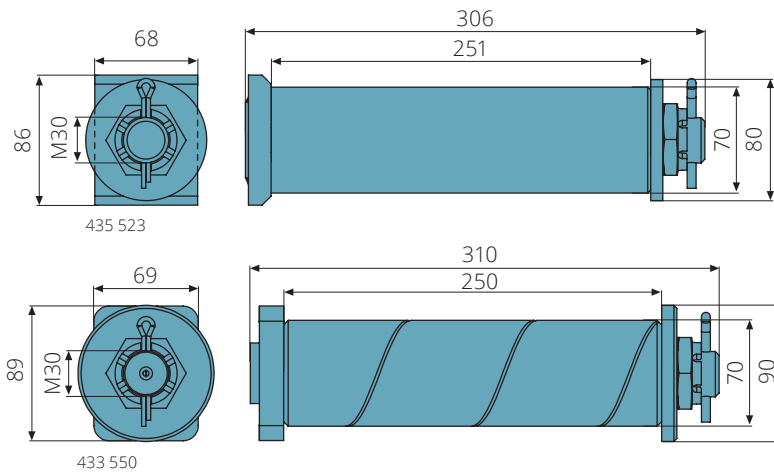


Article no.	Product	Description
435 135	Grab tip	177x120mm, manganese steel

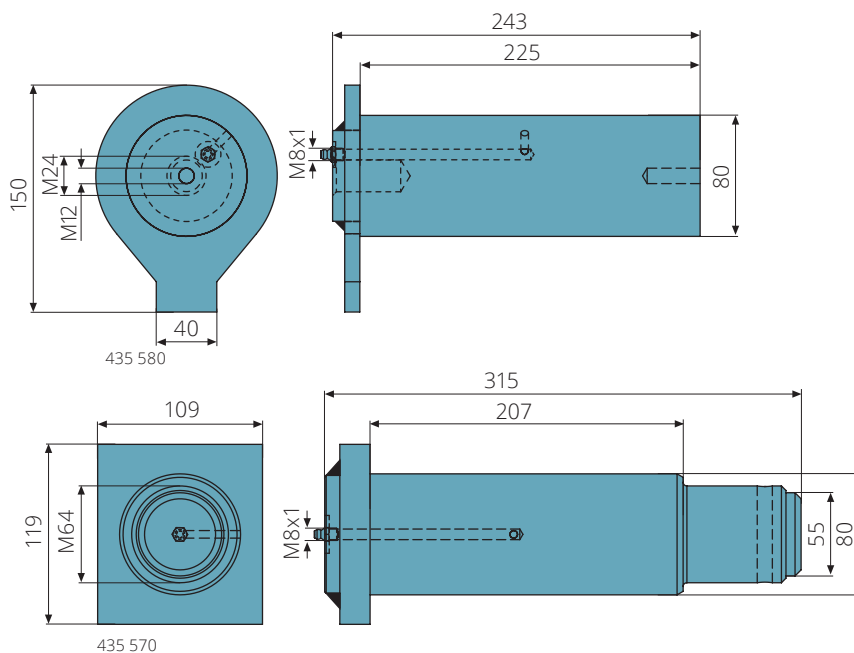
Type TEREX-FUCHS



Article no.	Product	Description
435 526	Bolt	70x258mm, for grab arm, induction hardened
435 529	Bolt	70x258mm, for grab arm, induction hardened, with bore
435 530	Clamp bushing	54/70x75x47,5mm, for bolts 435 526 /-529, 2 needed for one bolt, tapered
435 528	Washer	16,5/56-73-26mm, for bolts 435 526 /-529, 2 needed for one bolt

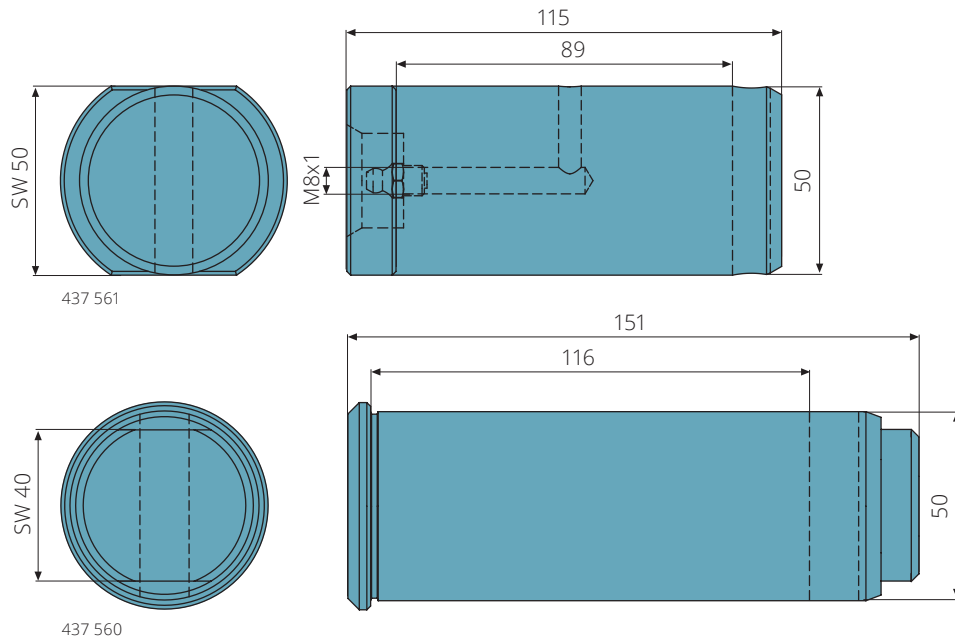


Article no.	Product	Description
435 523	Bolt	70x306mm, for grab arm, with washer, cotter pin & nut, induction hardened
433 550	Bolt	70x310mm, for grab arm, with washer, cotter pin & nut, induction hardened

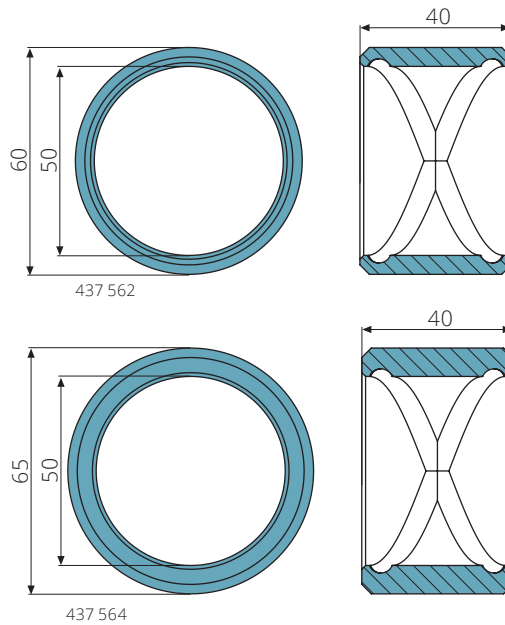


Article no.	Product	Description
435 580	Bolt	80x243mm, for lift & dipper stick cylinder, galvanized, induction hardened
435 570	Bolt	80x315mm, for lift & dipper stick cylinder, galvanized, induction hardened

Type TEREX-O&K

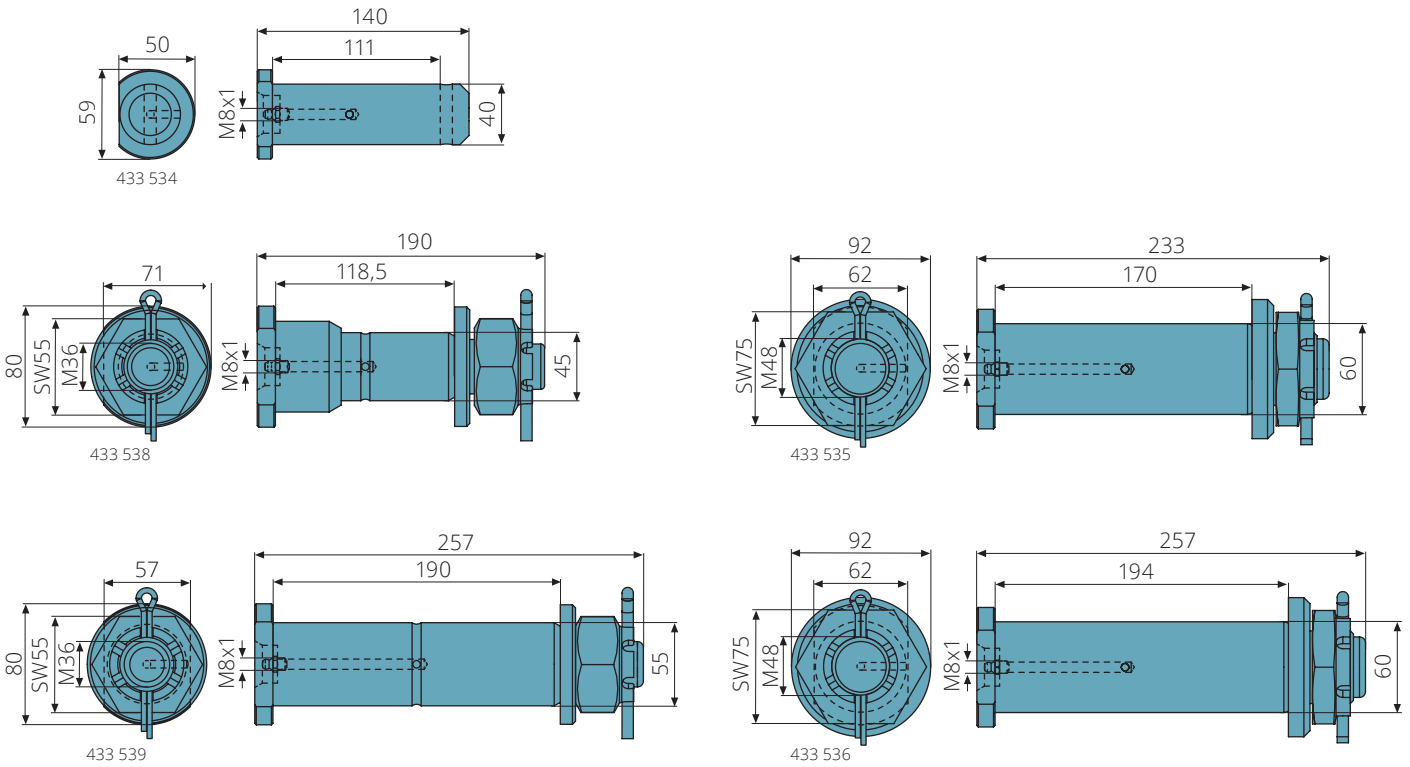


Article no.	Product	Description
437 561	Bolt	50x115mm, for KZA grab bucket & locking triangle without ejector, induction hardened
437 560	Bolt	50x151mm, for KZA grab bucket, induction hardened



Article no.	Product	Description
437 562	Bushing	50-60-40mm, for KZA grab bucket, steel, hardened
437 564	Bushing	50-65-40mm, for KZA grab bucket, oversized, steel, hardened

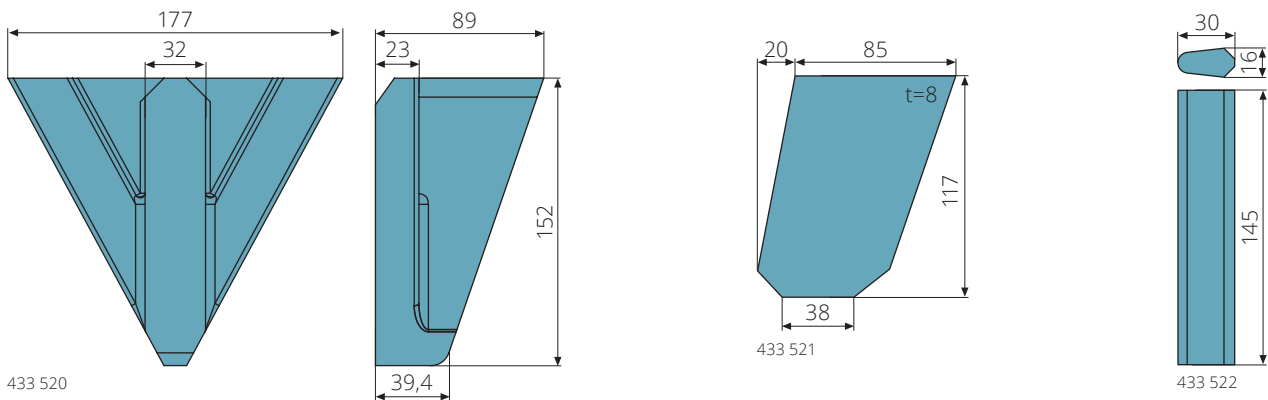
Type SBL



Article no.	Product	Description
433 534	Bolt	40x140mm, induction hardened, type SBL
433 538	Bolt	45x190mm, lower cylinder bolt, with washer, cotter pin & nut, induction hardened
433 539	Bolt	55x257mm, for grab arm, with washer, cotter pin & nut, induction hardened
433 535	Bolt	60x233mm, with washer, cotter pin & nut, induction hardened
433 536	Bolt	60x257mm, with washer, cotter pin & nut, induction hardened

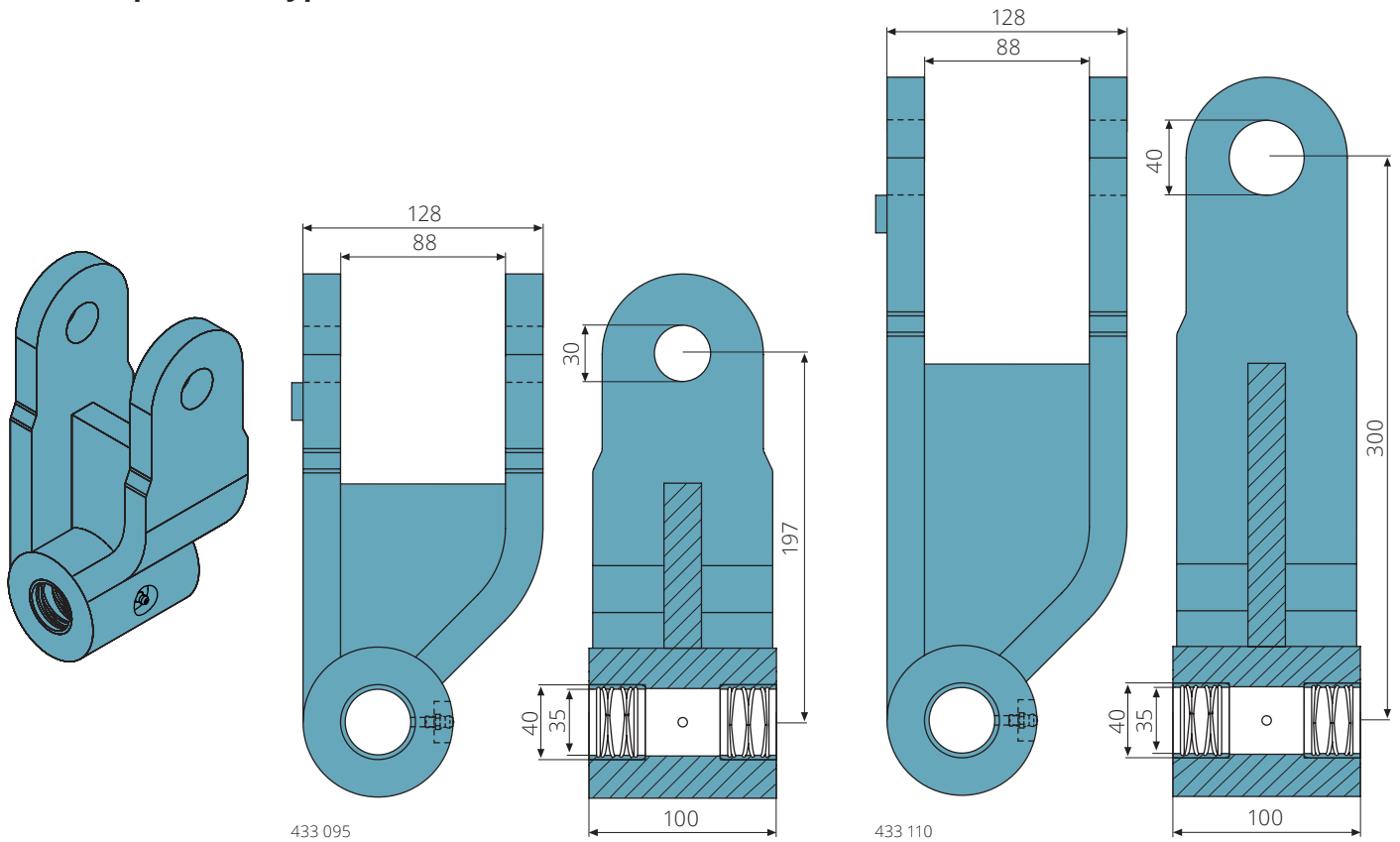


Article no.	Product	Description
433 502	Bushing	45-60-42,5mm, for bolt 433 538, hardened
433 501	Bushing	55-68-61mm, pivot bearing for grab bucket, steel, hardened



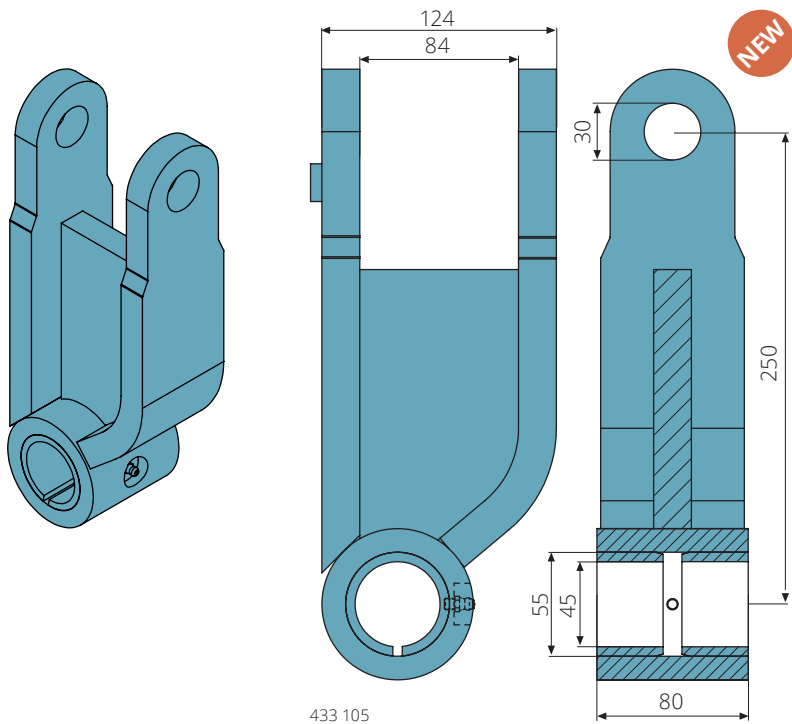
Article no.	Product	Description
433 520	Grab tip	177x152mm, manganese steel
433 521	Repair plate for grab tip	105x117mm, HARDOX 400
433 522	Repair bar for grab tip	30x145mm, HARDOX 400

Grab suspensions Type PENZ



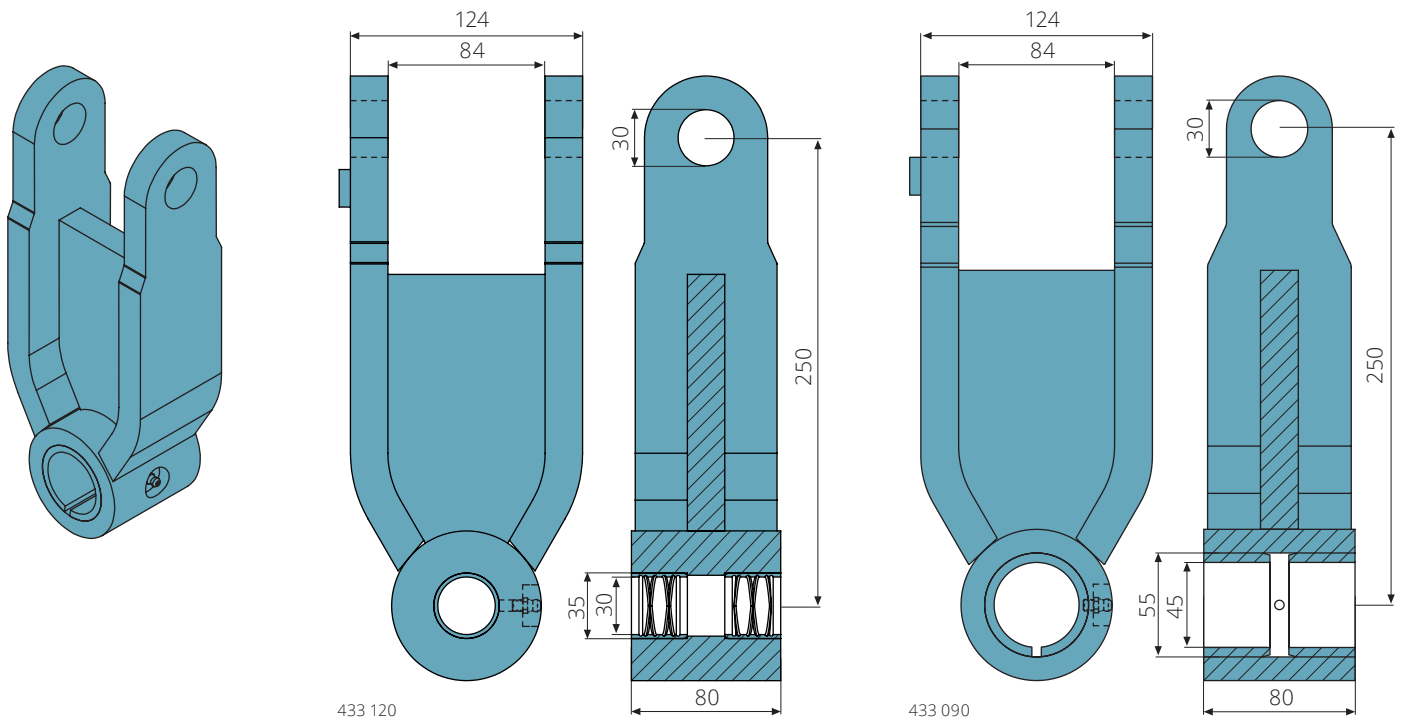
Article no.	Product	Description
433 095	Grab suspension	top d=30mm/bottom d=35mm, for 4 t loading grapple
433 110	Grab suspension	top d=40mm/bottom d=35mm, for 6 t loading grapple

Grab suspensions Type KINSHOFER

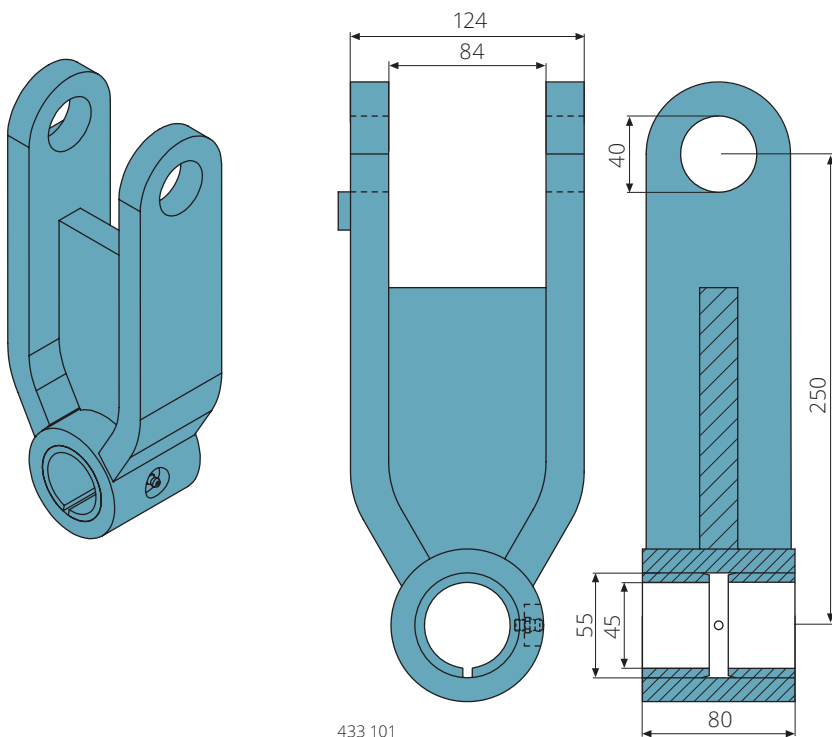


Article no.	Product	Description
433 105	Grab suspension	top d=30mm/bottom d=45mm, for 6 t loading grapple

Grab suspensions Type KINSHOFER / HIAB / LOCKLIFT / JOHNSERED

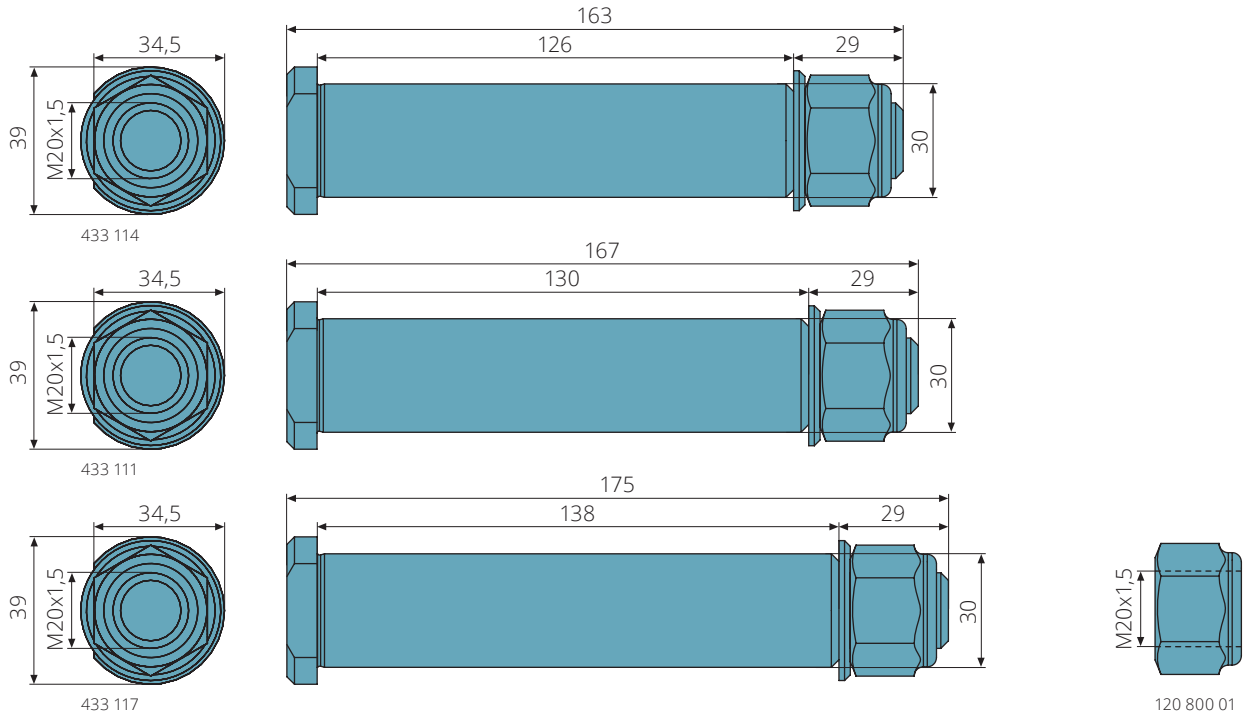


Article no.	Product	Description
433 120	Grab suspension	top d=30mm/bottom d=30mm, for 4 t loading grapple
433 090	Grab suspension	top d=30mm/bottom d=45mm, for 4 t loading grapple

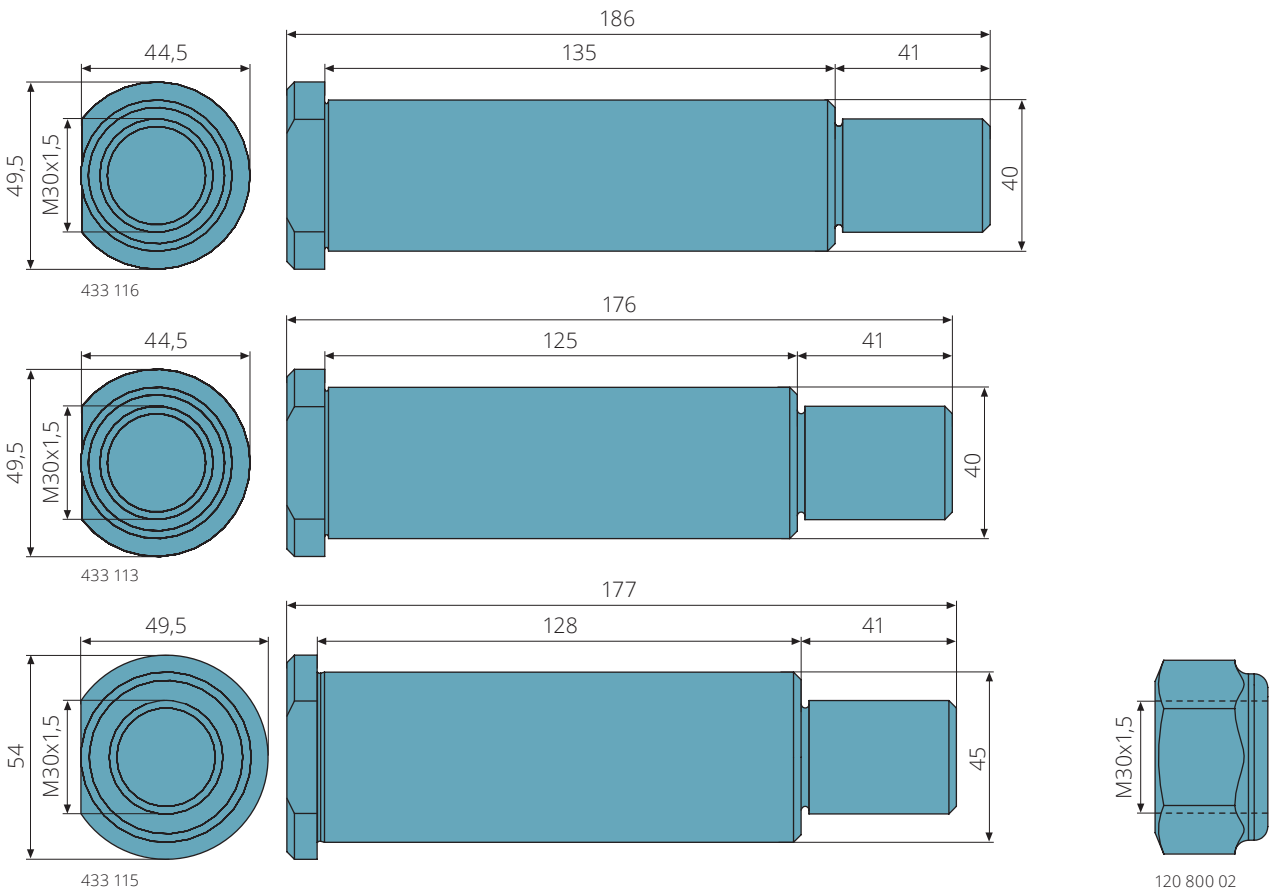


Article no.	Product	Description
433 101	Grab suspension	top d=40mm/bottom d=45mm, for 6 t loading grapple

Bolts for grab suspensions

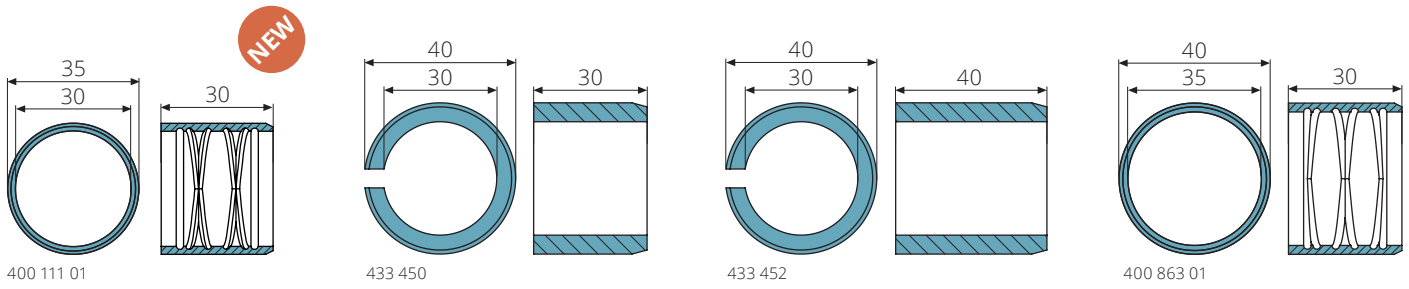


Article no.	Product	Description
433 114	Bolt	30x163mm, top, for 433 120 /-090, with nut & washer, hardened
433 111	Bolt	30x167mm, top, for 433 095, with nut & washer, hardened
433 117	Bolt	30x175mm, bottom, for 433 120, with nut & washer, hardened
120 800 01	Nut	M20x1,5mm, galvanized, self-locking, DIN 985

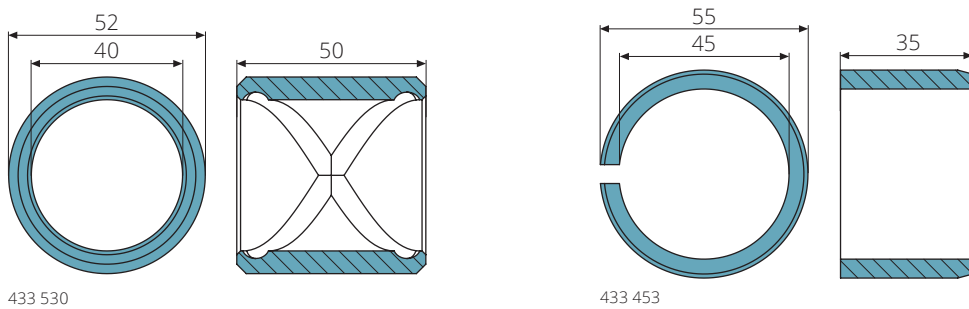


Article no.	Product	Description
433 116	Bolt	40x186mm, hardened
433 113	Bolt	40x176mm, top, for 433 101, hardened
433 115	Bolt	45x177mm, bottom, for 433 101 /-090, hardened
120 800 02	Nut	M30x1,5mm, galvanized, self-locking, DIN 985

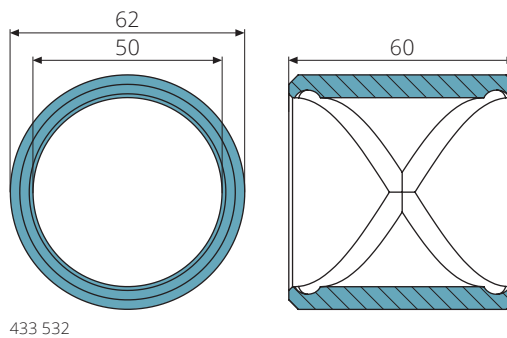
Bushings for grab suspensions



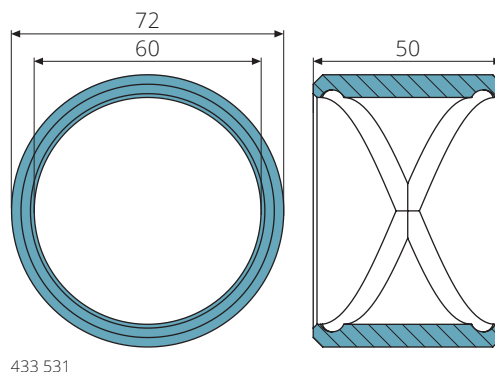
Article no.	Product	Description
400 111 01	Brass bushing	30(+0,75)-35-30mm
433 450	Clamp bushing	30-40-30mm, for grab attachment 433 120
433 452	Clamp bushing	30-40-40mm
400 863 01	Brass bushing	35(+0,75)-40-30mm



Article no.	Product	Description
433 530	Bushing	40-52-50mm
433 453	Clamp bushing	45-55-35mm, for grab attachment 433 090 /-101

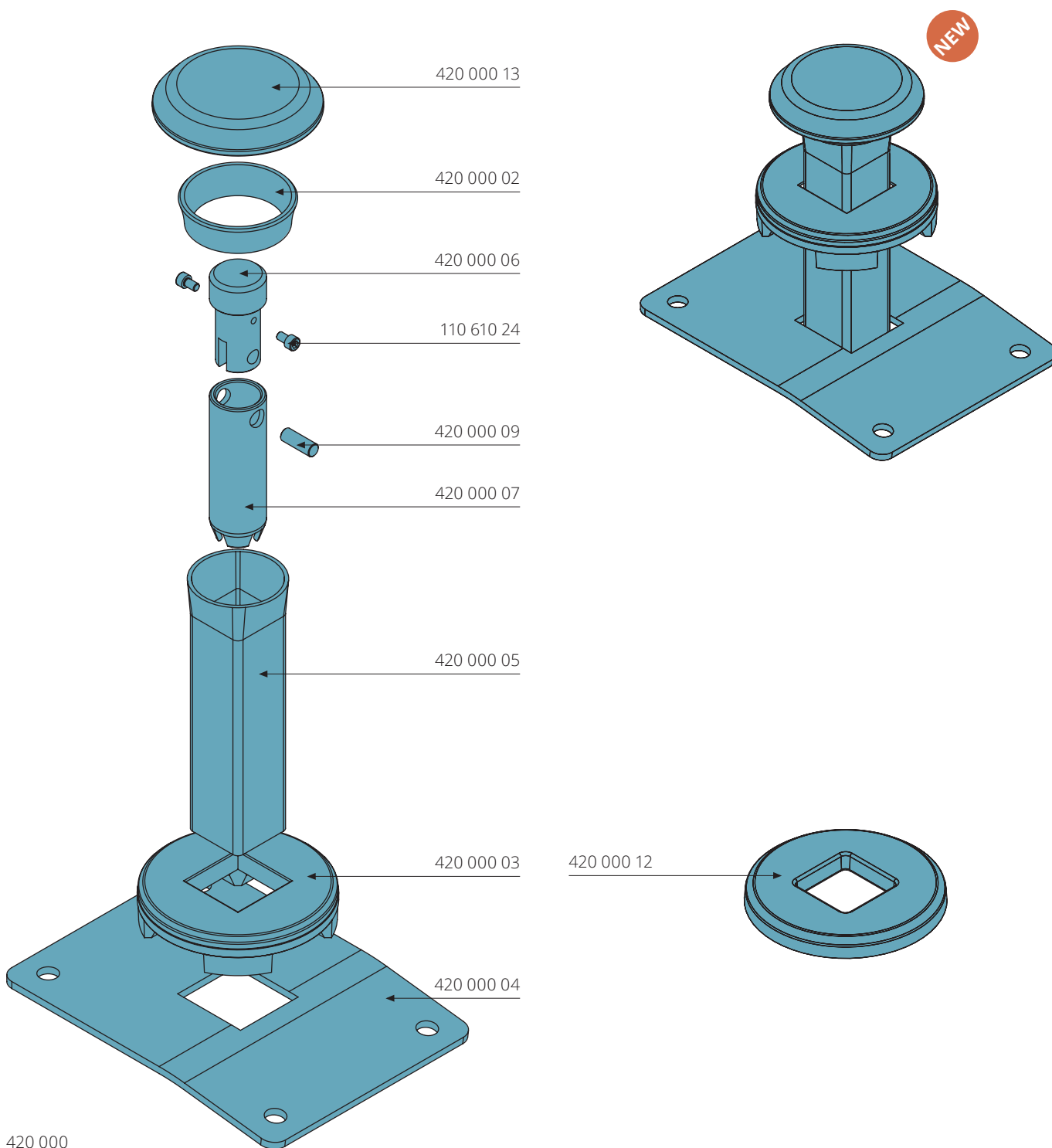


Article no.	Product	Description
433 532	Bushing	50-62-60mm



Article no.	Product	Description
433 531	Bushing	60-72-50mm

Lifting plug for underfloor containers



420 000

Article no.	Product	Description
420 000	Lifting plug for grab complete	
420 000 13	Cap	120x20mm, forged
420 000 02	Ring	65/75-74/84-23mm
420 000 06	Bolt	40x75mm
110 610 24	Cylinder head bolt	M6x10mm, galvanized, ISO 4762, 8.8
420 000 09	Cylinder pin	10x30mm
420 000 07	Pipe	40x130mm
420 000 05	Square pipe	50x50x240mm
420 000 03	Detent ring	141x32mm, forged
420 000 04	Mounting plate	200x271x6mm
Article no.	Product	Description
420 000 12	Washer	141x15mm, forged

Custom order form


Office Richard-Wagner-Straße 51
 10585 Berlin | Germany
 Phone +49 (0)30 2000 578 80
 E-mail vertrieb@rewald.eu
 Internet www.rewald.eu

We are happy to accept special requests. We ask for as much information as possible so that we can make an offer.

If available, you can also send us the following by e-mail or post:

- detailed photos
- technical drawings, 3D models, detailed sketches
- sample parts
- reference to similar Rewald articles

Contact Person	
Address	
Phone	
E-mail	
Rewald Customer no.	

Product	
Material	
OEM no.	
Manufacturer	
Amount	
Sketch	
	

Lifting plug for underfloor containers / Custom order form

General terms & conditions REWALD GmbH

1. The customer declares himself in agreement with our standard terms and conditions when placing an order. Failure of the customer to reveal any particular terms of business on their side does not in any way imply our consent to them. In particular, the delivery or provision of services does not constitute implied acceptance of the customer's terms and conditions. Alterations, supplementary agreements and additions to the Standard Terms of Business require our written confirmation.

2. All offers are subject to change and are non-binding. All documents relating to these offers, including figures, drawings, weights or dimensions and including any other technical information and references to technical standards and designs merely indicate the object of the agreement and are subject to written confirmation of technical properties. All prices are quoted for deliveries ex-factory including loading in factory and excluding standard packaging and VAT. Our offers are based on the latest technical developments, the relevant accident prevention regulations, safety regulations etc at the time of making the offer.

3. For content and scope of the contract our written confirmation of the order is definitive. Supplementary agreements, additions etc require our written confirmation.

4. We only accept prepayment. Our request minimum value is 50 €.

5. In the event that after closing of contract we become aware of circumstances which substantially bring the credit-worthiness of the customer into question, or if payment terms are not met, we are entitled to demand at our discretion payment in advance of any liabilities arising out of the business relationship or to ask for appropriate securities.

6. If circumstances arising out of our control, including but not limited to operational disturbances, strikes or lock-outs, freight disruption and any other unforeseeable shortages which occur with our suppliers, and which cause the failure or delay of consignments or services, we reserve the right to deliver at a later date or to withdraw wholly or partly from the contract without the customer having the right to claim damages. In the event of a delay in delivery or services the customer is entitled to withdraw from the contract after the expiry of a reasonably extended deadline of at least 2 weeks. Any withdrawal from contract must take place through written declaration.

7. All shipments are insured. A statement of any damages or shortages to the consignment must be drawn up immediately after receipt. Liability for the risk of accidental damage passes to the purchaser when the consignment is handed over to the freight carrier, but at the latest when the consignment leaves the warehouse. Specific shipping instructions of the customer are only binding if agreed to in writing. Otherwise delivery will be made as we deem best and under exclusion of any liability for the choice of mode of shipment. Shipment takes place at the expense of the buyer. For orders within Germany with a minimum net value of 770 Euro freight delivery will not be charged.

8. The following conditions apply to our warranty and liability for defects in delivery or service, including incorrect delivery or performance: any claims must be made in writing within one week of receipt of goods or services. In the event of justified complaint, excluding the absence of guaranteed qualities, we reserve the right to remedy the defective delivery or service within a reasonable space of time. Where applicable, we may recall the defective goods and supply a replacement; we will not assume responsibility for the costs of assembly, disassembly, or installation. The customer is obliged to allow us the opportunity for rectification during normal working hours by prior agreement.

9. We retain title to all goods supplied pending full and complete payment and until all present and future claims arising out of the business relationship have been met. If the customer acquires sole or shared ownership on the basis of the joining, combining, mixing or processing of our consignment (with other consignments) then we shall have ownership to the ratio of the value of our consignment in relation to the other goods with which it is joined, combined or mixed. Any treatment or processing is covered according to Paragraph 950 BGB without any obligation on our part. Furthermore is any resale prohibited.

10. Only goods specifically listed on the delivery note can be returned. Goods which have been damaged are non-returnable. The cost and risks of return freighting of the returned goods will be borne by the customer. Returned goods will be refunded less a deduction of 20% of the purchase price.

11. The relinquishing of claims against the customer which are due to us in the business relationship is excluded.

12. We will only be liable for deliberate or gross negligence of our agents and senior management, or vicarious agents and assistants. Otherwise any claims for damages arising from fault during the contract negotiations, from actual breach of contract, arising out of a punishable act, or contractual rights (such as consultation or information about qualities, applications, service requirements etc) are ruled out. In particular we will only be liable for consultations for which a separate payment was agreed.

13. Place of dispatch for all shipments and payments is Berlin, Germany. Sole place of jurisdiction is Amtsgericht Berlin-Charlottenburg.

14. The contractual relationship is governed by German law. The application of the uniform law governing the international purchase of movable objects is excluded.

15. Should any of the above stated provisions be either fully or in part invalid, the validity of the remaining provisions of contract shall not in any way be affected.

Office Richard-Wagner-Straße 51 | 10585 Berlin | Germany

Warehouse Hafenstraße 1 | 16727 Velten | Germany

Phone +49 (0)30 2000 578 80

E-mail vertrieb@rewald.eu

Internet www.rewald.eu



Further Catalogs

