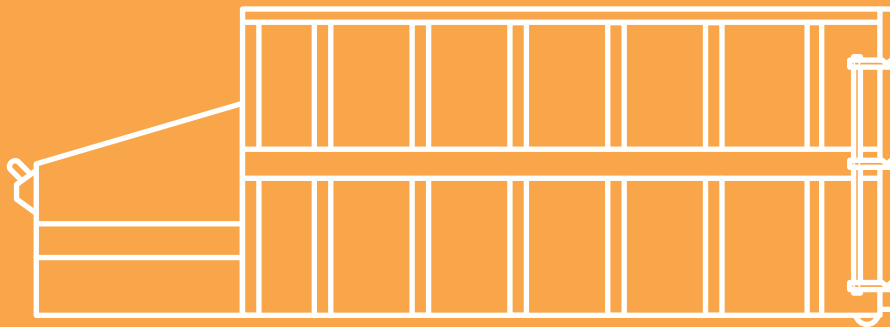
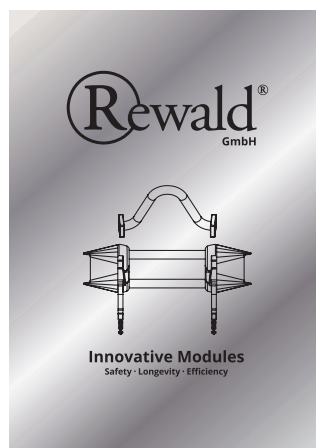


Rewald[®]
GmbH



**Components for
Compactors
Catalog 2023**

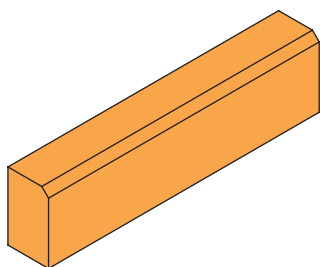
All Rewald Catalogs



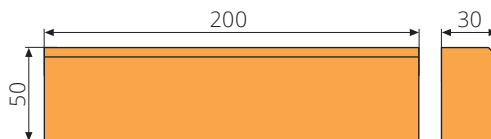
Contents

Type ALU-STAHl / Type ATRIK / Type AVERMANN	4 - 5
Type BACHMANN / Type BERINGER	6 - 8
Type HAGEMANN / Type HAUHINCO / Type HUSMANN / Type HÜFFERMANN	9 - 22
Type KLAUS / Type KNIERIM	23 - 24
Type L+M LUDDEN+MENNEKES / Type LMS	25 - 28
Type NAU	29
Type OTTO	30
Type RIES	31
Type TIEK / Type TOLLENSE	32 - 35
Type WAGNER / Type WERNER & WEBER	36 - 40
Door locking system / Ratchets / Clevises / Threaded eyes / Threaded rods	41 - 43
Tailgate locks / Accessories	44 - 45
Locks & Keys / Anti theft & Locking device for lifting bar / Repair sheets	46 - 47
Retaining sprocket & Scraper / Plastic sheet / Seals / Profiles for seals	48 - 49
Exchangeable lifting bars / Wear gauge / Radius gauge	50 - 51
Gas springs / Filter cartridges	52 - 53
Stickers	54 - 55
Shunting aids	56
Custom order form / Order form / General terms & conditions REWALD GmbH	57 - 59

Type ALU-STAHL



464 400



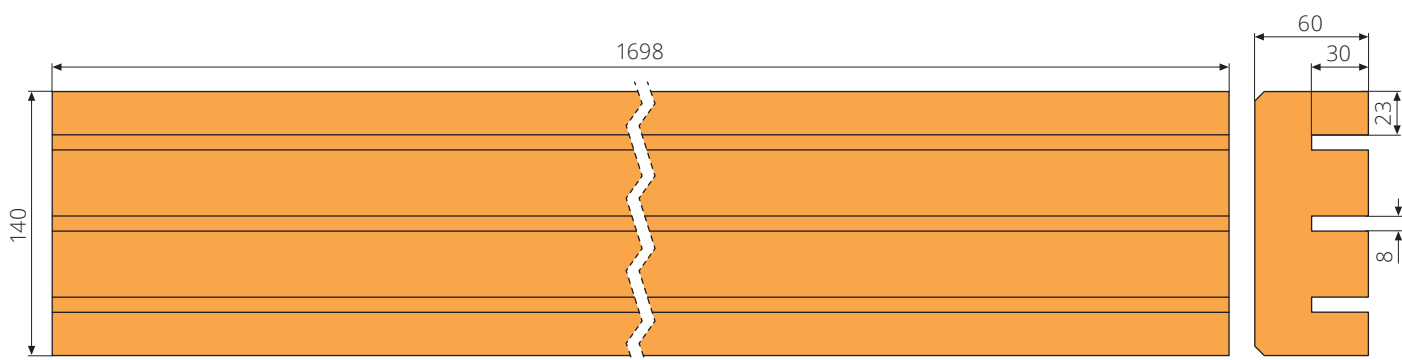
Article no.	Product	Description
464 400	Slide profile	200x30x50mm, plastic

Type ATRIK



469 701

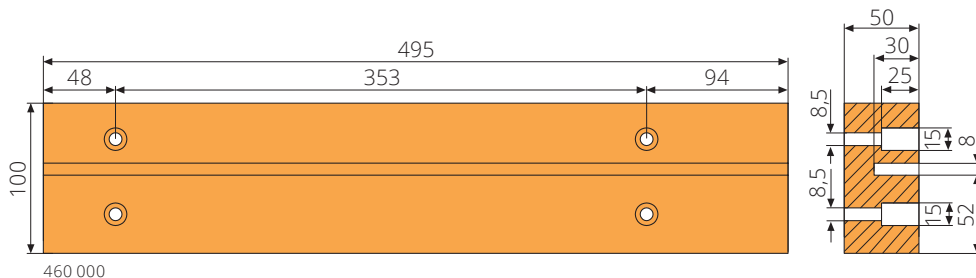
Article no.	Product	Description
469 701	Slide profile	495x70x48mm, plastic



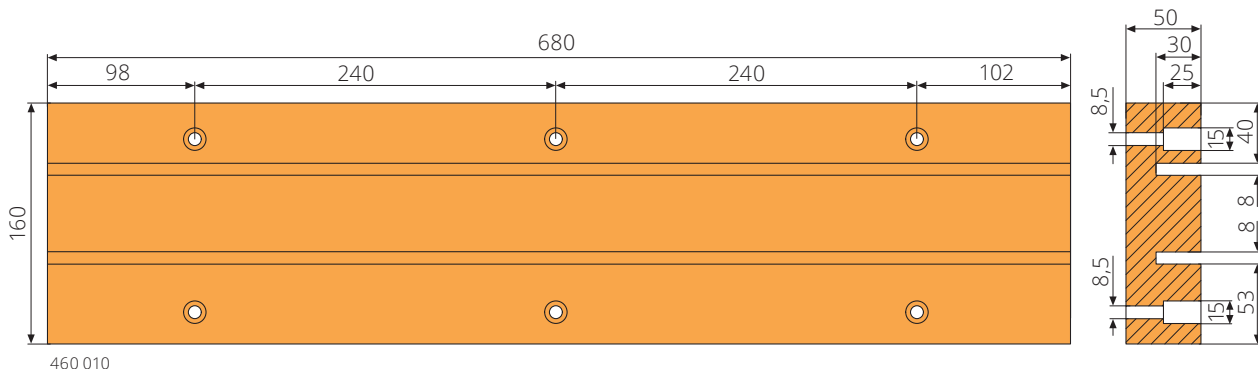
469 700

Article no.	Product	Description
469 700	Guide profile	1698x60x140mm, plastic

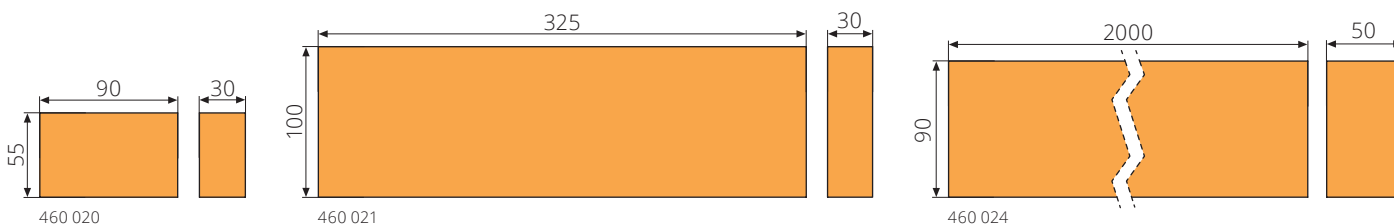
Type AVERMANN



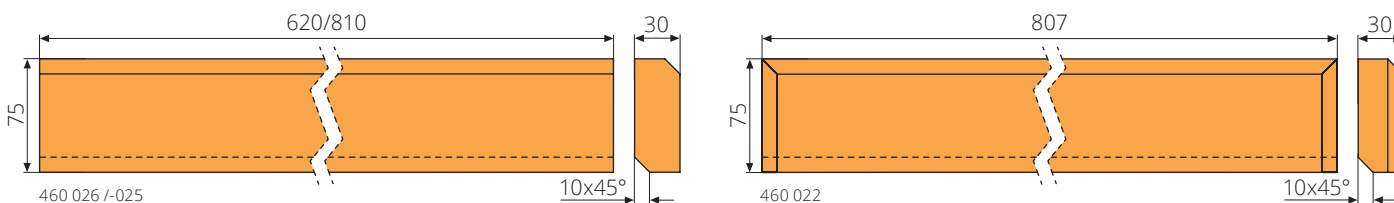
Article no.	Product	Description
460 000	Guide profile	495x100x50mm, left, plastic
460 005	Guide profile	495x100x50mm, right, plastic



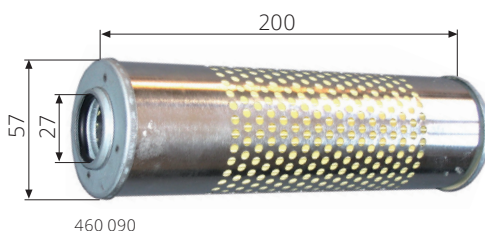
Article no.	Product	Description
460 010	Guide profile	680x160x50mm, left, plastic
460 015	Guide profile	680x160x50mm, right, plastic



Article no.	Product	Description
460 020	Slide profile	90x30x55mm, plastic
460 021	Slide profile	325x30x100mm, plastic
460 024	Slide profile	2000x50x90mm, plastic

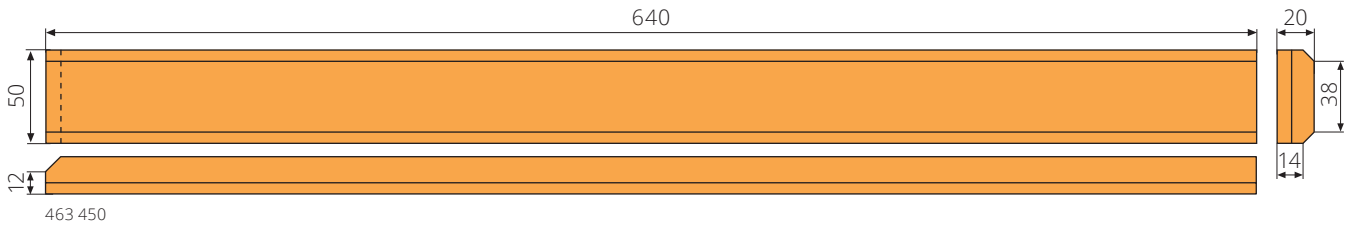
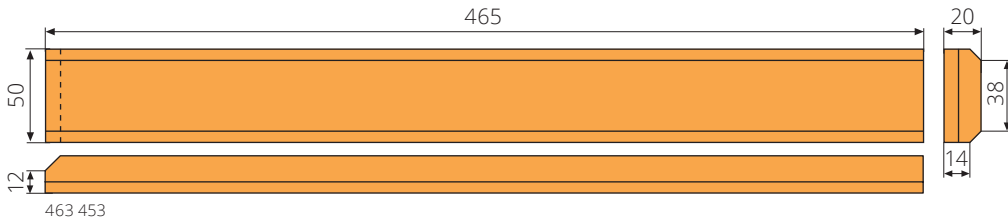


Article no.	Product	Description
460 026	Slide profile	620x30x75mm, plastic
460 025	Slide profile	810x30x75mm, plastic
460 022	Slide profile	807x75x30mm, plastic

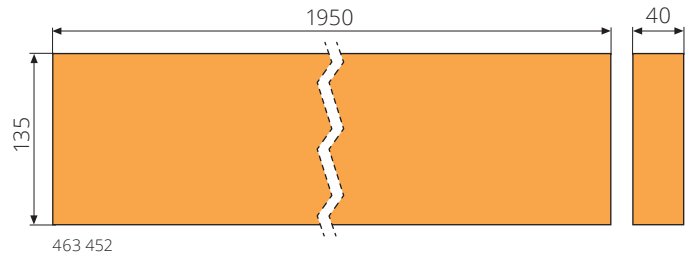
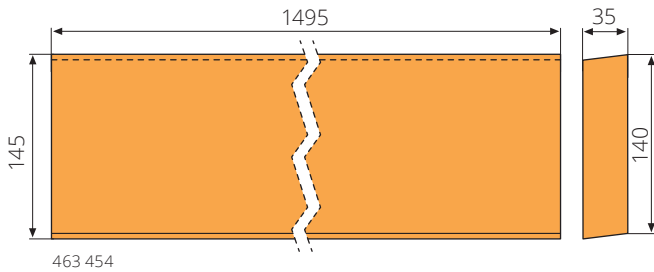


Article no.	Product	Description
460 090	Filter cartridge	27-57-200mm, 10 micron, paper

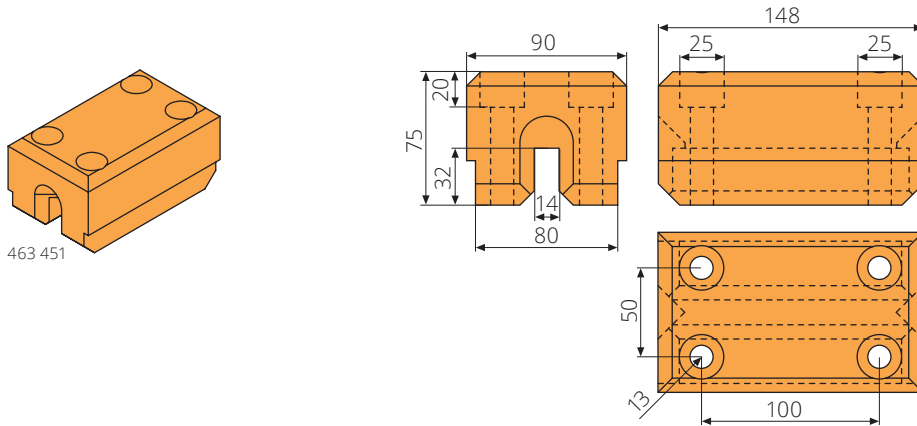
Type BACHMANN



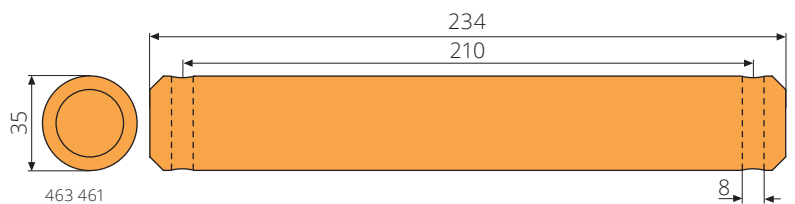
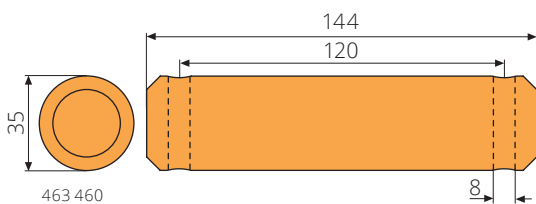
Article no.	Product	Description
463 453	Slide profile	465x20x50mm, for apron plate, plastic
463 450	Slide profile	640x20x50mm, for apron plate, plastic



Article no.	Product	Description
463 454	Slide profile	1495x35x145mm, for compaction plate, bottom, plastic
463 452	Slide profile	1950x40x135mm, for compaction plate, plastic



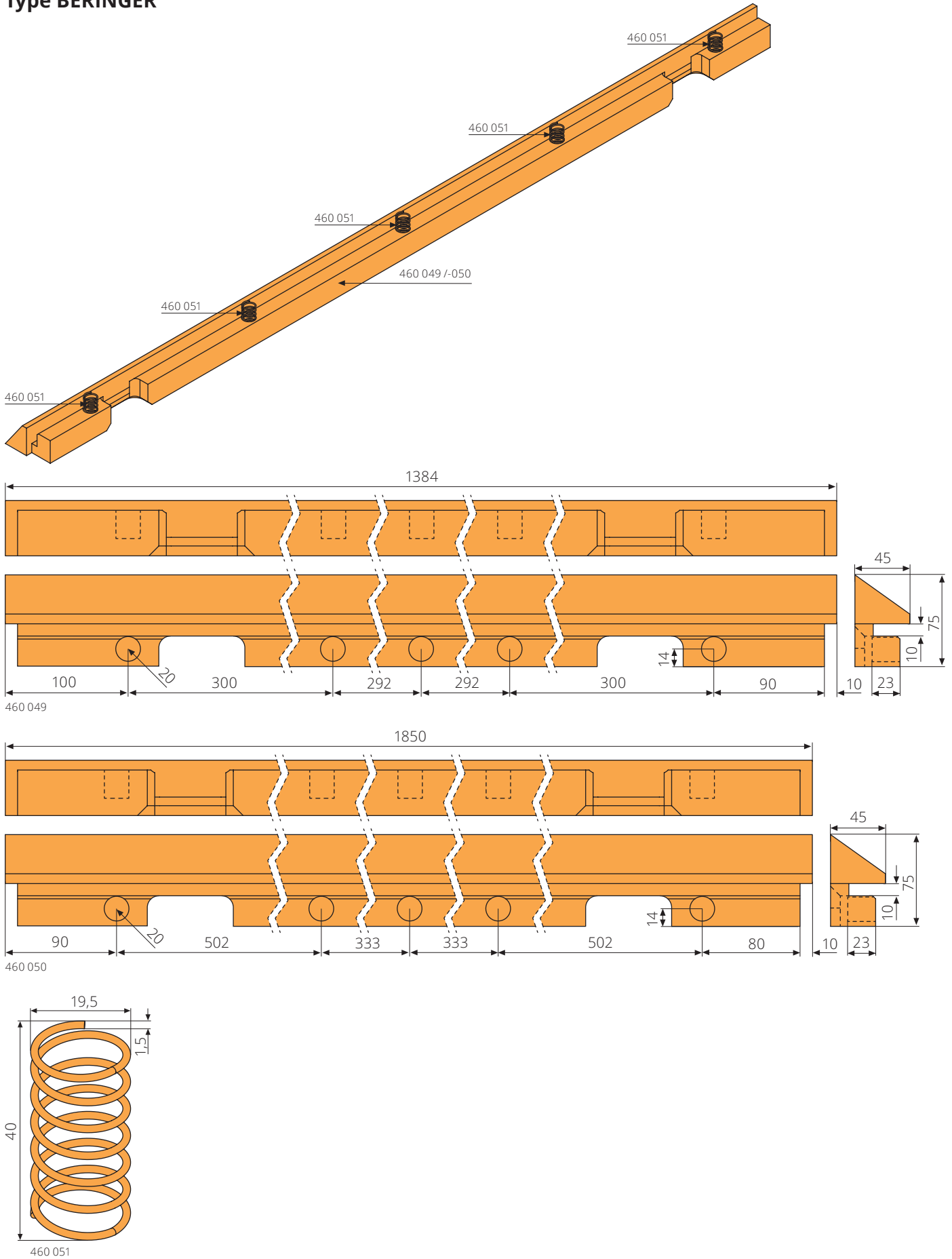
Article no.	Product	Description
463 451	Guide profile	148x75x90mm, for compaction plate, plastic



Article no.	Product	Description
463 460	Bolt	35x144mm, 42CrMo4, induction hardened
463 461	Bolt	35x234mm, 42CrMo4, induction hardened

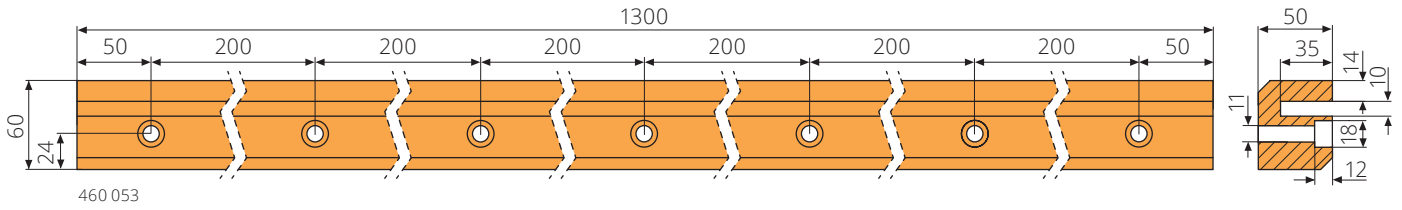
Type BERINGER

Type BACHMANN / Type BERINGER

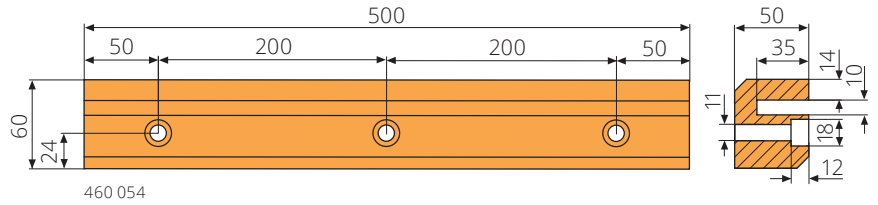


Article no.	Product	Description
460 049	Scraper	1384x45x75mm, plastic
460 050	Scraper	1850x45x75mm, plastic
460 051	Spring for guide profile	40x19,5mm, wire D=1,5mm, galvanized, 5 needed for one guide profile

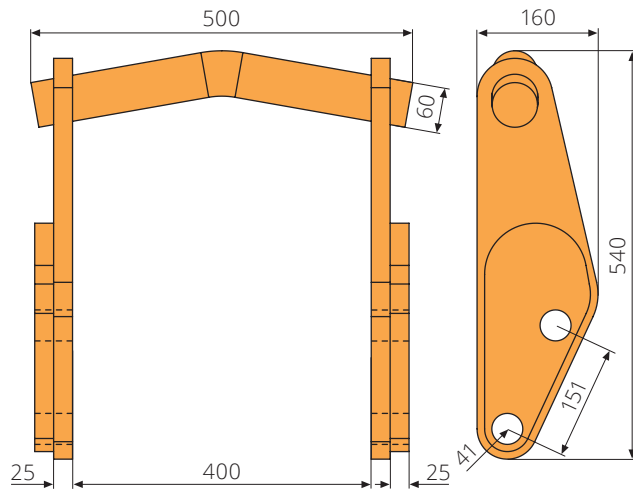
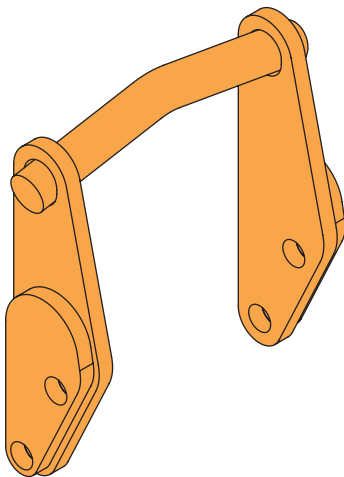
Type **BERINGER**



Article no.	Product	Description
460 053	Guide profile	1300x50x60mm, plastic, for X6



Article no.	Product	Description
460 054	Guide profile	500x50x60mm, plastic, for X6

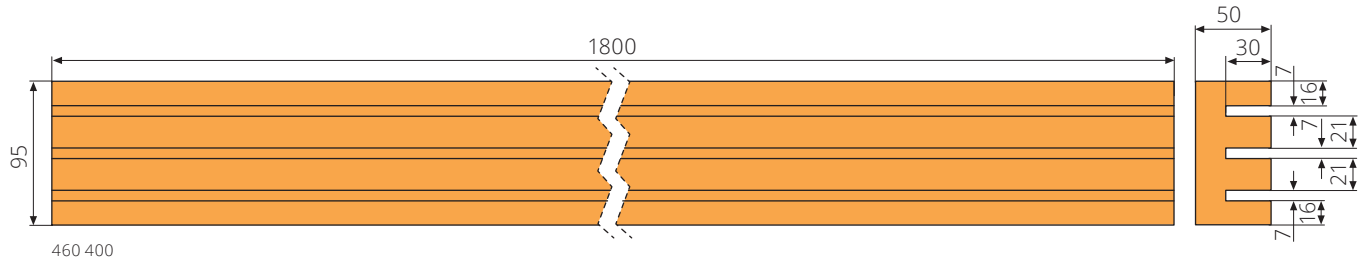


460 060

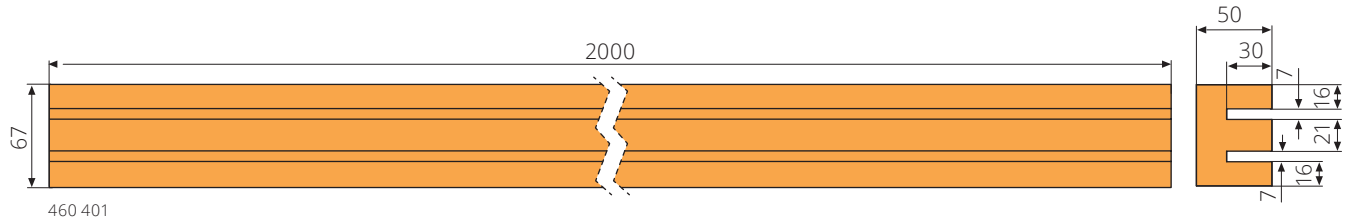
Article no.	Product	Description
460 060	Hinged lifting bar	60x500mm, S355J2+N

Type HAGEMANN

Type BERINGER / Type HAGEMANN

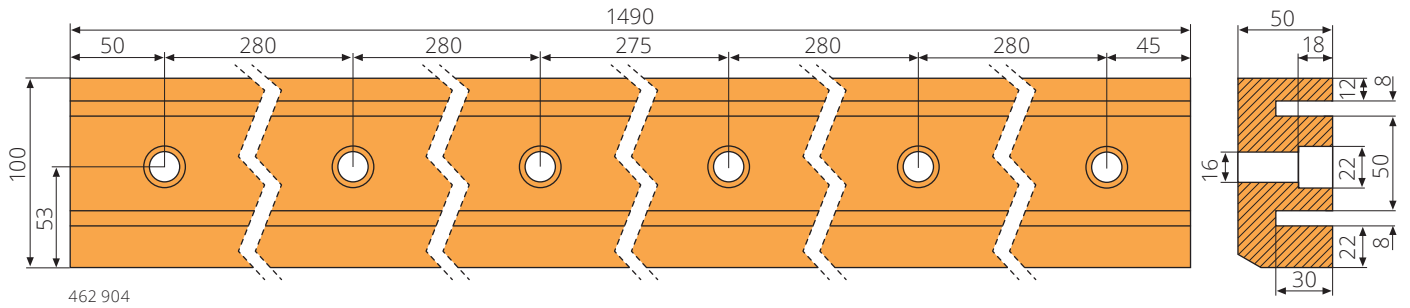


Article no.	Product	Description
460 400	Guide profile	1800x50x95mm, plastic, OEM 01.1822



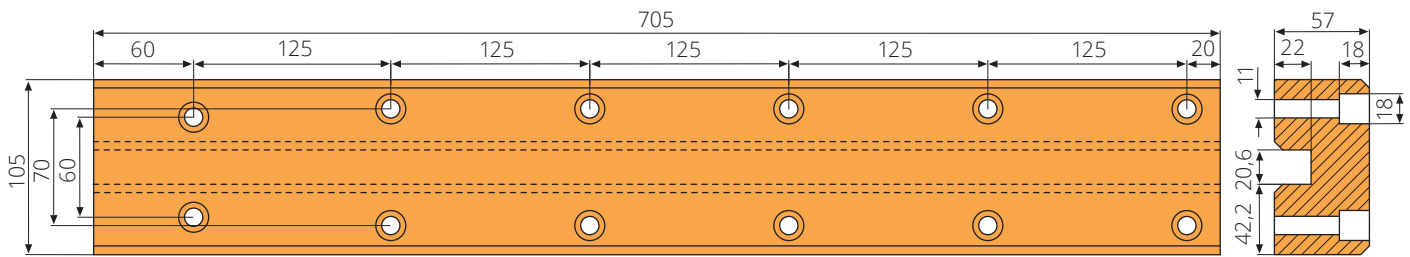
Article no.	Product	Description
460 401	Guide profile	2000x50x67mm, plastic, OEM 90.0475

Type HAUHINCO



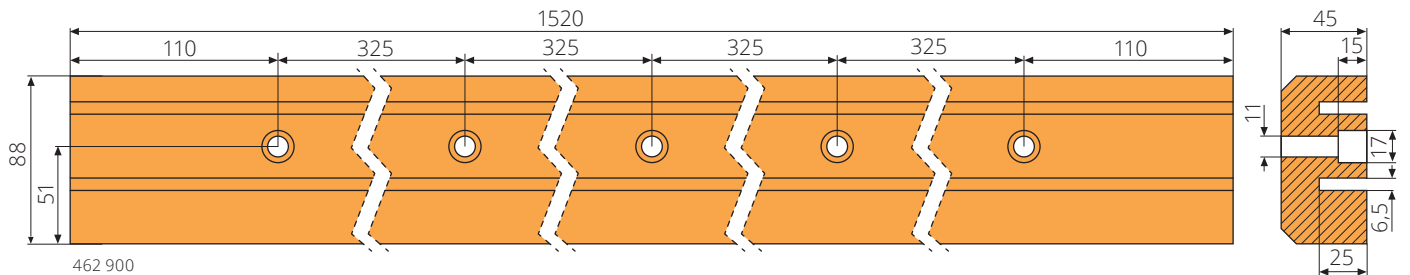
462 904

Article no.	Product	Description
462 904	Guide profile	1490x50x100mm, plastic



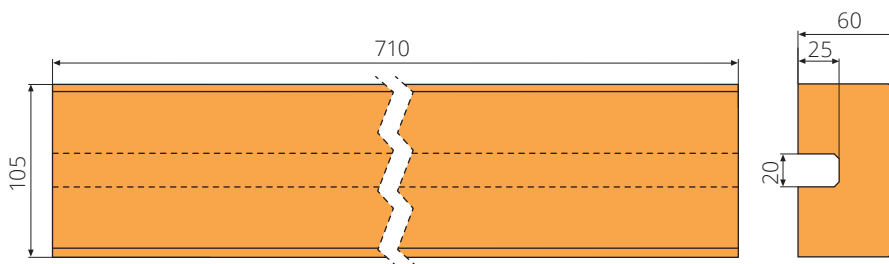
462 910

Article no.	Product	Description
462 910	Guide profile	705x57x105mm, plastic



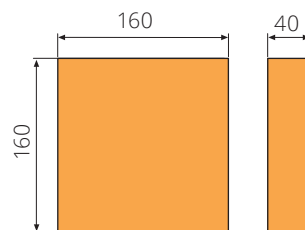
462 900

Article no.	Product	Description
462 900	Guide profile	1520x45x88mm, plastic



462 895

Article no.	Product	Description
462 895	Guide profile	710x60x105mm, plastic

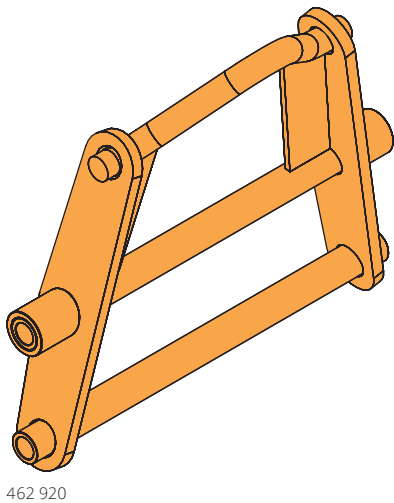


462 896

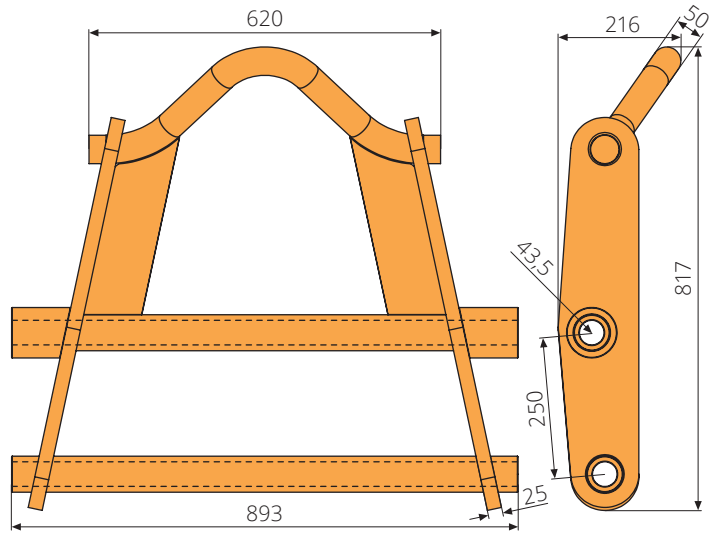
Article no.	Product	Description
462 896	Slide profile	160x160x40mm, plastic

Type HAUHINCO

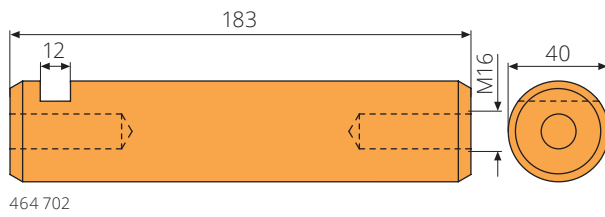
Type HAUHINCO



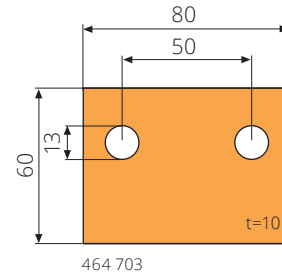
462 920



Article no.	Product	Description
462 920	Hinged lifting bar	50x893mm, S355J2+N

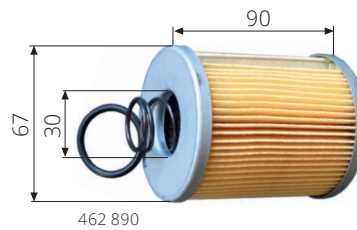


464 702



464 703

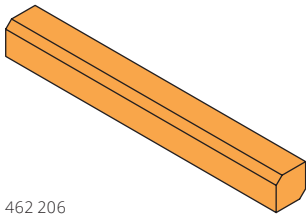
Article no.	Product	Description
464 702	Cylinder Bolt	40x183mm, 42CrMo4, hardened / TOLLENSE
464 703	Locking plate	80x60x10mm, S235JR / TOLLENSE



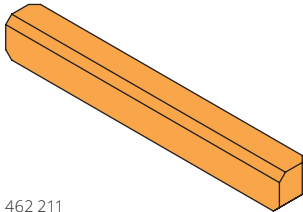
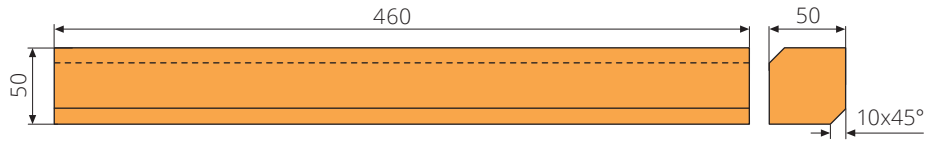
462 890

Article no.	Product	Description
462 890	Filter cartridge	30-67-90mm, 25 micron, paper

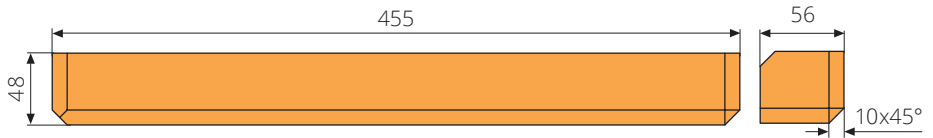
Type HUSMANN



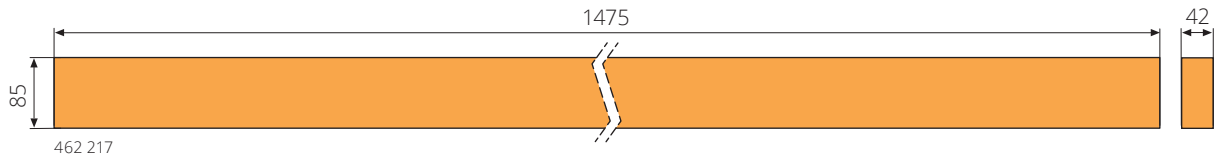
462 206



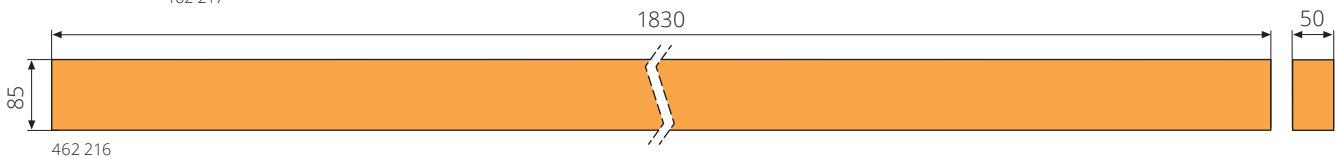
462 211



Article no.	Product	Description
462 206	Slide profile	460x50x50mm, plastic
462 211	Slide profile	455x56x48mm, plastic

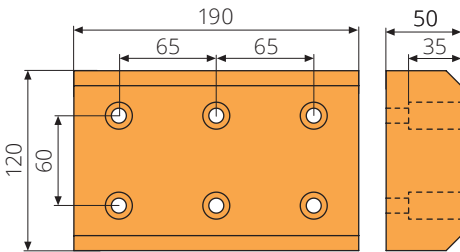


462 217

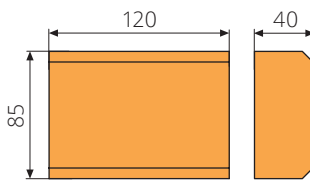


462 216

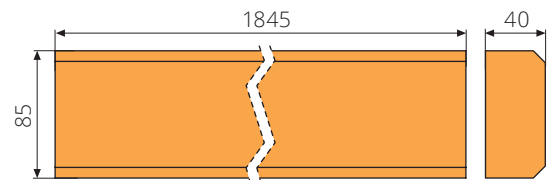
Article no.	Product	Description
462 217	Slide profile	1475x42x85mm, plastic, for compaction plate
462 216	Slide profile	1830x50x85mm, plastic



462 219

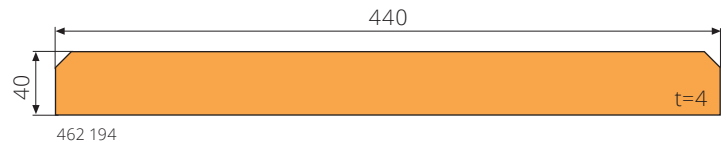


462 209

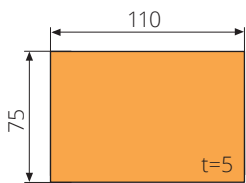


462 208

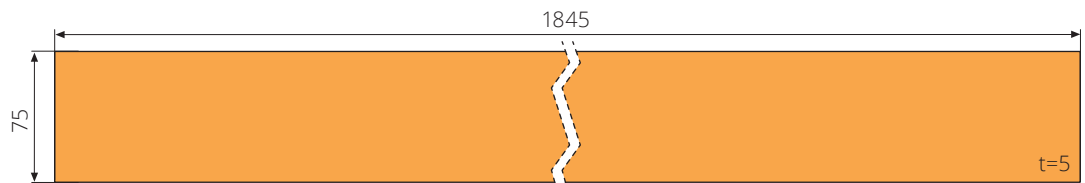
Article no.	Product	Description
462 219	Slide profile	190x120x50mm, plastic
462 209	Slide profile	120x85x40mm, plastic, SEN 20
462 208	Slide profile	1845x85x40mm, plastic, SEN 20



462 194



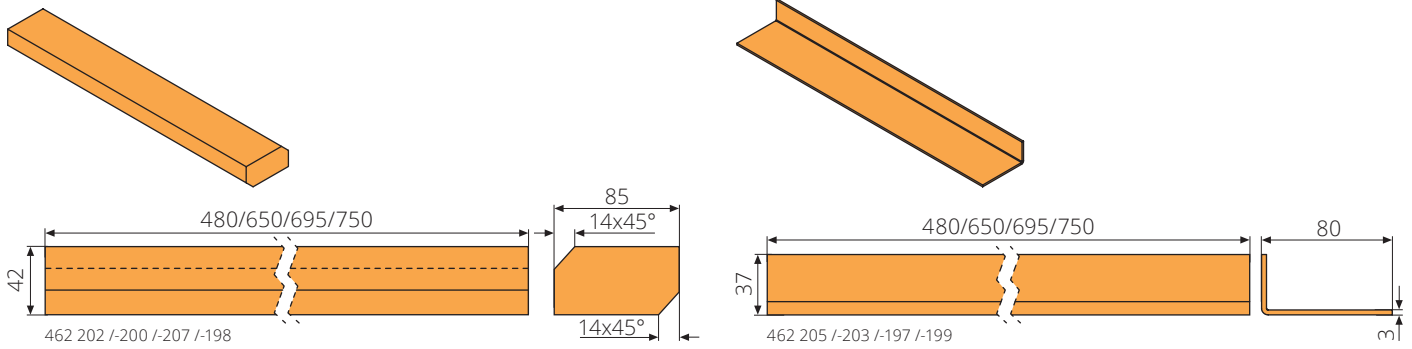
462 195



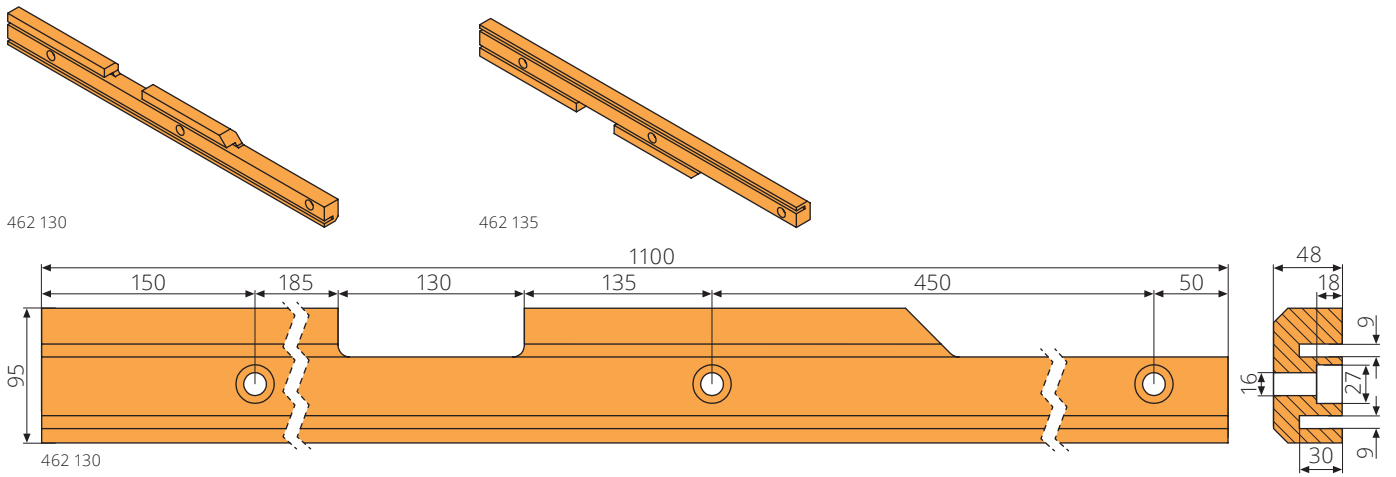
462 196

Article no.	Product	Description
462 194	Pressing plate	440x40x4mm, S355J2
462 195	Pressing plate	110x75x5mm, S355J2
462 196	Pressing plate	1845x75x5mm, S355J2

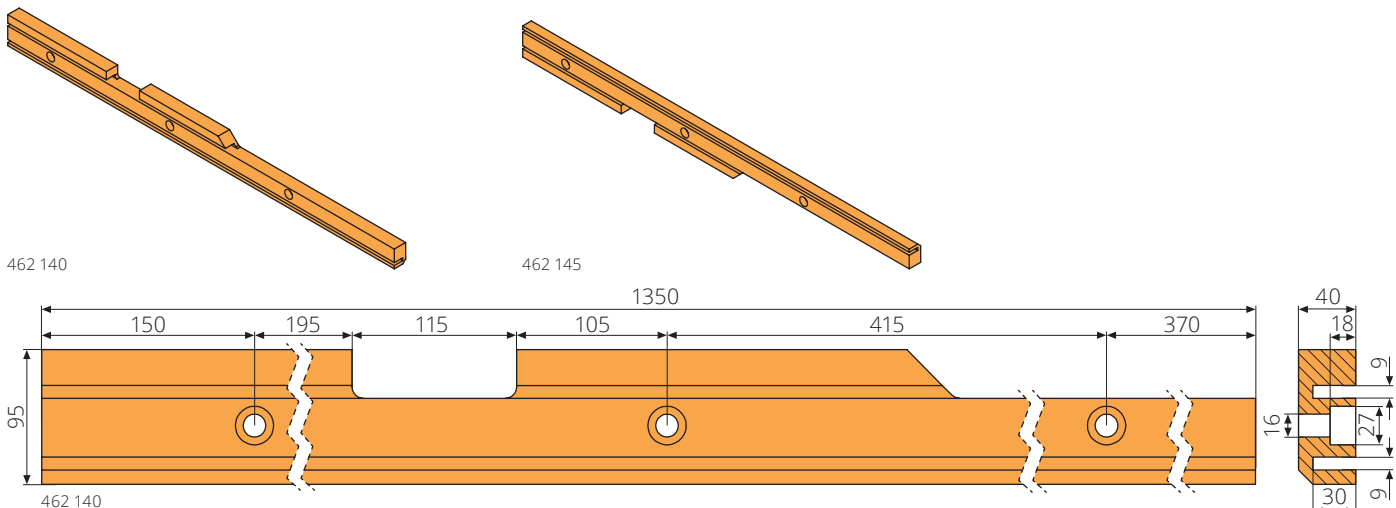
Type HUSMANN



Article no.	Product	Description
462 202	Slide profile	480x85x42mm, compaction plate, plastic
462 205	Angle profile	480x80x37mm, compaction plate, S355J2
462 200	Slide profile	650x85x42mm, compaction plate, plastic
462 203	Angle profile	650x80x37mm, compaction plate, S355J2
462 207	Slide profile	695x85x42mm, compaction plate, plastic
462 197	Angle profile	695x80x37mm, compaction plate, S355J2
462 198	Slide profile	750x85x42mm, compaction plate, plastic
462 199	Angle profile	750x80x37mm, compaction plate, S355J2

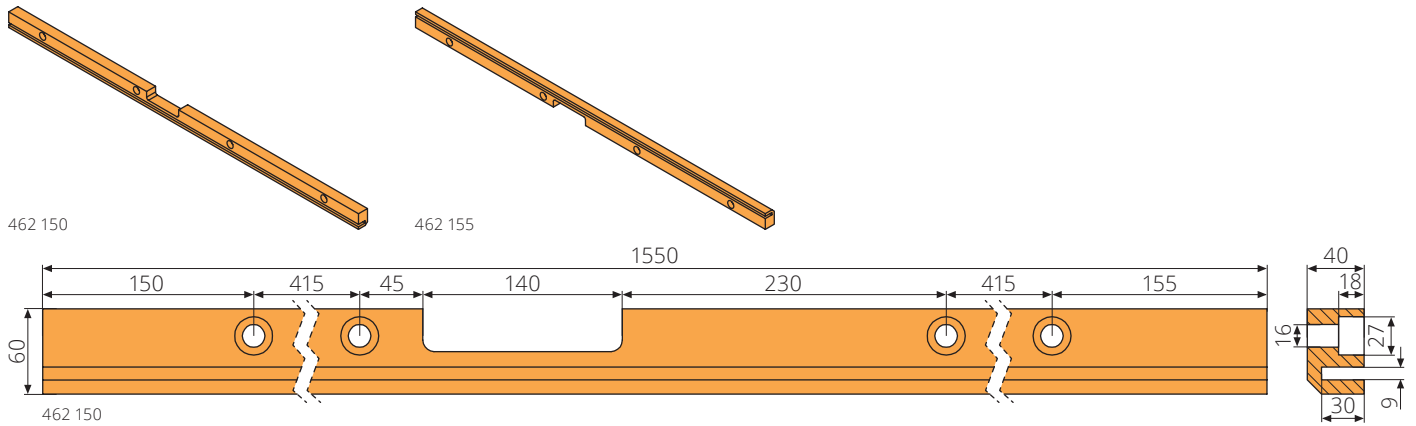


Article no.	Product	Description
462 130	Guide profile	1100x48x95mm, left, plastic
462 135	Guide profile	1100x48x95mm, right, plastic

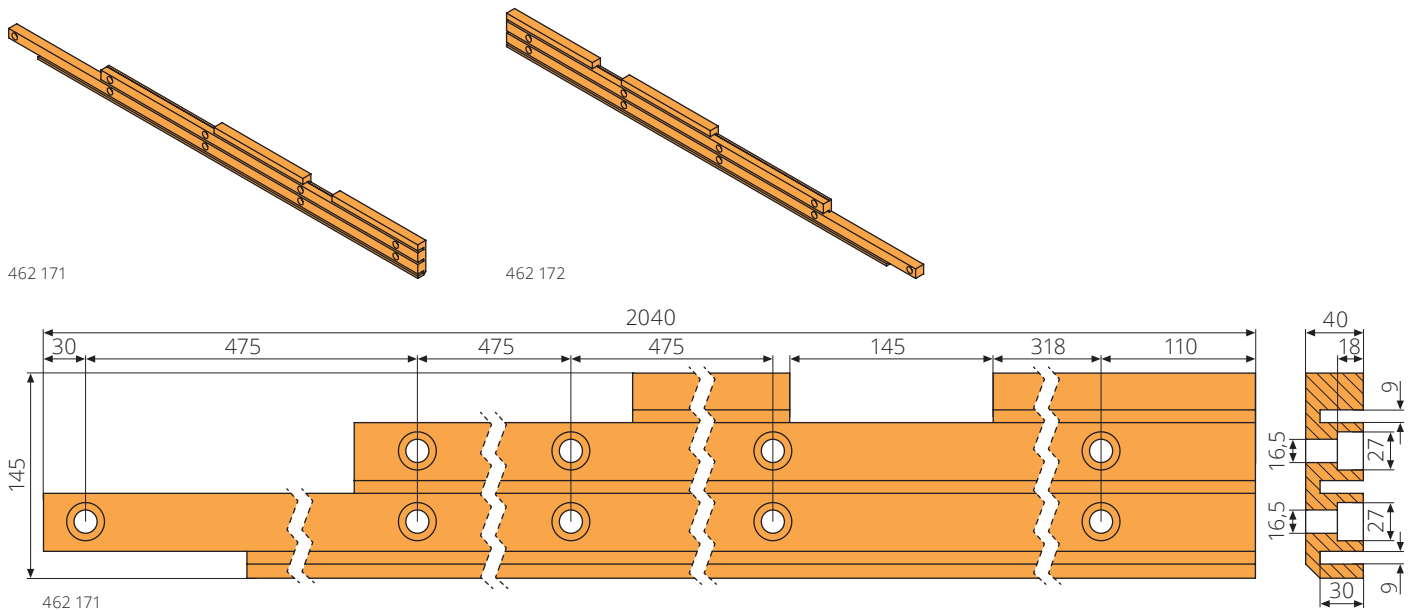


Article no.	Product	Description
462 140	Guide profile	1350x40x95mm, left, plastic
462 145	Guide profile	1350x40x95mm, right, plastic

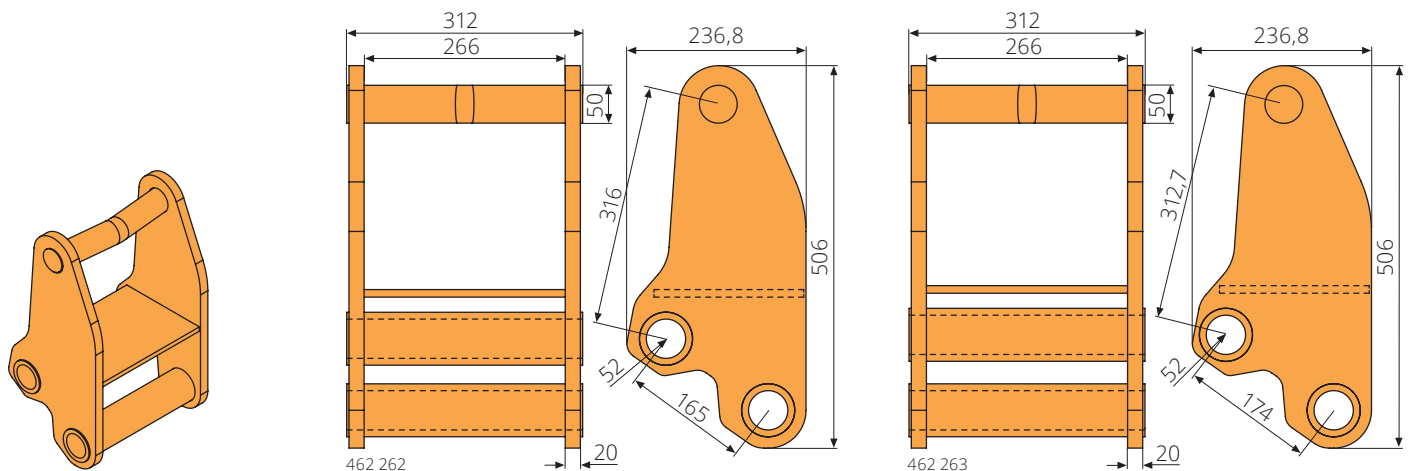
Type HUSMANN



Article no.	Product	Description
462 150	Guide profile	1550x40x60mm, left, plastic
462 155	Guide profile	1550x40x60mm, right, plastic



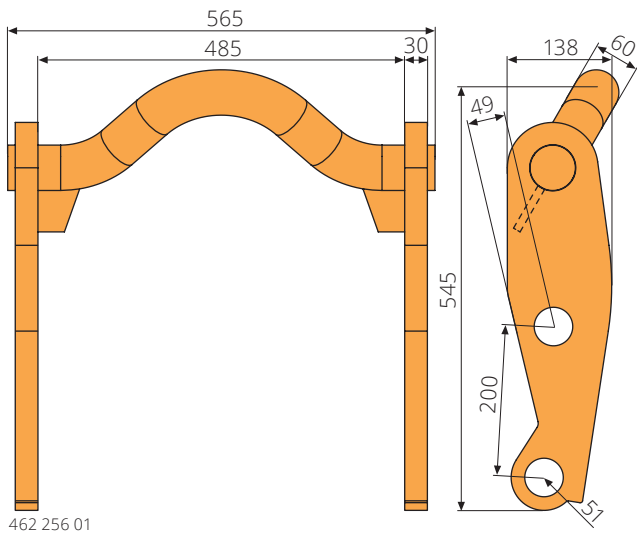
Article no.	Product	Description
462 171	Guide profile	2040x40x145mm, left, for apron plate, plastic
462 172	Guide profile	2040x40x145mm, right, for apron plate, plastic



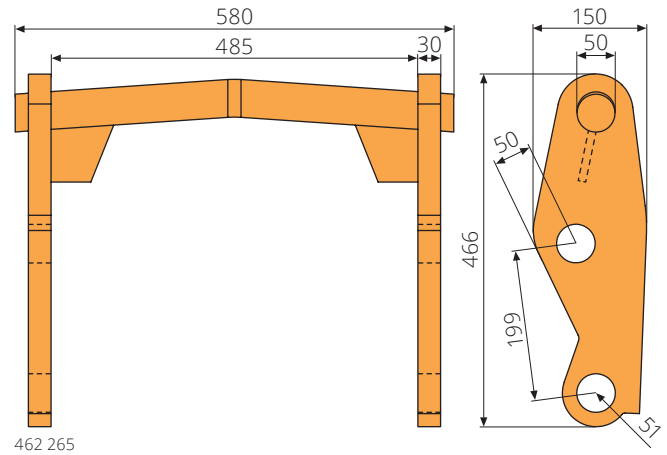
Article no.	Product	Description
462 262	Hinged lifting bar	50x312mm, S355J2+N, bore spacing 165mm
462 263	Hinged lifting bar	50x312mm, S355J2+N, bore spacing 174mm

Type HUSMANN

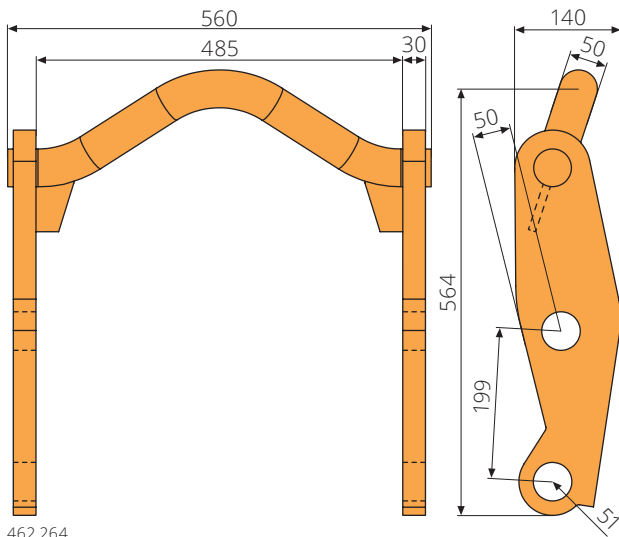
Type HUSMANN



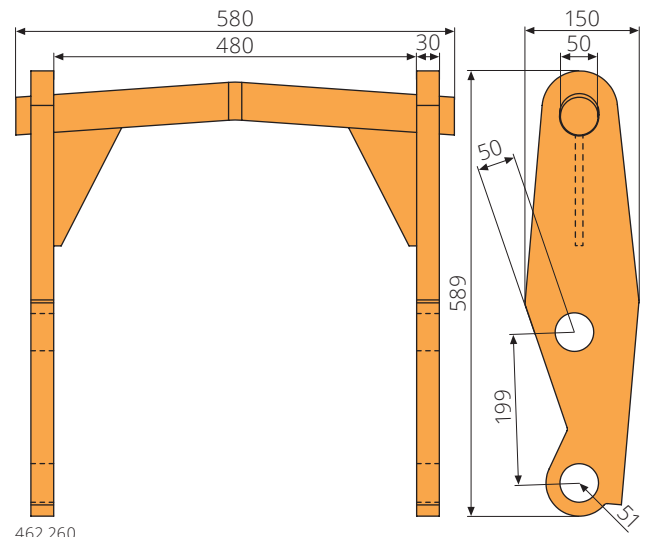
462 256 01



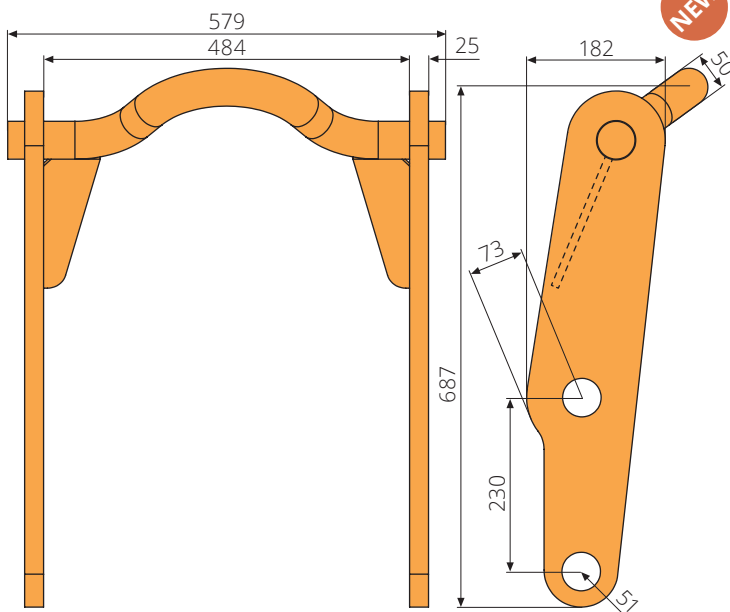
462 265



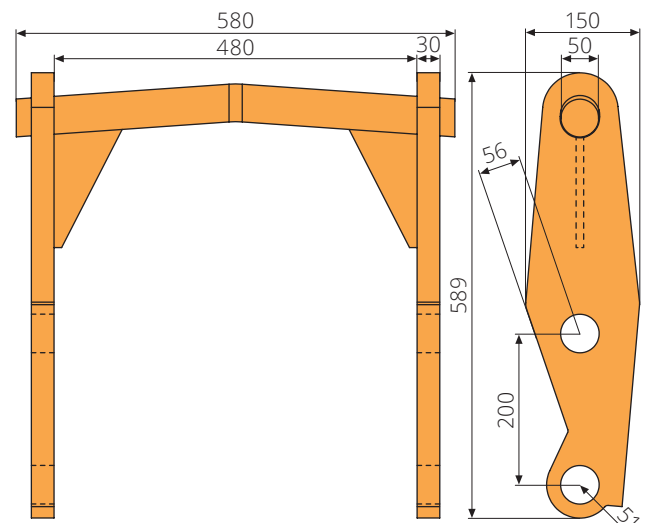
462 264



462 260



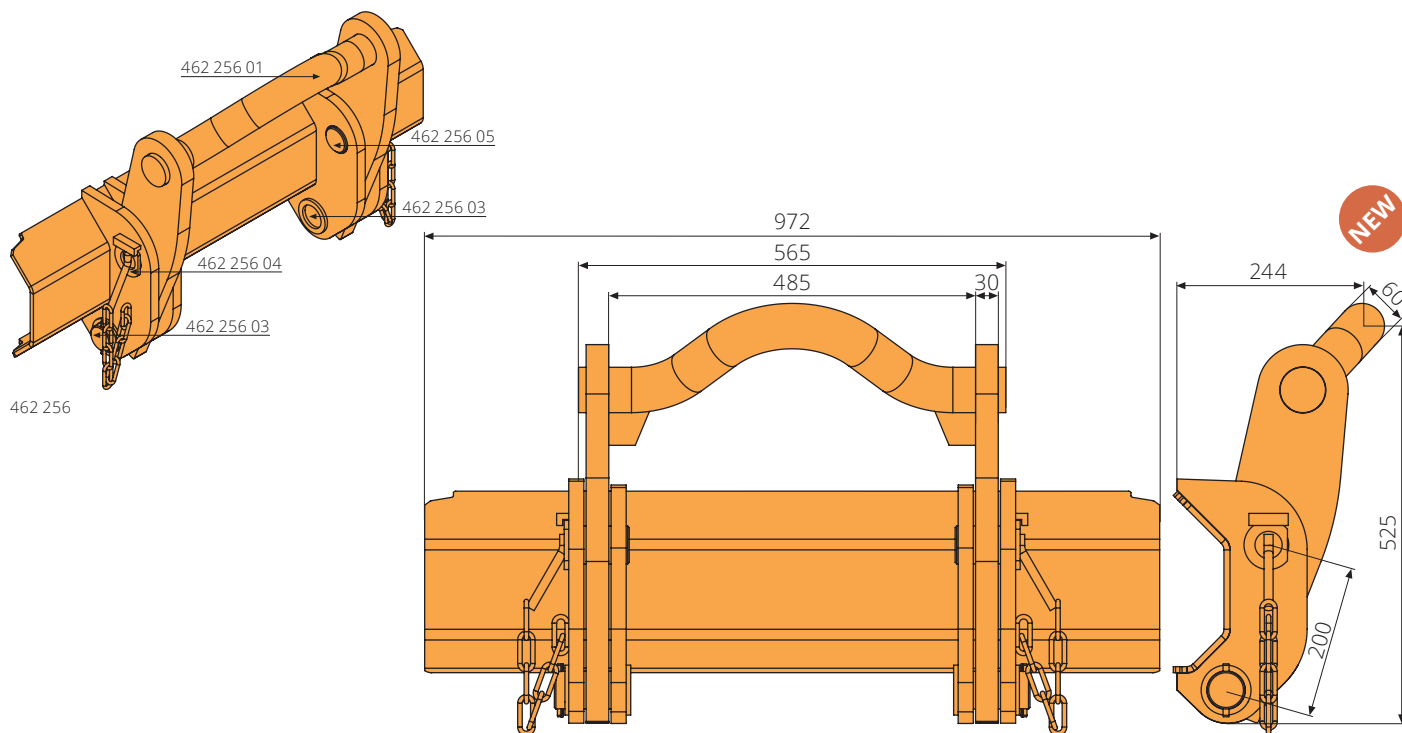
462 266



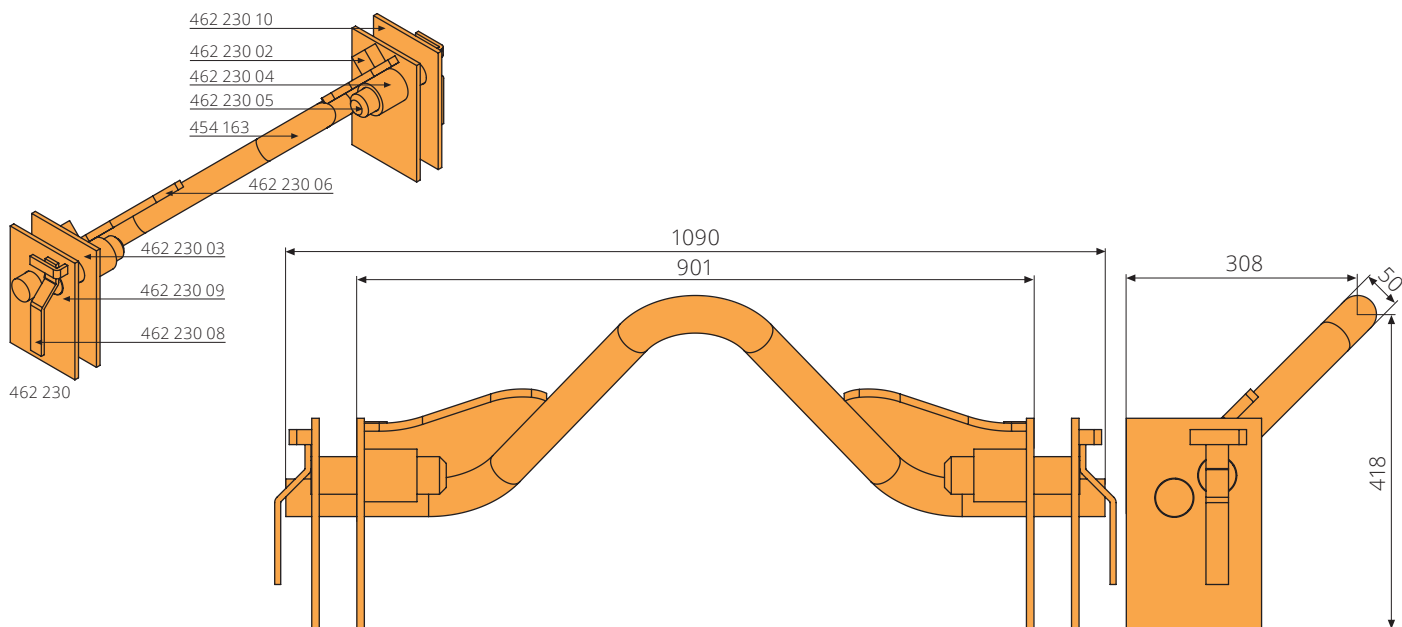
462 261

ArtikelNr	Product	Description
462 256 01	Hinged lifting bar	60x565mm, S355J2+N, bore spacing 200mm, primed
462 264	Hinged lifting bar	50x560mm, S355J2+N, bore spacing 199mm
462 266	Hinged lifting bar	50x579mm, S355J2+N, bore spacing 230mm
462 265	Hinged lifting bar	50x580mm, S355J2+N, bore spacing 199mm
462 260	Hinged lifting bar	50x580mm, S355J2+N, bore spacing 199mm
462 261	Hinged lifting bar	50x580mm, S355J2+N, bore spacing 200mm

Type HUSMANN

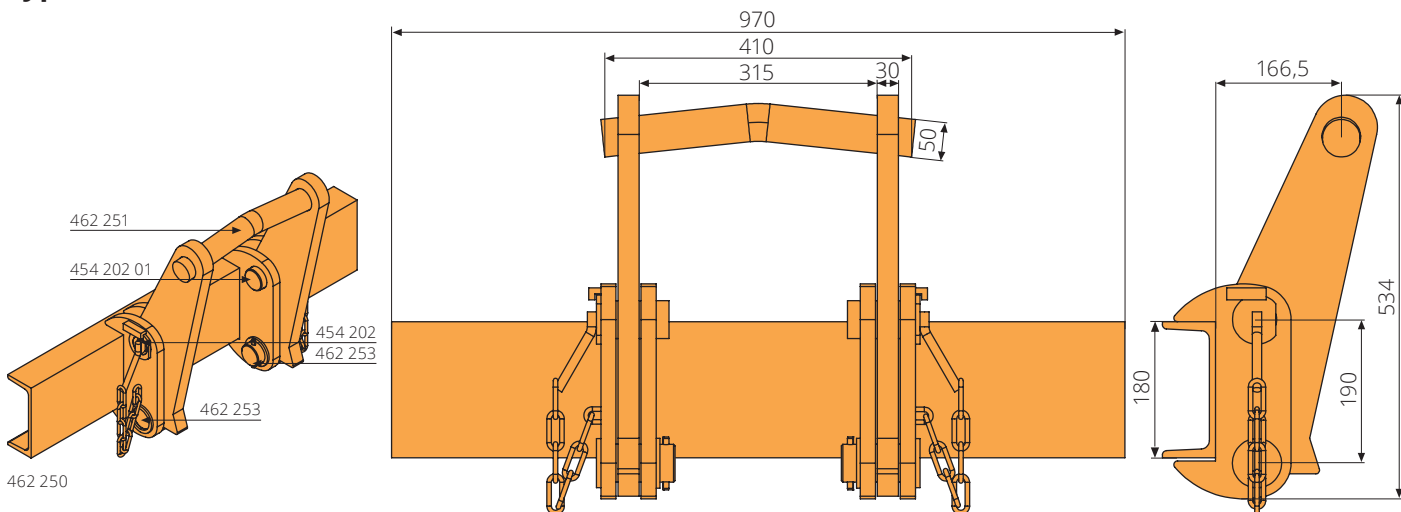


Article no.	Product	Description
462 256	Hinged lifting bar complete	60x972mm, S355J2+N
462 256 01	Hinged lifting bar	60x565mm, S355J2+N, bore spacing 200mm, primed
462 256 04	Bolt	50x80mm, left, with chain, galvanized
462 256 05	Bolt	50x80mm, right, with chain, galvanized
462 256 03	Bolt	50x95mm, galvanized

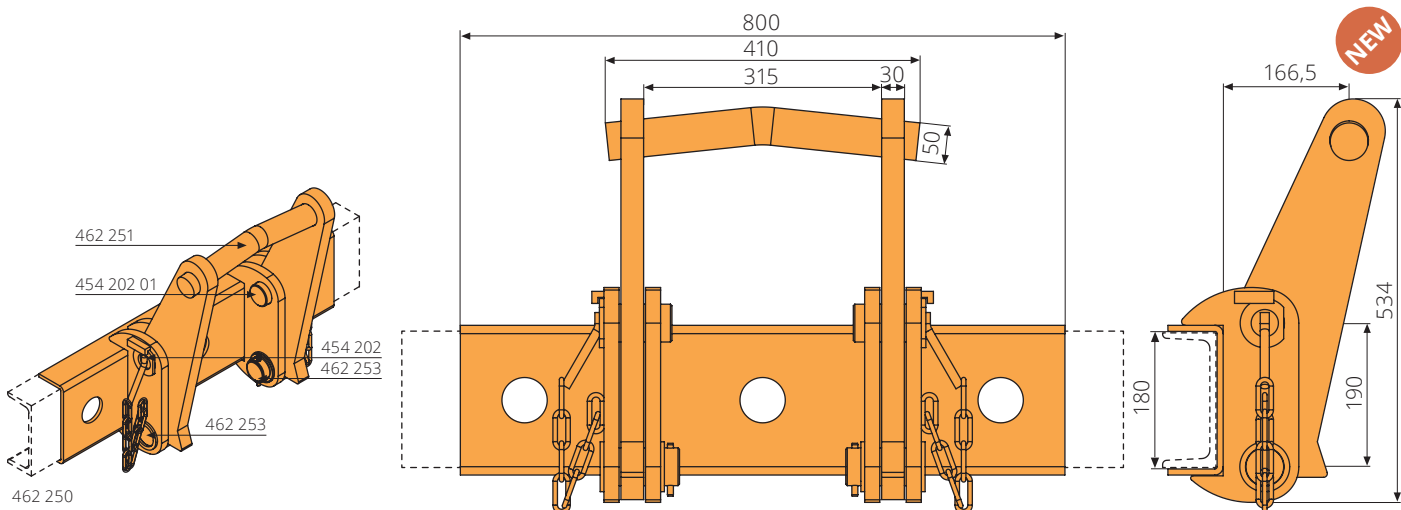


Article no.	Product	Description
462 230	Hinged lifting bar complete	50x1090mm, S355J2+N, delivery in individual parts
454 163	Lifting bar	50x345x1090mm, R75, cold-worked, S355J2+N
462 230 02	Stopper	50x40x30mm
462 230 03	Side plate	280x180x10mm, inside, without safety catch for bolt
462 230 09	Side plate	280x180x10mm, left, with safety catch for bolt
462 230 10	Side plate	280x180x10mm, right, with safety catch for bolt
462 230 04	Bushing	52-70-70mm
462 230 05	Bolt	50x180mm
462 230 06	Reinforcing plate	90x243x15mm
462 230 08	Handle	L=200mm, for bolt

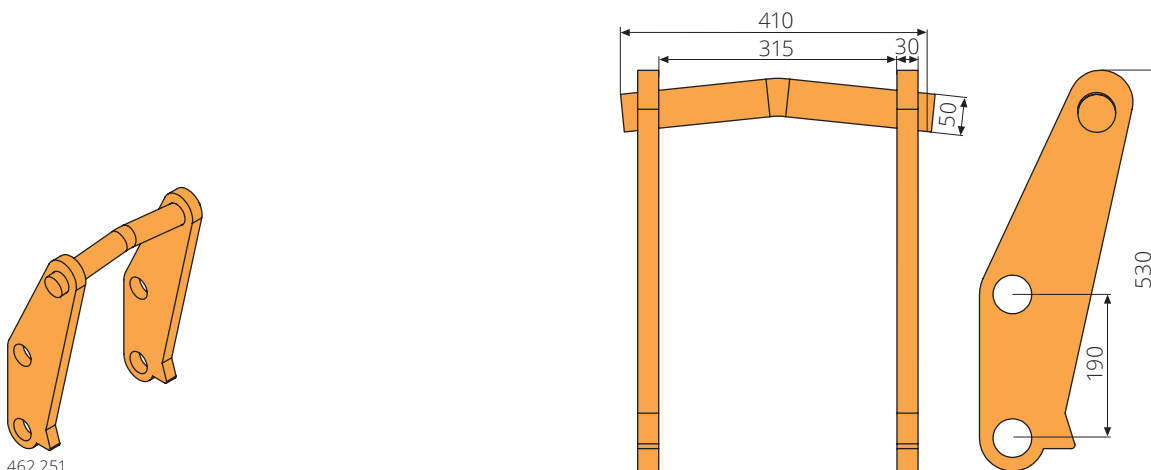
Type HUSMANN



Article no.	Product	Description
462 250	Hinged lifting bar complete	50x970mm, S355J2+N
462 251	Hinged lifting bar	50x410mm, S355J2+N, bore spacing 190mm
454 202	Bolt	50x90mm, left, with chain
454 202 01	Bolt	50x90mm, right, with chain
462 253	Bolt	50x100mm

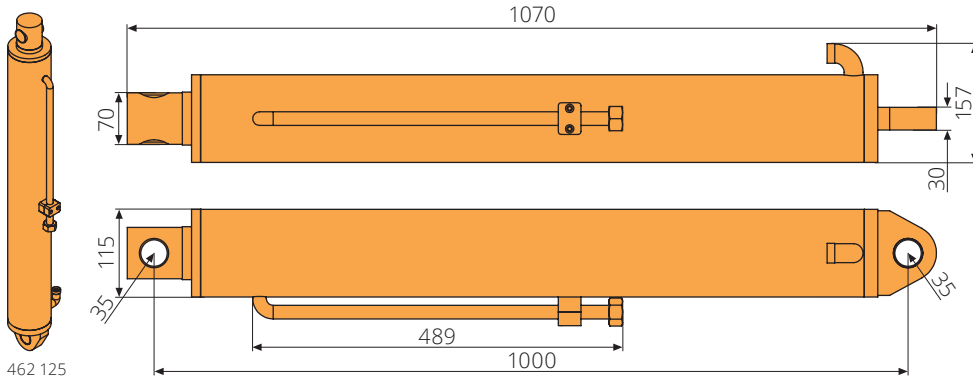


Article no.	Product	Description
462 255	Hinged lifting bar complete	50x800mm, S355J2+N
462 251	Hinged lifting bar	50x410mm, S355J2+N, bore spacing 190mm
454 202	Bolt	50x90mm, left, with chain
454 202 01	Bolt	50x90mm, right, with chain
462 253	Bolt	50x100mm

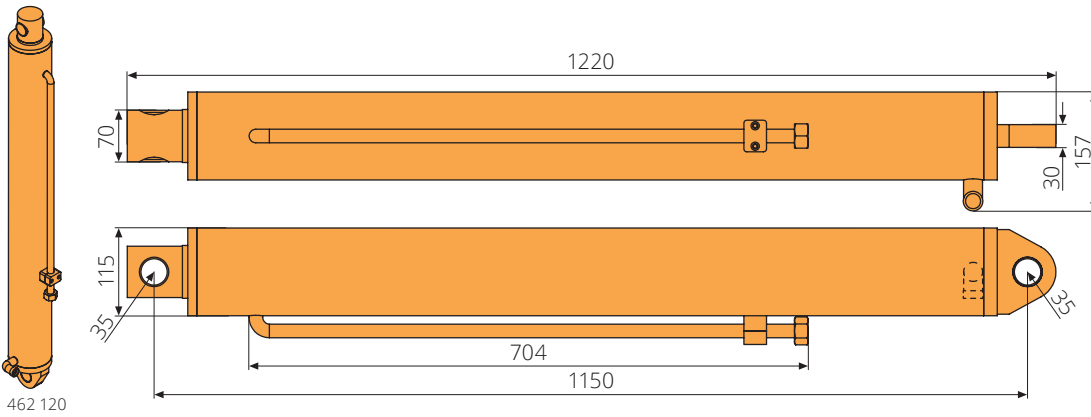


Article no.	Product	Description
462 251	Hinged lifting bar	50x410mm, S355J2+N, bore spacing 190mm

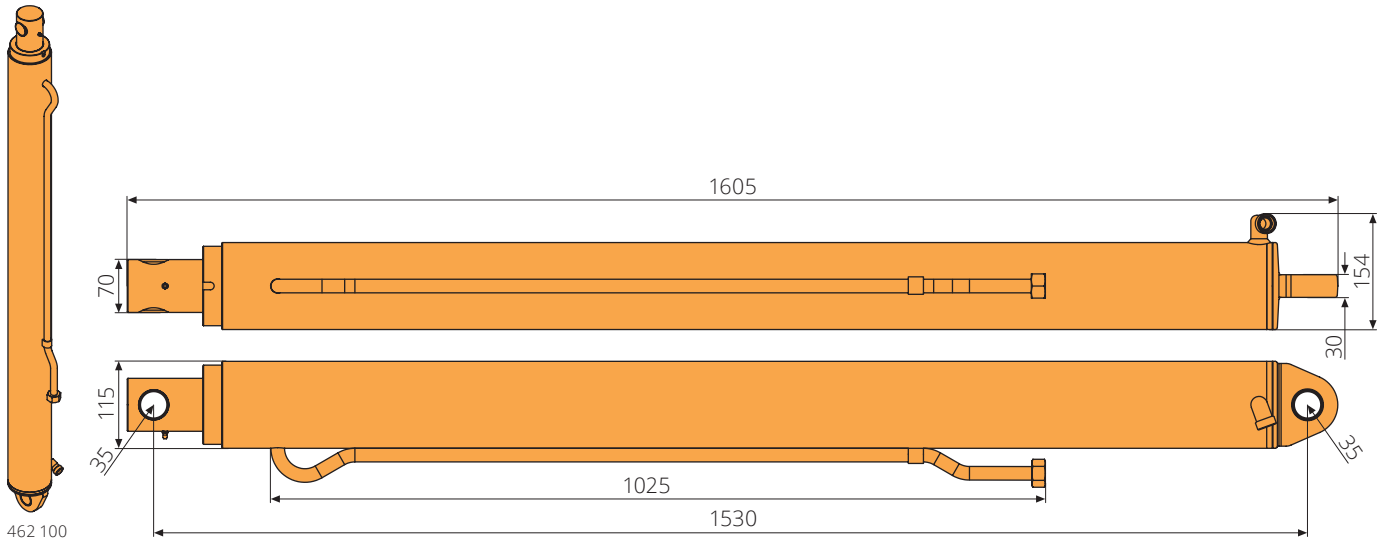
Type HUSMANN



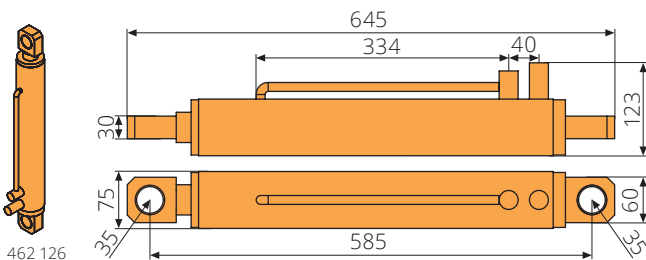
Article no.	Product	Description
462 125	Hydraulic cylinder	stroke 764mm, double-acting, 300bar, SPB/SEL



Article no.	Product	Description
462 120	Hydraulic cylinder	stroke 914mm, double-acting, 300bar, SPB/SEL

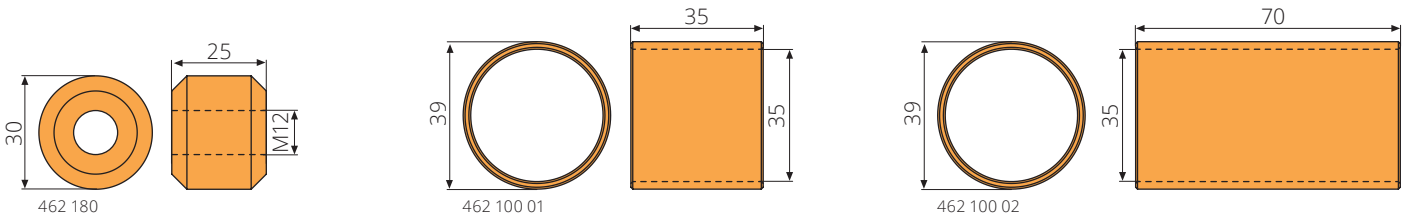


Article no.	Product	Description
462 100	Hydraulic cylinder	stroke 1240mm, double-acting, 300bar, SPB/SEL

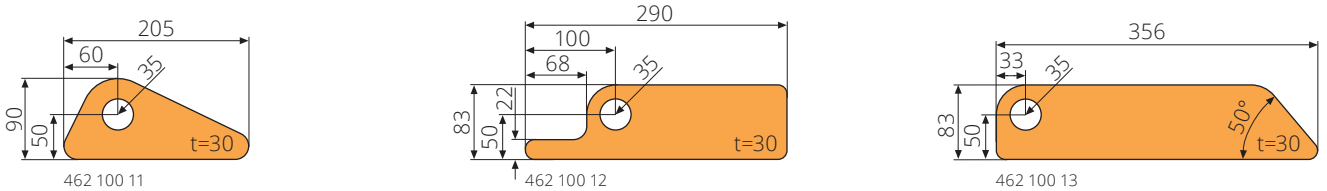


Article no.	Product	Description
462 126	Hydraulic cylinder	stroke 335mm, double-acting, 300bar, with cushioning, for HKV, primed

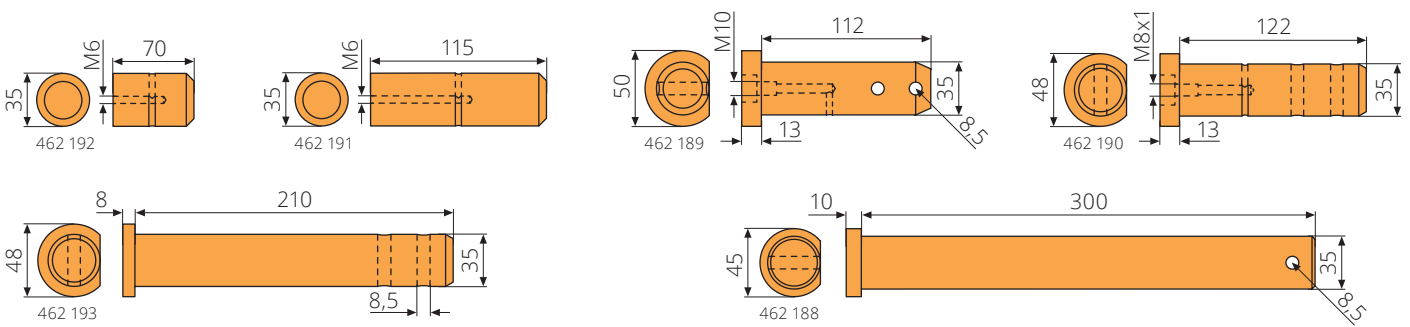
Type HUSMANN



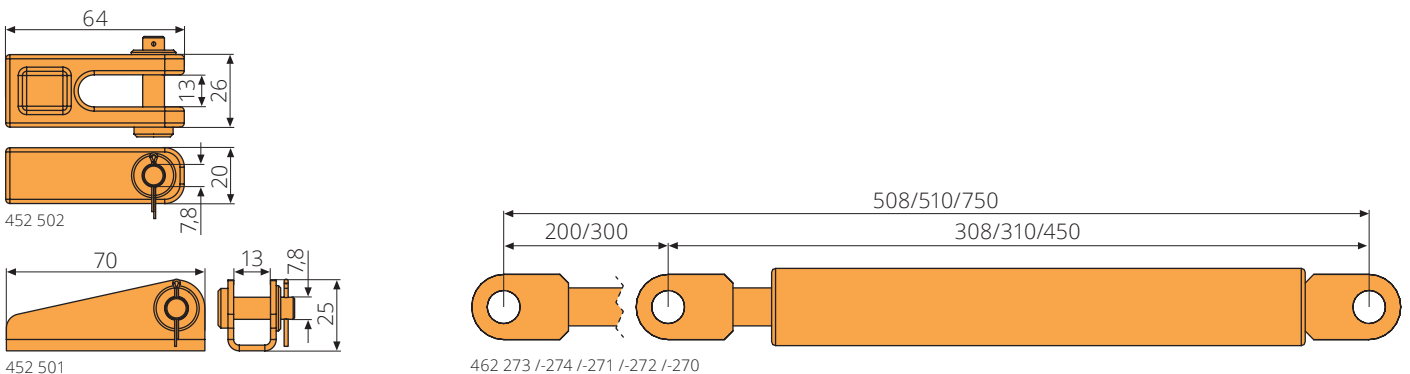
Article no.	Product	Description
462 180	Threaded bushing	M12-30-25mm
462 100 01	Plain bearing	35-39-35mm
462 100 02	Plain bearing	35-39-70mm



Article no.	Product	Description
462 100 11	Cylinder arm	205x90mm, t=30mm, SEL
462 100 12	Cylinder arm	290x83mm, t=30mm, SEL
462 100 13	Cylinder arm	356x83mm, t=30mm, SEN



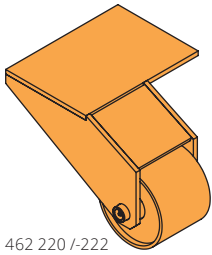
Article no.	Product	Description
462 192	Bolt	35x70mm, HKV, 42CrMo4, hardened
462 191	Bolt	35x115mm, HKV, 42CrMo4, hardened
462 189	Bolt	35x112mm, 42CrMo4, hardened
462 190	Bolt	35x122mm, SPB rear, 42CrMo4, hardened
462 193	Bolt	35x210mm, SPB front, 42CrMo4, hardened
462 188	Bolt	35x300mm, 42CrMo4, hardened



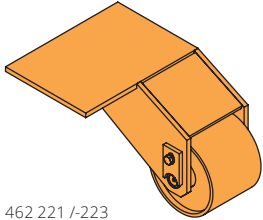
Article no.	Product	Description
452 502	Bracket for gas spring	with pin, cotter pin & washer
452 501	Bracket for gas spring	with pin, cotter pin & washer

Article no.	Product	Description
462 273	Gas spring	2000N, stroke 200mm, total length 508mm, eyes with thread
462 274	Gas spring	1000N, stroke 200mm, total length 510mm, eyes with thread
462 271	Gas spring	1500N, stroke 200mm, total length 510mm, eyes with thread, OEM Nr. 01908020
462 272	Gas spring	1750N, stroke 200mm, total length 510mm, eyes with thread, OEM Nr. 01908025
462 270	Gas spring	2000N, stroke 300mm, total length 750mm, eyes with thread

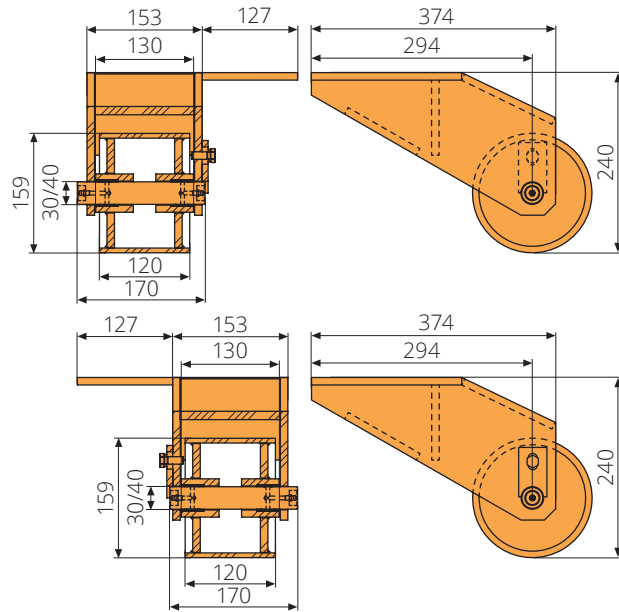
Type HUSMANN



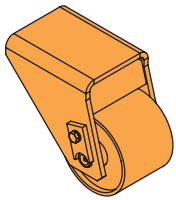
462 220 /-222



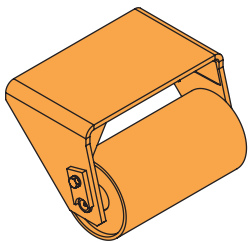
462 221 /-223



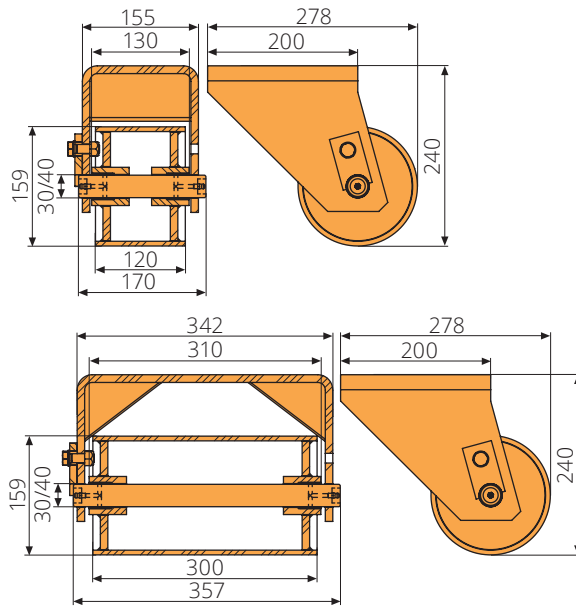
Article no.	Product	Description
462 220	Roller complete	30-159-120/130mm, left, lubrication, brass bushing
462 221	Roller complete	30-159-120/130mm, right, lubrication, brass bushing
462 222	Roller complete	40-159-120/130mm, left, lubrication, brass bushing
462 223	Roller complete	40-159-120/130mm, right, lubrication, brass bushing



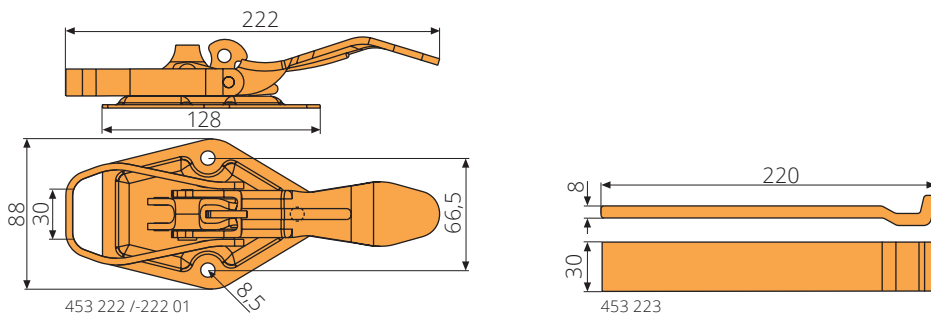
462 226 /-227



462 225 /-228



Article no.	Product	Description
462 226	Roller complete	30-159-120/130mm, lubrication, brass bushing
462 225	Roller complete	30-159-300/310mm, lubrication, brass bushing
462 227	Roller complete	40-159-120/130mm, lubrication, brass bushing
462 228	Roller complete	40-159-300/310mm, lubrication, brass bushing

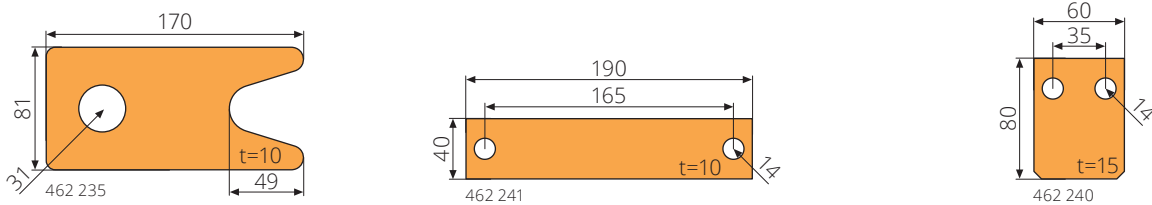


Article no.	Product	Description
453 222 01	Over centre lock	stroke 50mm, with automatic safety latch, Danish model, galvanized
453 223	Counterhold for over centre locks	30x220mm, for over centre locks 453 222 /-222 01

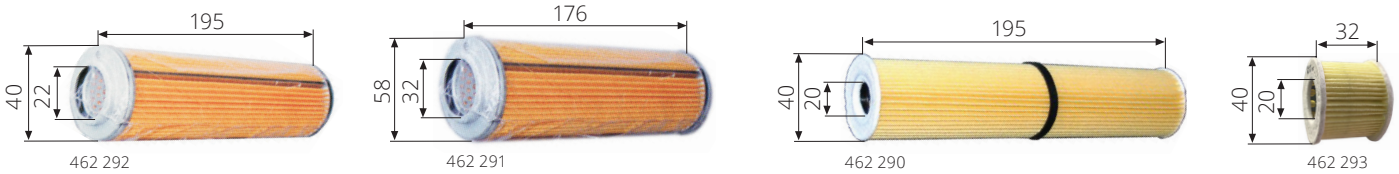
Type HUSMANN



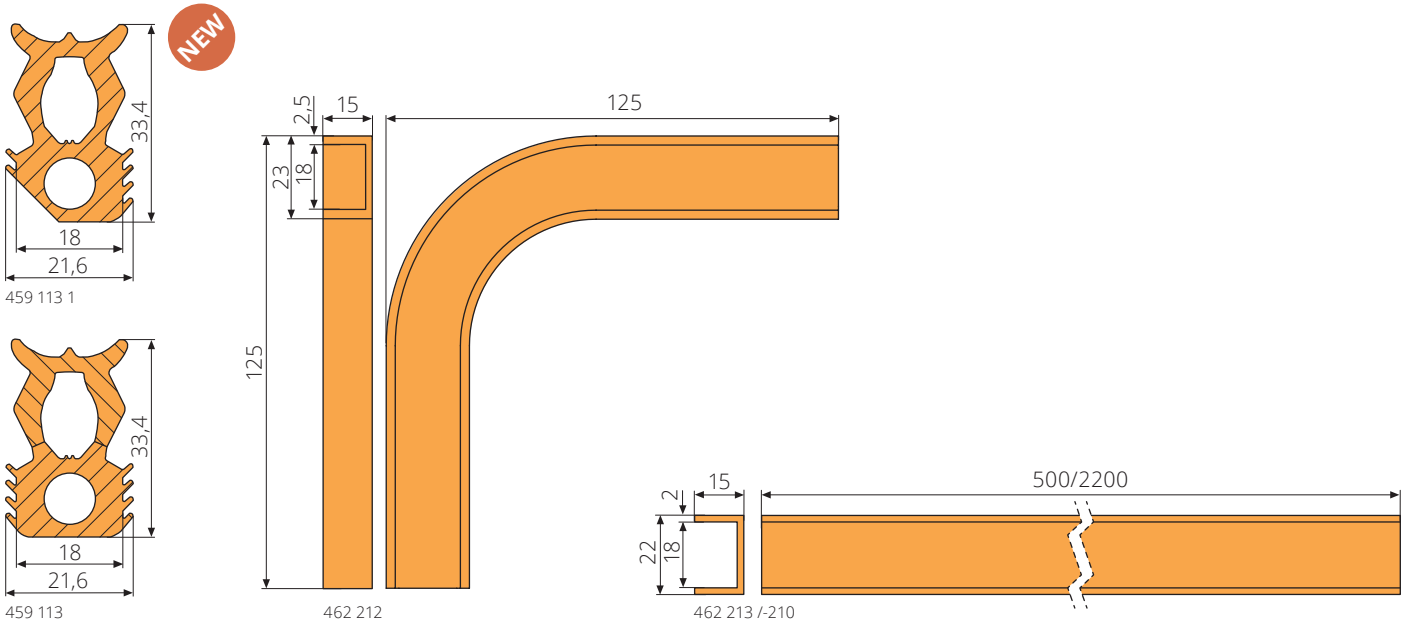
Article no.	Product	Description
451 013	Hinge	16x100x66mm, left
451 012	Hinge	16x100x66mm, right



Article no.	Product	Description
462 235	Welding plate	170x81x10mm, S355J2, for door locking system
462 241	Catch	40x190x10mm, S235JR, primed
462 240	Catch	80x60x15mm, S235JR, primed



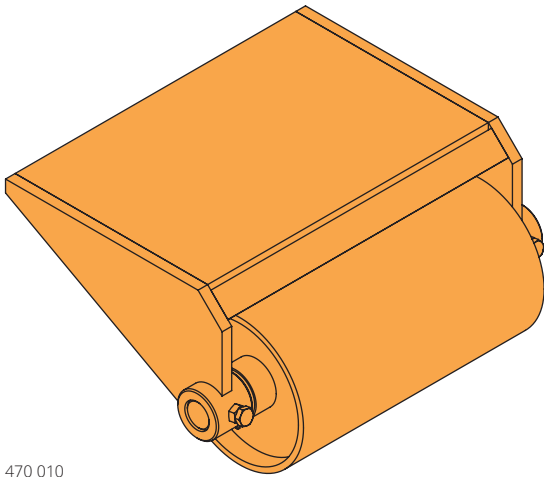
ArtikelNr	Product	Description
462 292	Filter cartridge	22-40-195mm, 25 micron, paper
462 291	Filter cartridge	32-58-176mm, 25 micron, paper
462 290	Filter cartridge	20-40-195mm, 25 micron, paper
462 293	Filter cartridge set	20-40-32mm, 3 filters, 10 micron, paper



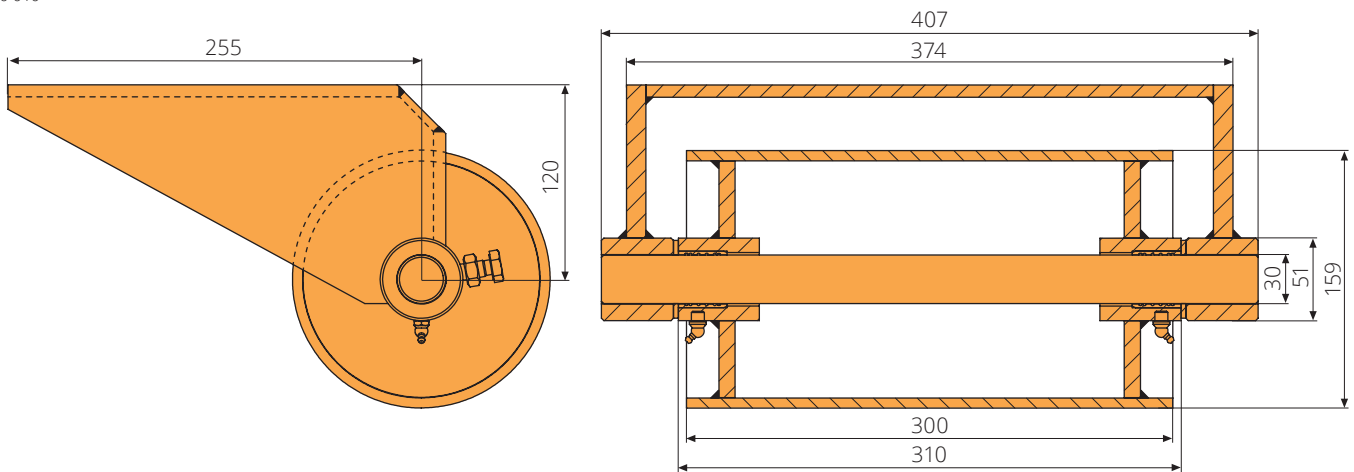
Article no.	Product	Description
459 113 1	Solid rubber seal	21,6x33,4mm, 20m bundle
459 113	Seal for compactors	21,6x33,4mm, 2 types of rubber, 20m bundle

Article no.	Product	Description
462 212	U-profile	125x23x15x2,5mm, 90° elbow, S355J2
462 213	U-profile	500x22x15x2mm, S355J2
462 210	U-profile	2200x22x15x2mm, S355J2

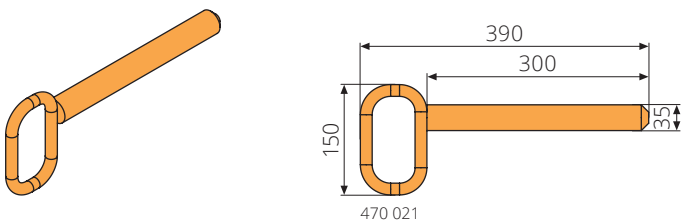
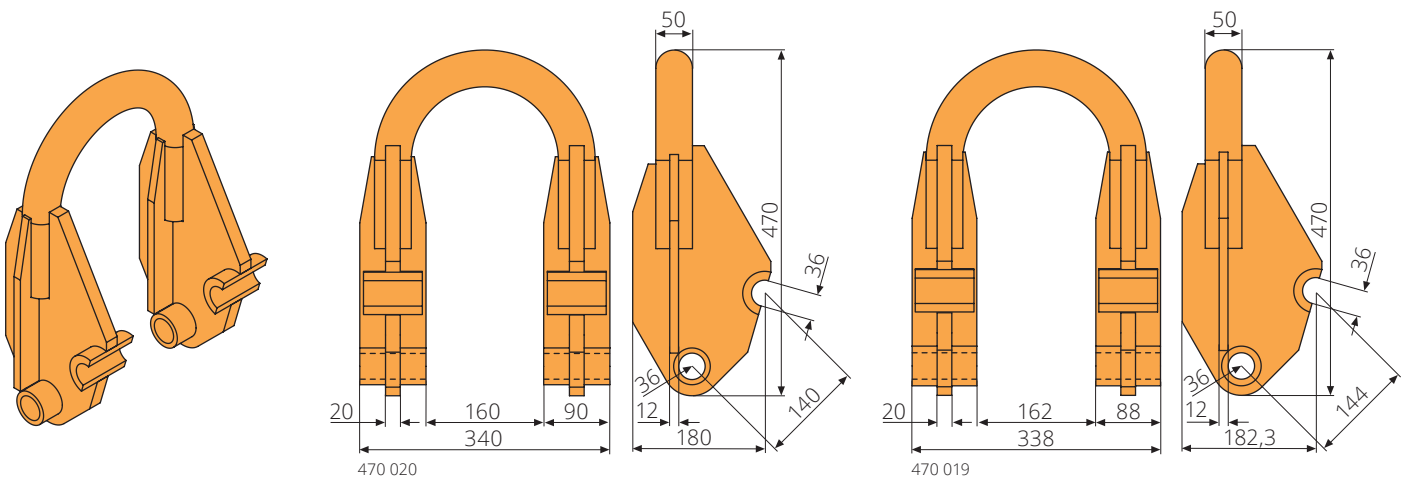
Type HÜFFERMANN



470 010

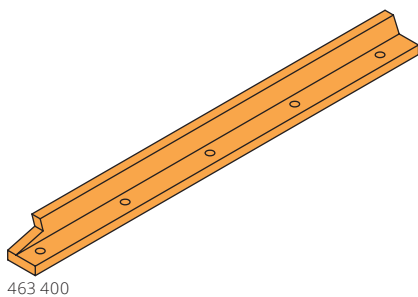


Article no.	Product	Description
470 010	Roller complete	30-159-300/310mm

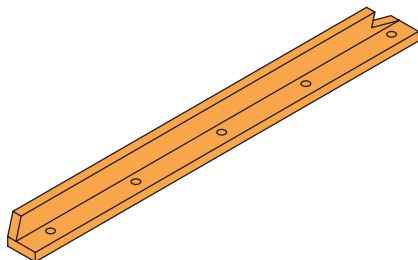
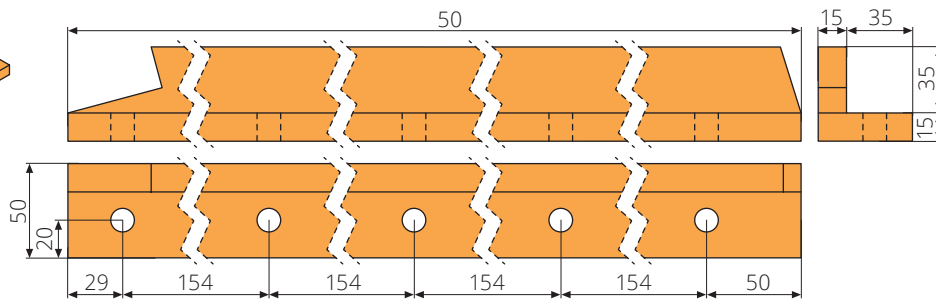


Article no.	Product	Description
470 020	Hinged lifting bar	50x340mm, S355J2+N
470 019	Hinged lifting bar	50x338mm, S355J2+N,
470 021	Bolt	35x300mm, with handle

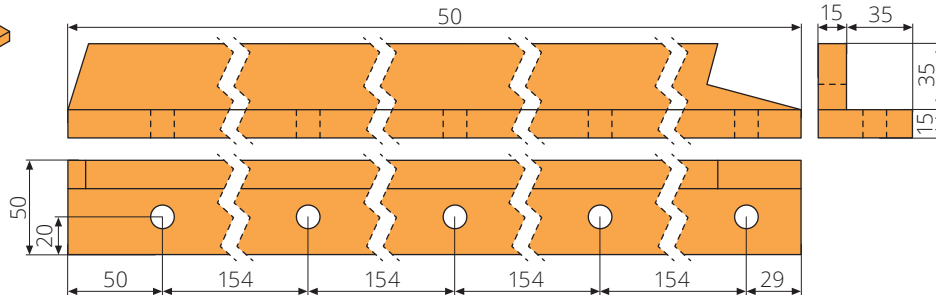
Type KLAUS



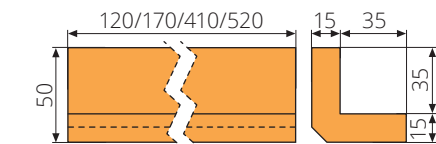
463 400



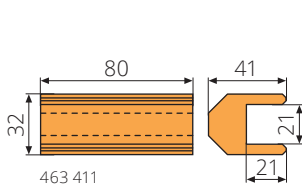
463 401



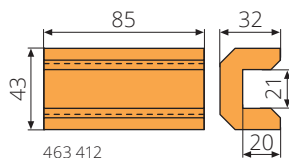
463 408 /-407 /-406 /-409



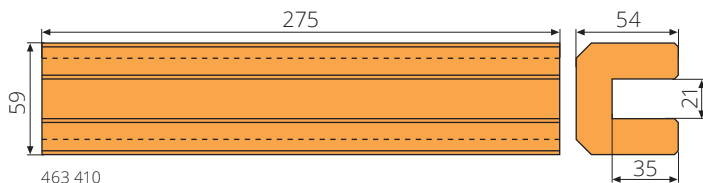
Article no.	Product	Description
463 400	Angled guide	695x50x50mm, left, plastic
463 401	Angled guide	695x50x50mm, right, plastic
463 408	Angled guide	120x50x50mm, bottom, plastic
463 407	Angled guide	170x50x50mm, bottom, plastic
463 406	Angled guide	410x50x50mm, top, plastic
463 409	Angled guide	520x50x50mm, top, plastic



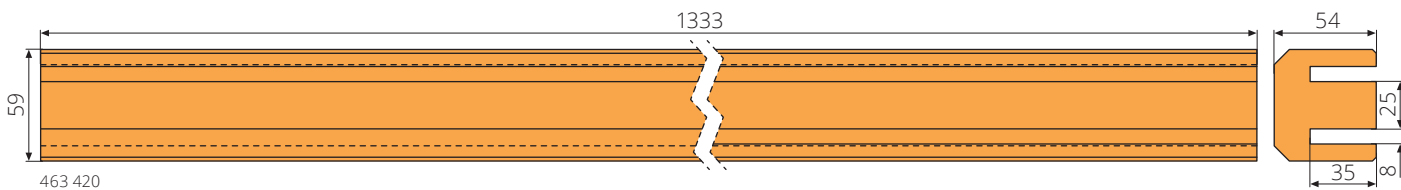
463 411



463 412

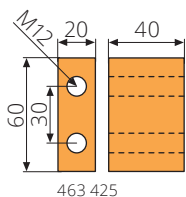


463 410

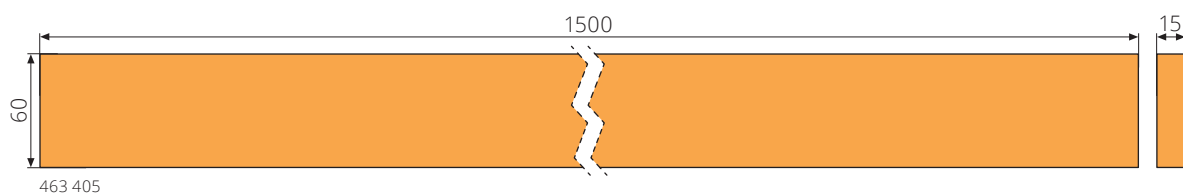


463 420

Article no.	Product	Description
463 411	Guide profile	80x32x41mm, plastic
463 412	Guide profile	85x43x32mm, top left/right, plastic
463 410	Guide profile	275x59x54mm, bottom left/right, plastic
463 420	Guide profile	1333x59x54mm, plastic



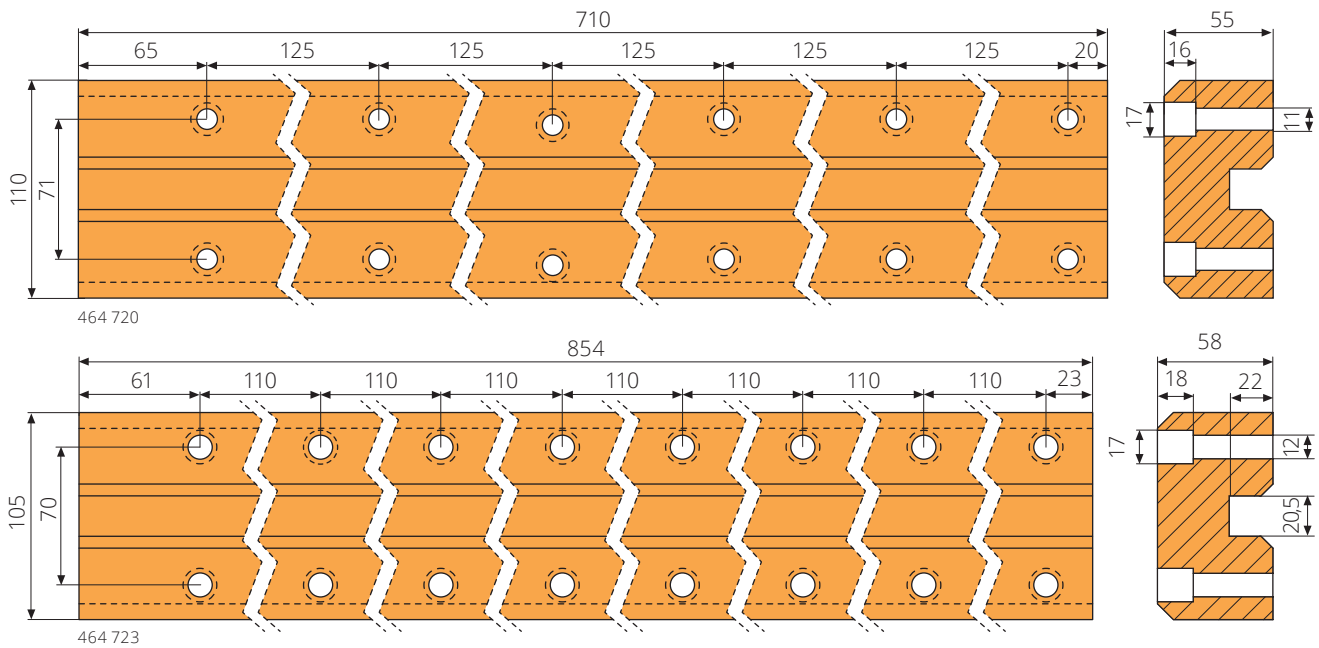
463 425



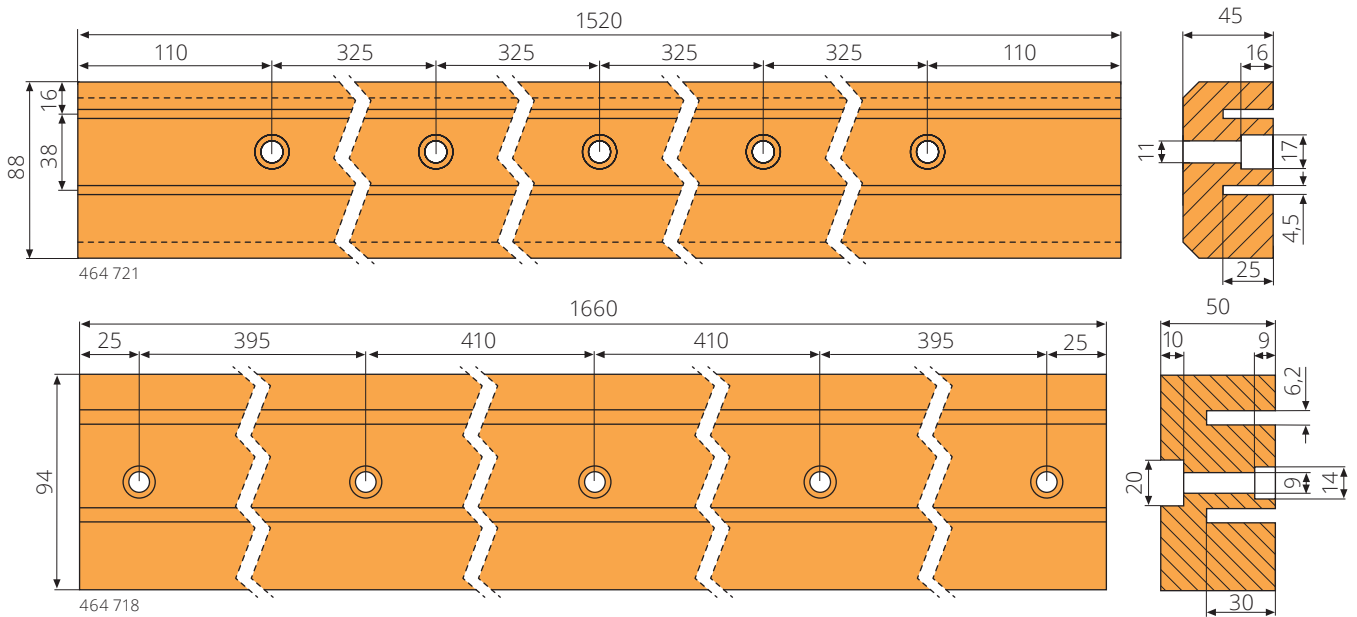
463 405

Article no.	Product	Description
463 425	Catch	60x20x40mm, steel, galvanized
463 405	Slide profile	1500x60x15mm, plastic

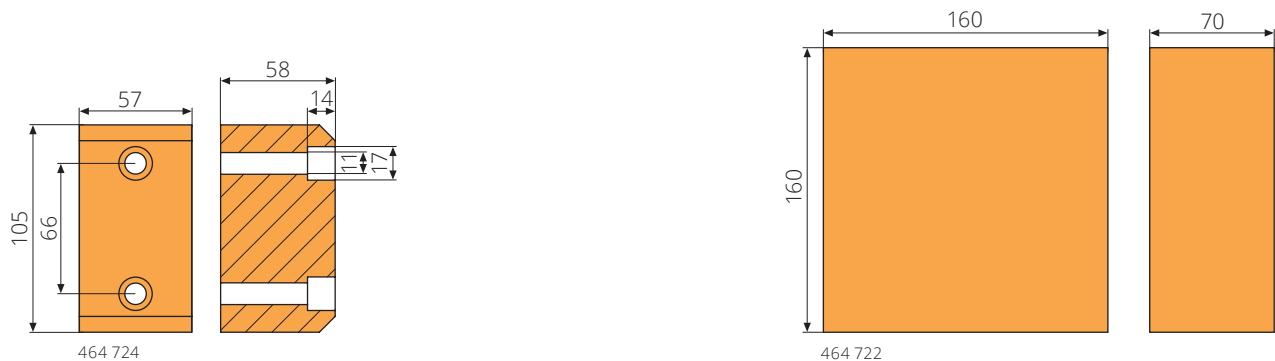
Type KNIERIM



Article no.	Product	Description
464 720	Guide profile	710x55x110mm, for compaction plate, plastic
464 723	Guide profile	854x58x105mm, plastic



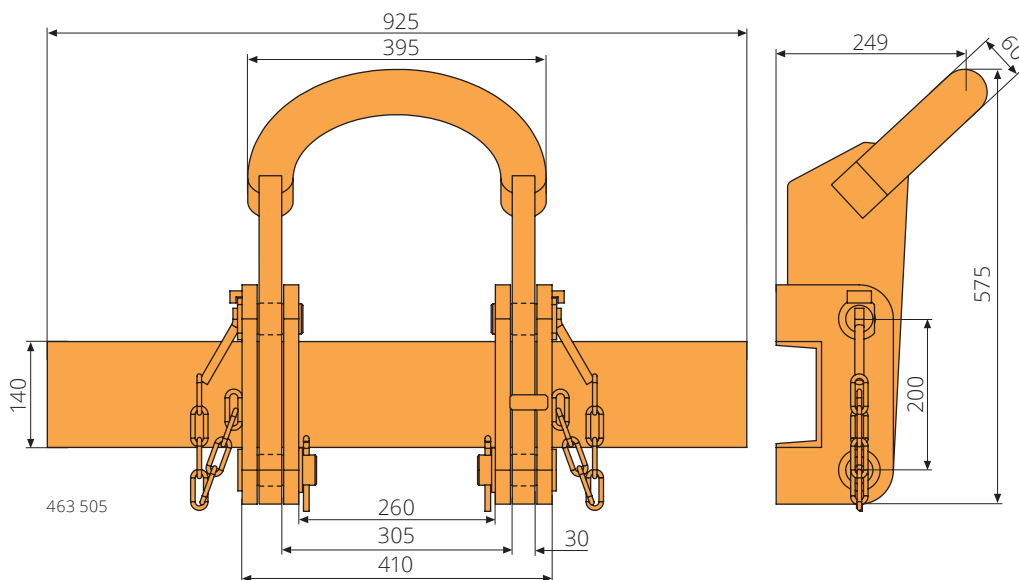
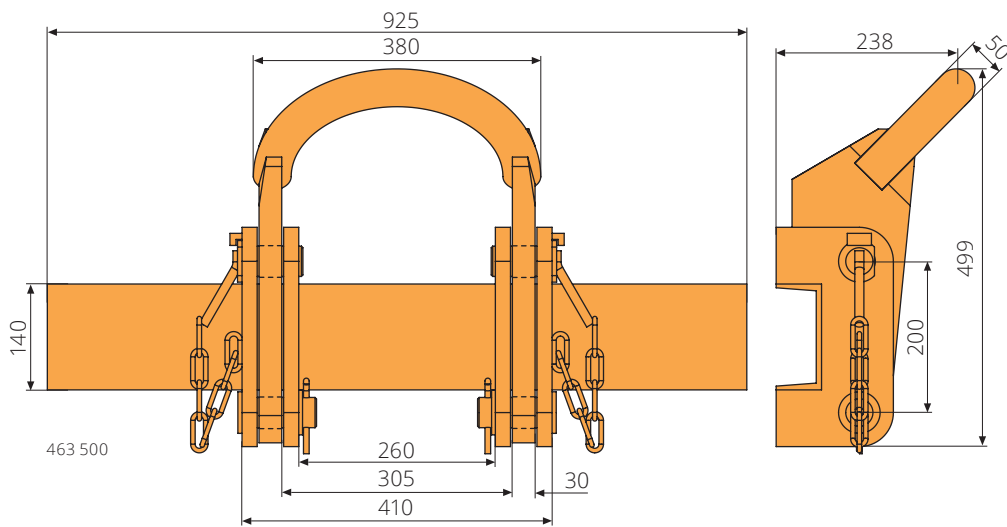
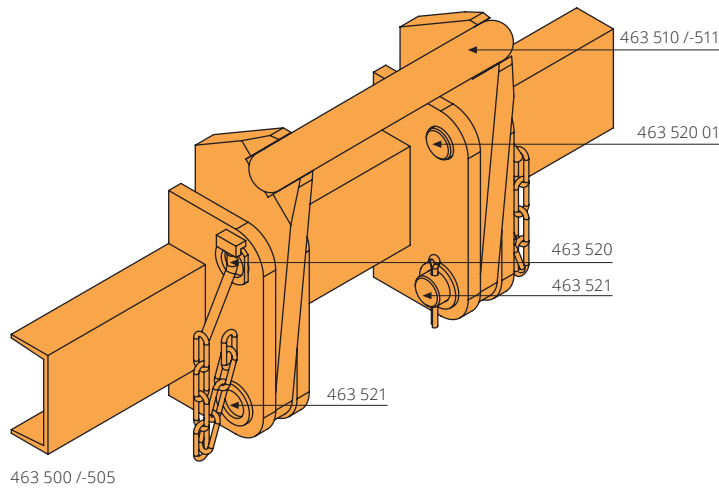
Article no.	Product	Description
464 721	Guide profile	1520x45x88mm, for apron plate, plastic
464 718	Guide profile	1660x50x94mm, plastic



Article no.	Product	Description
464 724	Slide profile	105x58x57mm, plastic
464 722	Slide profile	160x160x70mm, for compaction plate, plastic

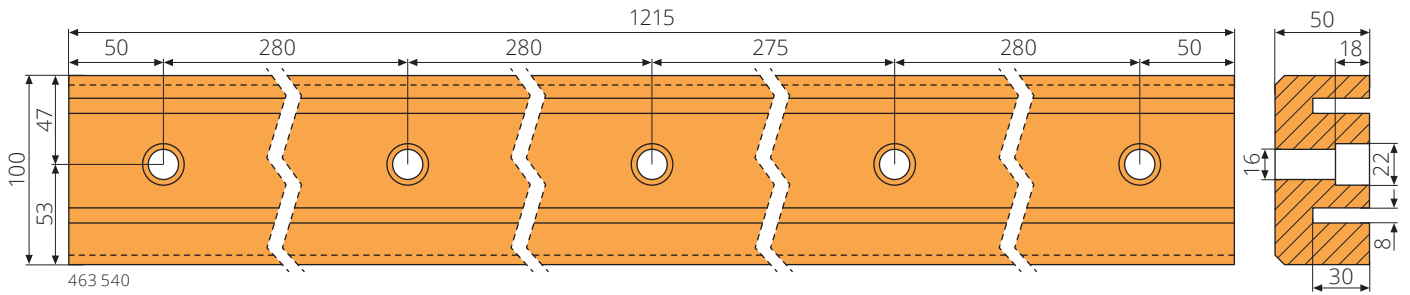
Type L+M LUDDEN + MENNEKES

Type KNIERIM / Type L+M LUDDEN + MENNEKES

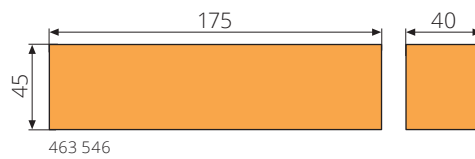
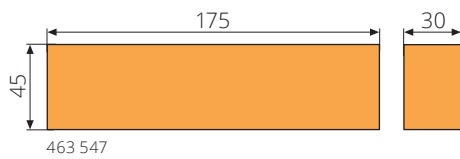
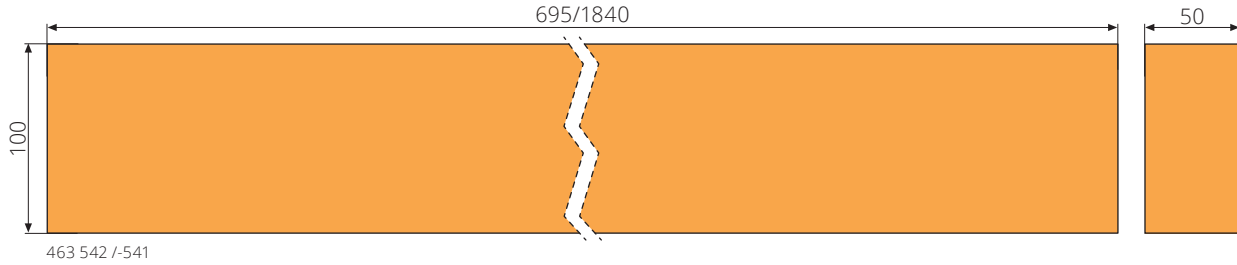
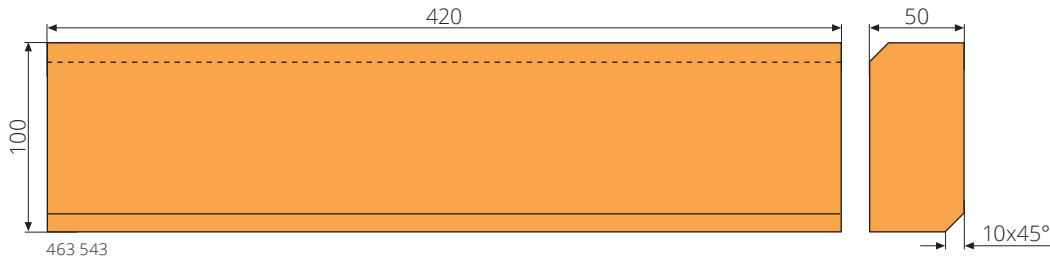


Article no.	Product	Description
463 500	Hinged lifting bar complete	50x925mm, S355J2+N
463 510	Hinged lifting bar	50x380mm, S355J2+N
463 505	Hinged lifting bar complete	60x925mm, S355J2+N
463 511	Hinged lifting bar	60x395mm, S355J2+N
463 520	Bolt	40x80mm, left, with chain
463 520 01	Bolt	40x80mm, right, with chain
463 521	Bolt	40x98mm, with bore for cotter pin

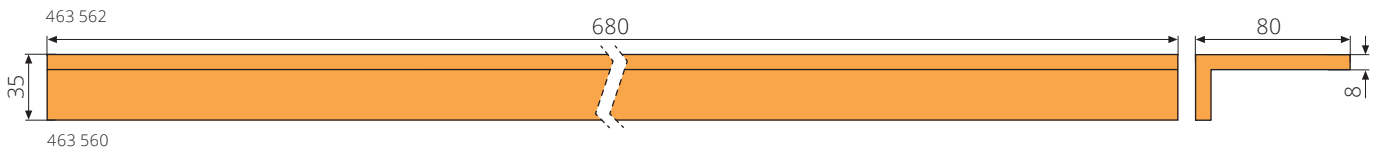
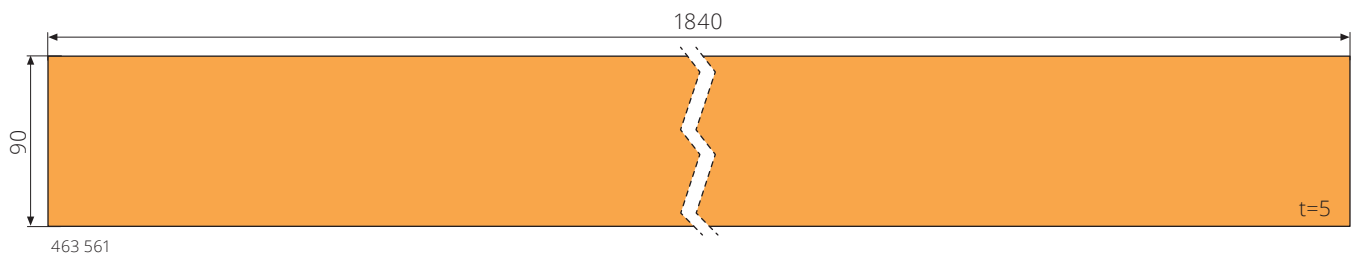
Type L+M LUDDEN + MENNEKES



Article no.	Product	Description
463 540	Guide profile	1215x100x50mm, plastic

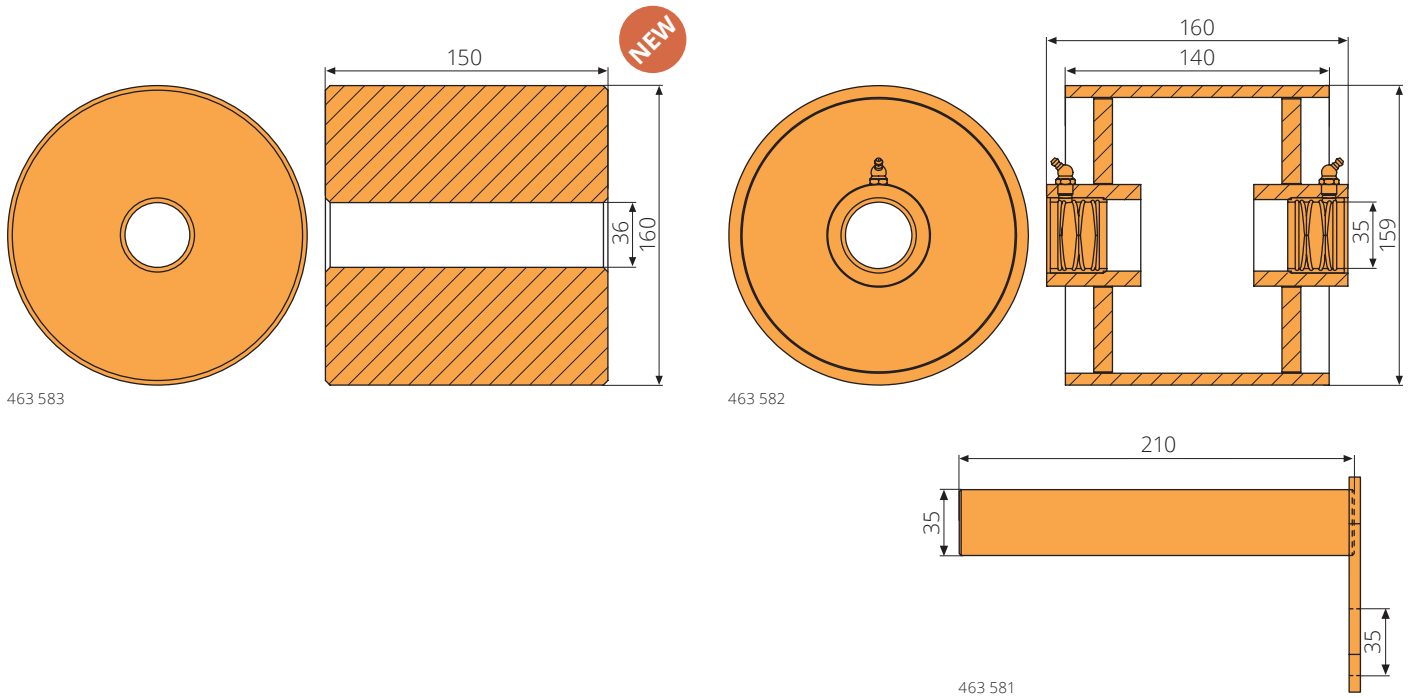


Article no.	Product	Description
463 543	Slide profile	420x100x50mm, plastic
463 542	Slide profile	695x100x50mm, plastic
463 541	Slide profile	1840x100x50mm, plastic
463 547	Slide profile	175x45x30mm, plastic
463 546	Slide profile	175x45x40mm, plastic

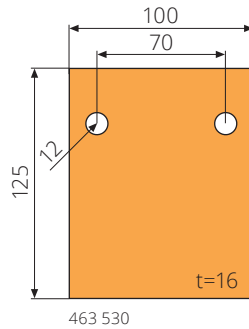


Article no.	Product	Description
463 561	Flat steel	1840x90x5mm, S355J2
463 562	Flat steel	175x40x5mm, S355J2
463 560	Angled guide	680x80x35mm, t=8mm, S355J2

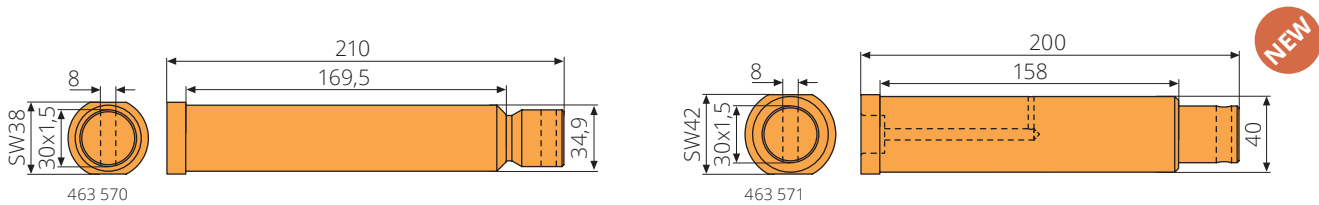
Type L+M LUDDEN + MENNEKES



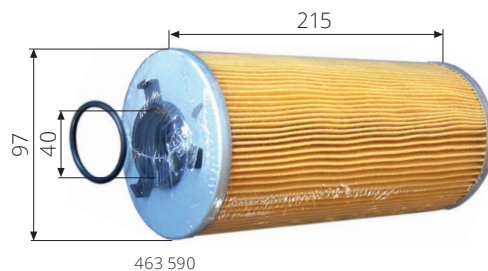
Article no.	Product	Description
463 583	Polyamide roller	36-160-300mm
463 582	Roller	35-159-140/160mm, bushing lubrication, brass bushing
463 581	Axle	35x210mm, with safety catch, S355J2



Article no.	Product	Description
463 530	Plate	125x100mm, t=16mm, S235JR, for thrust wall

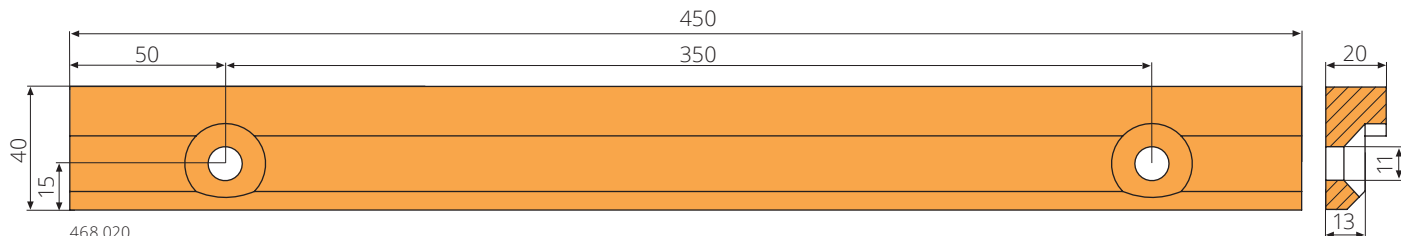
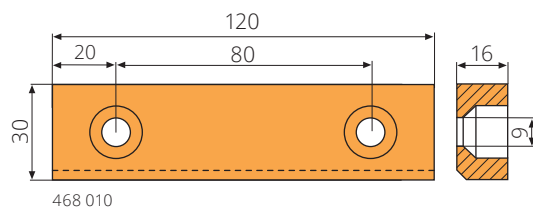


Article no.	Product	Description
463 570	Bolt	34,9x210mm, M30x1,5mm, 42CrMo4, hardened
463 571	Bolzen	40x200mm, M30x15mm, 42CrMo4, gehärtet, L+M LUDDEN + MENNEKES

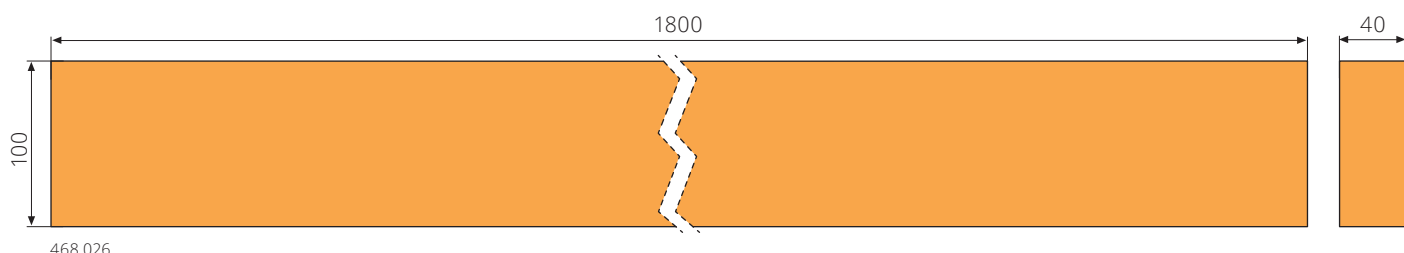
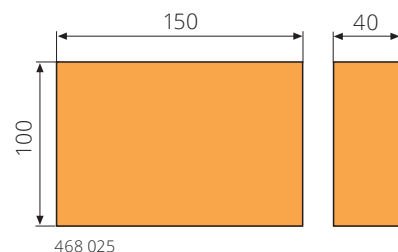


Article no.	Product	Description
463 590	Filter cartridge	40-97-215mm, 25 micron, paper

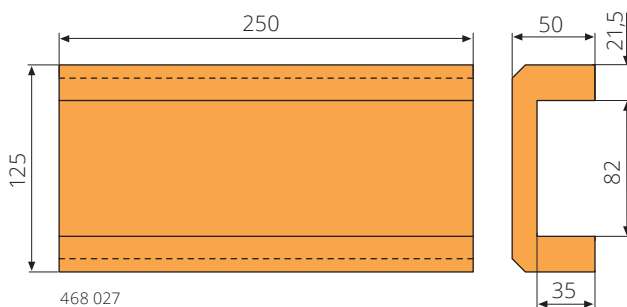
Type LMS



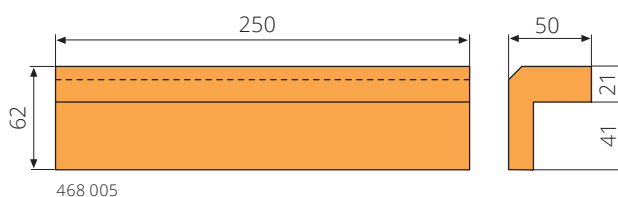
Article no.	Product	Description
468 010	Slide profile	120x16x30mm, plastic
468 020	Slide profile	450x20x40mm, plastic



Article no.	Product	Description
468 025	Slide profile	150x40x100mm, plastic
468 026	Slide profile	1800x40x100mm, plastic

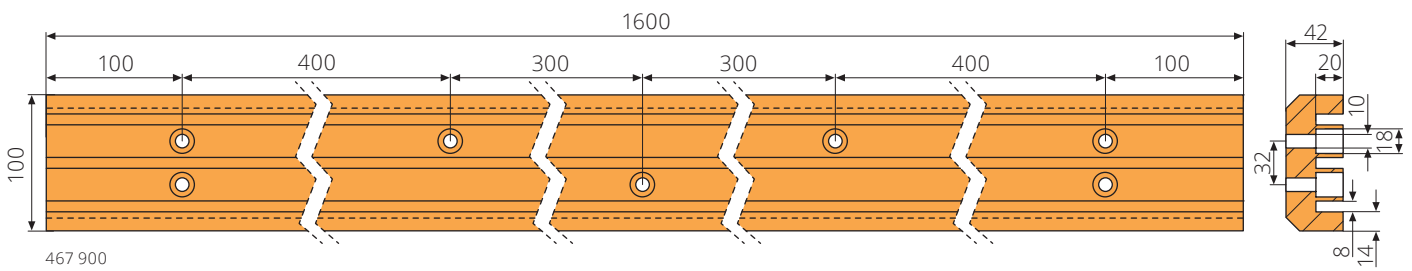
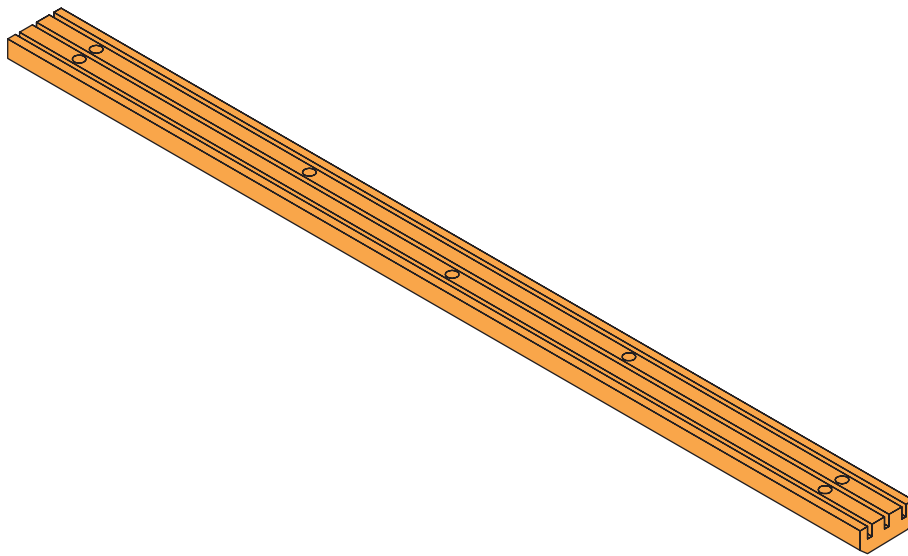


Article no.	Product	Description
468 027	Guide profile	250x50x125mm, plastic



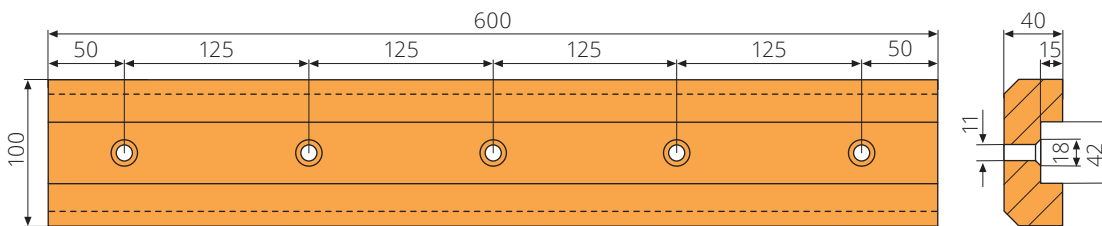
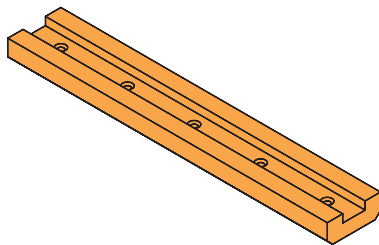
Article no.	Product	Description
468 005	Angled guide	250x62x50mm, plastic

Type NAU



467 900

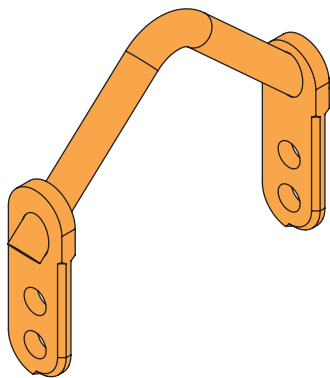
Article no.	Product	Description
467 900	Guide profile	1600x42x100mm, plastic



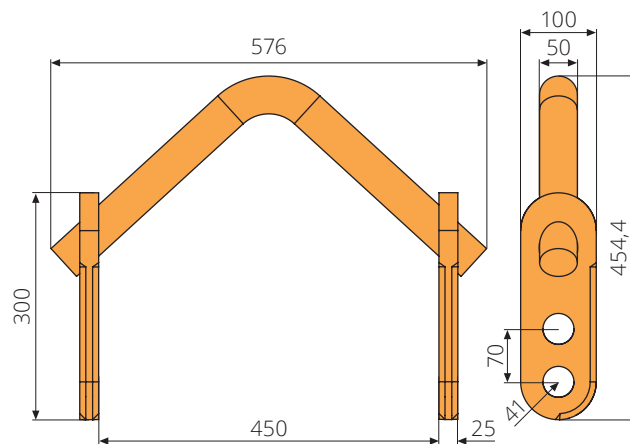
467 901

Article no.	Product	Description
467 901	Guide profile	600x40x100mm, plastic

Type OTTO

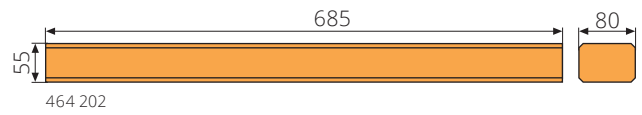
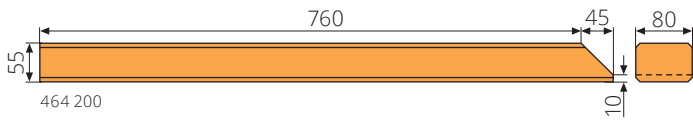


463 600

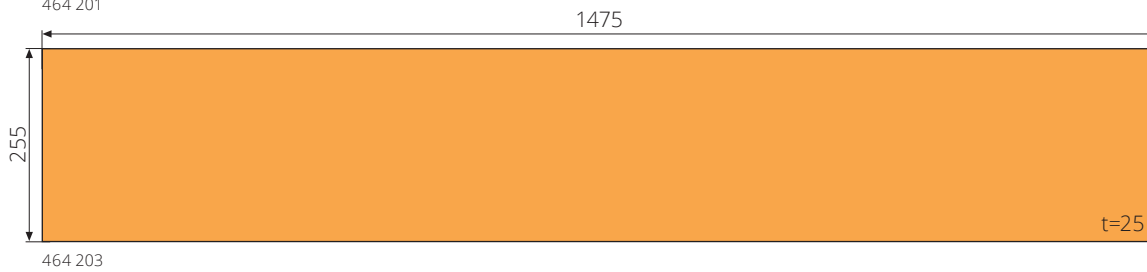
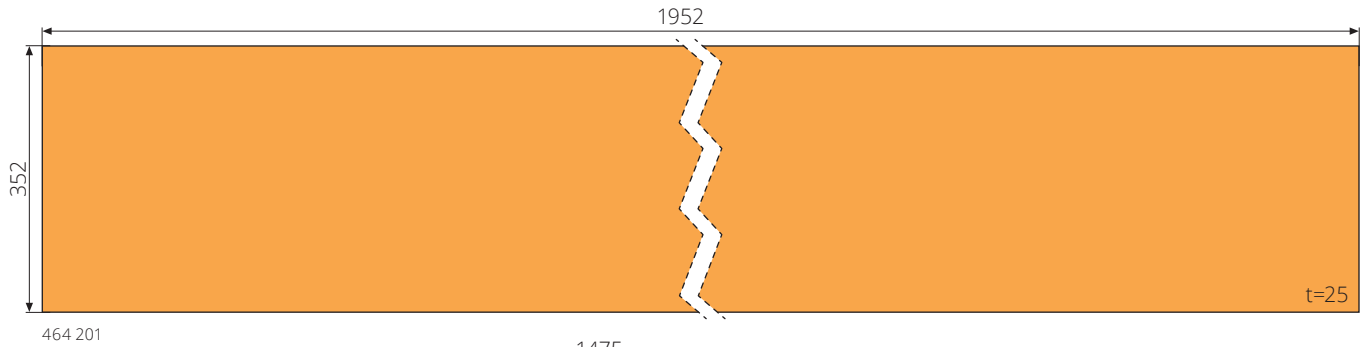


ArtikelNr	Product	Description
463 600	Hinged lifting bar	50x576mm, S355J2+N

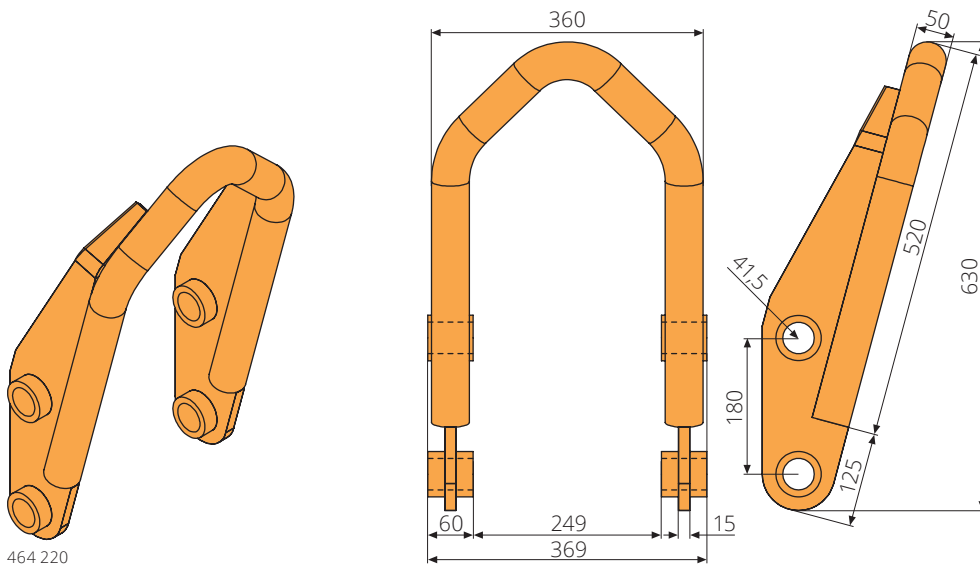
Type RIES



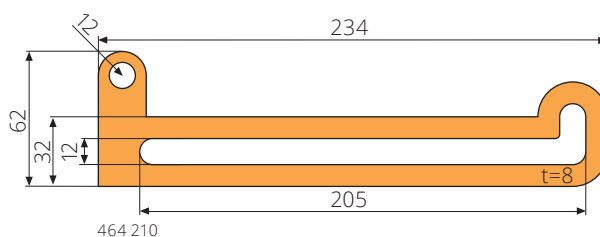
Article no.	Product	Description
464 200	Slide profile	805/760x80x55mm, plastic
464 202	Slide profile	685x80x55mm, plastic, SP85



Article no.	Product	Description
464 201	Slide profile	1952x352x25mm, plastic
464 203	Slide profile	1475x255x25mm, plastic, SP85

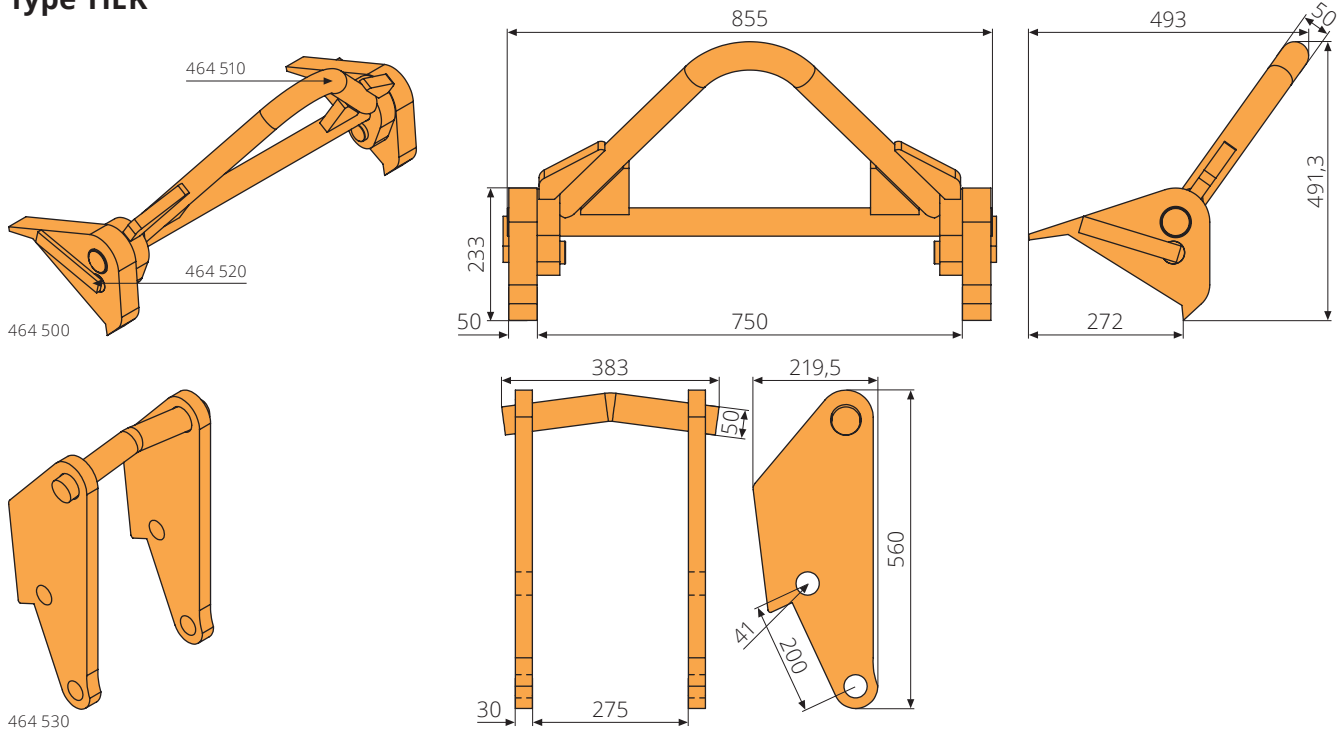


Article no.	Product	Description
464 220	Hinged lifting bar	50x360mm, S355J2+N

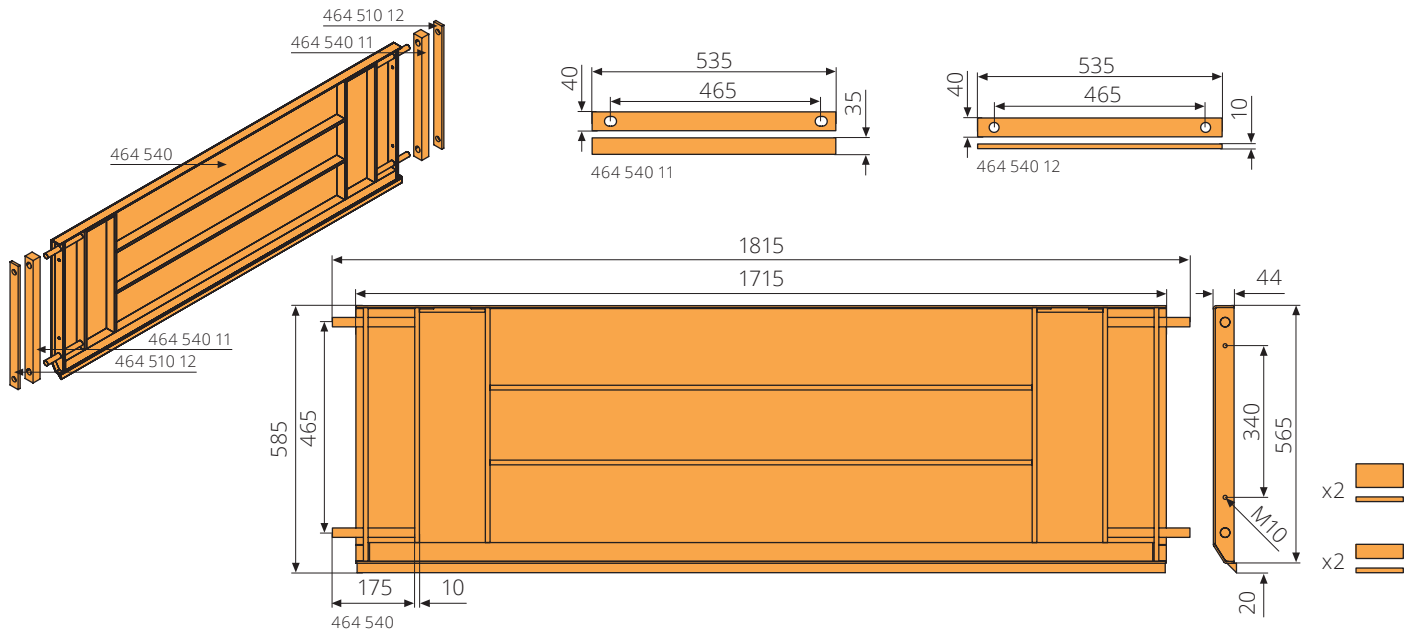


Article no.	Product	Description
464 210	Lid detent	234x62mm, t=8mm, S355J2, galvanized

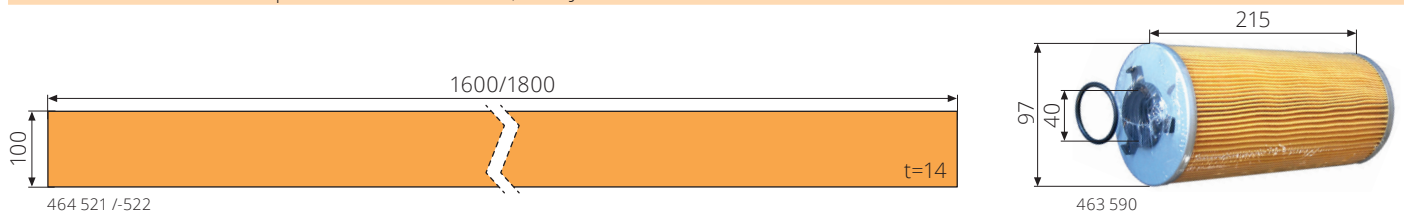
Type TIEK



Article no.	Product	Description
464 500	Hinged lifting bar complete	50x855mm, S355J2+N
464 510	Hinged lifting bar	50x855mm, S355J2+N
464 520	Bolt	40x100mm
464 530	Hinged lifting bar	50x283mm, S355J2+N

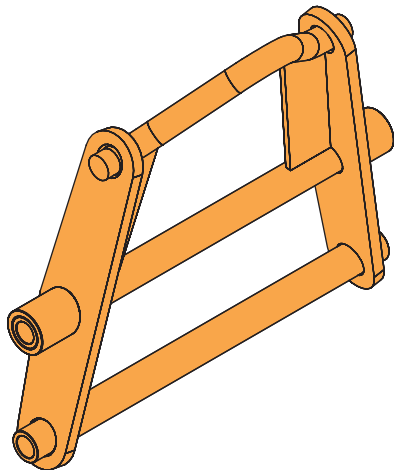


Article no.	Product	Description
464 540	Apron plate	1815x585x44mm, S235JR, with 4 catch plates
464 540 11	Slide profile	40x535x35mm, S235JR
464 540 12	Pressure plate	40x535x10mm, S235JR

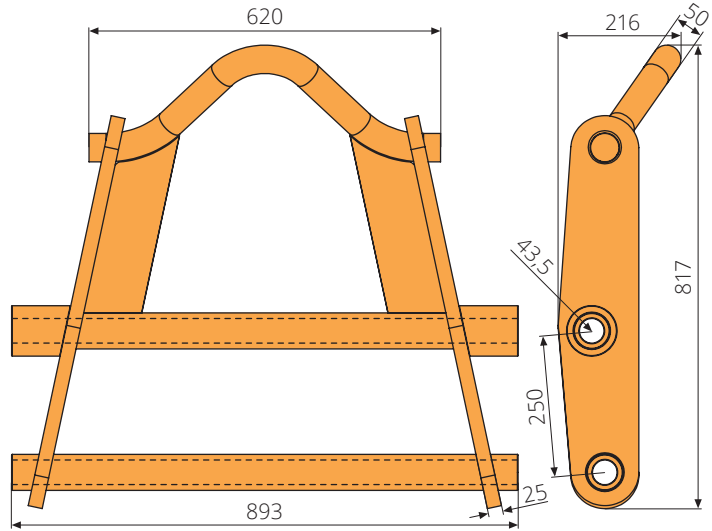


Article no.	Product	Description
464 521	Slide profile	1600x100x14mm, plastic
464 522	Slide profile	1800x100x14mm, plastic
463 590	Filter cartridge	40-97-215mm, 25 micron, paper

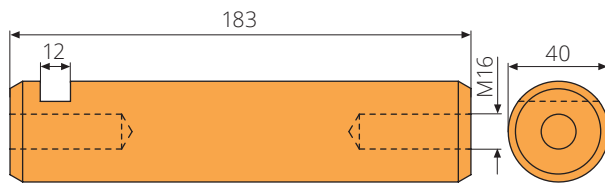
Type TOLLENSE



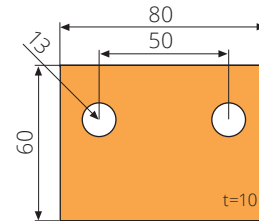
462 920



Article no.	Product	Description
462 920	Hinged lifting bar	50x893mm, S355J2+N

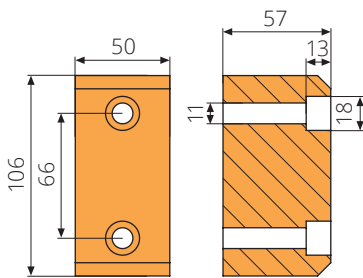


464 702

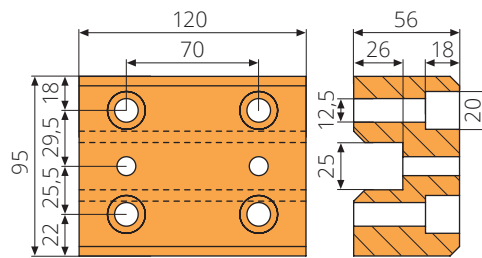


464 703

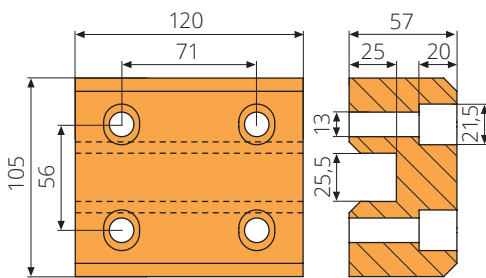
Article no.	Product	Description
464 702	Cylinder Bolt	40x183mm, 42CrMo4, hardened
464 703	Locking plate	80x60x10mm, S235JR



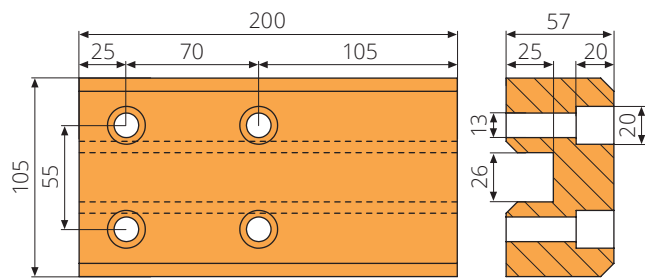
464 709



464 705



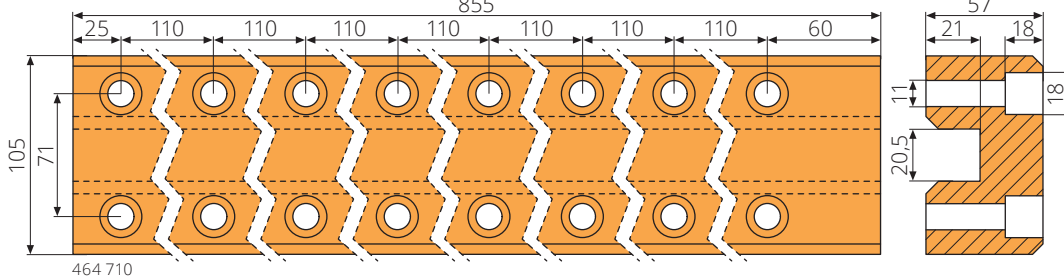
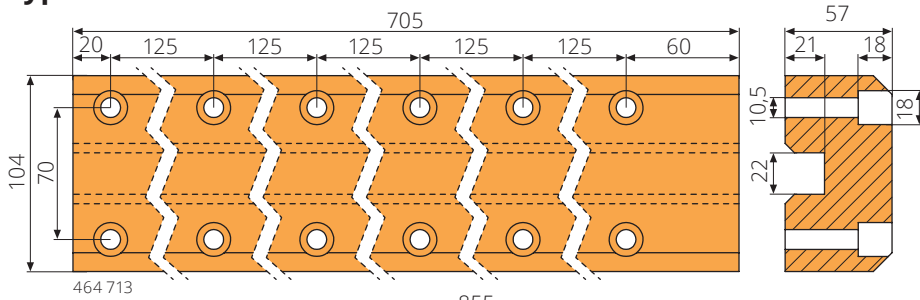
464 711



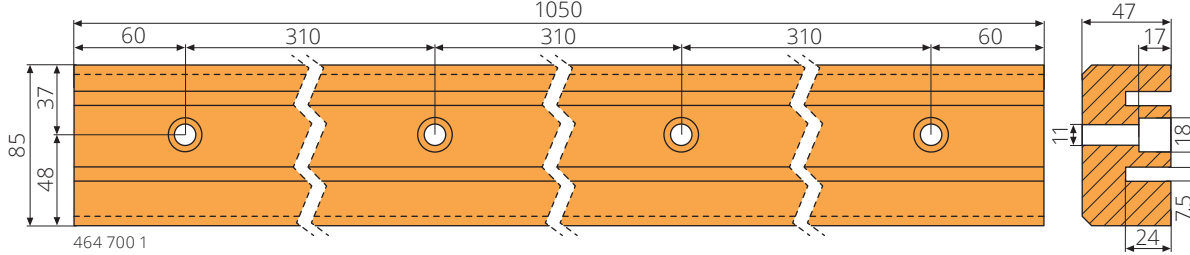
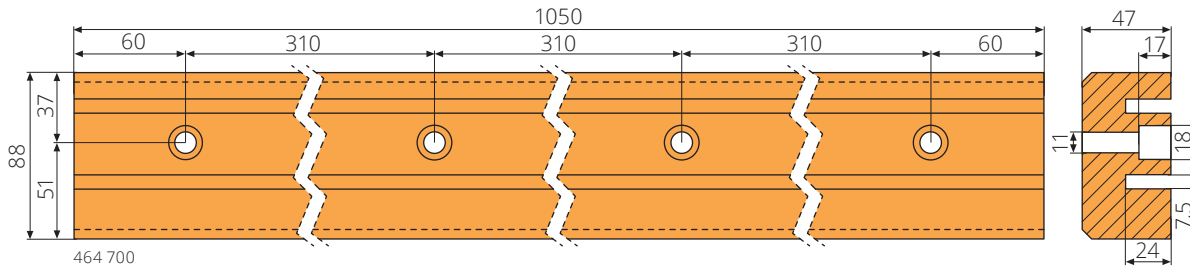
464 711 1

Article no.	Product	Description
464 709	Guide profile	50x106x57mm, plastic
464 705	Guide profile	120x95x56mm, plastic
464 711	Guide profile	120x105x57mm, plastic
464 711 1	Guide profile	200x105x57mm, plastic

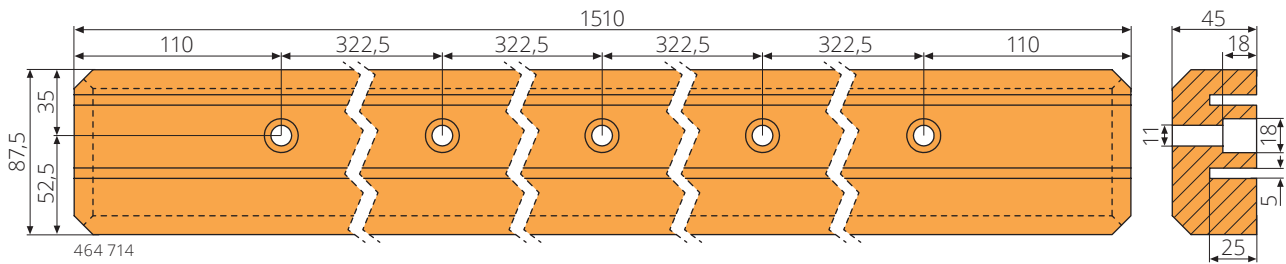
Type TOLLENSE



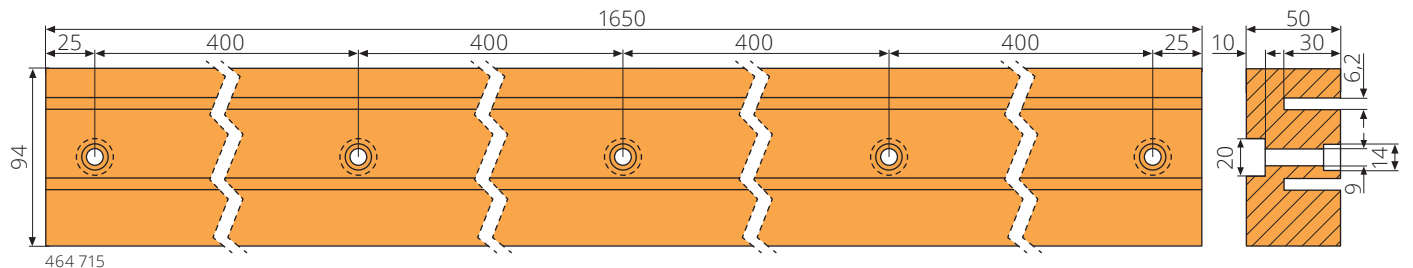
Article no.	Product	Description
464 713	Guide profile	705x104x57mm, plastic
464 710	Guide profile	855x105x57mm, plastic, HK 20.1



Article no.	Product	Description
464 700	Guide profile	1050x88x47mm, plastic
464 700 1	Guide profile	1050x85x47mm, plastic



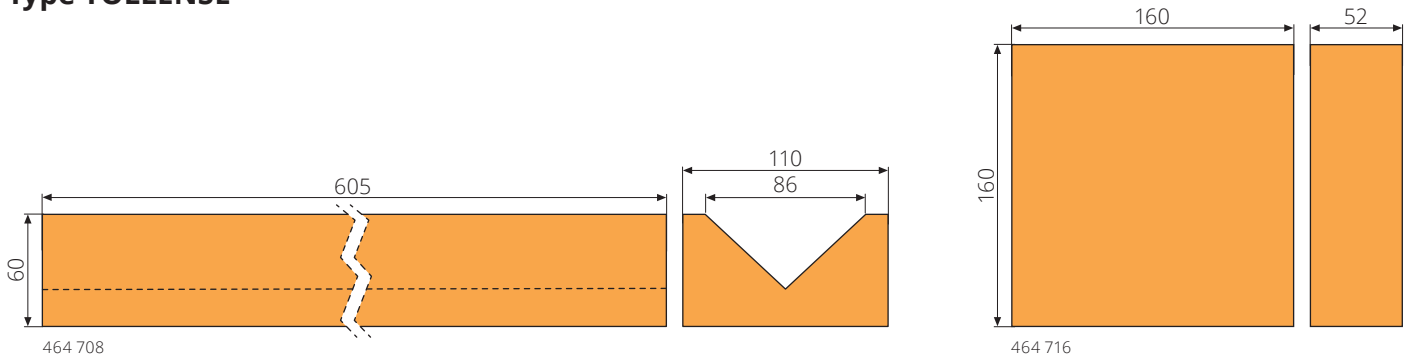
Article no.	Product	Description
464 714	Guide profile	1510x87,5x45mm, plastic



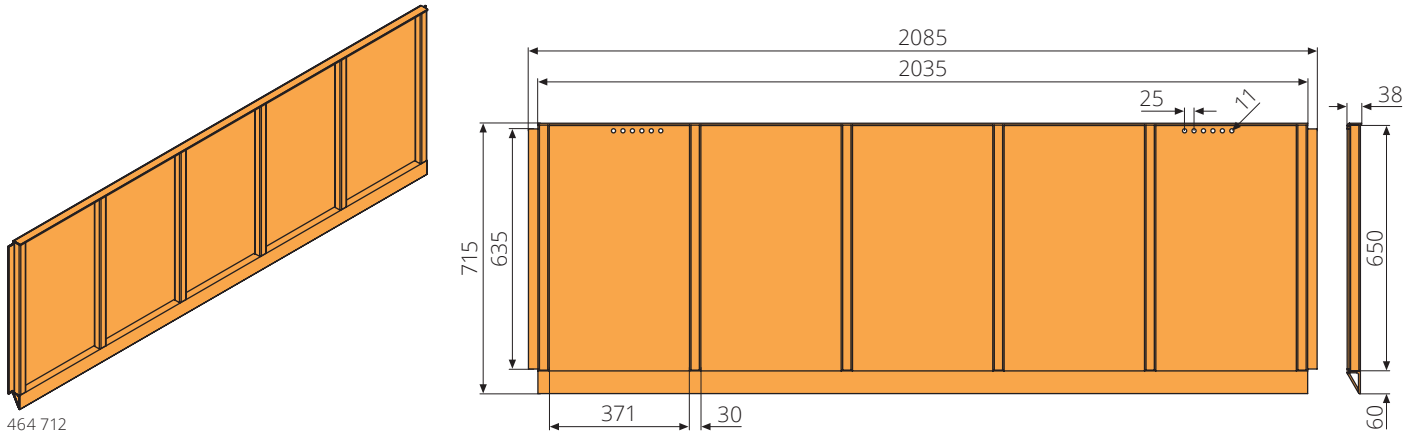
Article no.	Product	Description
464 715	Guide profile	1650x50x94mm, plastic

Type TOLLENSE

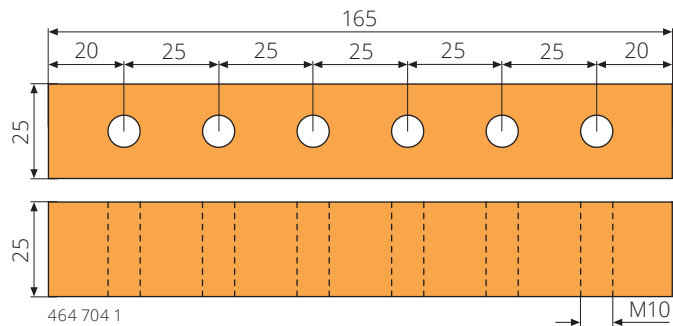
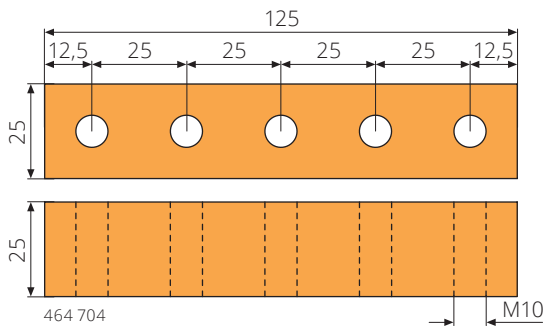
Type TOLLENSE



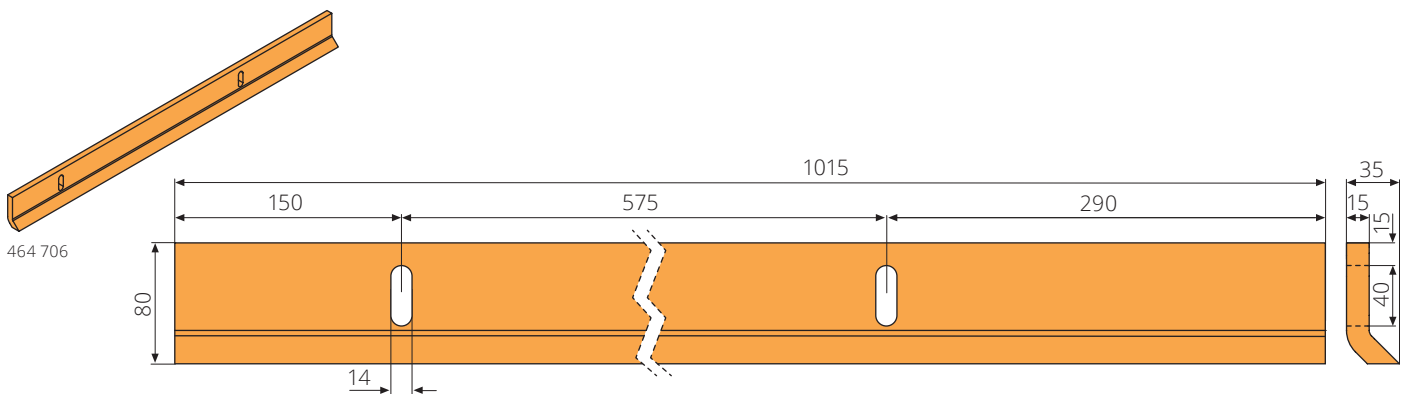
Article no.	Product	Description
464 708	Slide profile	605x60x110mm, plastic
464 716	Slide profile	160x160x52mm, plastic, HK 20.1, 8-12



Article no.	Product	Description
464 712	Apron plate	2085x715x38mm, S235JR

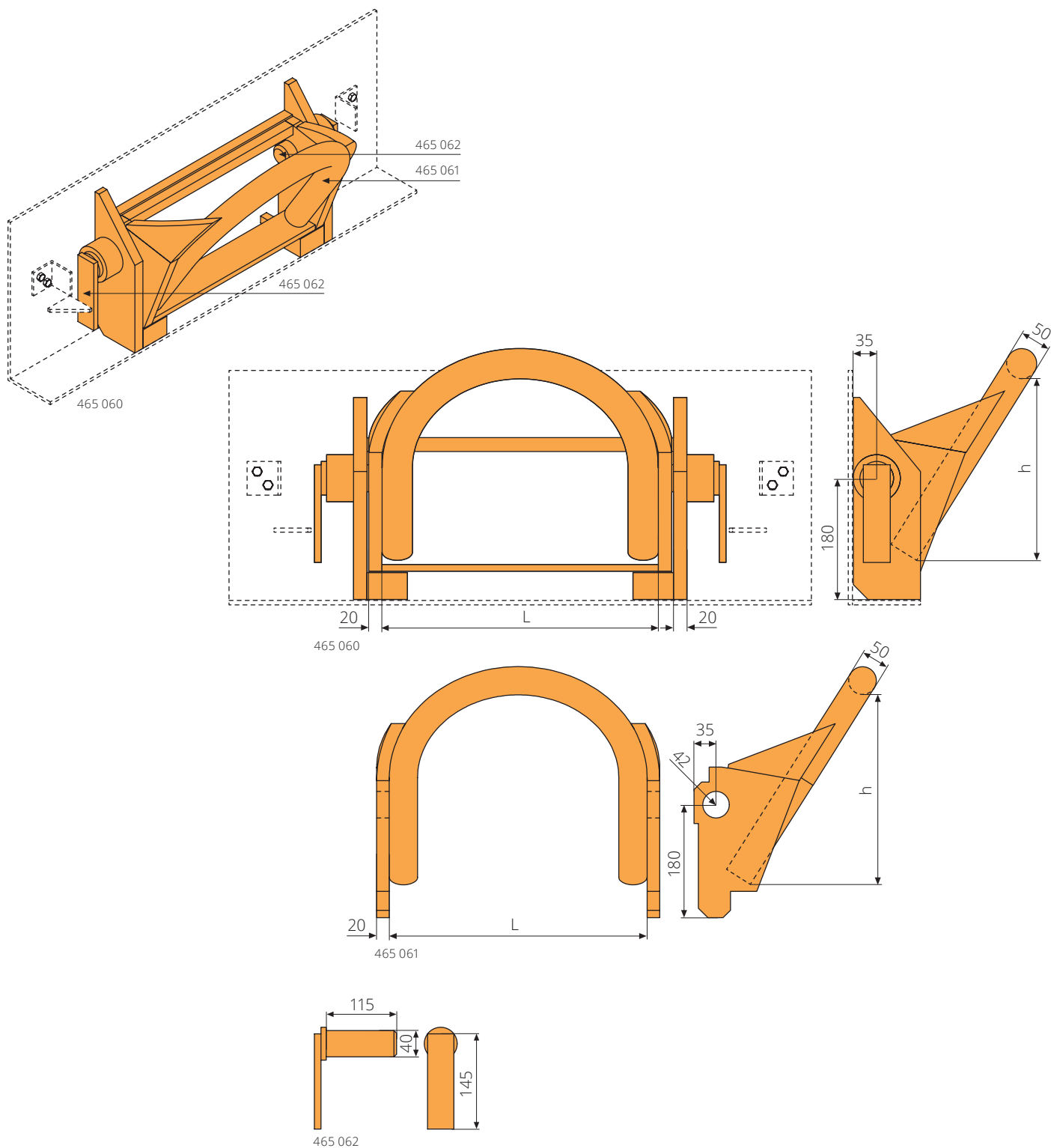


Article no.	Product	Description
464 704	Catch	125x25x25mm, for apron plate, HK 20.1
464 704 1	Catch	165x25x25mm, for apron plate



Article no.	Product	Description
464 706	Scraper	1015x80mm, left, t=15mm, S235JR
464 707	Scraper	1015x80mm, right, t=15mm, S235JR

Type WAGNER



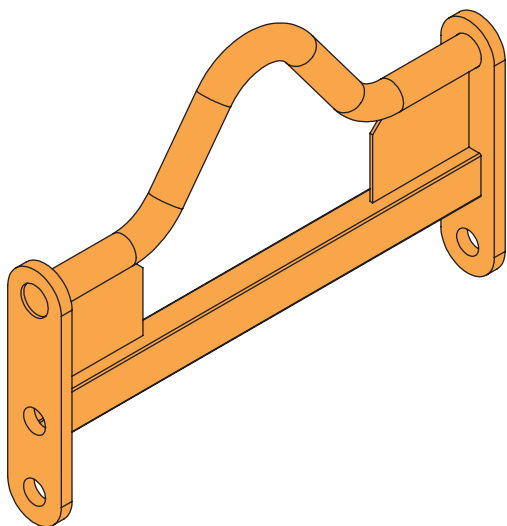
Article no.	Product	Description
465 060	Hinged lifting bar complete	D=50mm, S355J2+N, made to order
465 061	Hinged lifting bar	D=50mm, S355J2+N, made to order
465 062	Bolt	40x115mm

ORDER FORM			
Article no.	h in mm	L in mm	Amount

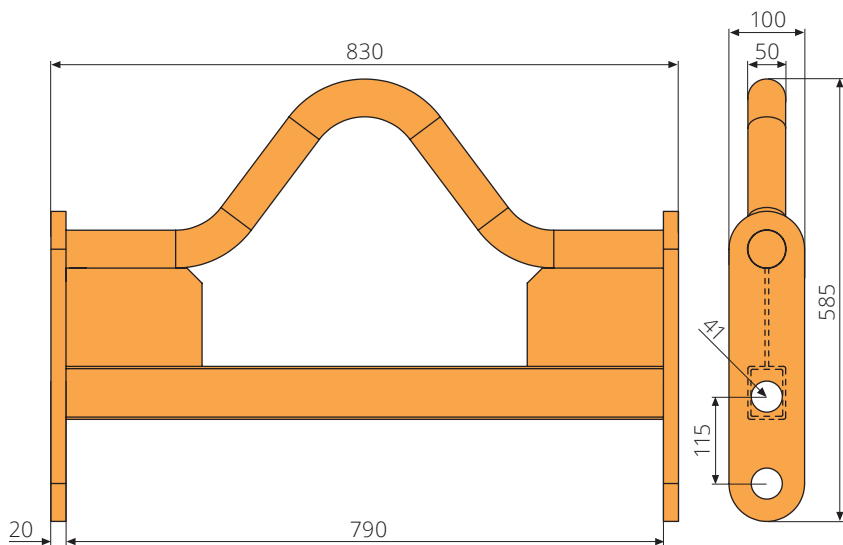
Type WAGNER

NEW

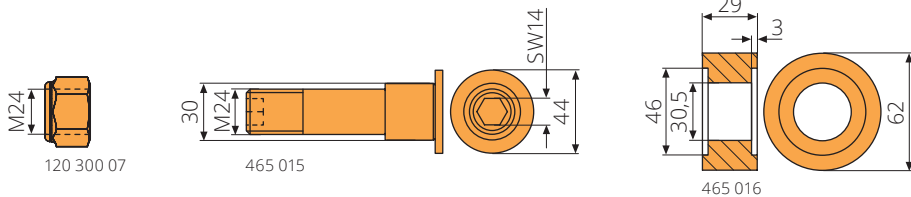
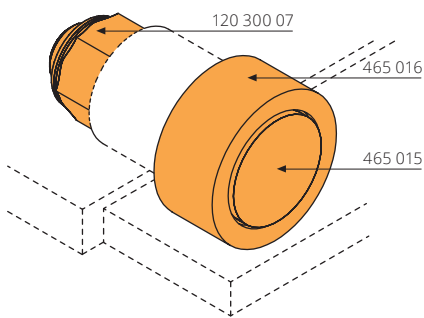
Type WAGNER



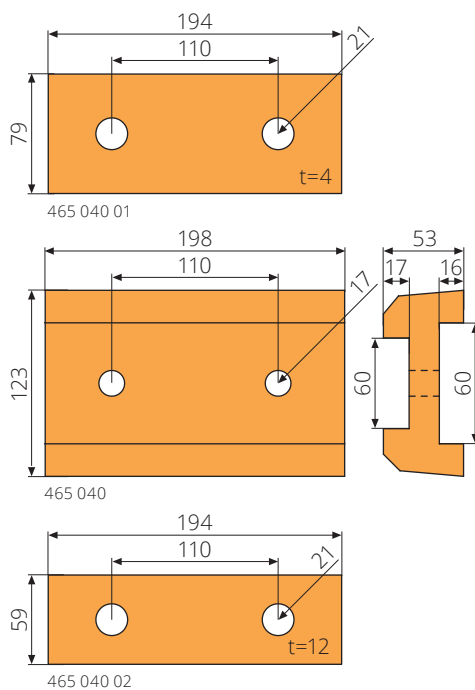
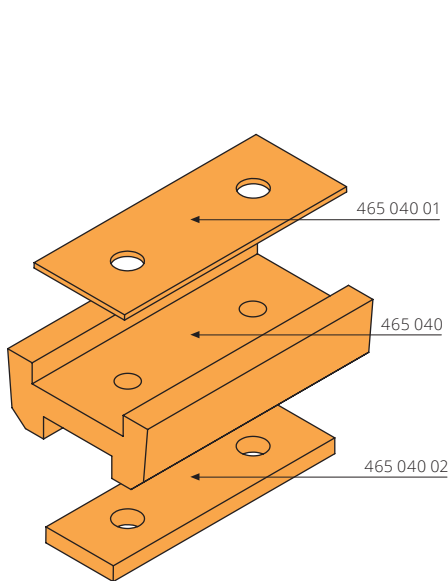
465 063



Article no.	Product	Description
465 063	Hinged lifting bar	50x830mm, S355J2+N, primed

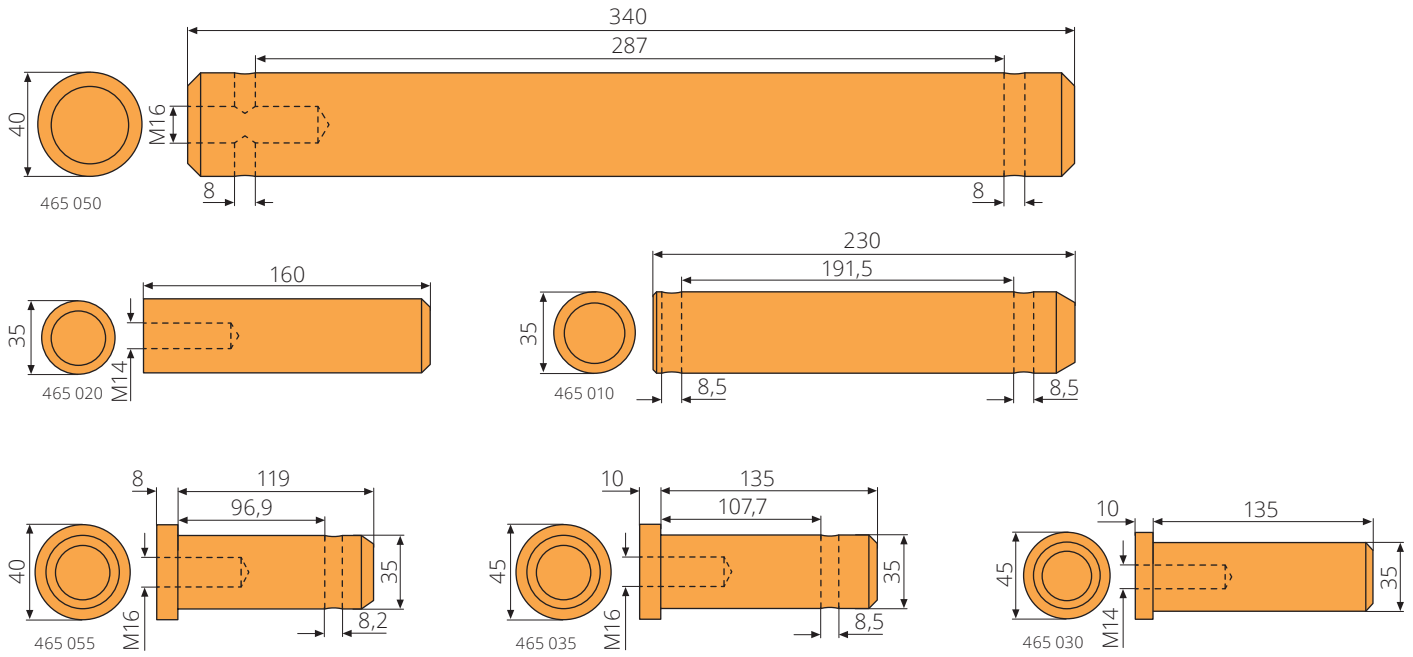


Article no.	Product	Description
465 015	Bolt for track roller	25x104mm, M24, S355J2, WPLM II+IV
120 300 07	Hex head nut	M24, self-locking, galvanized, ISO 7040
465 016	Track roller	30,5/46-62-29mm, PA6, WPLM II+IV

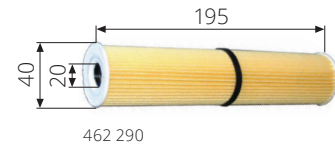
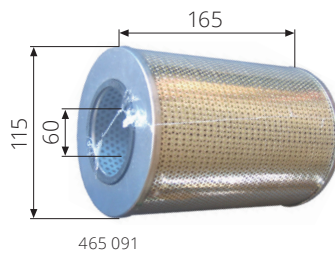
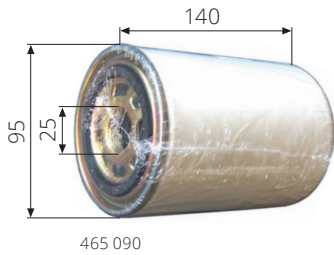


Article no.	Product	Description
465 040 01	Plate	194x79x4mm, top
465 040	Guide profile	198x123x53mm, plastic
465 040 02	Plate	194x59x12mm, bottom

Type WAGNER



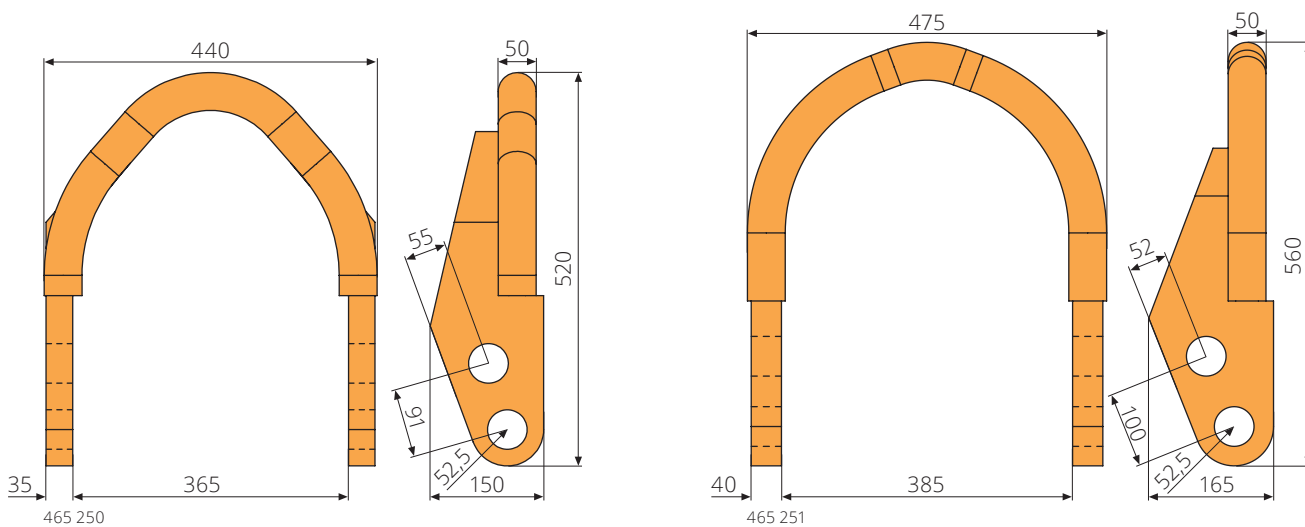
Article no.	Product	Description
465 050	Bolt	40x340mm, M16, 42CrMo4, for stationary compactors
465 020	Bolt	35x160mm, M14, 42CrMo4
465 010	Bolt	35x230mm, 42CrMo4, WPLM IV rear, hardened
465 055	Bolt	35x119mm, M16, 42CrMo4, for mobile compactors
465 035	Bolt	35x135mm, M16, 42CrMo4, WPLM IV front, hardened
465 030	Bolt	35x135mm, M14, 42CrMo4



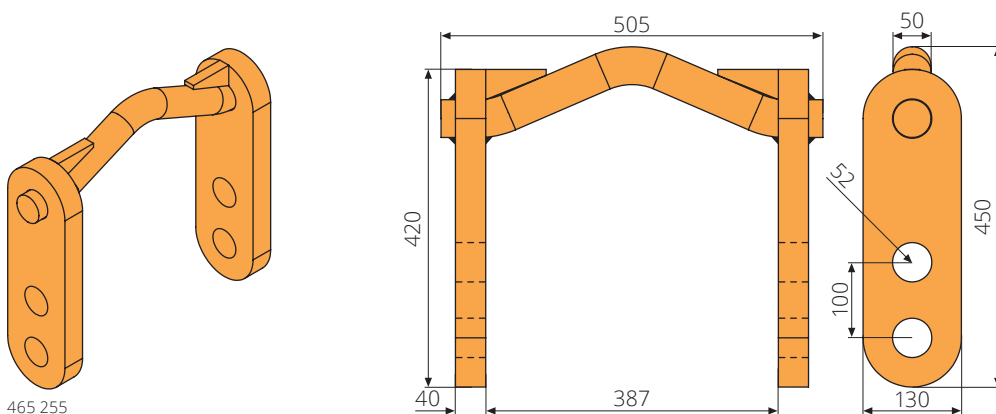
Article no.	Product	Description
465 090	Filter cartridge	25-95-140mm, 10 micron, paper, WPLM
465 091	Filter cartridge	60-115-165mm, 10 micron, paper, for stationary compactors
462 290	Filter cartridge	20-40-195mm, 25 micron, paper

Type WERNER & WEBER

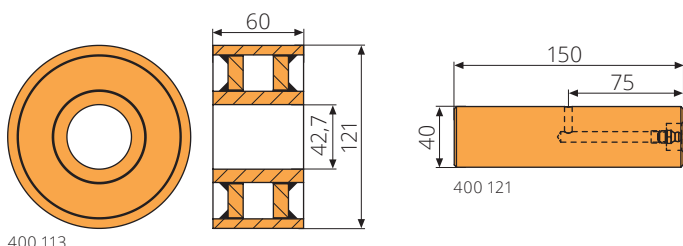
Type WAGNER / Type WERNER & WEBER



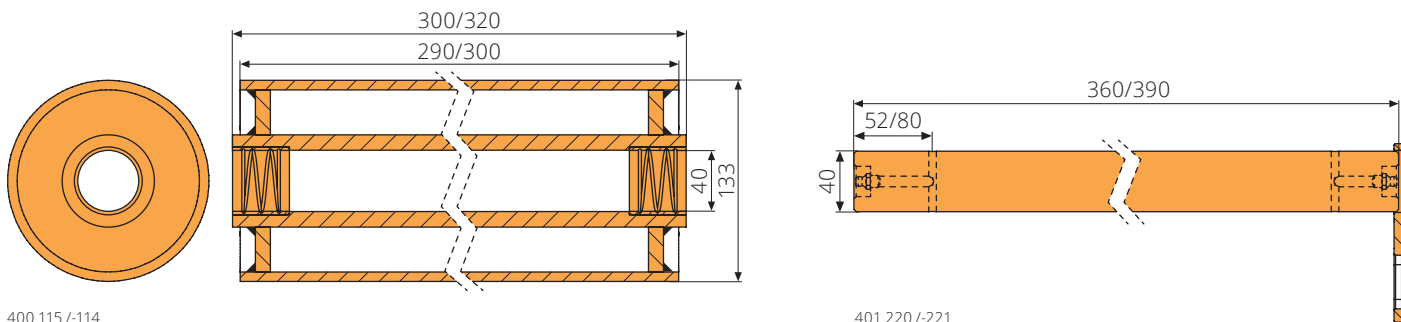
Article no.	Product	Description
465 250	Hinged lifting bar	50x440mm, S355J2+N
465 251	Hinged lifting bar	50x475mm, S355J2+N



Article no.	Product	Description
465 255	Hinged lifting bar	50x505mm, ACTS, S355J2+N



Article no.	Product	Description
400 113	Steel roller	42,7-121-60mm, full sleeve tubing, S355J2, ACTS
400 121	Axle	40x150mm, with lubrication, S355J2, ACTS



Article no.	Product	Description
400 115	Steel roller	40-133-290/300mm, full sleeve tubing, S235JR
401 220	Axle	40x360mm, with lubrication & safety catch, S355J2
400 114	Steel roller	40-133-300/320mm, full sleeve tubing, S235JR
401 221	Axle	40x390mm, with extended lubrication & safety catch, S355J2

Type WERNER & WEBER

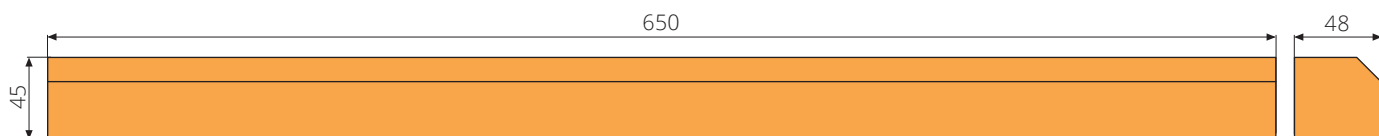


465 202

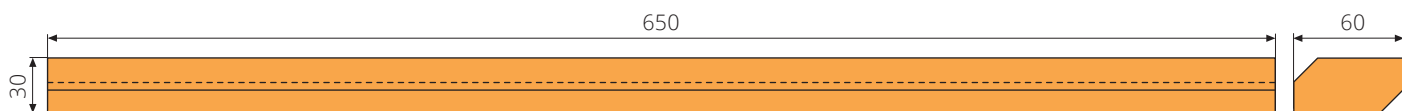


465 203

Article no.	Product	Description
465 202	Slide profile	148x110x40mm, plastic
465 203	Slide profile	1768x110x40mm, plastic

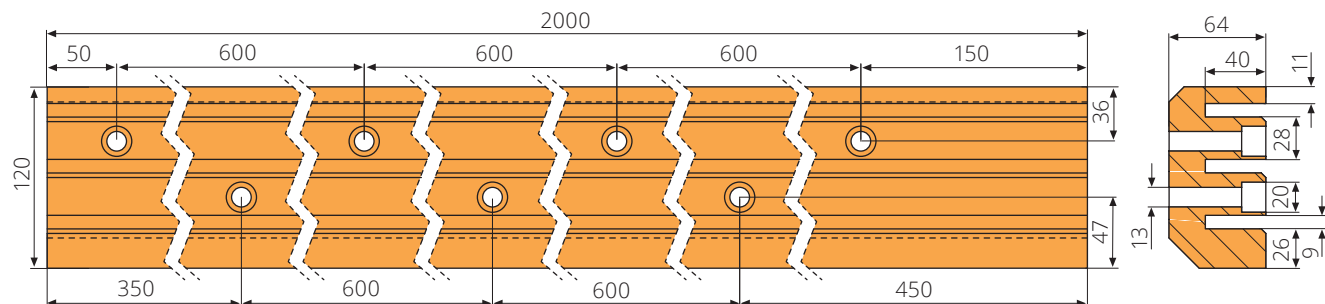


465 200



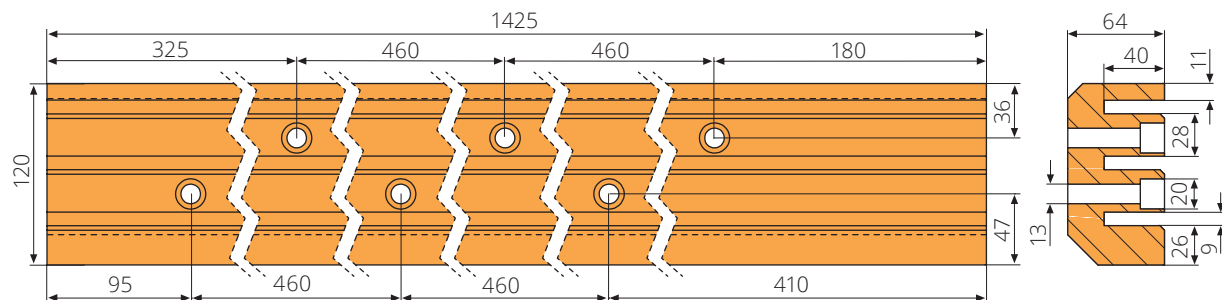
465 201

Article no.	Product	Description
465 200	Slide profile	650x48x45mm, plastic
465 201	Slide profile	650x60x30mm, plastic



465 204

Article no.	Product	Description
465 204	Guide profile	2000x64x120mm, left, plastic
465 205	Guide profile	2000x64x120mm, right, plastic

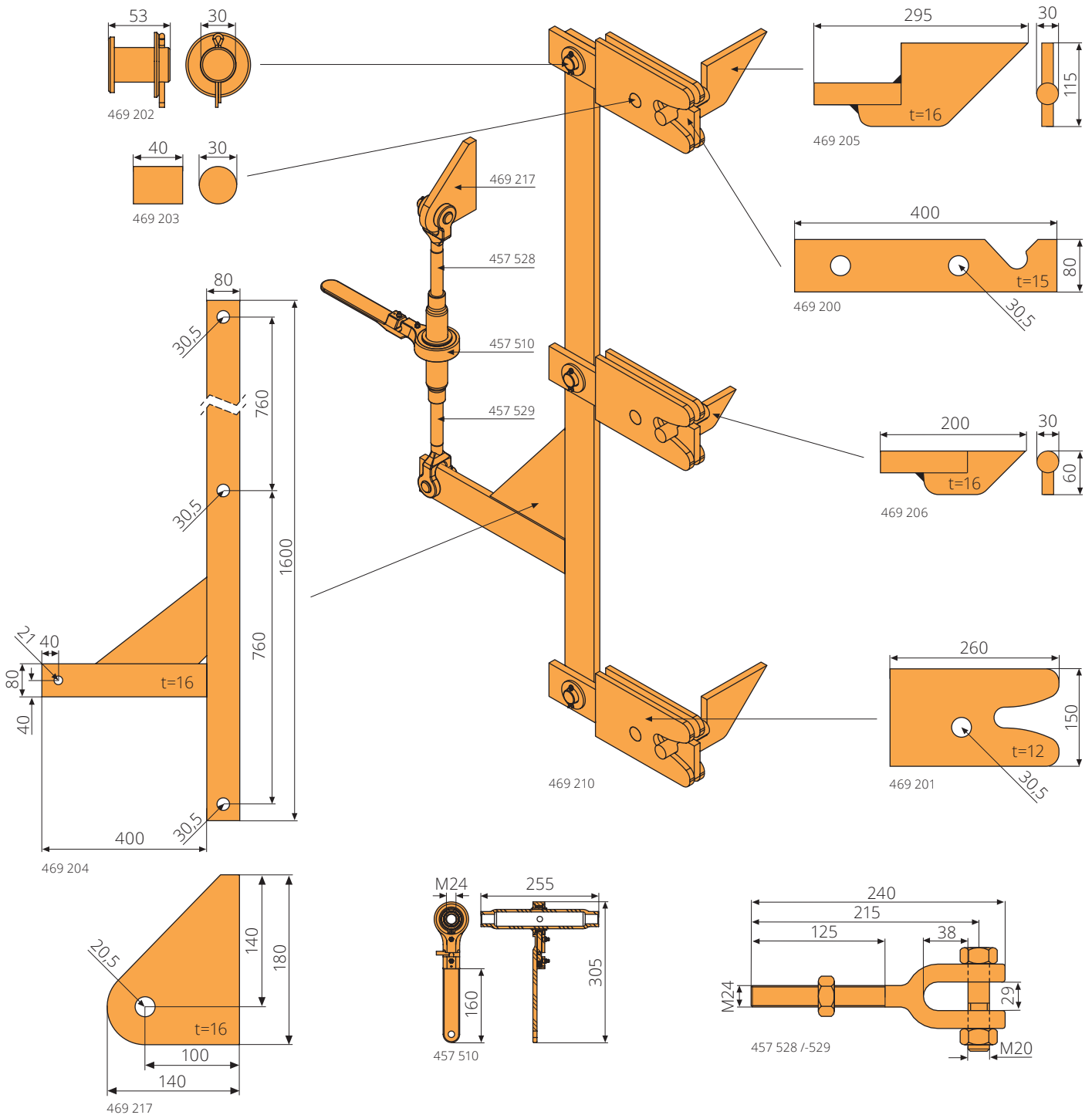


465 206

Article no.	Product	Description
465 206	Guide profile	1425x64x120mm, left, plastic
465 207	Guide profile	1425x64x120mm, right, plastic

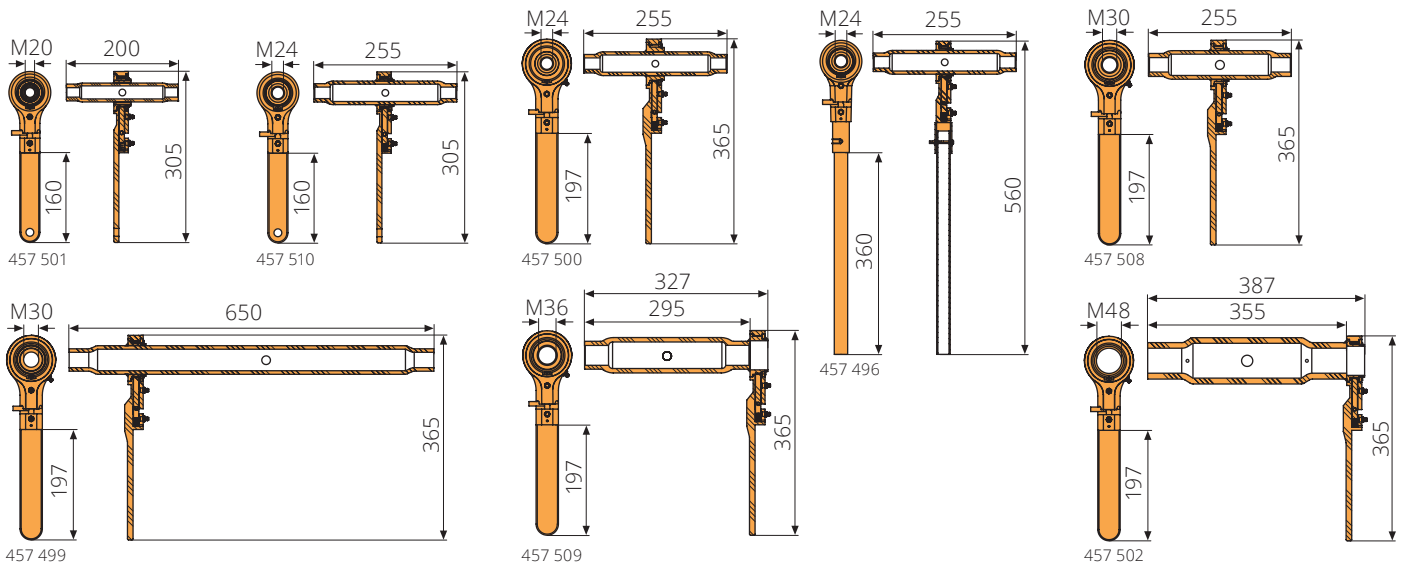
Door locking system

Type WERNER & WEBER / Door locking system

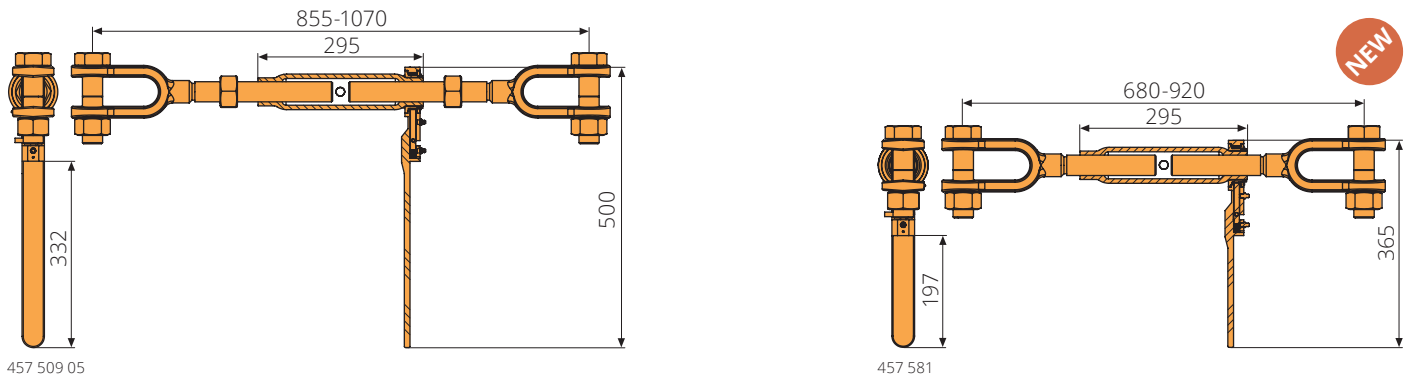


Article no.	Product	Description
469 210	Door locking system complete	type AVERMANN
Article no.	Product	Description
469 200	Rotary arm	400x80x15mm, S355J2
469 201	Welding plate	260x150x12mm, S355J2
469 202	Bolt	30x53mm, with washer & cotter pin, S355J2
469 203	Welding bolt	30x40mm, S355J2
469 204	Locking bar	1600x400mm, S355J2
469 205	Mounting bolt	295x115mm, long, S355J2
469 206	Mounting bolt	200x60mm, short, S355J2
469 217	Welding platet	180x16mm, S355J2
457 510	Ratchet	M24, turnbuckle L=255mm, handle L=160mm, for compactors, galvanized
457 528	Clevis	M24x240mm, left-hand thread, galvanized, forged, with bolt & nuts
457 529	Clevis	M24x240mm, right-hand thread, galvanized, forged, with bolt & nuts

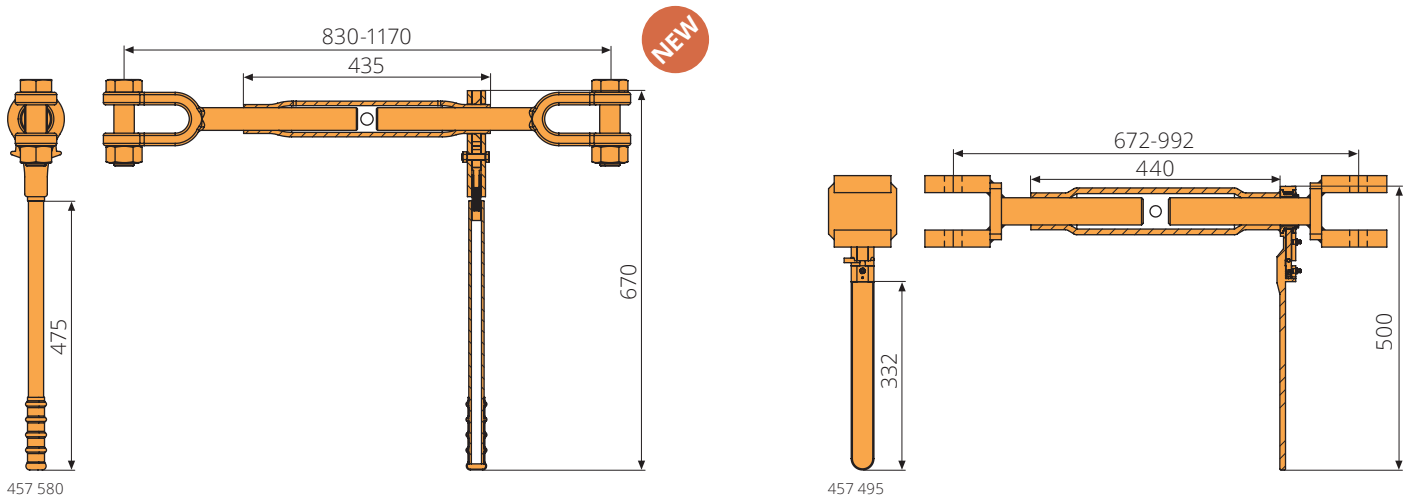
Ratchets



Article no.	Product	Description
457 501	Ratchet	M20, turnbuckle L=200mm, handle L=160mm, for compactors, type LOTUS, galvanized
457 510	Ratchet	M24, turnbuckle L=255mm, handle L=160mm, for compactors, galvanized
457 500	Ratchet	M24, turnbuckle L=255mm, handle L=197mm, for compactors, galvanized
457 496	Ratchet	M24, turnbuckle L=255mm, handle L=360mm, for swap containers, type HÜFFERMANN, galvanized
457 508	Ratchet	M30, turnbuckle L=255mm, handle L=197mm, for compactors, galvanized
457 499	Ratchet	M30, turnbuckle L=650mm, handle L=197mm, for stationary compactors, galvanized
457 509	Ratchet	M36, turnbuckle L=295mm, handle L=197mm, for compactors, galvanized
457 502	Ratchet	M48, turnbuckle L=355mm, handle L=197mm, for stationary compactors, galvanized

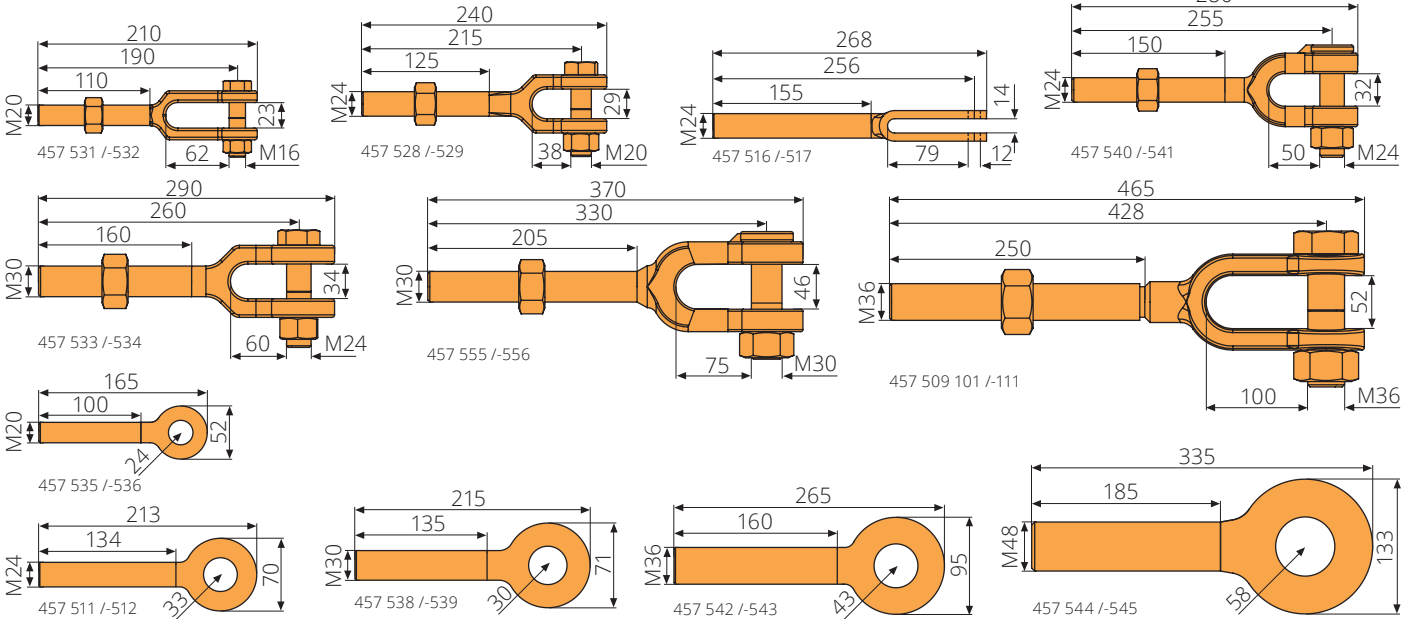


Article no.	Product	Description
457 509 05	Ratchet with clevises	M36, turnbuckle L=295mm, handle L=332mm, with clevises 457 509 101 /-509 111, galvanized
457 581	Ratchet with clevises	M36, turnbuckle L=295mm, handle L=197mm, with clevises, galvanized

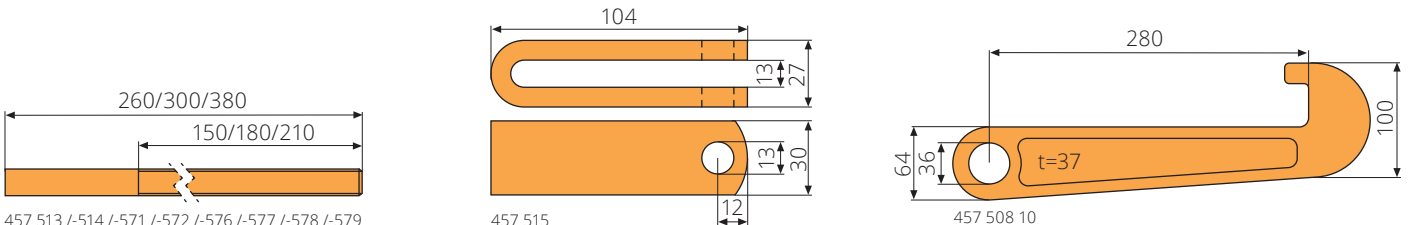


Article no.	Product	Description
457 580	Ratchet with clevises	M40, turnbuckle L=435mm, handle L=465mm, with clevises, galvanized
457 495	Ratchet with clevises	TR48, turnbuckle L=440mm, handle L=332mm, with clevises with trapezoidal thread, galvanized

Clevises / Threaded eyes / Threaded rods

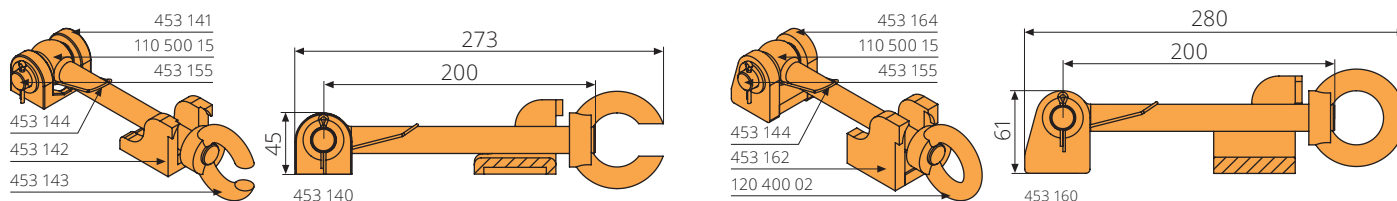


Article no.	Product	Description
457 531	Clevis	M20x210mm, left-hand thread, galvanized, with bolt & nuts
457 532	Clevis	M20x210mm, right-hand thread, galvanized, with bolt & nuts
457 528	Clevis	M24x240mm, left-hand thread, galvanized, forged, with bolt & nuts
457 529	Clevis	M24x240mm, right-hand thread, galvanized, forged, with bolt & nuts
457 516	Clevis	M24x268mm, left-hand thread, galvanized
457 517	Clevis	M24x268mm, right-hand thread, galvanized
457 540	Clevis	M24x280mm, left-hand thread, galvanized, forged, with locking lug, bolt & nut
457 541	Clevis	M24x280mm, right-hand thread, galvanized, forged, with locking lug, bolt & nuts
457 533	Clevis	M30x290mm, left-hand thread, galvanized, with bolt & nuts
457 534	Clevis	M30x290mm, right-hand thread, galvanized, with bolt & nuts
457 555	Clevis	M30x370mm, left-hand thread, galvanized, forged, with locking lug, bolt & nuts
457 556	Clevis	M30x370mm, right-hand thread, galvanized, forged, with locking lug, bolt & nuts
457 509 101	Clevis	M36x465mm, left-hand thread, galvanized, forged, with bolt & nuts
457 509 111	Clevis	M36x465mm, right-hand thread, galvanized, forged, with bolt & nuts
457 535	Threaded eye	M20x165mm, left-hand thread, galvanized, d=24mm
457 536	Threaded eye	M20x165mm, right-hand thread, galvanized, d=24mm
457 511	Threaded eye	M24x213mm, left-hand thread, galvanized, d=33mm
457 512	Threaded eye	M24x213mm, right-hand thread, galvanized, d=33mm
457 538	Threaded eye	M30x215mm, left-hand thread, galvanized, d=30mm
457 539	Threaded eye	M30x215mm, right-hand thread, galvanized, d=30mm
457 542	Threaded eye	M36x265mm, left-hand thread, galvanized, d=43mm
457 543	Threaded eye	M36x265mm, right-hand thread, galvanized, d=43mm
457 544	Threaded eye	M48x335mm, left-hand thread, galvanized, d=58mm
457 545	Threaded eye	M48x335mm, right-hand thread, galvanized, d=58mm



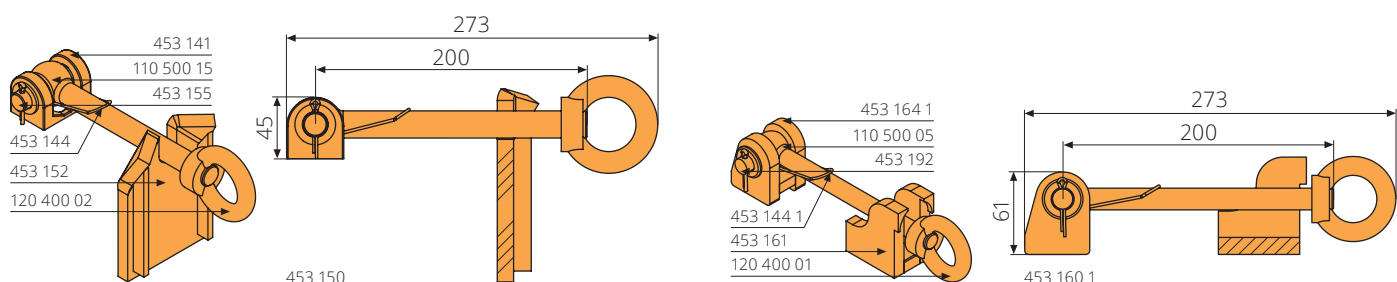
Article no.	Product	Description
457 513	Threaded rod	M24x260mm, left-hand thread, DIN 34828
457 514	Threaded rod	M24x260mm, right-hand thread, DIN 34828
457 571	Threaded rod	M30x260mm, left-hand thread, DIN 34828
457 572	Threaded rod	M30x260mm, right-hand thread, DIN 34828
457 576	Threaded rod	M36x260mm, left-hand thread, DIN 34828
457 577	Threaded rod	M36x260mm, right-hand thread, DIN 34828
457 578	Threaded rod	M48x260mm, left-hand thread, DIN 34828
457 579	Threaded rod	M48x260mm, right-hand thread, DIN 34828
457 515	Clevis head	104x30mm
457 508 10	Hook	280x37mm, galvanized

Tailgate locks



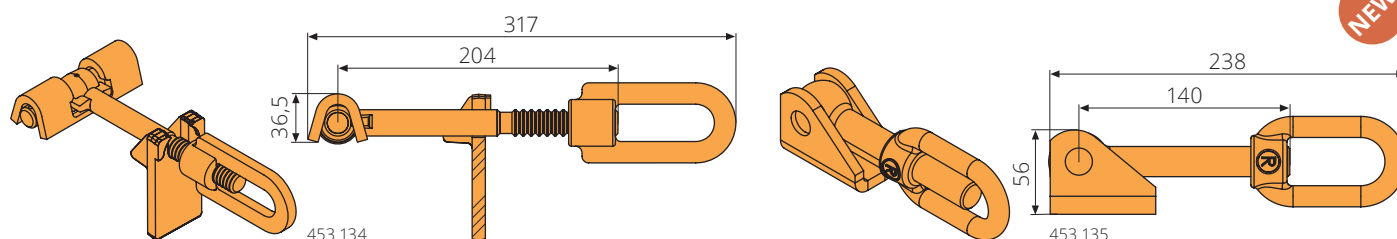
Article no.	Product	Description
453 140	Tailgate lock complete	M20, flat version, retaining spring
453 160	Tailgate lock complete	M20, with retaining spring

Article no.	Product	Description
453 141	Container bracket	for M20, flat version, cast steel
453 164	Container bracket	for M20
453 155	Pin	18x75mm, for eye bolt M20, galvanized, with cotter pin & washer
453 144	Retaining spring	d=21mm, wire D=2mm, galvanized
110 500 15	Eyebolt	M20x200mm, galvanized, continuous thread, DIN 444
453 143	Ring nut with slit	M20, galvanized, slit 24mm
120 400 02	Ring nut	M20, galvanized, DIN 582
453 142	Door bracket	for M20, flat Version, cast steel
453 162	Door bracket	for M20



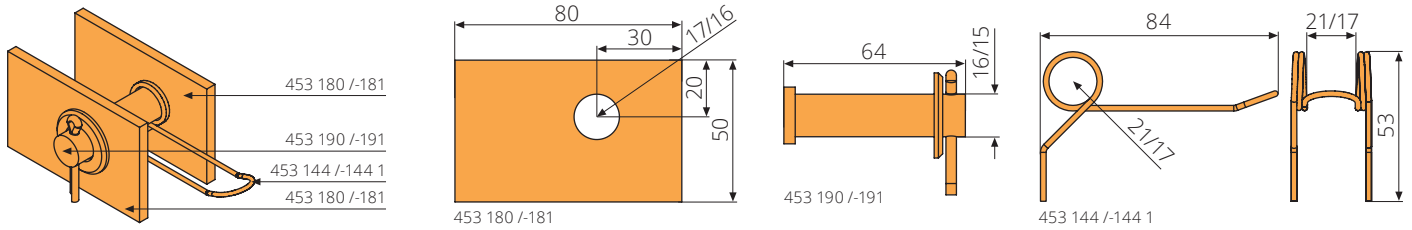
Article no.	Product	Description
453 150	Tailgate lock complete	M20, with retaining spring
453 160 1	Tailgate lock complete	M16, with retaining spring

Article no.	Product	Description
453 141	Container bracket	for M20, flat version, cast steel
453 164 1	Container bracket	for M16
453 155	Pin	18x75mm, for eye bolt M20, galvanized, with cotter pin & washer
453 192	Pin	15x70mm, for eye bolt M16, with cotter pin & washer
453 144	Retaining spring	d=21mm, wire D=2mm, galvanized
453 144 1	Retaining spring	d=17mm, for M16, wire D=2mm, galvanized
110 500 15	Eyebolt	M20x200mm, galvanized, continuous thread, DIN 444
110 500 05	Eyebolt	M16x200mm, galvanized, DIN 444
120 400 02	Ring nut	M20, galvanized, DIN 582
120 400 01	Ring nut	M16, galvanized, DIN 582
453 152	Door bracket	for M20
453 161	Door bracket	for M16, cast steel

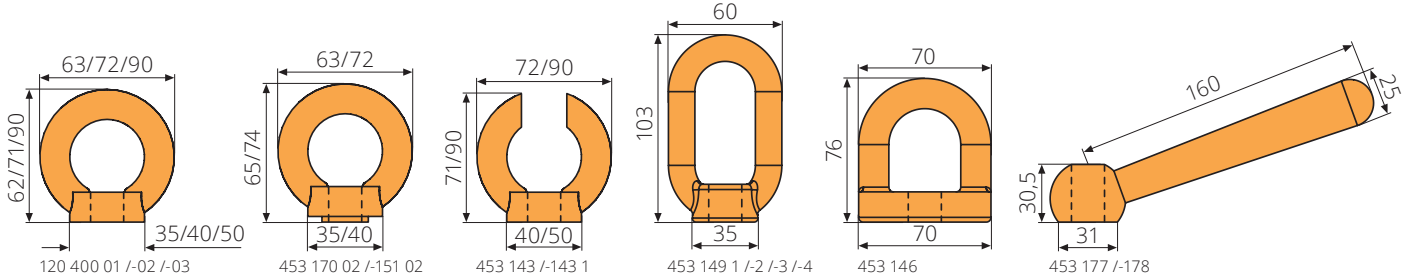
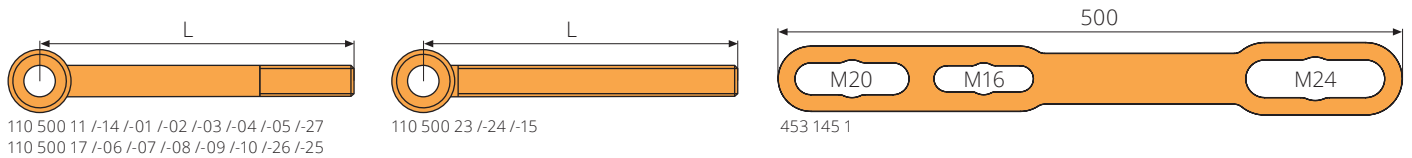


Article no.	Product	Description
453 134	Tailgate lock complete	TR20x4mm, trapezoidal thread
453 135	Tailgate lock complete	M20, with retaining spring

Tailgate locks in parts / Accessories

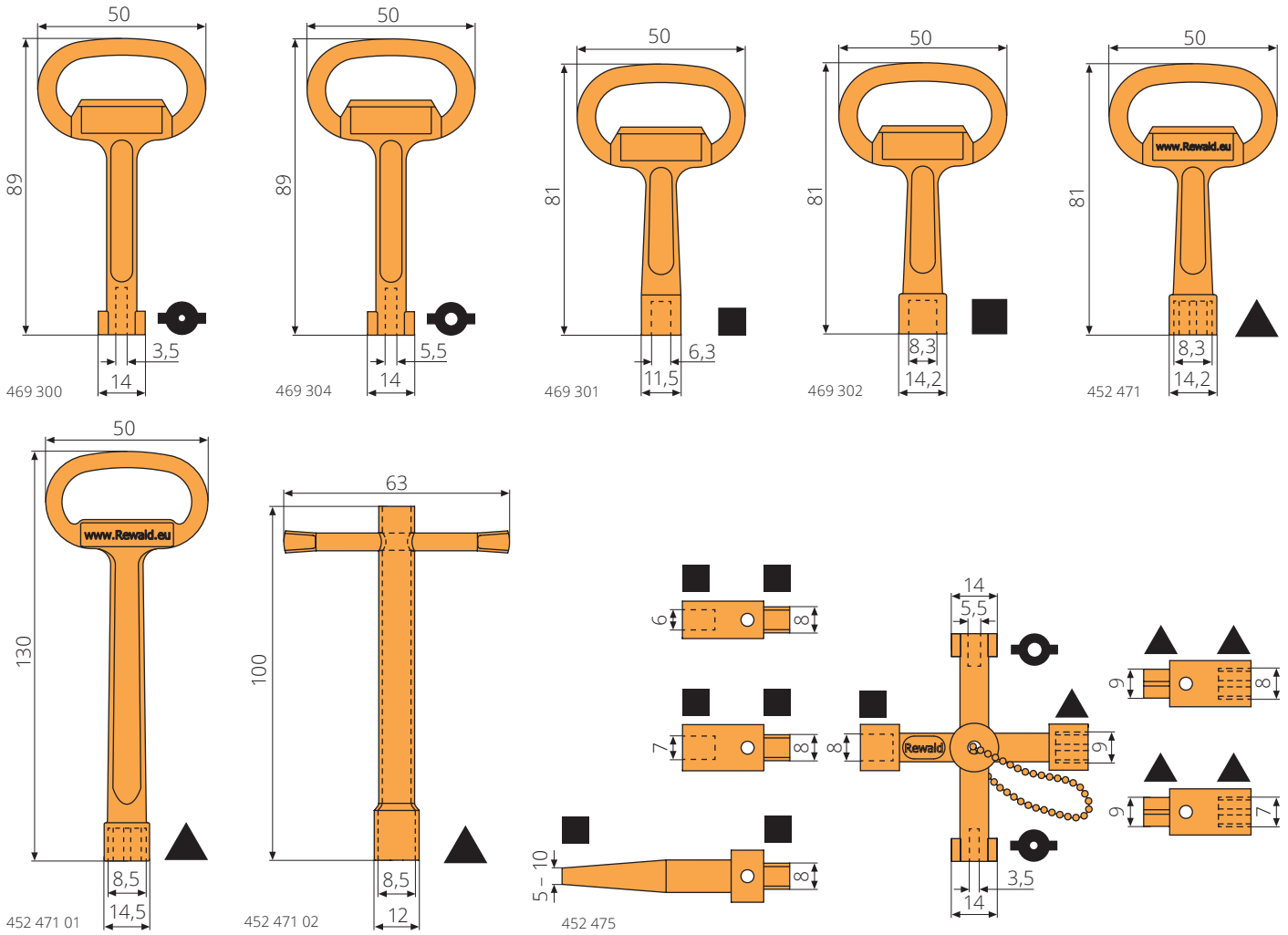


Article no.	Product	Description
453 180	Mounting plate	d=17mm, for M20
453 181	Mounting plate	d=16mm, for M16
453 190	Pin	16x64mm, for M20, with cotter pin & washer
453 191	Pin	15x64mm, for M16, with cotter pin & washer
453 144	Retaining spring	d=21mm, wire D=2mm, galvanized
453 144 1	Retaining spring	d=17mm, for M16, wire D=2mm, galvanized

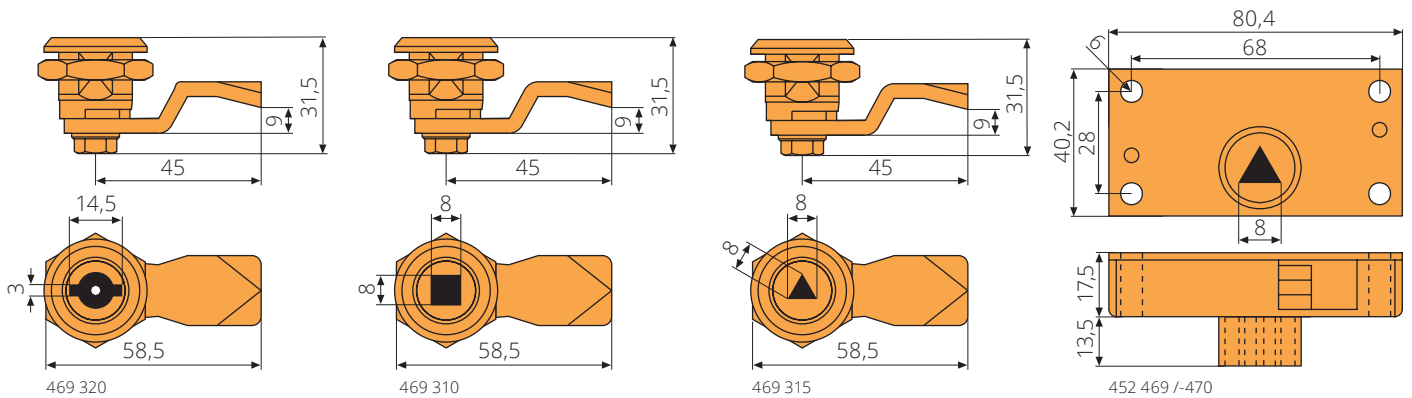


Article no.	Product	Description
110 500 11	Eyebolt	M12x70mm, DIN 444
110 500 14	Eyebolt	M16x70mm, DIN 444
110 500 01	Eyebolt	M16x120mm, galvanized, DIN 444
110 500 02	Eyebolt	M16x140mm, galvanized, DIN 444
110 500 03	Eyebolt	M16x160mm, galvanized, DIN 444
110 500 04	Eyebolt	M16x180mm, galvanized, DIN 444
110 500 05	Eyebolt	M16x200mm, galvanized, DIN 444
110 500 24	Eyebolt	M16x200mm, galvanized, continuous thread, DIN 444
110 500 27	Eyebolt	M18x200mm, galvanized, DIN 444
110 500 17	Eyebolt	M20x100mm, galvanized, DIN 444
110 500 06	Eyebolt	M20x120mm, galvanized, DIN 444
110 500 07	Eyebolt	M20x140mm, galvanized, DIN 444
110 500 08	Eyebolt	M20x160mm, galvanized, DIN 444
110 500 09	Eyebolt	M20x180mm, galvanized, DIN 444
110 500 15	Eyebolt	M20x200mm, galvanized, continuous thread, DIN 444
110 500 10	Eyebolt	M20x220mm, galvanized, DIN 444
110 500 23	Eyebolt	M24x180mm, galvanized, continuous thread, DIN 444
110 500 26	Eyebolt	M24x250mm, galvanized, eye d=25mm
110 500 25	Eyebolt	M24x270mm, galvanized, DIN 444
120 400 01	Ring nut	M16, galvanized, DIN 582
453 170 02	Ring nut with collar	M16, galvanized, collar 3x18mm
453 149 1	Ring nut	M16
453 149 2	Ring nut	M18
120 400 02	Ring nut	M20, galvanized, DIN 582
453 151 02	Ring nut with collar	M20, galvanized, collar 3x22mm
453 143	Ring nut with slit	M20, galvanized, slit 24mm
453 149 3	Ring nut	M20
453 146	Ring nut	M20, galvanized
120 400 03	Ring nut	M24, galvanized, DIN 582
453 143 1	Ring nut with slit	M24, galvanized, slit 28mm
453 149 4	Ring nut	M24
453 145 1	Key for ring nuts	500x50x12mm, for M16, M20 & M24, galvanized
453 177	Nut with handle	M16, galvanized
453 178	Nut with handle	M20, galvanized

Locks & Keys



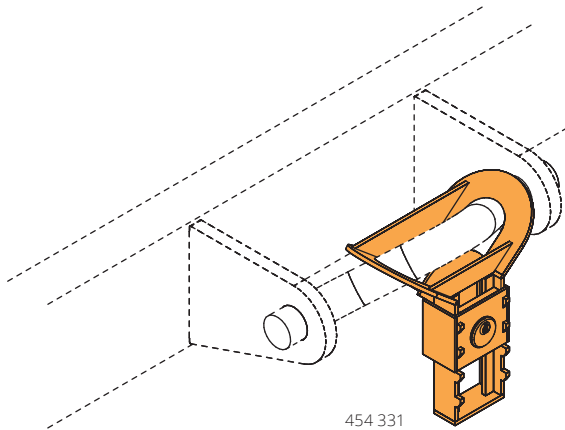
Article no.	Product	Description
469 300	Double bit key	3x14mm, L=89mm, zinc die casting
469 304	Double bit key	5x14mm, L=89mm, zinc die casting
469 301	Square key	6x11,5mm, L=81mm, internal, zinc die casting
469 302	Square key	8x14,2mm, L=81mm, internal, zinc die casting
452 471	Triangular key	8,3x14,2mm, internal, zinc die casting
452 471 01	Triangular key	8,5x14,5mm, internal, L=130mm, zinc die casting
452 471 02	Triangular key	8,5x12mm, internal, L=100mm, galvanized
452 475	Multi way key	zinc die casting, 9 functions, 5 adapters



Article no.	Product	Description
469 320	Double bit lock	3mm, 45mm tongue, cranking 9mm, galvanized
469 310	Square lock	8mm, 45mm tongue, cranking 9mm, galvanized
469 315	Triangular lock	8mm, 45mm tongue, cranking 9mm, galvanized
452 469	Triangular lock	8mm, open-closed, galvanized
452 470	Triangular lock	8mm, automatic lock, galvanized

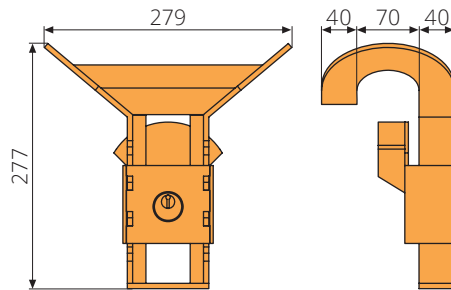
Anti theft & Locking device for lifting bar

- mobil & für verschieden geformte Bügel D=50/60
- mit IKON Schließzylinder & 2 Schlüsseln
- verhindert nach Anbringung eine unbefugte Aufnahme
- als gleichschließende Version mit Aufpreis erhältlich



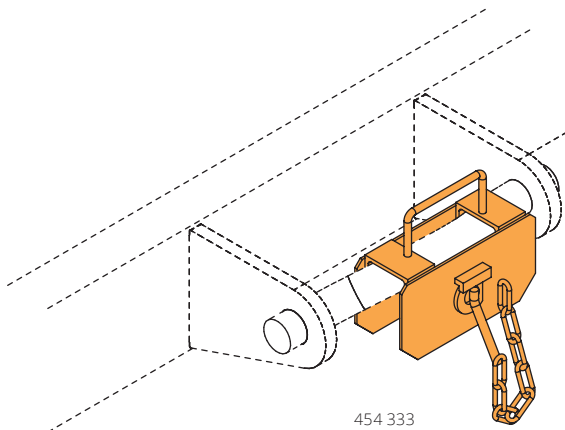
454 331

DE-Patent DE 10 2005 031 205.5

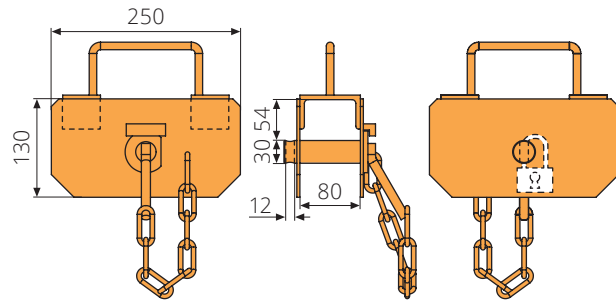


Article no.	Product	Description
454 331	Anti theft device	for roll-off containers, with locking cylinder type IKON & 2 keys, S355J2, galvanized
454 332	Additional charge for multiple locks	

- mobil & für verschieden geformte Bügel D=50/60
- kennzeichnet besetzte Container
- optional mit einem Vorhängeschloss gegen Diebstahl zu sichern

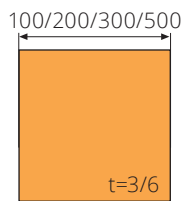


454 333

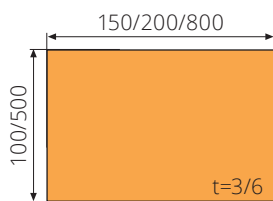


Article no.	Product	Description
454 333	Locking device for lifting bar	for roll-off containers, S355J2, galvanized

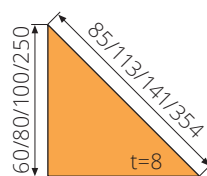
Repair sheets



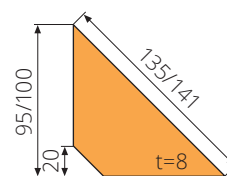
459 083 /-082 /-081 /-050



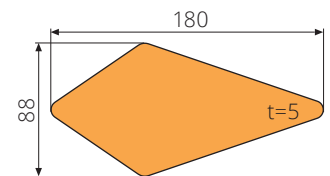
459 085 /-084 /-051



459 189 /-187 /-188 /-186



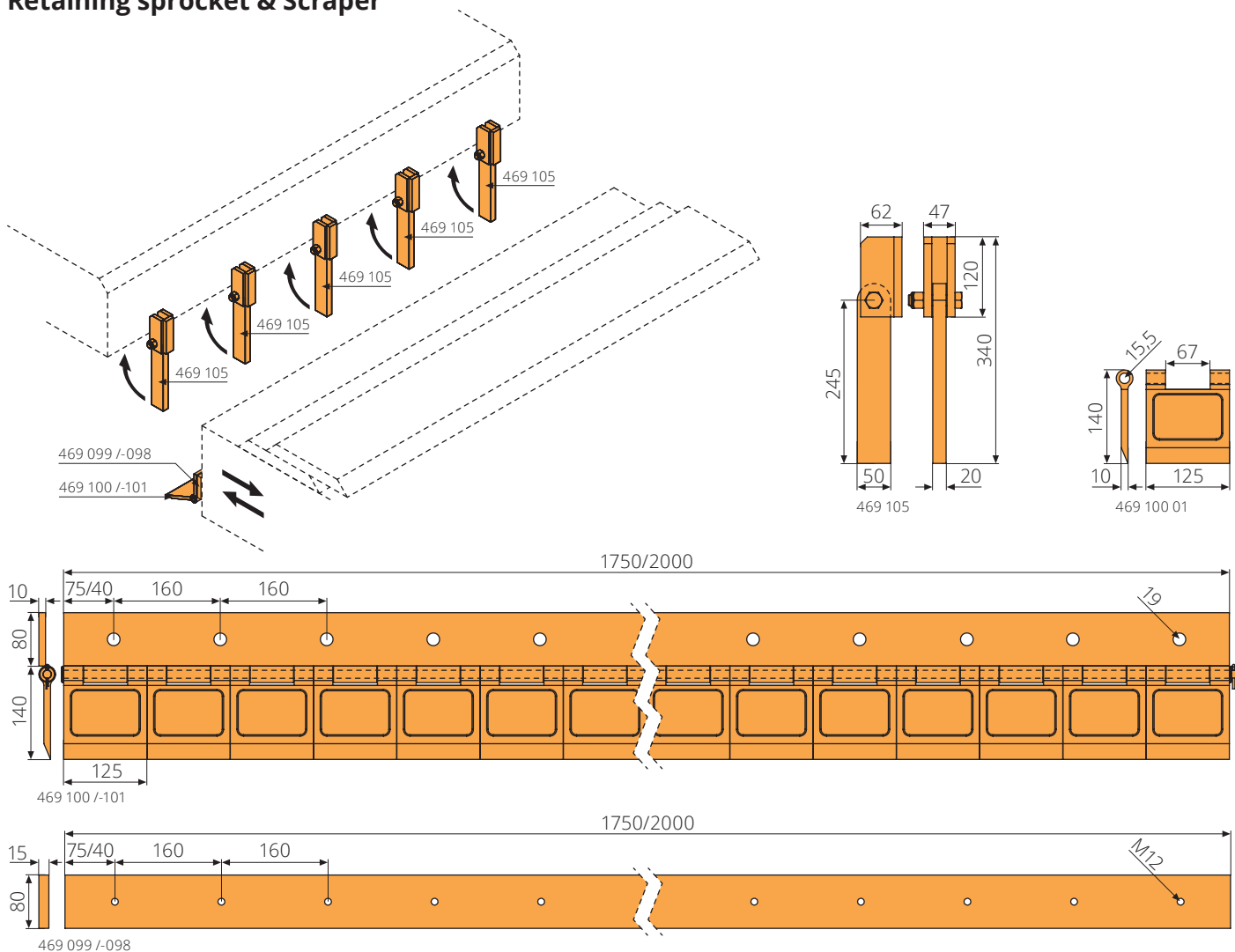
459 193 /-192



454 283

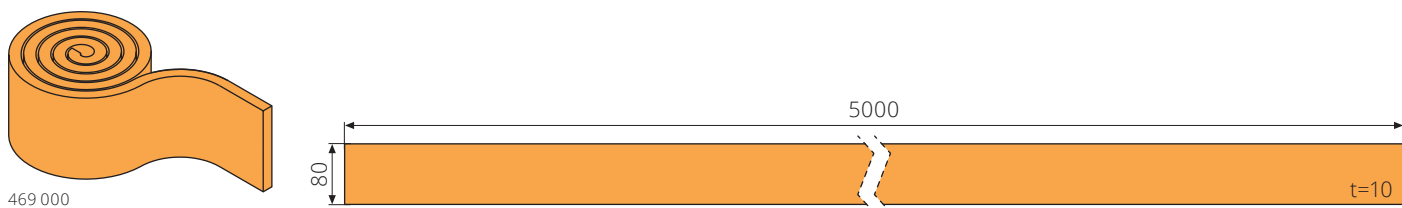
Article no.	Product	Description
459 083	Plate	100x100x3mm, square
459 082	Plate	200x200x3mm, square
459 081	Plate	300x300x3mm, square
452 050	Plate	500x500x6mm, square
459 085	Plate	150x100x3mm, rectangular
459 084	Plate	200x100x3mm, rectangular
452 051	Plate	500x800x6mm, rectangular
459 189	Plate	60x60x85x8mm, triangular
459 187	Plate	80x80x113x8mm, triangular
459 188	Plate	100x100x141x8mm, triangular
459 186	Plate	250x250x354x8mm, triangular
459 193	Plate	95x95x135x10mm, trapezoidal
459 192	Plate	100x100x141x10mm, trapezoidal
454 283	Reinforcement Plate	180x88x5mm, kite shaped

Retaining sprocket & Scraper



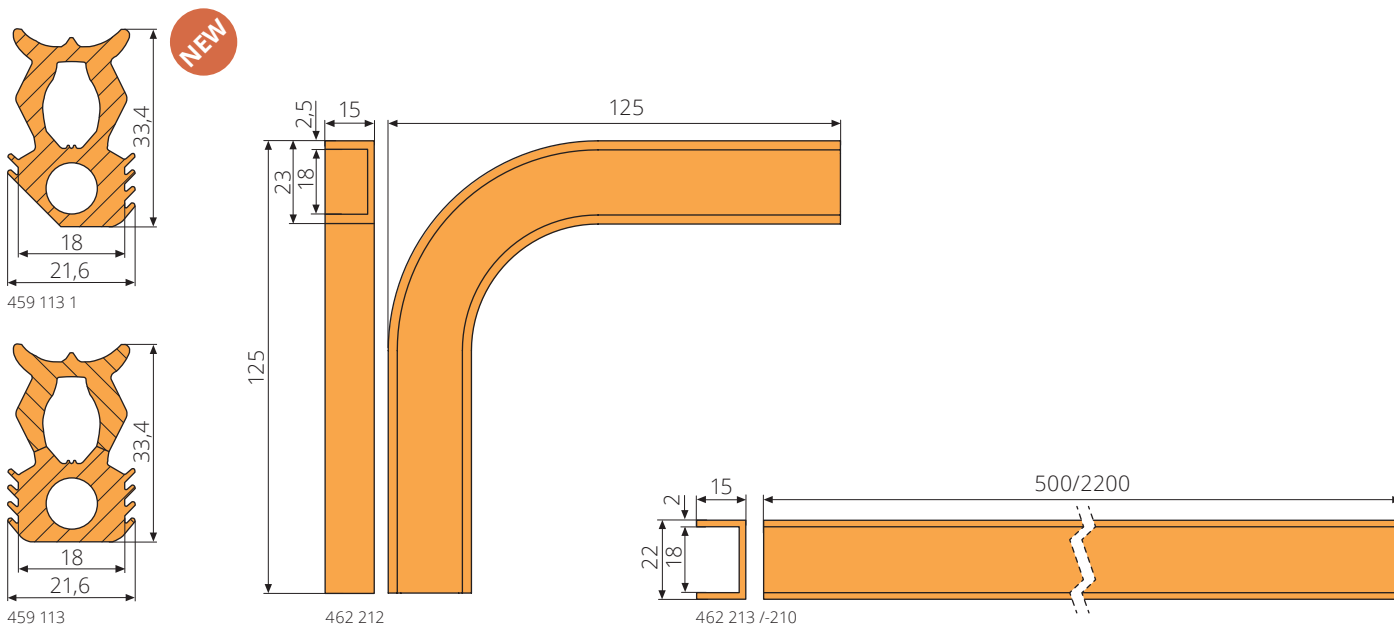
Article no.	Product	Description
469 105	Retaining sprocket	L=245mm
469 100	Scraper	L=1750mm, with 14 scraper blades 469 100 01, mounting rail with 11 bores
469 101	Scraper	L=2000mm, with 16 scraper blades 469 100 01, mounting rail with 13 bores
469 100 01	Scraper blade	L=125mm, for scrapers 469 100 /-101
469 099	Mounting rail	L=1750mm, for welding to the compactor wall, with 11 bores, for scraper 469 100
469 098	Mounting rail	L=2000mm, for welding to the compactor wall, with 13 bores, for scraper 469 101

Plastic sheet

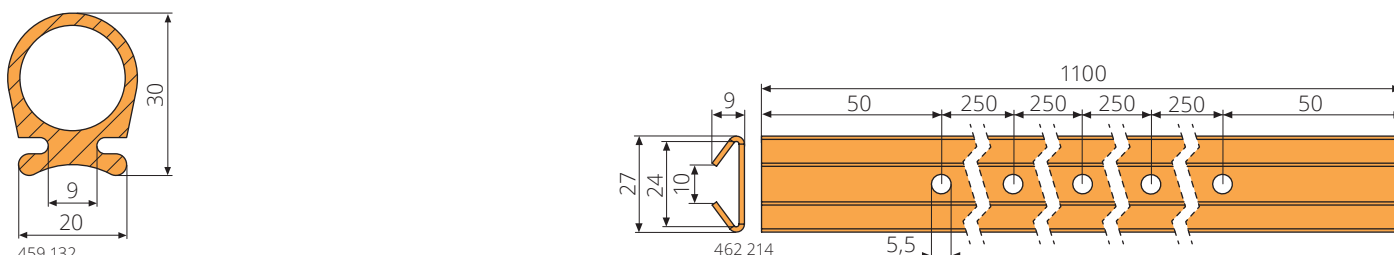


Article no.	Product	Description
469 000	Plastic sheet	80x10x5000mm, transparent, 5m bundle

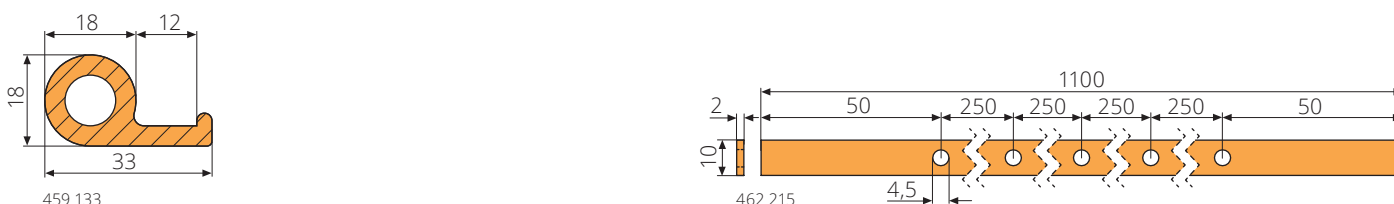
Seals / Profiles for seals



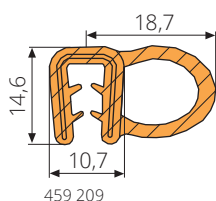
Article no.	Product	Description
459 113 1	Solid rubber seal	21,6x33,4mm, 20m bundle
459 113	Seal for compactors	21,6x33,4mm, 2 types of rubber, 20m bundle
Article no.	Product	Description
462 212	U-profile	125x23x15x2,5mm, 90° elbow, S355J2
462 213	U-profile	500x22x15x2mm, S355J2
462 210	U-profile	2200x22x15x2mm, S355J2



Article no.	Product	Description
459 132	Seal for container doors	20x30mm, 30m bundle
Article no.	Product	Description
462 214	Guide profile	1100x27x9mm, steel, galvanized



Article no.	Product	Description
459 133	Seal for container doors	18x33mm, 25m bundle
Article no.	Product	Description
462 215	Anchoring plate	1100x10x2mm, galvanized

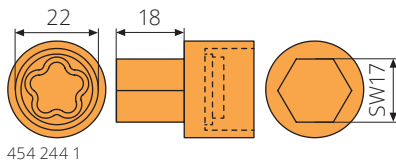
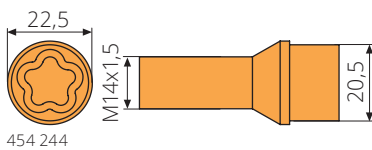
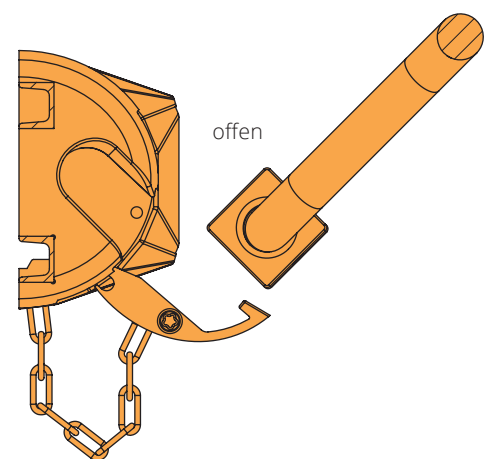
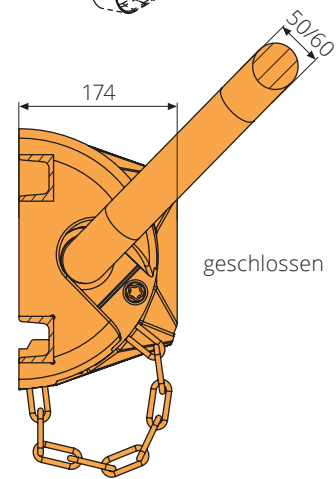
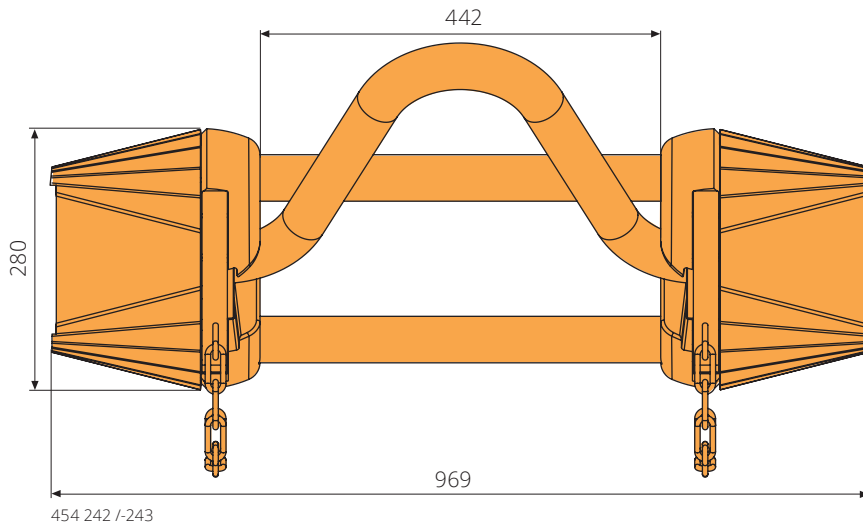
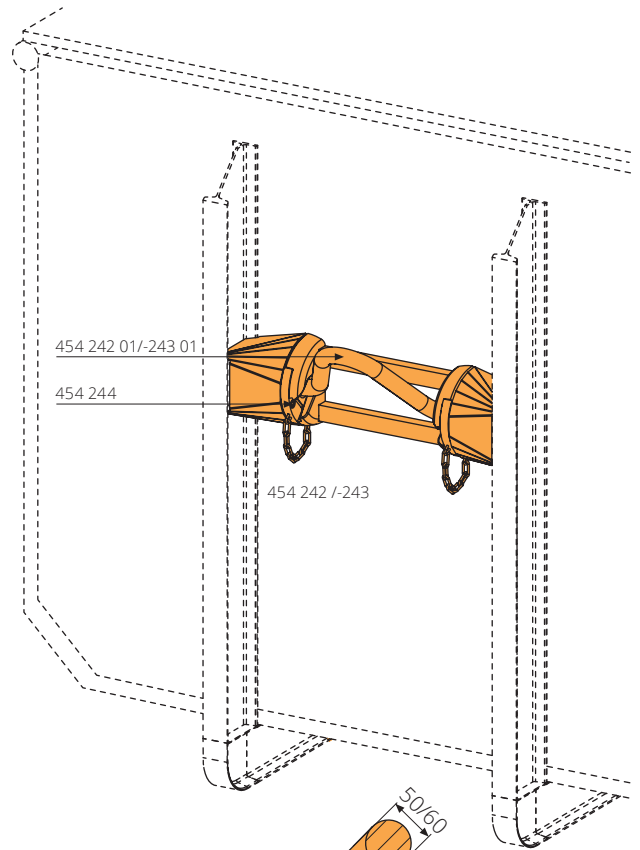


Article no.	Product	Description
459 209	Composite sealing profile	24x14,6mm, self-clamping, 25m bundle, deformable max. 10mm

Exchangeable lifting bars

- due to the slot system the lifting bar is easily interchangeable
- only has to be exchanged if below a wear limit of 10%
- can be used as anti-theft device
- maximum carrying capacity 15/24 t
- weight 17/22 kg
- additionally the bar can be secured with a normal or personalized lock
- can be upgraded since measurements are according to DIN
- DEKRA tested

Utility model DE 20 2012 008 224.8



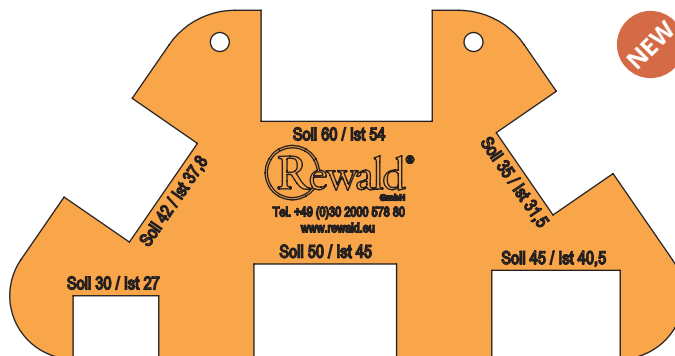
Article no.	Product	Description
454 242	Exchangeable lifting bar complete	50x969mm, S355J2+N
454 242 01	Exchangeable lifting bar	50x565mm, S355J2+N
454 243	Exchangeable lifting bar complete	60x969mm, S355J2+N
454 243 01	Exchangeable lifting bar	60x565mm, S355J2+N
Article no.	Product	Description
454 244	Lock for exchangeable lifting bar	M14x1,5mm
454 244 1	Key for exchangeable lifting bar	SW17

Wear gauge for container inspection according to DIN (wear limit of 10%)

6 gap gauges for checking admissible wear limits of 10% according to DIN 30735, DIN 30720-1/-2 & DIN 30722-1/-2/-3:

- Lifting bars on roll-off containers & mobile compactors
- Tipping bolts on skips
- Lifting lugs on skips

The wear gauge enables a quick & secure check of the above named components within the framework of container inspections. Select the respective gap gauge according to the nominal dimension for the lifting bar, tipping bolt or lifting lug. If it is possible to slide the gauge over the diameter of the tested part, it no longer conforms with safety requirements. Holes for filing away.



454 094

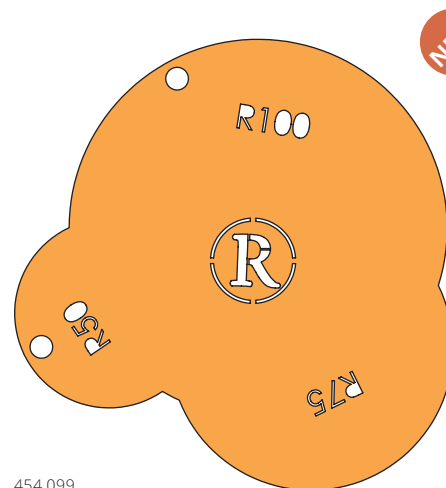
Article no.	Product	Description
454 094	Wear gauge	V4A plate, for checking a wear limit of 10% according to DIN

Radius gauge for checking lifting bars

3 gauges for checking lifting bar radii:

- R50
- R75
- R100

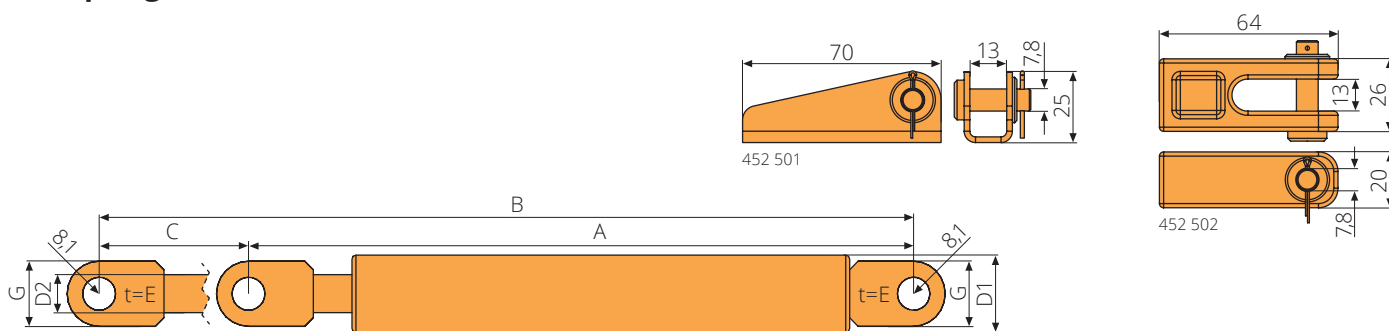
Holes for filing away.



454 099

Article no.	Product	Description
454 099	Radius gauge	steel plate, for checking R50, R75 & R100

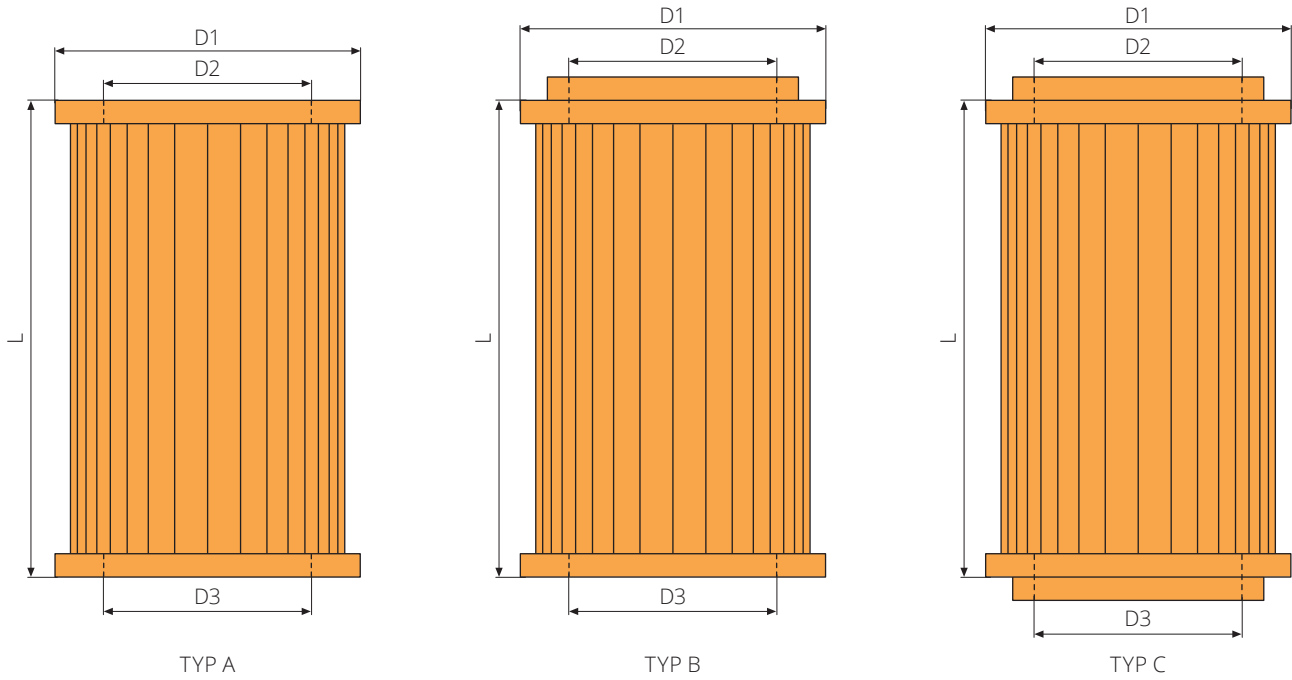
Exchangeable lifting bars / Wear gauge / Radius gauge

Gas springs


Article no.	Product	Spring force	Stroke C	Lenght A	Lenght B	Clinder D1	Piston D2	Eyes		
452 500	Gas spring	250N	100mm	201mm	300,5mm	22mm	10mm	E = 12mm G = 17mm Eyes with thread		
452 505	Gas spring	500N								
452 510	Gas spring	250N	150mm	295mm	22mm				10mm	Eyes with thread
452 515	Gas spring	500N								
452 520	Gas spring	750N								
452 525	Gas spring	1000N	200mm	305mm	22mm				10mm	Eyes with thread
452 530	Gas spring	250N								
452 535	Gas spring	500N								
452 540	Gas spring	750N								
452 545	Gas spring	1000N	250mm	402mm	28mm				14mm	Eyes with thread
452 550	Gas spring	250N								
452 555	Gas spring	500N								
452 560	Gas spring	750N								
452 565	Gas spring	1000N								
452 571	Gas spring	500N	300mm	451mm	28mm	14mm	Eyes with thread			
452 575	Gas spring	750N								
452 580	Gas spring	1000N								
452 585	Gas spring	1250N	400mm	496,5mm	28mm	14mm	Eyes with thread			
452 590	Gas spring	1500N								
452 595	Gas spring	500N								
452 600	Gas spring	750N								
452 605	Gas spring	1000N	100mm	185mm	22mm	10mm	Eyes welded on			
452 610	Gas spring	1250N								
452 615	Gas spring	1500N								
452 620	Gas spring	2000N								
452 625	Gas spring	250N								
452 630	Gas spring	500N	150mm	235mm	22mm	10mm	Eyes welded on			
452 635	Gas spring	250N								
452 640	Gas spring	500N								
452 645	Gas spring	750N	200mm	285mm	22mm	10mm	Eyes welded on			
452 650	Gas spring	1000N								
452 655	Gas spring	1150N								
452 660	Gas spring	250N								
452 665	Gas spring	500N	250mm	335mm	22mm	10mm	Eyes welded on			
452 670	Gas spring	750N								
452 675	Gas spring	1000N								
452 680	Gas spring	1150N	300mm	385mm	22mm	10mm	Eyes welded on			
452 685	Gas spring	250N								
452 690	Gas spring	500N								
452 695	Gas spring	750N								
452 700	Gas spring	1000N	400mm	490mm	22mm	10mm	Eyes welded on			
452 705	Gas spring	1150N								
452 710	Gas spring	500N								
452 715	Gas spring	750N								
452 720	Gas spring	1000N								
452 725	Gas spring	1150N	300mm	385mm	22mm	10mm	Eyes welded on			
452 730	Gas spring	500N								
452 735	Gas spring	750N								
452 740	Gas spring	950N	400mm	490mm	890mm	22mm	10mm	Eyes welded on		

Article no.	Product	Description
452 502	Bracket for gas spring	with pin, cotter pin & washer
452 501	Bracket for gas spring	with pin, cotter pin & washer

Filter cartridges



Article no.	Product	Description
469 450	Filter cartridge	made to order, delivery time on request

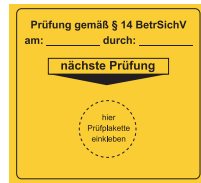
ORDER FORM									
Type	D1 in mm	D2 in mm	D3 in mm	L in mm	Cartridge no.	Housing no.	Presenttyp	Year	Amount

Seal type		
internal o-ring	outer flat seal	without seal

Filter material		
Glass filter	Paper filter	Metal filter



459 216



459 222 1



459 221 1



459 220 1



459 255 1



459 243



459 242



459 234



459 232



459 231



459 238



459 235



459 236



459 230



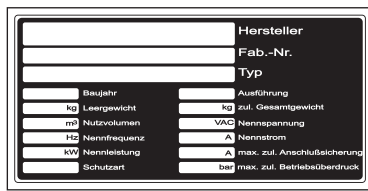
459 239

Article no. Product

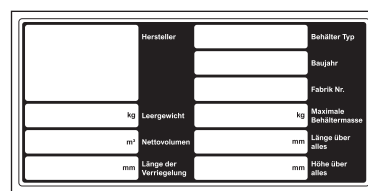
459 216	PVC sticker "Kurzbefehlsanleitung für Müllpressen"
459 222 1	PVC base sticker "Prüfung gemäß § 14 BetrSichV"
459 221 1	PVC base sticker "Prüfung gemäß § 14 BetrSichV"
459 220 1	PVC base sticker "Prüfung gemäß § 14 BetrSichV"
459 255 1	PVC base sticker "Prüfung gemäß § 14 BetrSichV" mit Logo
459 243	PVC inspection sticker "perennial"
459 242	PVC inspection sticker "perennial"
459 234	PVC inspection sticker "2022"
459 232	PVC inspection sticker "2022"
459 231	PVC inspection sticker "2023"
459 238	PVC inspection sticker "2023"
459 235	PVC inspection sticker "2024"
459 236	PVC inspection sticker "2024"
459 230	PVC inspection sticker "2025"
459 239	PVC inspection sticker "2025"

Description

210x297mm
105x95mm, 6 stickers/sheet
40x95mm, 15 stickers/sheet
210x150mm, 2 stickers/sheet
110x148mm, 4 stickers/sheet
D=75mm, 6 stickers/sheets
D=30mm, 48 stickers/sheet
D=75mm, 6 stickers/sheet
D=30mm, 48 stickers/sheet
D=75mm, 6 stickers/sheet
D=30mm, 48 stickers/sheet
D=75mm, 6 stickers/sheet
D=30mm, 48 stickers/sheet
D=75mm, 6 stickers/sheet
D=30mm, 48 stickers/sheet



459 201



459 200 2

Article no. Product

459 201	Type label aluminum sticker for compactors
459 200 2	Type label aluminum sticker for roll-off containers

Description

194x97mm, 3 stickers/sheet
194x97mm, 3 stickers/sheet



459 290

Article no. Product

459 290	PVC sticker "warning notices for compactors"
---------	--

Description

650x150mm

Stickers according to customer specification on request

Stickers



459 227



459 215



459 219



459 256



459 217



459 212



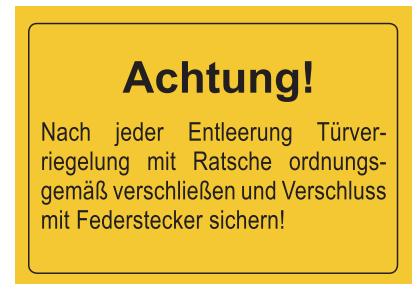
459 213



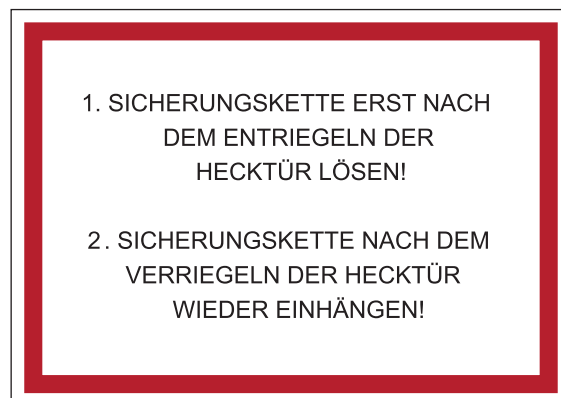
459 214



459 283



459 257



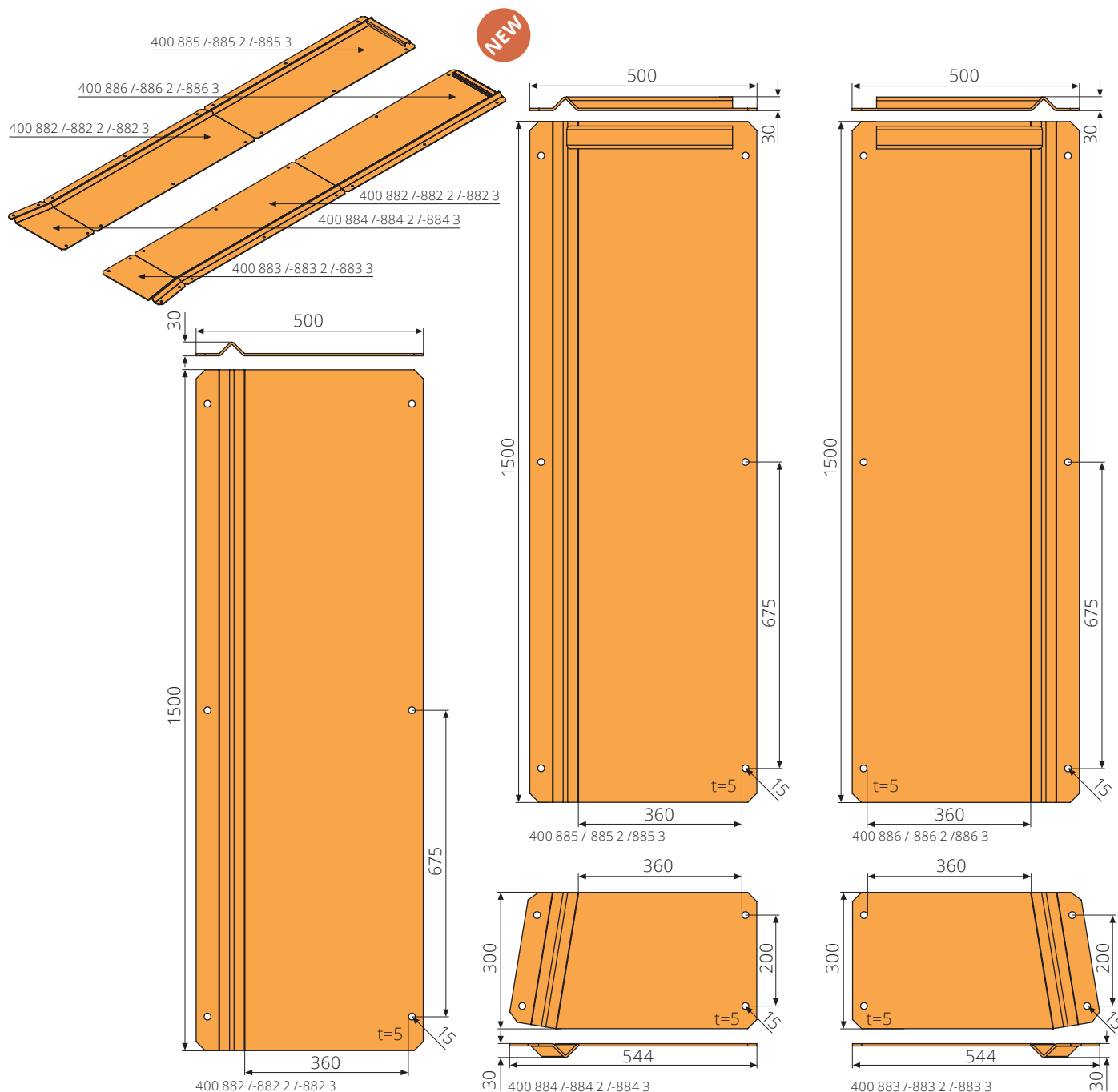
459 218



459 205

Article no.	Product	Description
459 227	PVC sticker "Pressenraum bei jeder Leerung reinigen"	297x210mm
459 215	PVC sticker "Pressenraum 1 mal wöchentlich reinigen"	297x210mm
459 219	PVC sticker "NOT-AUS"	90x90mm, 6 stickers/sheet
459 256	PVC sticker "Bedienung nur durch unterwiesene Personen"	104x52mm, 10 stickers/sheet
459 217	PVC sticker "Hakenbügel nur für Rangierzwecke"	297x210mm
459 212	PVC sticker "Niemals in den Befülltrichter greifen"	210x150mm, 2 stickers/sheet
459 213	PVC sticker "Netzstecker ziehen"	210x150mm, 2 stickers/sheet
459 214	PVC sticker "Vorsicht! Quetschgefahr"	210x297mm
459 283	PVC sticker "Zufahrt freihalten!"	210x95mm, 3 stickers/sheet
459 257	PVC sticker "Nach Entleerung Türverriegelung sichern!"	210x150mm, 2 stickers/sheet
459 218	PVC sticker "Sicherungskette lösen/wieder einhängen"	297x210mm
459 205	PVC sticker "Bekleben verboten!"	210x150mm, 2 stickers/sheet

Shunting aids



Article no.	Product	Description
400 882	Shunting aid	1500x500x30mm, left/right, raw
400 885	Shunting aid with stop	1500x500x30mm, left, raw
400 886	Shunting aid with stop	1500x500x30mm, right, raw
400 884	Shunting aid	300x544x30mm, front left/rear right, raw
400 883	Shunting aid	300x544x30mm, front right/rear left, raw

Article no.	Product	Description
400 882 2	Shunting aid	1500x500x30mm, left/right, stainless steel
400 885 2	Shunting aid with stop	1500x500x30mm, left, stainless steel
400 886 2	Shunting aid with stop	1500x500x30mm, right, stainless steel
400 884 2	Shunting aid	300x544x30mm, front left/rear right, stainless steel
400 883 2	Shunting aid	300x544x30mm, front right/rear left, stainless steel

Article no.	Product	Description
400 882 3	Shunting aid	1500x500x30mm, left/right, galvanized
400 885 3	Shunting aid with stop	1500x500x30mm, left, galvanized
400 886 3	Shunting aid with stop	1500x500x30mm, right, galvanized
400 884 3	Shunting aid	300x544x30mm, front left/rear right, galvanized
400 883 3	Shunting aid	300x544x30mm, front right/rear left, galvanized

Custom order form


Office Richard-Wagner-Straße 51
 10585 Berlin | Germany
 Phone +49 (0)30 2000 578 80
 E-mail vertrieb@rewald.eu
 Internet www.rewald.eu

We are happy to accept special requests. We ask for as much information as possible so that we can make an offer.

If available, you can also send us the following by e-mail or post:

- detailed photos
- technical drawings, 3D models, detailed sketches
- sample parts
- reference to similar Rewald articles

Contact Person	
Address	
Phone	
E-mail	
Rewald Customer no.	

Product	
Material	
OEM no.	
Manufacturer	
Amount	
Sketch	

Order form

Office Richard-Wagner-Straße 51
10585 Berlin | Germany
Phone +49 (0)30 2000 578 80
E-mail vertrieb@rewald.eu
Internet www.rewald.eu

Bill Address	
Contact Person	
Position	
Phone	
E-mail	
Rewald Customer no.	

Delivery Address	
Data	
Order no.	
Descriptionen	

Express Delivery Stardart Delivery

Article no.	Product	Amount

Payment 10 days 2% discount, 30 days netto
For further terms of payment & delivery see the general terms & conditions

Signature, company stamp

Name in capital letters

General terms & conditions REWALD GmbH

1. The customer declares himself in agreement with our standard terms and conditions when placing an order. Failure of the customer to reveal any particular terms of business on their side does not in any way imply our consent to them. In particular, the delivery or provision of services does not constitute implied acceptance of the customer's terms and conditions. Alterations, supplementary agreements and additions to the Standard Terms of Business require our written confirmation.
2. All offers are subject to change and are non-binding. All documents relating to these offers, including figures, drawings, weights or dimensions and including any other technical information and references to technical standards and designs merely indicate the object of the agreement and are subject to written confirmation of technical properties. All prices are quoted for deliveries ex-factory including loading in factory and excluding standard packaging and VAT. Our offers are based on the latest technical developments, the relevant accident prevention regulations, safety regulations etc at the time of making the offer.
3. For content and scope of the contract our written confirmation of the order is definitive. Supplementary agreements, additions etc require our written confirmation.
4. We only accept prepayment. Our request minimum value is 50 €.
5. In the event that after closing of contract we become aware of circumstances which substantially bring the credit-worthiness of the customer into question, or if payment terms are not met, we are entitled to demand at our discretion payment in advance of any liabilities arising out of the business relationship or to ask for appropriate securities.
6. If circumstances arising out of our control, including but not limited to operational disturbances, strikes or lock-outs, freight disruption and any other unforeseeable shortages which occur with our suppliers, and which cause the failure or delay of consignments or services, we reserve the right to deliver at a later date or to withdraw wholly or partly from the contract without the customer having the right to claim damages. In the event of a delay in delivery or services the customer is entitled to withdraw from the contract after the expiry of a reasonably extended deadline of at least 2 weeks. Any withdrawal from contract must take place through written declaration.
7. All shipments are insured. A statement of any damages or shortages to the consignment must be drawn up immediately after receipt. Liability for the risk of accidental damage passes to the purchaser when the consignment is handed over to the freight carrier, but at the latest when the consignment leaves the warehouse. Specific shipping instructions of the customer are only binding if agreed to in writing. Otherwise delivery will be made as we deem best and under exclusion of any liability for the choice of mode of shipment. Shipment takes place at the expense of the buyer. For orders within Germany with a minimum net value of 770 Euro freight delivery will not be charged.
8. The following conditions apply to our warranty and liability for defects in delivery or service, including incorrect delivery or performance: any claims must be made in writing within one week of receipt of goods or services. In the event of justified complaint, excluding the absence of guaranteed qualities, we reserve the right to remedy the defective delivery or service within a reasonable space of time. Where applicable, we may recall the defective goods and supply a replacement; we will not assume responsibility for the costs of assembly, disassembly, or installation. The customer is obliged to allow us the opportunity for rectification during normal working hours by prior agreement.
9. We retain title to all goods supplied pending full and complete payment and until all present and future claims arising out of the business relationship have been met. If the customer acquires sole or shared ownership on the basis of the joining, combining, mixing or processing of our consignment (with other consignments) then we shall have ownership to the ratio of the value of our consignment in relation to the other goods with which it is joined, combined or mixed. Any treatment or processing is covered according to Paragraph 950 BGB without any obligation on our part. Furthermore is any resale prohibited.
10. Only goods specifically listed on the delivery note can be returned. Goods which have been damaged are non-returnable. The cost and risks of return freighting of the returned goods will be borne by the customer. Returned goods will be refunded less a deduction of 20% of the purchase price.
11. The relinquishing of claims against the customer which are due to us in the business relationship is excluded.
12. We will only be liable for deliberate or gross negligence of our agents and senior management, or vicarious agents and assistants. Otherwise any claims for damages arising from fault during the contract negotiations, from actual breach of contract, arising out of a punishable act, or contractual rights (such as consultation or information about qualities, applications, service requirements etc) are ruled out. In particular we will only be liable for consultations for which a separate payment was agreed.
13. Place of dispatch for all shipments and payments is Berlin, Germany. Sole place of jurisdiction is Amtsgericht Berlin-Charlottenburg.
14. The contractual relationship is governed by German law. The application of the uniform law governing the international purchase of movable objects is excluded.
15. Should any of the above stated provisions be either fully or in part invalid, the validity of the remaining provisions of contract shall not in any way be affected.

Office Richard-Wagner-Straße 51 | 10585 Berlin | Germany

Warehouse Hafenstraße 1 | 16727 Velten | Germany

Phone +49 (0)30 2000 578 80

E-mail vertrieb@rewald.eu

Internet www.rewald.eu



Further Catalogs

