

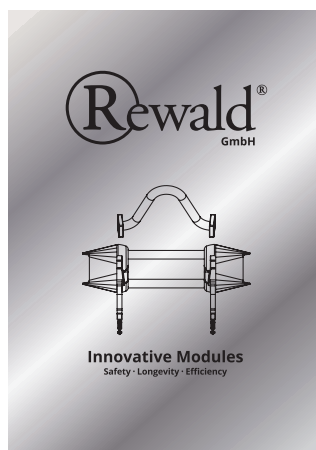
Rewald[®]
GmbH



**Components for
Balers**

Catalog 2023

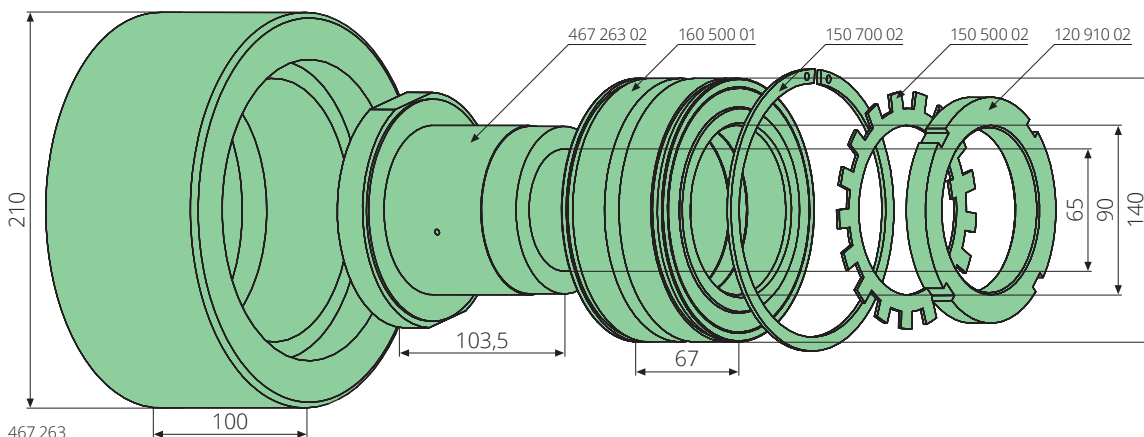
All Rewald Catalogs



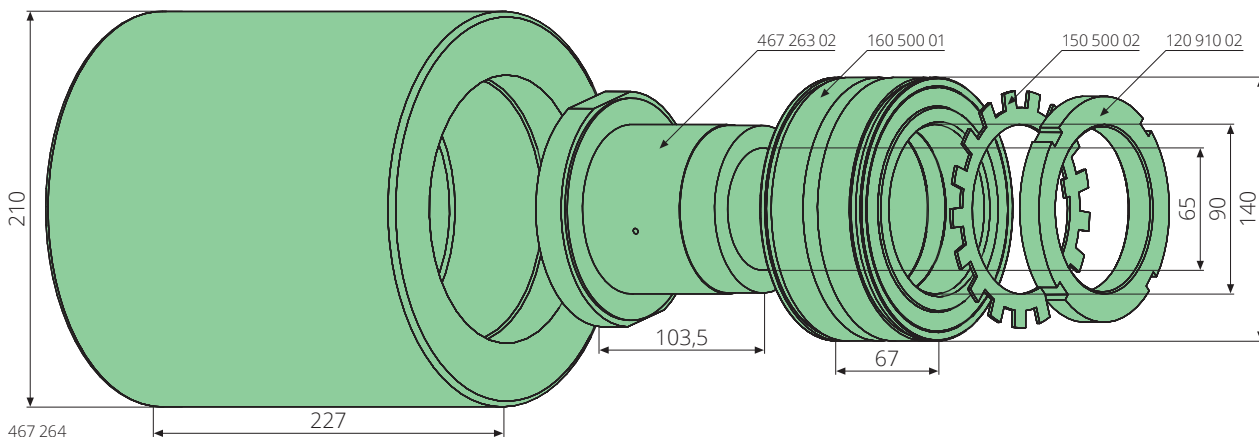
Contents

Type PAAL	4 - 31
Track rollers	4 - 7
Bolts for track rollers / Bearings / Bushings	8 - 11
Sets of pressure plate blades	12 - 13
Wear plates / Scrapers / Guide profiles / Guide bars	14 - 15
Lateral guide profiles / Cover for track rollers	16 - 17
Sets of bottom wear plates	18
Sets of counter blades	19
Sets of guide rails	20 - 22
Material retainers / Tension screw & Tension springs / Rubber bumper / Bolt for side wall	23
Twisting hooks	24 - 25
Shafts for twisting hooks / Link bolts / Wire cutting blades / Chains / Sprockets	26 - 27
Wire drawing needles / Guide bushings for needles / Mounts for rollers Wire guide rollers / Conveyor rollers / Bumper	28 - 31
Filters	31
Type BOA	32 - 33
Type BOLLEGRAAF	34 - 36
Type EUROPRESS	37 - 38
Type HSM	39
Type MACPRESSE EUROPA	40 - 43
Type PRESONA	44
Custom order form / Order form / General terms & conditions REWALD GmbH	45 - 47

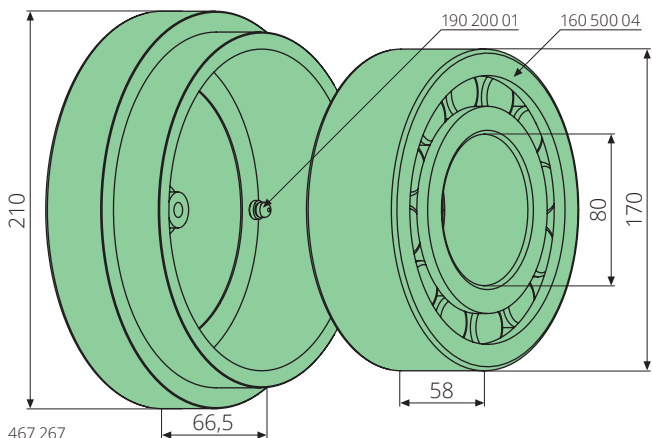
Track rollers



Article no.	Product	Description
467 263	Track roller complete	65-210-100mm, 42CrMo4, hardened, with bearing & bushing
160 500 01	Roller bearing	90-140-67mm, DIN 5412, SL045018-PP
467 263 02	Bushing	65-125/90-103,5mm, 9SMn28k
150 700 02	Retaining ring	d=134,8mm, t=2,5mm, WRE 140
150 500 02	Lock washer	d=90mm, t=1,75mm, MB18, DIN 5406
120 910 02	Lock nut	M90x2mm, KM18, DIN 981

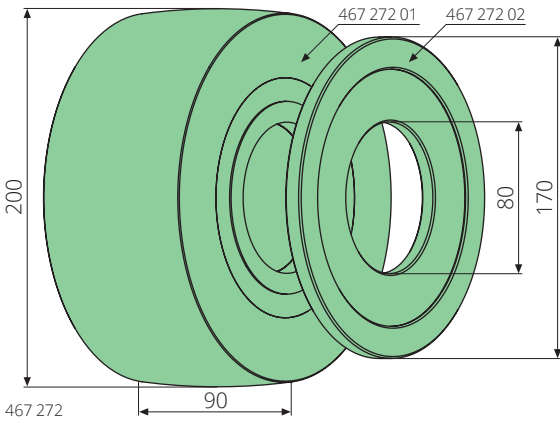


Article no.	Product	Description
467 264	Track roller complete	65-210-227mm, 42CrMo4, hardened, with bearings & bushing
160 500 01	Roller bearing	90-140-67mm, DIN 5412, SL045018-PP
467 263 02	Bushing	65-125/90-103,5mm, 9SMn28k
150 500 02	Lock washer	d=90mm, t=1,75mm, MB18, DIN 5406
120 910 02	Lock nut	M90x2mm, KM18, DIN 981

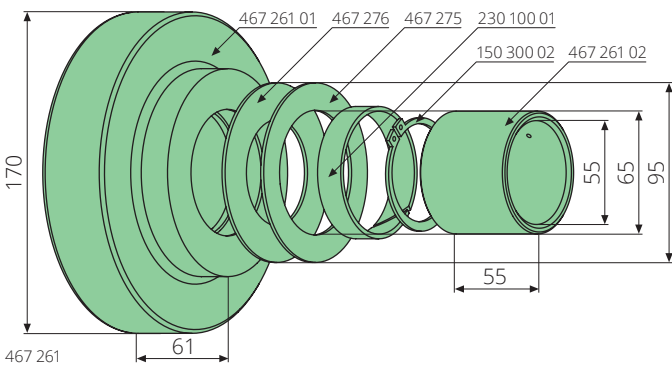


Article no.	Product	Description
467 267	Track roller complete	80-210-66,5mm, 42CrMo4, hardened, with bearing
160 500 04	Roller bearing	80-170-58mm, DIN 5412, SL-192316
190 200 01	Grease fitting	M8x1mm, galvanized, DIN 3405

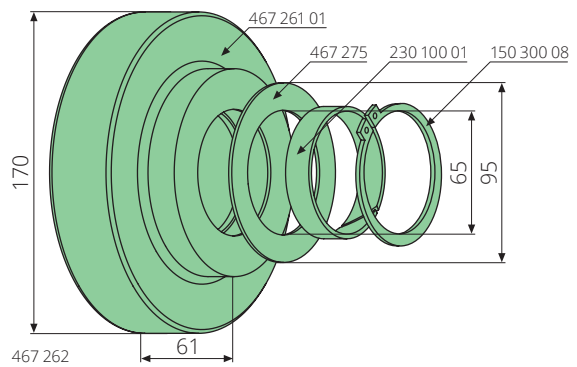
Track rollers



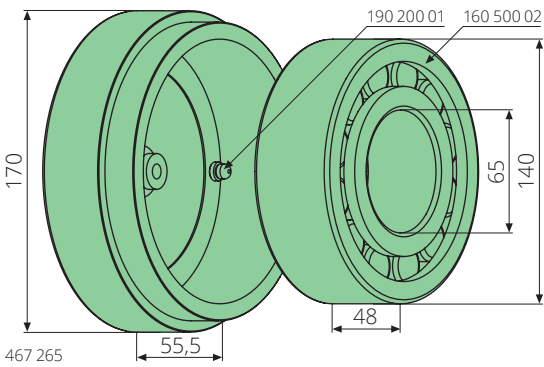
Article no.	Product	Description
467 272	Track roller complete	80-200-108mm, RSU 80-200, with roller bearing & spacing washers
467 272 01	Track roller	80-200-90mm, RSU 80-200, with roller bearing
467 272 02	Spacing washer	80-170-10mm, PE, 2 needed



Article no.	Product	Description
467 261	Track roller complete	55-170-61mm, 42CrMo4, hardened
467 261 01	Track roller	67-170-61mm, 42CrMo4
467 261 02	Bushing	55-65-55mm, X39CrMo17-1, hardened
230 100 01	Rod guide ring	65-70-15mm
467 276	Thrust ring	56-95-2mm, 51CrV4
467 275	Thrust ring	66-95-2mm, 51CrV4
150 300 02	Circlip	d=55mm, t=2mm, DIN 471, Typ PAAL
467 266	Metal bonding adhesive	50 ml

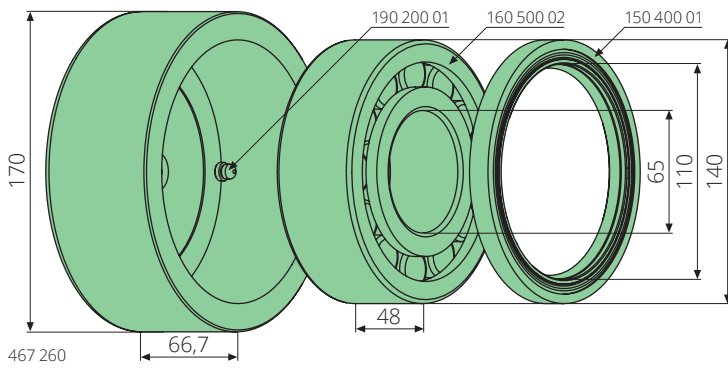


Article no.	Product	Description
467 262	Track roller complete	65-170-61mm, 42CrMo4, hardened
467 261 01	Track roller	67-170-61mm, 42CrMo4
230 100 01	Rod guide ring	65-70-15mm
467 275	Thrust ring	66-95-2mm, 51CrV4
150 300 08	Circlip	d=65mm, t=2,5mm, DIN 471

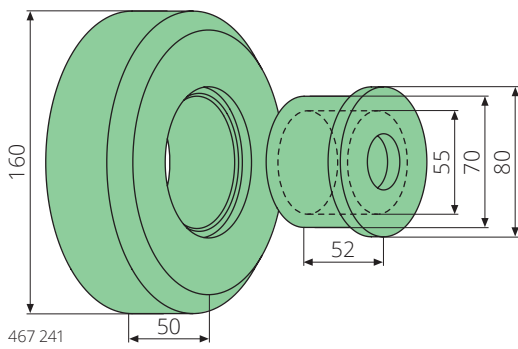


Article no.	Product	Description
467 265	Track roller complete	65-170-55,5mm, 42CrMo4, hardened, with bearing
160 500 02	Roller bearing	65-140-48mm, DIN 5412, SL-192313
190 200 01	Grease fitting	M8x1mm, galvanized, DIN 3405

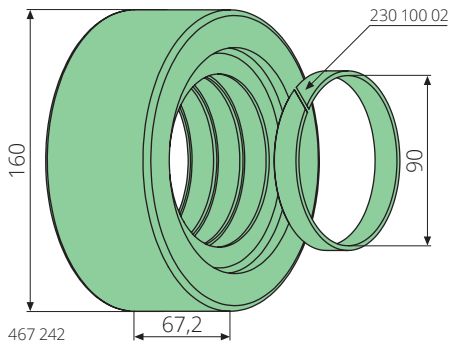
Track rollers



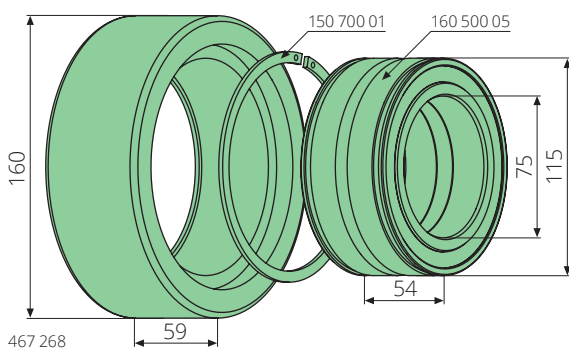
Article no.	Product	Description
467 260	Track roller complete	65-170-66,7mm, 42CrMo4, hardened, with bearing & radial shaft seal
160 500 02	Roller bearing	65-140-48mm, DIN 5412, SL-192313
150 400 01	Radial shaft seal	110-140-12mm, DIN 3760
190 200 01	Grease fitting	M8x1mm, galvanized, DIN 3405



Article no.	Product	Description
467 241	Track roller complete	55-160-52mm, 42CrMo4, hardend, with bushing

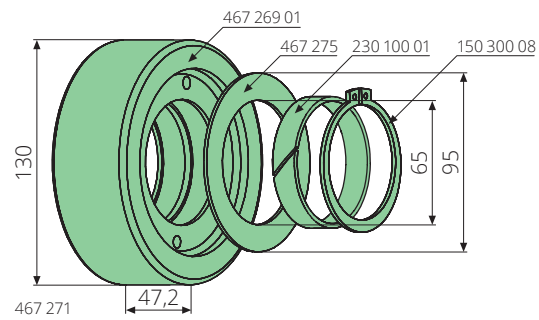
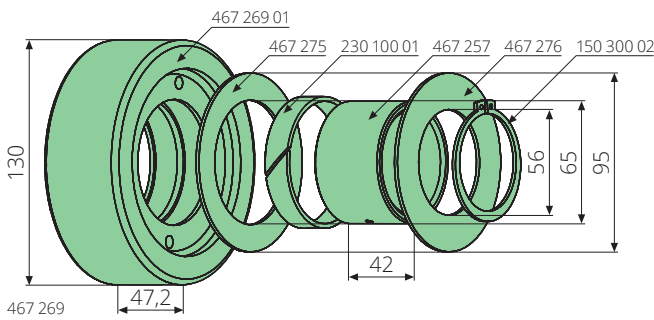


Article no.	Product	Description
467 242	Track roller complete	90-160-67,2mm, 42CrMo4, with 3 rod guide rings, hardend
230 100 02	Rod guide ring	90-95-15mm



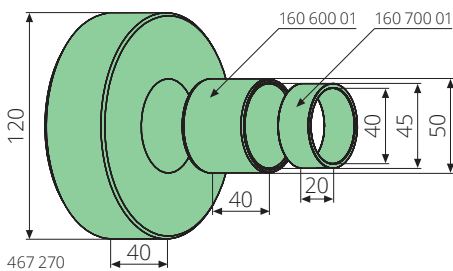
Article no.	Product	Description
467 268	Track roller complete	75-160-59mm, 42CrMo4, hardened, with bearing
160 500 05	Roller bearing	75-115-54mm, DIN 5412, SL04-5015-PP
150 700 01	Retaining ring	d=110,4mm, t=2,5mm, WRE 115

Track rollers



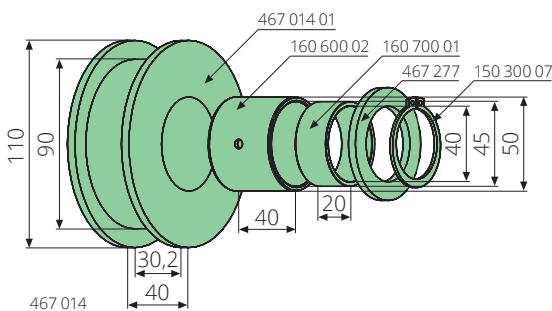
Article no.	Product	Description
467 269	Track roller complete	55-130-47,2mm, 42CrMo4, hardened, with bushing
467 269 01	Track roller	67-130-47,2mm, 42CrMo4, hardened
467 257	Bushing	55-65-42mm, with 2 bores
467 276	Thrust ring	56-95-2mm, 51CrV4
467 275	Thrust ring	66-95-2mm, 51CrV4
230 100 01	Rod guide ring	65-70-15mm
150 300 02	Circlip	d=55mm, t=2mm, DIN 471, Typ PAAL

Article no.	Product	Description
467 271	Track roller complete	65-130-47,2mm, 42CrMo4, hardened
467 269 01	Track roller	67-130-47,2mm, 42CrMo4, hardened
467 275	Thrust ring	66-95-2mm, 51CrV4
230 100 01	Rod guide ring	65-70-15mm
150 300 08	Circlip	d=65mm, t=2,5mm, DIN 471



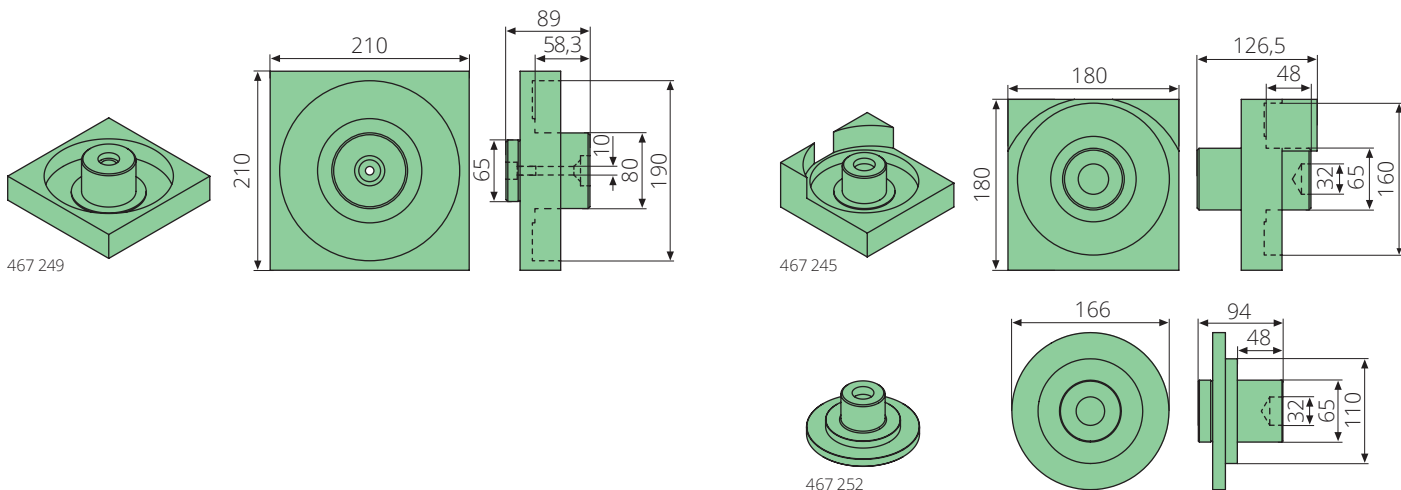
Article no.	Product	Description
467 270	Track roller complete	40-120-40mm, 42CrMo4, hardened, with slide bushing
160 600 01	Slide bushing	45-50-40mm, PAP4540P10
160 700 01	Inner ring	40-45-20mm, DIN 620

Track roller for wire thrust



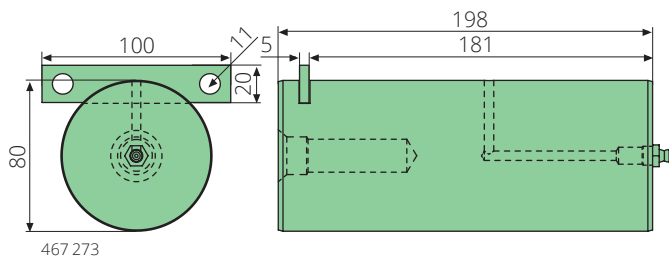
Article no.	Product	Description
467 014	Track roller complete	40-110-40mm, S355J2, with bushing, for wire thrust
467 014 01	Track roller	50-110-40mm, S355J2
160 600 02	Slide bushing	45-50-40mm, PAP4540P20
160 700 01	Inner ring	40-45-20mm, DIN 620
467 277	Thrust ring	40,2-60-4,5mm, 9SMn28k
150 300 07	Circlip	d=40mm, t=1,75mm, DIN 471, Typ PAAL

Bolts with base plate for track rollers

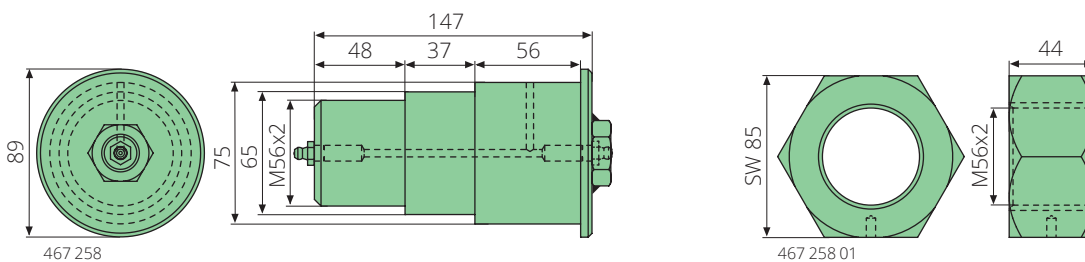


Article no.	Product	Description
467 249	Bolt with base plate for track roller	80x58,3mm, S355J2
467 245	Bolt with base plate for track roller	65x48mm, S355J2
467 252	Bolt for track rollers	65x48mm, S355J2

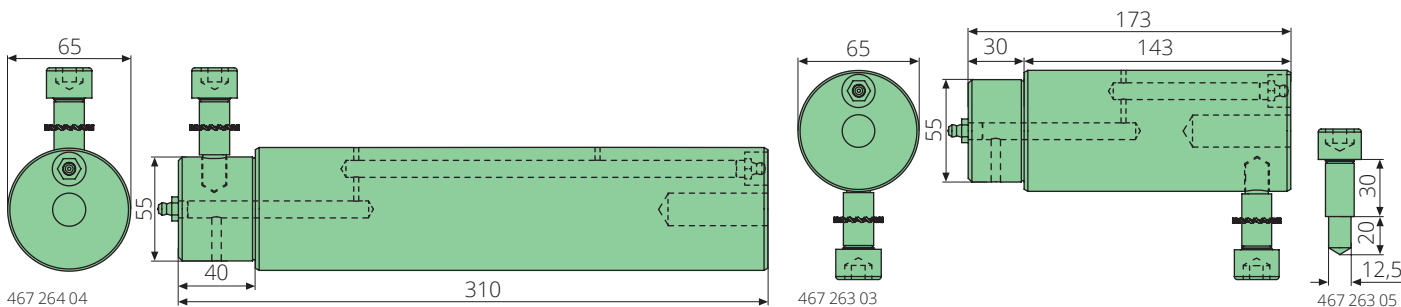
Bolts for track rollers



Article no.	Product	Description
467 273	Bolt for track rollers complete	80x198mm, C45, with locking plate

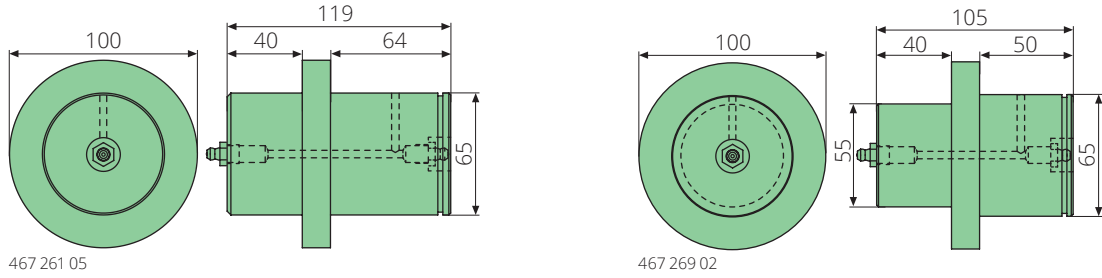


Article no.	Product	Description
467 258	Bolt for track rollers complete	M56x2mm, S355J2, with grease fittings
467 258 01	Lock nut	M56x2mm, 9SMn28k

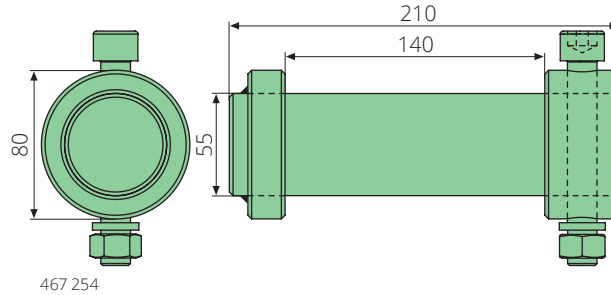


Article no.	Product	Description
467 263 03	Bolt for track rollers	65x173mm, C45k, with grease fittings, washer & screw, for central lubrication system
467 264 04	Bolt for track rollers	65x310mm, C45k, with grease fittings, washer & screw, for central lubrication system
467 263 05	Screw	M16

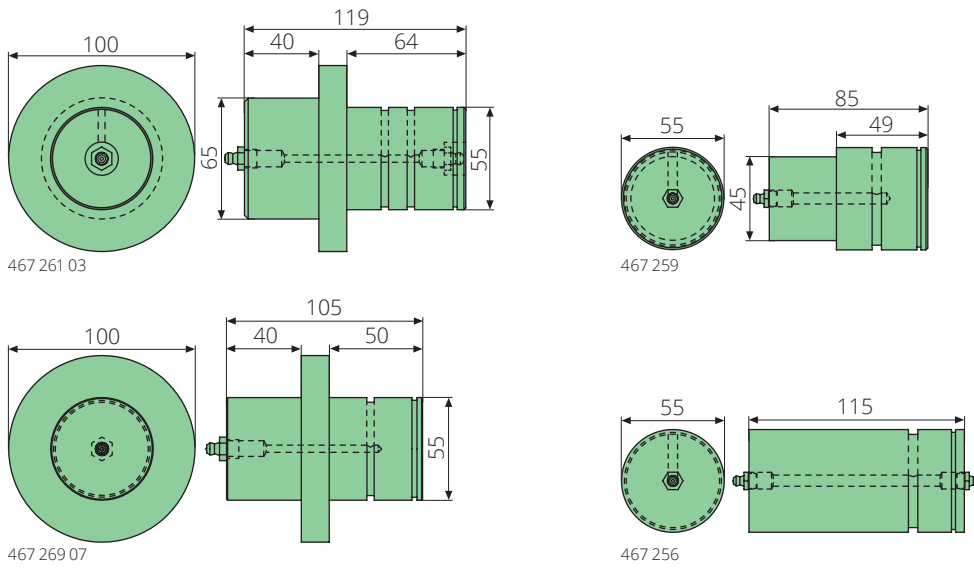
Bolts for track rollers



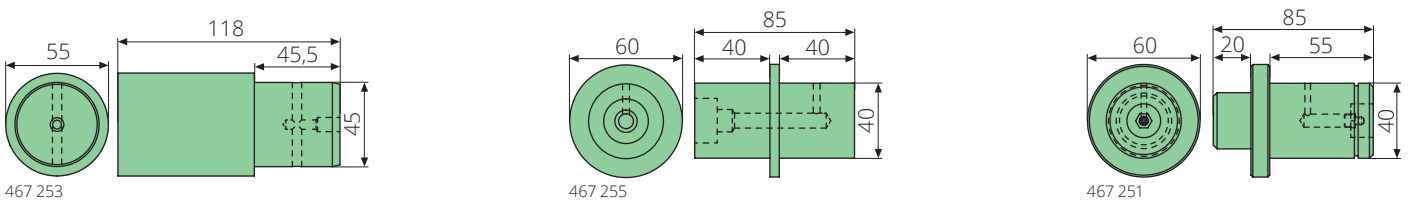
Article no.	Product	Description
467 261 05	Bolt for track rollers	65x119mm, S355J2, with grease fittings
467 269 02	Bolt for track rollers	65x105mm, S355J2, with grease fittings



Article no.	Product	Description
467 254	Bolt complete	55x210mm, C45, with collar, screw, washer & nut

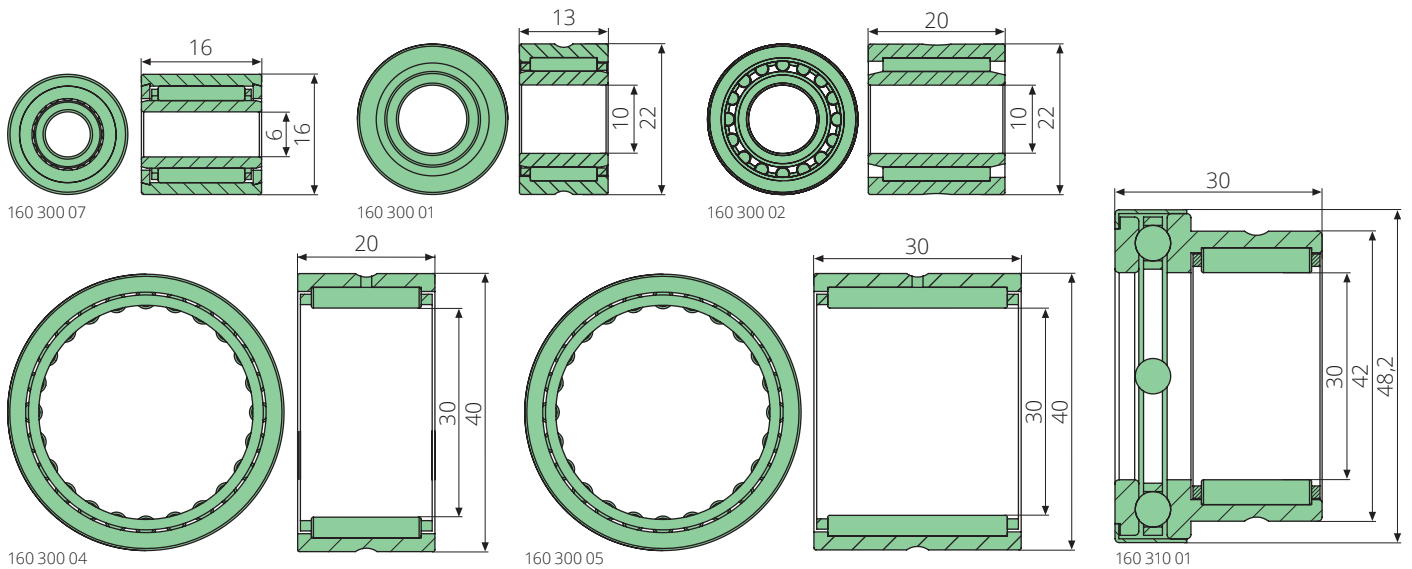


Article no.	Product	Description
467 261 03	Bolt for track rollers	55x119mm, S355J2, with grease fittings
467 269 07	Bolt for track rollers	55x105mm, S355JR, with grease fitting
467 256	Bolt for track rollers	55x115mm, S355J2, with grease fittings
467 259	Bolt for track rollers	55x85mm, S355J2, with grease fitting



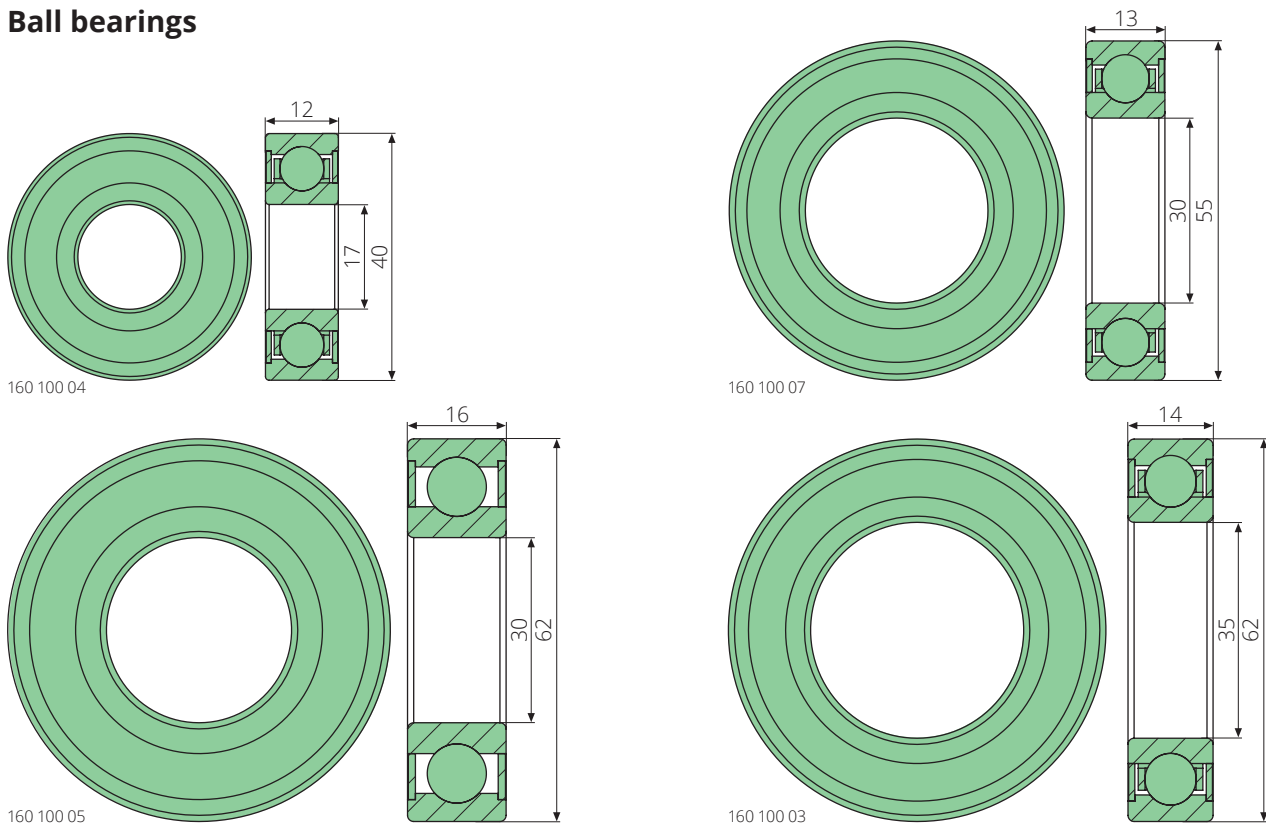
Article no.	Product	Description
467 253	Bolt for track rollers	45x118mm, C45k
467 255	Bolt for track rollers	40x85mm, S355J2
467 251	Bolt for track rollers	40x85mm, S355J2, with grease fitting, for track roller 467 014

Needle bearings



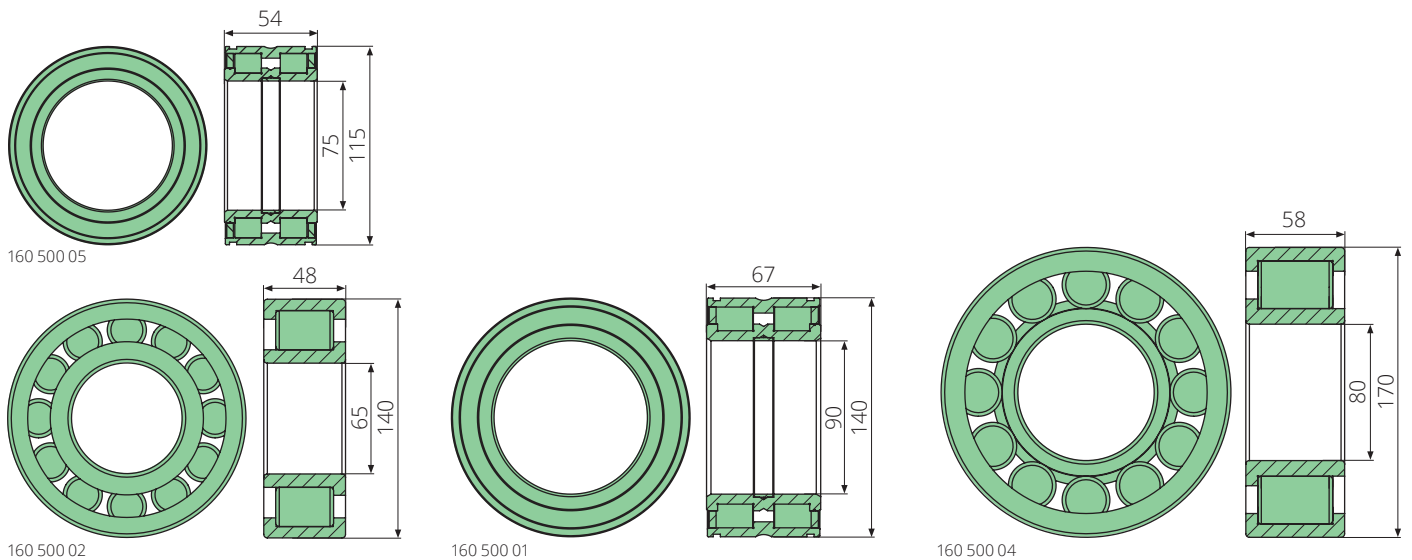
Article no.	Product	Description
160 300 07	Needle bearing	6-16-16mm, ISO 1206, NKI 6/16-TV
160 300 01	Needle bearing	10-22-13mm, ISO 1206, NA 4900
160 300 02	Needle bearing	10-22-20mm, ISO 1206, NKI10/20
160 300 04	Needle bearing	30-40-20mm, ISO 1206, NK 30/20
160 300 05	Needle bearing	30-40-30mm, ISO 1206, NK 30/30-TV
160 310 01	Needle axial ball bearing	30-48,2-30mm, DIN 5429, NKX-30-Z

Ball bearings



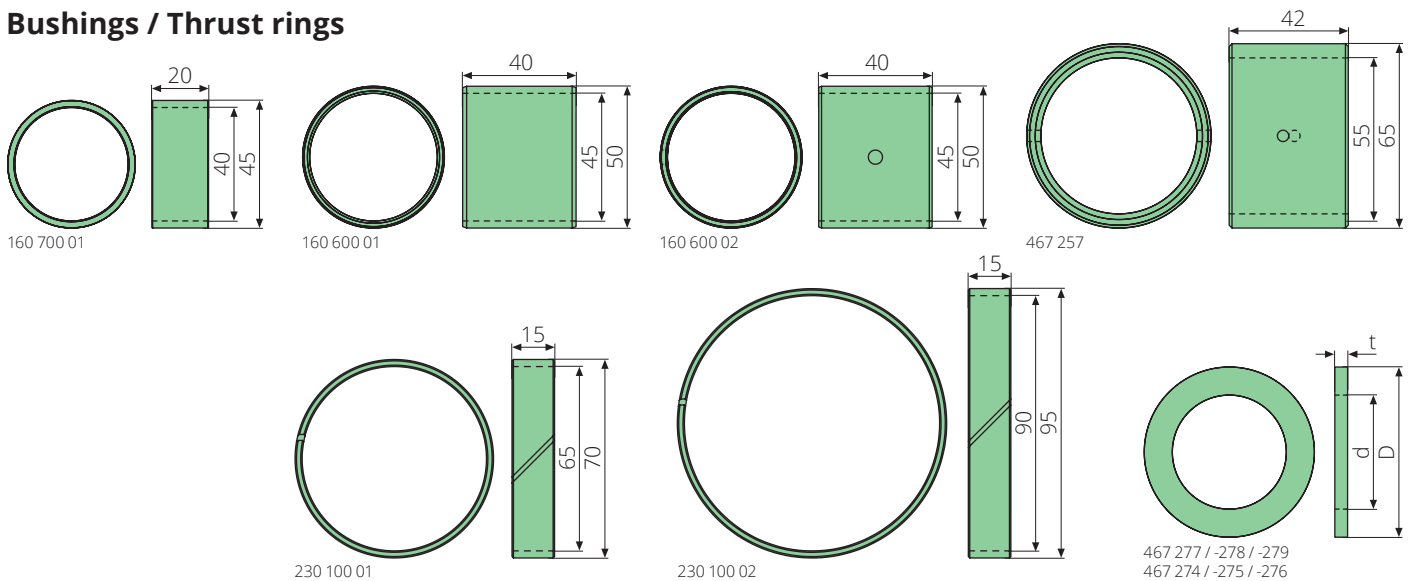
Article no.	Product	Description
160 100 04	Ball bearing	17-40-12mm, DIN 625, 6203-2RS
160 100 07	Ball bearing	30-55-13mm, DIN 625, 6006-2RS
160 100 05	Ball bearing	30-62-16mm, DIN 625, 6206-2RS
160 100 03	Ball bearing	35-62-14mm, DIN 625, 6007-2RS

Roller bearings



Article no.	Product	Description
160 500 05	Roller bearing	75-115-54mm, DIN 5412, SL04-5015-PP
160 500 02	Roller bearing	65-140-48mm, DIN 5412, SL-192313
160 500 01	Roller bearing	90-140-67mm, DIN 5412, SL045018-PP
160 500 04	Roller bearing	80-170-58mm, DIN 5412, SL-192316

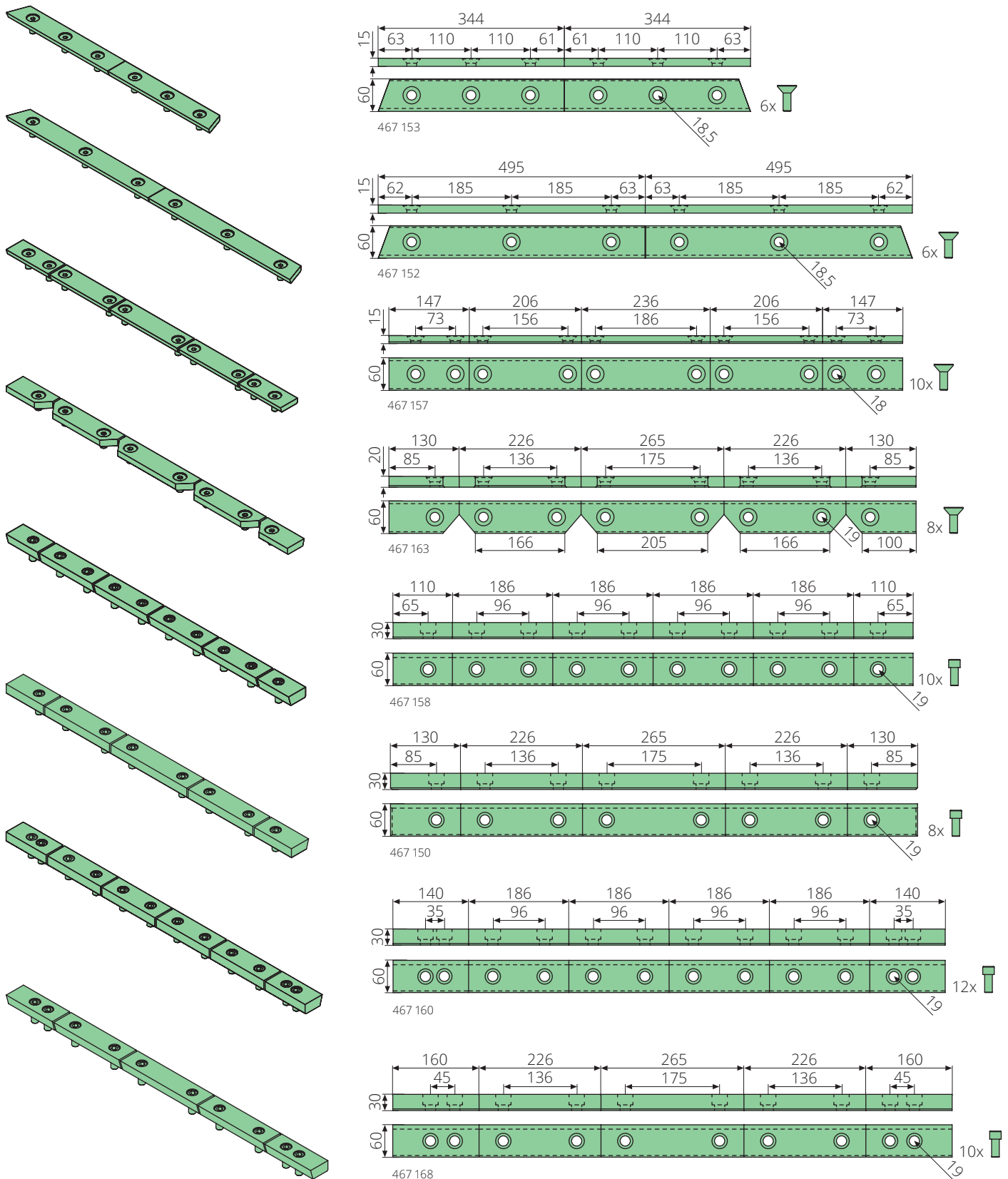
Bushings / Thrust rings



Article no.	Product	Description
160 700 01	Inner ring	40-45-20mm, DIN 620
160 600 01	Slide bushing	45-50-40mm, PAP4540P10
160 600 02	Slide bushing	45-50-40mm, PAP4540P20
467 257	Bushing	55-65-42mm, with 2 bores
230 100 01	Rod guide ring	65-70-15mm
230 100 02	Rod guide ring	90-95-15mm

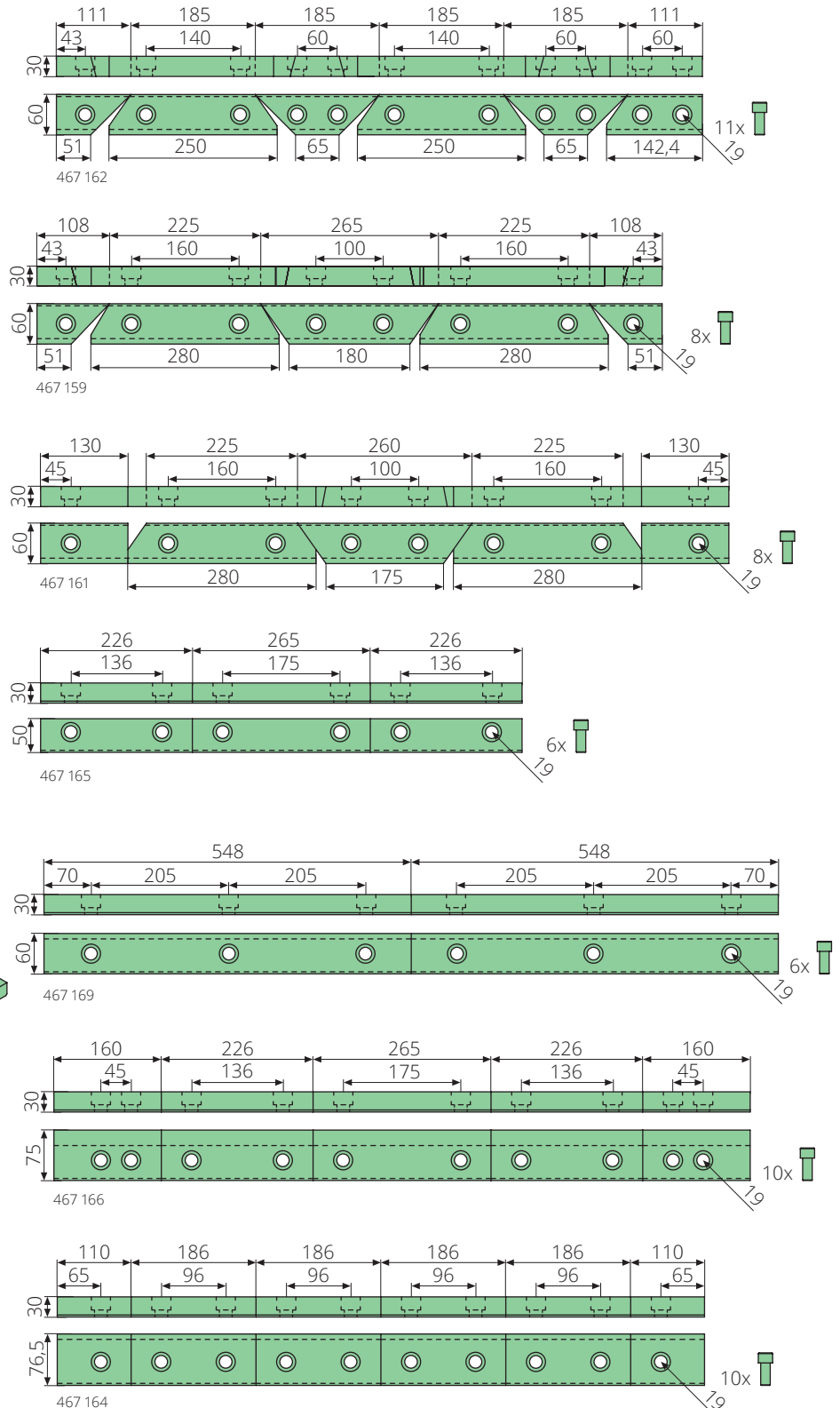
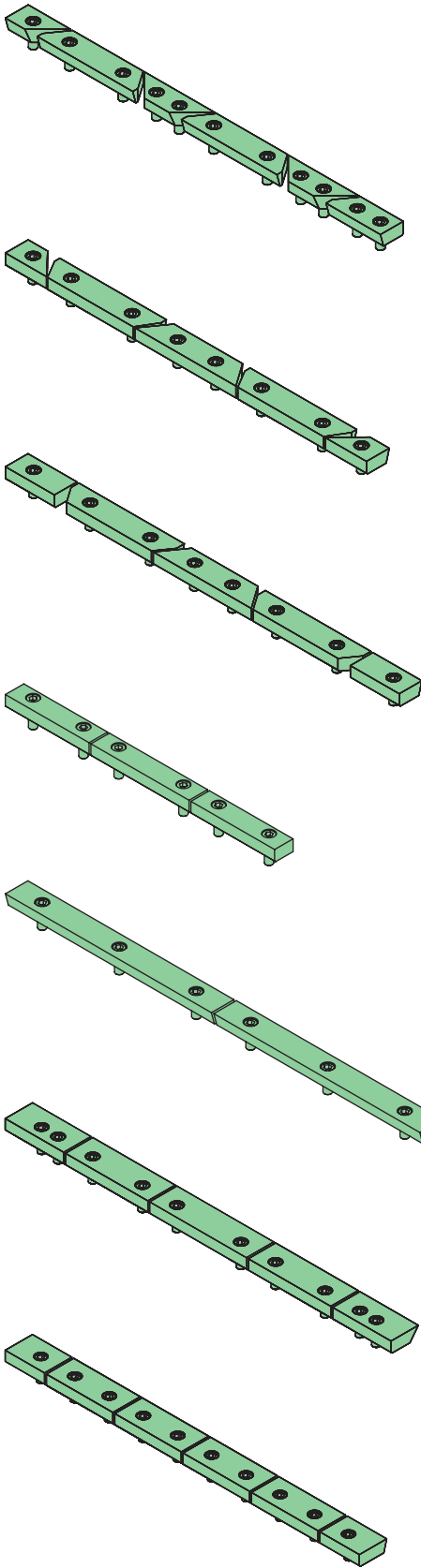
Article no.	Product	Description
467 277	Thrust ring	40,2-60-4,5mm, 9SMn28k
467 278	Thrust ring	55-80-2mm, 51CrV4
467 279	Thrust ring	65-85-2mm, 51CrV4
467 274	Thrust ring	65-85-3,5mm, 51CrV4
467 275	Thrust ring	66-95-2mm, 51CrV4
467 276	Thrust ring	56-95-2mm, 51CrV4

Sets of pressure plate blades



Article no.	Product	Description
467 153	Set of blades	15x60x688mm, X155CrVMo 12-1, hardened, 2 parts, with set of screws
467 152	Set of blades	15x60x990mm, X155CrVMo 12-1, hardened, 2 parts, with set of screws
467 157	Set of pressure plate blades	15x60x942mm, X155CrVMo 12-1, hardened, 5 parts, with set of screws
467 163	Set of pressure plate blades	20x60x977mm, X155CrVMo 12-1, hardened, 5 parts, with set of screws
467 158	Set of pressure plate blades	30x60x964mm, X155CrVMo 12-1, hardened, 6 parts, with set of screws
467 150	Set of pressure plate blades	30x60x977mm, X155CrVMo 12-1, hardened, 5 parts, with set of screws
467 160	Set of pressure plate blades	30x60x1024mm, X155CrVMo 12-1, hardened, 6 parts, with set of screws
467 168	Set of pressure plate blades	30x60x1037mm, X155CrVMo 12-1, hardened, 5 parts, with set of screws

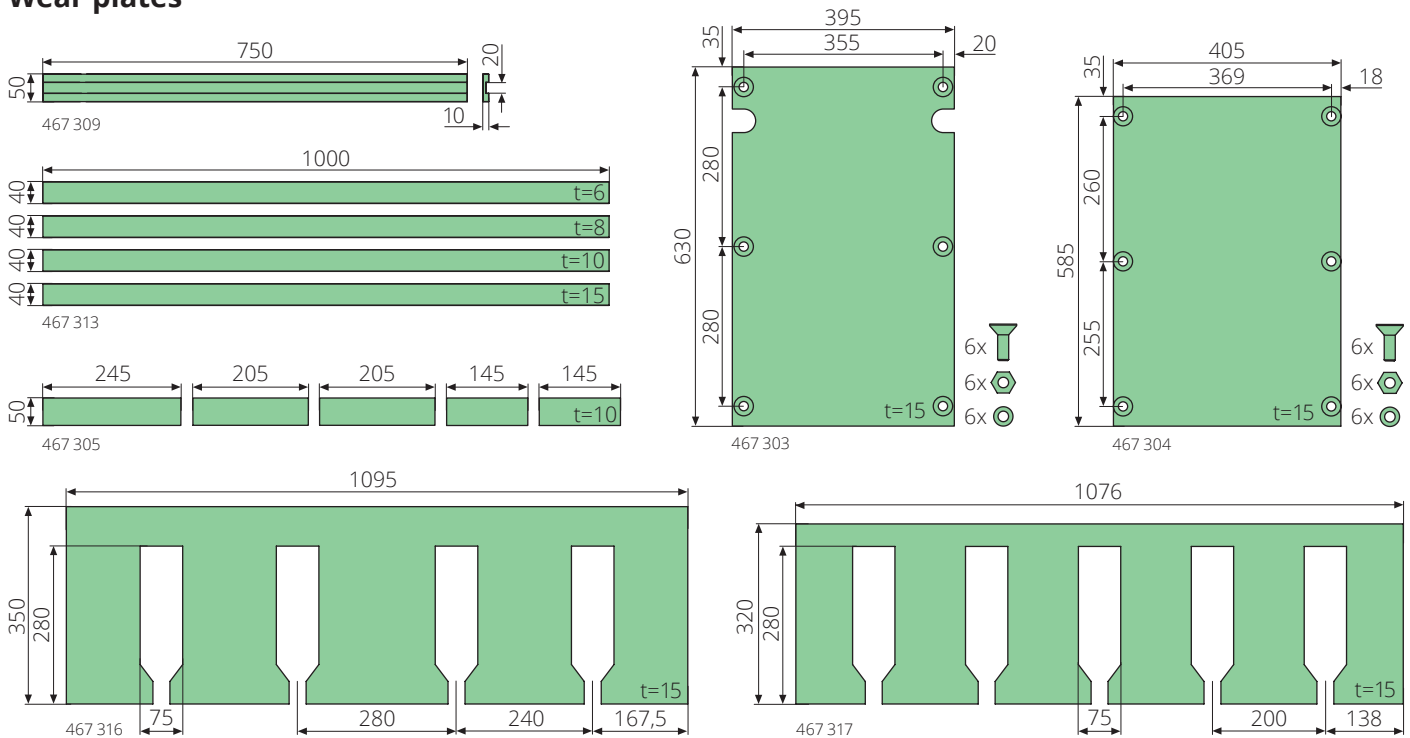
Sets of pressure plate blades



Sets of pressure plate blades Type PAAL

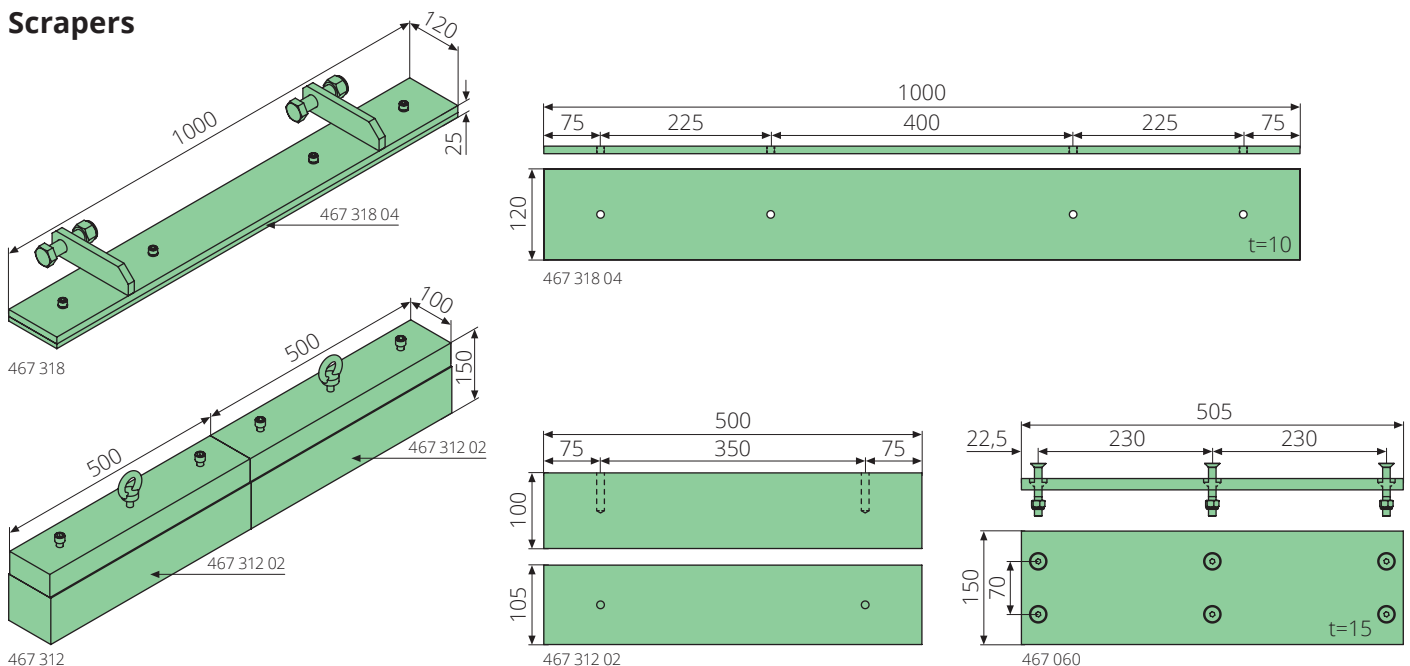
Article no.	Product	Description
467 162	Set of pressure plate blades	30x60x962mm, X155CrVMo 12-1, hardened, 6 parts, with set of screws
467 159	Set of pressure plate blades	30x60x931mm, X155CrVMo 12-1, hardened, 5 parts, with set of screws
467 161	Set of pressure plate blades	30x60x1045mm, X155CrVMo 12-1, hardened, 5 parts, with set of screws
467 165	Set of spacing plates	30x50x717mm, S235JR, 3 parts, with set of screws, for 467 161
467 169	Set of pressure plate blades	30x60x1096mm, X155CrVMo 12-1, hardened, 2 parts (left/right), with set of screws
467 166	Set of pressure plate blades	30x75x1037mm, X155CrVMo 12-1, hardened, 5 parts, with set of screws
467 164	Set of pressure plate blades	30x76.5x964mm, X155CrVMo 12-1, hardened, 6 parts, with set of screws

Wear plates



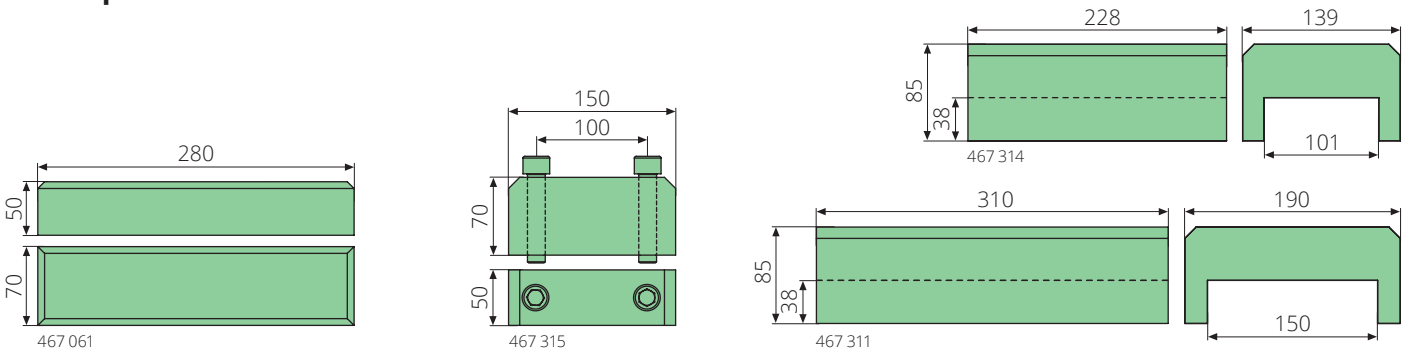
Article no.	Product	Description
467 309	Lateral wear strip	50x750x10mm, S235JR
467 313	Set of lower wear plates	40x1000x6/8/10/15mm, Hardox 450, 4 parts, for pressure plate
467 305	Set of lower wear plates	50x145/205/245x10mm, Hardox 450, 5 parts
467 303	Wear plate complete	395x630x15mm, Hardox 450, with screws & nuts
467 304	Wear plate complete	405x585x15mm, Hardox 450, with screws & nuts
467 316	Lower wear comb plate	1095x350x15mm, Hardox 450
467 317	Lower wear comb plate	1076x320x15mm, Hardox 450

Scrapers



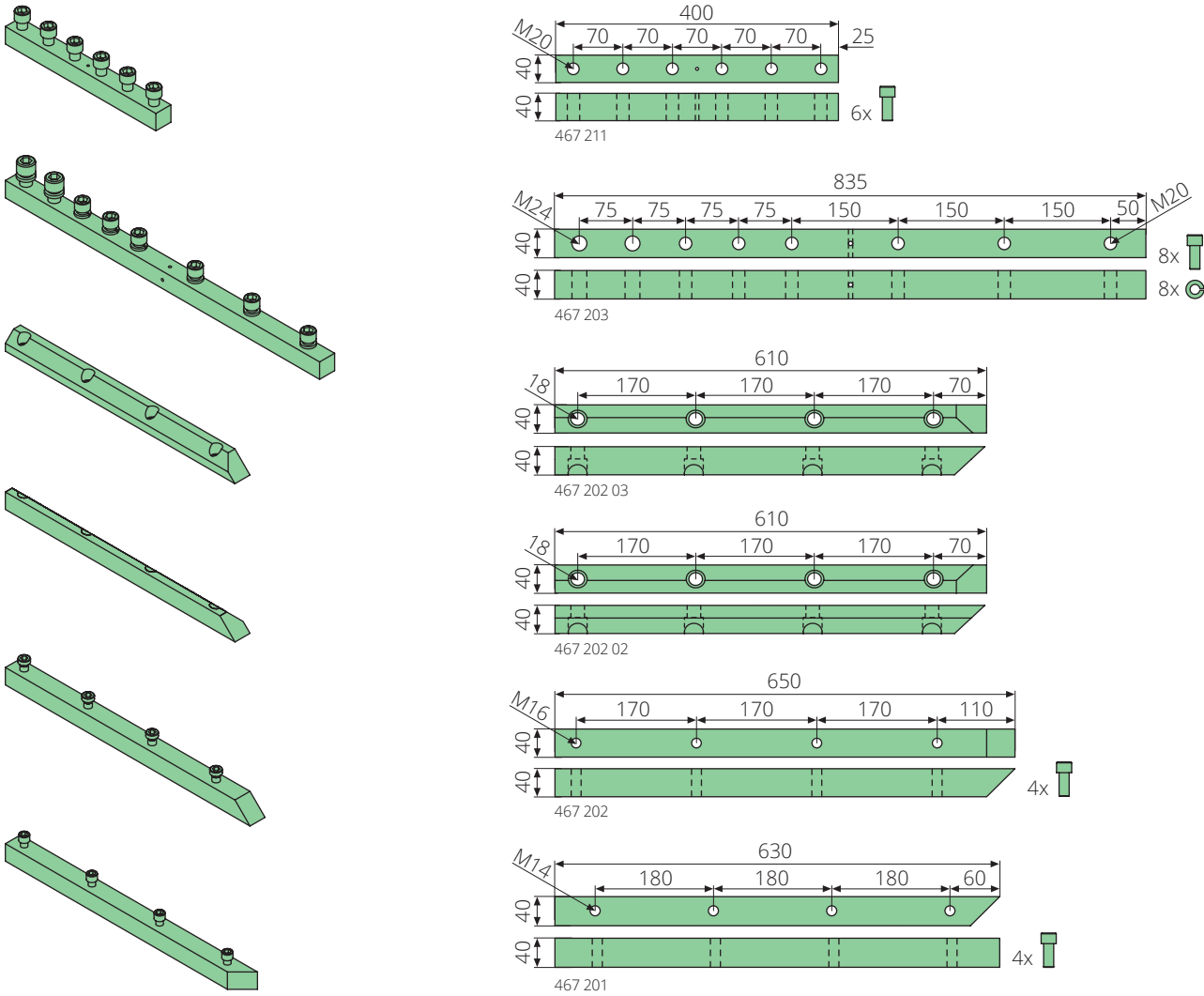
Article no.	Product	Description
467 318	Scraper complete	120x1000x25mm, welding latches & set of screws, in individual parts
467 318 04	Scraper	120x1000x10mm, PE, for 467 318
467 312	Scraper complete	105x1000x150mm, with eyebolts & screws
467 312 02	Scraper	105x500x100mm, PE, for 467 312
467 060	Scraper complete	505x15x150mm, PE, with screws & nuts

Guide profiles



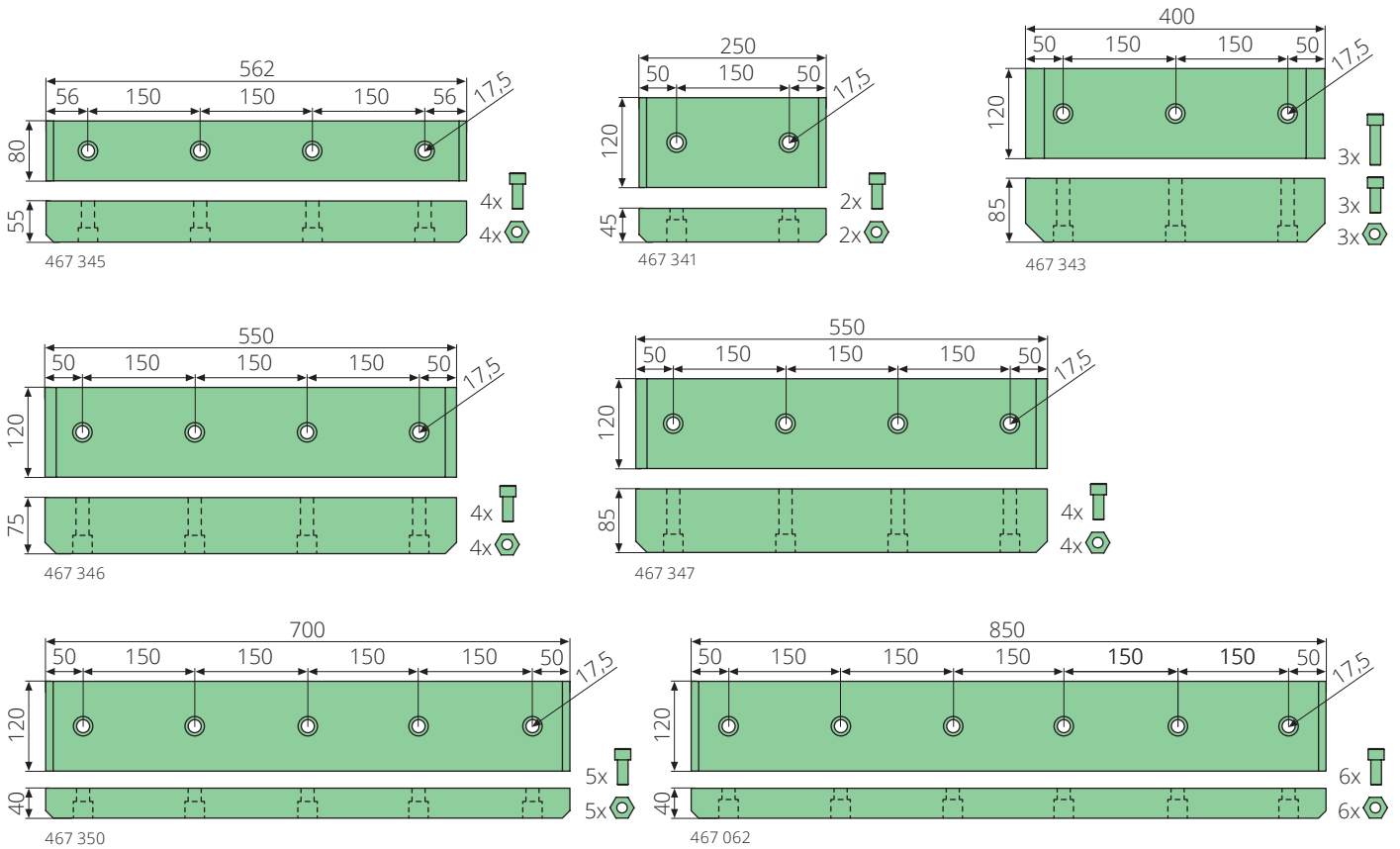
Article no.	Product	Description
467 061	Rear guide profile	50x70x280mm, PE
467 315	Lateral guide profile complete	70x50x150mm, PE, with screws
467 314	Guide profile	85x228x139mm, PE
467 311	Guide profile	85x310x190mm, PE

Guide bars

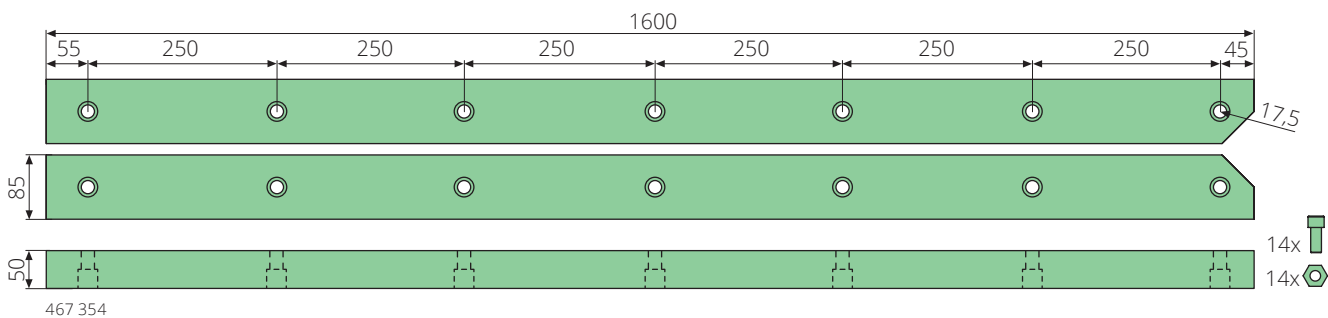
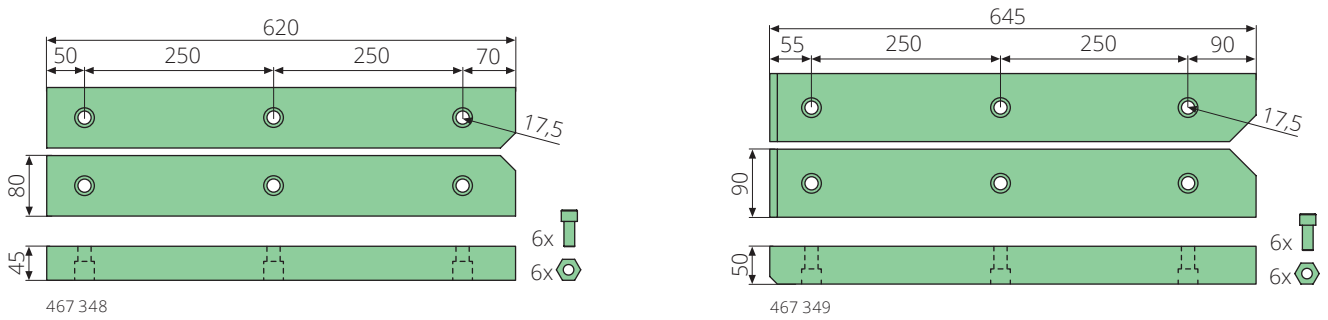


Article no.	Product	Description
467 211	Guide bar complete	400x40x40mm, MS58, bore M20, with screws
467 203	Guide bar complete	835x40x40mm, S235JR, bore 6xM20/2xM24, with screws & lock washers
467 202 03	Welding bracket	610x40x40mm, left, S235JR, Bores 18/25mm
467 202 02	Welding bracket	610x40x40mm, right, S235JR, Bores 18/25mm
467 202	Guide bar complete	650x40x40mm, MS58, bore M16, with screws, for 467 202 03 /-02
467 201	Guide bar complete	630x40x40mm, MS58, bore M14, with screws

Lateral guide profiles

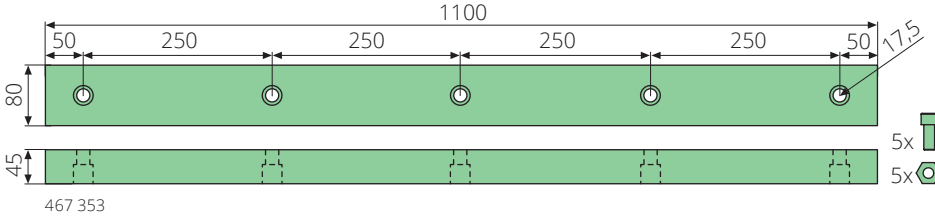
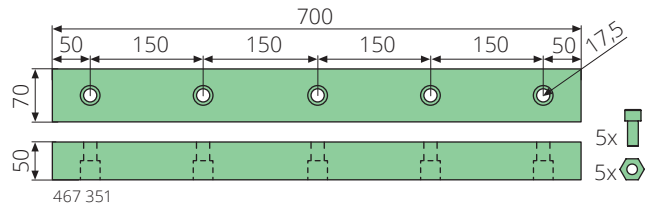
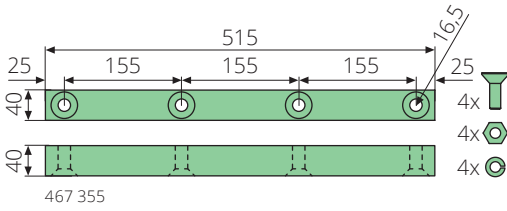


Article no.	Product	Description
467 345	Lateral guide profile complete	562x80x55mm, PE, with screws & nuts
467 341	Lateral guide profile complete	250x120x45mm, PE, with screws & nuts
467 343	Lateral guide profile complete	400x120x85mm, PE, with screws & nuts
467 346	Lateral guide profile complete	550x120x75mm, PE, with screws & nuts
467 347	Lateral guide profile complete	550x120x85mm, PE, with screws & nuts
467 350	Lateral guide profile complete	700x120x40mm, PE, with screws & nuts
467 062	Lateral guide profile complete	850x120x40mm, PE, with screws & nuts

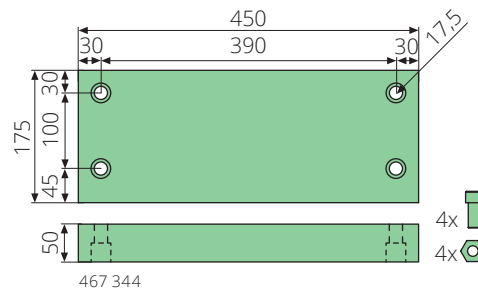
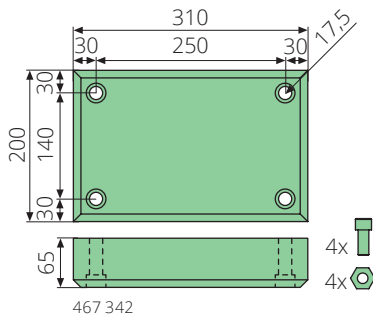


Article no.	Product	Description
467 348	Lateral guide profile complete	620x80x45mm, PE, 2 parts right/left, with screws & nuts
467 349	Lateral guide profile complete	645x90x50mm, PE, 2 parts right/left, with screws & nuts
467 354	Lateral guide profile complete	1600x85x50mm, PE, 2 parts right/left, with screws & nuts

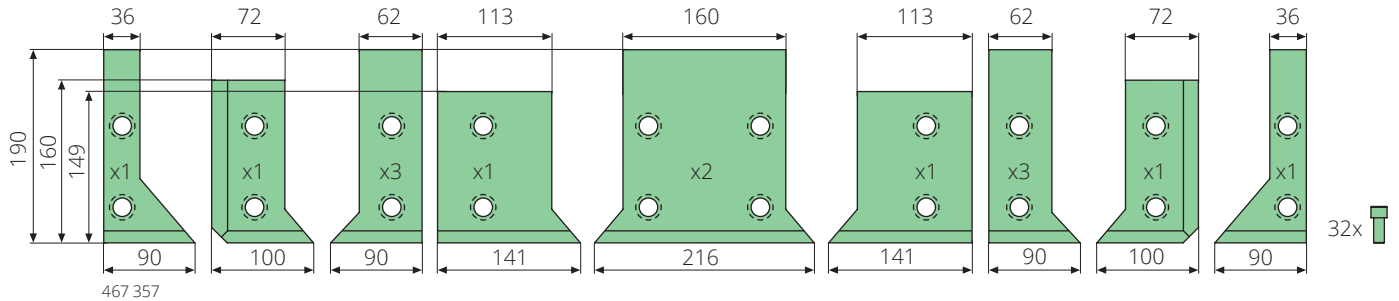
Lateral guide profiles



Article no.	Product	Description
467 355	Lateral guide profile complete	40x40x515mm, MS58, with screws, nuts & lock washers
467 351	Lateral guide profile complete	700x70x50mm, PE, with screws & nuts
467 353	Lateral guide profile complete	1100x80x45mm, PE, with screws & nuts

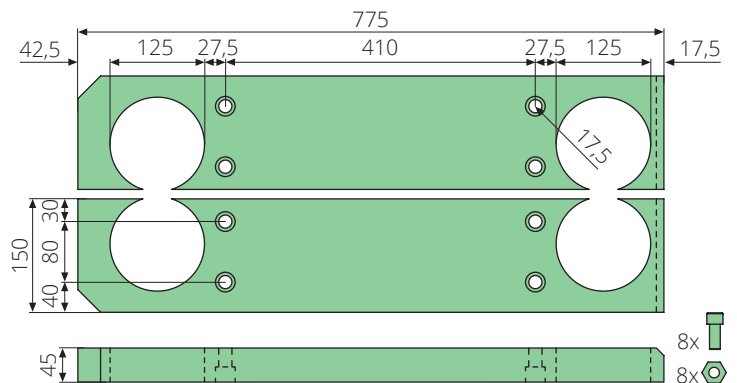
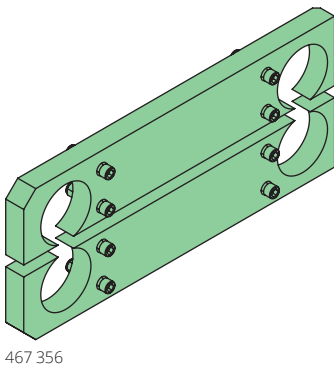


Article no.	Product	Description
467 342	Lateral guide profile complete	310x200x65mm, PE, with screws & nuts
467 344	Lateral guide profile complete	450x175x50mm, PE, with screws & nuts



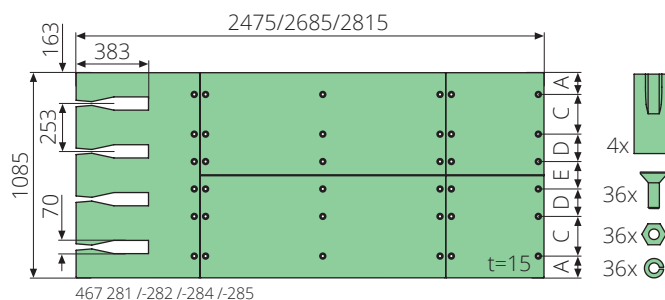
Article no.	Product	Description
467 357	Lateral guide profile complete	t=50mm, PE, 14 parts, with set of screws

Cover for track rollers

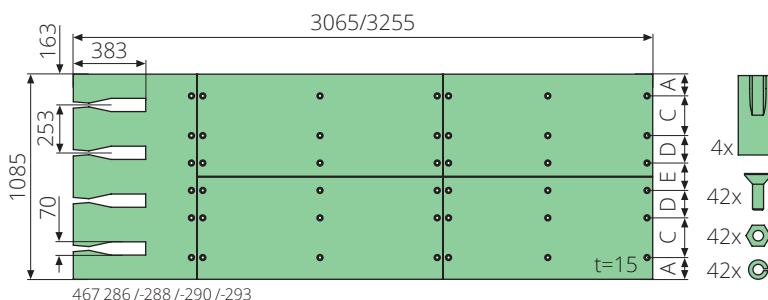


Article no.	Product	Description
467 356	Cover for track rollers comple	45x150x775mm, PE, 2 parts right/left, with screws & nuts

Sets of bottom wear plates for 4-fold lashing

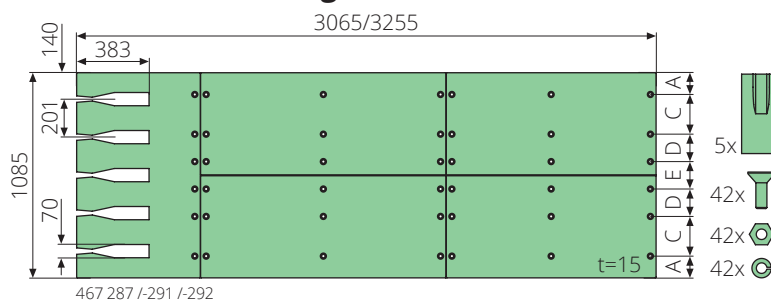


Article no.	Product	Description	A	C	D	E
467 281	Set of bottom wear plates	2475x1085mm, HARDOX 450, 36x set of screws, 4x groove plates	90mm	230mm	180mm	85mm
467 282	Set of bottom wear plates	2685x1085mm, HARDOX 450, 36x set of screws, 4x groove plates	90mm	230mm	180mm	85mm
467 284	Set of bottom wear plates	2815x1085mm, HARDOX 450, 36x set of screws, 4x groove plates	105mm	220mm	165mm	105mm
467 285	Set of bottom wear plates	2815x1085mm, HARDOX 450, 36x set of screws, 4x groove plates	90mm	230mm	180mm	85mm
467 281 04	Groove plate	120x60x15mm, HARDOX 450				



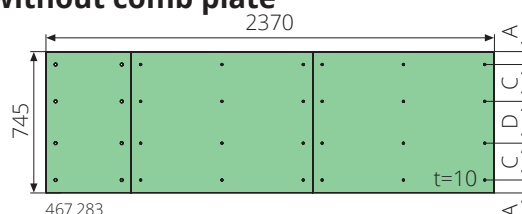
Article no.	Product	Description	A	C	D	E
467 286	Set of bottom wear plates	3065x1085mm, HARDOX 450, 42x set of screws, 4x groove plates	105mm	220mm	165mm	105mm
467 288	Set of bottom wear plates	3065x1085mm, HARDOX 450, 42x set of screws, 4x groove plates	90mm	230mm	180mm	85mm
467 290	Set of bottom wear plates	3255x1085mm, HARDOX 450, 42x set of screws, 4x groove plates	105mm	220mm	165mm	105mm
467 293	Set of bottom wear plates	3255x1085mm, HARDOX 450, 42x set of screws, 4x groove plates	90mm	230mm	180mm	85mm
467 281 04	Groove plate	120x60x15mm, HARDOX 450				

Sets of bottom wear plates for 5-fold lashing



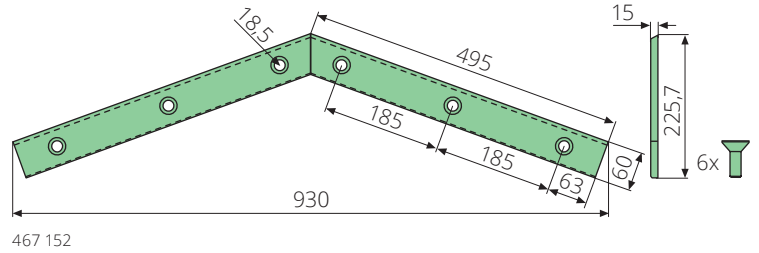
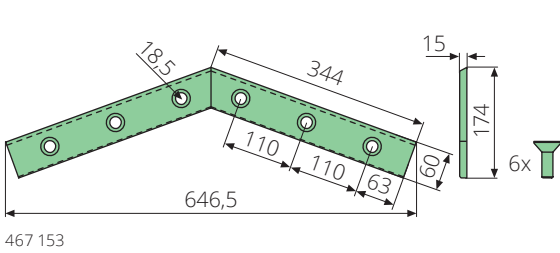
Article no.	Product	Description	A	C	D	E
467 287	Set of bottom wear plates	3065x1085mm, HARDOX 450, 42x set of screws, 5x groove plates	90mm	190mm	190mm	145mm
467 291	Set of bottom wear plates	3255x1085mm, HARDOX 450, 42x set of screws, 5x groove plates	105mm	220mm	190mm	55mm
467 292	Set of bottom wear plates	3255x1085mm, HARDOX 450, 42x set of screws, 5x groove plates	90mm	190mm	190mm	145mm
467 281 04	Groove plate	120x60x15mm, HARDOX 450				

Sets of bottom wear plates without comb plate

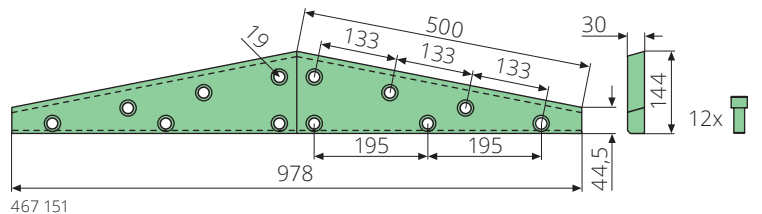
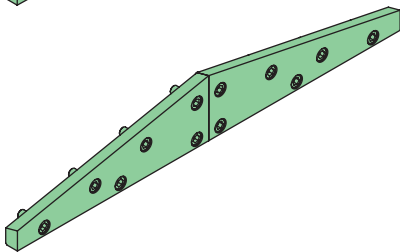
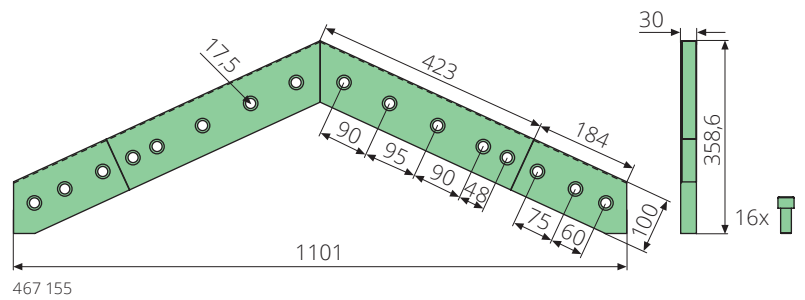
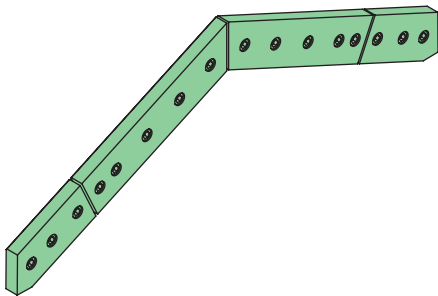
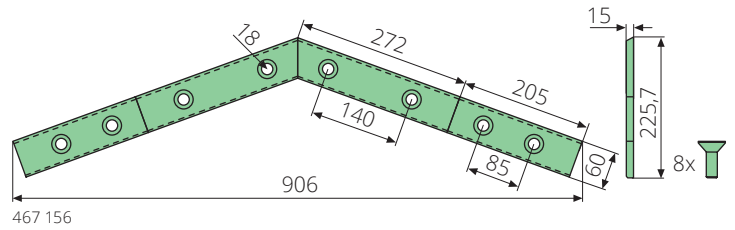
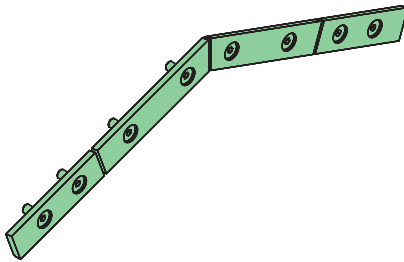


Article no.	Product	Description	A	C	D
467 283	Set of bottom wear plates	2370x745mm, HARDOX 450	67mm	195mm	221mm

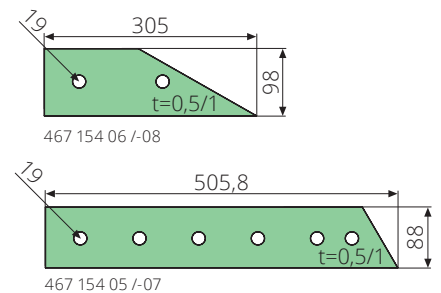
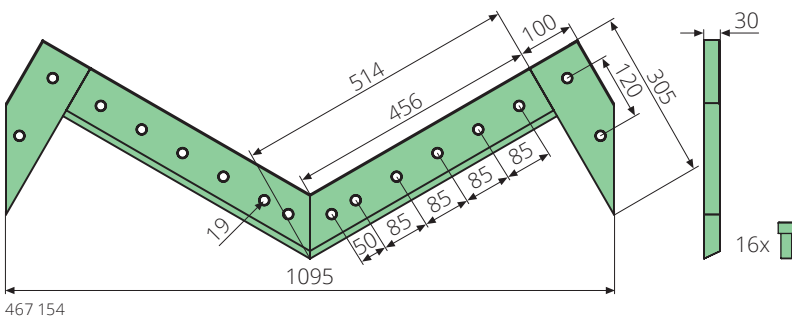
Sets of counter blades



Article no.	Product	Description
467 153	Set of blades	15x60x688mm, X155CrVMo 12-1, hardened, 2 parts, with set of screws
467 152	Set of blades	15x60x990mm, X155CrVMo 12-1, hardened, 2 parts, with set of screws



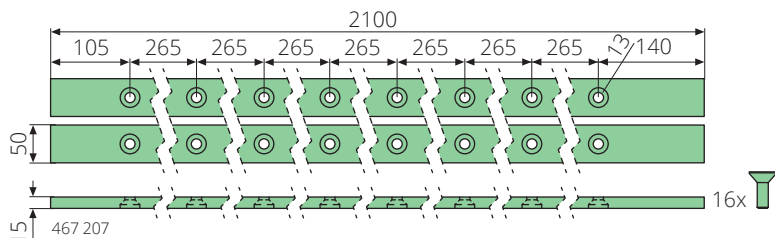
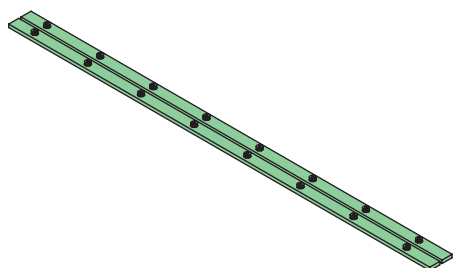
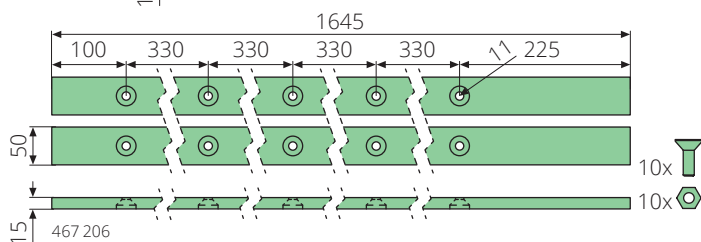
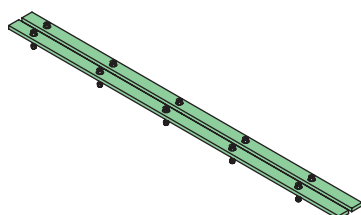
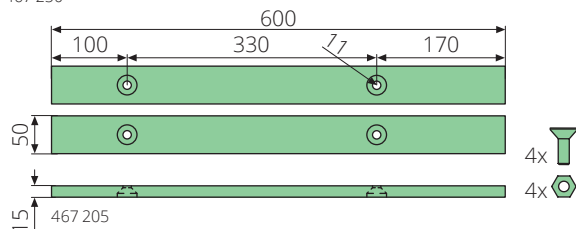
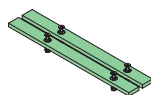
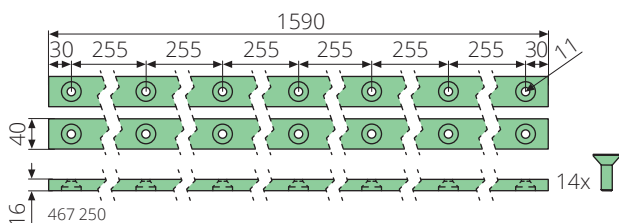
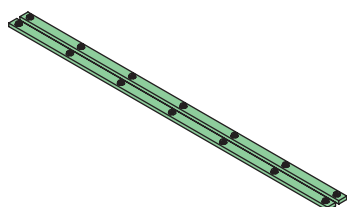
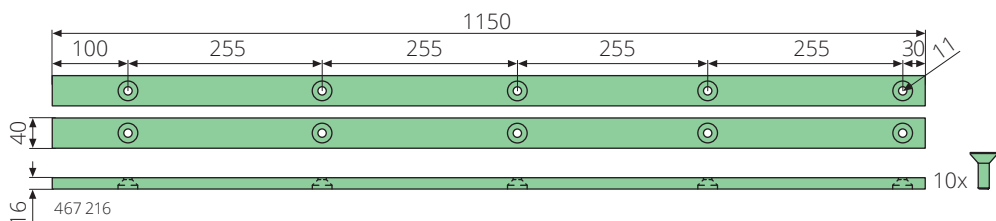
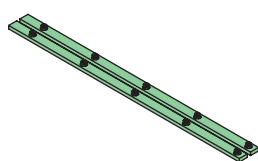
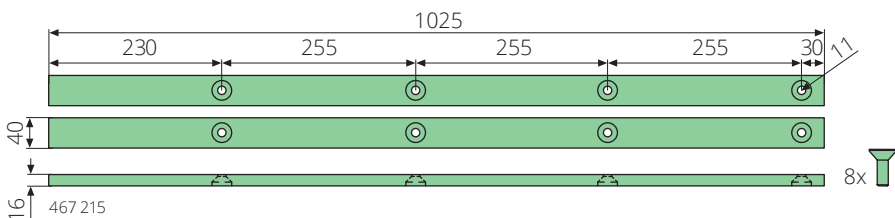
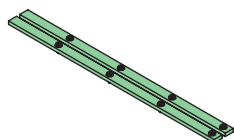
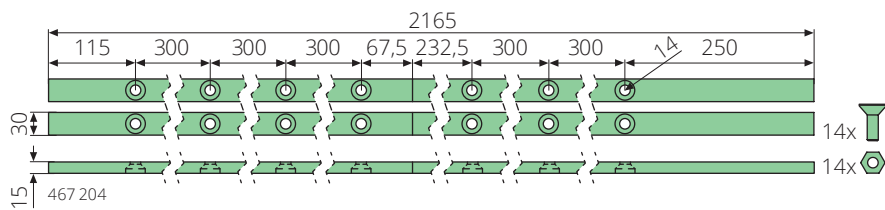
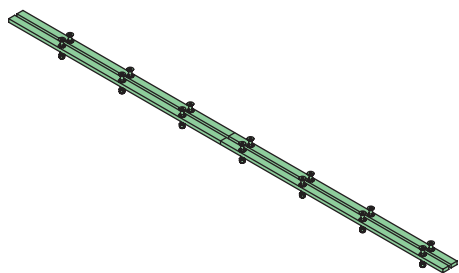
Article no.	Product	Description
467 156	Set of counter blades	15x906x126,5mm, X155CrVMo 12-1, 4 parts, with set of screws
467 155	Set of counter blades	30x1101x358,6mm, X155CrVMo 12-1, 4 parts, with set of screws
467 151	Set of counter blades	30x978x144mm, X155CrVMo 12-1, 2 parts, with set of screws



Article no.	Product	Description
467 154	Set of counter blades	30x1095x393,6mm, X155CrVMo 12-1, 4 parts, with set of screws
467 154 06	Shim	0,5x305x98mm, S355J2
467 154 05	Shim	0,5x505,8x88, S355J2
467 154 08	Shim	1x305x98mm, S355J2
467 154 07	Shim	1x505,8x88mm, S355J2

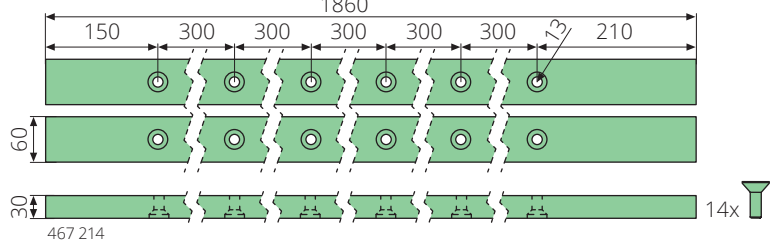
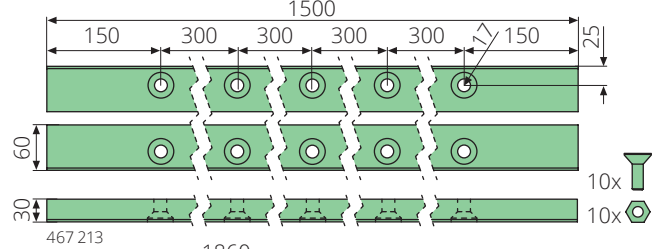
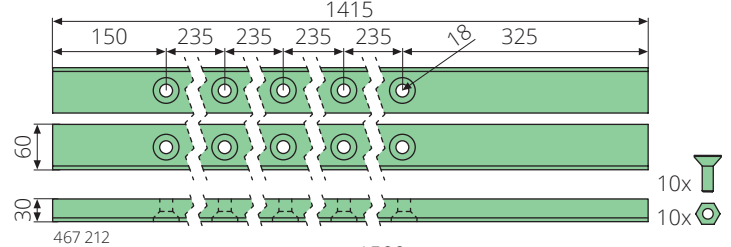
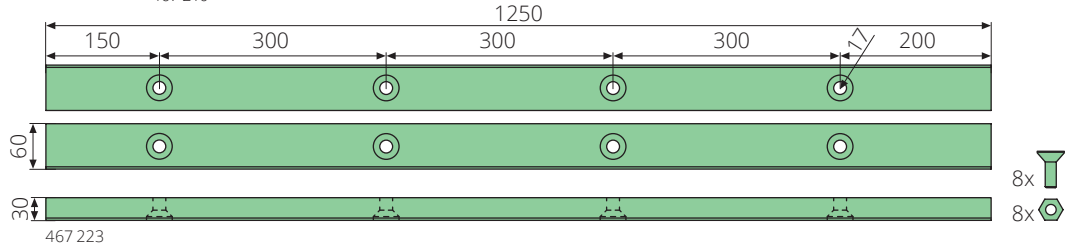
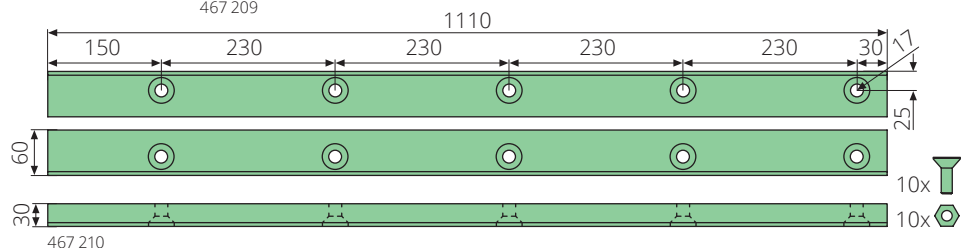
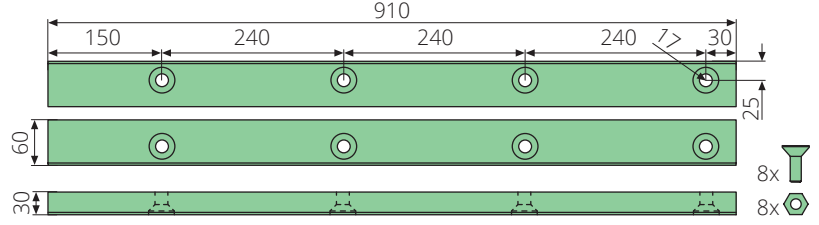
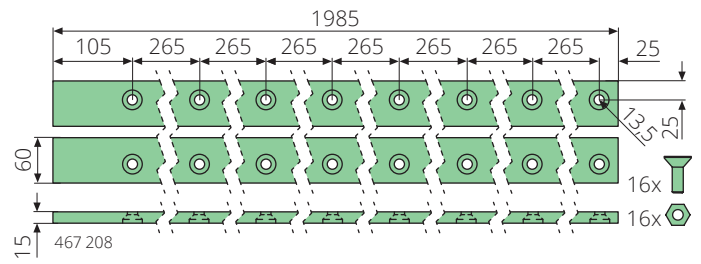
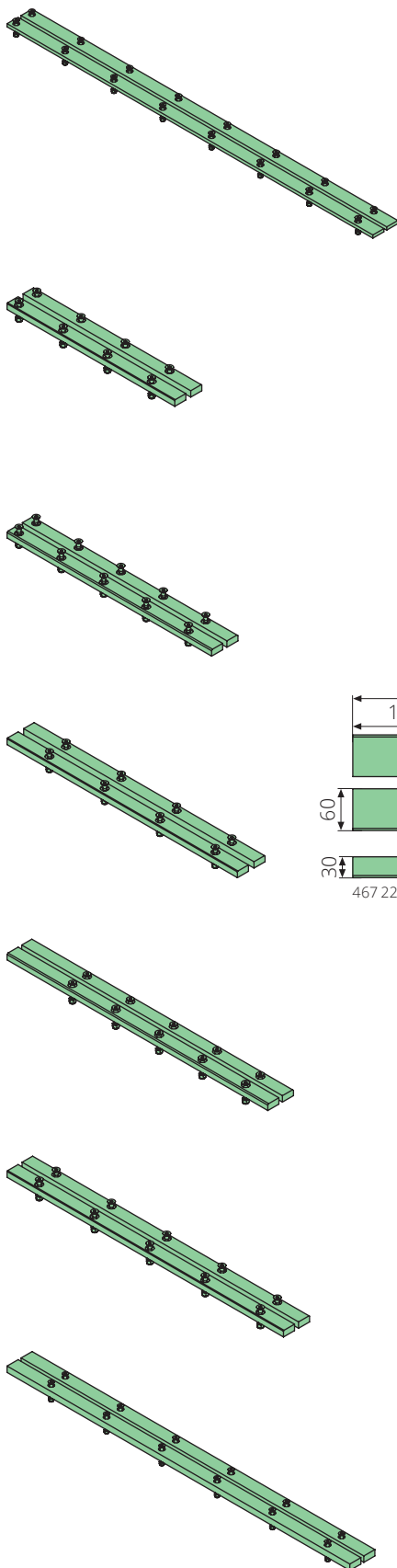
Sets of bottom wear plates / Sets of counter blades Type PAAL

Sets of guide rails



Article no.	Product	Description
467 204	Set of guide rails	30x15x2165mm, 42CrMo4, 4 parts (divided), with screws & nuts
467 215	Set of guide rails	40x15x1025mm, 42CrMo4, 2 parts, with screws
467 216	Set of guide rails	40x15x1150mm, 42CrMo4, 2 parts, with screws
467 250	Set of guide rails	40x15x1590mm, 42CrMo4, 2 parts, with screws
467 205	Set of guide rails	50x15x600mm, 42CrMo4, 2 parts, with screws & nuts
467 206	Set of guide rails	50x15x1645mm, 42CrMo4, 2 parts, with screws & nuts
467 207	Set of guide rails	50x15x2100mm, 42CrMo4, 2 parts, with screws

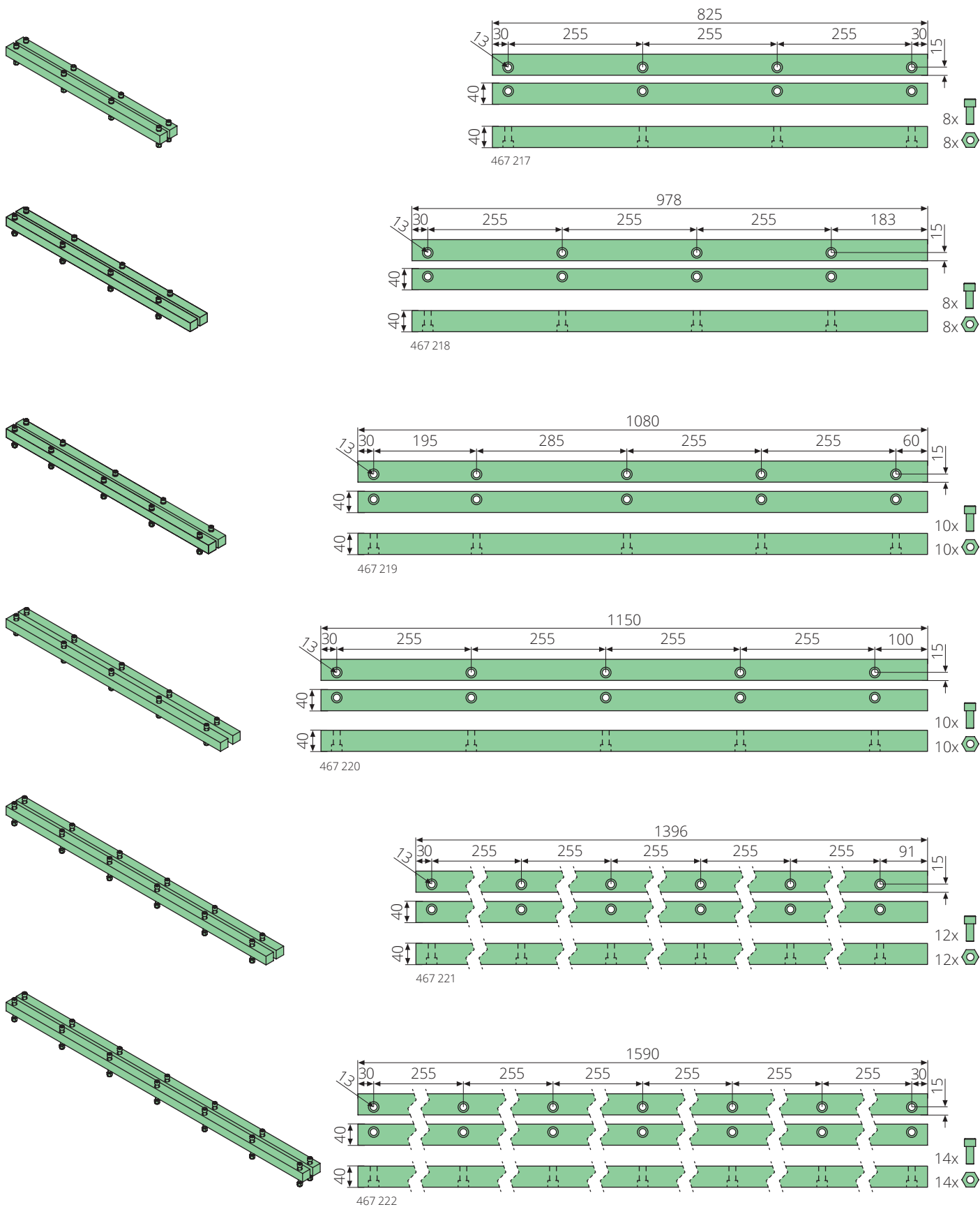
Sets of guide rails



Article no.	Product	Description
467 208	Set of guide rails	60x15x1985mm, 42CrMo4, 2 parts (left/right), with screws & nuts
467 209	Set of guide rails	60x30x910mm, 42CrMo4, 2 parts (left/right), with screws & nuts
467 210	Set of guide rails	60x30x1110mm, 42CrMo4, 2 parts (left/right), with screws & nuts
467 223	Set of guide rails	60x30x1250mm, 42CrMo4, 2 parts (left/right), with screws & nuts
467 212	Set of guide rails	60x30x1415mm, 42CrMo4, 2 parts (left/right), with screws & nuts
467 213	Set of guide rails	60x30x1500mm, 42CrMo4, 2 parts, with screws & nuts
467 214	Set of guide rails	60x30x1860mm, 42CrMo4, 2 parts, with screws & nuts

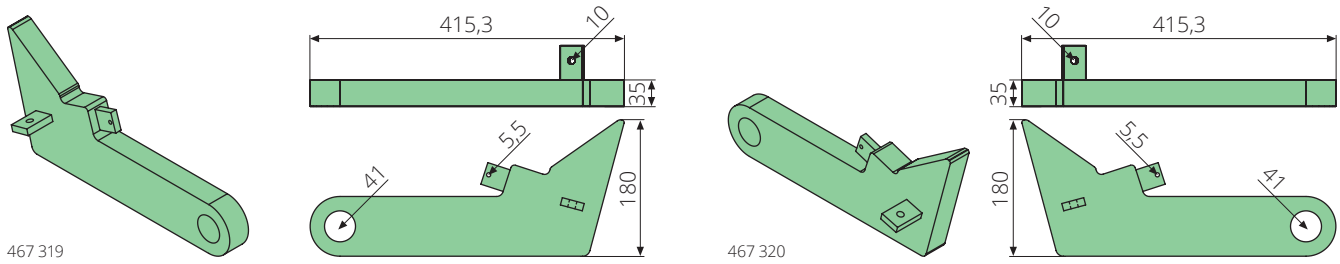
Sets of guide rails Type PAAL

Sets of guide rails



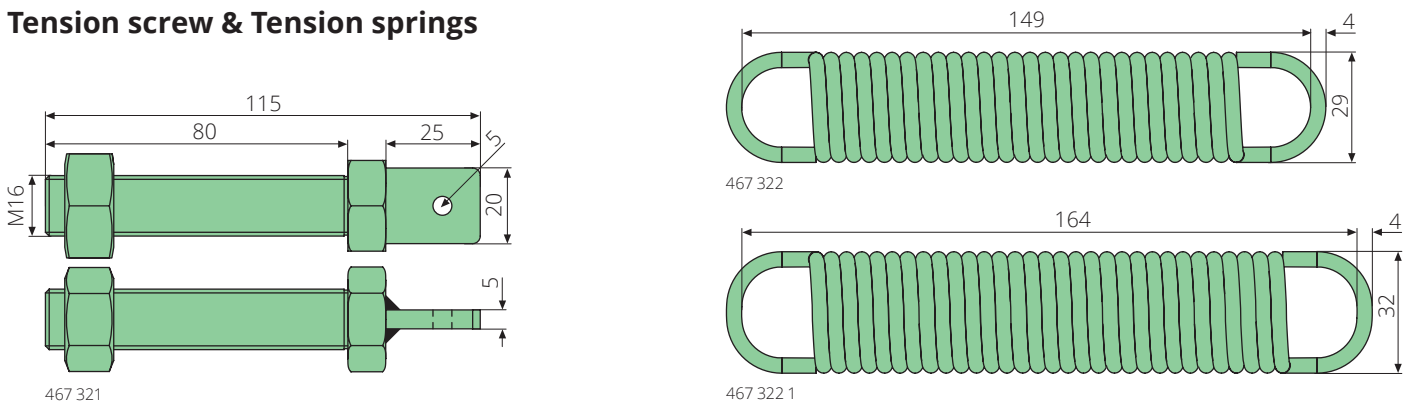
Article no.	Product	Description
467 217	Set of guide rails	40x40x825mm, 42CrMo4, 2 parts, with screws & nuts
467 218	Set of guide rails	40x40x978mm, 42CrMo4, 2 parts (left/right), with screws & nuts
467 219	Set of guide rails	40x40x1080mm, 42CrMo4, 2 parts (left/right), with screws & nuts
467 220	Set of guide rails	40x40x1150mm, 42CrMo4, 2 parts (left/right), with screws & nuts
467 221	Set of guide rails	40x40x1396mm, 42CrMo4, 2 parts (left/right), with screws & nuts
467 222	Set of guide rails	40x40x1590mm, 42CrMo4, 2 parts, with screws & nuts

Material retainers



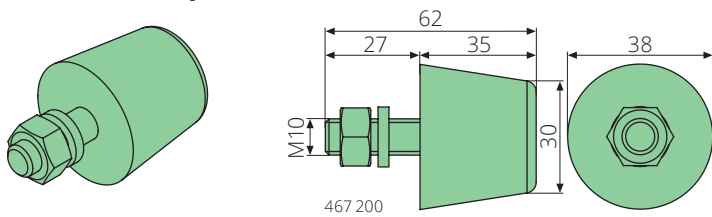
Article no.	Product	Description
467 319	Material retainer	180x415,3x35mm, left, S355J2
467 320	Material retainer	180x415,3x35mm, right, S355J2

Tension screw & Tension springs



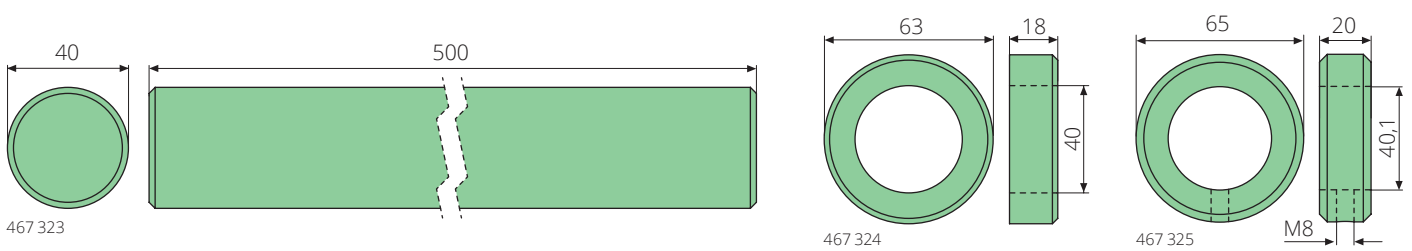
Article no.	Product	Description
467 321	Tension screw	M16x80mm, with nut M16
467 322	Tension spring	149x29mm, wire D=4mm
467 322 1	Tension spring	164x32mm, wire D=4mm

Rubber bumper



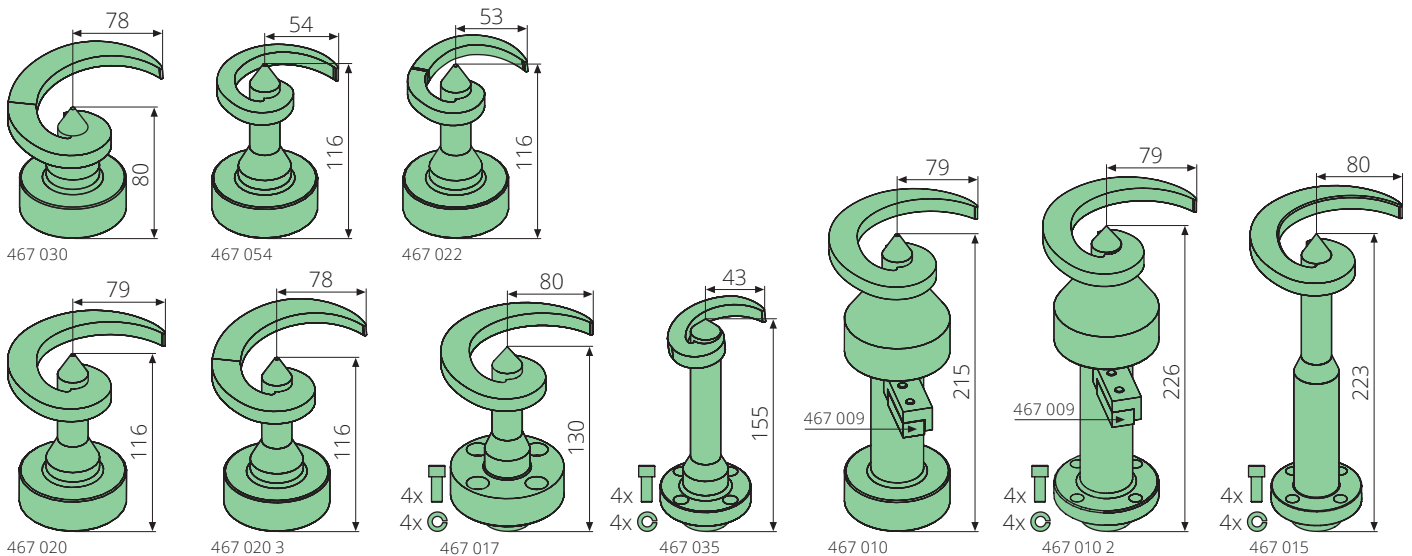
Article no.	Product	Description
467 200	Rubber bumper complete	62x38mm, rubber, with nut & spring washer

Bolt for side wal



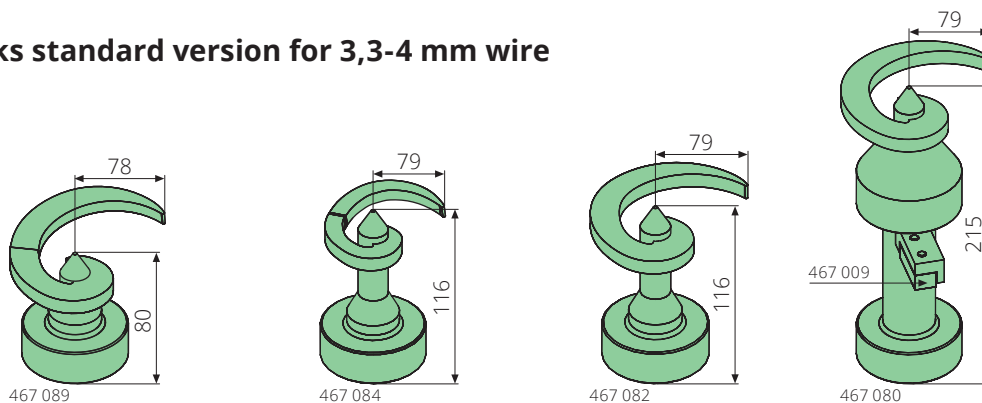
Article no.	Product	Description
467 323	Bolt for side wall	40x500mm, C45k
467 324	Collar	40-63-18mm, S355J2
467 325	Collar	40,1-65-20mm, S355J2, with bore M8

Twisting hooks standard version for 2,2-3,2 mm wire



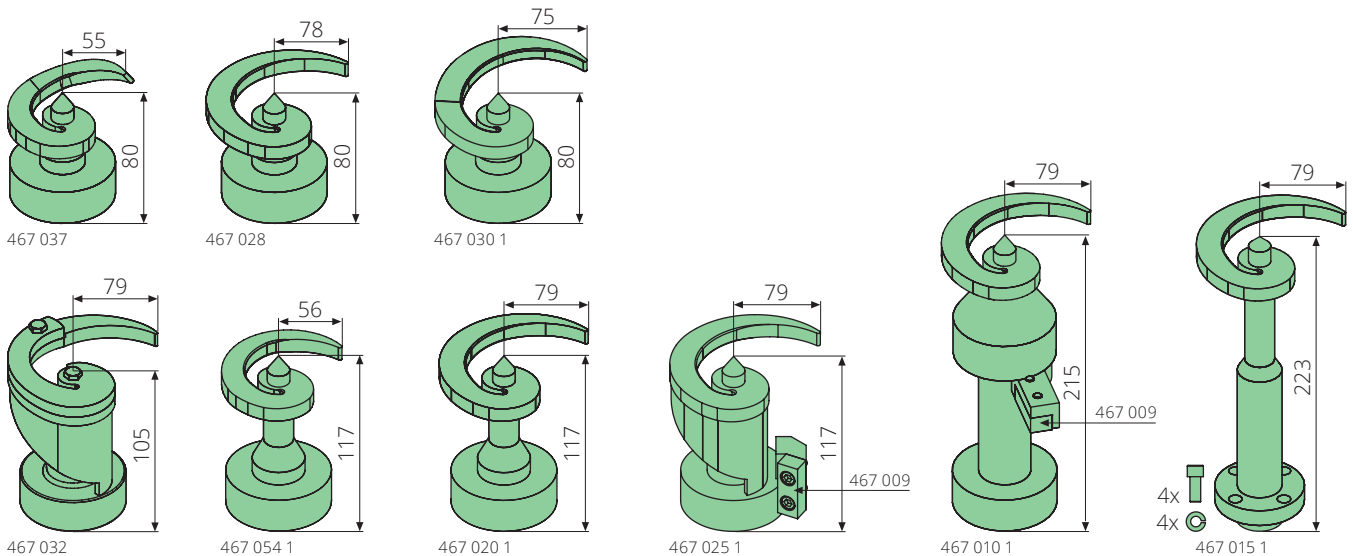
Article no.	Product	Description
467 030	Twisting hook	H=80mm, left, hook HARDOX 500, cranked, primed
467 031	Twisting hook	H=80mm, right, hook HARDOX 500, cranked, primed
467 054	Twisting hook	H=116mm, left, hook HARDOX 500, ksmall hook, primed
467 055	Twisting hook	H=116mm, right, hook HARDOX 500, small hook, primed
467 022	Twisting hook	H=116mm, left, hook HARDOX 500, cranked, small hook, primed
467 023	Twisting hook	H=116mm, right, hook HARDOX 500, cranked, small hook, primed
467 020	Twisting hook	H=116mm, left, hook HARDOX 500, primed
467 021	Twisting hook	H=116mm, right, hook HARDOX 500, primed
467 020 3	Twisting hook	H=116mm, left, hook HARDOX 500, cranked, primed
467 021 3	Twisting hook	H=116mm, right, hook HARDOX 500, cranked, primed
467 017	Twisting hook	H=130mm, left, hook HARDOX 500, with screws & lock washers, primed
467 018	Twisting hook	H=130mm, right, hook HARDOX 500, with screws & lock washers, primed
467 035	Twisting hook	H=155mm, left, hook HARDOX 500, with screws & lock washers, primed
467 036	Twisting hook	H=155mm, right, hook HARDOX 500, with screws & lock washers, primed
467 010	Twisting hook	H=215mm, left, hook HARDOX 500, with wire cutting blade 467 009, primed
467 011	Twisting hook	H=215mm, right, hook HARDOX 500, with wire cutting blade 467 009, primed
467 010 2	Twisting hook	H=226mm, left, hook HARDOX 500, with wire cutting blade 467 009, screws & lock washers, primed
467 011 2	Twisting hook	H=226mm, right, hook HARDOX 500, with wire cutting blade 467 009, screws & lock washers, primed
467 015	Twisting hook	H=223mm, left, hook HARDOX 500, with screws & lock washers, primed
467 016	Twisting hook	H=223mm, right, hook HARDOX 500, with screws & lock washers, primed

Twisting hooks standard version for 3,3-4 mm wire



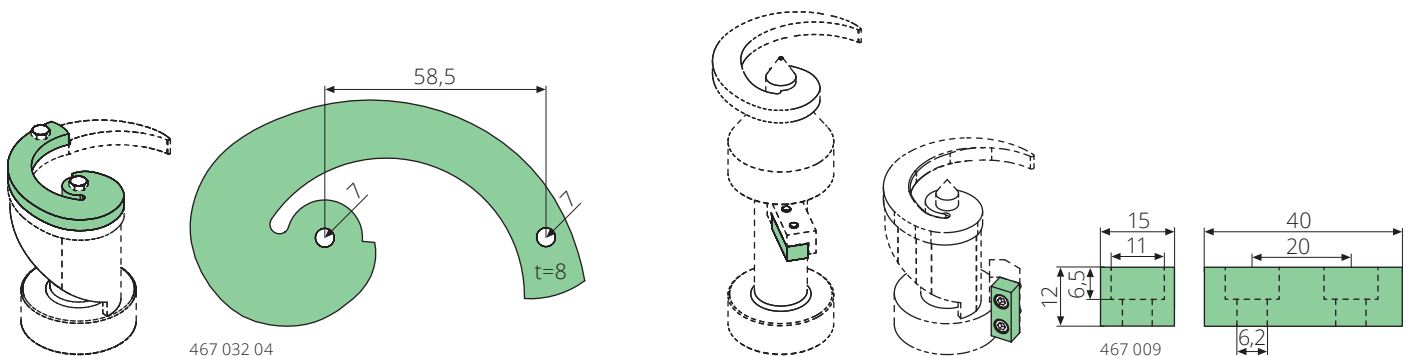
Article no.	Product	Description
467 089	Twisting hook	H=80mm, left, hook HARDOX 500, primed
467 090	Twisting hook	H=80mm, right, hook HARDOX 500, primed
467 084	Twisting hook	H=116mm, left, hook HARDOX 500, cranked, primed
467 085	Twisting hook	H=116mm, right, hook HARDOX 500, cranked, primed
467 082	Twisting hook	H=116mm, left, hook HARDOX 500, primed
467 083	Twisting hook	H=116mm, right, hook HARDOX 500, primed
467 080	Twisting hook	H=215mm, left, hook HARDOX 500, with wire cutting blade 467 009, primed
467 081	Twisting hook	H=215mm, right, hook HARDOX 500, with wire cutting blade 467 009, primed

Twisting hooks new version for 2,2-4 mm wire



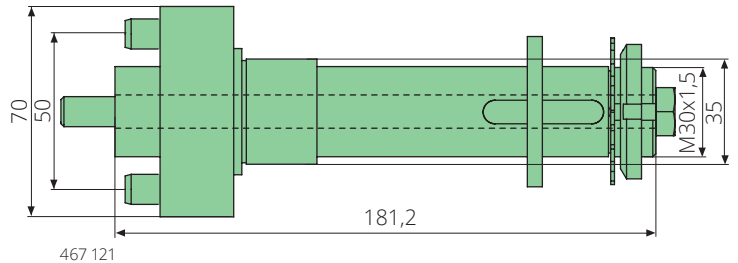
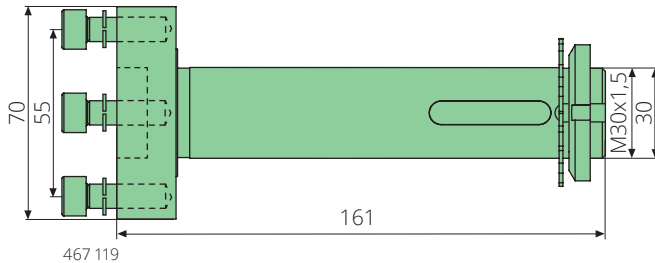
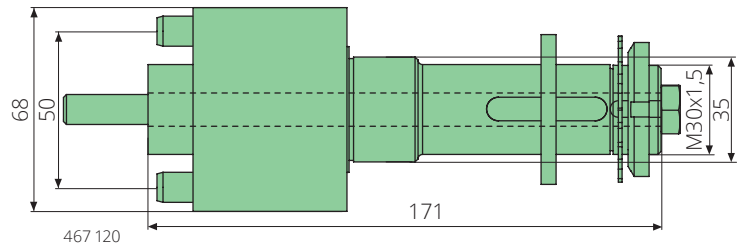
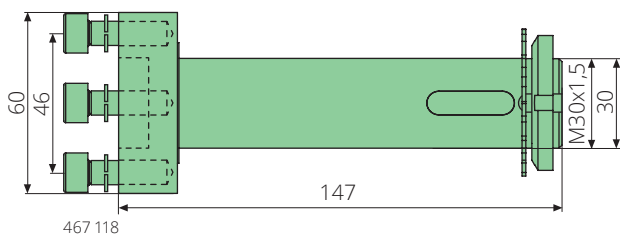
Article no.	Product	Description
467 037	Twisting hook	H=80mm, left, hook HARDOX 500, cranked, small hook, primed
467 038	Twisting hook	H=80mm, right, hook HARDOX 500, cranked, small hook, primed
467 028	Twisting hook	H=80mm, left, hook HARDOX 500, primed
467 029	Twisting hook	H=80mm, right, hook HARDOX 500, primed
467 030 1	Twisting hook	H=80mm, left, hook HARDOX 500, cranked, primed
467 031 1	Twisting hook	H=80mm, right, hook HARDOX 500, cranked, primed
467 032	Twisting hook	H=105mm, left, hook HARDOX 500, with exchangeable wear plate, primed
467 054 1	Twisting hook	H=117mm, left, hook HARDOX 500, small hook, galvanized
467 055 1	Twisting hook	H=117mm, right, hook HARDOX 500, small hook, galvanized
467 020 1	Twisting hook	H=117mm, left, hook HARDOX 500, primed
467 021 1	Twisting hook	H=117mm, right, hook HARDOX 500, primed
467 025 1	Twisting hook	H=117mm, left, hook HARDOX 500, with wire cutting blade 467 009, primed
467 026 1	Twisting hook	H=117mm, right, hook HARDOX 500, with wire cutting blade 467 009, primed
467 010 1	Twisting hook	H=215mm, left, hook HARDOX 500, with wire cutting blade 467 009, galvanized
467 011 1	Twisting hook	H=215mm, right, hook HARDOX 500, with wire cutting blade 467 009, galvanized
467 015 1	Twisting hook	H=223mm, left, hook HARDOX 500, with screws & lock washers, primed
467 016 1	Twisting hook	H=223mm, right, hook HARDOX 500, with screws & lock washers, primed

Accessories for twisting hooks



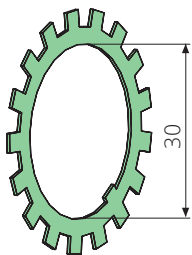
Article no.	Product	Description
467 032 04	Wear plate	exchangeable
467 009	Wire cutting blade	40x12x15mm, X45NiCrMo4, hardened

Shafts for twisting hooks

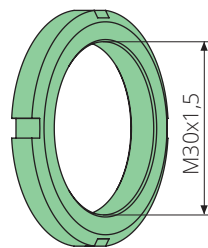


Article no.	Product	Description
467 118	Shaft for twisting hook complete	30/60x147mm, 42CrMo4, with lock nut, lock washer, parallel key & screws
467 119	Shaft for twisting hook complete	30/70x161mm, 42CrMo4, with lock nut, lock washer, parallel key & screws
467 120	Shaft for twisting hook complete	35/68x171mm, 42CrMo4, with lock nut, lock washer, parallel key, pins & screw
467 121	Shaft for twisting hook complete	35/70x181,2mm, 42CrMo4, with lock nut, lock washer, parallel key, pins & screw

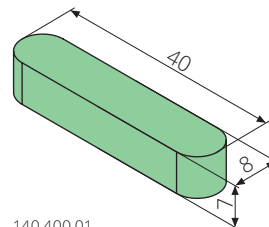
Article no.	Product	Description
160 310 01	Needle axial ball bearing	30-48,2-30mm, DIN 5429, NKX-30-Z
160 100 07	Ball bearing	30-55-13mm, DIN 625, 6006-2RS
160 100 05	Ball bearing	30-62-16mm, DIN 625, 6206-2RS
160 100 03	Ball bearing	35-62-14mm, DIN 625, 6007-2RS



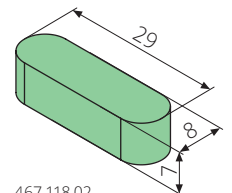
150 500 01



120 910 03



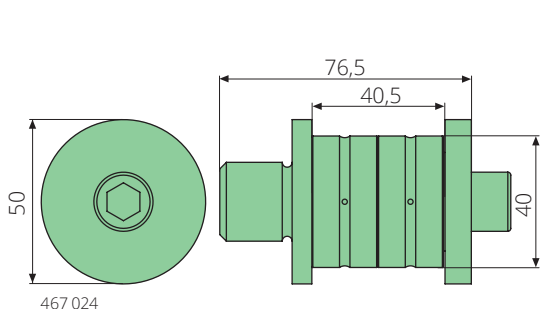
140 400 01



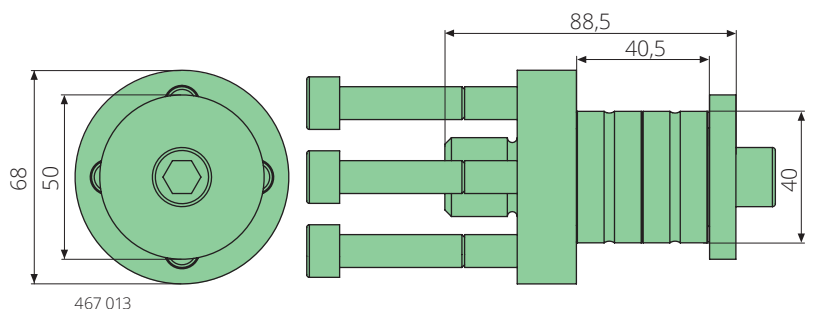
467 118 02

Article no.	Product	Description
150 500 01	Lock washer	d=30mm, t=1,25mm, MB06, DIN 5406
120 910 03	Lock nut	M30x1,5mm, KM06, DIN 981
140 400 01	Parallel key	8x7x40mm, DIN 6885
467 118 02	Parallel key	8x7x29mm

Link bolts



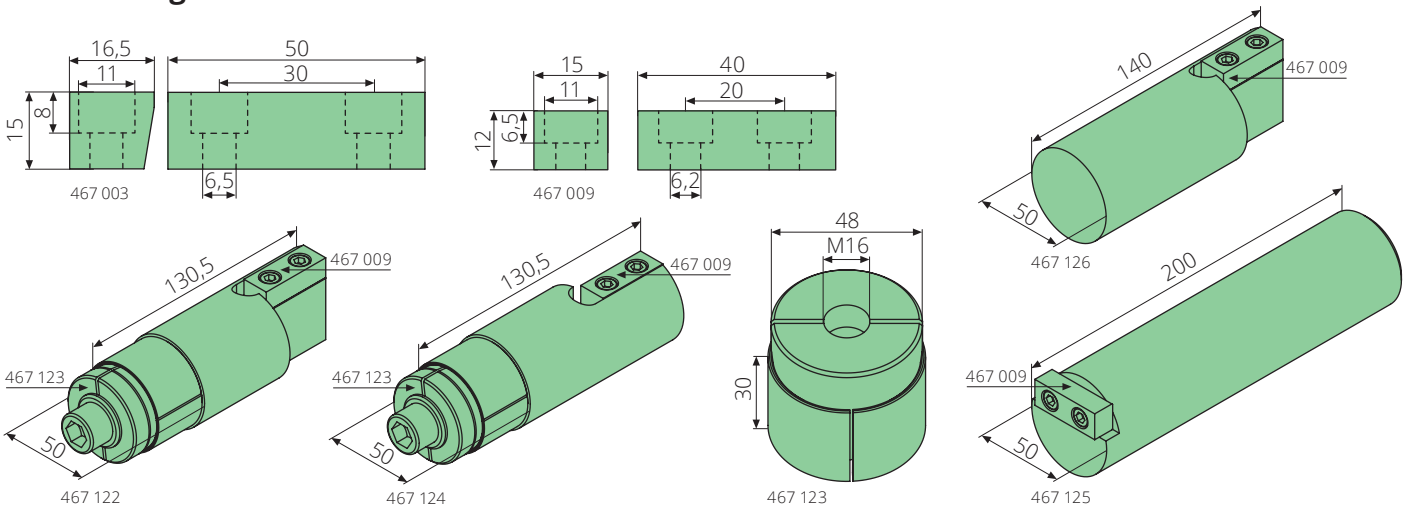
467 024



467 013

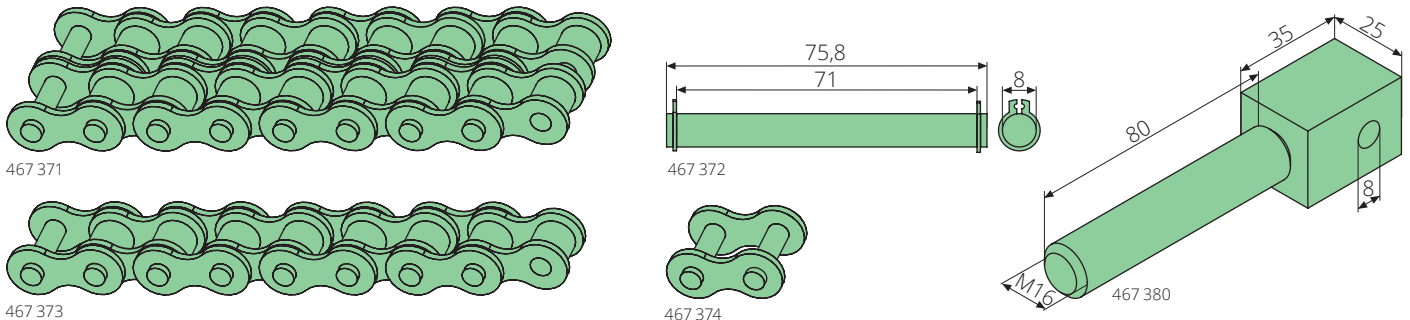
Article no.	Product	Description
467 024	Link bolt	40x76,5mm, with bearings, screws & washer
467 013	Link bolt complete	40x88,5mm, with bearings, screws & washer

Wire cutting blades / Mounts for blades

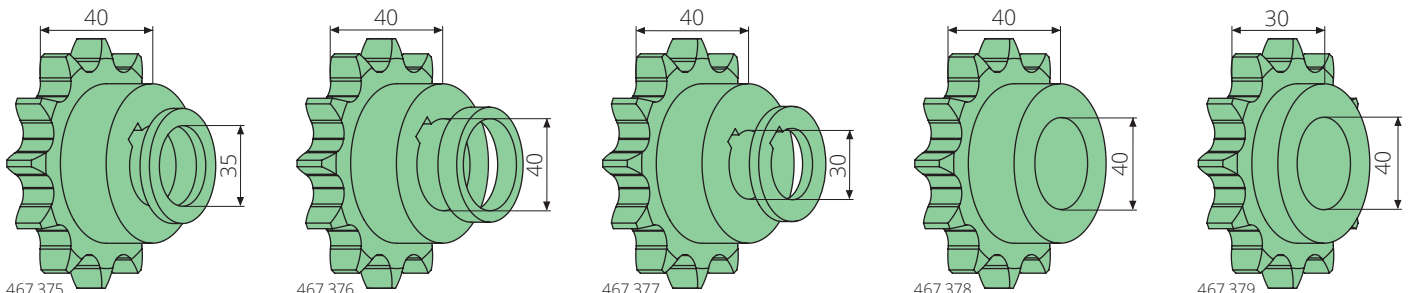


Article no.	Product	Description
467 003	Wire cutting blade	50x15x16,5mm, X45NiCrMo4, hardened
467 009	Wire cutting blade	40x12x15mm, X45NiCrMo4, hardened
467 122	Mount for blade complete	50x130,5mm, left, S355J2, clamp bushing & screws
467 124	Mount for blade complete	50x130,5mm, right, S355J2, clamp bushing & screws
467 123	Clamp bushing	38-48-30mm, type BIKON 1016
467 126	Mount for blade complete	50x140mm, S355J2, for welding
467 125	Mount for blade complete	50x200mm, S355J2, for welding

Chains / Sprockets

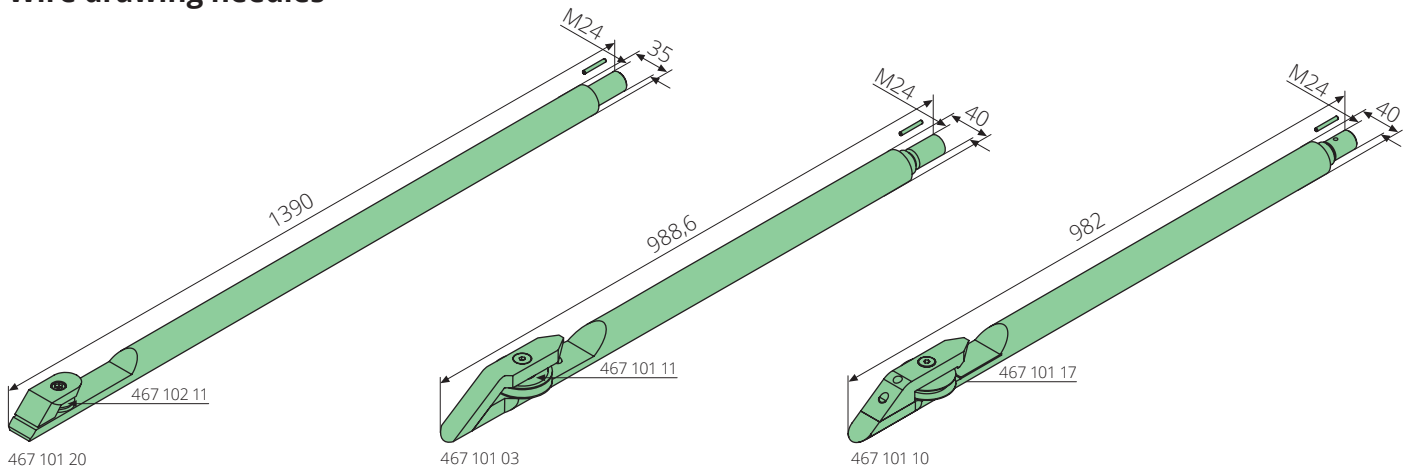


Article no.	Product	Description
467 371	Duplex chain	1x17mm, EC16-D-16B-2
467 373	Chain	1x17mm, EC16-M-16B-1
467 372	Lock pin for chain	8x75,8mm, with circlips d=8mm, for duplex chain 467 371
467 374	Chain lock	1, EC16-M-16B-1, with retainer
467 380	Chain tensioner	M16x80mm



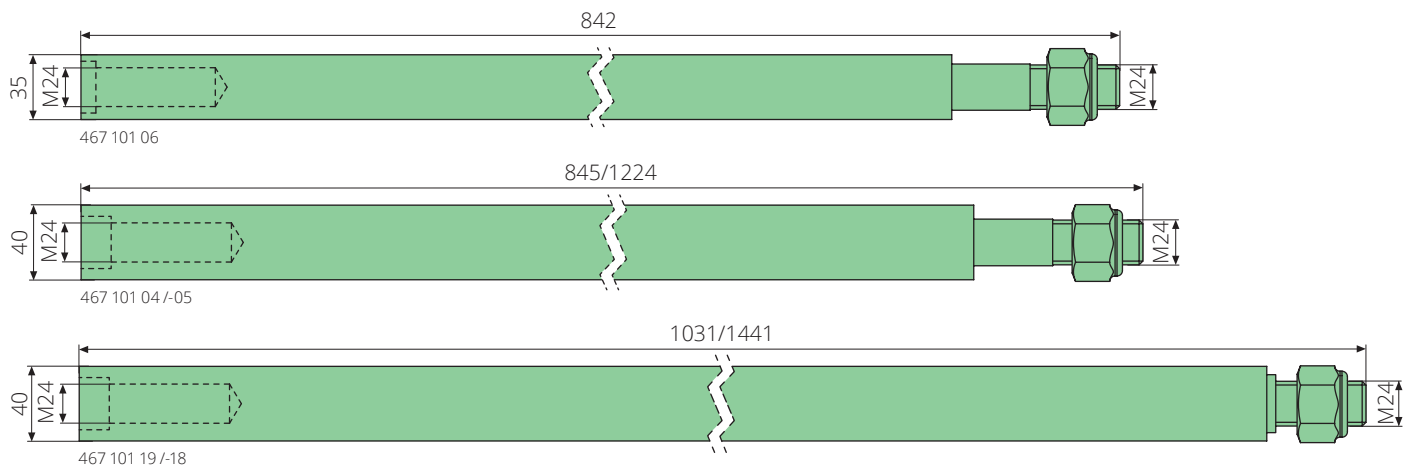
Article no.	Product	Description
467 375	Engine sprocket complete	35-109-40mm, 12 teeth, bore with groove, with spacing washer
467 376	Engine sprocket complete	40-109-40mm, 12 teeth, bore with groove, with spacing washer
467 377	Sprocket for twisting hook complete	30-109-40mm, 12 teeth, bore with groove, with spacing washer
467 378	Guide sprocket	40-109-40mm, 12 teeth
467 379	Guide sprocket	40-108-30mm, 12 teeth

Wire drawing needles



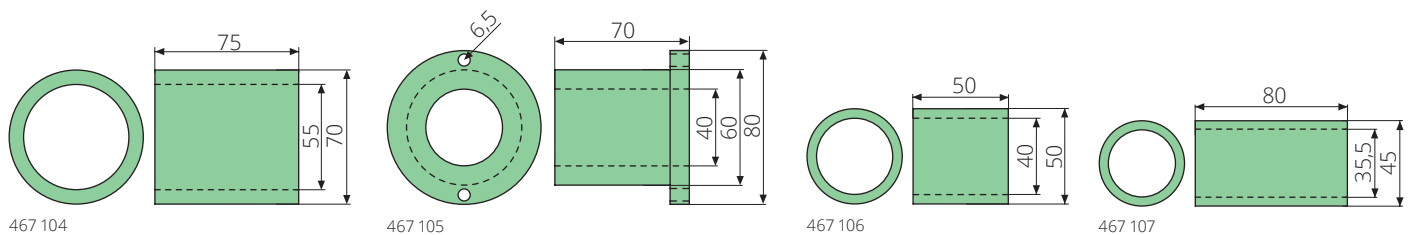
Article no.	Product	Description
467 101 20	Wire drawing needle complete	35x1390mm, S355J2
467 101 03	Wire drawing needle complete	40x988,6mm, S355J2, with wire guide roller 467 101 11 & spring pin
467 101 10	Wire drawing needle complete	40x982mm, S355J2, with wire guide roller 467 101 11 & spring pin

Article no.	Product	Description
467 102 11	Wire guide roller	10-35-13,5mm, S355J2, with needle bearing
467 101 11	Wire guide roller	10-65-13,5mm, S355J2, with needle bearing
467 101 17	Wire guide roller	10-65-13,5mm, S355J2, with brass bushing



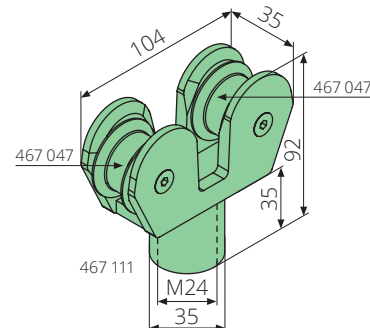
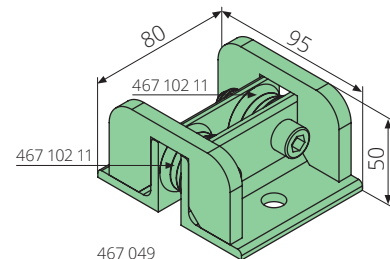
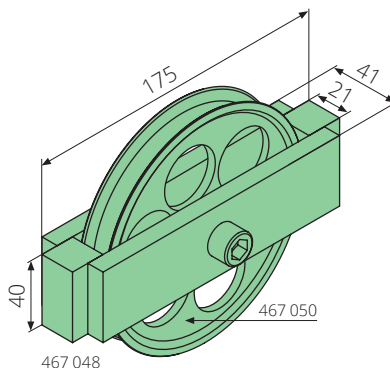
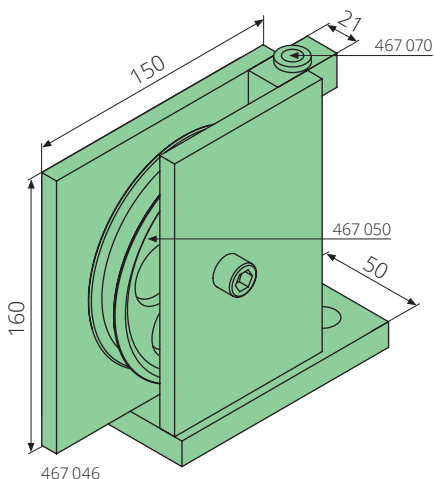
Article no.	Product	Description
467 101 06	Extension for wire drawing needle	35x842mm, S355J2, with nut
467 101 04	Extension for wire drawing needle	40x845mm, S355J2, with nut
467 101 19	Extension for wire drawing needle	40x1031mm, S355J2, with nut
467 101 05	Extension for wire drawing needle	40x1224mm, S355J2, with nut
467 101 18	Extension for wire drawing needle	40x1441mm, S355J2, with nut

Guide bushings for needles



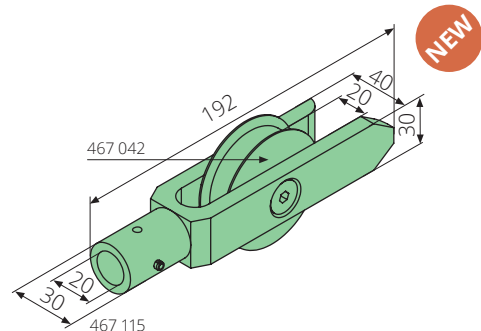
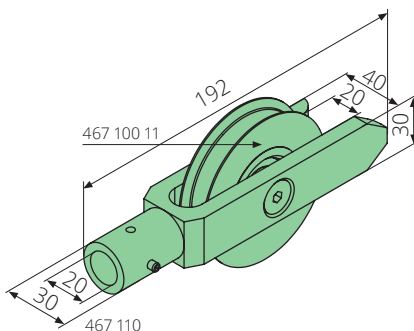
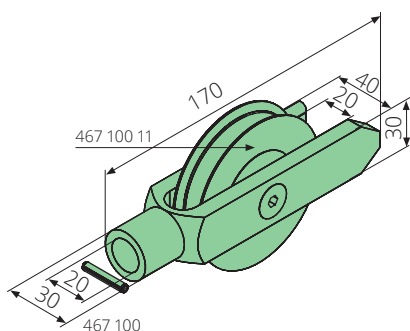
Article no.	Product	Description
467 104	Bushing	55-70-75mm, Rg7, for wire thrust top
467 105	Guide bushing for needle	40-60/80-70mm, POM
467 106	Guide bushing for needle	40-50-50mm, MS58
467 107	Guide bushing for needle	35,5-45-80mm, MS58

Mounts for rollers

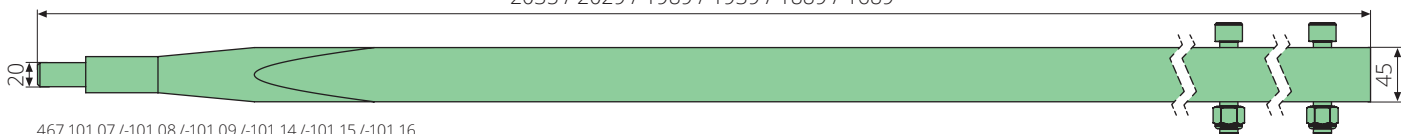


Article no.	Product	Description
467 046	Mount for roller complete	160x150x50mm, with wire guide roller 467 050, bushing 467 070, screw & Nut
467 048	Mount for roller complete	175x40x40mm, with wire guide roller 467 050, screw & Nut
467 111	Mount for roller complete	104x92mm, with 2 wire guide rollers 467 047 & screws
467 049	Mount for roller complete	80x50x95mm, with 2 wire guide rollers 467 102 11, screws & nuts

Article no.	Product	Description
467 050	Wire guide roller	12,5-130-20mm, S355J2
467 047	Wire guide roller	6-40-20mm, S355J2, with needle bearing
467 102 11	Wire guide roller	10-35-13,5mm, S355J2, with needle bearing
467 070	Wire guide bushing	11-18/22-20mm, 16MnCr5, hardened



2035 / 2029 / 1989 / 1939 / 1889 / 1689

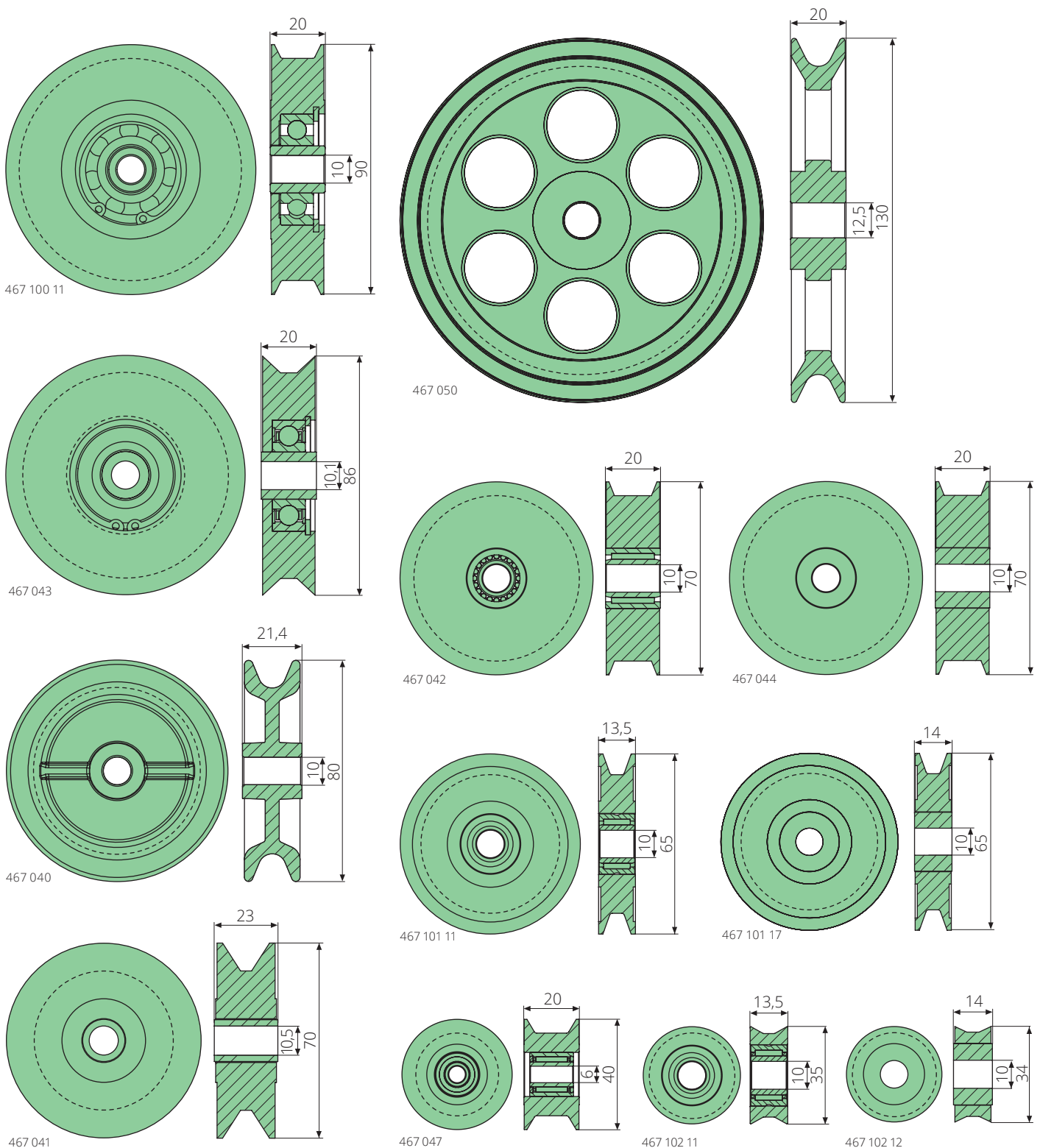


Article no.	Product	Description
467 100	Mount for roller complete	170x30mm, with wire guide roller 467 100 11, screw & spring pin
467 110	Mount for roller complete	192x30mm, with wire guide roller 467 100 11, 2 bores, screw & spring pin
467 115	Mount for roller complete	192x30mm, with wire guide roller 467 042, 2 bores, screw & spring pin

Article no.	Product	Description
467 100 11	Wire guide roller	10-90-19mm, S355J2, with ball bearing, circlip & bushing
467 042	Wire guide roller	10-70-19,5mm, 42CrMo4, with needle bearing

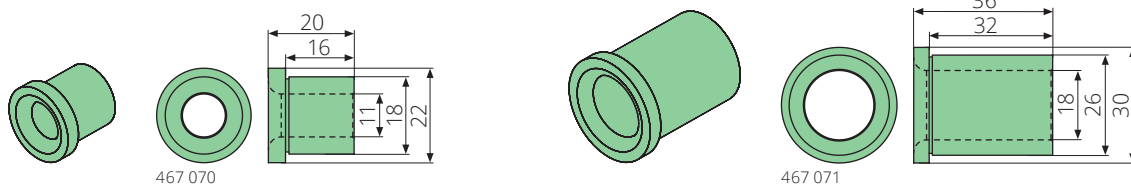
Article no.	Product	Description
467 101 07	Wire thrusting rod complete	45x45x2035mm, S355J2, with set of screws
467 101 08	Wire thrusting rod complete	45x45x2029mm, S355J2, with set of screws
467 101 09	Wire thrusting rod complete	45x45x1989mm, S355J2, with set of screws
467 101 14	Wire thrusting rod complete	45x45x1939mm, S355J2, with set of screws
467 101 15	Wire thrusting rod complete	45x45x1889mm, S355J2, with set of screws
467 101 16	Wire thrusting rod complete	45x45x1689mm, S355J2, with set of screws

Wire guide rollers



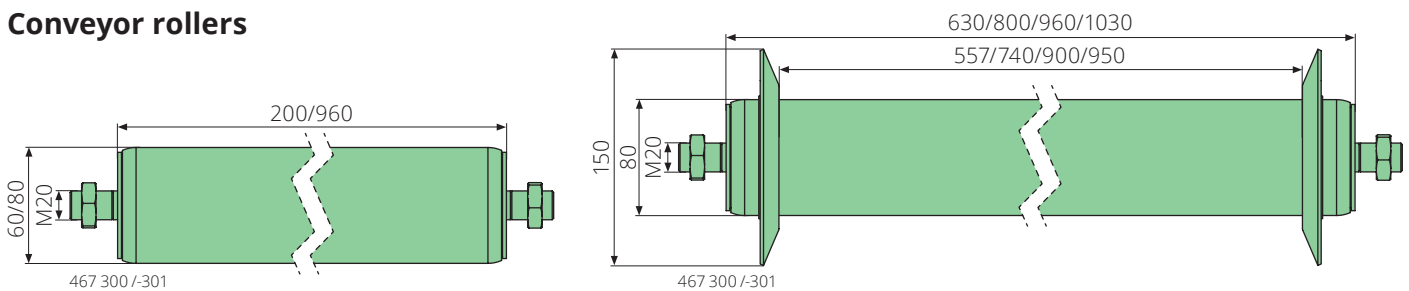
Article no.	Product	Description
467 050	Wire guide roller	12,5-130-20mm, S355J2
467 100 11	Wire guide roller	10-90-19mm, S355J2, with ball bearing, circlip & bushing
467 043	Wire guide roller	10,1-86-19mm, S355J2, with bearing, circlip & bushing
467 040	Wire guide roller	10-80-21,4mm, S355J2
467 041	Wire guide roller	10,5-70-23mm, PE, with bushing
467 042	Wire guide roller	10-70-19,5mm, 42CrMo4, with needle bearing
467 044	Wire guide roller	10-70-20mm, 42CrMo4, with brass bushing
467 101 11	Wire guide roller	10-65-13,5mm, S355J2, with needle bearing
467 101 17	Wire guide roller	10-65-13,5mm, S355J2, with brass bushing
467 047	Wire guide roller	6-40-20mm, S355J2, with needle bearing
467 102 11	Wire guide roller	10-35-13,5mm, S355J2, with needle bearing
467 102 12	Wire guide roller	10-34-14mm, S355J2, with brass bushing

Wire guide bushings



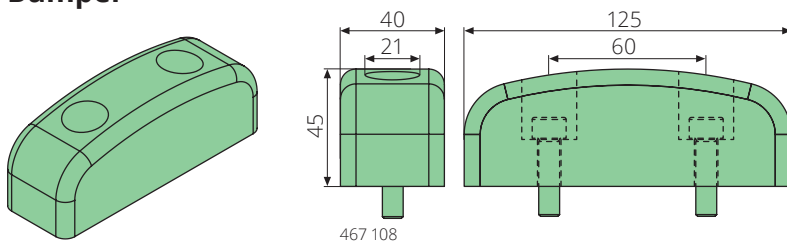
Article no.	Product	Description
467 070	Wire guide bushing	11-18/22-20mm, 16MnCr5, hardened
467 071	Wire guide bushing	18-26/30-36mm, 16MnCr5, hardened

Conveyor rollers



Article no.	Product	Description
467 300	Conveyor roller	60x200mm, with nuts
467 301	Conveyor roller	80x960mm, with nuts
467 306	Conveyor roller	80x630mm, with wheel spacers & nuts
467 307	Conveyor roller	80x800mm, with wheel spacers & nuts
467 308	Conveyor roller	80x960mm, with wheel spacers & nuts
467 302	Conveyor roller	80x1030mm, with wheel spacers & nuts

Bumper



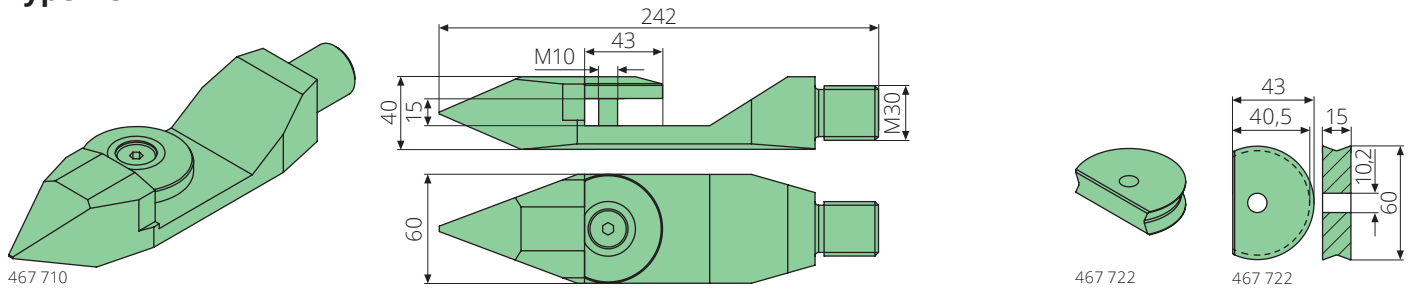
Article no.	Product	Description
467 108	Bumper complete	125x40x45mm, rubber, with screws

Filters

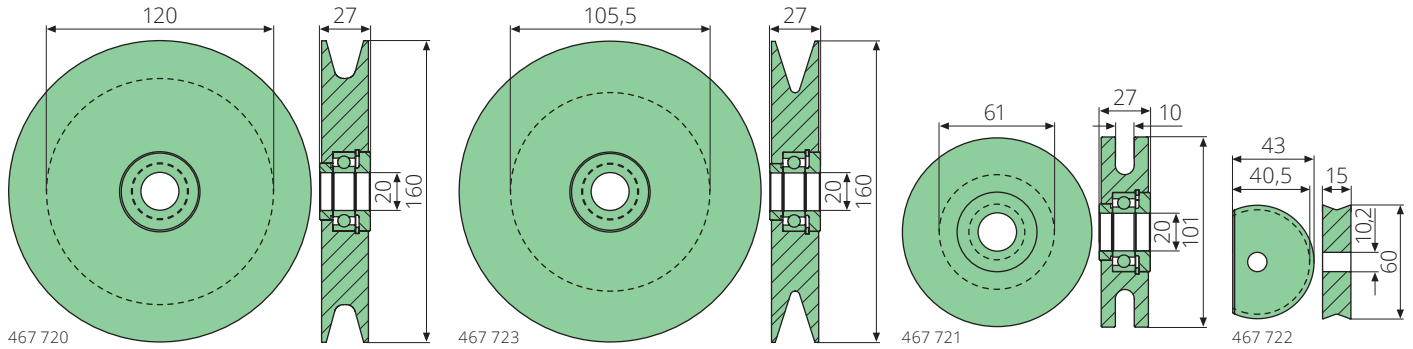


Article no.	Product	Description
462 300	Air filter	95-140-65mm, efficiency 99%, according to ISO 5011
462 301	Hydraulic filter	60-100-234mm, 100 micron, metal fiber
462 302	Hydraulic filter	34-60-230mm, 25 micron, metal fiber
462 303	Hydraulic filter	44,5-83-315mm, 10 micron, fiberglass fleece

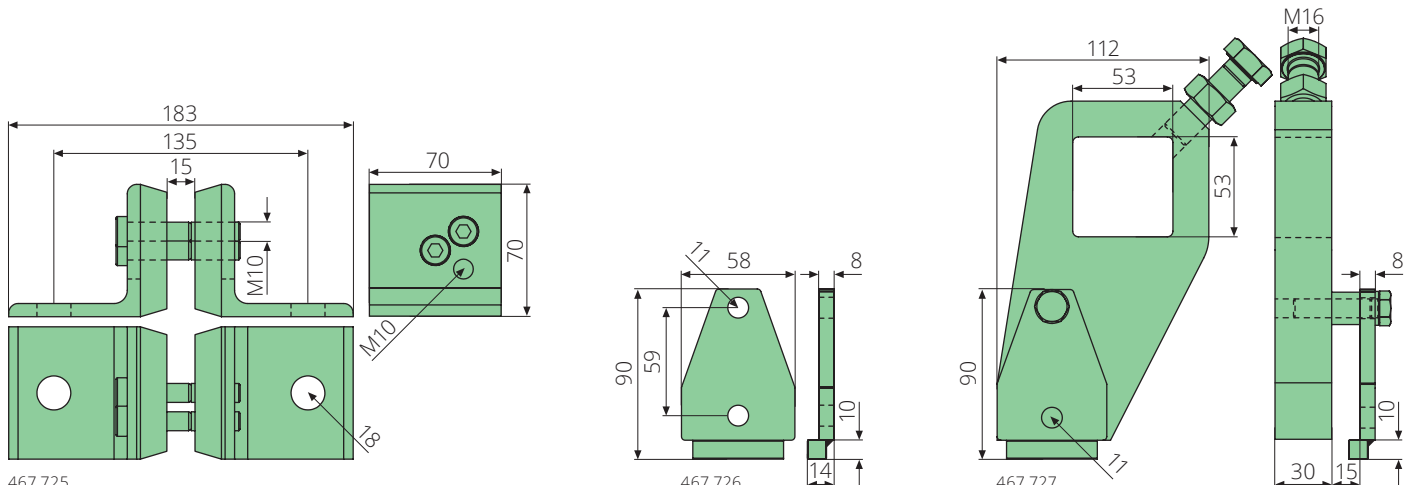
Type BOA



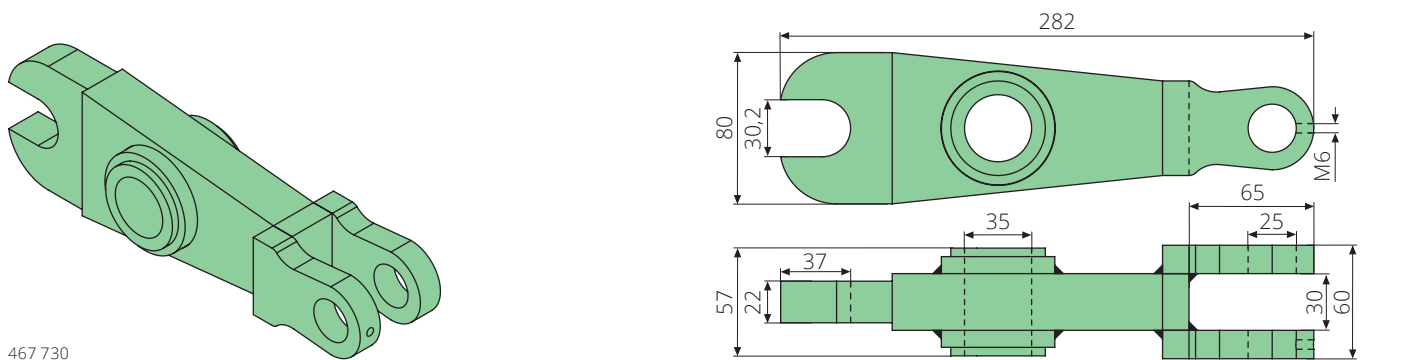
Article no.	Product	Description
467 710	Wire drawing needle	M30x242mm, without wire guide roller
467 722	Wire guide roller	10,2-60-15mm, ceramic



Article no.	Product	Description
467 720	Wire guide roller	20-160-27mm, PA6, with bearing
467 723	Wire guide roller	20-160-27mm, PA6, with bearing
467 721	Wire guide roller	20-101-27mm, PA6, with bearing
467 722	Wire guide roller	10,2-60-15mm, ceramic

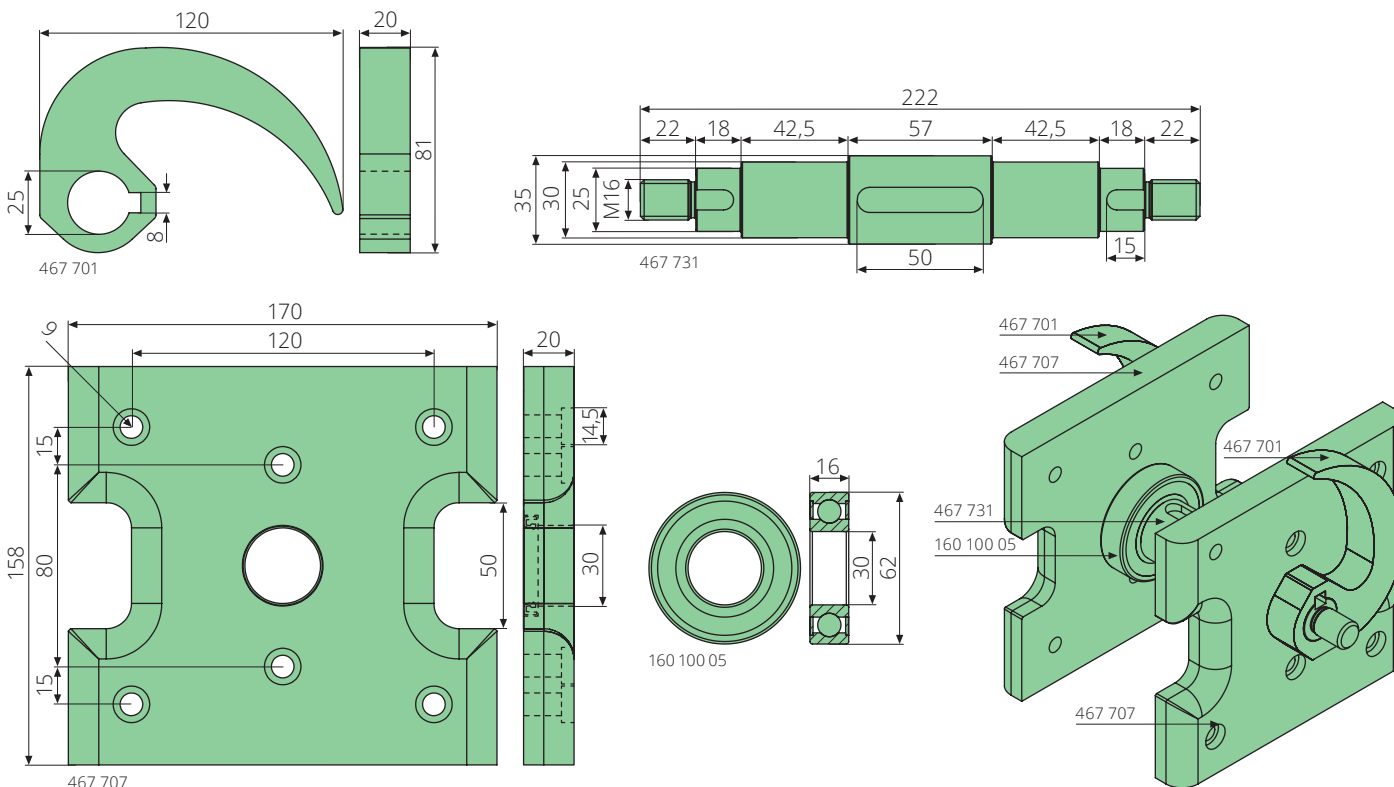


Article no.	Product	Description
467 725	Mount for roller	70x70x183mm
467 726	Mount for roller	90x60x23mm
467 727	Mount for roller	190x112x30mm

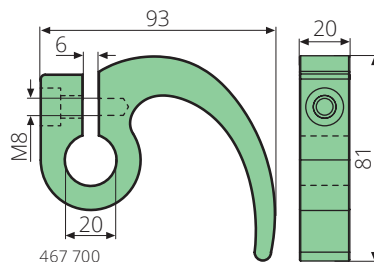


Article no.	Product	Description
467 730	Piston connector	80x282mm, galvanized

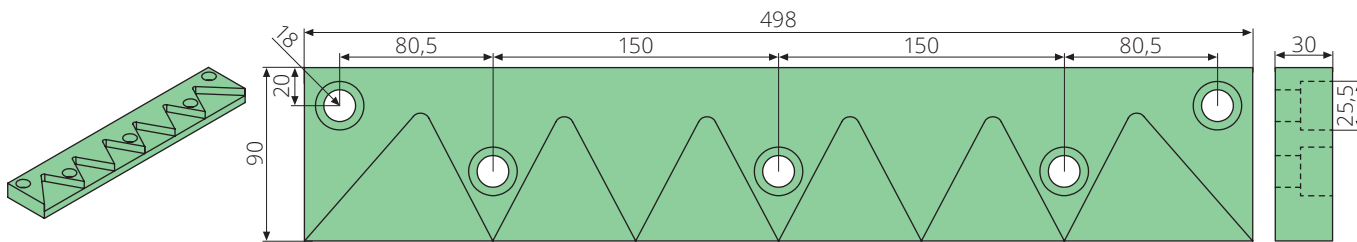
Type BOA



Article no.	Product	Description
467 701	Twisting hook	20x120mm, HARDOX 500
467 731	Shaft for twisting hook	25x222mm, S355J2
467 707	Mount for shaft for twisting hook	158x170x20mm, galvanized, with radial shaft seal
160 100 05	Ball bearing	30-62-16mm, DIN 625, 6206-2RS



Article no.	Product	Description
467 700	Twisting hook	20x93mm, HARDOX 500

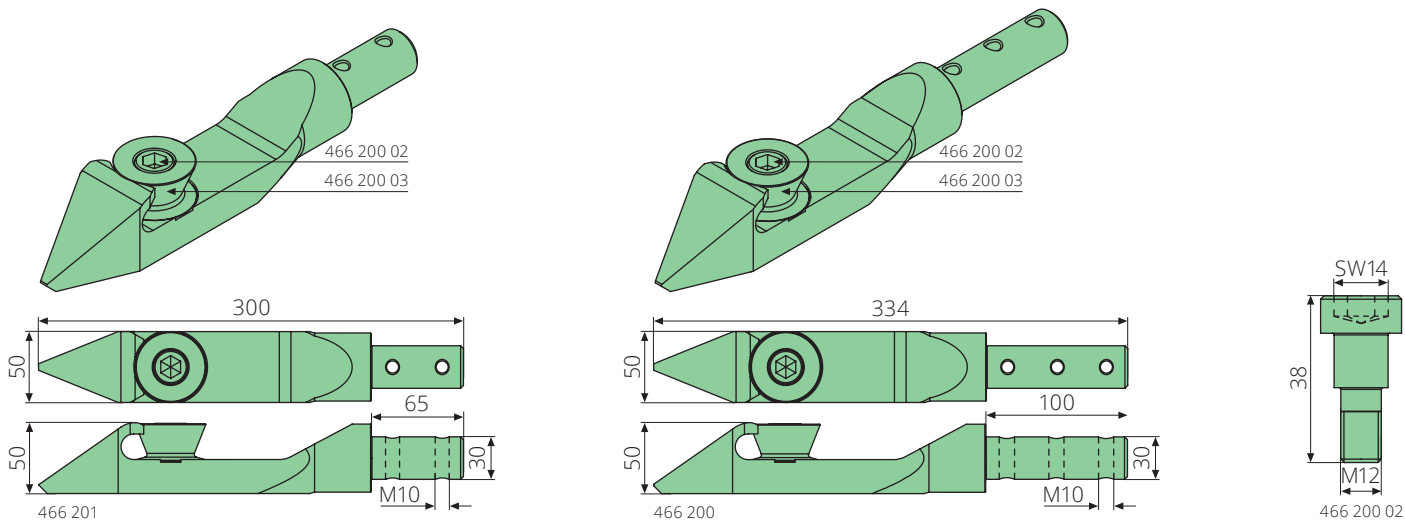


Article no.	Product	Description
467 742	Blade	90x498x30mm

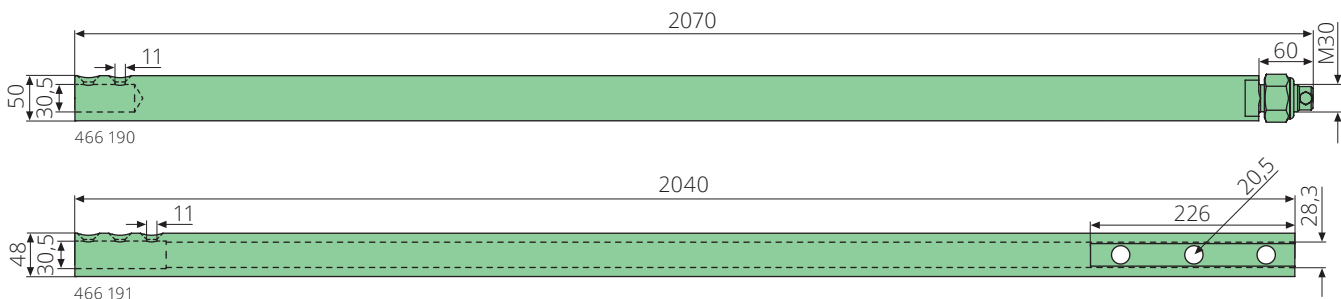


Article no.	Product	Description
467 741	Blade	35x40x8,8mm, X45NiCrMo4
467 740	Blade	35x27x8,8mm, X45NiCrMo4

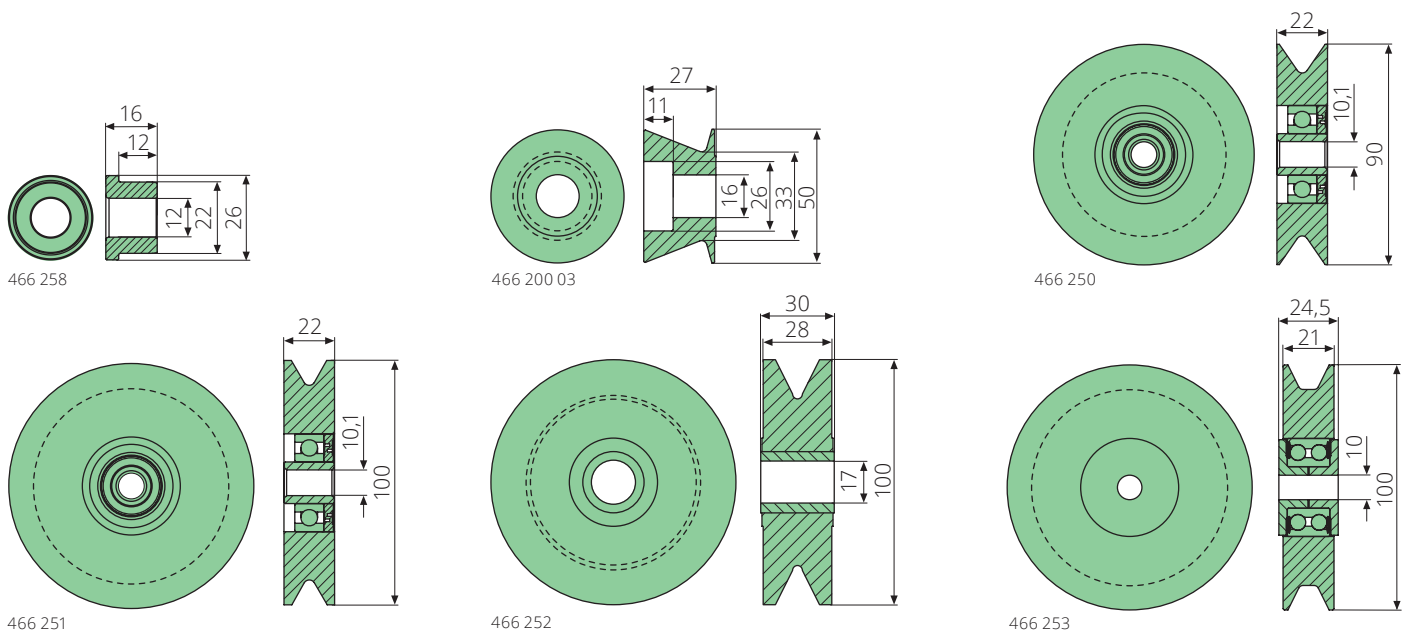
Type **BOLLEGRAAF**



Article no.	Product	Description
466 201	Wire drawing needle complete	30x300mm, galvanized, with wire guide roller 466 200 03
466 200	Wire drawing needle complete	30x344mm, galvanized, with wire guide roller 466 200 03
466 200 03	Wire guide roller	16-50-27mm, 42CrMo4
466 200 02	Screw	M12x38mm



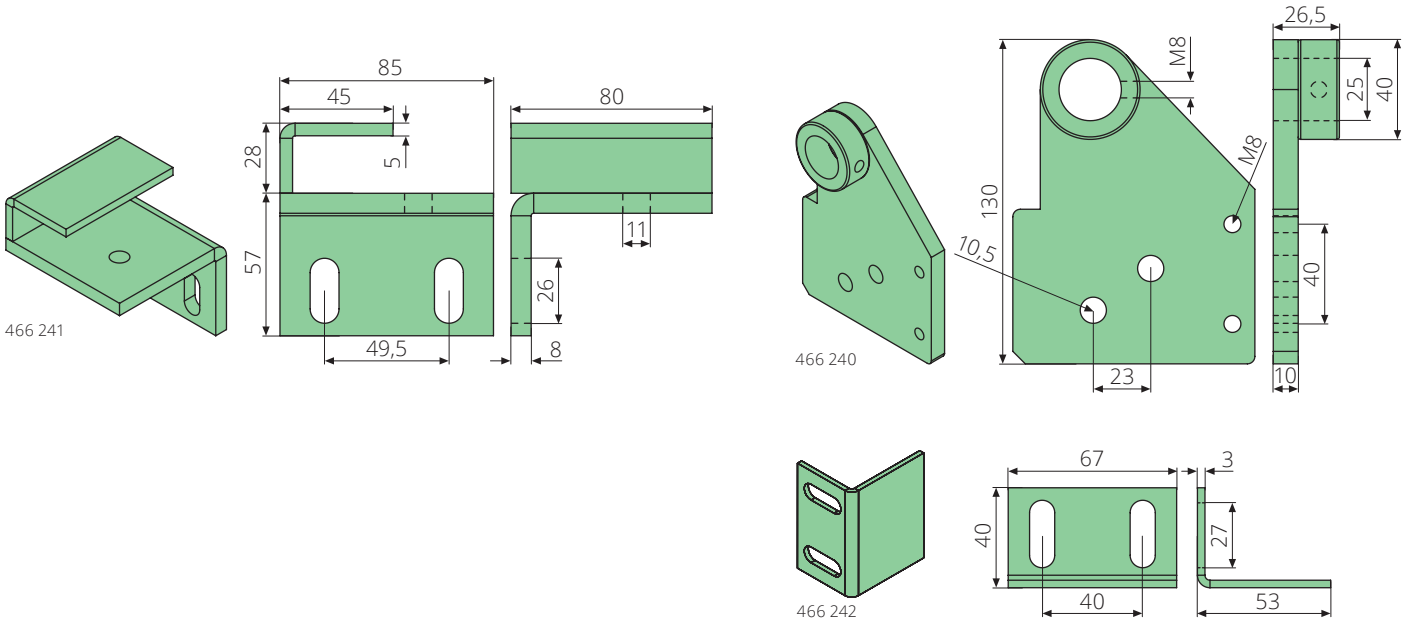
Article no.	Product	Description
466 190	Extension for wire drawing needle	50x2070mm, S355J2
466 191	Extension for wire drawing needle	48x2040mm, S355J2



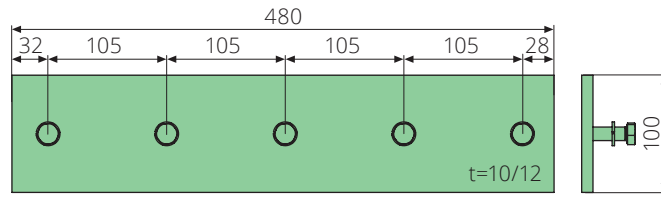
Article no.	Product	Description
466 258	Wire guide bushing	12-22/26-16mm, hardened
466 200 03	Wire guide roller	16-50-27mm, 42CrMo4
466 250	Wire guide roller	10,1-90-22mm, with bearing
466 251	Wire guide roller	10,1-100-22mm, with bearing
466 252	Wire guide roller	17-100-30mm, hardened, with bushing
466 253	Wire guide roller	10-100-24,5mm, hardened, with bearing

Type BOLLEGRAAF

Type BOLLEGRAAF

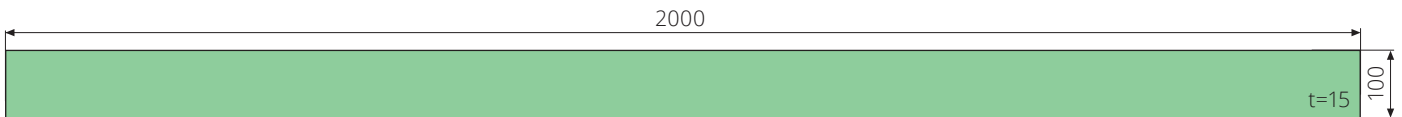


Article no.	Product	Description
466 241	Mount for roller	85x80x85mm, primed
466 240	Mount for roller	97x26,5x130mm, primed
466 242	Baffle	67x53x40mm, primed



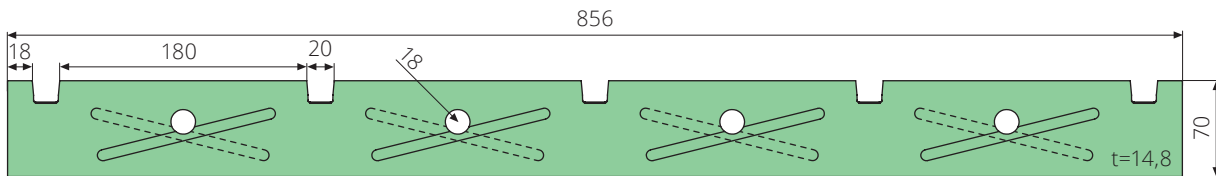
466 300 / 301

Article no.	Product	Description
466 300	Slide profile	480x100x10mm, brass, with spring washers & screws
466 301	Slide profile	480x100x12mm, brass, with spring washers & screws

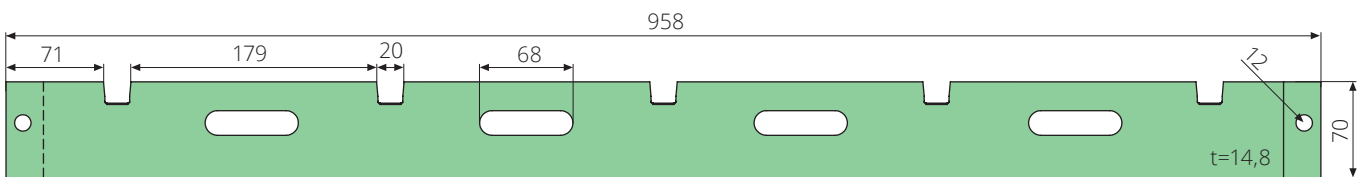


466 400

Article no.	Product	Description
466 400	Guide rail	2000x100x15mm, HARDOX 450



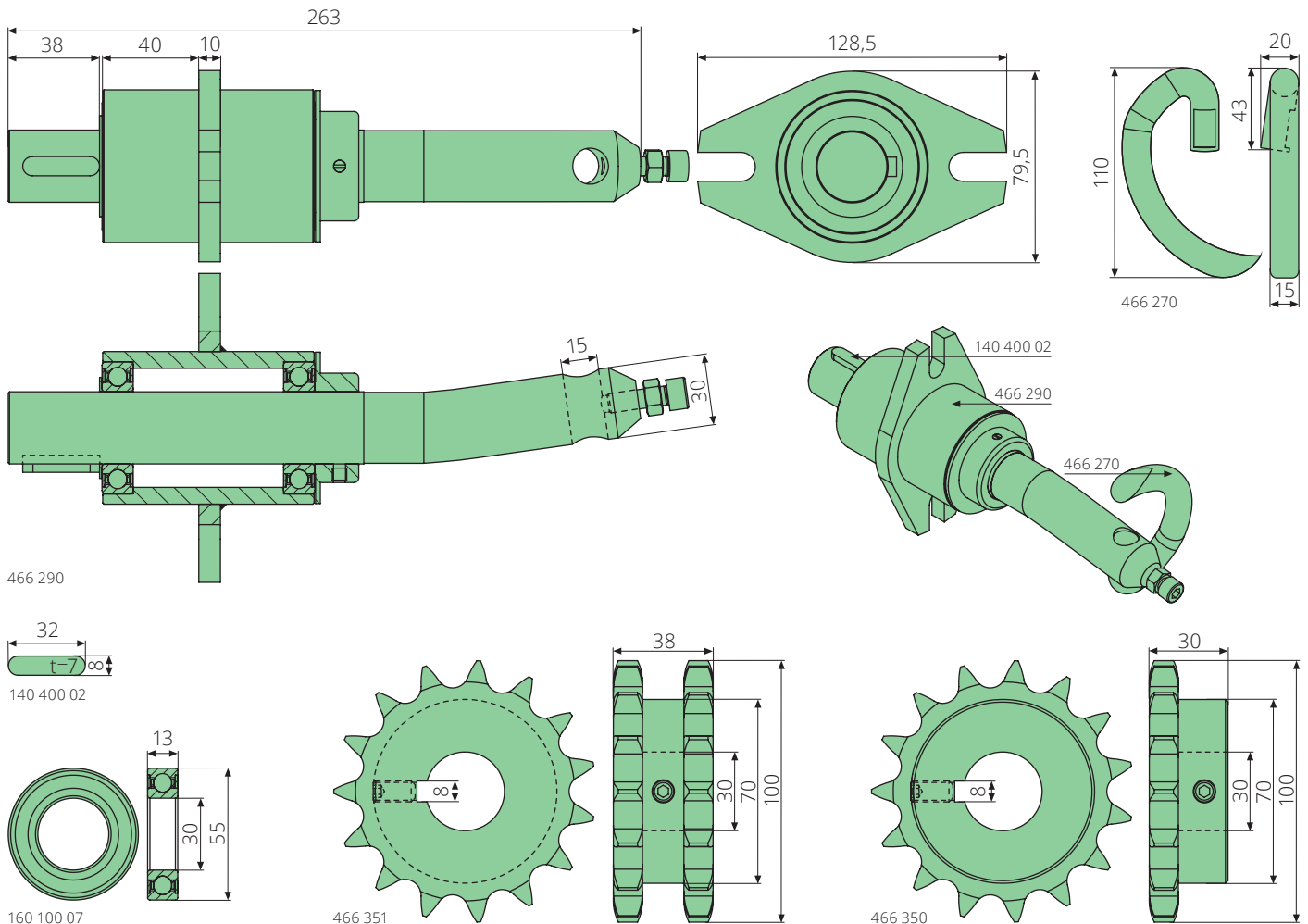
466 500



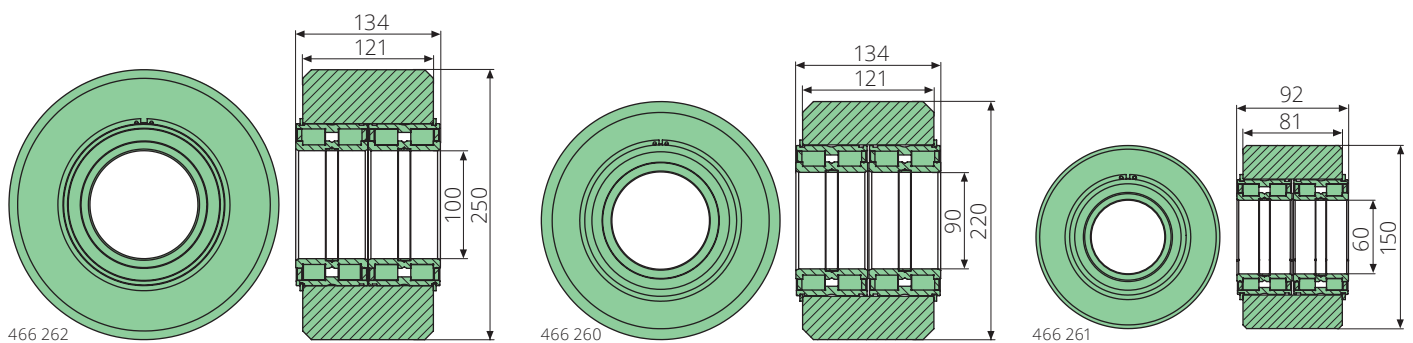
466 501

Article no.	Product	Description
466 500	Blade	856x70x14,8mm, loose, X155CrMoV12-1
466 501	Blade	958x70x14,8mm, fixed, X155CrMoV12-1

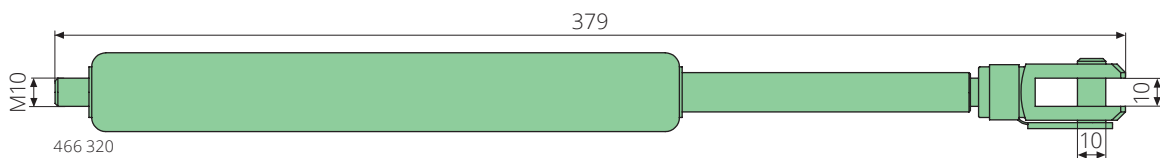
Type **BOLLEGRAAF**



Article no.	Product	Description
466 290	Shaft for twisting hook	30x263,3mm, 42crMo4, with bearings & Screw
466 270	Twisting hook	20x110,3mm, 42crMo4, hardened
140 400 02	Parallel key	8x7x32mm, DIN 6885
160 100 07	Ball bearing	30-55-13mm, DIN 625, 6006-2RS
466 351	Duplex sprocket complete	30-100-38mm, 15 Teeth, bore with groove, with threaded pin
466 350	Sprocket complete	30-100-30mm, 15 Teeth, bore with groove, with threaded pin



Article no.	Product	Description
466 262	Track roller complete	100-250-121mm, with 2 bearings
466 260	Track roller complete	90-220-121mm, with 2 bearings
466 261	Track roller complete	60-150-81mm, with 2 bearings

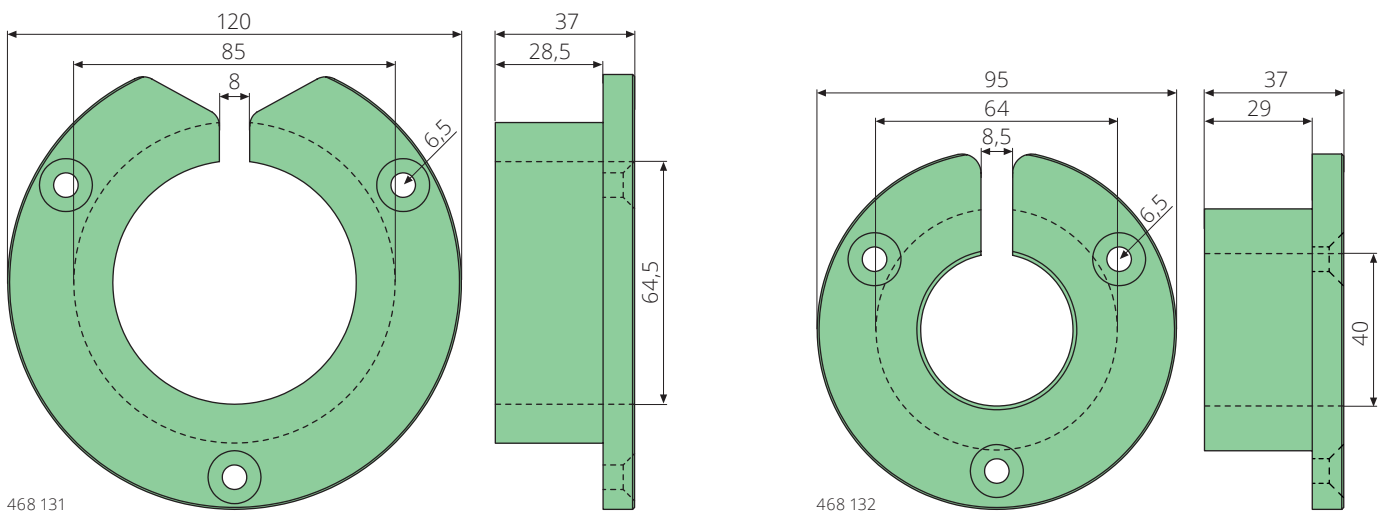
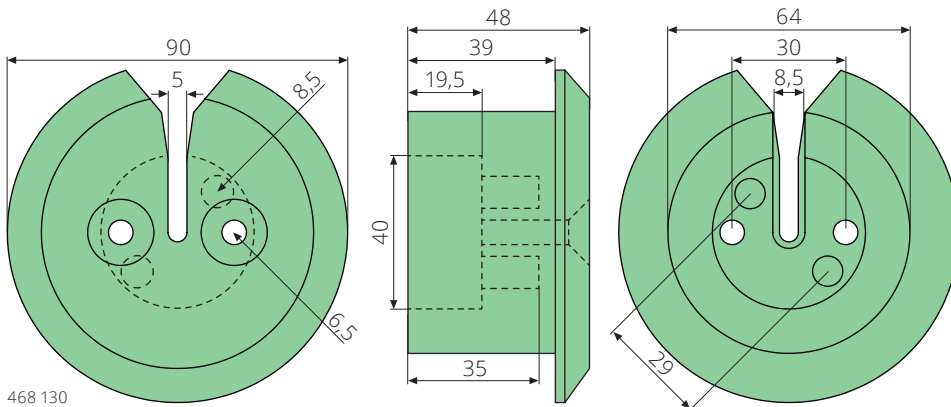
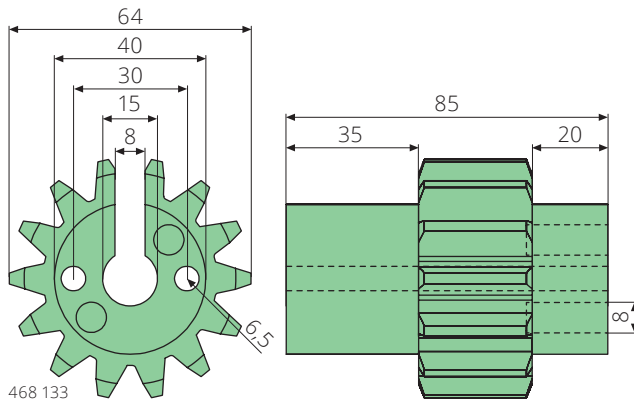
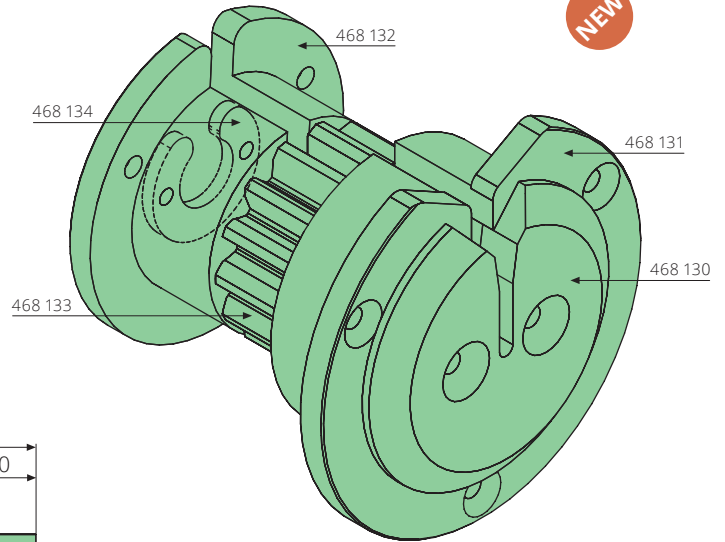
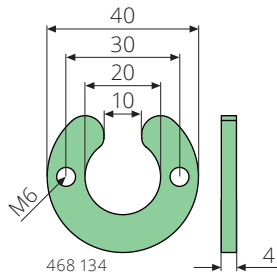


Article no.	Product	Description
466 320	Gas spring	stroke 100mm, for retainer

Type EUROPRESS

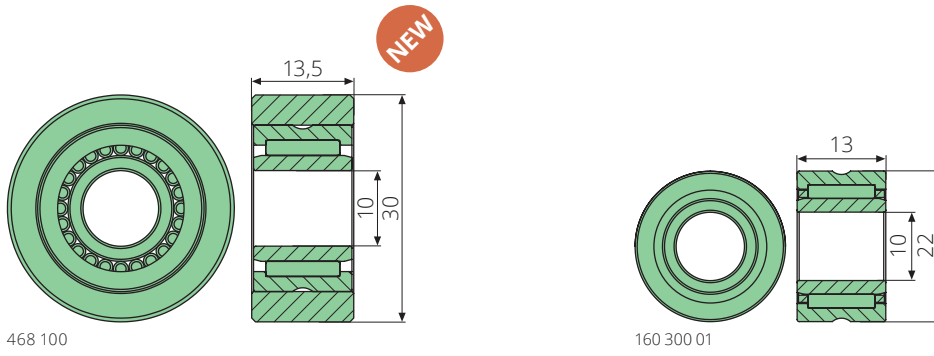
Type BOLLEGRAAF / Type EUROPRESS

NEW

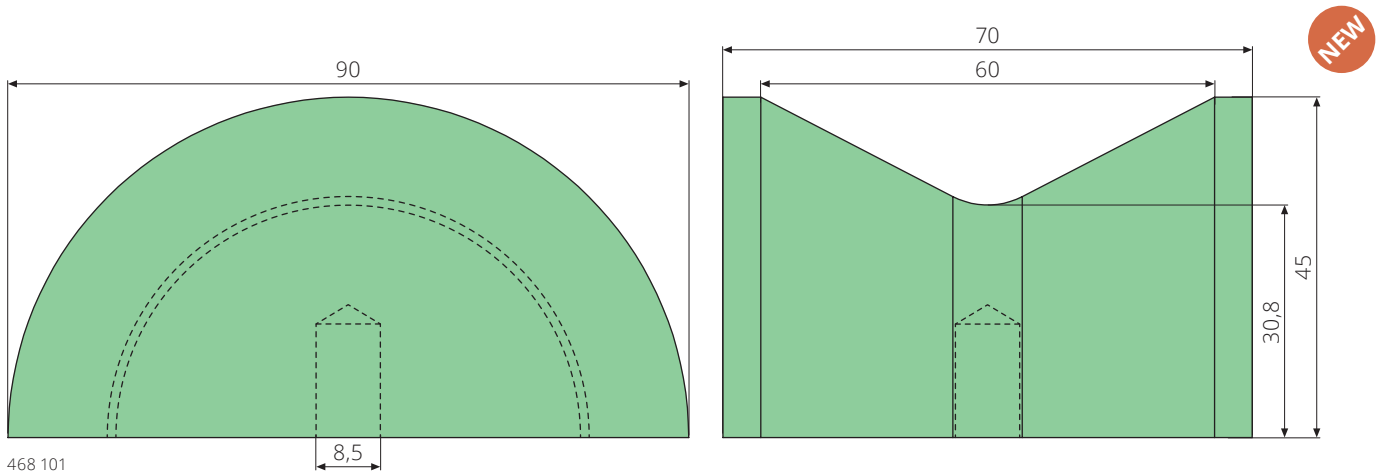


Article no.	Product	Description
468 134	Washer	10-40-4mm, S235JR
468 133	Sprocket	14,5-40/64-85mm, 42CrMo4
468 130	Wire guide bushing	40-64/90-48mm, 42CrMo4
468 131	Slide bushing top	64,5-85/120-37mm, Rg7
468 132	Slide bushing bottom	40-64/95-37mm, Rg7

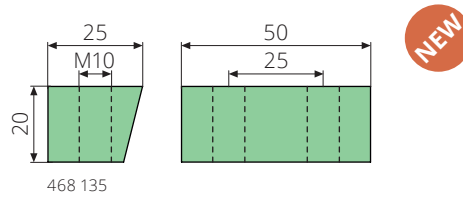
Type EUROPRESS



Article no.	Product	Description
468 100	Wire guide roller	10-30-13,5mm, with needle bearing, S355J2
160 300 01	Needle bearing	10-22-13mm, ISO 1206, NA 4900

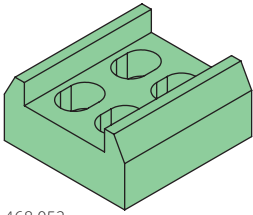


Article no.	Product	Description
468 101	Wire guide roller	8,5-90-70mm, 42CrMo4

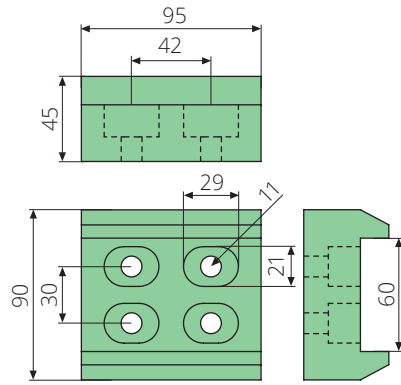


Article no.	Product	Description
468 135	Wire cutting blade	50x20x25mm, X45NiCrMo4, hardened

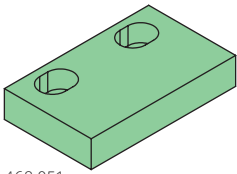
Type HSM



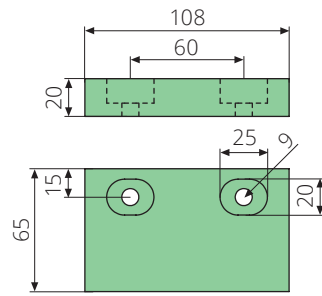
468 052



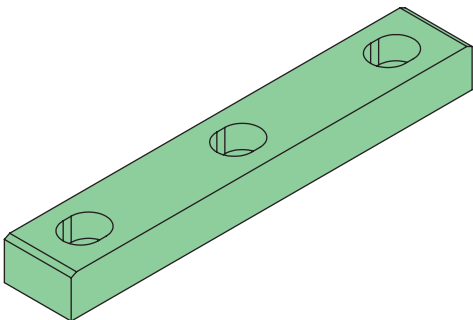
Article no.	Product	Description
468 052	Slide profile	95x90x45mm, plastic



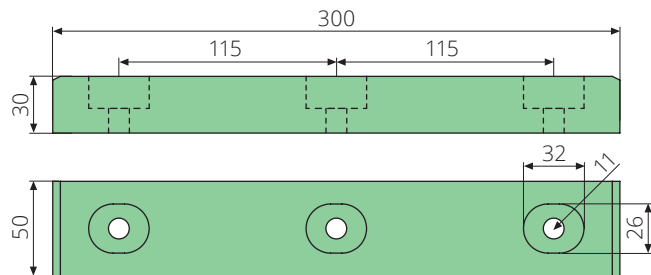
468 051



Article no.	Product	Description
468 051	Slide profile	108x65x20mm, plastic

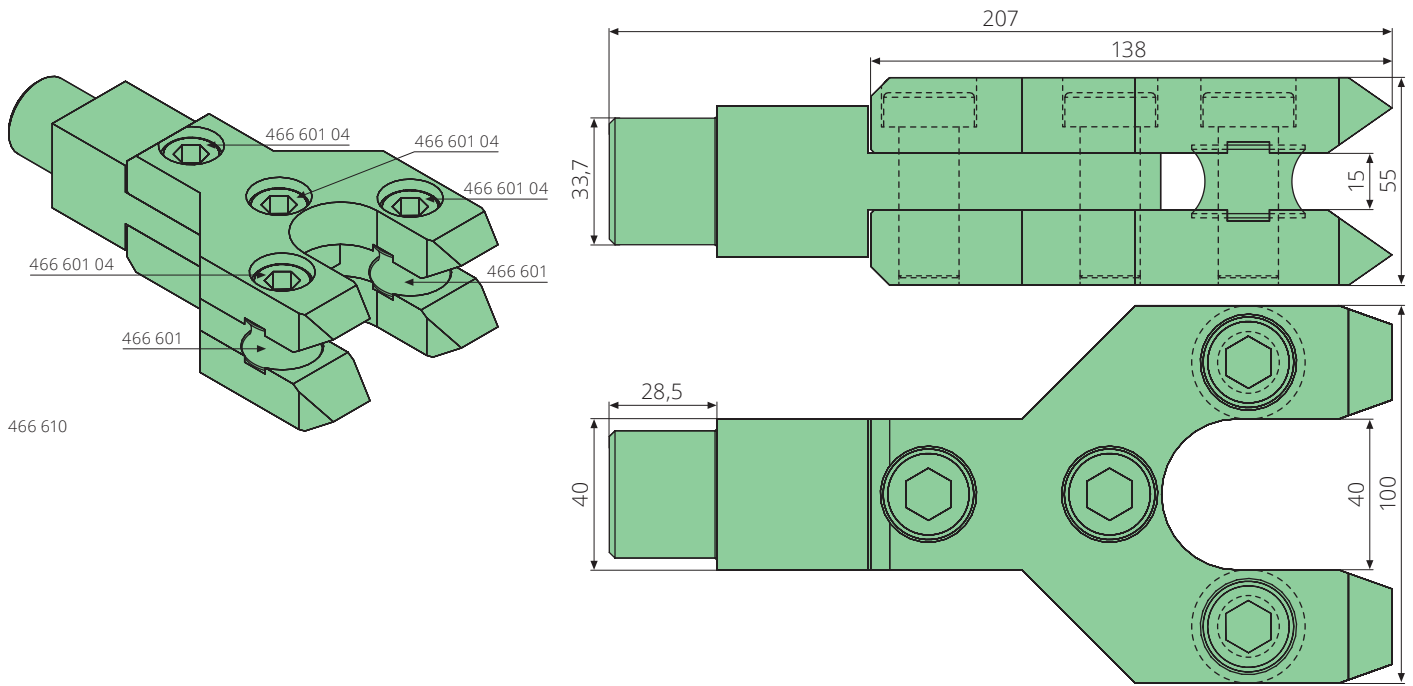


468 050

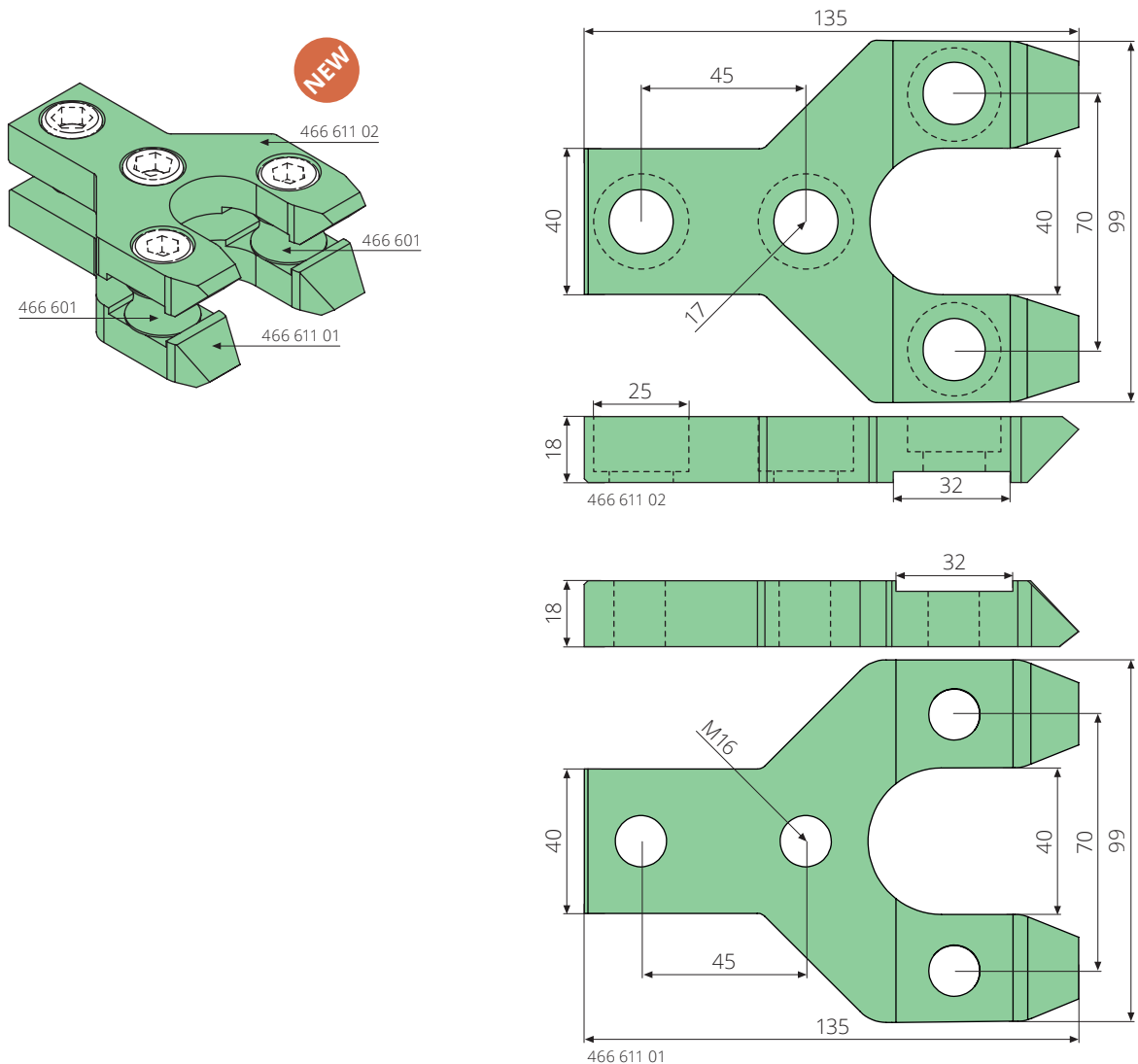


Article no.	Product	Description
468 050	Slide profile	300x50x30mm, plastic

Type MACPRESSE EUROPA

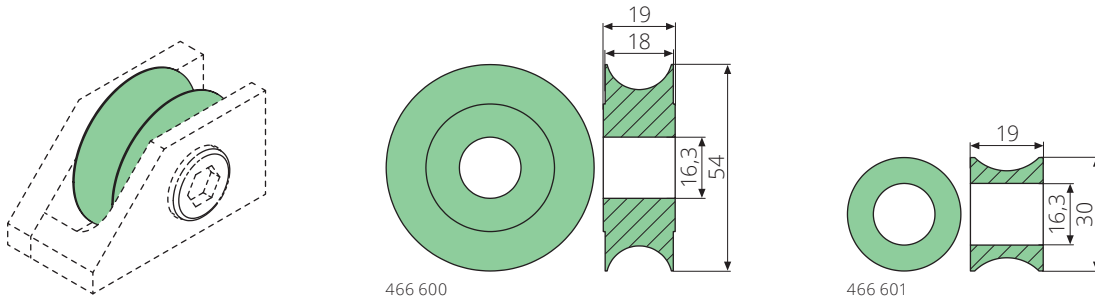


Article no.	Product	Description
466 610	Wire drawing needle complete	40x207mm, with 2 wire guide rollers 466 601 & 4 threaded bolts 466 610 04

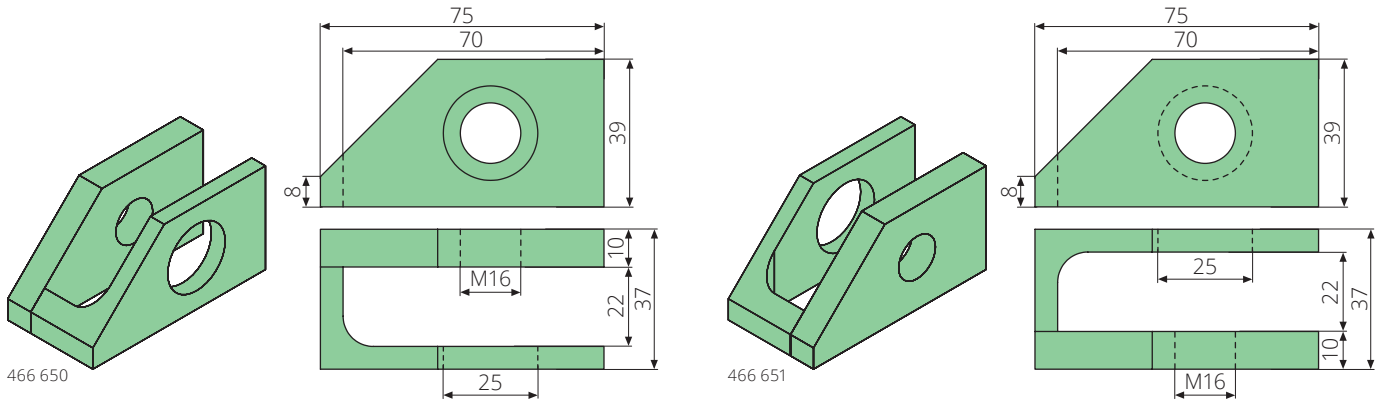


Article no.	Product	Description
466 611 02	Drahtzugnadelplatte	oben, 99x135mm, mit 4 Bohrungen d=17
466 611 01	Drahtzugnadelplatte	unten, 99x135mm, mit 4 Bohrungen d=M16

Type MACPRESSE EUROPA

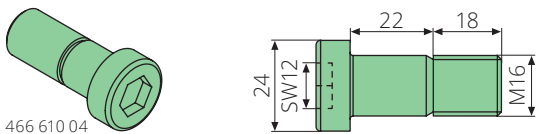


Article no.	Product	Description
466 600	Wire guide roller	16,3-54-19mm
466 601	Wire guide roller	16,3-30-19mm



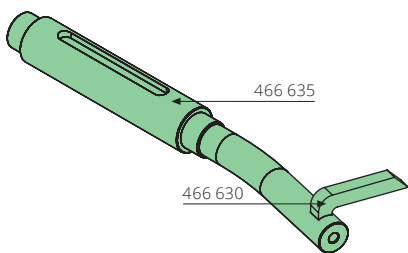
466 650

466 651



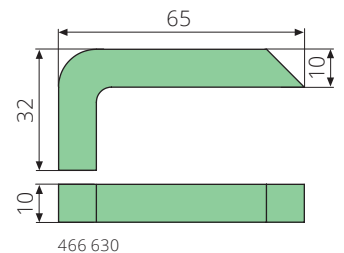
466 610 04

Article no.	Product	Description
466 650	Mount for roller	75x39x37mm, right, S235JR
466 651	Mount for roller	75x39x37mm, left, S235JR
466 610 04	Threaded bolt	M16x40mm

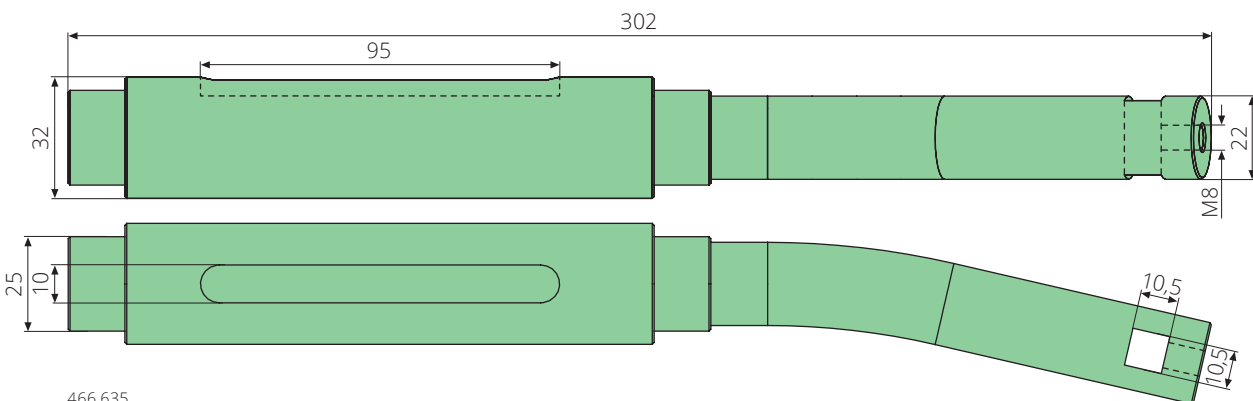


466 635

466 630



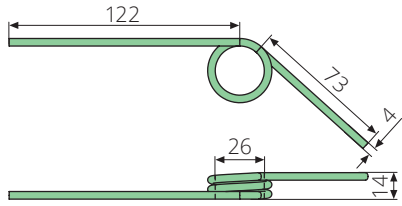
466 630



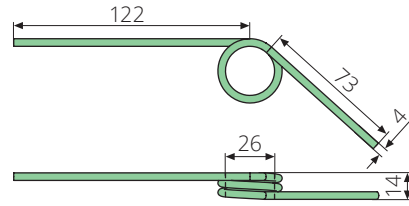
466 635

Article no.	Product	Description
466 635	Shaft for twisting hook	32x302mm, 42CrMo4
466 630	Twisting hook	10x65mm, 42CrMo4

Type MACPRESSE EUROPA

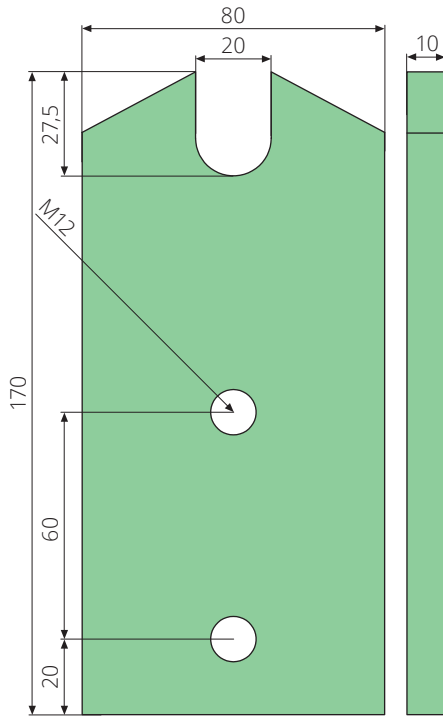


466 660

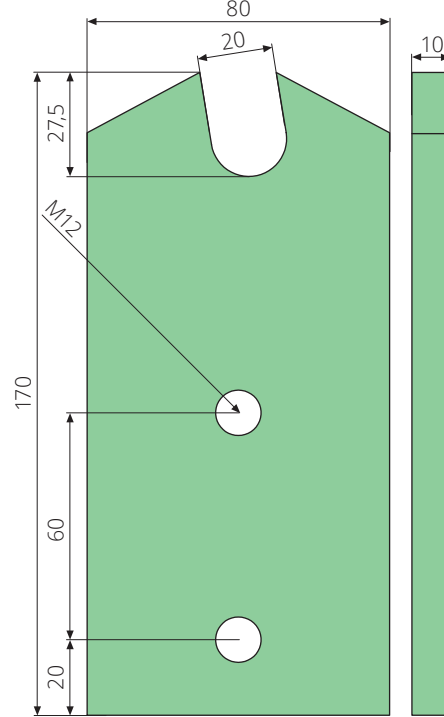


466 661

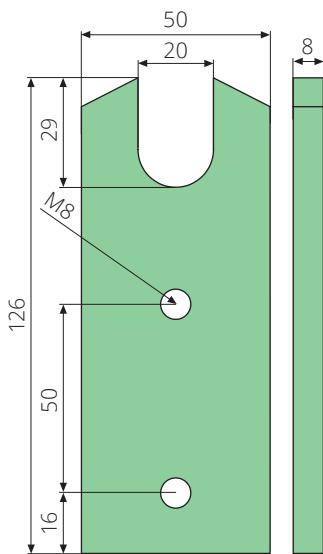
Article no.	Product	Description
466 660	Retaining spring	d=26mm, left
466 661	Retaining spring	d=26mm, right



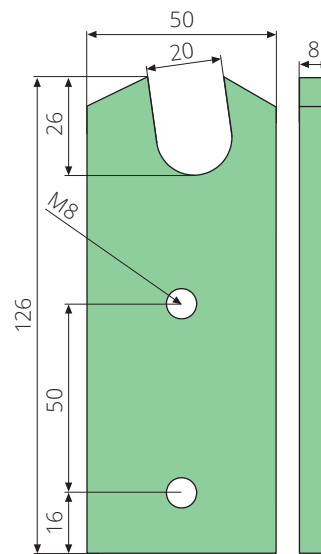
466 642



466 643



466 640

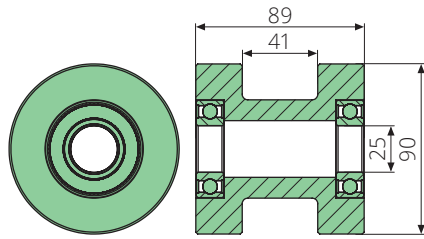


466 641

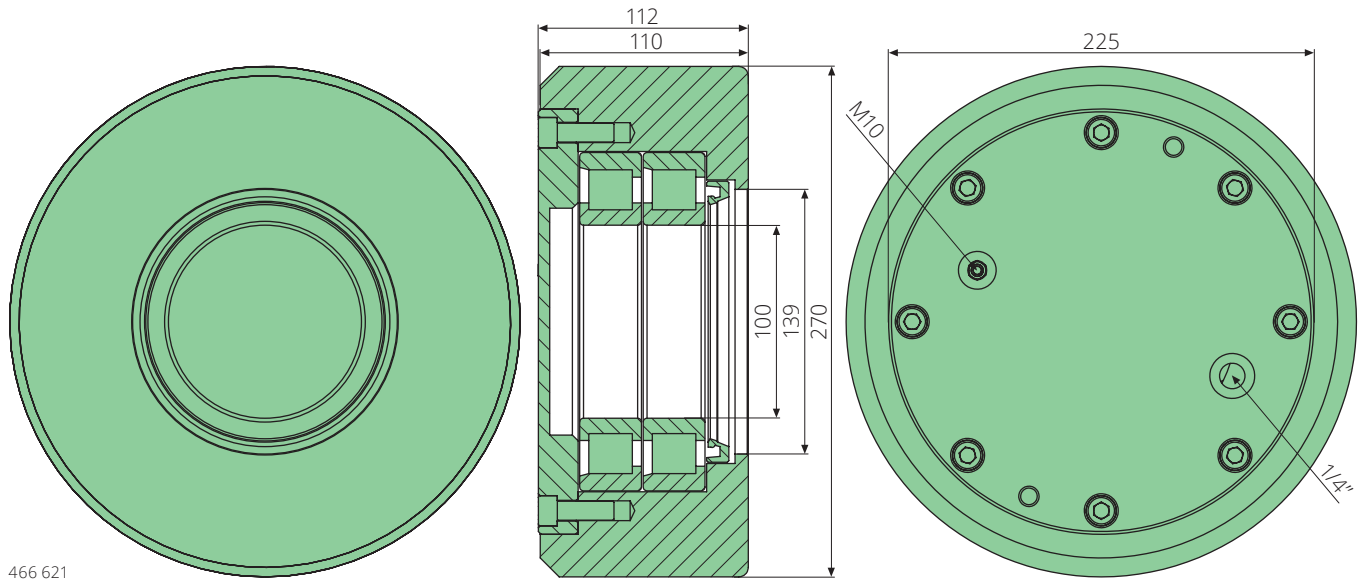
Article no.	Product	Description
466 642	Blade	170x80x10mm, 42CrMo4, hardend, loose
466 643	Blade	170x80x10mm, 42CrMo4, hardend, fixed
466 640	Blade	126x50x8mm, 42CrMo4, hardend, loose
466 641	Blade	126x50x8mm, 42CrMo4, hardend, fixed

Type MACPRESSE EUROPA

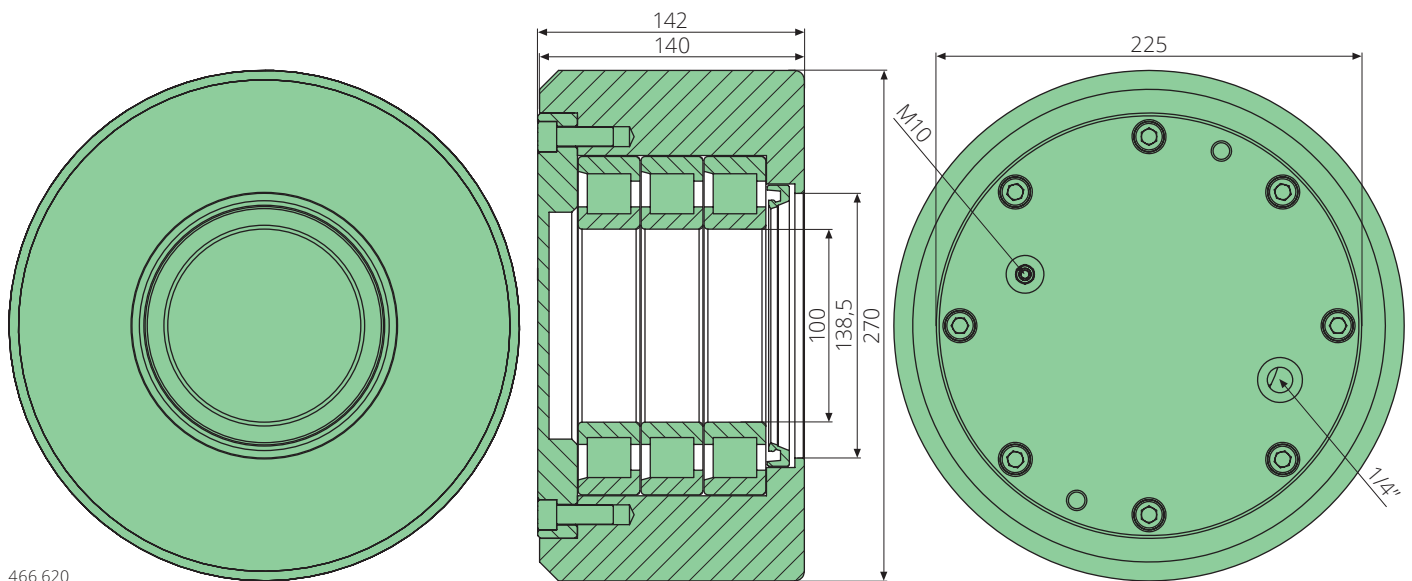
Type MACPRESSE EUROPA / Type PRESONA



466 622



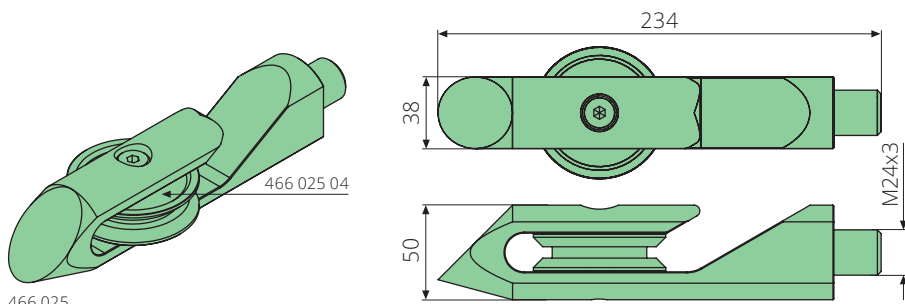
466 621



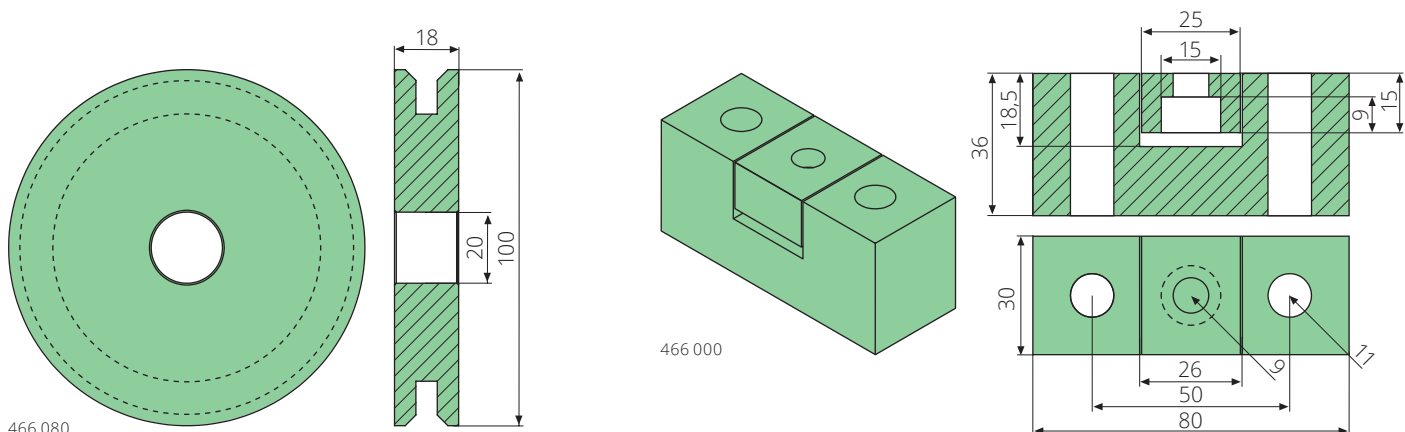
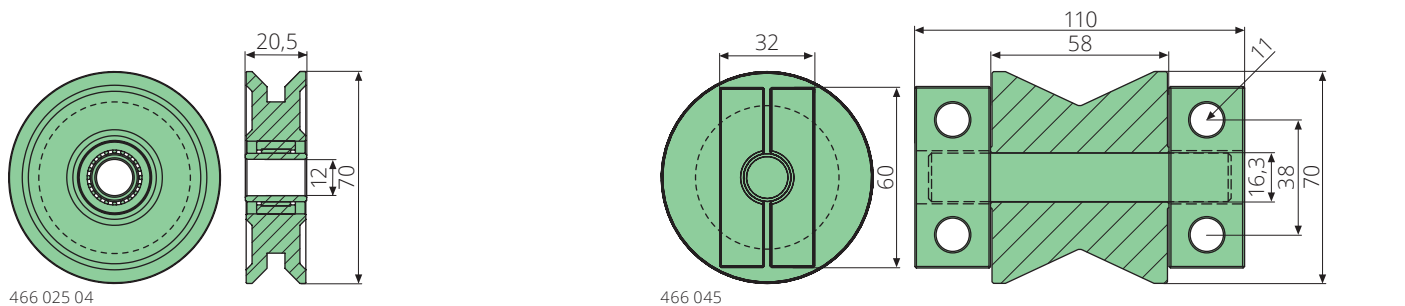
466 620

Article no.	Product	Description
466 622	Track roller complete	25-90-89mm, S355J2, with 2 Bearings 6205-2RS, for wire thrust
466 621	Track roller complete	100-270-110mm, 41CrAlMo7, with bearings, sealing ring, grease fitting & screws
466 620	Track roller complete	100-270-140mm, 41CrAlMo7, with bearings, sealing ring, grease fitting & screws

Type PRESONA

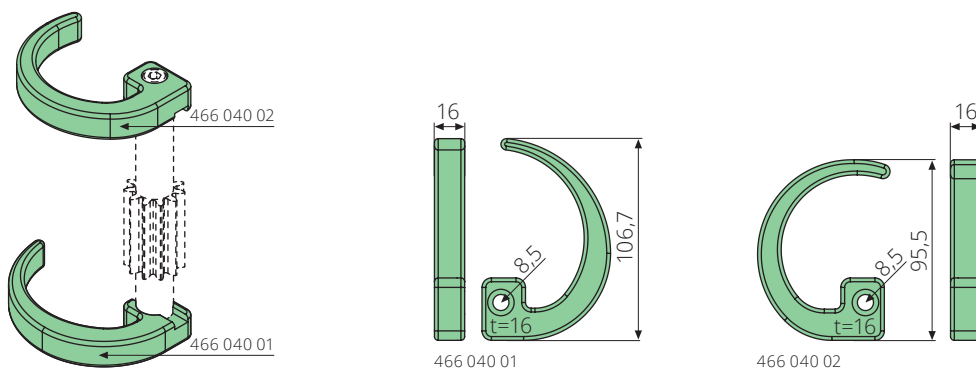


Article no.	Product	Description
466 025	Wire drawing needle complete	50x234mm, galvanized, with wire guide roller 466 025 04



Article no.	Product	Description
466 025 04	Wire guide roller	12-70-20,5mm, hardened, with needle bearing & bushing
466 045	Wire guide roller	16,3-70-59mm, hardened, with bearing & bolt
466 080	Wire guide roller	20-100-18mm, PA6

Article no.	Product	Description
466 000	Wire guide	80x36mm, hardened



Article no.	Product	Description
466 040 01	Twisting hook	16x106,7mm, S355J2
466 040 02	Twisting hook	16x95,5mm, S355J2

Custom order form


Office Richard-Wagner-Straße 51
 10585 Berlin | Germany
 Phone +49 (0)30 2000 578 80
 E-mail vertrieb@rewald.eu
 Internet www.rewald.eu

We are happy to accept special requests. We ask for as much information as possible so that we can make an offer.

If available, you can also send us the following by e-mail or post:

- detailed photos
- technical drawings, 3D models, detailed sketches
- sample parts
- reference to similar Rewald articles

Contact Person	
Address	
Phone	
E-mail	
Rewald Customer no.	

Product	
Material	
OEM no.	
Manufacturer	
Amount	
Sketch	

General terms & conditions REWALD GmbH

1. The customer declares himself in agreement with our standard terms and conditions when placing an order. Failure of the customer to reveal any particular terms of business on their side does not in any way imply our consent to them. In particular, the delivery or provision of services does not constitute implied acceptance of the customer's terms and conditions. Alterations, supplementary agreements and additions to the Standard Terms of Business require our written confirmation.

2. All offers are subject to change and are non-binding. All documents relating to these offers, including figures, drawings, weights or dimensions and including any other technical information and references to technical standards and designs merely indicate the object of the agreement and are subject to written confirmation of technical properties. All prices are quoted for deliveries ex-factory including loading in factory and excluding standard packaging and VAT. Our offers are based on the latest technical developments, the relevant accident prevention regulations, safety regulations etc at the time of making the offer.

3. For content and scope of the contract our written confirmation of the order is definitive. Supplementary agreements, additions etc require our written confirmation.

4. We only accept prepayment. Our request minimum value is 50 €.

5. In the event that after closing of contract we become aware of circumstances which substantially bring the credit-worthiness of the customer into question, or if payment terms are not met, we are entitled to demand at our discretion payment in advance of any liabilities arising out of the business relationship or to ask for appropriate securities.

6. If circumstances arising out of our control, including but not limited to operational disturbances, strikes or lock-outs, freight disruption and any other unforeseeable shortages which occur with our suppliers, and which cause the failure or delay of consignments or services, we reserve the right to deliver at a later date or to withdraw wholly or partly from the contract without the customer having the right to claim damages. In the event of a delay in delivery or services the customer is entitled to withdraw from the contract after the expiry of a reasonably extended deadline of at least 2 weeks. Any withdrawal from contract must take place through written declaration.

7. All shipments are insured. A statement of any damages or shortages to the consignment must be drawn up immediately after receipt. Liability for the risk of accidental damage passes to the purchaser when the consignment is handed over to the freight carrier, but at the latest when the consignment leaves the warehouse. Specific shipping instructions of the customer are only binding if agreed to in writing. Otherwise delivery will be made as we deem best and under exclusion of any liability for the choice of mode of shipment. Shipment takes place at the expense of the buyer. For orders within Germany with a minimum net value of 770 Euro freight delivery will not be charged.

8. The following conditions apply to our warranty and liability for defects in delivery or service, including incorrect delivery or performance: any claims must be made in writing within one week of receipt of goods or services. In the event of justified complaint, excluding the absence of guaranteed qualities, we reserve the right to remedy the defective delivery or service within a reasonable space of time. Where applicable, we may recall the defective goods and supply a replacement; we will not assume responsibility for the costs of assembly, disassembly, or installation. The customer is obliged to allow us the opportunity for rectification during normal working hours by prior agreement.

9. We retain title to all goods supplied pending full and complete payment and until all present and future claims arising out of the business relationship have been met. If the customer acquires sole or shared ownership on the basis of the joining, combining, mixing or processing of our consignment (with other consignments) then we shall have ownership to the ratio of the value of our consignment in relation to the other goods with which it is joined, combined or mixed. Any treatment or processing is covered according to Paragraph 950 BGB without any obligation on our part. Furthermore is any resale prohibited.

10. Only goods specifically listed on the delivery note can be returned. Goods which have been damaged are non-returnable. The cost and risks of return freighting of the returned goods will be borne by the customer. Returned goods will be refunded less a deduction of 20% of the purchase price.

11. The relinquishing of claims against the customer which are due to us in the business relationship is excluded.

12. We will only be liable for deliberate or gross negligence of our agents and senior management, or vicarious agents and assistants. Otherwise any claims for damages arising from fault during the contract negotiations, from actual breach of contract, arising out of a punishable act, or contractual rights (such as consultation or information about qualities, applications, service requirements etc) are ruled out. In particular we will only be liable for consultations for which a separate payment was agreed.

13. Place of dispatch for all shipments and payments is Berlin, Germany. Sole place of jurisdiction is Amtsgericht Berlin-Charlottenburg.

14. The contractual relationship is governed by German law. The application of the uniform law governing the international purchase of movable objects is excluded.

15. Should any of the above stated provisions be either fully or in part invalid, the validity of the remaining provisions of contract shall not in any way be affected.

Office Richard-Wagner-Straße 51 | 10585 Berlin | Germany

Warehouse Hafenstraße 1 | 16727 Velten | Germany

Phone +49 (0)30 2000 578 80

E-mail vertrieb@rewald.eu

Internet www.rewald.eu



Further Catalogs

